



Illustrated Parts Manual

Model **1930ES**

SN 0200239382 to 0200266334

SN 1200025021 to 1200034934

SN B200020297 to Present
Except PVC 1910 & PVC 2004 &
PVC 2010 & PVC 2104 Machines

SN M200000100 to M200040097
Excluding SN M200038006

P/N
3121681

March 15, 2021 - Rev S

ANSI

CE



AS/NZS



An Oshkosh Corporation Company

REVISION LOG

NOTES:

NOTE: Country of Manufacture - The ES Scissor Lifts are manufactured by JLG Industries in the following countries: USA, Belgium, China or Mexico. Refer to the Serial Number Tag to identify the country of manufacture. ES Scissors manufactured in the USA will have a serial number prefix of 02 (i.e. 02XXXXXXXX), ES Scissors manufactured in Belgium will have a prefix of 12 (i.e. 12XXXXXXXX), ES Scissors manufactured in China will have a serial number prefix of B2 (i.e. B2XXXXXXXX) and ES Scissors manufactured in Mexico will have a serial number prefix of M2 (i.e. M2XXXXXXXX).

NOTE: 1930ES Global Illustrated Parts Manual P/N 3121167 has been replaced by multiple manuals. Review machine SN and use the Global Illustrated Parts Manual for the correct serial number range: USA Built Machines Prior to SN 0200135154 - Use manual p/n 3121246.

USA Built Machines SN 0200135154 to SN 0200152824 - Use manual p/n 3121247.
USA Built Machines SN 0200152825 to SN 0200198013 - Use manual p/n 3121248.
USA Built Machines SN 0200198014 to SN 0200239381 - Use manual p/n 3121275.
USA Built Machines SN 0200239382 to Present - Use manual p/n 3121681
Belgium Built Machines Prior to SN 1200004293 - Use manual p/n 3121246.
Belgium Built Machines SN 1200004293 to SN 1200008480 - Use manual p/n 3121247.
Belgium Built Machines SN 1200008481 through SN 1200025020 - Use manual p/n 3121248.
Belgium Built Machines SN 1200025021 to Present - Use manual p/n 3121681.
China Built Machines SN B200000100 to SN B200020296 - Use manual p/n 3121275.
China Built Machines SN B200020297 to Present - Use manual p/n 3121681
Mexico Built Machines SN M200000100 to Present - Use manual p/n 3121681

MANUAL REVISION LOG:

July 1, 2015 - A - Original Issue of Manual (Edited to B/M 1001180000 Revision G)
September 15, 2015 - B - Revised Manual (Edited to B/M 1001180000 Revision W) (Revision 1)
December 2, 2015 - C - Revised Manual (Edited to B/M 1001180000 Revision X) (Revision 3)
March 21, 2016 - D - Revised Manual (Edited to B/M 1001180000 Revision AE) (Revision 2)
June 30, 2016 - E - Revised Manual (Edited to B/M 1001180000 Revision AI) (Revision 2)
September 9, 2016 - F - Revised Manual (Edited to B/M 1001180000 Revision AI) (Revision 2)
December 14, 2016 - G - Revised Manual (Edited to B/M 1001180000 Revision AI) (Revision 2)
March 15, 2017 - H - Revised Manual (Edited to B/M 1001180000 Revision AU and 1001215518 Revision B) (Revision 2)
June 2, 2017 - I - Revised Manual (Edited to B/M 1001180000 Revision AW and 1001215518 Revision B) (Revision 2)
August 4, 2017 - J - Revised Manual (Edited to B/M 1001180000 Revision AW and 1001215518 Revision B) (Revision 2)
November 10, 2017 - K - Revised Manual (Edited to B/M 1001180000 Revision AW and 1001215518 Revision B)
December 8, 2017 - L - Revised Manual (Edited to B/M 1001180000 Revision BA and 1001215518 Revision C) (Revision 2)

REVISION LOG

MANUAL REVISION LOG:

April 12, 2018 - M - Revised Manual (Edited to B/M 1001180000 Revision BF and 1001215518 Revision C) (Revision 1)

June 8, 2018 - N - Revised Manual (Edited to B/M 1001180000 Revision BF and 1001215518 Revision D) (Revision 2)

October 1, 2018 - O - Revised Manual (Edited to B/M 1001180000 Revision BL and 1001215518 Revision E) (Revision 1)

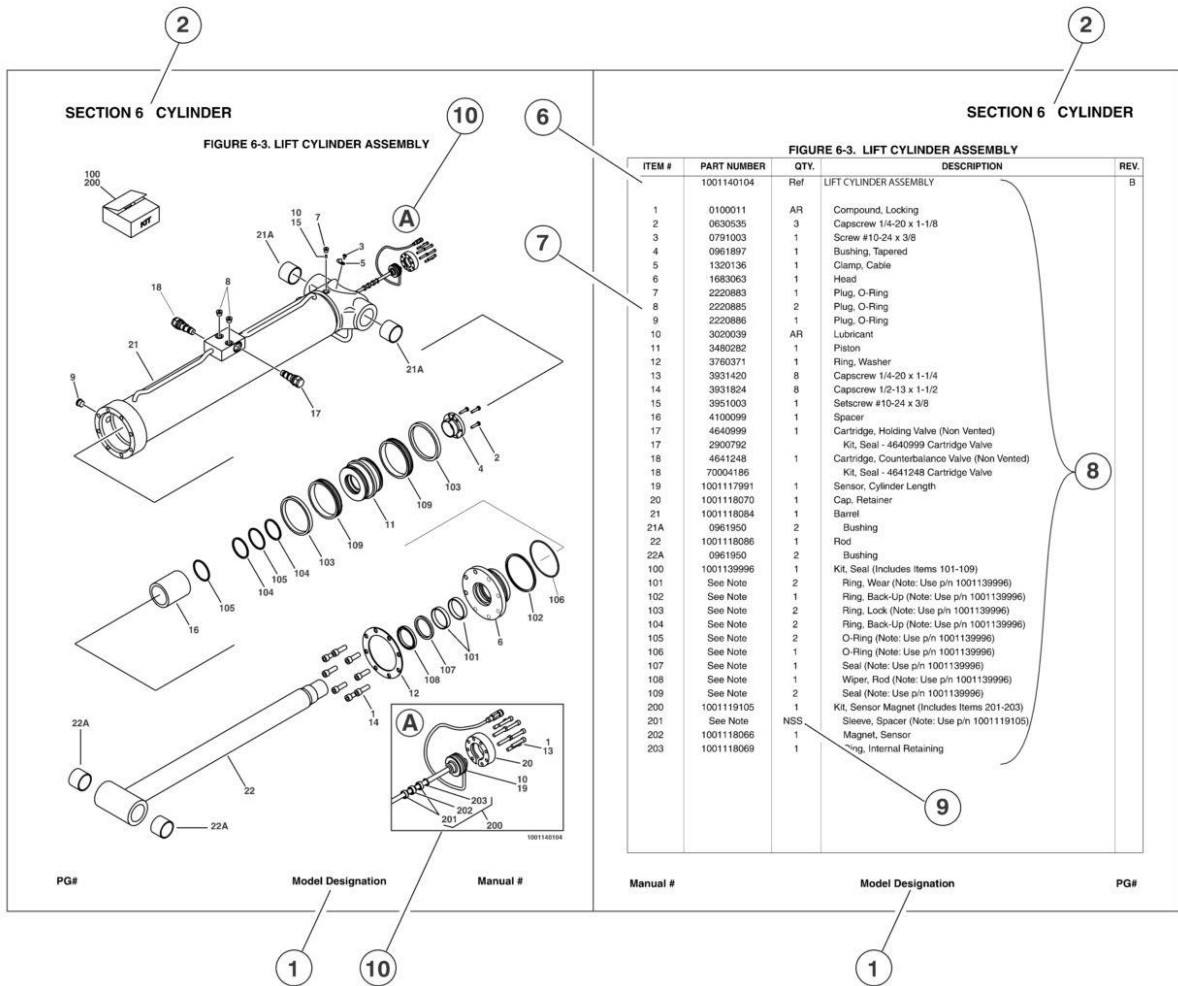
January 18, 2019 - P - Revised Manual (Edited to B/M 1001180000 Revision BP and 1001215518 Revision F)

April 16, 2020 - Q - Revised Manual (Edited to B/M 1001180000 Revision BP and 1001215518 Revision F)

August 10, 2020 - R - Revised Manual (Edited to B/M 1001180000 Revision BS and 1001215518 Revision M)

March 15, 2021 - S - Revised Manual (Edited to 1001180000 Rev BS and 1001215518 Rev M)

GENERAL INFORMATION



1) MACHINE IDENTIFICATION

Machines are identified by model and in some cases a combination of models, serial number (SN) or regional standard (i.e ANSI, CE, CSA). Components may also be identified by SN or manufacturer. Common components that may be identified by these characteristics are engines and hydraulic components.

2) PARTS MANUAL ORGANIZATION

Product information in this manual is organized under section titles. Frame, Cylinder, Hydraulic and Electrical are a few examples. Each section is organized by figure and page number. The information within the Figure is then organized by item number, part number, description and corresponding illustration (s).

3) TABLE OF CONTENTS

A table of contents is found toward the beginning of the manual. Figure number, description and page number are provided for quick reference to the page containing the related information.

4) RECOMMENDED SPARE PARTS

The Recommended Spare Parts, located near the end of the manual, reference most frequently used maintenance parts.

5) PART NUMBER INDEX

A numerical index listing all part numbers and the corresponding page number(s) appears at the back of the manual.

GENERAL INFORMATION

6) NON-SERVICED PARTS

In some instances, it is necessary to display non-serviced parts, assemblies or installations. In the case of assemblies and installations there will be a Ref in the Qty column. In case of parts that are not available for service within assemblies or components, there will be a NSS (Not Sold Separately) or NLA (No Longer Available) listed in the Qty. column of the manual.

7) PARTS LIST ITEM NUMBERS

Numbers shown in the item# column correspond to numbers used in the associated illustration (s). Item numbers which are missing from the sequence in the parts list are not used on that page

8) INDENTED PARTS DESCRIPTION

An indented part description is included in the item under which it is indented.

9) ABBREVIATION AND SYMBOLS

AC.....	.. Alternating Current	LCD	Liquid Crystal Display
ADE.....	..Advanced Design Electronics	LED	Light Emitting Diodes
ANSIAmerican National Standards Institute	LH.....	.. Left Hand
AR.....	..As Required	LSSLoad Sensing System
ASSY Assembly	M(m).....	.. Metric/Meter
AUX.....	..Auxiliary	MM (mm)Milimeter
AWG.....	..American WireGauge	mA.....	.. Milliamps
B/M.....	.. Bill of Material	NLA.....	..No Longer Available
CE.....	..European Conformity	NPT National Pipe T threads
CCWCounter Clockwise	NSSNot Sold Separately
cm.....	.. Centimeter	OD.....	..Outside Diameter
CW.....	..Clockwise	OR B.....	.. O-Ring Boss
CSA.....	..Canadian Standards Association	ORFS.....	.. O-Ring Face Seal
CYL.....	..Cylinder	OZ (oz).....	..Ounces
DIA.....	..Diameter	PGPage
DC.....	..Direct Current	P/N.....	..Part Number
EMS Emergency Stop	qt.....	..Quarts
ENGEngine	QTY.....	..Quantity
FT (ft).....	..Feet	REFReference
GA(Ga).....	..Gauge	REVRevision Level
HYDHydraulic	RH.....	.. Right Hand
Hz.....	.. Hertz	SAE.....	.. Society of Automotive Engineers
ID.....	..Inside Diameter	SN.....	..Serial Number
in.....	.. inches	SPEC(S).....	..Specifications
ISOInternational Organization for Standards	T/T.....	..Turntable
JIC.....	..Joint Industry Council	UGMUniversal Ground Module
KGKilogram	V.....	.. Volts
L.....	..Liter	W.....	.. Watts
LB.....	..Pounds	#.....	.. Number

10) ILLUSTRATION REFERENCE LETTERS

When necessary, illustrations may contain reference letters that are intended to track information (i. e. hoses, harnesses) from one point to another or to track visual enlargement of components to show details that may be located in another area on the illustration.

Note: Due to continuous product improvements, JLG Industries, Inc. reserves the right to make specification changes without prior notification. Contact JLG Industries, Inc. for updated information.

TABLE OF CONTENTS

SECTION 1 - FRAME.....	11
FIGURE 1-1. STEERING INSTALLATION (USA AND MEXICO BUILT MACHINES) (SN 0200239382 to Present, SN M200000100 through M200040097).....	12
FIGURE 1-2. STEERING INSTALLATION (BELGIUM AND CHINA BUILT MACHINES)	14
FIGURE 1-3. DRIVE HUB AND MODULE INSTALLATION	16
FIGURE 1-4. DRIVE HUB AND MODULE INSTALLATION (BELGIUM BUILT MACHINES ONLY)	18
FIGURE 1-5. DRIVE MOTOR/HUB ASSEMBLY	20
FIGURE 1-6. HUB ASSEMBLY - REAR	24
FIGURE 1-7. TIRE AND WHEEL ASSEMBLY (SOLIDEAL)	26
FIGURE 1-8. TIRE AND WHEEL ASSEMBLY (EXMILE).....	28
FIGURE 1-9. POTHOLE PROTECTION INSTALLATION - NON-UL	30
FIGURE 1-10. POTHOLE PROTECTION INSTALLATION - UL	32
FIGURE 1-11. BATTERY CHARGER INSTALLATION WITH 110V PLUG AND DELTA-Q CHARGER (ANSI, ANSI EXPORT, CSA, JAPANESE AND UL SPECS) (SN 0200239382 to Present, SN B200020297 through B200061738, SN M200000100 to Present, SN 1200025021 to Present)	34
FIGURE 1-12. BATTERY CHARGER INSTALLATION WITH 110V PLUG AND DELTA-Q CHARGER (ANSI, ANSI EXPORT, CSA, JAPANESE AND UL SPECS) (SN B200061739 to Present)	36
FIGURE 1-13. BATTERY CHARGER INSTALLATION WITH DELTA-Q CHARGER (ANSI, ANSI EXPORT, CSA AND CE SPECS) (SN 0200239382 to Present, SN B200020297 through B200061738, SN M200000100 to Present, SN 1200025021 to Present)	38
FIGURE 1-14. BATTERY CHARGER INSTALLATION WITH DELTA-Q CHARGER (ANSI, ANSI EXPORT, CSA AND CE SPECS) (SN B200061739 to Present)	40
FIGURE 1-15. CHARGER (INVERTER) INSTALLATION (ANSI, ANSI EXPORT AND CSA SPECS)BATTERY CHARGER INSTALLATION WITH LOCALLY SUPPLIED PLUG (AUSTRALIAN SPEC)	42
FIGURE 1-16. BATTERY CHARGER INSTALLATION WITH LOCALLY SUPPLIED PLUG (AUSTRALIAN SPEC) (SN 0200239382 to Present, SN B200020297 through B200061738, SN M200000100 to Present, SN 1200025021 to Present)	44
FIGURE 1-17. BATTERY CHARGER INSTALLATION WITH LOCALLY SUPPLIED PLUG (AUSTRALIAN SPEC) (SN B200061739 to Present).....	46
FIGURE 1-18. BATTERY CHARGER INSTALLATION WITH LOCALLY SUPPLIED PLUG (CHINESE SPEC).....	48
FIGURE 1-19. BATTERY CHARGER INSTALLATION – WITH VOLTAGE GUARD (LOCALLY SUPPLIED PLUG) (ANSI EXPORT AND KOREA SPECS).....	50
FIGURE 1-20. BATTERY CHARGER INSTALLATION – WITH VOLTAGE GUARD AND CHINESE PLUG (ANSI EXPORT, CHINESE AND KOREA SPECS)	52
FIGURE 1-21. BATTERY CHARGER INSTALLATION - EAGLE PERFORMANCE (ANSI AND CSA SPEC)	54
FIGURE 1-22. BATTERY CHARGER INSTALLATION WITH LOCALLY SUPPLIED - EAGLE PERFORMANCE (ANSI AND CSA SPEC).....	56
FIGURE 1-23. BATTERY CHARGER ASSEMBLY - DELTA-Q.....	58
FIGURE 1-24. BATTERY CHARGER ASSEMBLY EAGLE PERFORMANCE.....	60
FIGURE 1-25. BATTERY CHARGER INSTALLATION - GREEN POWER (CHINESE PLUG) (CHINESE SPECS).....	62
FIGURE 1-26. BEACON (AMBER) LIGHT INSTALLATION (OPTIONAL)	64
FIGURE 1-27. LADDER INSTALLATION - 1930ES	66
SECTION 2 - GROUND COMPONENTS.....	69
FIGURE 2-1. GROUND CONTROL BOX/ALARM INSTALLATION - NO LSS (SN 0200239382 to Present, SN B200023285 to Present, SN M200000100 through M200040097)	70
FIGURE 2-2. GROUND CONTROL BOX/ALARM INSTALLATION - NO LSS (SN B200020297 through B200023284)	72
FIGURE 2-3. GROUND CONTROL BOX/ALARM INSTALLATION - LSS (ALL SPECS EXCEPT CE SPECS) (SN 0200239382 to Present, SN B200023285 to Present, SN M200000100 through M200040097)	74
FIGURE 2-4. GROUND CONTROL BOX/ALARM INSTALLATION - LSS (ALL SPECS EXCEPT CE SPECS) (SN B200020297 through B200023284).....	76
FIGURE 2-5. GROUND CONTROL BOX/ALARM INSTALLATION - LSS (CE SPEC) (SN 0200239382 through 0200241828) ..	78
FIGURE 2-6. GROUND CONTROL BOX/ALARM INSTALLATION - LSS (CE SPEC) (SN B200020297 through B200021650) ..	80
FIGURE 2-7. GROUND CONTROL BOX/ALARM INSTALLATION - LSS (CE SPECS) (SN 0200241829 to Present, SN B200021651 to Present, SN M200000100 through M200040097)	82
FIGURE 2-8. GROUND CONTROL BOX/ALARM INSTALLATION - LSS (CE SPECS) (SN 1200025022 to Present)	84
FIGURE 2-9. GROUND CONTROL BOX ASSEMBLY - NO LSS (SN 0200239382 to Present, SN B200023285 to Present, SN M200000100 through M200040097).....	86
FIGURE 2-10. GROUND CONTROL BOX ASSEMBLY - NO LSS (SN B200020297 through B200023284).....	88
FIGURE 2-11. GROUND CONTROL BOX ASSEMBLY - LSS (ALL SPECS EXCEPT CE) (SN 0200239382 to Present, SN B200023285 to Present, SN M200000100 through M200040097)	90
FIGURE 2-12. GROUND CONTROL BOX ASSEMBLY - LSS (ALL SPECS EXCEPT CE) (SN B200020297 through B200023284)	92
FIGURE 2-13. GROUND CONTROL BOX ASSEMBLY - LSS (CE SPECS) (SN 0200239382 through 0200241828)	94
FIGURE 2-14. GROUND CONTROL BOX ASSEMBLY - LSS (CE SPECS) (SN B200020297 through B200021650)	96

TABLE OF CONTENTS

FIGURE 2-15. GROUND CONTROL BOX ASSEMBLY - LSS (CE SPECS) (SN 0200241829 to Present, SN 1200025021 to Present, SN B200021651 to Present, SN M200000100 through M200040097)	98
FIGURE 2-16. BATTERIES INSTALLATION - AGM AND EVG TYPE - 225 AH RATING (NON-LOCKING COVERS)	100
FIGURE 2-17. BATTERIES INSTALLATION - AGM AND EVG TYPE - 225 AH RATING (NON-UL LOCKING COVERS).....	102
FIGURE 2-18. BATTERIES INSTALLATION - AGM AND EVG TYPE - 225 AH RATING (UL LOCKING COVERS).....	104
FIGURE 2-19. BATTERIES INSTALLATION - AGM VISION AND EVG TYPE - 220 AH RATING (NON-LOCKING COVERS) ..	106
FIGURE 2-20. BATTERIES INSTALLATION - AGM VISION AND EVG TYPE - 220 AH RATING (NON-UL LOCKING COVERS)	108
FIGURE 2-21. BATTERIES INSTALLATION - GC TYPE - 225 AH RATING (NON-LOCKING COVERS)	110
FIGURE 2-22. BATTERIES INSTALLATION - GC TYPE - 225 AH RATING (NON-UL LOCKING COVERS).....	112
FIGURE 2-23. BATTERIES INSTALLATION - GC TYPE - 225 AH RATING (UL LOCKING COVERS).....	114
FIGURE 2-24. BATTERIES INSTALLATION - 220 AH RATING WITHOUT BATTERIES (NON LOCKING COVERS).....	116
FIGURE 2-25. BATTERY TRAY ASSEMBLY - NON-UL	118
FIGURE 2-26. BATTERY TRAY ASSEMBLY - UL	120
FIGURE 2-27. BATTERY COVER ASSEMBLY - NON-LOCKING.....	122
FIGURE 2-28. BATTERY COVER ASSEMBLY - LOCKING.....	124
FIGURE 2-29. BRAKE DISCONNECT AND MDI (MULTIFUNCTION DIGITAL INDICATOR) GAUGE INSTALLATION	126
FIGURE 2-30. BRAKE CABLE INSTALLATION (OPTIONAL).....	128
SECTION 3 - SCISSOR ARMS	131
FIGURE 3-1. SCISSORS ARMS INSTALLATION - 1930ES STANDARD HYDRAULIC OIL (USA AND MEXICO BUILT MACHINES) (SN 0200239382 to Present, SN M200000100 through M200040097).....	132
FIGURE 3-2. SCISSORS ARMS ASSEMBLY - 1930ES STANDARD HYDRAULIC OIL (USA AND MEXICO BUILT MACHINES) (SN 0200239382 to Present, SN M200000100 through M200040097)	134
FIGURE 3-3. SCISSORS ARMS INSTALLATION - 1930ES STANDARD HYDRAULIC OIL (BELGIUM AND CHINA BUILT MACHINES)	136
FIGURE 3-4. SCISSORS ARMS ASSEMBLY - 1930ES STANDARD HYDRAULIC OIL (BELGIUM AND CHINA BUILT MACHINES)	138
FIGURE 3-5. SCISSORS ARMS INSTALLATION - 1930ES BIODEGRADABLE HYDRAULIC OIL (CHINA BUILT MACHINES)	140
FIGURE 3-6. SCISSORS ARMS ASSEMBLY - 1930ES BIODEGRADABLE HYDRAULIC OIL (CHINA BUILT MACHINES).....	142
FIGURE 3-7. SCISSORS ARMS INSTALLATION - 1930ES BIODEGRADABLE HYDRAULIC OIL (USA BUILT MACHINES)	144
FIGURE 3-8. SCISSORS ARMS ASSEMBLY - 1930ES BIODEGRADABLE HYDRAULIC OIL (USA BUILT MACHINES).....	146
SECTION 4 - PLATFORM.....	149
FIGURE 4-1. PLATFORM INSTALLATION - WITH INSIDE EXTENSION RAILS AND WITHOUT LSS	150
FIGURE 4-2. PLATFORM INSTALLATION - WITH OUTSIDE EXTENSION RAILS AND WITHOUT LSS.....	152
FIGURE 4-3. PLATFORM INSTALLATION - WITH INSIDE EXTENSION RAILS AND WITH LSS	154
FIGURE 4-4. PLATFORM INSTALLATION - WITH OUTSIDE EXTENSION RAILS AND WITH LSS	156
FIGURE 4-5. PLATFORM AND EXTENSION ASSEMBLY - WITH INSIDE EXTENSION RAILS	158
FIGURE 4-6. PLATFORM AND EXTENSION ASSEMBLY - WITH OUTSIDE EXTENSION RAILS	160
FIGURE 4-7. LATCH ASSEMBLY - WITH INSIDE EXTENSION RAILS (SN 1200025021 through 1200030223, SN B200020297 through B200051193, SN M200000100 through M200021475)	162
FIGURE 4-8. LATCH ASSEMBLY - WITH INSIDE EXTENSION RAILS (SN 1200030224 to Present, SN B200051194 to Present, SN M200021476 through M200040097)	164
FIGURE 4-9. LATCH ASSEMBLY - WITH OUTSIDE EXTENSION RAILS	166
FIGURE 4-10. RAILS INSTALLATION - WITH INSIDE EXTENSION RAILS AND CHAIN GATE	168
FIGURE 4-11. RAILS INSTALLATION - WITH INSIDE EXTENSION RAILS, HANDLE AND CHAIN GATE	170
FIGURE 4-12. RAIL KIT - WITH INSIDE EXTENSION RAILS AND CHAIN GATE.....	172
FIGURE 4-13. RAIL KIT - WITH INSIDE EXTENSION RAILS, HANDLE AND CHAIN GATE	174
FIGURE 4-14. RAILS INSTALLATION - WITH INSIDE EXTENSION RAILS AND SELF CLOSING GATE	176
FIGURE 4-15. RAILS INSTALLATION - WITH INSIDE EXTENSION RAILS, HANDLE AND SELF CLOSING GATE	178
FIGURE 4-16. RAILS INSTALLATION - WITH OUTSIDE EXTENSION RAILS AND SELF CLOSING GATE	180
FIGURE 4-17. RAIL KIT - WITH INSIDE EXTENSION RAILS AND SELF CLOSING GATE.....	182
FIGURE 4-18. RAIL KIT - WITH INSIDE EXTENSION RAILS, HANDLE AND SELF CLOSING GATE	184
FIGURE 4-19. RAIL KIT - WITH OUTSIDE EXTENSION RAILS AND SELF CLOSING GATE.....	186
FIGURE 4-20. RAILS INSTALLATION - WITH INSIDE EXTENSION RAILS AND SELF CLOSING GATE	188
FIGURE 4-21. RAILS INSTALLATION - WITH INSIDE EXTENSION RAILS, HANDLE AND SELF CLOSING GATE	190
FIGURE 4-22. RAILS INSTALLATION - WITH OUTSIDE EXTENSION RAILS AND SELF CLOSING GATE	192
FIGURE 4-23. RAIL KIT - WITH INSIDE EXTENSION RAILS AND SELF CLOSING GATE.....	194
FIGURE 4-24. RAIL KIT - WITH INSIDE EXTENSION RAILS, HANDLE AND SELF CLOSING GATE	196
FIGURE 4-25. RAIL KIT - WITH OUTSIDE EXTENSION RAILS AND SELF CLOSING GATE.....	198
FIGURE 4-26. PLATFORM CONSOLE ASSEMBLY	200
FIGURE 4-27. PLATFORM CONSOLE ASSEMBLY	202
FIGURE 4-28. DRIVE/STEER CONTROLLER ASSEMBLY	204

TABLE OF CONTENTS

FIGURE 4-29. PLATFORM CONSOLE HANGER INSTALLATION (OPTIONAL)	206
FIGURE 4-30. WORKSTATION WITHOUT DC CONVERTER INSTALLATION.....	208
FIGURE 4-31. WORKSTATION WITH DC CONVERTER INSTALLATION	210
FIGURE 4-32. ELECTRICIAN'S TREE INSTALLATION	212
FIGURE 4-33. LOW HEIGHT DRIVE CUTOUT (JAPANESE & KOREAN SPECS).....	214
FIGURE 4-34. OVERHEAD PROTECTION AND LOW HEIGHT DRIVE CUTOUT (KOREA SPECS ONLY).....	216
FIGURE 4-35. OVERHEAD SWITCH KIT (FRONT).....	218
FIGURE 4-36. PANEL INSTALLATION (AUSTRALIAN AND CE SPECS)	220
FIGURE 4-37. PIPE RACK INSTALLATION (AUSTRALIAN AND CE SPECS)	222
FIGURE 4-38. QUIK WELDER INSTALLATION.....	224
FIGURE 4-39. QUIK WELDER READY INSTALLATION	226
SECTION 5 - CYLINDER	229
FIGURE 5-1. LIFT CYLINDER ASSEMBLY- 1930ES (TEXAS HYDRAULICS)	230
FIGURE 5-2. LIFT CYLINDER ASSEMBLY - 1930ES WITH STANDARD HYDRAULIC OIL (SERTA) (SN 0200239382 through 0200258871, SN B200020297 through B200032100, SN M200000100 through M200003501)	234
FIGURE 5-3. LIFT CYLINDER ASSEMBLY - 1930ES WITH STANDARD HYDRAULIC OIL (SERTA) (SN 0200258872 to Present, SN B200032101 to Present, SN M200003501 through M200040097)	238
FIGURE 5-4. LIFT CYLINDER ASSEMBLY - 1930ES WITH STANDARD HYDRAULIC OIL (SH-PAC) (SN 0200239382 through 0200258871, SN B200020297 through B200032100, SN M200000100 through M200003501)	242
FIGURE 5-5. LIFT CYLINDER ASSEMBLY - 1930ES WITH STANDARD HYDRAULIC OIL (SH-PAC) (SN 0200258872 to Present, SN 1200025021 to Present, SN B200032101 to Present, SN M200003502 through M200040097).....	246
FIGURE 5-6. LIFT CYLINDER ASSEMBLY - 1930ES WITH BIODEGRADABLE HYDRAULIC OIL (SERTA).....	250
FIGURE 5-7. LIFT CYLINDER ASSEMBLY - 1930ES WITH BIODEGRADABLE HYDRAULIC OIL (SH-PAC).....	254
FIGURE 5-8. STEER CYLINDER ASSEMBLY (SERTA)	258
FIGURE 5-9. STEER CYLINDER ASSEMBLY (SH-PAC).....	260
SECTION 6 - HYDRAULIC	263
FIGURE 6-1. HYDRAULIC DIAGRAM LIST	264
SECTION 7 - ELECTRICAL	265
FIGURE 7-1. ELECTRICAL DIAGRAM LIST.....	266
FIGURE 7-2. AC BOX AT PLATFORM INSTALLATION - 110V GFI.....	268
FIGURE 7-3. AC BOX AT PLATFORM INSTALLATION - 220V CEE7 SIDE (ANSI EXPORT SPEC ONLY)	270
FIGURE 7-4. AC BOX AT PLATFORM INSTALLATION - 110V IEC YELLOW (CE SPEC ONLY)	272
FIGURE 7-5. AC BOX AT PLATFORM INSTALLATION - 220V IEC BLUE (CE SPEC ONLY)	274
FIGURE 7-6. AC BOX AT PLATFORM INSTALLATION - 220V AFSINT107 (CE SPEC ONLY)	276
FIGURE 7-7. AC BOX AT PLATFORM INSTALLATION - 220V CEE7 SIDE GRD (CE SPEC ONLY)	278
FIGURE 7-8. AC BOX AT PLATFORM INSTALLATION - 220V CEE7 POST GRD (CE SPEC ONLY).....	280
FIGURE 7-9. AC BOX AT PLATFORM INSTALLATION - 220V (CHINESE SPEC ONLY).....	282
FIGURE 7-10. BATTERY CABLE KIT	284
FIGURE 7-11. BRAKE DISCONNECT HARNESS.....	286
FIGURE 7-12. BREAKER BOX KIT WITH TWO BREAKERS (CE SPEC ONLY)	288
FIGURE 7-13. BREAKER BOX KIT WITH THREE BREAKERS (CE SPEC ONLY)	290
FIGURE 7-14. CABLES INSTALLATION	292
FIGURE 7-15. CABLES INSTALLATION	294
FIGURE 7-16. CABLES INSTALLATION	296
FIGURE 7-17. CABLES INSTALLATION	298
FIGURE 7-18. CABLES INSTALLATION	300
FIGURE 7-19. CABLES INSTALLATION	302
FIGURE 7-20. CHARGER CORD PLUG INSTALLATION - 110V IEC YELLOW (CE SPEC ONLY)	304
FIGURE 7-21. CHARGER CORD PLUG INSTALLATION - 220V IEC BLUE (CE SPEC).....	306
FIGURE 7-22. CHARGER CORD PLUG INSTALLATION - 220V AFSINT 107 (CE SPEC)	308
FIGURE 7-23. CHARGER CORD PLUG INSTALLATION - 220V CEE7 POST GROUND (CE SPEC)	310
FIGURE 7-24. CHARGER CORD PLUG INSTALLATION - 220V POST GROUND (CE SPEC)	312
FIGURE 7-25. CHARGER CORD PLUG INSTALLATION (KOREA SPEC).....	314
FIGURE 7-26. CHASSIS HARNESS (SN 0200239382 to Present, SN B200020297 through B200061738, SN M200000100 to Present, SN 1200025021 to Present)	316
FIGURE 7-27. CHASSIS HARNESS (SN B200061739 to Present)	318
FIGURE 7-28. CHASSIS HARNESS - UL MACHINES	320
FIGURE 7-29. CYLINDER HARNESS.....	322
FIGURE 7-30. DRIVE CABLE ASSEMBLY	324
FIGURE 7-31. DRIVE FIELD CONNECTION HARNESS.....	326
FIGURE 7-32. GROUND CONTROL BOX HARNESS (SN B200020297 through B200023284).....	328

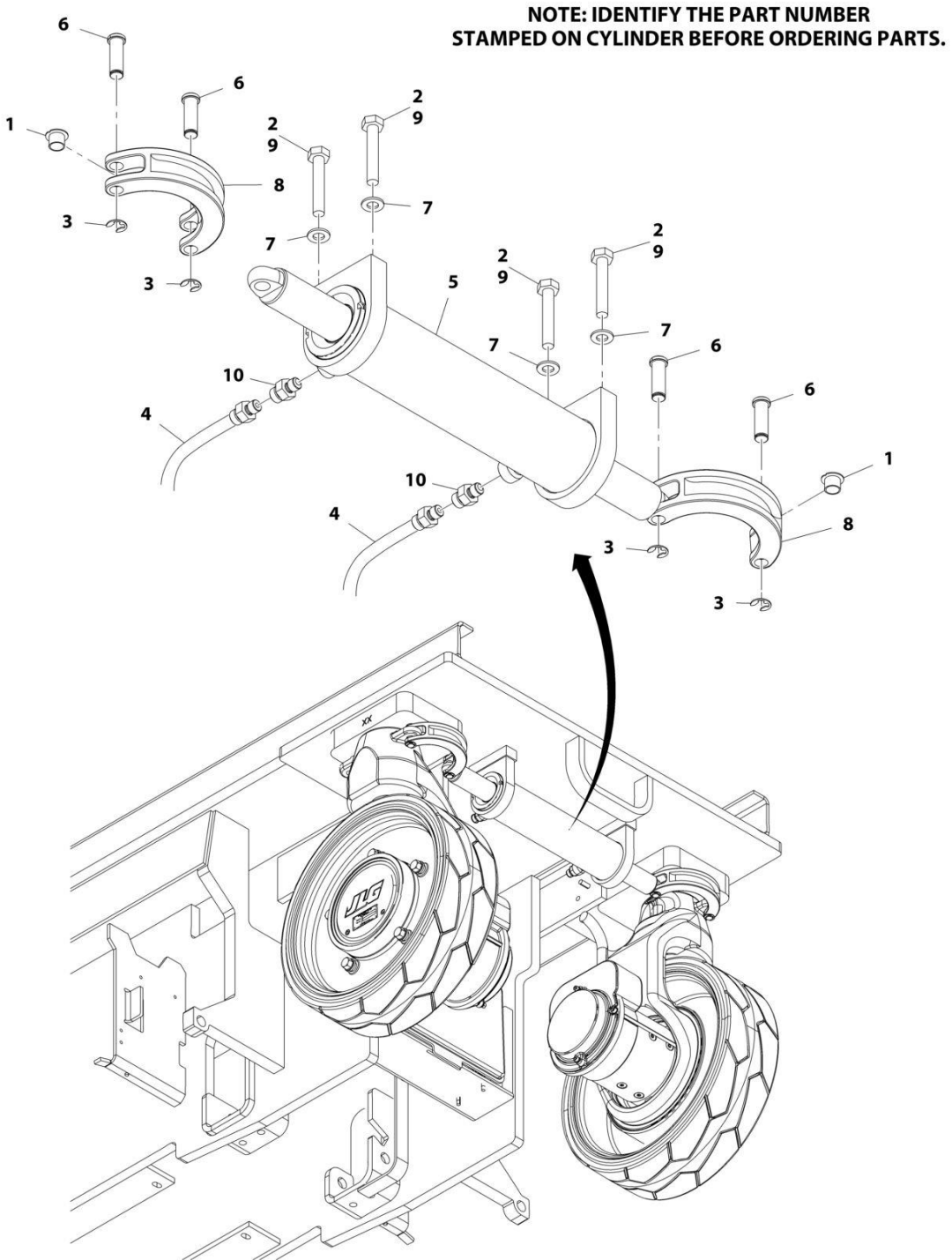
TABLE OF CONTENTS

FIGURE 7-33. GROUND CONTROL BOX HARNESS (SN 0200239382 to Present, SN 1200025021 to Present, SN B200023285 to Present, SN M200000100 through M200040097)	330
FIGURE 7-34. GROUND CONTROL BOX HARNESS - NO LSS (SN 0200266380 to Present, SN B200042931 to Present, SN M200012180 through M200040097)	332
FIGURE 7-35. GROUND TO PLATFORM HARNESS	334
FIGURE 7-36. GROUND TO PLATFORM HARNESS	336
FIGURE 7-37. LOAD SENSE HARNESS WITHOUT FUSE	338
FIGURE 7-38. LOAD SENSE HARNESS WITH FUSE	340
FIGURE 7-39. MDI (MULTIFUNCTION DIGITAL INDICATOR) HARNESS	342
FIGURE 7-40. PLATFORM BOX HARNESS	344
FIGURE 7-41. PLATFORM CABLE ASSEMBLY (SN 0200239382 through 0200262428, SN 1200025021 to Present, SN B200020297 to Present, SN M200000100 through M200010194)	346
FIGURE 7-42. PLATFORM CABLE ASSEMBLY (SN 0200262429 to Present, SN M200010195 through M200040097)	348
FIGURE 7-43. PUMP POWER CABLE ASSEMBLY	350
FIGURE 7-44. RECEPTACLE BOX KIT – 110V GFI	352
FIGURE 7-45. RECEPTACLE BOX KIT – 110V IEC YELLOW (CE SPEC)	354
FIGURE 7-46. RECEPTACLE BOX KIT – 220V IEC BLUE (CE SPEC)	356
FIGURE 7-47. RECEPTACLE BOX KIT – 220V AFSINT 107 (CE SPEC)	358
FIGURE 7-48. RECEPTACLE BOX KIT – 220V CEE7 SIDE GROUND (CE SPEC)	360
FIGURE 7-49. RECEPTACLE BOX KIT – 220V CEE7 POST GROUND (CE SPEC)	362
FIGURE 7-50. WORKSTATION POWER HARNESS	364
SECTION 8 - DECALS	367
FIGURE 8-1. DECAL INSTALLATION - ANSI SPEC (ENGLISH)	368
FIGURE 8-2. DECAL INSTALLATION - AUSTRALIAN SPEC (ENGLISH)	370
FIGURE 8-3. DECAL INSTALLATION - BRAZIL SPEC (PORTUGUESE/SPANISH)	372
FIGURE 8-4. DECAL INSTALLATION - CE SPEC (ENGLISH)	374
FIGURE 8-5. DECAL INSTALLATION - CHINA SPEC (GB)	376
FIGURE 8-6. DECAL INSTALLATION - CHINESE SPEC (CHINESE/ENGLISH)	378
FIGURE 8-7. DECAL INSTALLATION - CSA SPEC (ENGLISH/FRENCH)	380
FIGURE 8-8. DECAL INSTALLATION - KOREAN SPEC (KOREAN/ENGLISH)	382
FIGURE 8-9. DECAL INSTALLATION - LATIN AMERICAN SPEC (ENGLISH/SPANISH)	384
FIGURE 8-10. DECAL INSTALLATION - OPTIONS	386
SECTION 9 - RECOMMENDED SERVICE PARTS STOCK	389
FIGURE 9-1. RECOMMENDED SERVICE PARTS STOCK	390
SECTION 10 - SPECIAL OPTIONS	391
FIGURE 10-1. SPECIAL OPTIONS	392
PART NUMBER INDEX	397

SECTION 1 - FRAME

SECTION 1 - FRAME

FIGURE 1-1. STEERING INSTALLATION (USA AND MEXICO BUILT MACHINES) (SN 0200239382 to Present, SN M200000100 through M200040097)



ART_1001157326

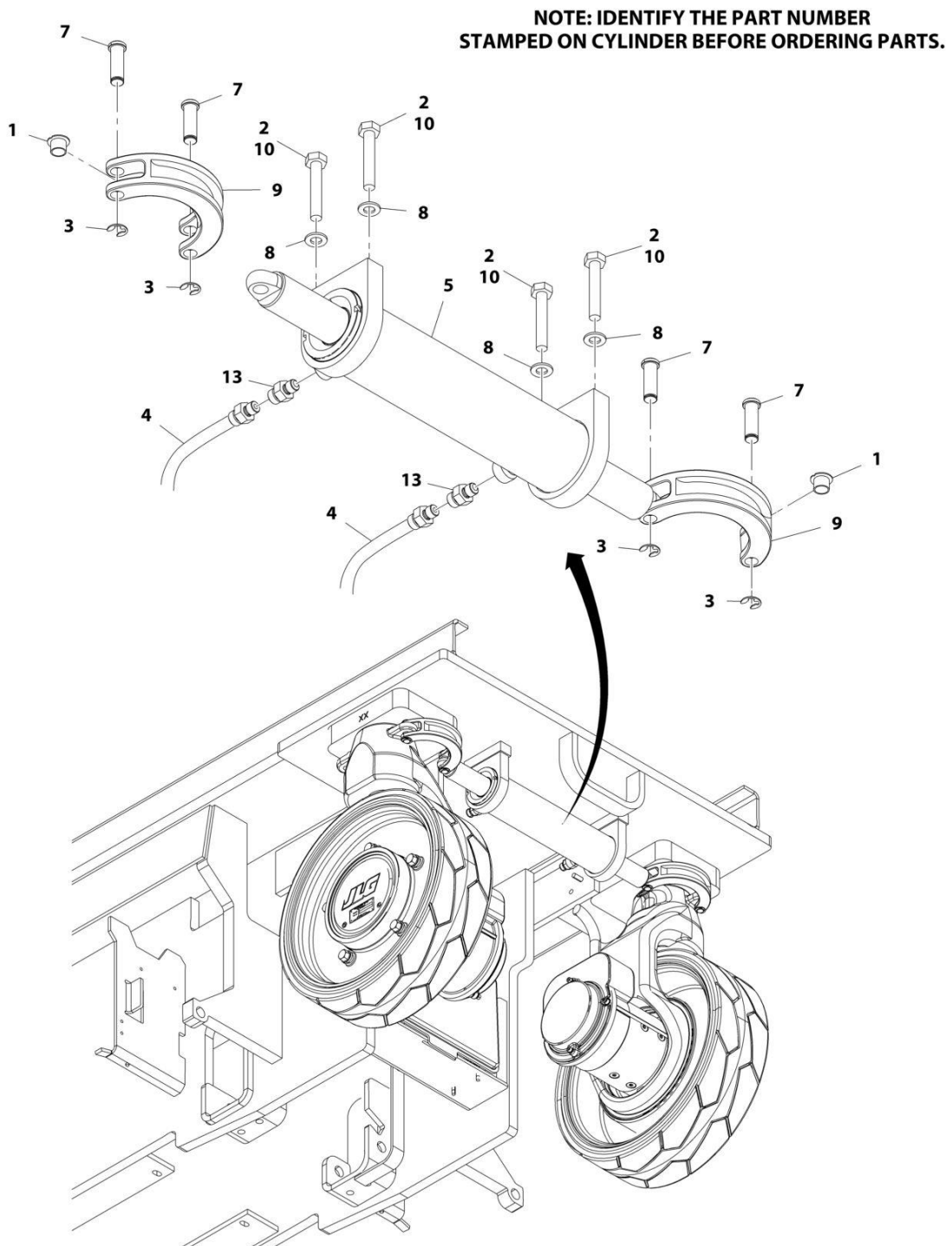
SECTION 1 - FRAME

FIGURE 1-1. STEERING INSTALLATION (USA AND MEXICO BUILT MACHINES) (SN 0200239382 to Present, SN M200000100 through M200040097)

ITEM	PART NUMBER	QTY	DESCRIPTION	REV
	1001157326	Ref	STEERING INSTALLATION	B
1	0440259	2	Bearing	
2	0701016	4	Bolt M10 x 40	
3	1380153	4	Clip	
4	2755056	2	Hose Assembly	
5	1001155850	1	Steer Cylinder Assembly (See CYLINDER SECTION for Breakdown)	
6	3423037	4	Pin, Clevis	
7	4812000	4	Washer M10	
8	4846757	2	Lug, Steer	
9	0100011	AR	Compound, Locking	
10	2110404	2	Fitting, Straight ORFS/ORB	

SECTION 1 - FRAME

FIGURE 1-2. STEERING INSTALLATION (BELGIUM AND CHINA BUILT MACHINES)



ART_1001131074

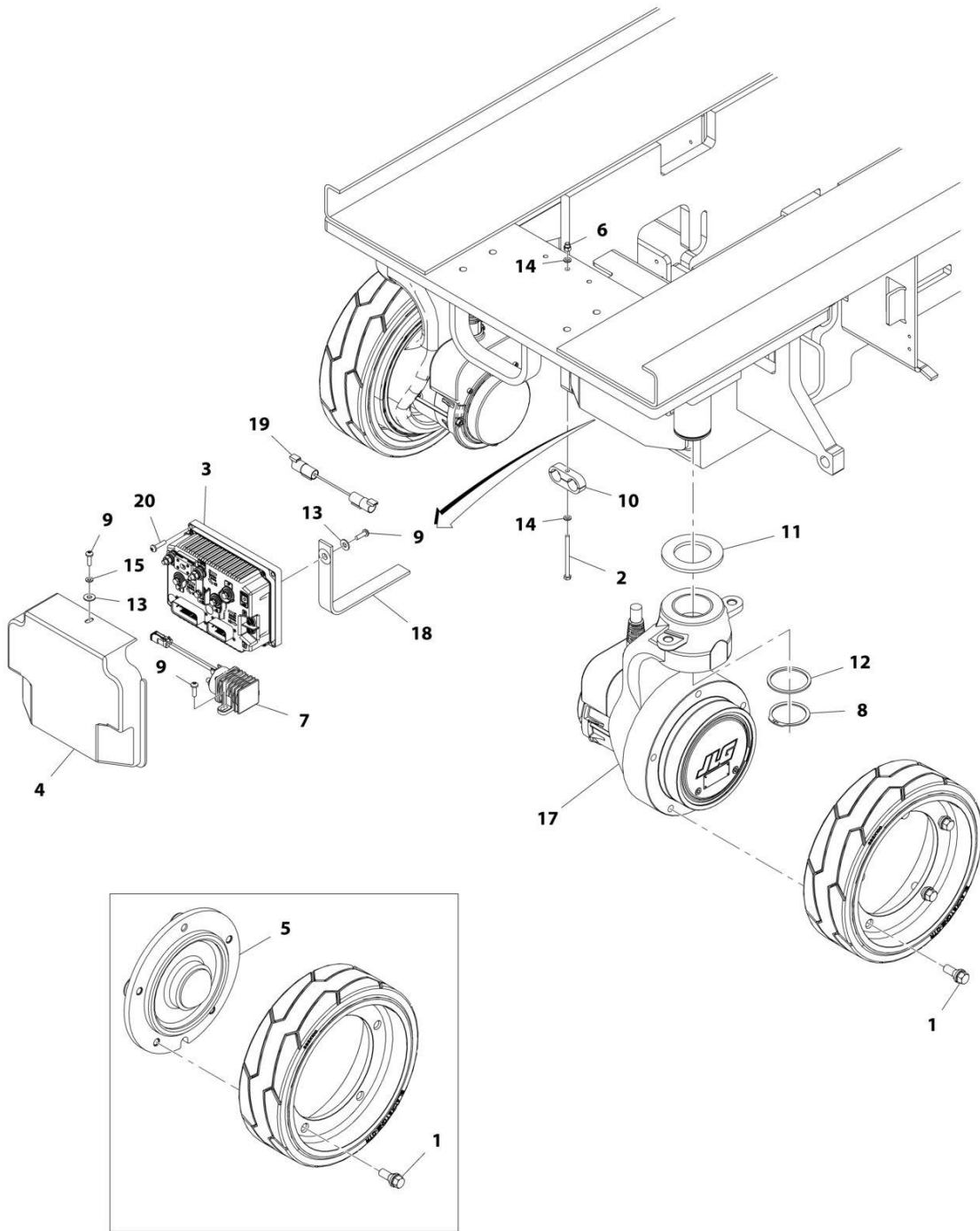
SECTION 1 - FRAME

FIGURE 1-2. STEERING INSTALLATION (BELGIUM AND CHINA BUILT MACHINES)

ITEM	PART NUMBER	QTY	DESCRIPTION	REV
	1001131074	Ref	STEERING INSTALLATION	B
1	0440259	2	Bearing, Flange	
2	0701016	4	Bolt M10 x 40	
3	1380153	4	Clip	
4	2755056	2	Hose Assembly	
5	1001129267	1	Steer Cylinder Assembly (See Separate Breakdown in CYLINDER SECTION)	
7	3423037	4	Pin, Clevis	
8	4812000	4	Washer M10	
9	4846757	2	Lug, Steer	
10	0100011	AR	Compound, Locking	
13	2110404	2	Fitting, Straight ORFS/ORB	

SECTION 1 - FRAME

FIGURE 1-3. DRIVE HUB AND MODULE INSTALLATION



REAR WHEEL SHOWN HERE FOR CLARITY

ART_1001117032

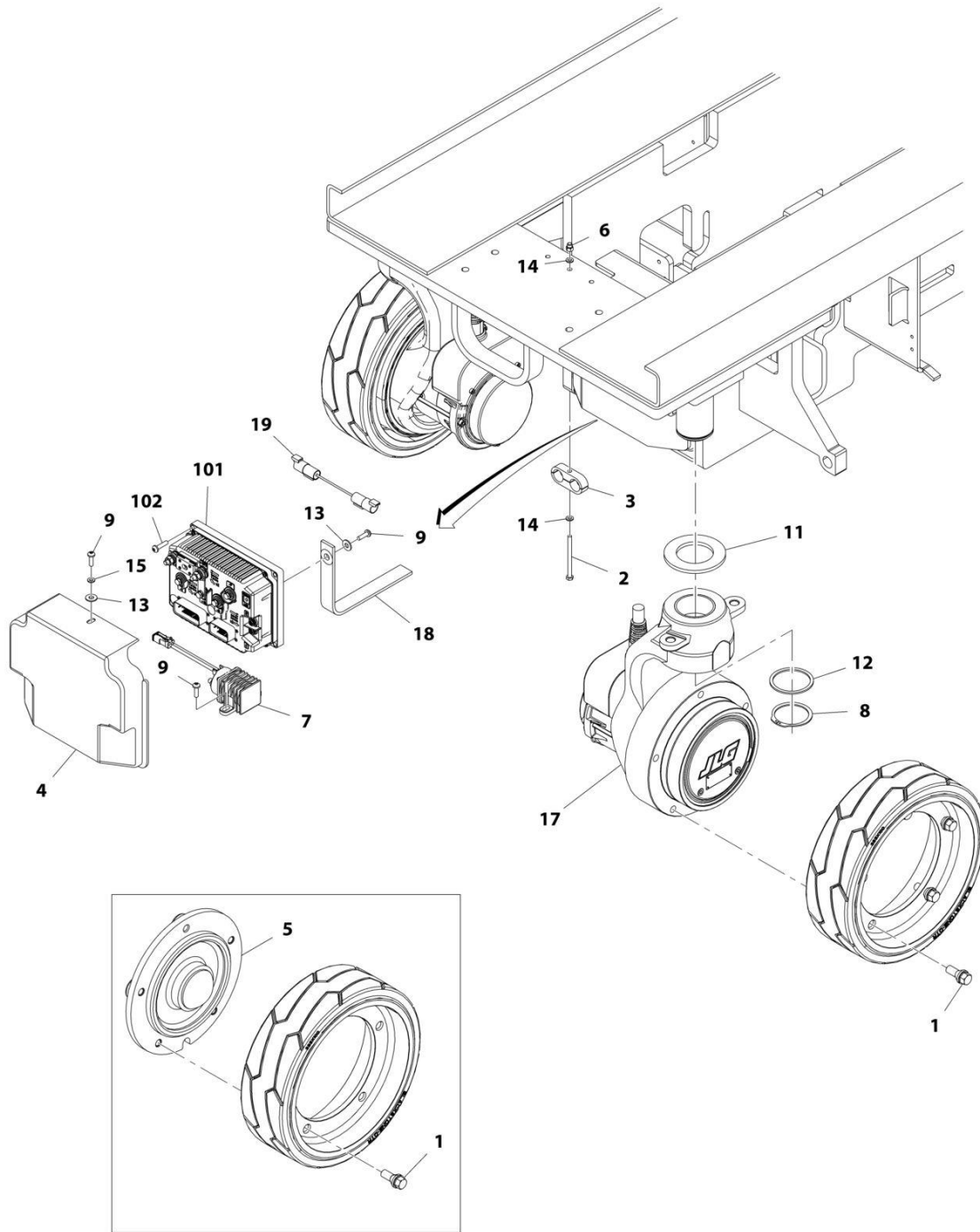
SECTION 1 - FRAME

FIGURE 1-3. DRIVE HUB AND MODULE INSTALLATION

ITEM	PART NUMBER	QTY	DESCRIPTION	REV
	1001117032	Ref	DRIVE HUB AND MODULE INSTALLATION	B
1	0630580	20	Bolt, Wheel	
2	0700624	1	Bolt M6 x 80	
3	1001092456	1	Module, Control	
4	1001115170	1	Cover	
5	2780266	2	Hub Assembly - Rear (See HUB ASSEMBLY - REAR for Breakdown)	
6	3290606	1	Nut M6	
7	3740150	1	Relay	
7	4460891	1	Connector - 2 Position	
8	3760463	2	Ring, Retaining	
9	4191708	4	Screw M6 x 20	
10	1001094301	1	Clamp	
11	4740524	2	Washer, Thrust	
12	4740564	2	Washer	
13	4751400	2	Washer 1/4	
14	4811700	2	Washer M6	
15	4831700	1	Lockwasher, M6	
17	1001092737	2	Drive Motor Assembly (See Separate Breakdown in this Section)	
18	4240147	1	Strap, Anti-Static	
19	4923602	1	Harness, Field Wire Connection (See Separate Breakdown in ELECTRICAL SECTION)	
20	4191709	4	Screw M6 x 25	

SECTION 1 - FRAME

FIGURE 1-4. DRIVE HUB AND MODULE INSTALLATION (BELGIUM BUILT MACHINES ONLY)



REAR WHEEL SHOWN HERE FOR CLARITY

ART_1001219122

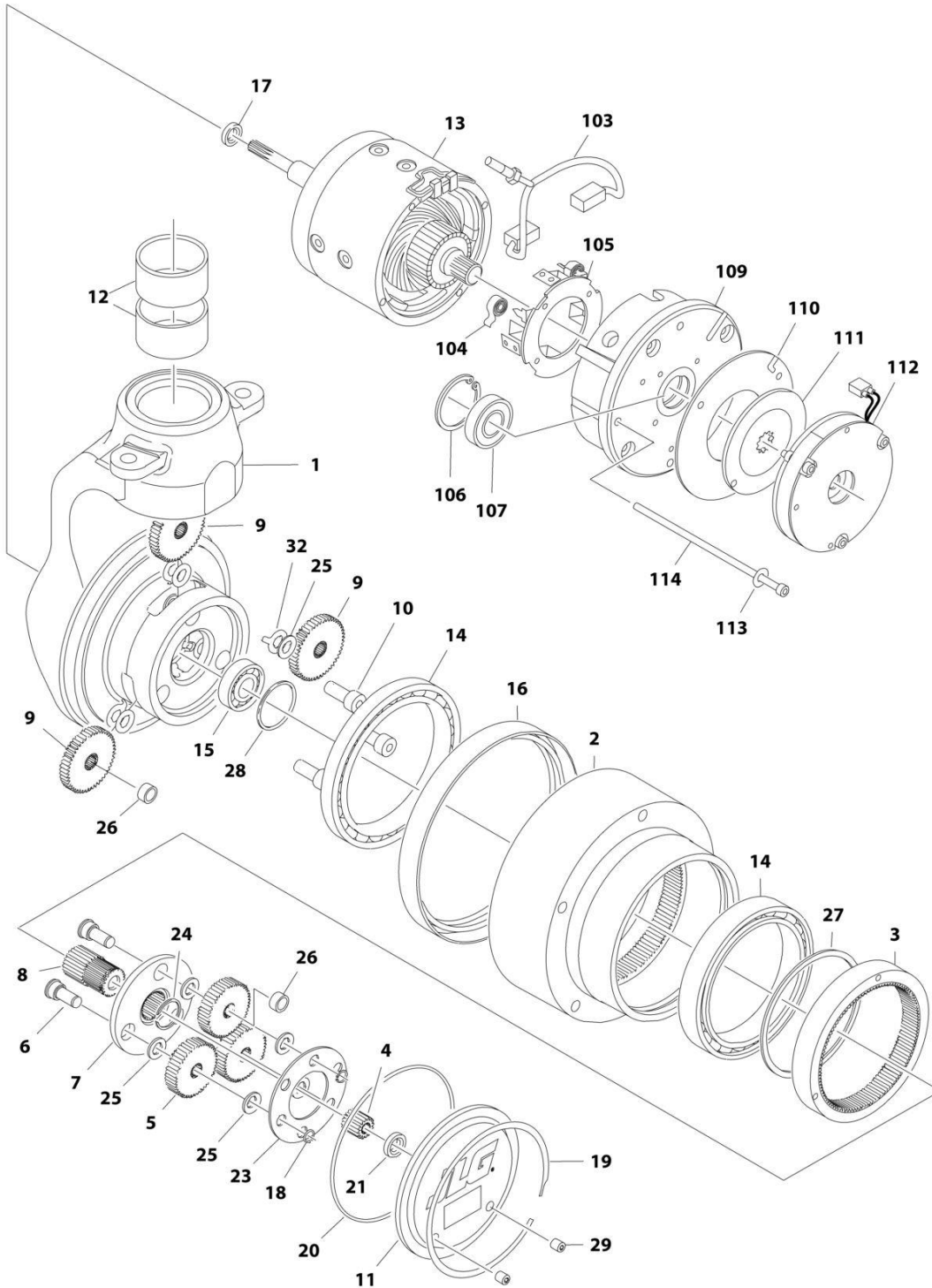
SECTION 1 - FRAME

FIGURE 1-4. DRIVE HUB AND MODULE INSTALLATION (BELGIUM BUILT MACHINES ONLY)

ITEM	PART NUMBER	QTY	DESCRIPTION	REV
	1001219122	Ref	DRIVE HUB AND MODULE INSTALLATION	A
1	0630580	20	Bolt, Wheel	
2	0700624	1	Bolt M6 x 80	
3	1001094301	1	Clamp	
4	1001115170	1	Cover	
5	2780266	2	Hub Assembly - Rear (See Separate Breakdown in this Section)	
6	3290606	1	Nut M6	
7	3740150	1	Relay	
7	4460891	1	Connector - 2 Position	
8	3760463	2	Ring, Retaining	
9	4191708	4	Screw M6 x 20	
11	4740524	2	Washer, Thrust	
12	4740564	2	Washer	
13	4751400	2	Washer 1/4	
14	4811700	2	Washer M6	
15	4831700	1	Lockwasher, M6	
17	1001092737	2	Drive Motor Assembly (See Separate Breakdown in this Section)	
18	4240147	1	Strap, Anti-Static	
19	4923602	1	Harness, Field Wire Connection (See Separate Breakdown in ELECTRICAL SECTION)	
		Ref	ADDITIONAL COMPONENTS ORDERED SEPARATE	
101	1001092456	1	Module, Control	
102	4191709	4	Screw M6 x 25	

SECTION 1 - FRAME

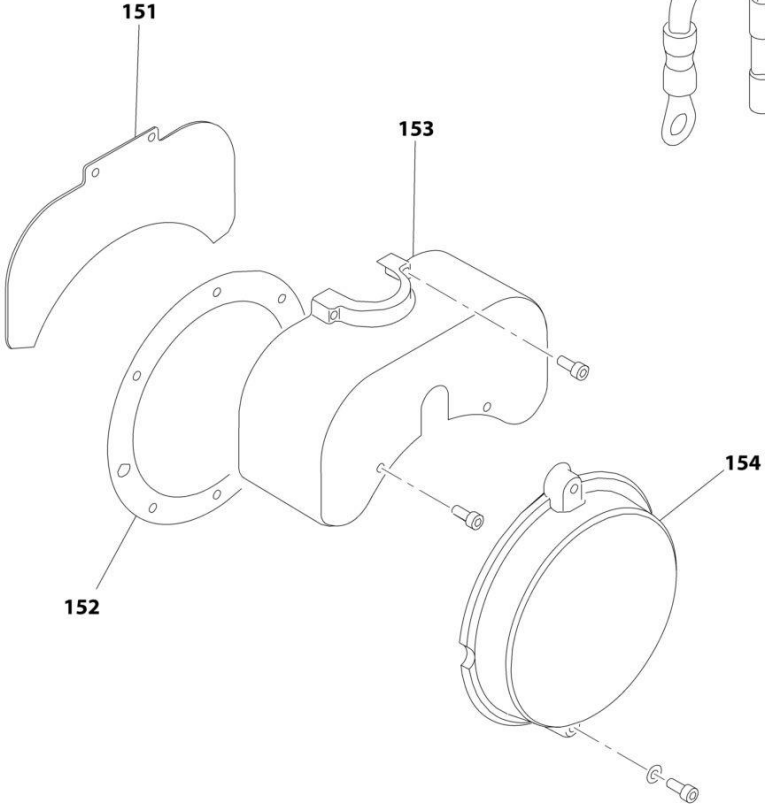
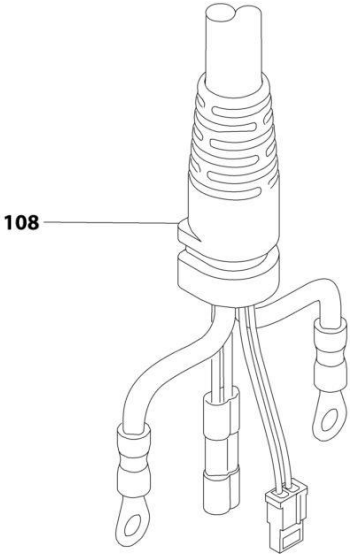
FIGURE 1-5. DRIVE MOTOR/HUB ASSEMBLY



ART_1001092737_10F2

SECTION 1 - FRAME

- 201
- 202
- 203
- 204
- 205
- 206
- 207
- 208
- 209
- 210
- 211



ART_1001092737_20F2

SECTION 1 - FRAME

FIGURE 1-5. DRIVE MOTOR/HUB ASSEMBLY

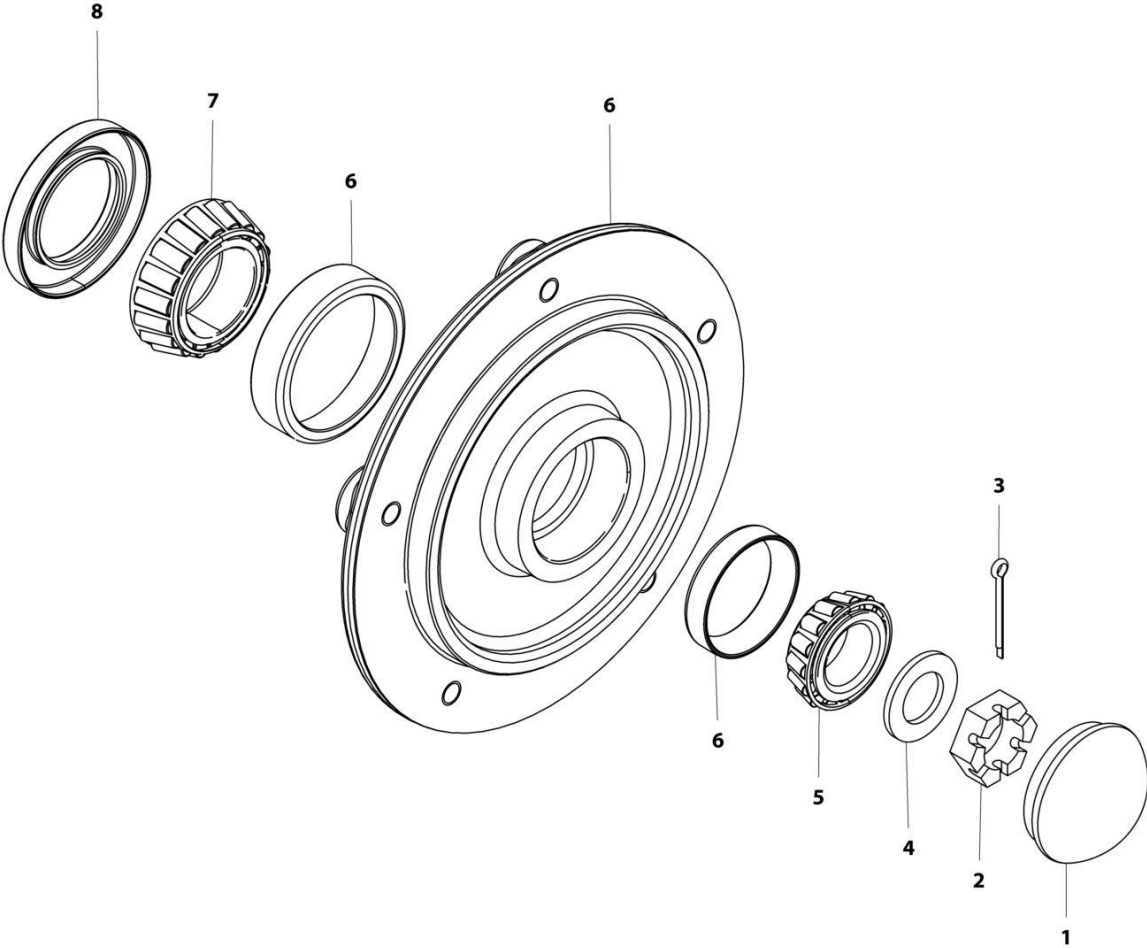
ITEM	PART NUMBER	QTY	DESCRIPTION	REV
	1001092737	Ref	DRIVE MOTOR/HUB ASSEMBLY	I
		Ref	HUB ASSEMBLY	
1	See Note	NSS	Spindle (Note: Purchase Complete Assembly)	
2	See Note	NSS	Hub (Note: Use Item 206)	
3	See Note	NSS	Ring, Input (Note: Use Item 204)	
4	See Note	NSS	Gear, Input Sun (Note: Use Item 203)	
5	See Note	NSS	Gear, Input Planet (Note: Use Item 203)	
6	See Note	NSS	Pin, Planet Gear (Note: Use Item 203)	
7	See Note	NSS	Carrier (Note: Use Item 203)	
8	See Note	NSS	Gear, Output Sun (Note: Use Item 203)	
9	See Note	NSS	Gear, Output Planet (Note: Use Item 207)	
10	See Note	NSS	Pin, Output Planet (Note: Use Item 207)	
11	See Note	NSS	Cover (Note: Use Item 201)	
12	7024757	1	Bushing Kit, Kingpin (Includes 2 Bushings)	
13	See Note	NSS	Motor, Electric (Note: Use Item 205)	
14	See Note	NSS	Bearing, Main (Note: Use Item 202, 204, 206 or 207)	
15	See Note	NSS	Bearing, Shaft (Note: Use Item 207)	
16	70001739	1	Seal, Lip	
17	7024786	1	Seal, Lip	
18	See Note	NSS	Ring, Retaining (Note: Use Item 203)	
19	See Note	NSS	Ring, Retaining (Note: Use Item 201)	
20	70000191	1	O-Ring	
21	See Note	NSS	Washer, Thrust (Note: Use Item 201)	
23	See Note	NSS	Plate, Thrust (Note: Use Item 203)	
24	See Note	NSS	Ring, Retaining (Note: Use Item 203)	
25	See Note	NSS	Washer, Thrust (Note: Use Item 203 or 207)	
26	See Note	NSS	Bushing (Note: Use Item 203 or 207)	
27	See Note	NSS	Ring, Retaining (Note: Use Item 204, 206 or 207)	
28	See Note	NSS	Ring, Retaining (Note: Use Item 207)	
29	See Note	NSS	Plug (Note: Use Item 201)	
32	See Note	NSS	Washer, Tanged (Note: Use Item 207)	
		Ref	BRAKE AND MOTOR COMPONENTS	
103	See Note	NSS	Brush and Terminal Assembly (Note: Use Item 208)	
104	70000790	2	Spring, Brush	
105	70000791	1	Box, Brush	
106	See Note	NSS	Ring, Retaining (Note: Use Item 208)	
107	See Note	NSS	Bearing (Note: Use Item 208)	
108	1001091502	1	Harness, Drive Motor (See Separate Breakdown in ELECTRICAL SECTION)	
109	70000792	1	Commutator	
110	See Note	NSS	Disc, Reaction (Note: Use Item 209)	
111	7024785	1	Disc, Friction	
112	See Note	NSS	Brake Assembly (Note: Use Item 209)	
113	See Note	NSS	Washer (Note: Use Item 210)	
114	See Note	NSS	Bolt (Note: Use Item 210)	
151	See Note	NSS	Plate, Cover (Note: Use Item 211)	
152	70001949	1	Gasket, Cover	
153	70006426	1	Cover, Top	
154	See Note	NSS	Cover, End (Note: Use Item 211)	
		Ref	KIT OPTIONS	

SECTION 1 - FRAME

ITEM	PART NUMBER	QTY	DESCRIPTION	REV
201	7024747	1	Cover Kit (Includes Items 11, 19, 20, 21 & 29)	
202	7024748	1	Main Seal Kit (Includes Qty 1 of Items 14, 16 & 20)	
203	7024749	1	Input Carrier Kit (Includes Items 4-8, 18, 20 & 23-26)	
204	7024758	1	Input Ring Kit (Includes Items 3, 20, 27 & Qty 1 of Item 14)	
205	70001263	1	Motor Kit (Includes Items 13,17,103-114, 151, 152 & 154)	
206	7024756	1	Hub Kit (Includes Items 2, 16, 20, 27 & Qty 1 of Item 14)	
207	7024750	1	Output Planet Kit (Includes Items 9, 10, 15, 20, 25-28, 32 & Qty 1 of Item 14)	
208	7024771	1	Motor Brush and Bearing Kit (Includes Items 103, 106 & 107)	
209	7024772	1	Brake Kit (Includes Items 110, 111 & 112)	
210	7024773	1	Motor Hardware Kit (Includes Items 113 & 114)	
211	70001265	1	Brake Cover Kit (Includes Items 151, 152 & 154)	

SECTION 1 - FRAME

FIGURE 1-6. HUB ASSEMBLY - REAR



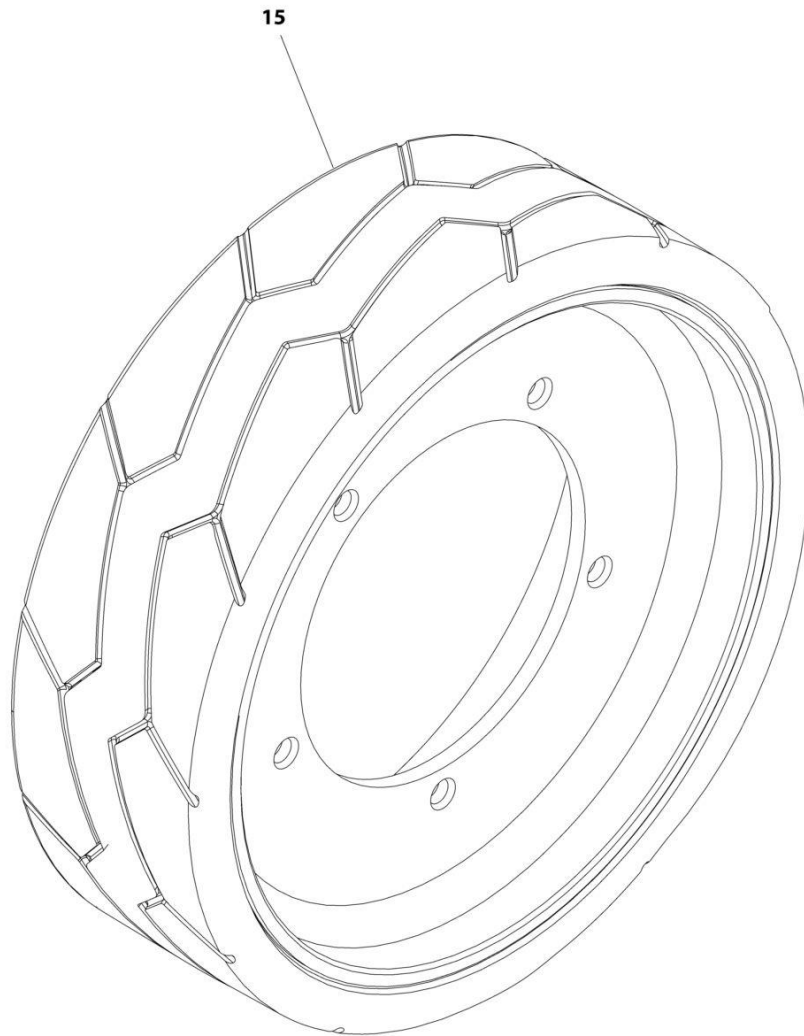
ART_2780266

FIGURE 1-6. HUB ASSEMBLY - REAR

ITEM	PART NUMBER	QTY	DESCRIPTION	REV
	2780266	Ref	HUB ASSEMBLY - REAR	E
1	1001102354	1	Cap, Dust (was p/n 7012524)	
2	3300423	1	Nut, Slotted (was p/n 7010641)	
3	3450406	1	Pin, Cotter 2 x 3/16 (was p/n 7010642)	
4	4740468	1	Washer (was p/n 7019697)	
5	1001102351	1	Bearing, Cone - Outer (was p/n 7026185)	
6	See Note	NSS	Hub (Note: Purchase Complete Assembly p/n 2780266)	
7	1001102353	1	Bearing, Cone - Inner (was p/n 7026183)	
8	1001102349	1	Seal (was p/n 7026184)	

SECTION 1 - FRAME

FIGURE 1-7. TIRE AND WHEEL ASSEMBLY (SOLIDEAL)



ART_100114467

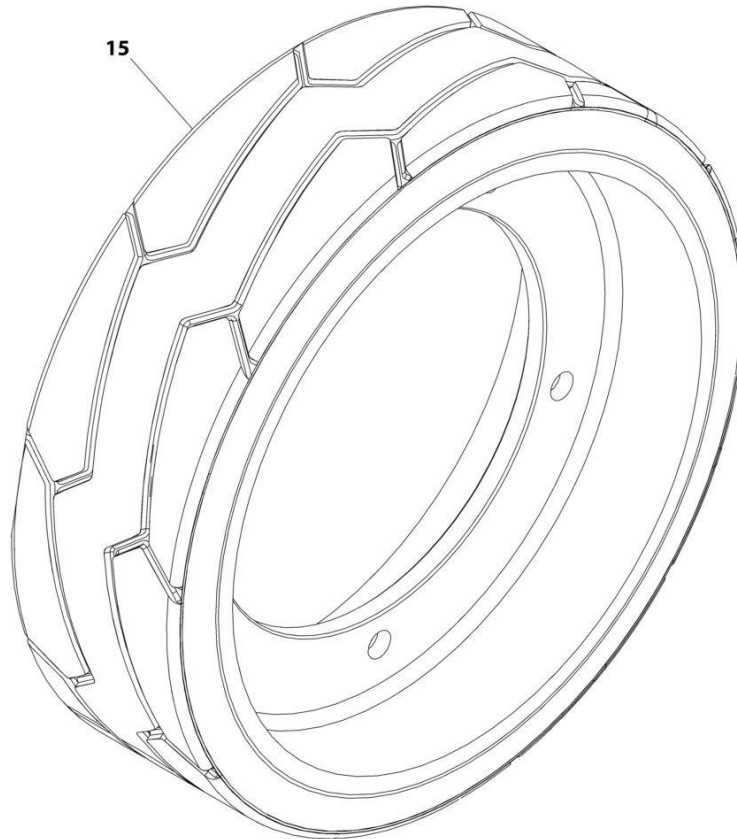
SECTION 1 - FRAME

FIGURE 1-7. TIRE AND WHEEL ASSEMBLY (SOLIDEAL)

ITEM	PART NUMBER	QTY	DESCRIPTION	REV
15	1001114467	Ref	TIRE AND WHEEL ASSEMBLY (SOLIDEAL)	
		Ref	NOTE: MUST REPLACE TIRE AND WHEEL ASSEMBLIES IN PAIRS PER AXLE.	
		4	Tire and Wheel Assembly - Non-Marking	
		4	Tire and Wheel Kit (Includes Tire, Wheel and Bolts)	

SECTION 1 - FRAME

FIGURE 1-8. TIRE AND WHEEL ASSEMBLY (EXMILE)



ART_1001219582

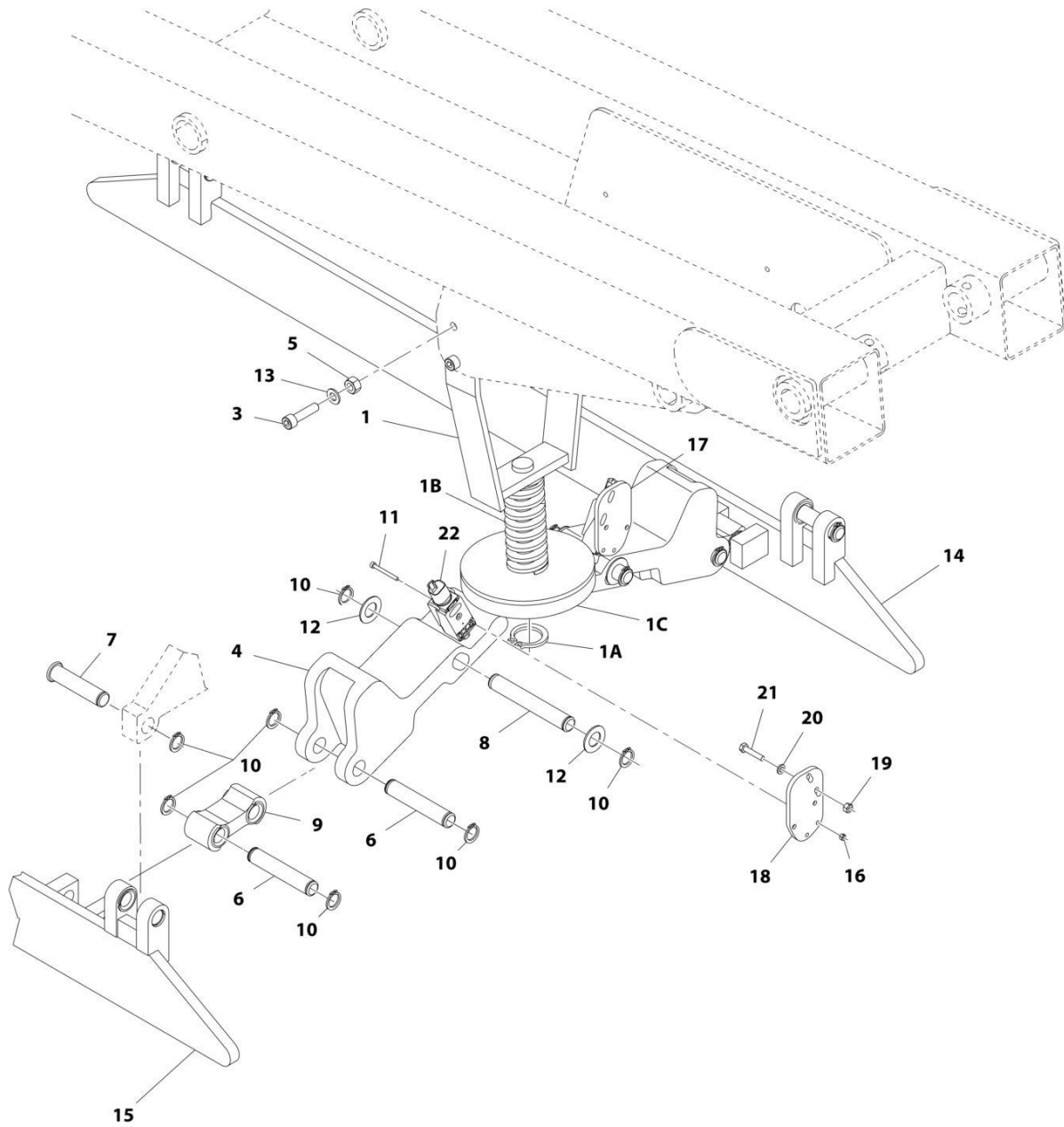
SECTION 1 - FRAME

FIGURE 1-8. TIRE AND WHEEL ASSEMBLY (EXMILE)

ITEM	PART NUMBER	QTY	DESCRIPTION	REV
15	1001219582	Ref Ref 4	TIRE AND WHEEL ASSEMBLY (EXMILE) NOTE: MUST REPLACE TIRE AND WHEEL ASSEMBLIES IN PAIRS PER AXLE. Tire and Wheel Assembly - Non-Marking	

SECTION 1 - FRAME

FIGURE 1-9. POTHOLE PROTECTION INSTALLATION - NON-UL



ART_1001117265

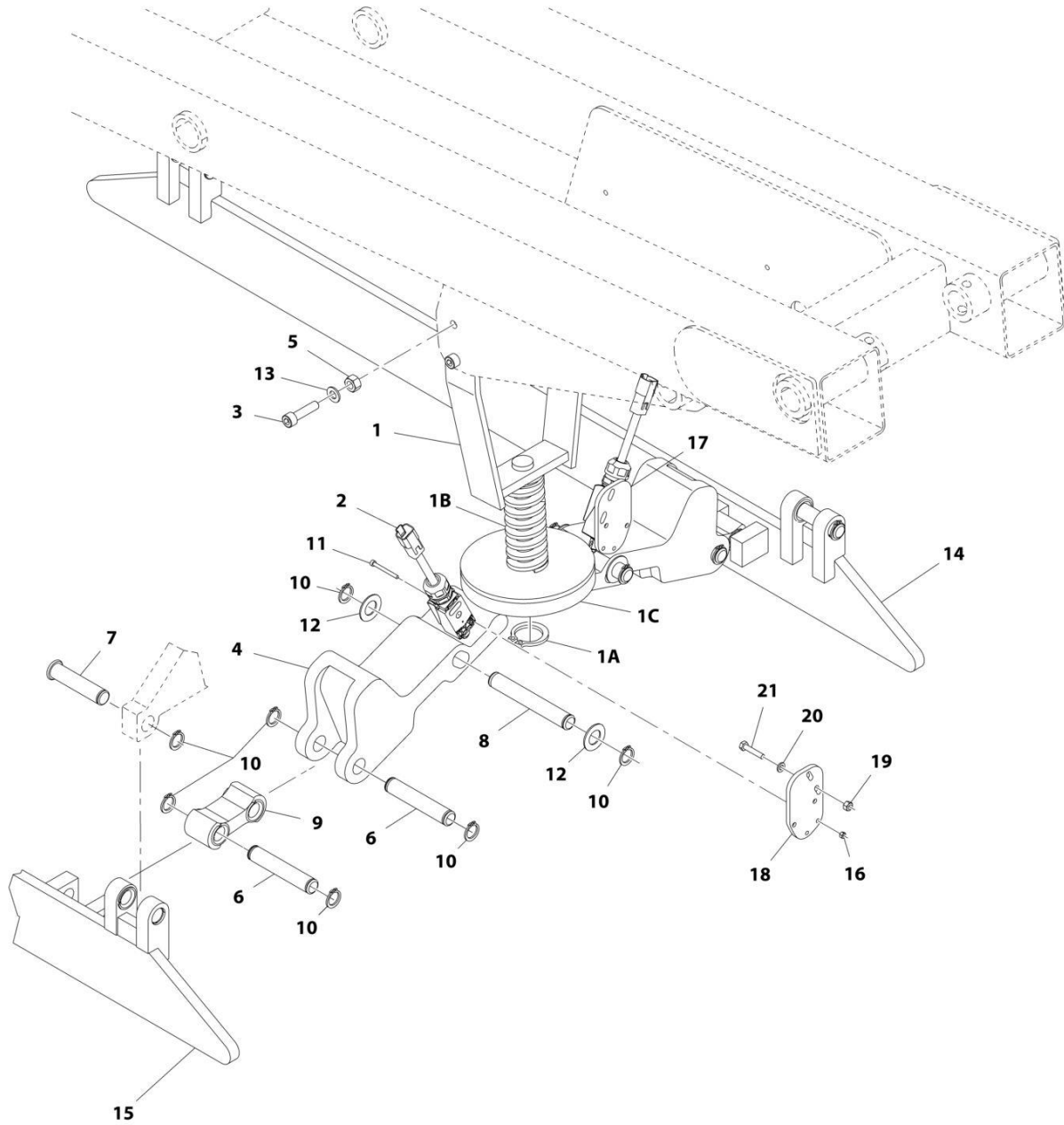
SECTION 1 - FRAME

FIGURE 1-9. POTHOLE PROTECTION INSTALLATION - NON-UL

ITEM	PART NUMBER	QTY	DESCRIPTION	REV
	1001117265	Ref	POTHOLE PROTECTION INSTALLATION - NON-UL	B
1	0060090	1	Actuator Pothole	F
1A	3760115	1	Ring, Retaining	
1B	4160202	1	Spring	
1C	4220287	1	Pad	
3	3900351	4	Capscrew M10 x 30	
4	3010158	2	Link	
5	3291005	4	Nut M10	
6	3423045	4	Pin, Pivot	
7	3423189	4	Pin, Pivot	
8	3423267	2	Pin	
9	3574176	2	Plate, Link	
10	3760348	16	Ring, Retaining	
11	4031512	4	Capscrew M4 x 40	
12	4740086	4	Washer, Thrust	
13	4812000	4	Washer M10	
14	4846775	1	Support (RH)	
15	4846861	1	Support (LH)	
16	3290405	4	Nut M4	
17	1001109232	1	Plate, Mounting	
18	1001109233	1	Plate, Mounting	
19	3290605	4	Nut M6	
20	4811700	4	Washer M6	
21	0700614	4	Bolt M6 x 30	
22	1001109088	2	Switch, Limit	

SECTION 1 - FRAME

FIGURE 1-10. POTHOLE PROTECTION INSTALLATION - UL



ART_1001126898

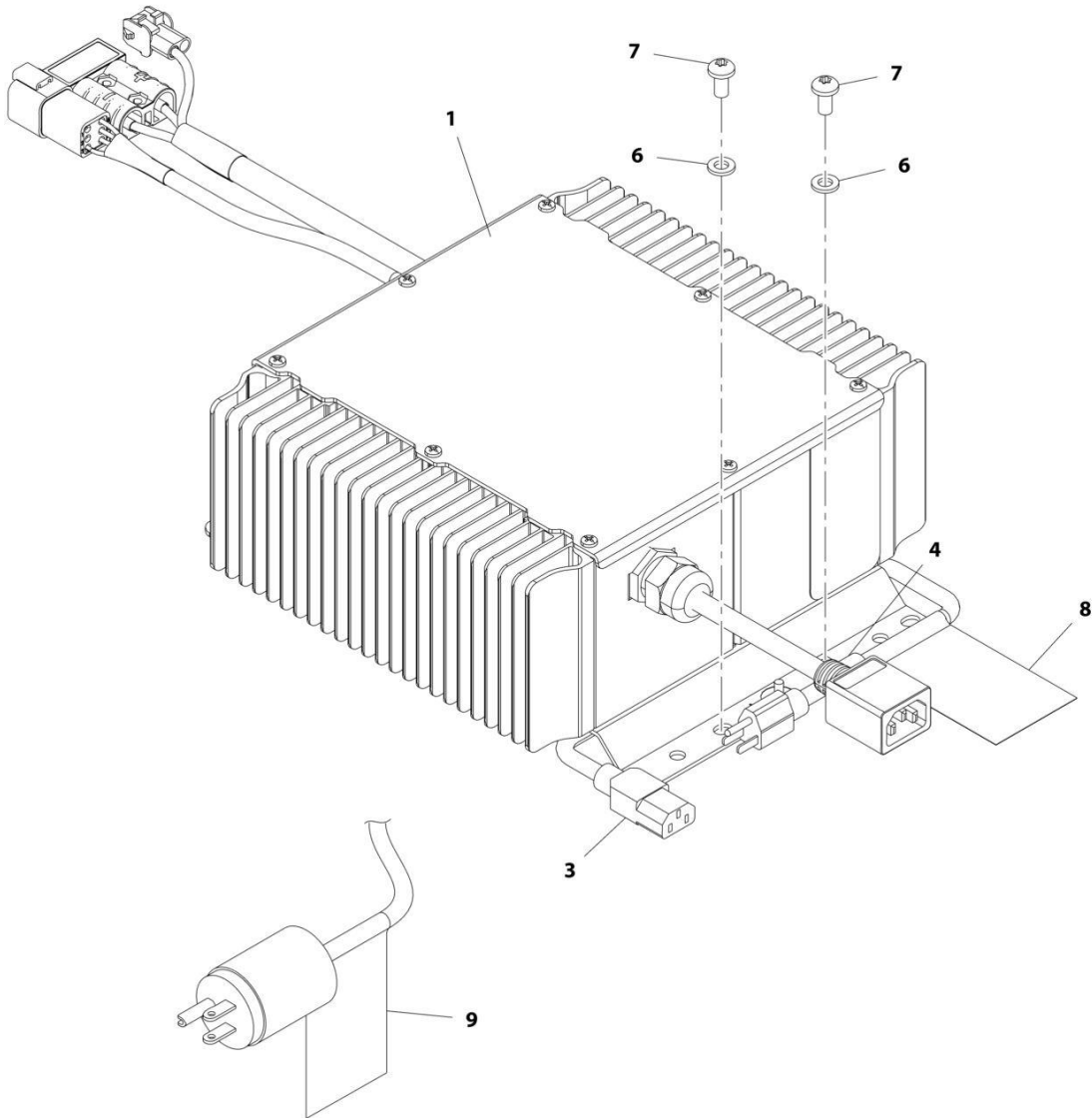
SECTION 1 - FRAME

FIGURE 1-10. POTHOLE PROTECTION INSTALLATION - UL

ITEM	PART NUMBER	QTY	DESCRIPTION	REV
	1001126898	Ref	POTHOLE PROTECTION INSTALLATION - UL	B
1	0060090	1	Actuator Pothole	F
1A	3760115	1	Ring, Retaining	
1B	4160202	1	Spring	
1C	4220287	1	Pad	
2	1001126905	2	Switch, Limit	
2	4460535	2	Receptacle, Female - 4 Position (1 per Switch)	
2	4460464	8	Pin, Male (4 per Switch)	
3	3900351	4	Capscrew M10 x 30	
4	3010158	2	Link	
5	3291005	4	Nut M10	
6	3423045	4	Pin, Pivot	
7	3423189	4	Pin, Pivot	
8	3423267	2	Pin	
9	3574176	2	Plate, Link	
10	3760348	16	Ring, Retaining	
11	4031512	4	Capscrew M4 x 40	
12	4740086	4	Washer, Thrust	
13	4812000	4	Washer M10	
14	4846775	1	Support (RH)	
15	4846861	1	Support (LH)	
16	3290405	4	Nut M4	
17	1001109232	1	Plate, Mounting	
18	1001109233	1	Plate, Mounting	
19	3290605	4	Nut M6	
20	4811700	4	Washer M6	
21	0700614	4	Bolt M6 x 30	

SECTION 1 - FRAME

FIGURE 1-11. BATTERY CHARGER INSTALLATION WITH 110V PLUG AND DELTA-Q CHARGER (ANSI, ANSI EXPORT, CSA, JAPANESE AND UL SPECS) (SN 0200239382 to Present, SN B200020297 through B200061738, SN M200000100 to Present, SN 1200025021 to Present)



ART_0275079

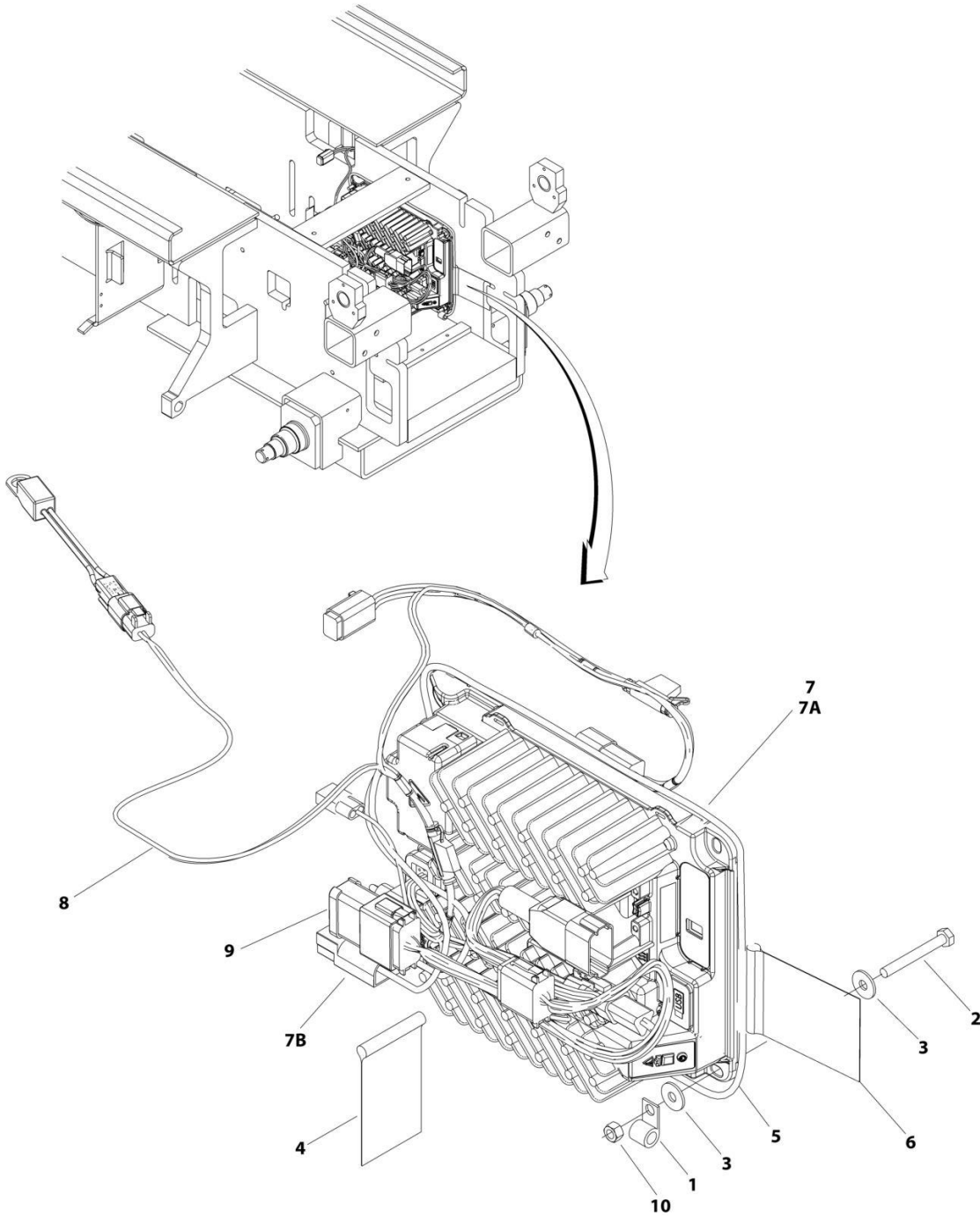
SECTION 1 - FRAME

FIGURE 1-11. BATTERY CHARGER INSTALLATION WITH 110V PLUG AND DELTA-Q CHARGER (ANSI, ANSI EXPORT, CSA, JAPANESE AND UL SPECS) (SN 0200239382 to Present, SN B200020297 through B200061738, SN M200000100 to Present, SN 1200025021 to Present)

ITEM	PART NUMBER	QTY	DESCRIPTION	REV
	0275079	Ref	BATTERY CHARGER INSTALLATION WITH 110V PLUG AND DELTA-Q CHARGER	G
1	1001112111	1	Battery Charger Assembly - DELTA-Q (See BATTERY CHARGER ASSEMBLY for Breakdown) (ANSI, ANSI EXPORT, CSA, JAPANESE AND UL SPECS)	
3	1001103257	1	Cable, Charger (AC INPUT)	
4	1321293	1	Clamp	
6	4811700	2	Washer M6	
7	4191706	2	Screw M6 x 12	
8	1001102489	1	Decal - Charger Label (SN 0200239382 through 0200257823, SN B200020279 through B200061738, SN M200000100 through M200002934)	
8	1001215870	1	Decal - Charger Label (SN 0200257823 to Present, SN M200002935 through M200040097)	
9	1001102258	1	Decal - AC Label	
10	1001112113	1	Sensor, Temperature (Not Shown - Located on Negative Battery Terminal) (SN 0200266434 to Present, SN M200014366 through M200040097)	

SECTION 1 - FRAME

FIGURE 1-12. BATTERY CHARGER INSTALLATION WITH 110V PLUG AND DELTA-Q CHARGER (ANSI, ANSI EXPORT, CSA, JAPANESE AND UL SPECS) (SN B200061739 to Present)



ART_1001252960

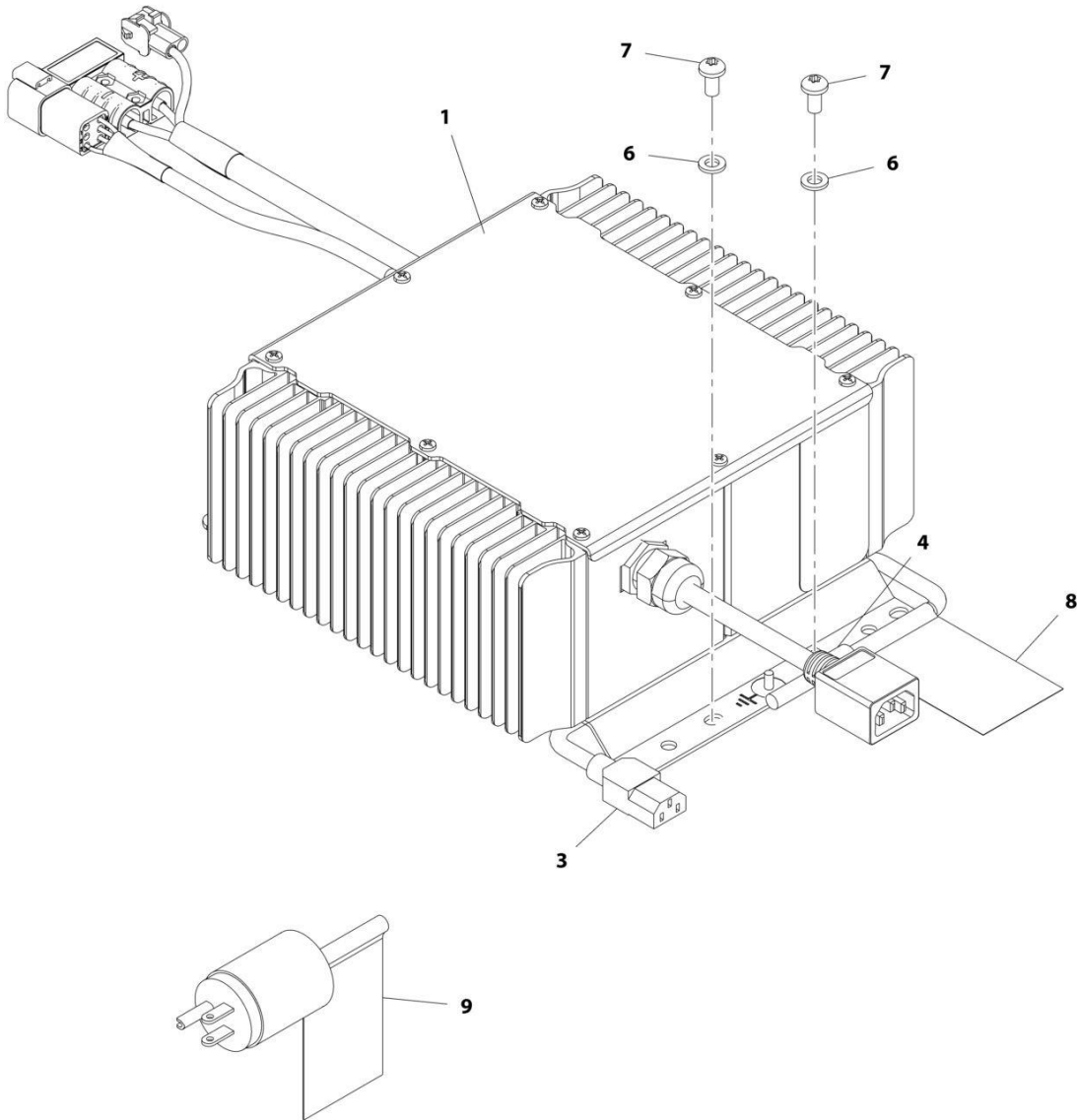
SECTION 1 - FRAME

**FIGURE 1-12. BATTERY CHARGER INSTALLATION WITH 110V PLUG AND DELTA-Q CHARGER
(ANSI, ANSI EXPORT, CSA, JAPANESE AND UL SPECS) (SN B200061739 to Present)**

ITEM	PART NUMBER	QTY	DESCRIPTION	REV
	1001252960	Ref	BATTERY CHARGER INSTALLATION WITH 110 PLUG	C
1	1320136	1	Clamp	
2	0700618	3	Bolt M6 x 50	
3	4811702	6	Washer M6	
4	1001102258	1	Decal - AC Label	
5	1001207970	1	Cable, Charger Input	
6	1001215870	1	Decal - Charger Input Voltage	
7	1001252957	1	Battery Charger Assembly	
7A	1001253952	1	Charger	
7B	1001253638	1	Harness, Charger (See Separate Breakdown in ELECTRICAL SECTION)	
8	1001253641	1	Harness, Charger (See Separate Breakdown in ELECTRICAL SECTION)	
9	1001253643	1	Harness, ES, Can Splice (See Separate Breakdown in ELECTRICAL SECTION)	
10	3290607	3	Nut M6	

SECTION 1 - FRAME

FIGURE 1-13. BATTERY CHARGER INSTALLATION WITH DELTA-Q CHARGER (ANSI, ANSI EXPORT, CSA AND CE SPECS) (SN 0200239382 to Present, SN B200020297 through B200061738, SN M200000100 to Present, SN 1200025021 to Present)



ART_0275088

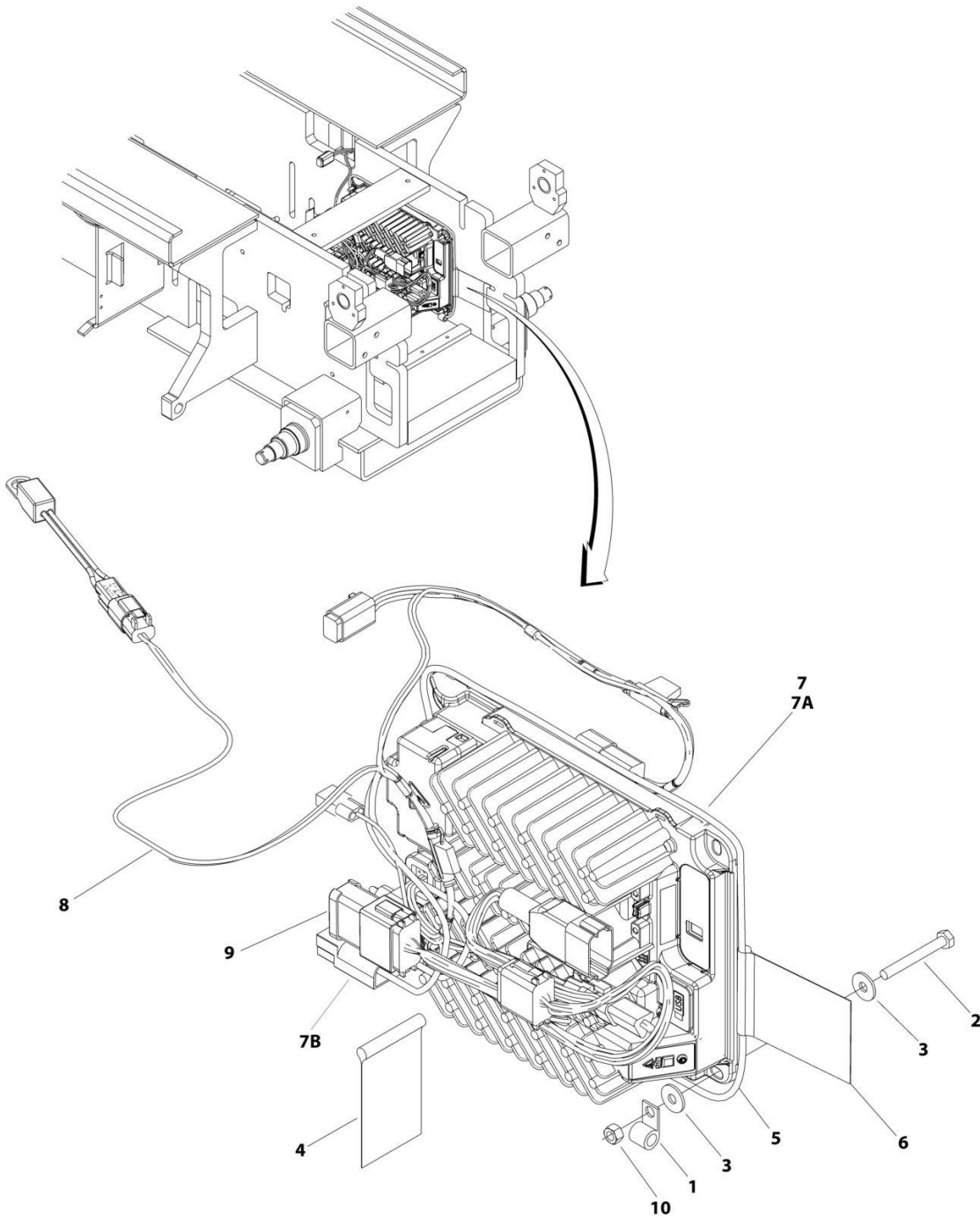
SECTION 1 - FRAME

FIGURE 1-13. BATTERY CHARGER INSTALLATION WITH DELTA-Q CHARGER (ANSI, ANSI EXPORT, CSA AND CE SPECS) (SN 0200239382 to Present, SN B200020297 through B200061738, SN M200000100 to Present, SN 1200025021 to Present)

ITEM	PART NUMBER	QTY	DESCRIPTION	REV
	0275088	Ref	BATTERY CHARGER INSTALLATION WITH DELTA-Q CHARGER	H
1	1001112111	1	Battery Charger Assembly - DELTA-Q (See BATTERY CHARGER ASSEMBLY for Breakdown) (ANSI, ANSI EXPORT, CSA AND CE SPECS)	
3	1001103258	1	Cable, Charger (AC Input) No Plug	
4	1320136	1	Clamp (USA Built Machines)	
4	1321293	1	Clamp	
6	4811700	2	Washer M6	
7	4191706	2	Screw M6 x 12	
8	1001102489	1	Decal - Charger Label (SN 0200239382 through 0200257822, SN B200020297 through B200061738, SN M200000100 through M200002934)	
8	1001215870	1	Decal - Charger Label (SN 0200257823 to Present, SN M200002935 through M200040097)	
9	1001102258	1	Decal - AC Label	
10	1001112113	1	Sensor, Temperature (Not Shown - Located on Negative Battery Terminal) (SN 0200266434 to Present, SN 1200026477 to Present, SN B200045248 through B200061738, SN M200014366 through M200040097)	

SECTION 1 - FRAME

FIGURE 1-14. BATTERY CHARGER INSTALLATION WITH DELTA-Q CHARGER (ANSI, ANSI EXPORT, CSA AND CE SPECS) (SN B200061739 to Present)



ART_1001252961

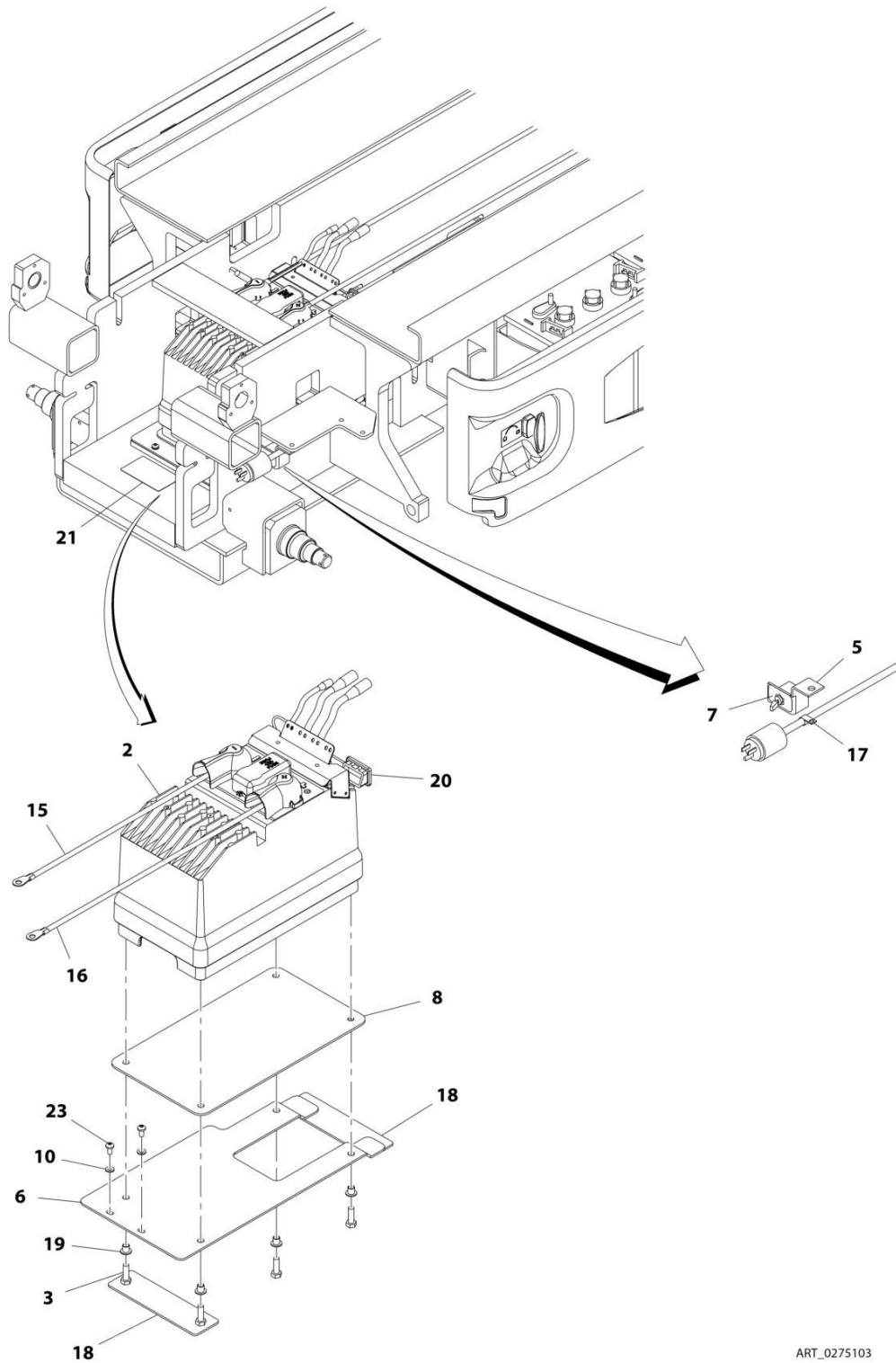
SECTION 1 - FRAME

FIGURE 1-14. BATTERY CHARGER INSTALLATION WITH DELTA-Q CHARGER (ANSI, ANSI EXPORT, CSA AND CE SPECS) (SN B200061739 to Present)

ITEM	PART NUMBER	QTY	DESCRIPTION	REV
	1001252961	Ref	BATTERY CHARGER INSTALLATION WITH LOCALLY SUPPLIED PLUG	C
1	1320136	1	Clamp	
2	0700618	3	Bolt M6 x 50	
3	4811702	6	Washer M6	
4	1001102258	1	Decal – AC Label	
5	1001207974	1	Cable, Charger Input	
6	1001215870	1	Decal – Charger Input Voltage	
7	1001252957	1	Battery Charger Assembly	
7A	1001253952	1	Charger	
7B	1001253638	1	Harness, Charger (See Separate Breakdown in ELECTRICAL SECTION)	
8	1001253641	1	Harness, Charger (See Separate Breakdown in ELECTRICAL SECTION)	
9	1001253643	1	Harness, ES, Can Splice (See Separate Breakdown in ELECTRICAL SECTION)	
10	3290607	3	Nut M6	

SECTION 1 - FRAME

FIGURE 1-15. CHARGER (INVERTER) INSTALLATION (ANSI, ANSI EXPORT AND CSA SPECS) BATTERY CHARGER INSTALLATION WITH LOCALLY SUPPLIED PLUG (AUSTRALIAN SPEC)



ART_0275103

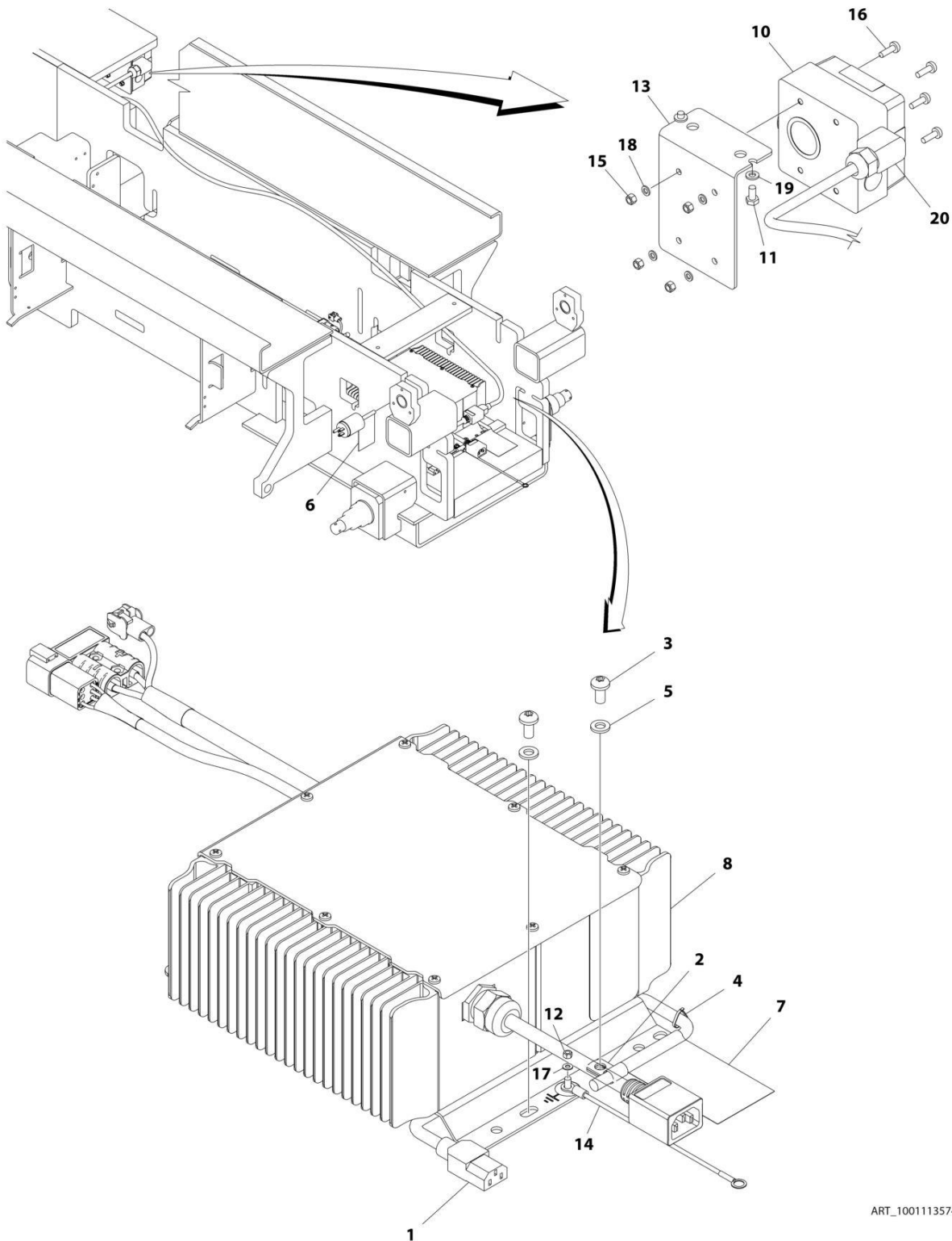
SECTION 1 - FRAME

FIGURE 1-15. CHARGER (INVERTER) INSTALLATION (ANSI, ANSI EXPORT AND CSA SPECS) BATTERY CHARGER INSTALLATION WITH LOCALLY SUPPLIED PLUG (AUSTRALIAN SPEC)

ITEM	PART NUMBER	QTY	DESCRIPTION	REV
	0275103	Ref	CHARGER (INVERTER) INSTALLATION	G
1	0100011	AR	Compound, Locking	
2	1001093839	1	Charger, Inverter	
3	0760812	4	Screw M8 x 25	
5	0902780	1	Bracket, Remote Switch	
6	0903444	1	Bracket, Inverter Mounting	
7	1705052	1	Decal - Inverter On-Off	
8	2820239	1	Insulation	
10	4811700	2	Washer M6	
12	1001091479	1	Harness, AC Input (Not Shown)	
13	4923390	1	Harness, AC Output (Not Shown)	
14	4923391	1	Harness Data Interface (Not Shown)	
15	4923392	1	Cable, Inverter Positive	
16	4923393	1	Cable, Inverter Negative	
17	1320043	1	Clamp	
18	2820240	2	Insulation	
19	4740562	4	Washer Special	
20	1671266	1	Cover	
21	1706749	1	Decal - Inverter	
23	4191706	2	Screw M6 x 12	

SECTION 1 - FRAME

FIGURE 1-16. BATTERY CHARGER INSTALLATION WITH LOCALLY SUPPLIED PLUG (AUSTRALIAN SPEC) (SN 0200239382 to Present, SN B200020297 through B200061738, SN M200000100 to Present, SN 1200025021 to Present)



ART_1001113574

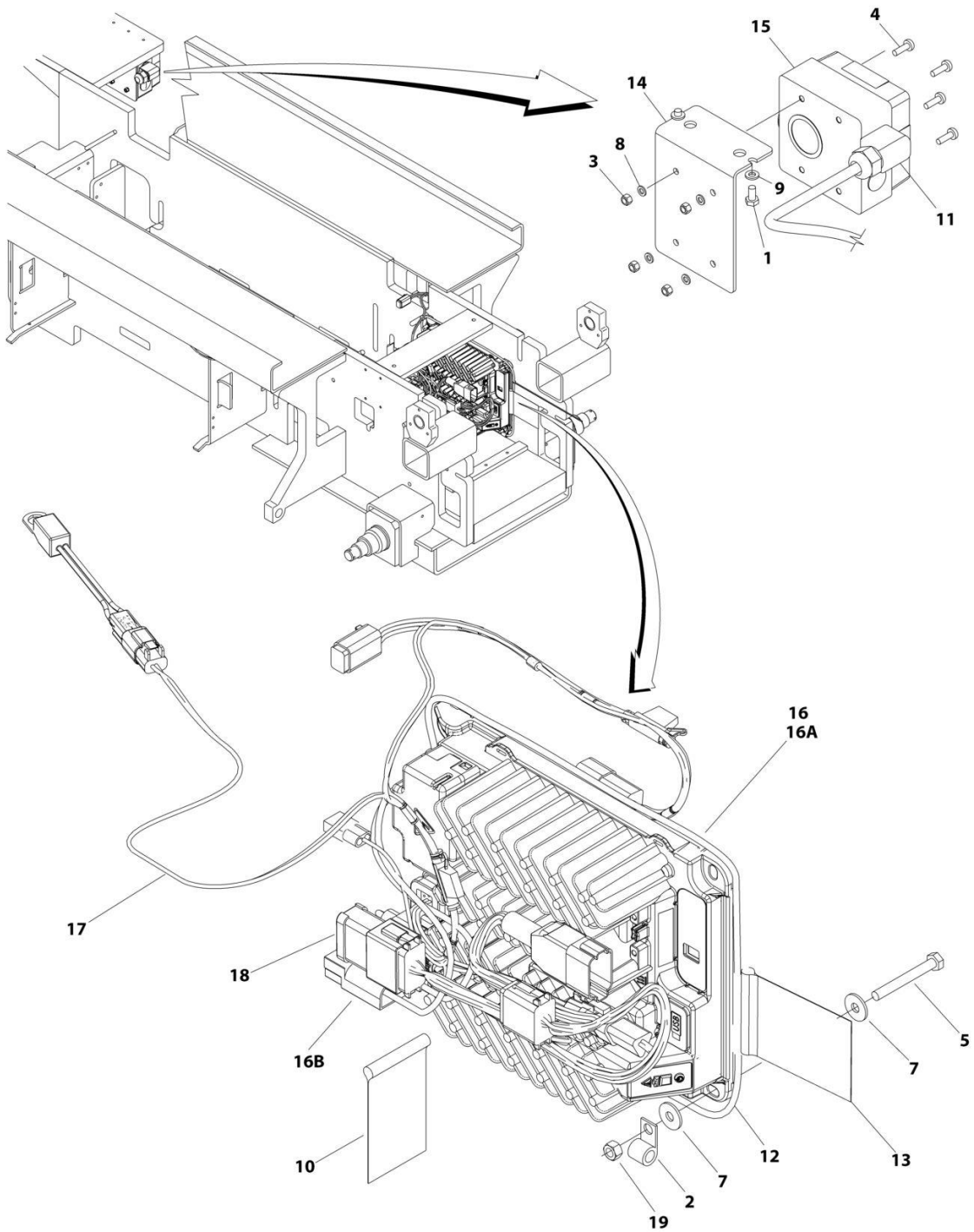
SECTION 1 - FRAME

FIGURE 1-16. BATTERY CHARGER INSTALLATION WITH LOCALLY SUPPLIED PLUG (AUSTRALIAN SPEC) (SN 0200239382 to Present, SN B200020297 through B200061738, SN M200000100 to Present, SN 1200025021 to Present)

ITEM	PART NUMBER	QTY	DESCRIPTION	REV
	1001113574	Ref	BATTERY CHARGER INSTALLATION WITH LOCALLY SUPPLIED PLUG	G
1	1060689	1	Cable, AC Cord	
2	1320136	1	Clamp (USA Built Machines)	
2	1321293	1	Clamp	
3	4191706	2	Screw M6 x 12	
4	4240033	2	Tie-Strap	
5	4811700	2	Washer M6	
6	1001102258	1	Decal - AC to Platform	
7	1001102489	1	Decal - Charger Plug (SN 0200239382 through 0200257822, SN B200020297 through B200037245, SN M200000100 through M200002934)	
7	1001215870	1	Decal - Charger Plug (SN 0200257823 to Present, SN B200037246 through B200061738, SN M200002935 through M200040097)	
8	1001112111	1	Battery Charger Assembly (See BATTERY CHARGER ASSEMBLY - DELTA-Q for Breakdown)	
9	1001112113	1	Sensor, Temperature (Not Shown - Located on Negative Battery Terminal) (SN 0200266434 to Present, SN B200045248 to Present, SN M200014366 through M200040097)	
10	1001227267	1	Electric Assembly (SN B200052311 through B200061738, SN M200022327 through M200040097)	
11	0760606	2	Bolt M6 x 12	
12	3290405	1	Nut M4	
13	1001227213	1	Bracket (SN B200052311 to Present, SN M200022327 through M200040097)	
14	1001227219	1	Earth/Ground Harness (SN B200052311 through B200061738, SN M200022327 through M200040097)	
15	3290505	4	Nut M5	
16	3900381	4	Screw M5 x 16	
17	4811400	1	Washer M4	
18	4831600	4	Washer M5	
19	4841700	2	Washer M6	
20	1001103471	1	Connector, Strain Relief (SN B200052311 through B200061738, SN M200022327 through M200040097)	

SECTION 1 - FRAME

FIGURE 1-17. BATTERY CHARGER INSTALLATION WITH LOCALLY SUPPLIED PLUG (AUSTRALIAN SPEC) (SN B200061739 to Present)



ART_1001252962

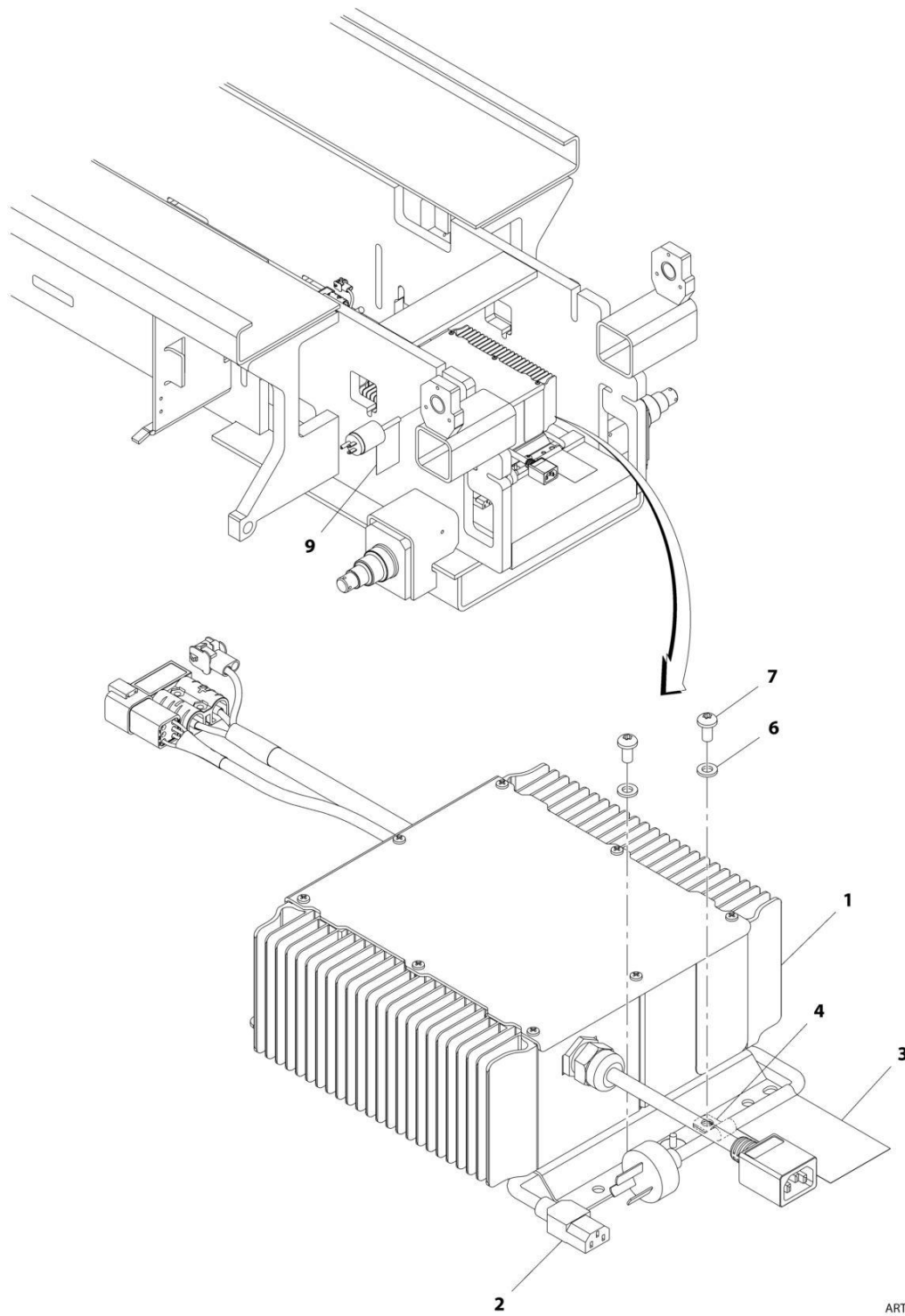
SECTION 1 - FRAME

FIGURE 1-17. BATTERY CHARGER INSTALLATION WITH LOCALLY SUPPLIED PLUG (AUSTRALIAN SPEC) (SN B200061739 to Present)

ITEM	PART NUMBER	QTY	DESCRIPTION	REV
	1001252962	Ref	BATTERY CHARGER INSTALLATION WITH LOCALLY SUPPLIED PLUG	D
1	0760606	2	Bolt M6 x 12	
2	1320136	1	Clamp	
3	3290505	4	Nut M5	
4	3900381	4	Screw M5 x 16	
5	0700618	3	Bolt M6 x 50	
6	4240033	AR	Tie-Strap e Strap (Not Shown)	
7	4811702	8	Washer M6	
8	4831600	4	Washer M5	
9	4831700	2	Washer M6	
10	1001102258	1	Decal – AC Label	
11	1001103471	1	Connector, Strain Relief	
12	1001207974	NLA	Cable, Charger Input (Use 1060689)	
12	1060689	1	Cable, Charger Input	
13	1001215870	1	Decal – Charger Input Voltage	
14	1001227213	1	Bracket	
15	1001227267	1	Electric Assembly	
16	1001252957	1	Battery Charger Assembly	
16A	1001253952	1	Charger	
16B	1001253638	1	Harness, Charger (See Separate Breakdown in ELECTRICAL SECTION)	
17	1001253641	1	Harness, Charger (See Separate Breakdown in ELECTRICAL SECTION)	
18	1001253643	1	Harness, ES, Can Splice (See Separate Breakdown in ELECTRICAL SECTION)	
19	3290607	3	Nut M6	

SECTION 1 - FRAME

FIGURE 1-18. BATTERY CHARGER INSTALLATION WITH LOCALLY SUPPLIED PLUG (CHINESE SPEC)



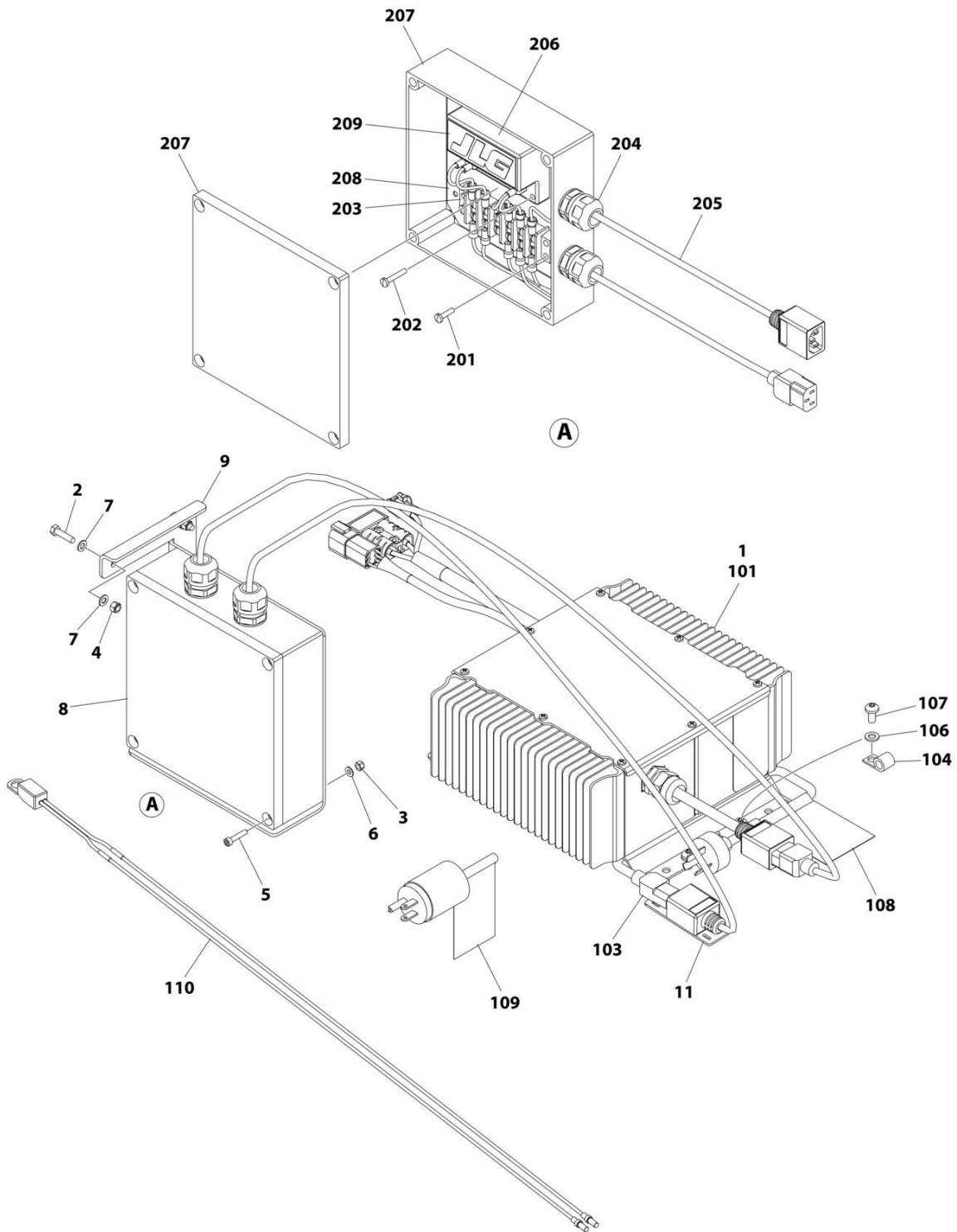
SECTION 1 - FRAME

FIGURE 1-18. BATTERY CHARGER INSTALLATION WITH LOCALLY SUPPLIED PLUG (CHINESE SPEC)

ITEM	PART NUMBER	QTY	DESCRIPTION	REV
	1001172007	Ref	BATTERY CHARGER INSTALLATION WITH LOCALLY SUPPLIED PLUG (CHINESE SPEC)	D
1	1001112111	1	Battery Charger Assembly (See BATTERY CHARGER ASSEMBLY - DELTA-Q for Breakdown)	
2	1001172010	1	Cable, Charger (AC Input)	
3	1001102489	1	Decal - Charger Plug (SN 0200239382 through 0200257822, SN B200020297 to Present, SN M200000100 through M200002934)	
3	1001215870	1	Decal - Charger Plug (SN 0200257823 to Present, SN M200002935 through M200040097)	
4	1321293	1	Clamp	
6	4811700	2	Washer M6	
7	4191706	2	Screw M6 x 12	
9	1001102258	1	Decal - AC to Platform	

SECTION 1 - FRAME

FIGURE 1-19. BATTERY CHARGER INSTALLATION – WITH VOLTAGE GUARD (LOCALLY SUPPLIED PLUG) (ANSI EXPORT AND KOREA SPECS)



ART_1001212460

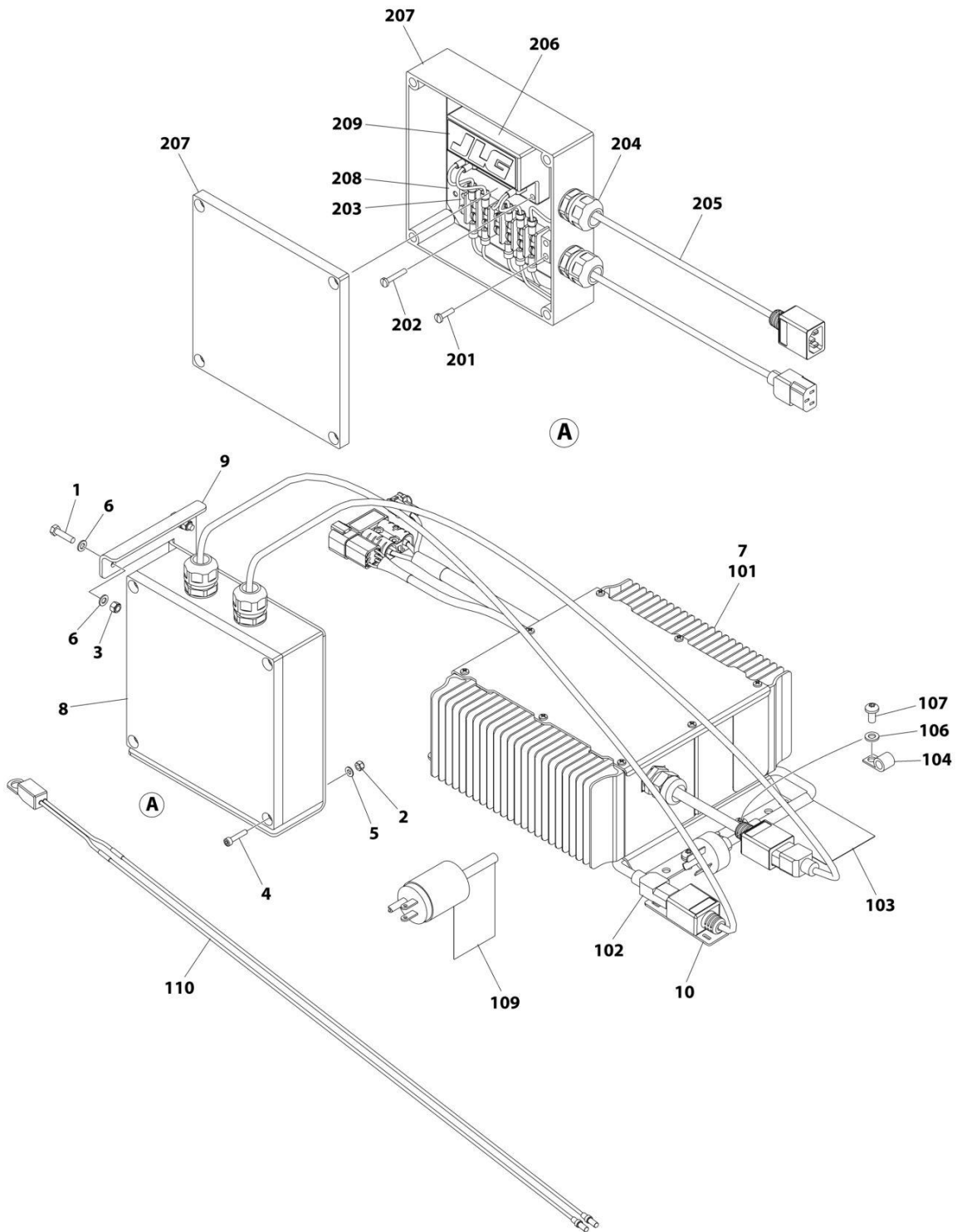
SECTION 1 - FRAME

FIGURE 1-19. BATTERY CHARGER INSTALLATION – WITH VOLTAGE GUARD (LOCALLY SUPPLIED PLUG) (ANSI EXPORT AND KOREA SPECS)

ITEM	PART NUMBER	QTY	DESCRIPTION	REV
	1001212460	Ref	BATTERY CHARGER INSTALLATION - WITH VOLTAGE GUARD (LOCALLY SUPPLIED PLUG)	B
1	0275088	1	Charger Installation (See Items 101-110)	
2	0700510	2	Bolt M5 x 20	
3	3290405	4	Nut M4	
4	3290505	2	Nut M5	
5	4031508	4	Screw M4 x 20	
6	4811400	4	Washer M4	
7	4811600	4	Washer M5	
8	1001185306	1	Voltage Guard Installation (See Items 201-209)	
9	1001185830	1	Bracket	
10	4240017	2	Tie Strap (Not Shown)	
11	1001215326	1	Support	
	0275088	Ref	CHARGER INSTALLATION	H
101	1001112111	1	Battery Charger Assembly (See Separate Breakdown in this Section)	
103	1001103258	1	Cable, Charger (AC Input)	
104	1321293	1	Clamp	
106	4811700	2	Washer M6	
107	4191706	2	Screw M6 x 12	
108	1001215870	1	Decal - Charger Plug	
109	1001102258	1	Decal - AC to Platform	
110	1001112113	1	Sensor, Temperature	
	1001185306	Ref	VOLTAGE GUARD INSTALLATION	C
201	4010408	2	Screw M4 x 16	
202	4010412	2	Screw M4 x 24	
203	4460007	1	Bus Bar	
204	4460968	2	Connector Strain Relief	
205	1001184947	1	Harness	
206	1001185156	1	Voltage Guard	
207	1001186497	1	Box	
208	1001187101	1	Plate	
209	1001187530	1	Decal - JLG	

SECTION 1 - FRAME

FIGURE 1-20. BATTERY CHARGER INSTALLATION – WITH VOLTAGE GUARD AND CHINESE PLUG
(ANSI EXPORT, CHINESE AND KOREA SPECS)



ART_1001196958

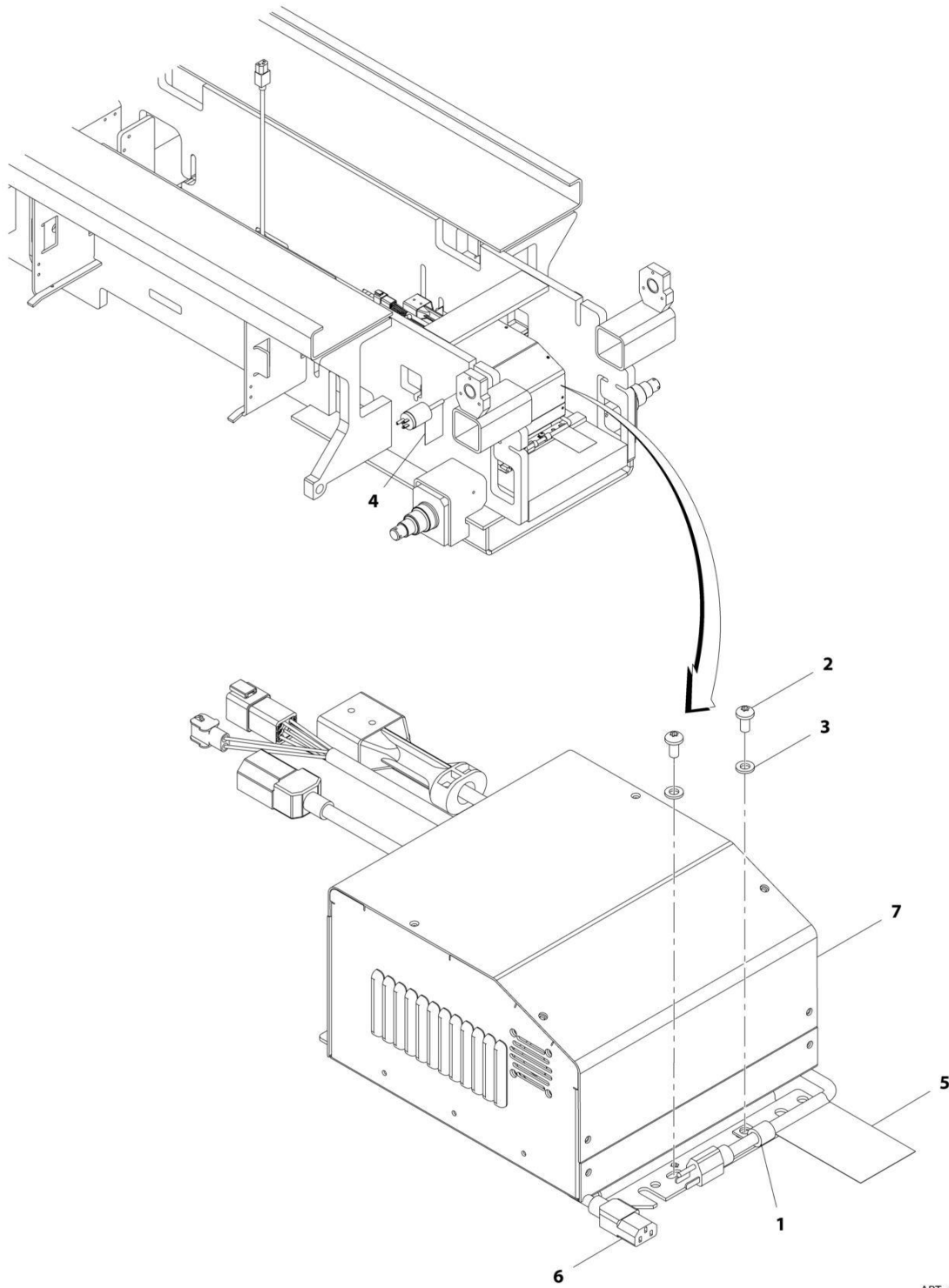
SECTION 1 - FRAME

**FIGURE 1-20. BATTERY CHARGER INSTALLATION – WITH VOLTAGE GUARD AND CHINESE PLUG
(ANSI EXPORT, CHINESE AND KOREA SPECS)**

ITEM	PART NUMBER	QTY	DESCRIPTION	REV
	1001196958	Ref	BATTERY CHARGER INSTALLATION - WITH VOLTAGE GUARD AND CHINESE PLUG	B
1	0700510	2	Bolt M5 x 20	
2	3290405	4	Nut M4	
3	3290505	2	Nut M5	
4	4031508	4	Bolt M4 x 20	
5	4811400	4	Washer M4	
6	4811600	4	Washer M5	
7	1001172007	1	Charger Installation (See Items 101-110)	
8	1001185306	1	Voltage Guard Installation (See Items 201-209)	
9	1001185830	1	Bracket	
10	1001215326	1	Support	
11	4240017	2	Tie Strap (Not Shown)	
	1001172007	Ref	CHARGER INSTALLATION	E
101	1001112111	1	Battery Charger Assembly (See Separate Breakdown in this section)	
102	1001172010	1	Cable, Charger (AC Input)	
103	1001215870	1	Decal - Charger Plug	
104	1321293	1	Clamp	
106	4811700	2	Washer M6	
107	4191706	2	Screw M6 x 12	
109	1001102258	1	Decal - AC to Platform	
110	1001112113	1	Sensor, Temperature	
	1001185306	Ref	VOLTAGE GUARD INSTALLATION	C
201	4010408	2	Screw M4 x 16	
202	4010412	2	Screw M4 x 24	
203	4460007	1	Bus Bar	
204	4460968	2	Connector Strain Relief	
205	1001184947	1	Harness	
206	1001185156	1	Voltage Guard	
207	1001186497	1	Box	
208	1001187101	1	Plate	
209	1001187530	1	Decal - JLG	

SECTION 1 - FRAME

FIGURE 1-21. BATTERY CHARGER INSTALLATION - EAGLE PERFORMANCE (ANSI AND CSA SPEC)



ART_1001179427

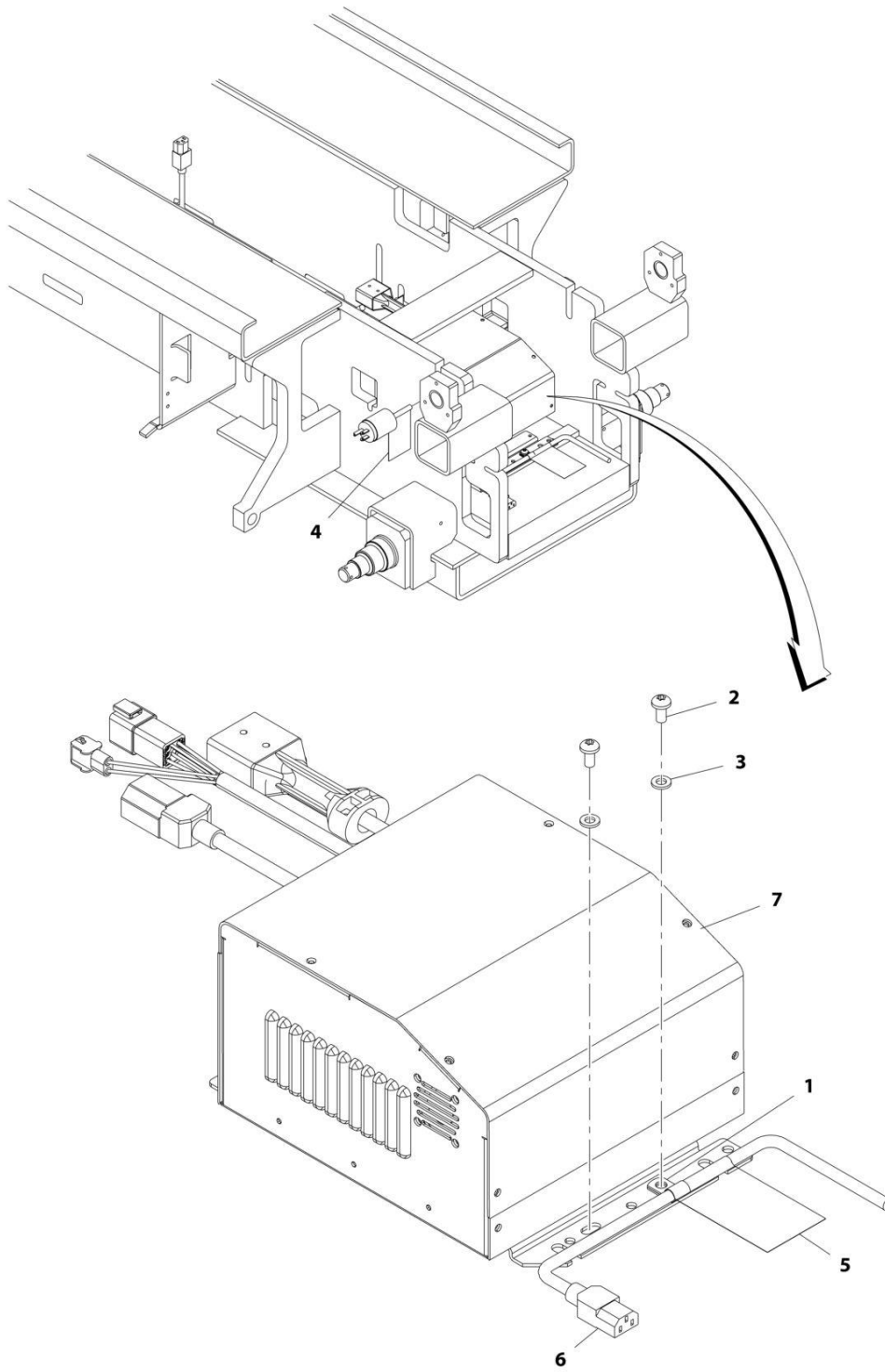
SECTION 1 - FRAME

FIGURE 1-21. BATTERY CHARGER INSTALLATION - EAGLE PERFORMANCE (ANSI AND CSA SPEC)

ITEM	PART NUMBER	QTY	DESCRIPTION	REV
	1001179427	Ref	BATTERY CHARGER INSTALLATION - EAGLE PERFORMANCE	A
1	1321293	1	Clamp	
2	4191706	2	Screw M6 x 12	
3	4811700	2	Washer M6	
4	1001102258	1	Decal - AC to Platform	
5	1001102489	1	Decal - Charger Plug	
6	1001103257	1	Cable, Charger (AC Input)	
7	1001177842	1	Battery Charger Assembly (See Separate Breakdown in this Section)	

SECTION 1 - FRAME

FIGURE 1-22. BATTERY CHARGER INSTALLATION WITH LOCALLY SUPPLIED - EAGLE PERFORMANCE (ANSI AND CSA SPEC)



ART_1001180313

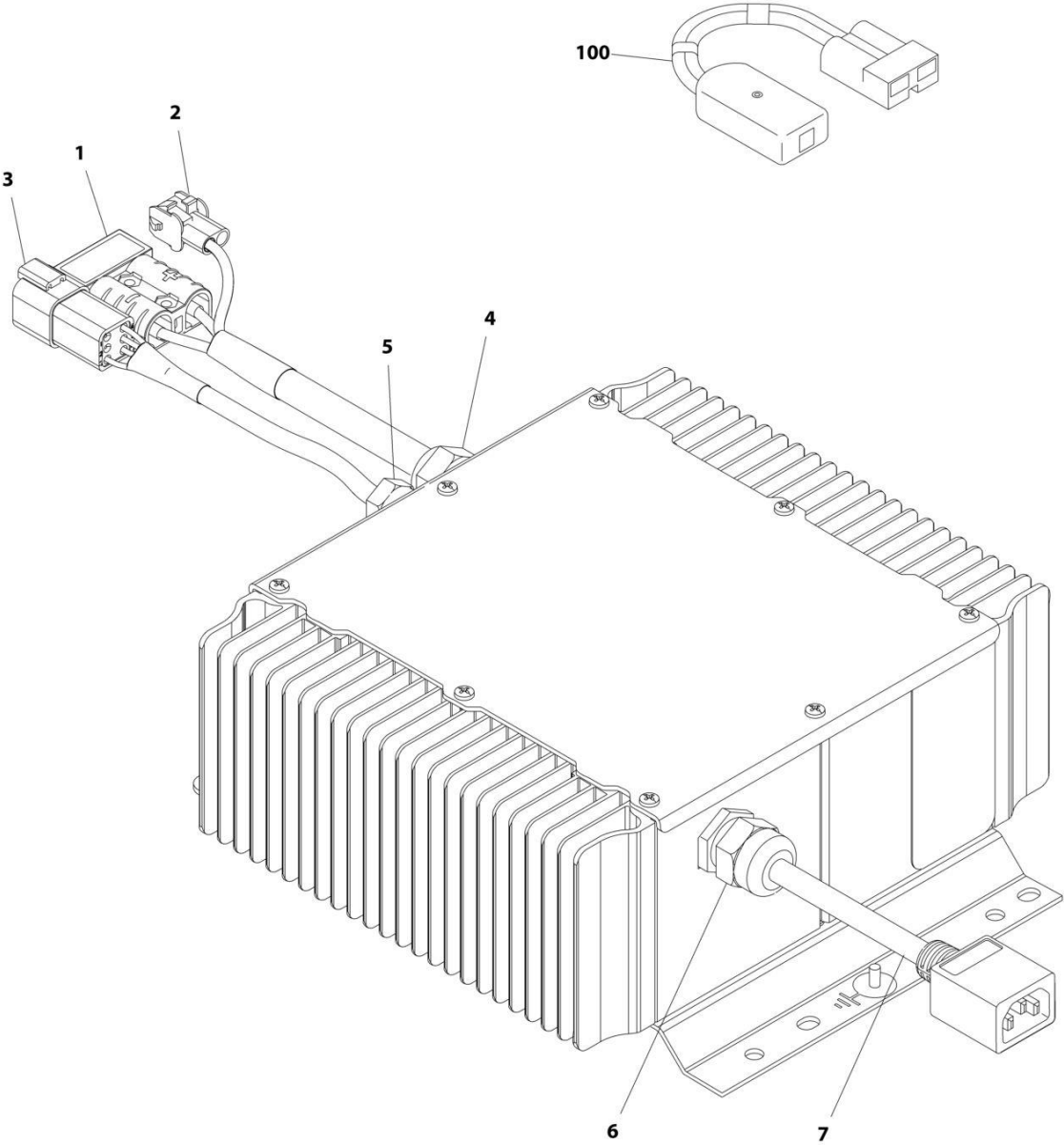
SECTION 1 - FRAME

FIGURE 1-22. BATTERY CHARGER INSTALLATION WITH LOCALLY SUPPLIED - EAGLE PERFORMANCE (ANSI AND CSA SPEC)

ITEM	PART NUMBER	QTY	DESCRIPTION	REV
	1001180313	Ref	BATTERY CHARGER INSTALLATION WITH LOCALLY SUPPLIED PLUG - EAGLE PERFORMANCE	A
1	1320136	1	Clamp	
2	4191706	2	Screw M6 x 12	
3	4811700	2	Washer M6	
4	1001102258	1	Decal - AC to Platform	
5	1001102489	1	Decal - Charger Plug	
6	1001103258	1	Cable, Charger (AC Input)	
7	1001177842	1	Battery Charger Assembly (See Separate Breakdown in this Section)	

SECTION 1 - FRAME

FIGURE 1-23. BATTERY CHARGER ASSEMBLY - DELTA-Q



ART_1001112111

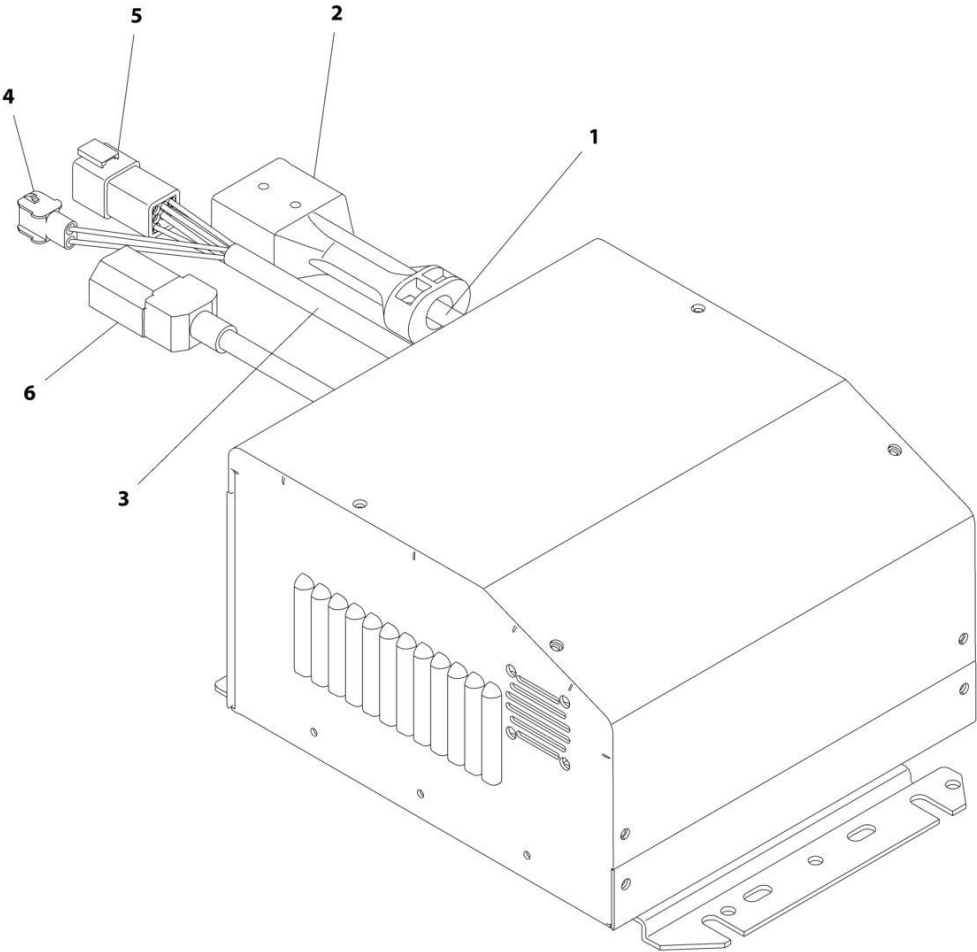
SECTION 1 - FRAME

FIGURE 1-23. BATTERY CHARGER ASSEMBLY - DELTA-Q

ITEM	PART NUMBER	QTY	DESCRIPTION	REV
	1001112111	Ref	BATTERY CHARGER ASSEMBLY - DELTA-Q	K
1	Not Available	1	Harness with Plug	
1	4460648	1	Plug, Anderson Battery Cable	
2	Not Available	1	Harness with Connector	
2	4460424	1	Connector, Female - 2 Position	
2	4460227	2	Pin, Male	
3	Not Available	1	Harness with Connector	
3	4460899	1	Connector, Female - 6 Position	
3	4460464	6	Pin, Male	
4	Not Available	1	Connector, Strain Relief	
5	Not Available	1	Connector, Strain Relief	
6	Not Available	1	Connector, Strain Relief	
7	Not Available	1	Harness with Connector	
100	2915230	1	BATTERY CHARGER REPROGRAM CONTROLLER KIT (Includes Controller, Software and Instructions)	

SECTION 1 - FRAME

FIGURE 1-24. BATTERY CHARGER ASSEMBLY EAGLE PERFORMANCE



ART_1001177842

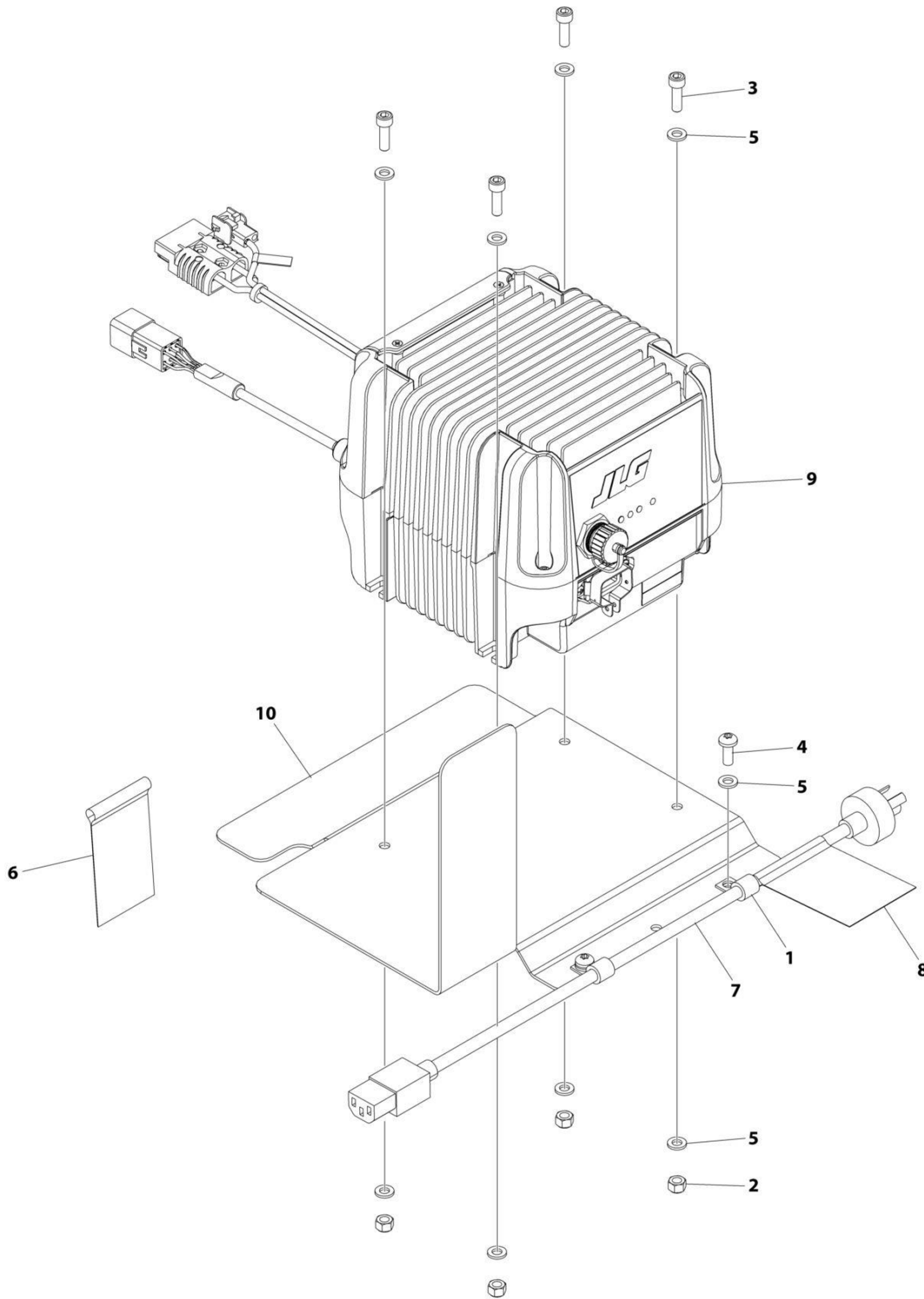
SECTION 1 - FRAME

FIGURE 1-24. BATTERY CHARGER ASSEMBLY EAGLE PERFORMANCE

ITEM	PART NUMBER	QTY	DESCRIPTION	REV
	1001177842	Ref	BATTERY CHARGER ASSEMBLY - EAGLE PERFORMANCE	A
1	Not Available	1	Harness with Plug	
2	Not Available	1	Plug, Battery Cable	
3	Not Available	1	Harness	
4	4460424	1	Connector, Female - 2 Position	
4	4460227	2	Pin, Male	
5	4460899	1	Connector, Female - 6 Position	
5	4460464	6	Pin, Male	
6	Not Available	1	Harness with Connector	

SECTION 1 - FRAME

FIGURE 1-25. BATTERY CHARGER INSTALLATION - GREEN POWER (CHINESE PLUG) (CHINESE SPECS)



ART_1001242757

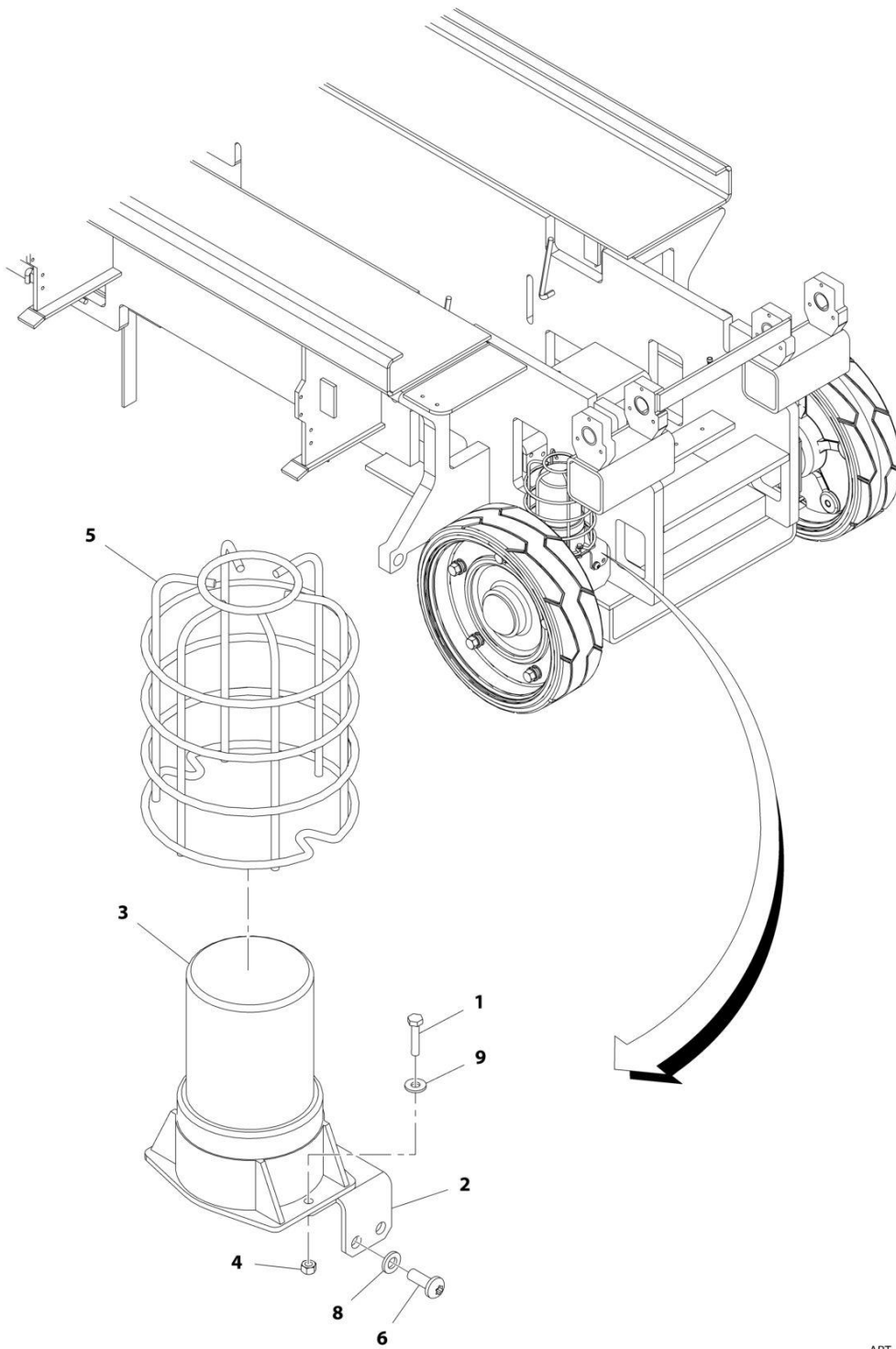
SECTION 1 - FRAME

FIGURE 1-25. BATTERY CHARGER INSTALLATION - GREEN POWER (CHINESE PLUG) (CHINESE SPECS)

ITEM	PART NUMBER	QTY	DESCRIPTION	REV
	1001242757	Ref	BATTERY CHARGER INSTALLATION - GREEN POWER (CHINESE PLUG)	A
1	1321293	2	Clamp	
2	3290605	4	Nut M6	
3	4031708	4	Capscrew M6 x 20	
4	4191707	2	Screw M6 x 16	
5	4811700	10	Washer M6	
6	1001102258	1	Decal - AC to Platform	
7	1001172010	1	Cable, Charger (AC Input)	
8	1001215870	1	Decal - Charger Plug	
9	1001218595	1	Charger, Battery - Green Power	
10	1001242542	1	Bracket	
11	1001112113	1	Sensor, Temperature (Not Shown - Located on Negative Battery Terminal)	

SECTION 1 - FRAME

FIGURE 1-26. BEACON (AMBER) LIGHT INSTALLATION (OPTIONAL)



ART_0272309

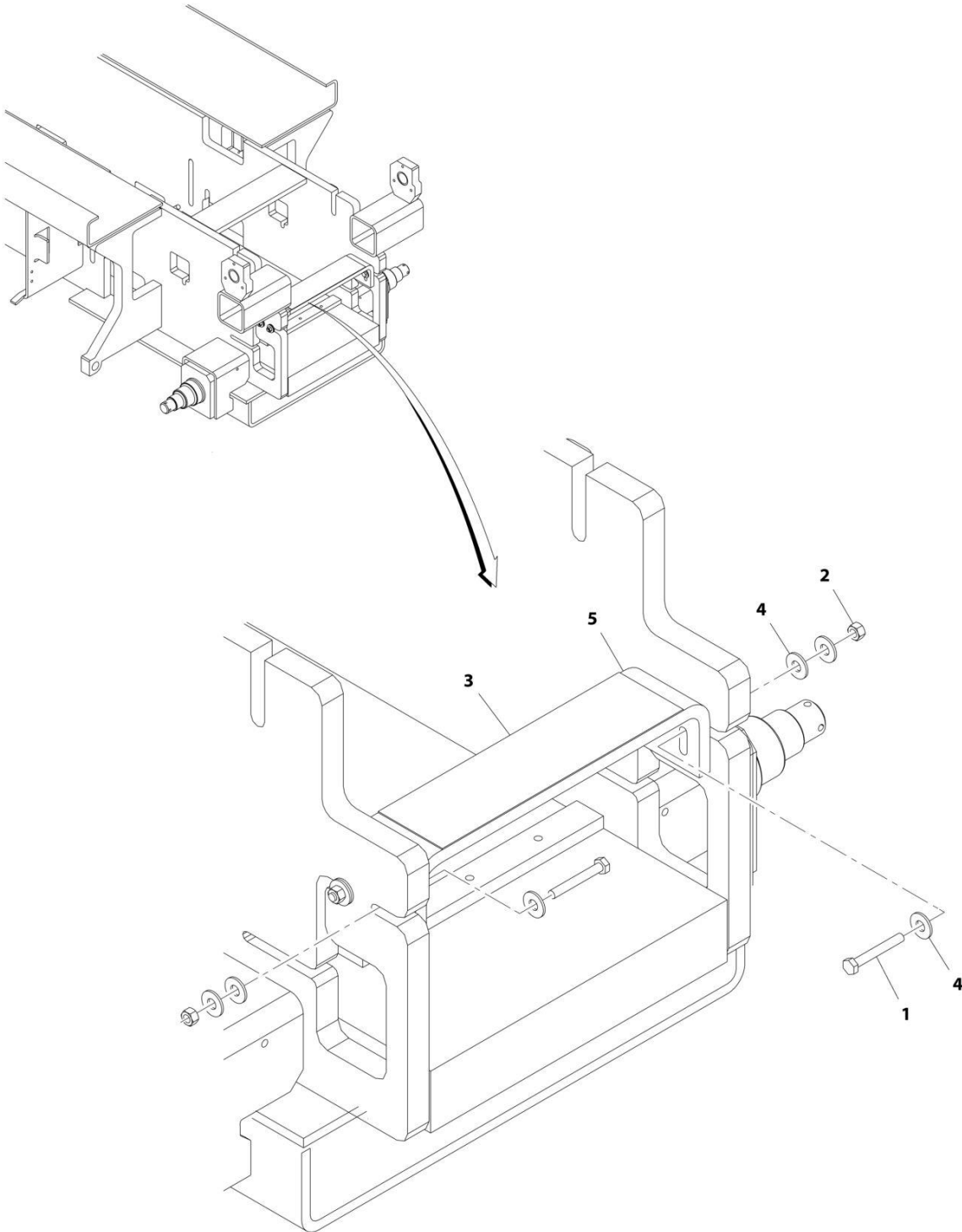
SECTION 1 - FRAME

FIGURE 1-26. BEACON (AMBER) LIGHT INSTALLATION (OPTIONAL)

ITEM	PART NUMBER	QTY	DESCRIPTION	REV
	0272309	Ref	BEACON (AMBER) LIGHT INSTALLATION (OPTIONAL)	E
		Ref	Note: See SPECIAL OPTIONS SECTION for Machines with 2 Beacon Lights.	
1	0760410	2	Screw M4 x 20	
2	0902905	1	Bracket	
3	2920161	1	Light, Beacon	
4	3290405	2	Nut M4	
5	4060865	1	Guard	
6	4191707	2	Screw M6 x 16	
8	4811700	2	Washer M6	
9	4750800	2	Washer #8	

SECTION 1 - FRAME

FIGURE 1-27. LADDER INSTALLATION - 1930ES



ART_1001177410

SECTION 1 - FRAME

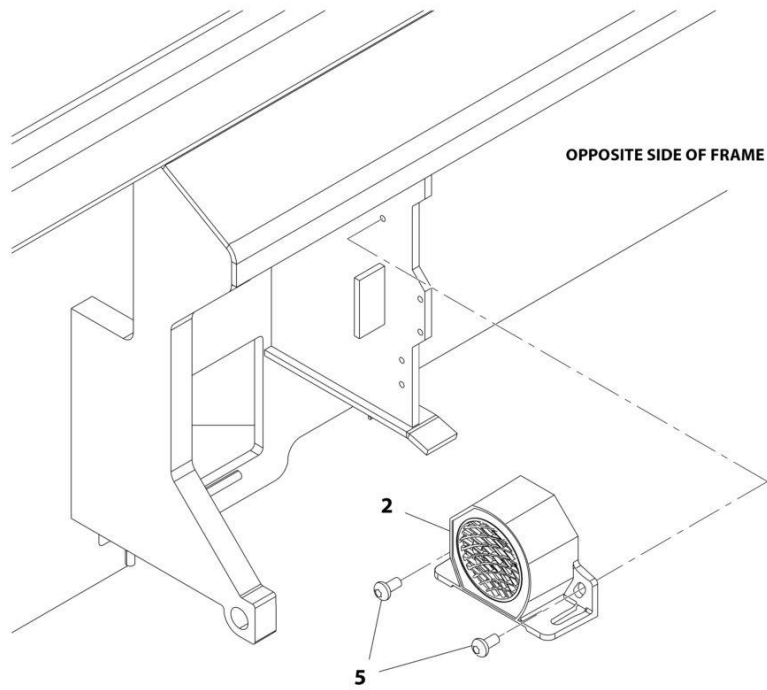
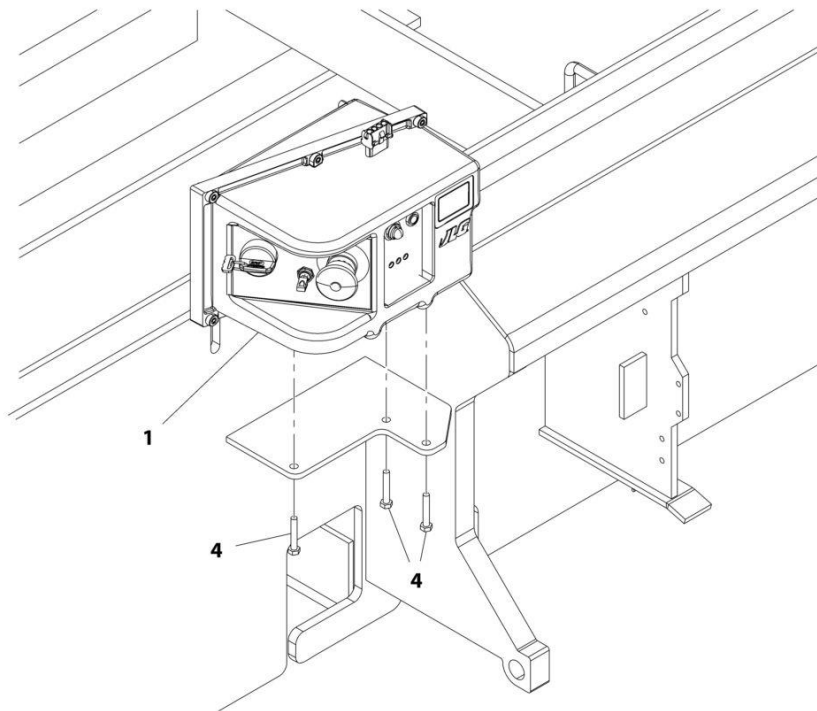
FIGURE 1-27. LADDER INSTALLATION - 1930ES

ITEM	PART NUMBER	QTY	DESCRIPTION	REV
	1001177410	Ref	LADDER INSTALLATION	B
1	0700617	4	Bolt M6 x 45	
2	3290607	4	Nut M6	
3	4420080	1	Tape, Anti - Skid	
4	4751400	12	Washer 1/4	
5	1001177418	1	Ladder	

SECTION 2 - GROUND COMPONENTS

SECTION 2 - GROUND COMPONENTS

FIGURE 2-1. GROUND CONTROL BOX/ALARM INSTALLATION - NO LSS (SN 0200239382 to Present, SN B200023285 to Present, SN M200000100 through M200040097)



ART_1001166823

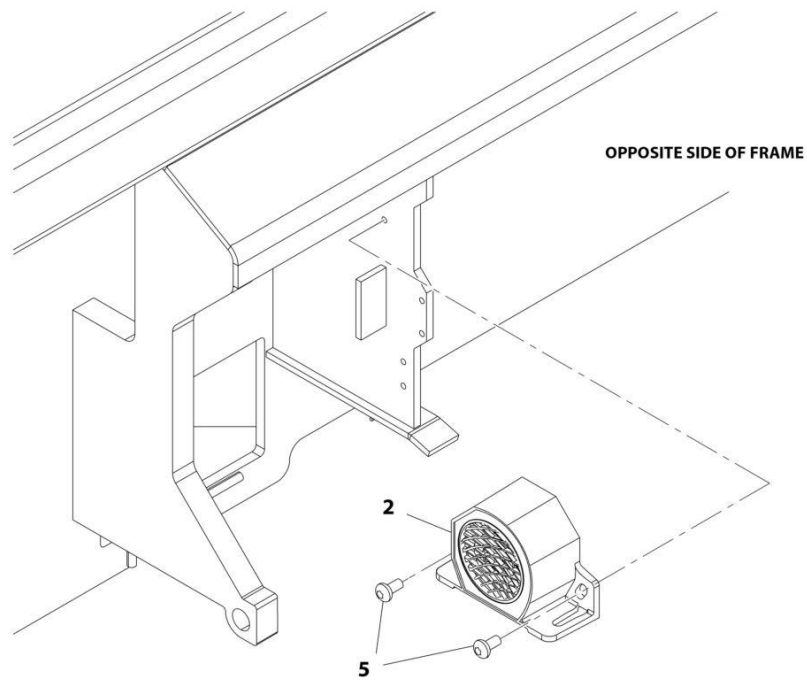
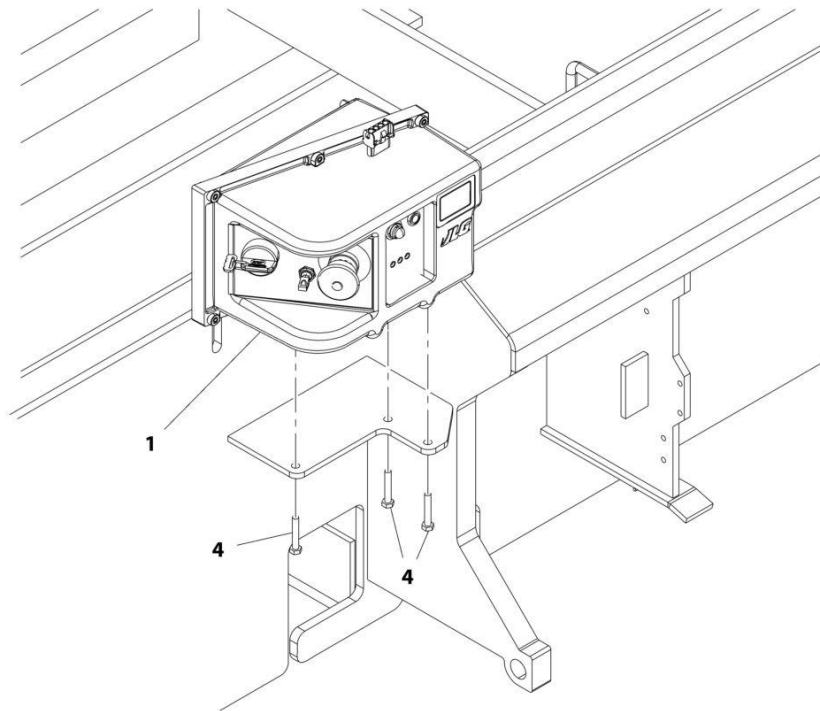
SECTION 2 - GROUND COMPONENTS

FIGURE 2-1. GROUND CONTROL BOX/ALARM INSTALLATION - NO LSS (SN 0200239382 to Present, SN B200023285 to Present, SN M200000100 through M200040097)

ITEM	PART NUMBER	QTY	DESCRIPTION	REV
	1001166823	Ref	GROUND CONTROL BOX/ALARM INSTALLATION - NO LSS Note: Standard Alarm located on LH side of operators position on machine. Optional Alarms are located on the RH Side of operators position on machines. For optional alarm components, See SPECIAL OPTIONS Section.	B
		Ref		
1	1001166194	1	Ground Control Box Assembly (See GROUND CONTROL BOX ASSEMBLY - NO LSS for Breakdown)	
2	0140043	1	Alarm	
2	4460536	1	Receptacle, Female - 3 Position	
2	4460464	3	Pin, Male	
4	0700615	3	Bolt M6 x 35	
5	4191706	2	Screw M6 x 12	

SECTION 2 - GROUND COMPONENTS

FIGURE 2-2. GROUND CONTROL BOX/ALARM INSTALLATION - NO LSS (SN B200020297 through B200023284)



ART_1001114885

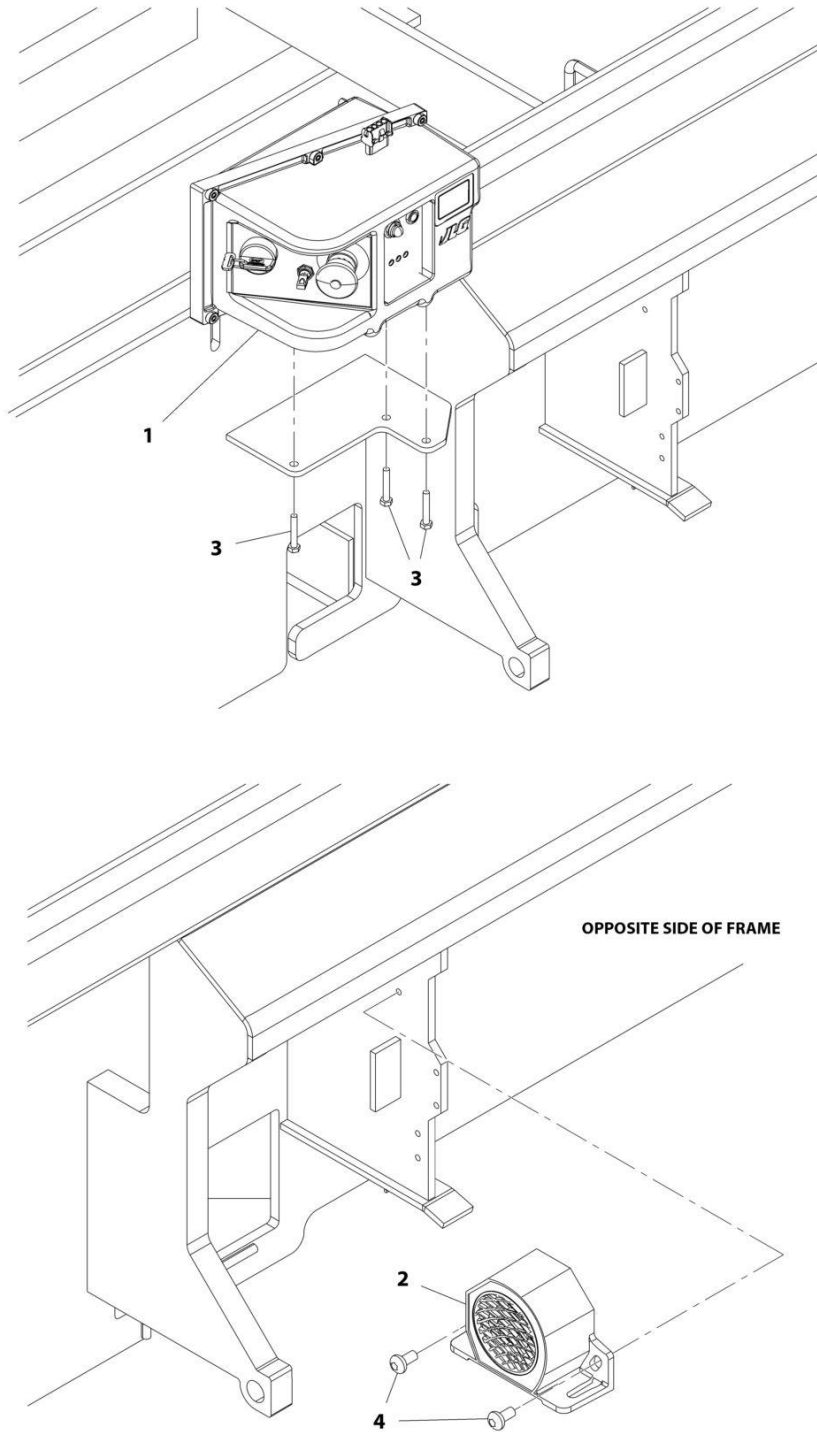
SECTION 2 - GROUND COMPONENTS

FIGURE 2-2. GROUND CONTROL BOX/ALARM INSTALLATION - NO LSS (SN B200020297 through B200023284)

ITEM	PART NUMBER	QTY	DESCRIPTION	REV
	1001114885	Ref	GROUND CONTROL BOX/ALARM INSTALLATION - NO LSS	A
		Ref	Note: Standard Alarm located on LH side of operators position on machine. Optional Alarms are located on the RH Side of operators position on machines. For optional alarm components, See SPECIAL OPTIONS Section.	
1	1001114929	1	Ground Control Box Assembly (See GROUND CONTROL BOX ASSEMBLY - NO LSS for Breakdown)	
2	0140043	1	Alarm	
2	4460536	1	Receptacle, Female - 3 Position	
2	4460464	3	Pin, Male	
4	0700615	3	Bolt M6 x 35	
5	4191706	2	Screw M6 x 12	

SECTION 2 - GROUND COMPONENTS

FIGURE 2-3. GROUND CONTROL BOX/ALARM INSTALLATION - LSS (ALL SPECS EXCEPT CE SPECS) (SN 0200239382 to Present, SN B200023285 to Present, SN M200000100 through M200040097)



ART_1001166828

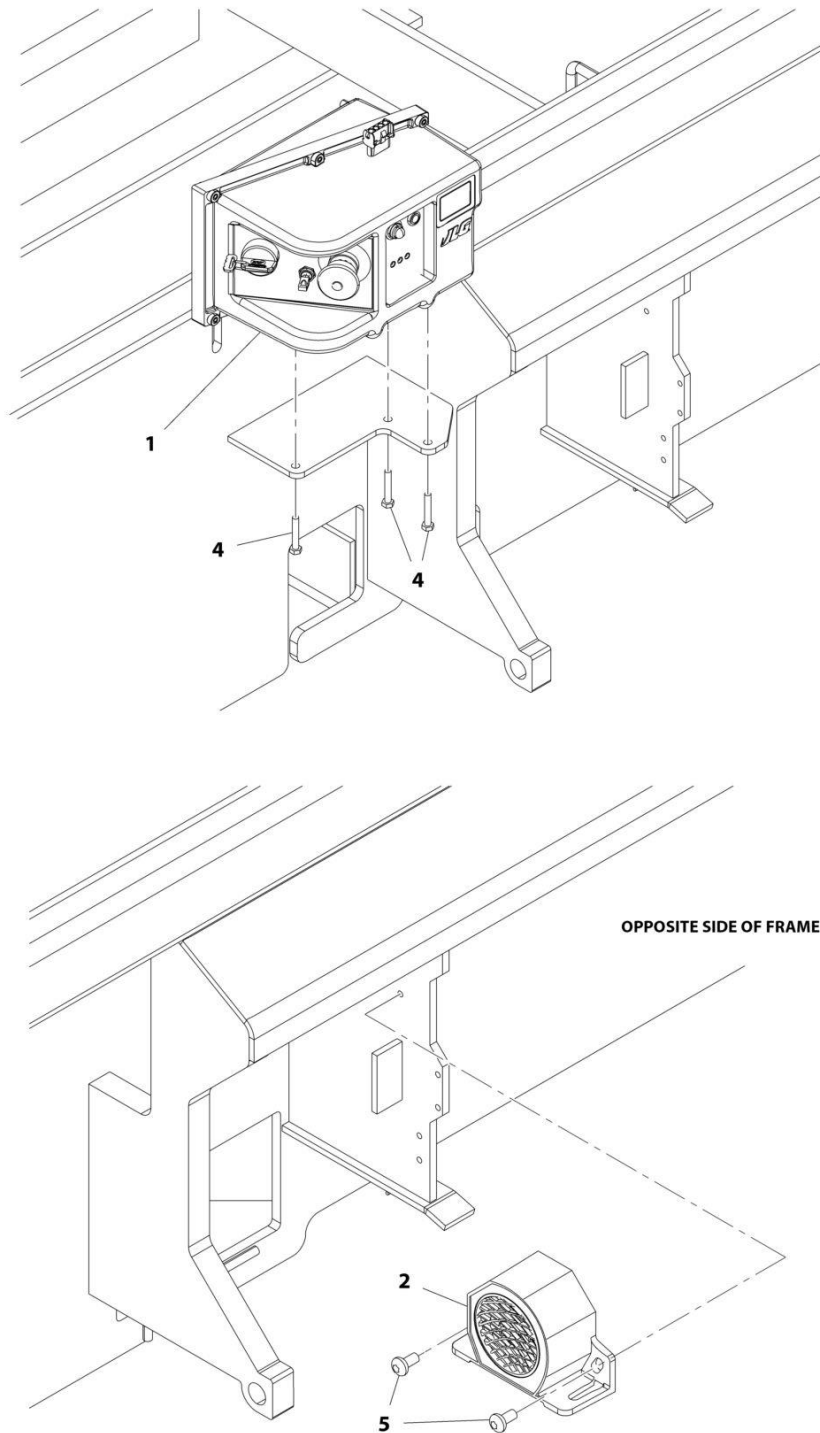
SECTION 2 - GROUND COMPONENTS

FIGURE 2-3. GROUND CONTROL BOX/ALARM INSTALLATION - LSS (ALL SPECS EXCEPT CE SPECS) (SN 0200239382 to Present, SN B200023285 to Present, SN M200000100 through M200040097)

ITEM	PART NUMBER	QTY	DESCRIPTION	REV
	1001166828	Ref	GROUND CONTROL BOX/ALARM INSTALLATION - LSS	B
		Ref	Note: Standard Alarm located on LH side of operators position on machine. Optional Alarms are located on the RH Side of operators position on machines. For optional alarm components, See SPECIAL OPTIONS Section.	
1	1001166197	1	Ground Control Box Assembly (See Separate Breakdown in this Section)	
2	0140043	1	Alarm	
2	4460536	1	Receptacle, Female - 3 Position	
2	4460464	3	Pin, Male	
3	0700615	3	Bolt M6 x 35	
4	4191706	2	Screw M6 x 12	

SECTION 2 - GROUND COMPONENTS

FIGURE 2-4. GROUND CONTROL BOX/ALARM INSTALLATION - LSS (ALL SPECS EXCEPT CE SPECS) (SN B200020297 through B200023284)



ART_100114886

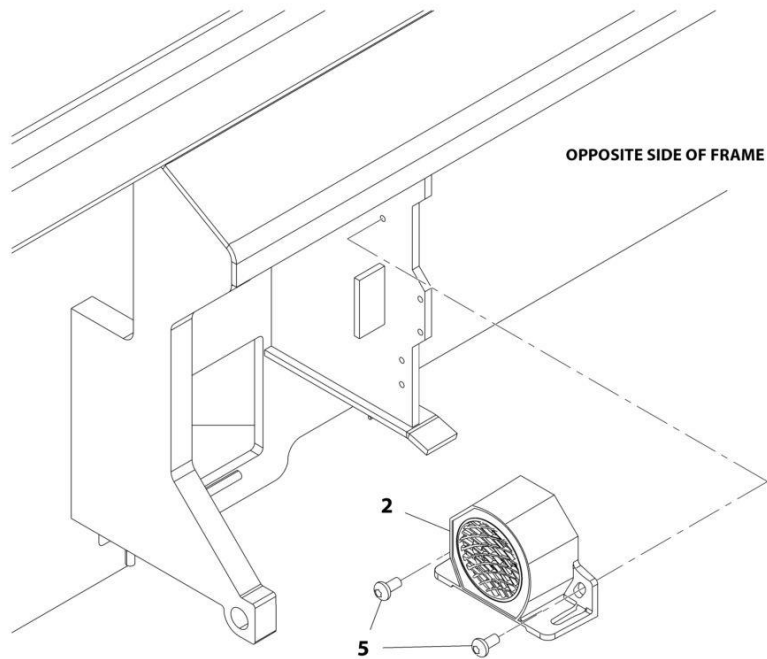
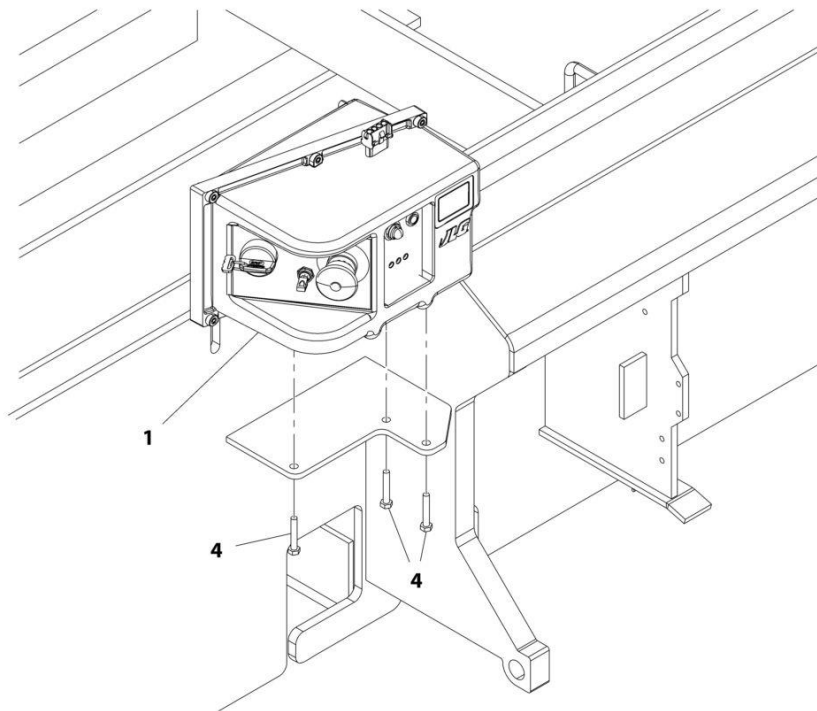
SECTION 2 - GROUND COMPONENTS

FIGURE 2-4. GROUND CONTROL BOX/ALARM INSTALLATION - LSS (ALL SPECS EXCEPT CE SPECS) (SN B200020297 through B200023284)

ITEM	PART NUMBER	QTY	DESCRIPTION	REV
	1001114886	Ref	GROUND CONTROL BOX/ALARM INSTALLATION - LSS	A
		Ref	Note: Standard Alarm located on LH side of operators position on machine. Optional Alarms are located on the RH Side of operators position on machines. For optional alarm components, See SPECIAL OPTIONS Section.	
1	1001114932	1	Ground Control Box Assembly (See GROUND CONTROL BOX ASSEMBLY - LSS (ALL SPECS EXCEPT CE SPECS) for Breakdown)	
2	0140043	1	Alarm	
2	4460536	1	Receptacle, Female - 3 Position	
2	4460464	3	Pin, Male	
4	0700615	3	Bolt M6 x 35	
5	4191706	2	Screw M6 x 12	

SECTION 2 - GROUND COMPONENTS

FIGURE 2-5. GROUND CONTROL BOX/ALARM INSTALLATION - LSS (CE SPEC) (SN 0200239382 through 0200241828)



ART_1001166825

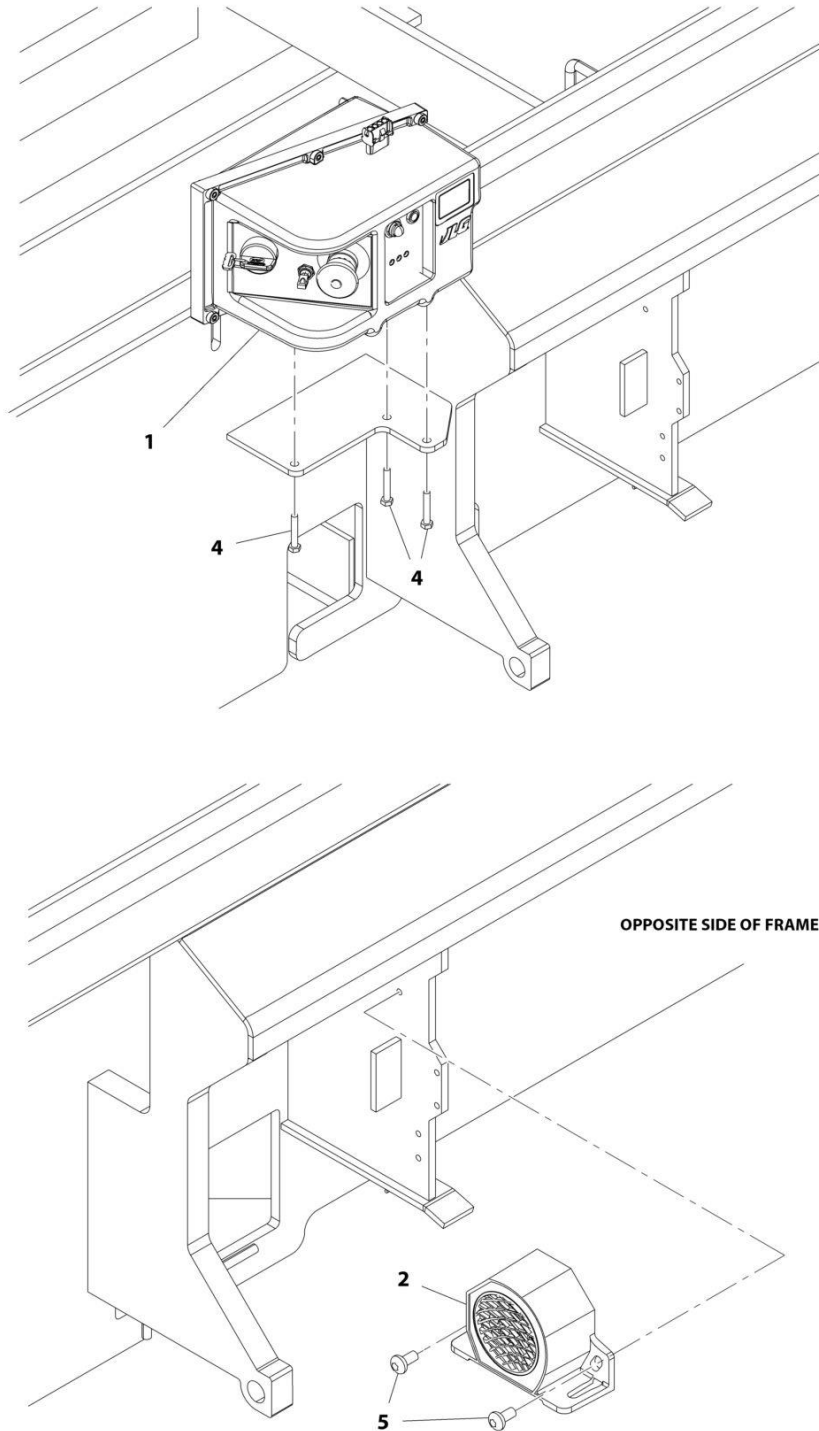
SECTION 2 - GROUND COMPONENTS

FIGURE 2-5. GROUND CONTROL BOX/ALARM INSTALLATION - LSS (CE SPEC) (SN 0200239382 through 0200241828)

ITEM	PART NUMBER	QTY	DESCRIPTION	REV
	1001166825	Ref	GROUND CONTROL BOX/ALARM INSTALLATION - LSS	B
		Ref	Note: Standard Alarm located on LH side of operators position on machine. Optional Alarms are located on the RH Side of operators position on machines. For optional alarm components, See SPECIAL OPTIONS Section.	
1	1001166195	1	Ground Control Box Assembly (See GROUND CONTROL BOX ASSEMBLY - LSS (CE SPECS) for Breakdown)	
2	0140043	1	Alarm	
2	4460536	1	Receptacle, Female - 3 Position	
2	4460464	3	Pin, Male	
4	0700615	3	Bolt M6 x 35	
5	4191706	2	Screw M6 x 12	

SECTION 2 - GROUND COMPONENTS

FIGURE 2-6. GROUND CONTROL BOX/ALARM INSTALLATION - LSS (CE SPEC) (SN B200020297 through B200021650)



ART_1001114925

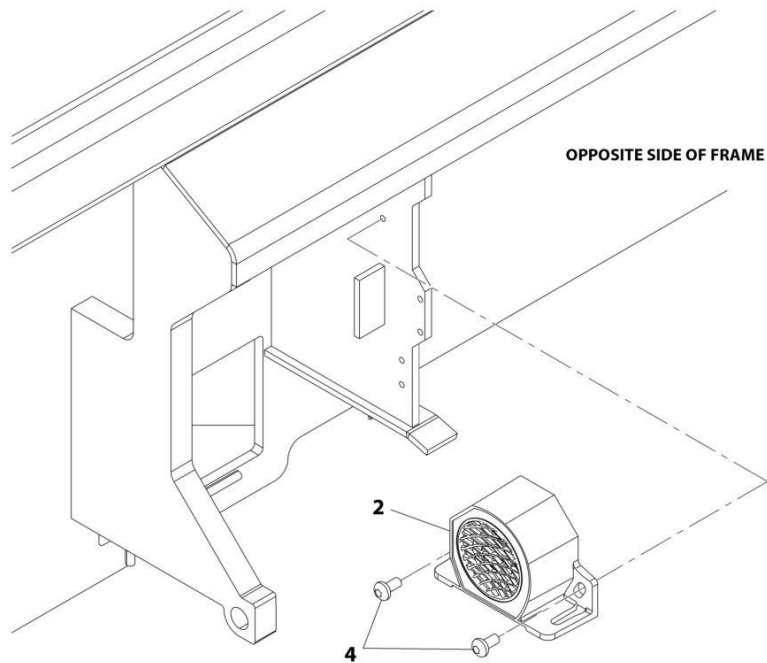
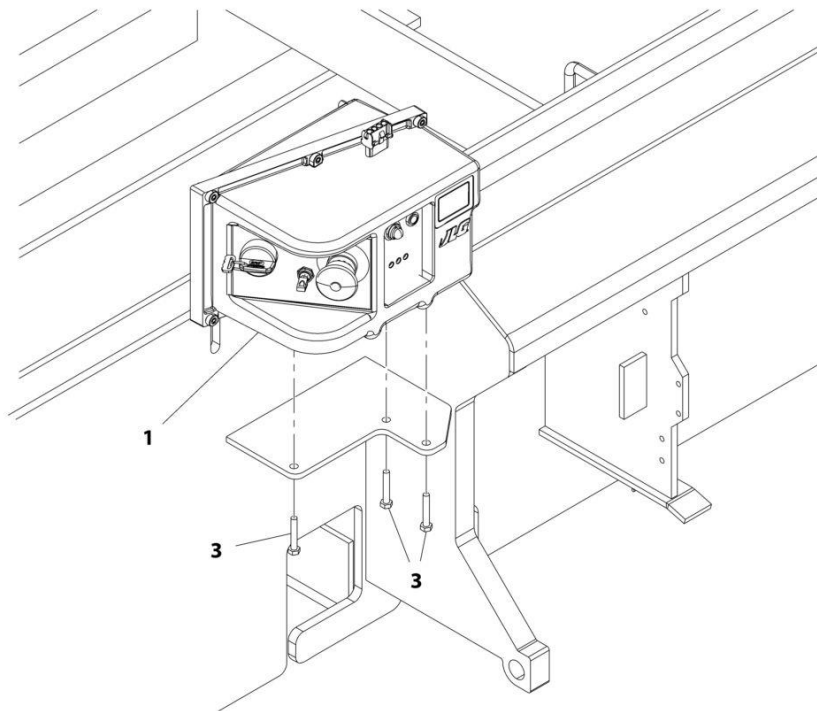
SECTION 2 - GROUND COMPONENTS

FIGURE 2-6. GROUND CONTROL BOX/ALARM INSTALLATION - LSS (CE SPEC) (SN B200020297 through B200021650)

ITEM	PART NUMBER	QTY	DESCRIPTION	REV
	1001114925	Ref	GROUND CONTROL BOX/ALARM INSTALLATION - LSS Note: Standard Alarm located on LH side of operators position on machine. Optional Alarms are located on the RH Side of operators position on machines. For optional alarm components, See SPECIAL OPTIONS Section.	A
		Ref		
1	1001114930	1	Ground Control Box Assembly (See GROUND CONTROL BOX ASSEMBLY - LSS (CE SPECS) for Breakdown)	
2	0140043	1	Alarm	
2	4460536	1	Receptacle, Female - 3 Position	
2	4460464	3	Pin, Male	
4	0700615	3	Bolt M6 x 35	
5	4191706	2	Screw M6 x 12	

SECTION 2 - GROUND COMPONENTS

FIGURE 2-7. GROUND CONTROL BOX/ALARM INSTALLATION - LSS (CE SPECS) (SN 0200241829 to Present, SN B200021651 to Present, SN M200000100 through M200040097)



ART_1001166828

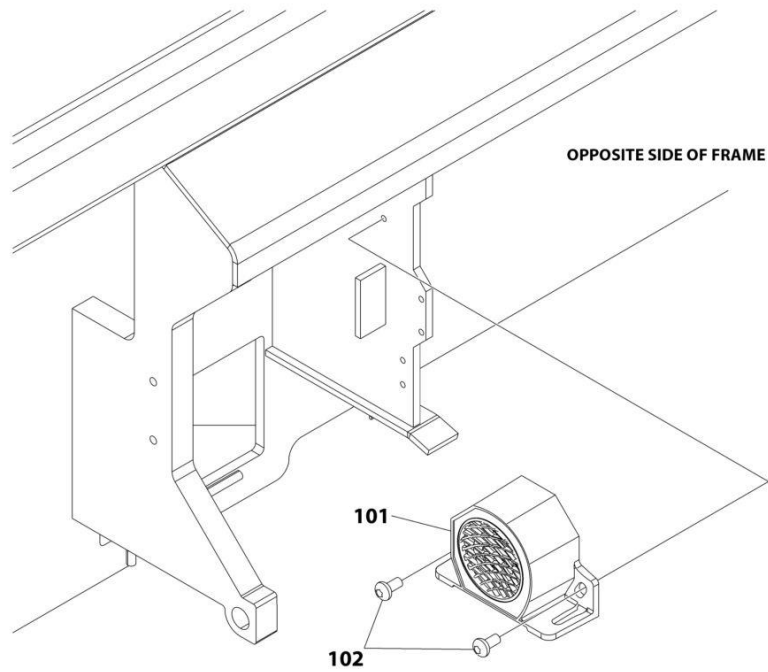
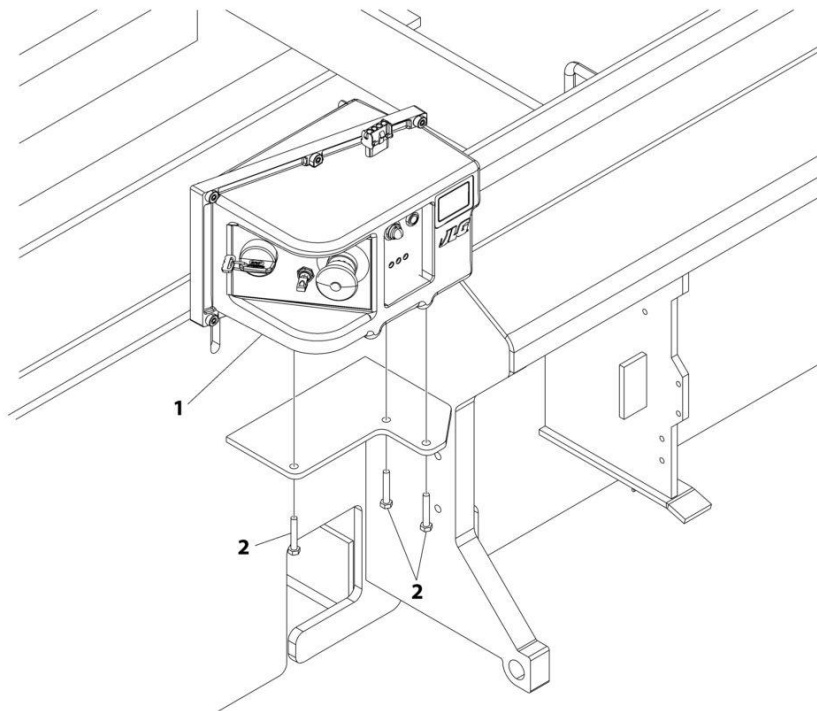
SECTION 2 - GROUND COMPONENTS

FIGURE 2-7. GROUND CONTROL BOX/ALARM INSTALLATION - LSS (CE SPECS) (SN 0200241829 to Present, SN B200021651 to Present, SN M200000100 through M200040097)

ITEM	PART NUMBER	QTY	DESCRIPTION	REV
	1001166828	Ref	GROUND CONTROL BOX/ALARM INSTALLATION - LSS Note: Standard Alarm located on LH Side of operators position on machine. Optional Alarms are located on the RH Side of operators position on machines. For optional alarm components, See SPECIAL OPTIONS Section.	B
		Ref		
1	1001166197	1	Ground Control Box Assembly (See GROUND CONTROL BOX ASSEMBLY - LSS for Breakdown)	
2	0140043	1	Alarm	
2	4460536	1	Receptacle, Female - 3 Position	
2	4460464	3	Pin, Male	
3	0700615	3	Bolt M6 x 35	
4	4191706	2	Screw M6 x 12	

SECTION 2 - GROUND COMPONENTS

FIGURE 2-8. GROUND CONTROL BOX/ALARM INSTALLATION - LSS (CE SPECS) (SN 1200025022 to Present)



ART_1001215247

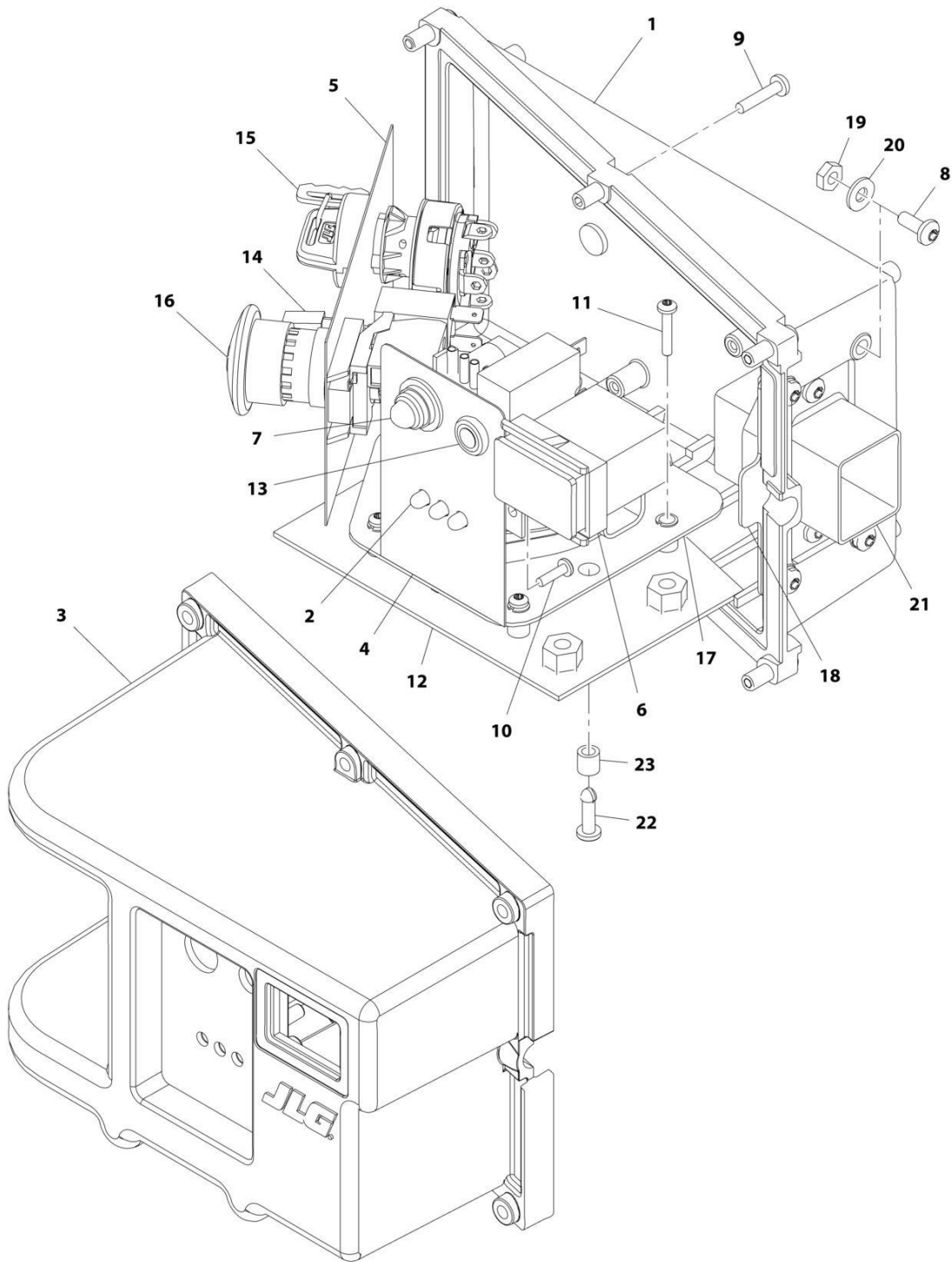
SECTION 2 - GROUND COMPONENTS

FIGURE 2-8. GROUND CONTROL BOX/ALARM INSTALLATION - LSS (CE SPECS) (SN 1200025022 to Present)

ITEM	PART NUMBER	QTY	DESCRIPTION	REV
1	1001215247	Ref	GROUND CONTROL BOX/ALARM INSTALLATION - LSS	A
	1001166197	1	Ground Control Box Assembly (See GROUND CONTROL BOX ASSEMBLY - LSS (CE SPECS) for Breakdown)	
2	0700615	3	Bolt M6 x 35	
	1001215248	Ref	Alarm Installation (SN 1200025022 to Present)	A
101	0140043	1	Alarm	
101	4460536	1	Receptacle, Female - 3 Position	
101	4460464	3	Pin, Male	
102	4191706	2	Screw M6 x 12	

SECTION 2 - GROUND COMPONENTS

FIGURE 2-9. GROUND CONTROL BOX ASSEMBLY - NO LSS (SN 0200239382 to Present, SN B200023285 to Present, SN M200000100 through M200040097)



ART_1001166194

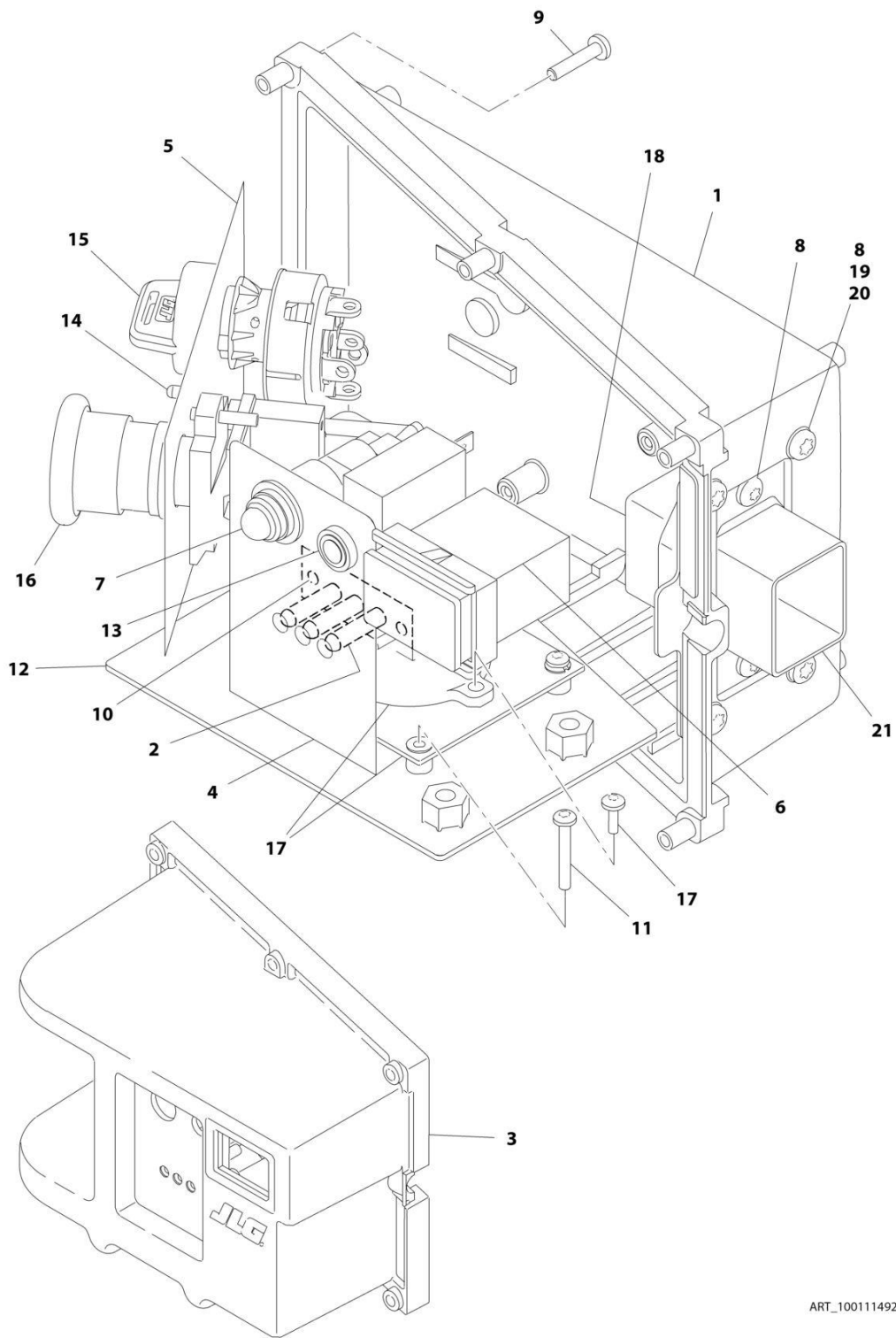
SECTION 2 - GROUND COMPONENTS

FIGURE 2-9. GROUND CONTROL BOX ASSEMBLY - NO LSS (SN 0200239382 to Present, SN B200023285 to Present, SN M200000100 through M200040097)

ITEM	PART NUMBER	QTY	DESCRIPTION	REV
	1001166194	Ref	GROUND CONTROL BOX ASSEMBLY - NO LSS	I
1	0380025	1	Base, Box	
2	0610161	1	PC Board, Charger LED	
2	4460321	1	Plug, Male - 4 Position	
2	4460268	3	Socket, Female	
3	1671105	1	Cover	
4	1705696	1	Decal	
5	1705698	1	Decal	
6	2420172	1	Hourmeter	
7	3520193	1	Plug	
8	3900336	6	Screw	
9	3900338	6	Screw	
10	3900339	2	Screw	
11	1001180090	4	Screw M3.5 x 20	
12	1001165315	1	Support	
13	4360069	1	Breaker, Circuit 10A	
14	4360328	1	Switch, Toggle	
15	4360469	1	Switch, Key	
15	2860030	1	Key, Replacement	
16	4360475	1	Switch, Emergency Stop	
16	7020175	1	Cap	
16	7020176	1	Block, Contact	
17	1001166255	1	Sensor, Tilt (Includes Sensor, Mounting Plate and Hardware)	
17	3931412	3	Screw 1/4 x 3/4	
17	1001163095	1	Sensor	
17	1001165316	1	Mount, Sensor	
17	1001166776	4	Mount, Standoff	
18	1001114937	1	Mount, Harness	
19	3321005	4	Nut #10-32	
20	4751000	4	Washer #10	
21	1001167256	1	Harness, Ground Control Box (See ELECTRICAL SECTION for Breakdown) (SN 0200239382 through 0200266379, SN B200020297 through B200042930, SN M200000100 through M200012179)	
21	1001208641	1	Harness, Ground Control Box (See ELECTRICAL SECTION for Breakdown) (SN 0200266380 to Present, SN B200042931 to Present, SN M200012180 through M200040097)	
22	1001165284	1	Fastener	
23	1001165286	1	Spacer	

SECTION 2 - GROUND COMPONENTS

FIGURE 2-10. GROUND CONTROL BOX ASSEMBLY - NO LSS (SN B200020297 through B200023284)



ART_1001114929

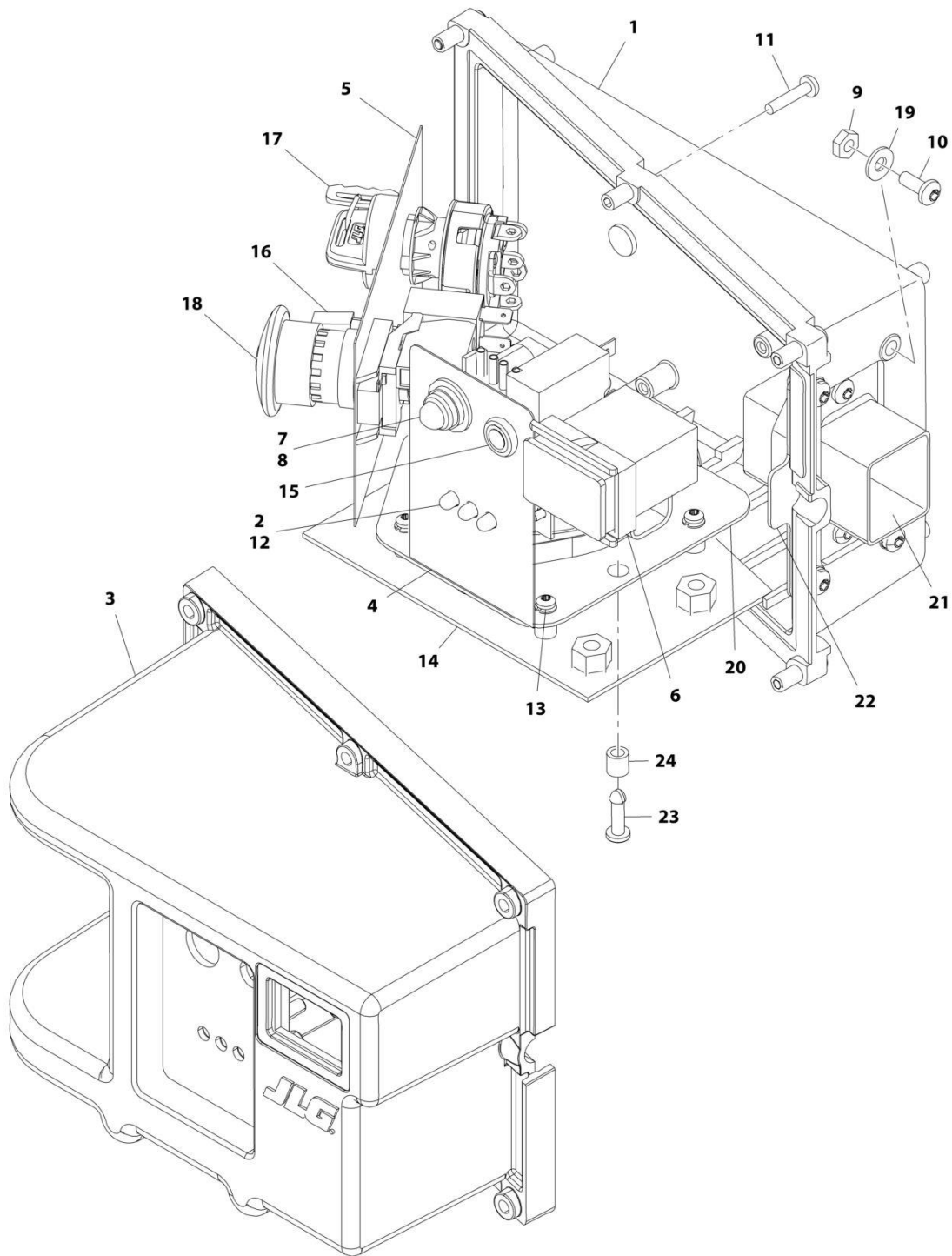
SECTION 2 - GROUND COMPONENTS

FIGURE 2-10. GROUND CONTROL BOX ASSEMBLY - NO LSS (SN B200020297 through B200023284)

ITEM	PART NUMBER	QTY	DESCRIPTION	REV
	1001114929	Ref	GROUND CONTROL BOX ASSEMBLY - NO LSS	B
1	0380025	1	Box, Ground Control	
2	0610161	1	Board, PC (Battery Charger LED)	
3	1671105	1	Cover, Front	
4	1705696	1	Decal - LED	
5	1705698	1	Decal - Function	
6	2420172	1	Hourmeter	
7	3520193	1	Plug	
8	3900336	6	Screw #10-32 x 1/2	
9	3900338	6	Screw M4 x 20	
10	3900339	2	Screw #6 x 1/2	
11	3900356	4	Screw M3.5 x 16	
12	4340739	1	Plate, Mounting	
13	4360069	1	Breaker, Circuit - 10Amp	
14	4360328	1	Switch, Toggle	
15	4360469	1	Switch, Key	
15	2860030	1	Key, Replacement (Fits All Specs)	
16	4360475	1	Switch, Emergency Stop	
16	7020175	1	Cap	
16	7020176	1	Block, Contact	
17	1001114933	NLA	Module, Tilt (Includes Module, Mounting Plate and Hardware) (Use p/n 1001169392)	
18	1001114937	1	Mount, Harness Bulkhead (Ground Control)	
19	3321005	4	Nut #10	
20	4751000	4	Washer #10	
21	1001114935	1	Harness, Control Box (See ELECTRICAL SECTION for Breakdown)	

SECTION 2 - GROUND COMPONENTS

FIGURE 2-11. GROUND CONTROL BOX ASSEMBLY - LSS (ALL SPECS EXCEPT CE) (SN 0200239382 to Present, SN B200023285 to Present, SN M200000100 through M200040097)



ART_1001166197

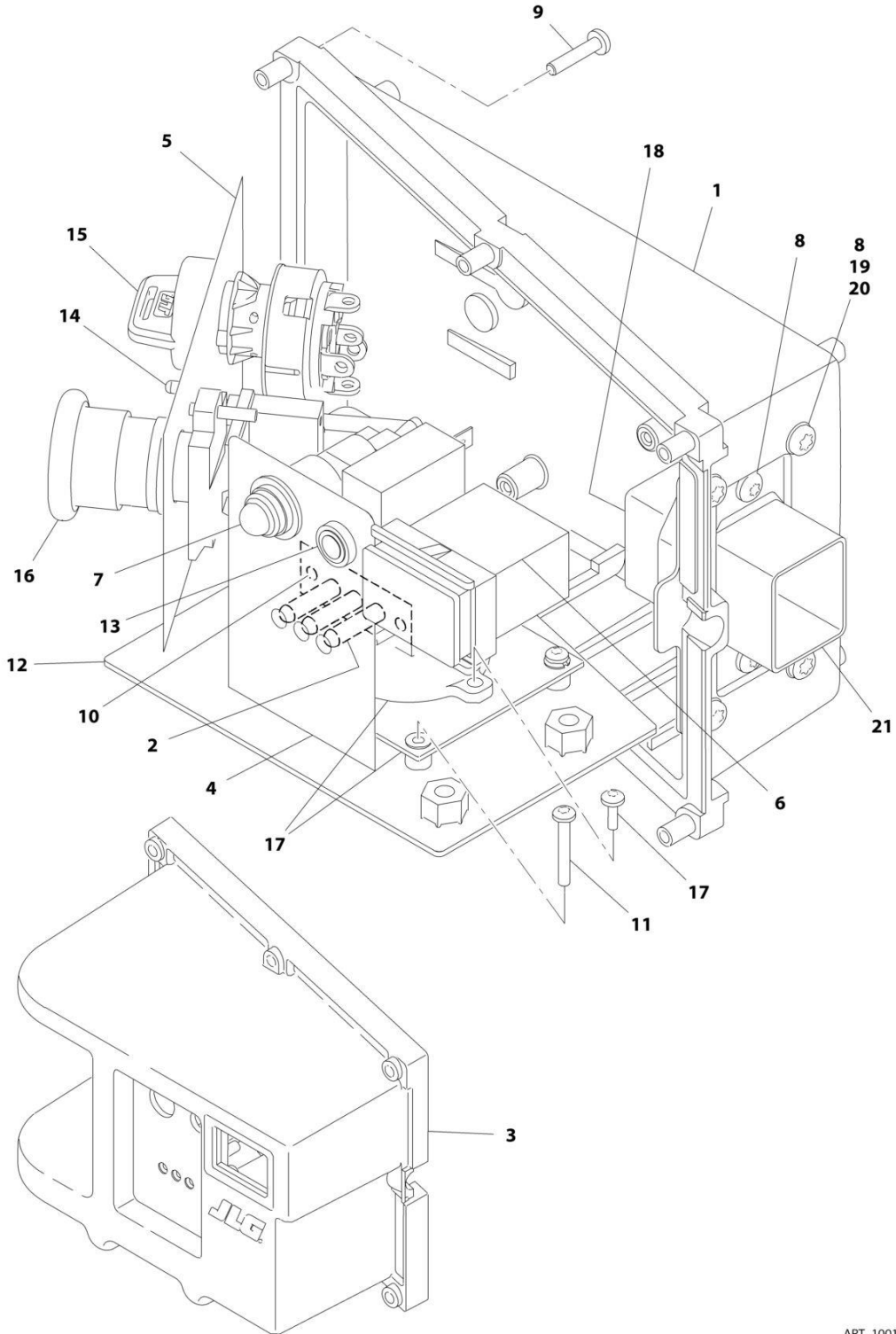
SECTION 2 - GROUND COMPONENTS

FIGURE 2-11. GROUND CONTROL BOX ASSEMBLY - LSS (ALL SPECS EXCEPT CE) (SN 0200239382 to Present, SN B200023285 to Present, SN M200000100 through M200040097)

ITEM	PART NUMBER	QTY	DESCRIPTION	REV
	1001166197	Ref	GROUND CONTROL BOX ASSEMBLY - LSS	E
1	0380025	1	Base, Box	
2	0610161	1	PC Board, Charger LED	
2	4460321	1	Plug, Male - 4 Position	
2	4460268	3	Socket, Female	
3	1671105	1	Cover	
4	1705697	1	Decal	
5	1705698	1	Decal	
6	2420172	1	Hourmeter	
7	2920026	1	Lamp	
8	2920094	1	Bulb	
9	3321005	4	Nut #10	
10	3900336	6	Screw	
11	3900338	6	Screw	
12	3900339	2	Screw	
13	1001180090	4	Screw M3.5 x 20	
14	1001165315	1	Support	
15	4360069	1	Breaker, Circuit 10Amp	
16	4360328	1	Switch, Toggle	
17	4360469	1	Switch, Key	
17	2860030	1	Key, Replacement	
18	4360475	1	Switch, Emergency Stop	
18	7020175	1	Cap	
18	7020176	1	Block, Contact	
19	4751000	4	Washer #10	
20	1001166255	1	Sensor, Tilt (Includes Sensor, Mounting Plate and Hardware)	
20	3931412	3	Screw 1/4 x 3/4	
20	1001163095	1	Sensor	
20	1001165316	1	Mount, Sensor	
20	1001166776	4	Mount, Standoff	
21	1001167256	1	Harness, Ground Control Box (See Separate Breakdown in ELECTRICAL SECTION)	
22	1001114937	1	Mount, Harness	
23	1001165284	1	Fastener	
24	1001165286	1	Spacer	

SECTION 2 - GROUND COMPONENTS

FIGURE 2-12. GROUND CONTROL BOX ASSEMBLY - LSS (ALL SPECS EXCEPT CE) (SN B200020297 through B200023284)



ART_1001114932

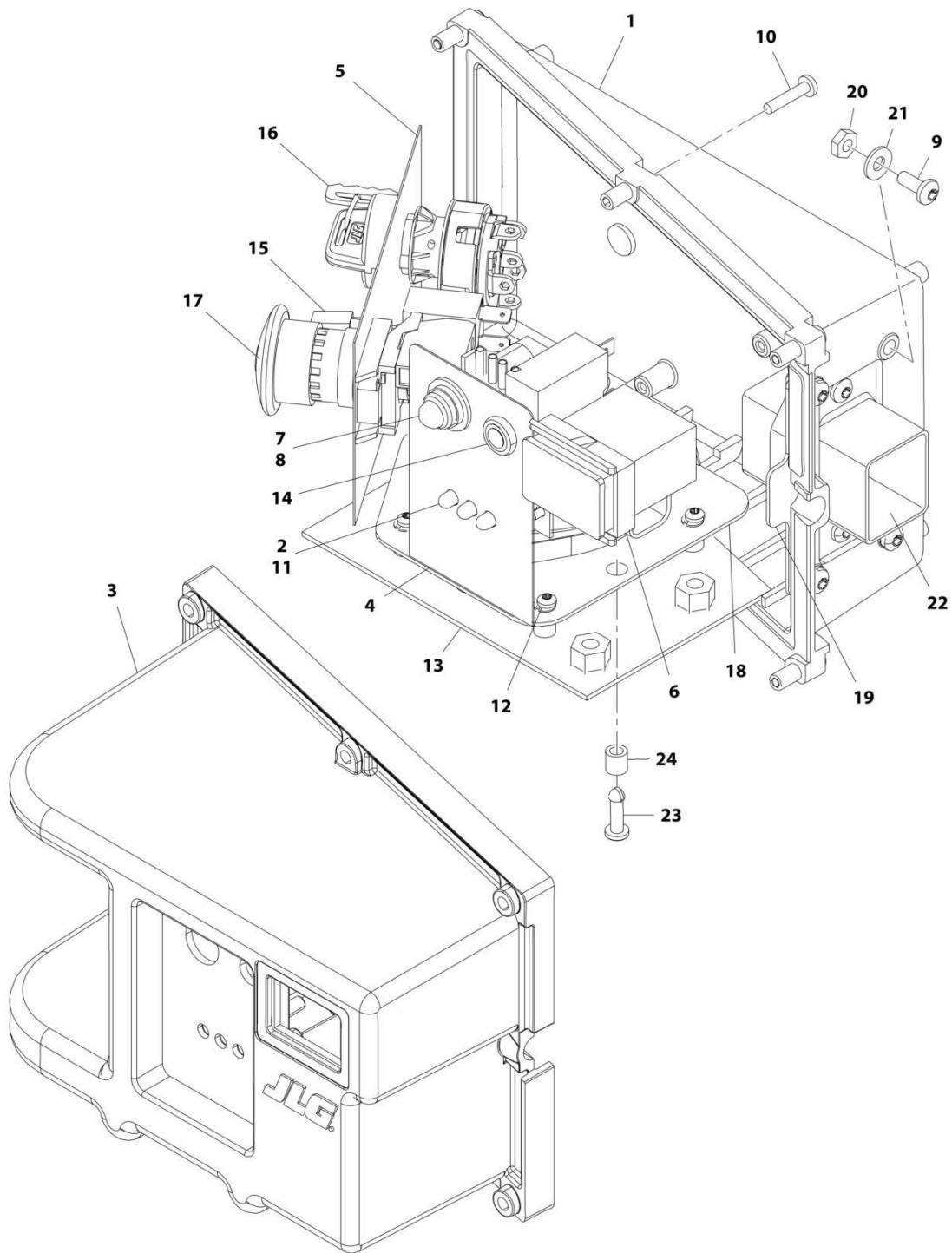
SECTION 2 - GROUND COMPONENTS

FIGURE 2-12. GROUND CONTROL BOX ASSEMBLY - LSS (ALL SPECS EXCEPT CE) (SN B200020297 through B200023284)

ITEM	PART NUMBER	QTY	DESCRIPTION	REV
	1001114932	Ref	GROUND CONTROL BOX ASSEMBLY - LSS	B
1	0380025	1	Box, Ground Control	
2	0610161	1	Board, PC (Battery Charger LED)	
3	1671105	1	Cover, Front	
4	1705697	1	Decal - LED	
5	1705698	1	Decal - Function	
6	2420172	1	Hourmeter	
7	2920026	1	Lamp	
7	2920094	AR	Bulb	
8	3900336	6	Screw #10-32NF x 1/2	
9	3900338	6	Screw M4 x 20	
10	3900339	2	Screw #6 x 1/2	
11	3900356	4	Screw M3.5 x 16	
12	4340739	1	Plate, Mounting	
13	4360069	1	Breaker, Circuit - 10 Amp	
14	4360328	1	Switch, Toggle	
15	4360469	1	Switch, Key	
15	2860030	1	Key, Replacement (Fits All Specs)	
16	4360475	1	Switch, Emergency Stop	
16	7020175	1	Cap	
16	7020176	1	Block, Contact	
17	1001114933	NLA	Module, Tilt (Includes Module, Mounting Plate and Hardware) (Use p/n 1001169392)	
18	1001114937	1	Mount, Harness Bulkhead (Ground Control)	
19	3321005	4	Nut #10-32NF	
20	4751000	4	Washer #10	
21	1001114935	1	Harness, Control Box (See ELECTRICAL SECTION for Breakdown)	

SECTION 2 - GROUND COMPONENTS

FIGURE 2-13. GROUND CONTROL BOX ASSEMBLY - LSS (CE SPECS) (SN 0200239382 through 0200241828)



ART_1001166195

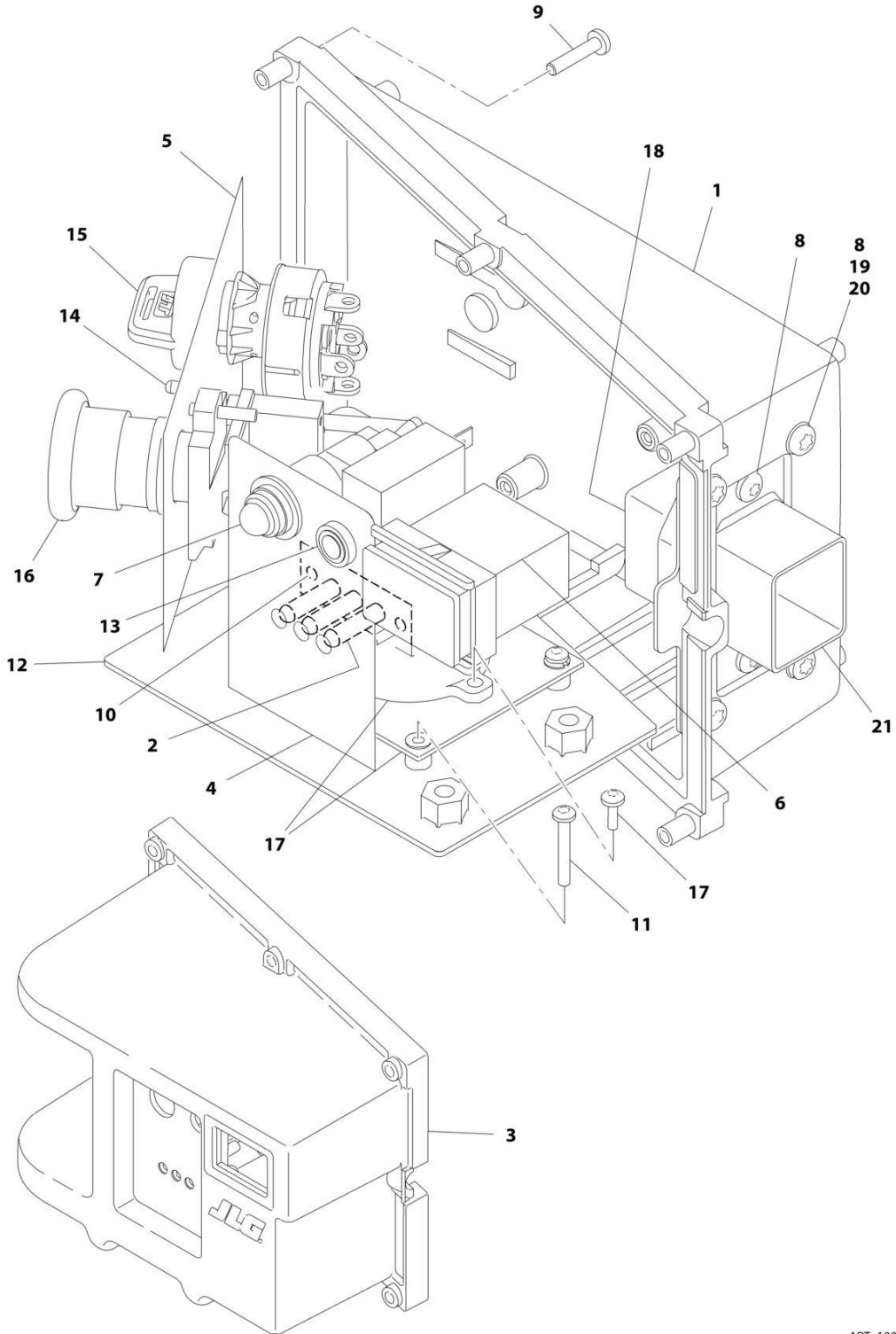
SECTION 2 - GROUND COMPONENTS

FIGURE 2-13. GROUND CONTROL BOX ASSEMBLY - LSS (CE SPECS) (SN 0200239382 through 0200241828)

ITEM	PART NUMBER	QTY	DESCRIPTION	REV
	1001166195	Ref	GROUND CONTROL BOX ASSEMBLY - LSS	G
1	0380025	1	Base, Box	
2	0610161	1	PC Board, Charger LED	
2	4460321	1	Plug, Male - 4 Position	
2	4460268	3	Socket, Female	
3	1671105	1	Cover	
4	1705697	1	Decal	
5	1705698	1	Decal	
6	2420172	1	Hourmeter	
7	2920026	1	Lamp	
8	2920094	1	Bulb	
9	3900336	6	Screw	
10	3900338	6	Screw	
11	3900339	2	Screw	
12	1001180090	4	Screw M3.5 x 20	
13	1001165315	1	Support	
14	4360069	1	Breaker, Circuit 10Amp	
15	4360328	1	Switch, Toggle	
16	4360470	1	Switch, Key	
16	2860030	1	Key, Replacement	
17	4360475	1	Switch, Emergency Stop	
17	7020175	1	Cap	
17	7020176	1	Block, Contact	
18	1001166255	1	Sensor, Tilt (Includes Sensor, Mounting Plate and Hardware)	
18	3931412	3	Screw 1/4 x 3/4	
18	1001163095	1	Sensor	
18	1001165316	1	Mount, Sensor	
18	1001166776	4	Mount, Standoff	
19	1001114937	1	Mount, Harness	
20	3321005	4	Nut #10-32	
21	4751000	4	Washer #10	
22	1001167256	1	Harness, Ground Control Box (See ELECTRICAL SECTION for Breakdown)	
23	1001165284	1	Fastener	
24	1001165286	1	Spacer	

SECTION 2 - GROUND COMPONENTS

FIGURE 2-14. GROUND CONTROL BOX ASSEMBLY - LSS (CE SPECS) (SN B200020297 through B200021650)



ART_1001114930

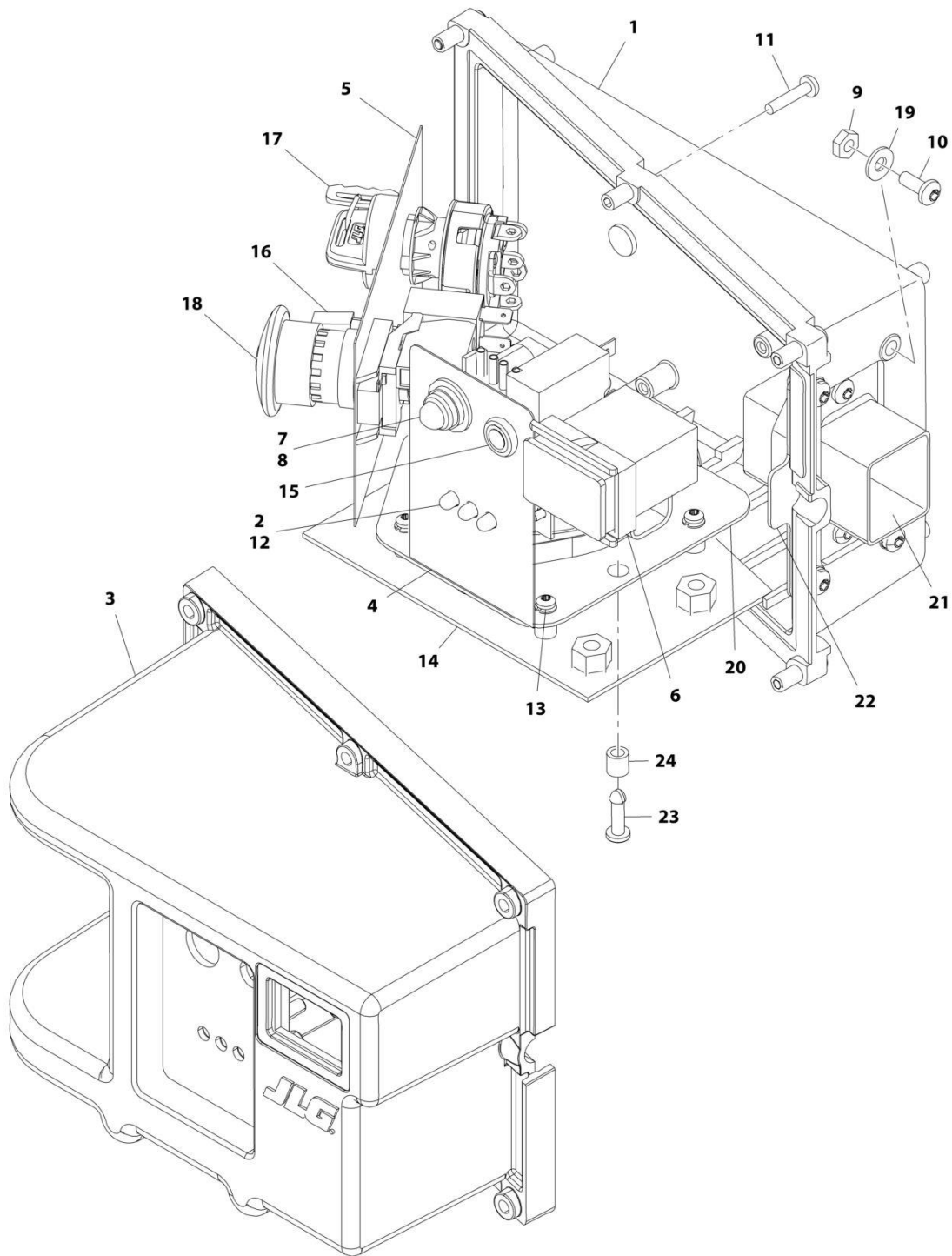
SECTION 2 - GROUND COMPONENTS

FIGURE 2-14. GROUND CONTROL BOX ASSEMBLY - LSS (CE SPECS) (SN B200020297 through B200021650)

ITEM	PART NUMBER	QTY	DESCRIPTION	REV
	1001114930	Ref	GROUND CONTROL BOX ASSEMBLY - LSS	B
1	0380025	1	Box, Ground Control	
2	0610161	1	Board, PC (Battery Charger LED)	
3	1671105	1	Cover, Front	
4	1705697	1	Decal - LED	
5	1705698	1	Decal - Function	
6	2420172	1	Hourmeter	
7	2920026	1	Lamp	
7	2920094	AR	Bulb	
8	3900336	6	Screw #10-32 x 1/2	
9	3900338	6	Screw M4 x 20	
10	3900339	2	Screw #6 x 1/2	
11	3900356	4	Screw M3.5 x 16	
12	4340739	1	Plate, Mounting	
13	4360069	1	Breaker, Circuit - 10 Amp	
14	4360328	1	Switch, Toggle	
15	4360470	1	Switch, Key	
15	2860030	1	Key, Replacement (Fits All Specs)	
16	4360475	1	Switch, Emergency Stop	
16	7020175	1	Cap	
16	7020176	1	Block, Contact	
17	1001114933	NLA	Module, Tilt (Includes Module, Mounting Plate and Hardware) (Use p/n 1001169392)	
18	1001114937	1	Mount, Harness Bulkhead (Ground Control)	
19	3321005	4	Nut #10-32	
20	4751000	4	Washer #10	
21	1001114935	1	Harness, Control Box (See ELECTRICAL SECTION for Breakdown)	

SECTION 2 - GROUND COMPONENTS

FIGURE 2-15. GROUND CONTROL BOX ASSEMBLY - LSS (CE SPECS) (SN 0200241829 to Present, SN 1200025021 to Present, SN B200021651 to Present, SN M200000100 through M200040097)



ART_1001166197

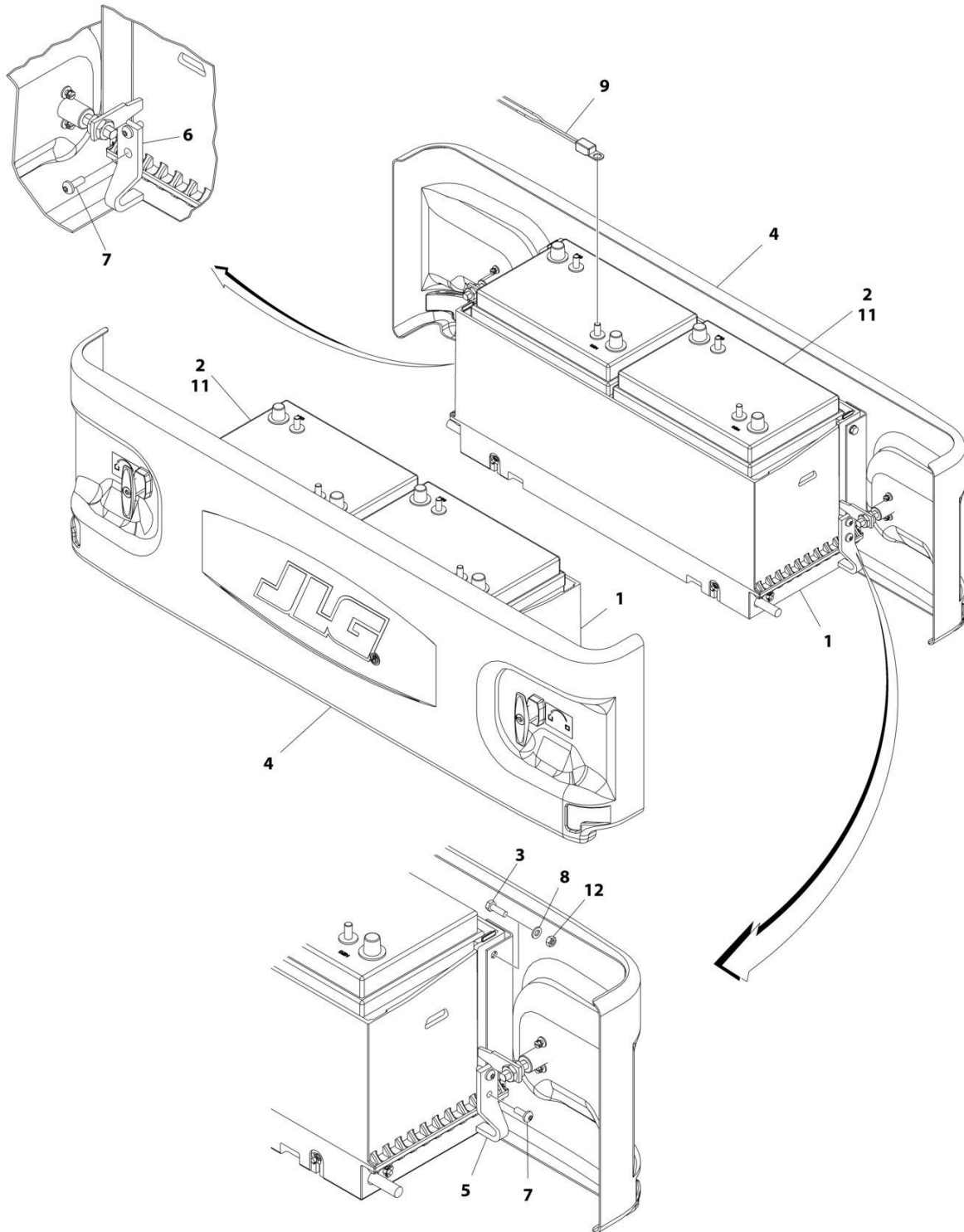
SECTION 2 - GROUND COMPONENTS

FIGURE 2-15. GROUND CONTROL BOX ASSEMBLY - LSS (CE SPECS) (SN 0200241829 to Present, SN 1200025021 to Present, SN B200021651 to Present, SN M200000100 through M200040097)

ITEM	PART NUMBER	QTY	DESCRIPTION	REV
	1001166197	Ref	GROUND CONTROL BOX ASSEMBLY - LSS	F
1	0380025	1	Base, Box	
2	0610161	1	PC Board, Charger LED	
2	4460321	1	Plug, Male - 4 Position	
2	4460268	3	Socket, Female	
3	1671105	1	Cover	
4	1705697	1	Decal	
5	1705698	1	Decal	
6	2420172	1	Hourmeter	
7	2920026	1	Lamp	
8	2920094	1	Bulb	
9	3321005	4	Nut #10	
10	3900336	6	Screw	
11	3900338	6	Screw	
12	3900339	2	Screw	
13	1001180090	4	Screw M3.5 x 20	
14	1001165315	1	Support	
15	4360069	1	Breaker, Circuit 10Amp	
16	4360328	1	Switch, Toggle	
17	4360469	1	Switch, Key	
17	2860030	1	Key, Replacement	
18	4360475	1	Switch, Emergency Stop	
18	7020175	1	Cap	
18	7020176	1	Block, Contact	
19	4751000	4	Washer #10	
20	1001166255	1	Sensor, Tilt (Includes Sensor, Mounting Plate and Hardware)	
20	3931412	3	Screw 1/4 x 3/4	
20	1001163095	1	Sensor	
20	1001165316	1	Mount, Sensor	
20	1001166776	4	Mount, Standoff	
21	1001167256	1	Harness, Ground Control Box (See Separate Breakdown in ELECTRICAL SECTION)	
22	1001114937	1	Mount, Harness	
23	1001165284	1	Fastener	
24	1001165286	1	Spacer	

SECTION 2 - GROUND COMPONENTS

FIGURE 2-16. BATTERIES INSTALLATION - AGM AND EVG TYPE - 225 AH RATING (NON-LOCKING COVERS)



ART_0275401

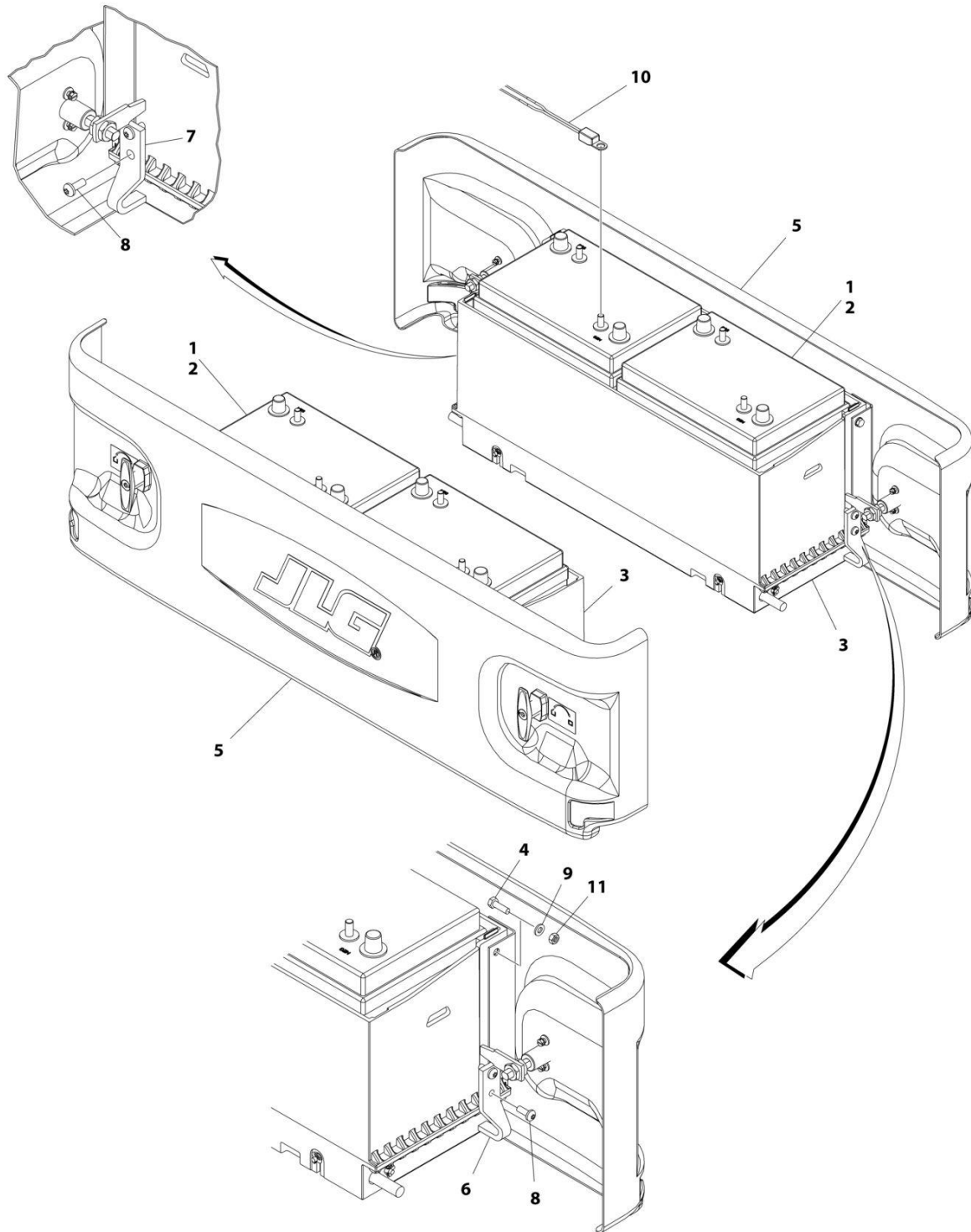
SECTION 2 - GROUND COMPONENTS

FIGURE 2-16. BATTERIES INSTALLATION - AGM AND EVG TYPE - 225 AH RATING (NON-LOCKING COVERS)

ITEM	PART NUMBER	QTY	DESCRIPTION	REV
	0275401	Ref	BATTERIES INSTALLATION - AGM AND EVG TYPE - 225 AH RATING (NON-LOCKING COVERS)	F
1	0273698	2	Tray Assembly (See BATTERY TRAY ASSEMBLY - NON UL for Breakdown)	
2	1001112112	4	Battery Type EVGC6A-A	
3	0760610	8	Bolt M6 x 20	
3	1001100451	8	Bolt M6 x 20	
4	1671202	2	Cover Assembly (See BATTERY COVER ASSEMBLY - NON-LOCKING for Breakdown)	
5	3574981	2	Plate, Slide Stop (LH)	
6	3574984	2	Plate, Slide Stop (RH)	
7	4191707	8	Screw M6 x 16	
8	4811700	8	Washer M6	
9	1001112113	1	Sensor, Temperature (SN 0200239382 through 0200266434, SN 1200025021 through 1200026477, SN B200020297 through B200045248, SN M200000100 through M200014366)	
11	0100051	AR	Grease, Terminal	
12	3290605	8	Nut M6	

SECTION 2 - GROUND COMPONENTS

FIGURE 2-17. BATTERIES INSTALLATION - AGM AND EVG TYPE - 225 AH RATING (NON-UL LOCKING COVERS)



ART_1001132233

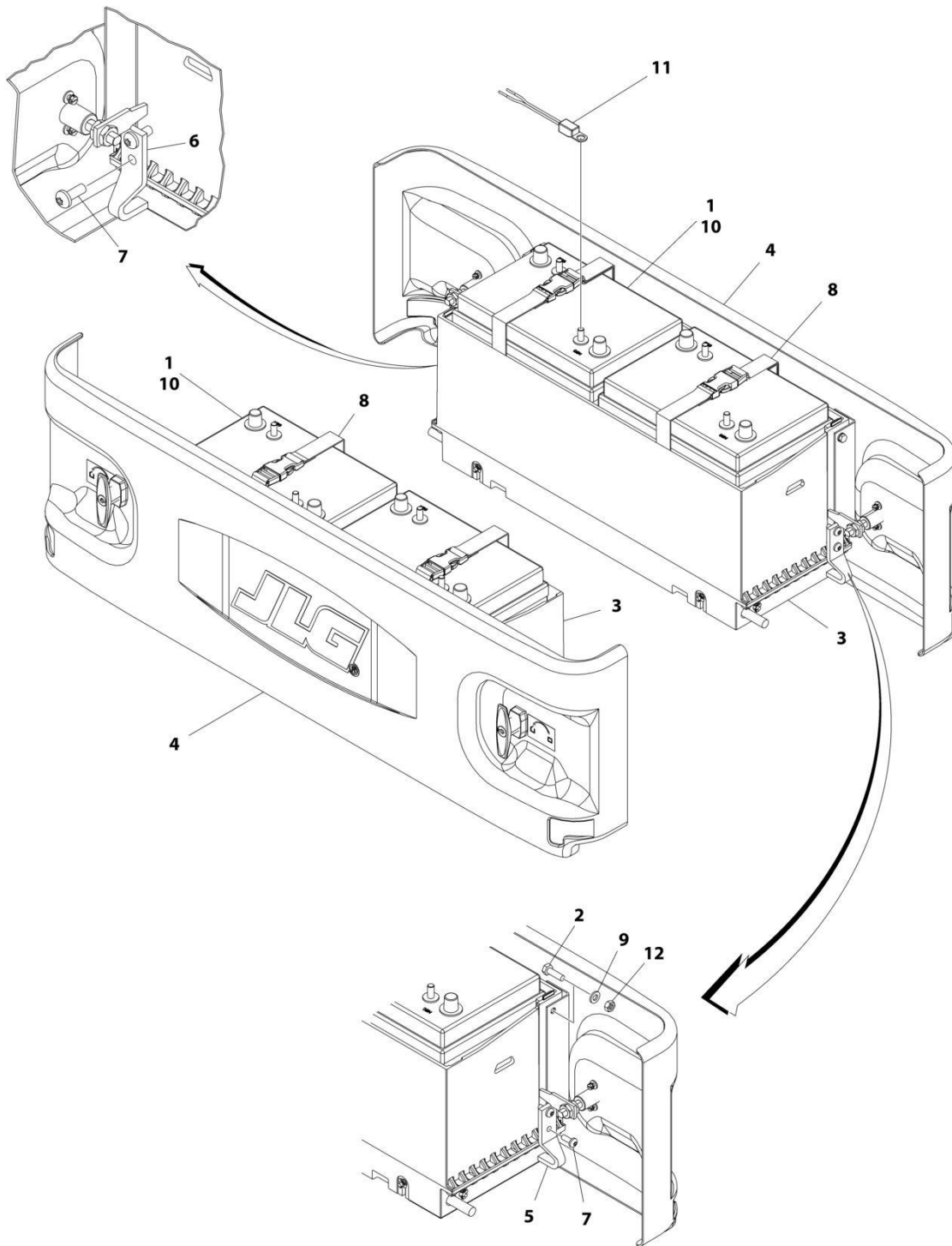
SECTION 2 - GROUND COMPONENTS

FIGURE 2-17. BATTERIES INSTALLATION - AGM AND EVG TYPE - 225 AH RATING (NON-UL LOCKING COVERS)

ITEM	PART NUMBER	QTY	DESCRIPTION	REV
	1001132233	Ref	BATTERIES INSTALLATION - AGM AND EVG TYPE - 225 AH RATING (NON-UL LOCKING COVERS)	D
1	0100051	AR	Grease, Terminal	
2	1001112112	4	Battery Type EVGC6A-A	
3	0273698	2	Tray Assembly (See BATTERY TRAY ASSEMBLY - NON UL for Breakdown)	
4	0760610	8	Bolt M6 x 20	
4	1001100451	8	Bolt M6 x 20	
5	1671204	2	Cover Assembly (See BATTERY COVER ASSEMBLY - LOCKING for Breakdown)	
6	3574981	2	Plate, Slide Stop (LH)	
7	3574984	2	Plate, Slide Stop (RH)	
8	4191707	8	Screw M6 x 16	
9	4811700	8	Washer M6	
10	1001112113	1	Sensor, Temperature (SN 0200239382 through 0200266434, SN 1200025021 through 1200026477, SN B200020297 through B200045248, SN M200000100 through M200014366)	
11	3290605	8	Nut M6	

SECTION 2 - GROUND COMPONENTS

FIGURE 2-18. BATTERIES INSTALLATION - AGM AND EVG TYPE - 225 AH RATING (UL LOCKING COVERS)



ART_1001159192

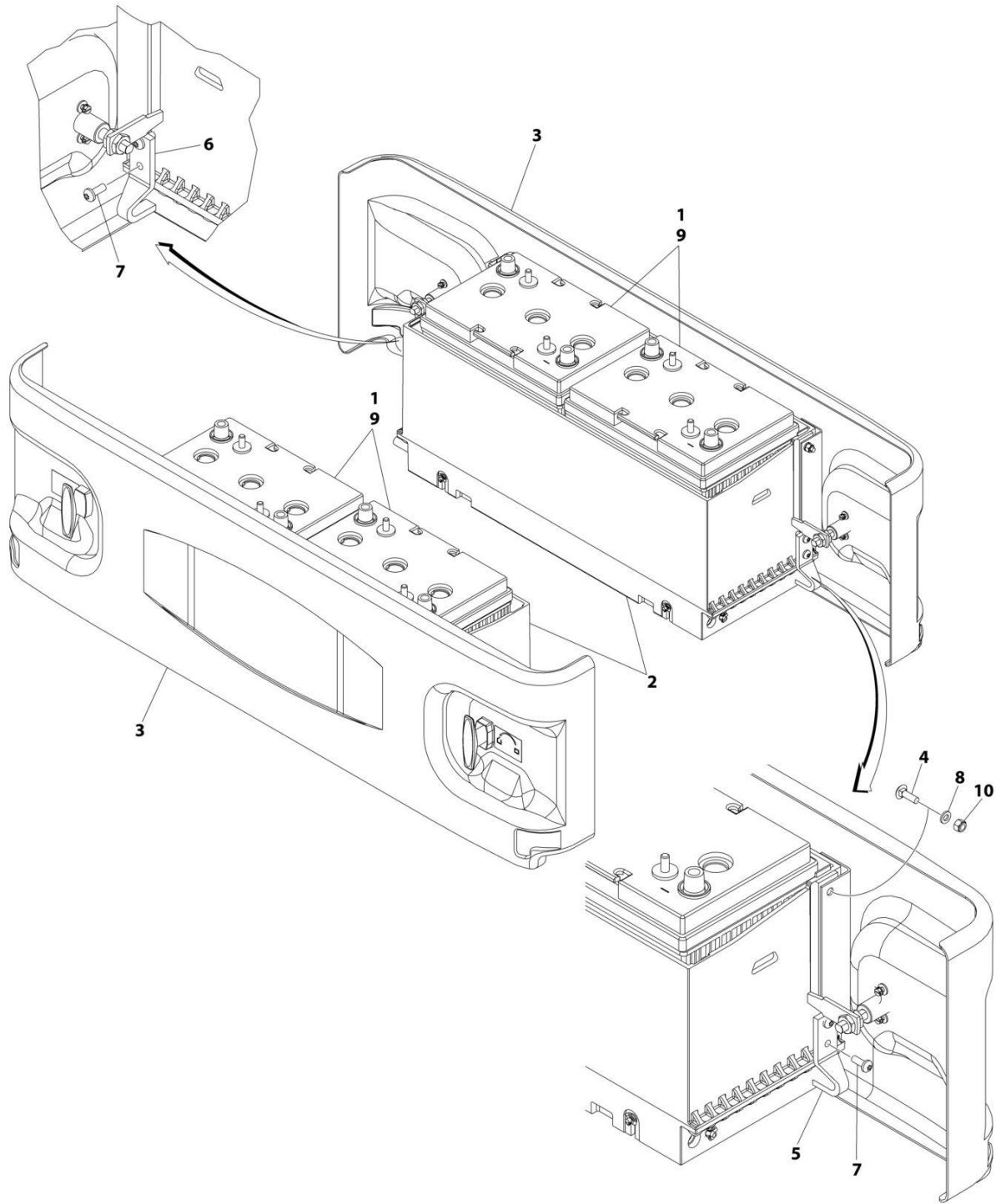
SECTION 2 - GROUND COMPONENTS

FIGURE 2-18. BATTERIES INSTALLATION - AGM AND EVG TYPE - 225 AH RATING (UL LOCKING COVERS)

ITEM	PART NUMBER	QTY	DESCRIPTION	REV
	1001159192	Ref	BATTERIES INSTALLATION - AGM AND EVG TYPE - 225 AH RATING (UL LOCKING COVERS)	D
1	0100051	AR	Grease, Terminal	
2	0760610	8	Bolt M6 x 20	
2	1001100451	8	Bolt M6 x 20	
3	0861678	2	Tray Assembly (See BATTERY TRAY ASSEMBLY - UL for Breakdown)	
4	1671204	2	Cover Assembly (See BATTERY COVER ASSEMBLY - LOCKING for Breakdown)	
5	3574981	2	Plate, Slide Stop (LH)	
6	3574984	2	Plate, Slide Stop (RH)	
7	4191707	8	Screw M6 x 16	
8	4240172	4	Strap, Battery	
9	4811700	8	Washer M6	
10	1001112112	4	Battery Type EVGC6A-A	
11	1001112113	1	Sensor, Temperature (SN 0200239382 through 0200266434, SN B200020297 through B200045248, SN M200000100 through M200014366)	
12	3290605	8	Nut M6	

SECTION 2 - GROUND COMPONENTS

FIGURE 2-19. BATTERIES INSTALLATION - AGM VISION AND EVG TYPE - 220 AH RATING (NON-LOCKING COVERS)



ART_1001248130

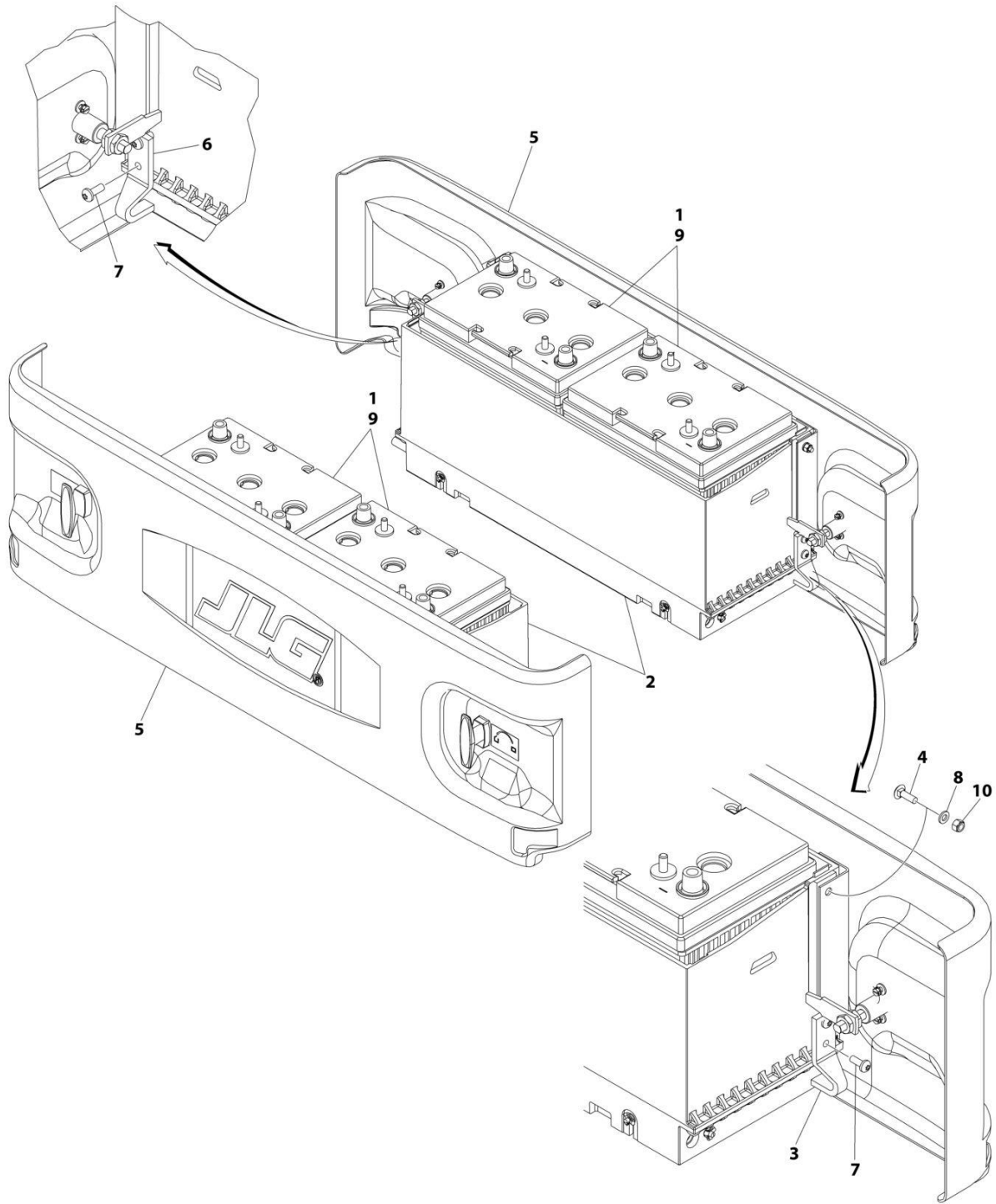
SECTION 2 - GROUND COMPONENTS

FIGURE 2-19. BATTERIES INSTALLATION - AGM VISION AND EVG TYPE - 220 AH RATING (NON-LOCKING COVERS)

ITEM	PART NUMBER	QTY	DESCRIPTION	REV
	1001248130	Ref	BATTERIES INSTALLATION - AGM VISION AND EVG TYPE - 220 AH RATING (UL LOCKING COVERS)	A
1	0100051	AR	Grease, Terminal	
2	0273698	2	Tray Assembly (See Separate Breakdown in this Section)	
3	1671202	2	Cover Assembly (See Separate Breakdown in this Section)	
4	1001100451	8	Bolt M6 x 20	
5	3574981	2	Plate, Slide Stop (LH)	
6	3574984	2	Plate, Slide Stop (RH)	
7	4191707	8	Screw M6 x 16	
8	4811700	8	Washer M6	
9	1001214347	4	Battery Type EVGC-220A-AM	
10	3290605	8	Nut M6	

SECTION 2 - GROUND COMPONENTS

FIGURE 2-20. BATTERIES INSTALLATION - AGM VISION AND EVG TYPE - 220 AH RATING (NON-UL LOCKING COVERS)



ART_1001248131

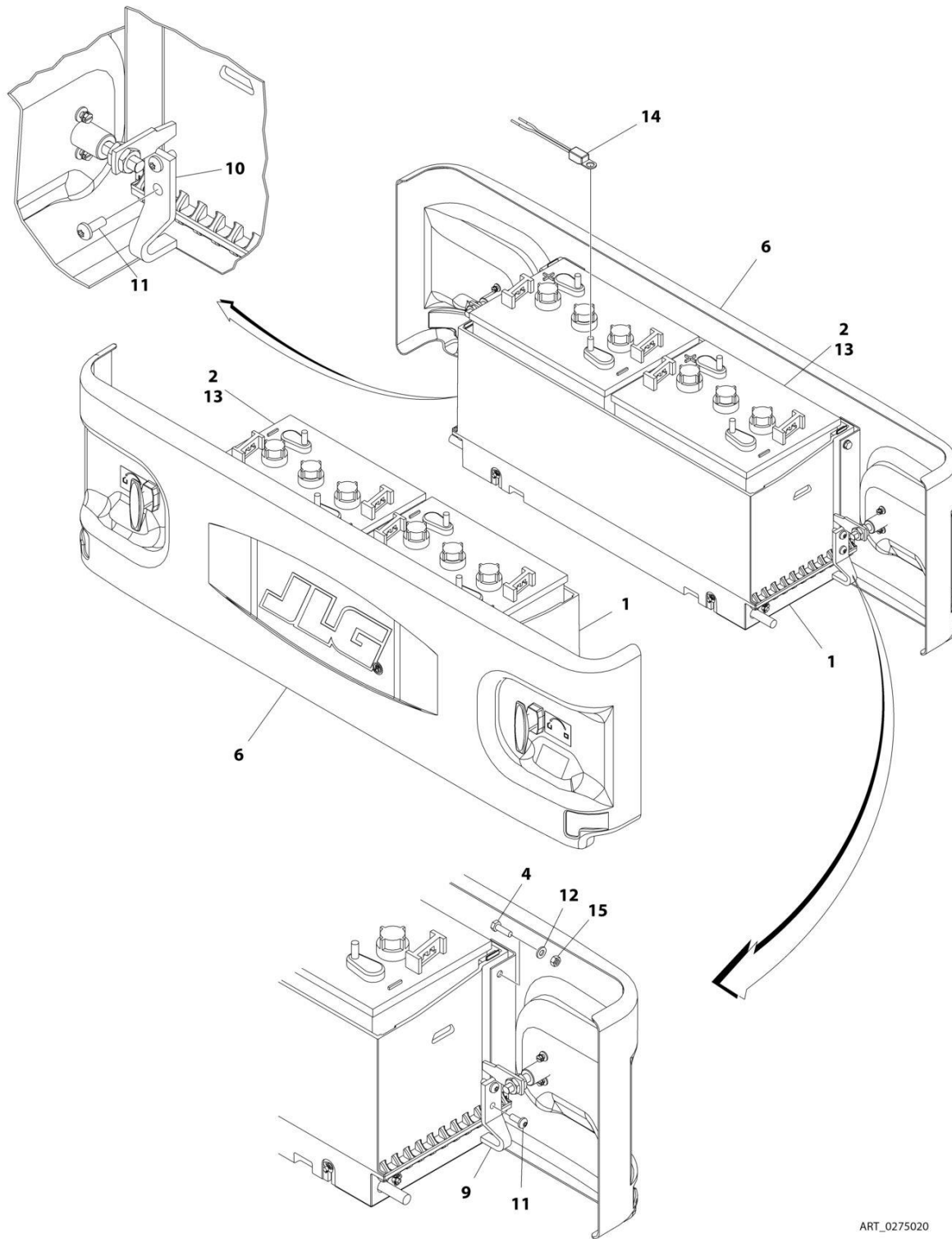
SECTION 2 - GROUND COMPONENTS

FIGURE 2-20. BATTERIES INSTALLATION - AGM VISION AND EVG TYPE - 220 AH RATING (NON-UL LOCKING COVERS)

ITEM	PART NUMBER	QTY	DESCRIPTION	REV
	1001248131	Ref	BATTERIES INSTALLATION - AGM VISION AND EVG TYPE - 220 AH RATING (NON-UL LOCKING COVERS)	A
1	0100051	AR	Grease, Terminal	
2	0273698	2	Tray Assembly (See Separate Breakdown in this Section)	
3	3574981	2	Plate, Slide Stop (LH)	
4	1001100451	8	Bolt M6 x 20	
5	1671204	2	Cover Assembly (See Separate Breakdown in this Section)	
6	3574984	2	Plate, Slide Stop (RH)	
7	4191707	8	Screw M6 x 16	
8	4811700	8	Washer M6	
9	1001214347	4	Battery Type EVGC-220A-AM	
10	3290605	8	Nut M6	

SECTION 2 - GROUND COMPONENTS

FIGURE 2-21. BATTERIES INSTALLATION - GC TYPE - 225 AH RATING (NON-LOCKING COVERS)



ART_0275020

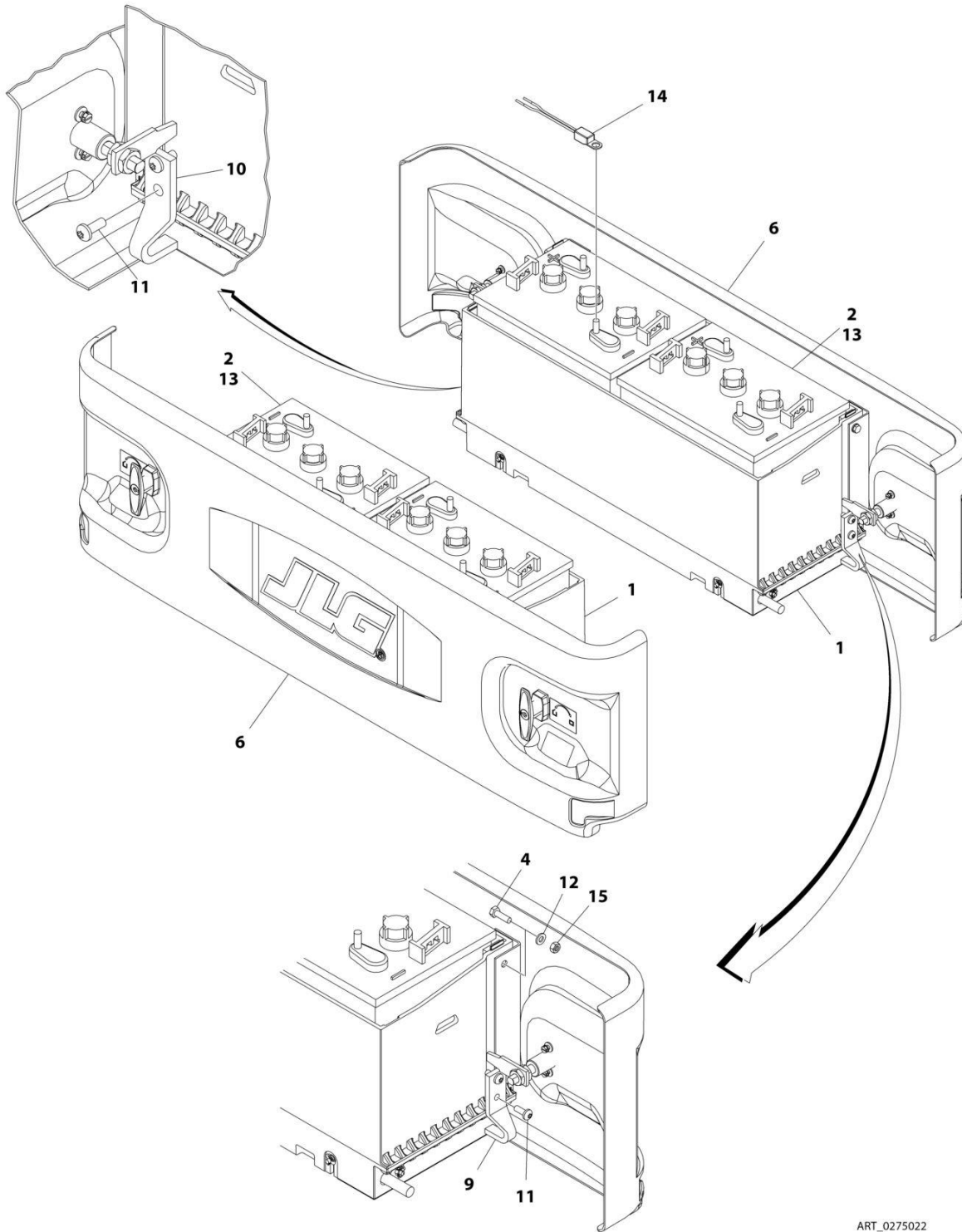
SECTION 2 - GROUND COMPONENTS

FIGURE 2-21. BATTERIES INSTALLATION - GC TYPE - 225 AH RATING (NON-LOCKING COVERS)

ITEM	PART NUMBER	QTY	DESCRIPTION	REV
	0275020	Ref	BATTERIES INSTALLATION - GC TYPE - 225 AH RATING (NON LOCKING COVERS)	G
1	0273698	2	Tray Assembly (See BATTERY TRAY ASSEMBLY - NON UL for Breakdown)	
2	0400215	4	Battery Type GC-110-WNL	
4	0760610	8	Bolt M6 x 20	
4	1001100451	8	Bolt M6 x 20	
6	1671202	2	Cover Assembly (See BATTERY COVER ASSEMBLY - NON-LOCKING for Breakdown)	
9	3574981	2	Plate, Slide Stop (LH)	
10	3574984	2	Plate, Slide Stop (RH)	
11	4191707	8	Screw M6 x 16	
12	4811700	8	Washer M6	
13	0100051	AR	Grease, Terminal	
14	1001112113	1	Sensor, Temperature (SN 0200239382 through 0200266434, SN 1200025021 through 1200026477, SN B200020297 through B200045248, SN M200000100 through M200014366)	
15	3290605	8	Nut M6	

SECTION 2 - GROUND COMPONENTS

FIGURE 2-22. BATTERIES INSTALLATION - GC TYPE - 225 AH RATING (NON-UL LOCKING COVERS)



ART_0275022

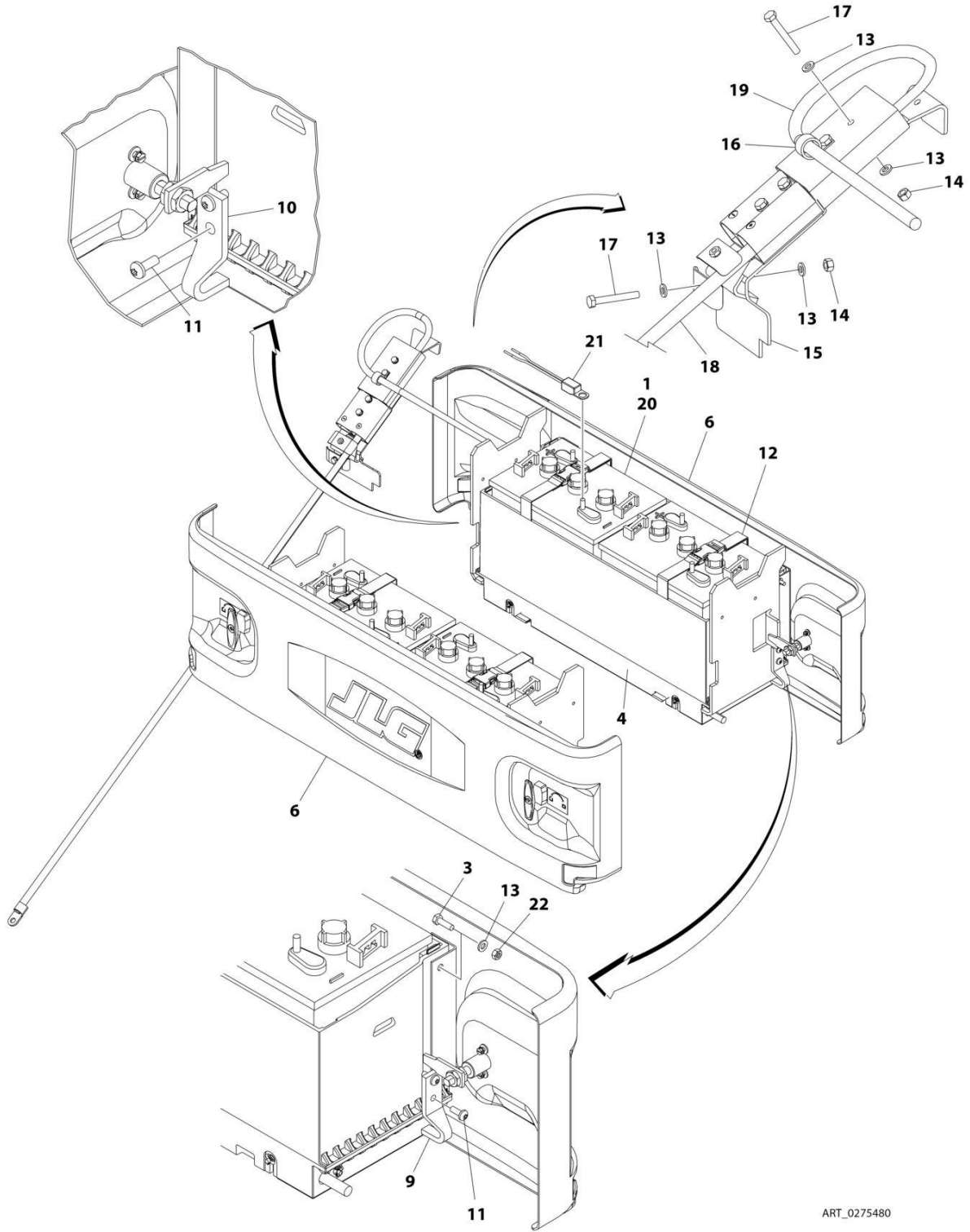
SECTION 2 - GROUND COMPONENTS

FIGURE 2-22. BATTERIES INSTALLATION - GC TYPE - 225 AH RATING (NON-UL LOCKING COVERS)

ITEM	PART NUMBER	QTY	DESCRIPTION	REV
	0275022	Ref	BATTERIES INSTALLATION - GC TYPE - 225 AH RATING (NON-UL LOCKING COVERS)	G
1	0273698	2	Tray Assembly (See BATTERY TRAY ASSEMBLY - NON UL for Breakdown)	
2	0400215	4	Battery Type GC-110-WNL	
4	0760610	8	Bolt M6 x 20	
4	1001100451	8	Bolt M6 x 20	
6	1671204	2	Cover Assembly (See BATTERY COVER ASSEMBLY - LOCKING for Breakdown)	
9	3574981	2	Plate, Slide Stop (LH)	
10	3574984	2	Plate, Slide Stop (RH)	
11	4191707	8	Screw M6 x 16	
12	4811700	8	Washer M6	
13	0100051	AR	Grease, Terminal	
14	1001112113	1	Sensor, Temperature (SN 0200239382 through 0200266434, SN 1200025021 through 1200026477, SN B200020297 through B200045248, SN M200000100 through M200014366)	
15	3290605	8	Nut M6	

SECTION 2 - GROUND COMPONENTS

FIGURE 2-23. BATTERIES INSTALLATION - GC TYPE - 225 AH RATING (UL LOCKING COVERS)



ART_0275480

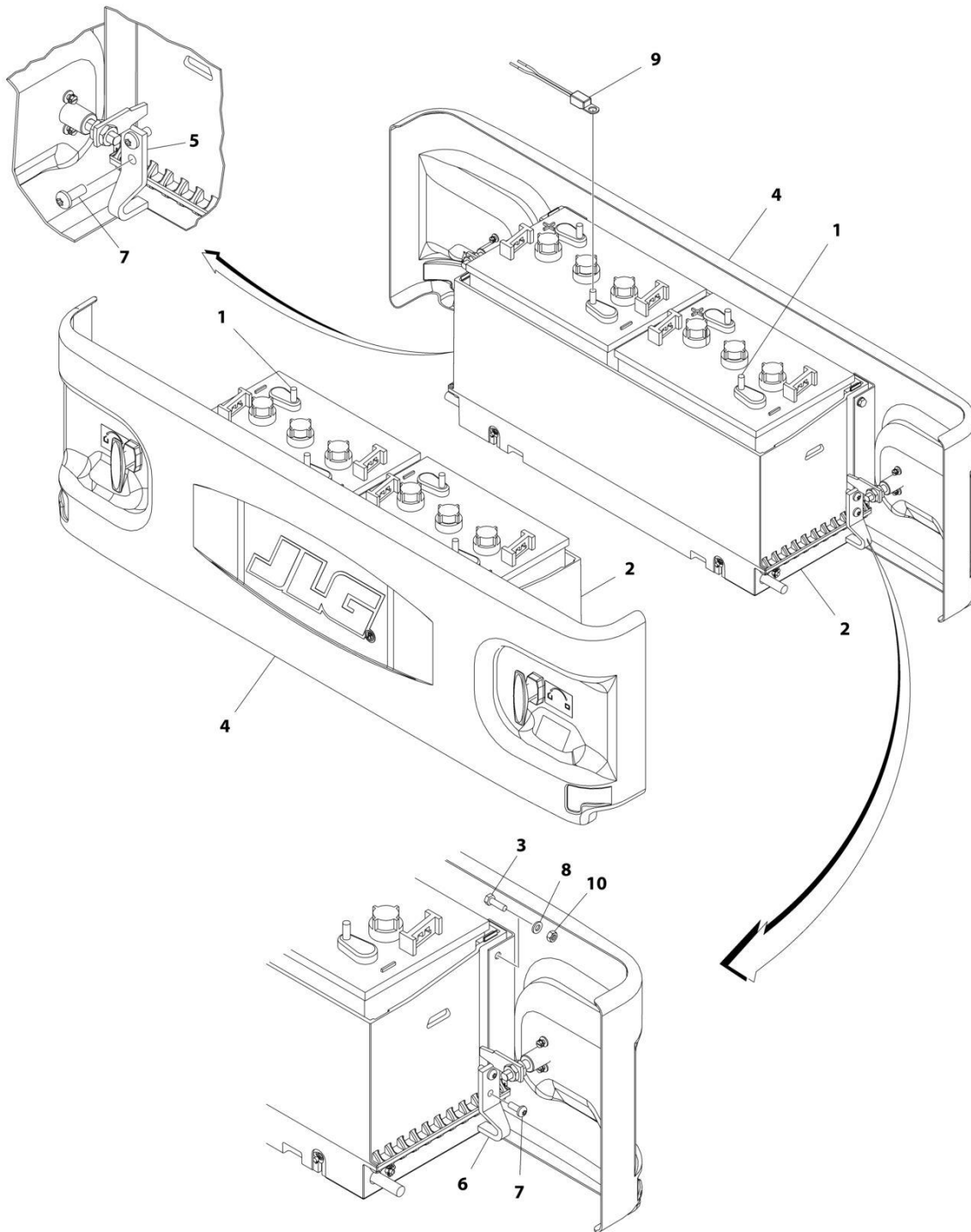
SECTION 2 - GROUND COMPONENTS

FIGURE 2-23. BATTERIES INSTALLATION - GC TYPE - 225 AH RATING (UL LOCKING COVERS)

ITEM	PART NUMBER	QTY	DESCRIPTION	REV
	0275480	Ref	BATTERIES INSTALLATION - GC TYPE - 225 AH RATING (UL LOCKING COVERS)	H
1	0400215	4	Battery Type GC-110-WNL	
3	0760610	8	Bolt M6 x 20	
3	1001100451	8	Bolt M6 x 20	
4	0861678	2	Tray Assembly (See BATTERY TRAY ASSEMBLY - UL for Breakdown)	
6	1671204	2	Cover Assembly (See BATTERY COVER ASSEMBLY - LOCKING for Breakdown)	
9	3574981	2	Plate, Slide Stop (LH)	
10	3574984	2	Plate, Slide Stop (RH)	
11	4191707	8	Screw M6 x 16	
12	4240172	4	Strap, Battery	
13	4811700	17	Washer M6	
14	3290607	5	Nut M6	
15	1001110826	1	Bracket	
16	1320224	1	Clamp	
17	0700617	5	Bolt M6 x 45	
18	1001127523	1	Cable, Battery	
19	4923414	1	Cable, Battery	
20	0100051	AR	Grease, Terminal	
22	3290605	8	Nut M6	

SECTION 2 - GROUND COMPONENTS

FIGURE 2-24. BATTERIES INSTALLATION - 220 AH RATING WITHOUT BATTERIES (NON LOCKING COVERS)



ART_1001209104

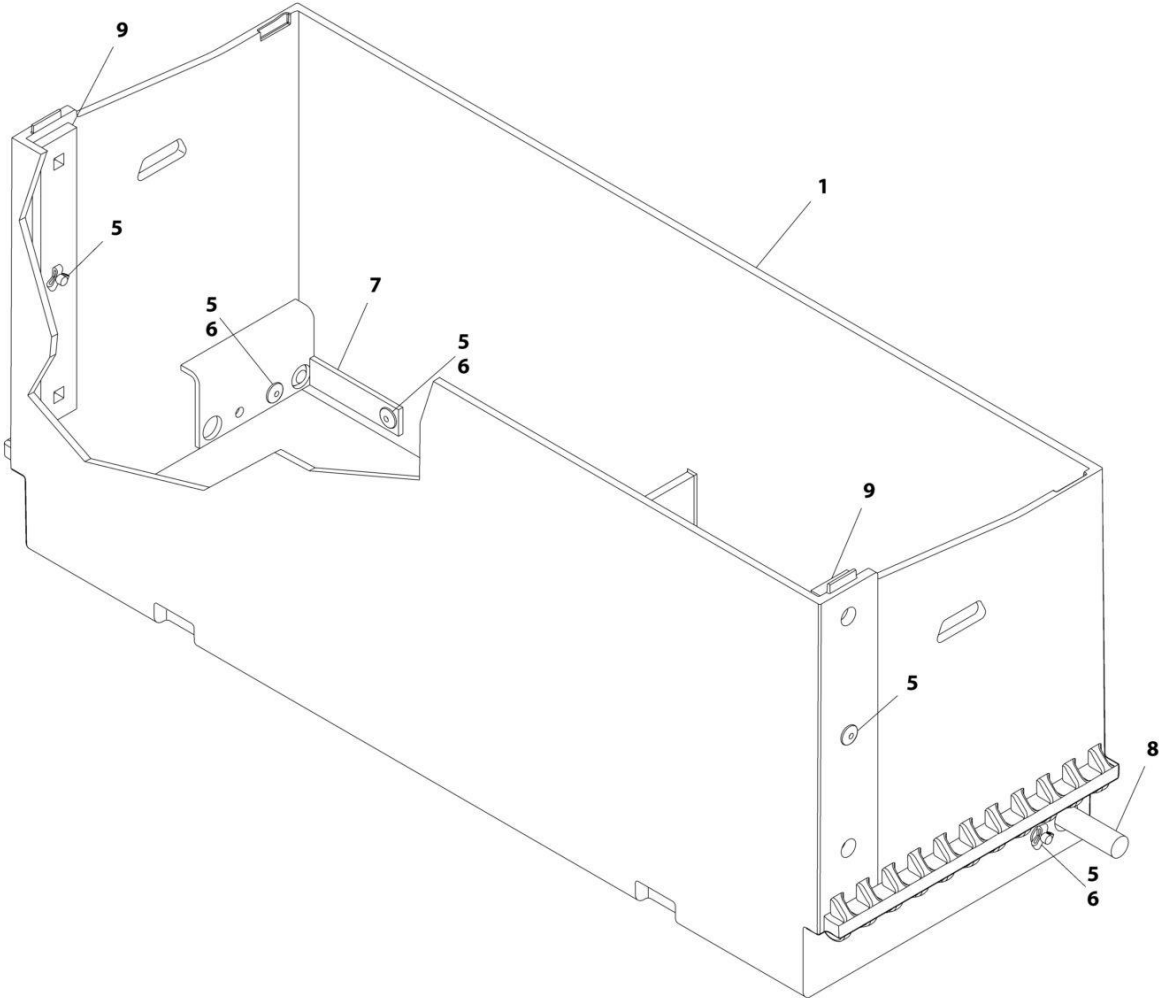
SECTION 2 - GROUND COMPONENTS

FIGURE 2-24. BATTERIES INSTALLATION - 220 AH RATING WITHOUT BATTERIES (NON LOCKING COVERS)

ITEM	PART NUMBER	QTY	DESCRIPTION	REV
	1001209104	Ref	BATTERIES INSTALLATION - 220 AH RATING WITHOUT BATTERIES (NON LOCKING COVERS)	C
1	0100051	AR	Grease, Terminal	
2	0273698	2	Tray Assembly (See BATTERY TRAY ASSEMBLY - NON UL for Breakdown)	
3	0760610	8	Bolt M6 x 20	
3	1001100451	8	Bolt M6 x 20	
4	1671202	1	Cover Assembly (See BATTERY COVER ASSEMBLY - NON-LOCKING for Breakdown)	
5	3574981	2	Plate, Slide Stop (LH)	
6	3574984	2	Plate, Slide Stop (RH)	
7	4191707	8	Screw M6 x 16	
8	4811700	8	Washer M6	
9	1001112113	1	Sensor, Temperature (SN 1200025021 through 12000264477, SN B200020297 through B2000452248)	
10	3290605	8	Nut M6	

SECTION 2 - GROUND COMPONENTS

FIGURE 2-25. BATTERY TRAY ASSEMBLY - NON-UL



ART_0273698

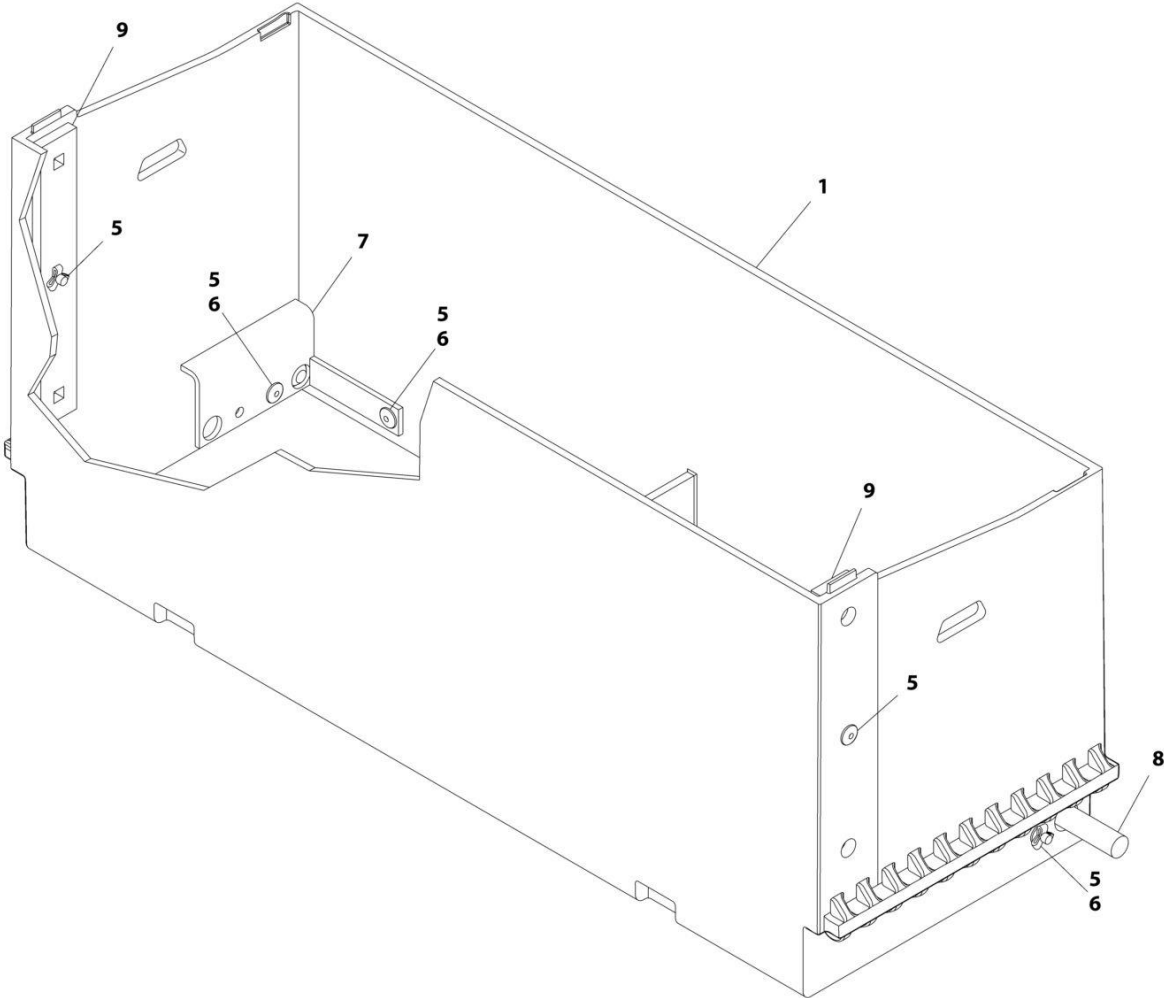
SECTION 2 - GROUND COMPONENTS

FIGURE 2-25. BATTERY TRAY ASSEMBLY - NON-UL

ITEM	PART NUMBER	QTY	DESCRIPTION	REV
	0273698	Ref	BATTERY TRAY ASSEMBLY - NON-UL	K
1	0861650	1	Tray, Battery	
5	3820032	6	Rivet	
6	4811600	4	Washer M5	
7	4220252	1	Stop (LH)	
8	4220253	1	Stop (RH)	
9	3577076	2	Bar (SN 0200239382 through 0200266381, SN 1200025021 through 1200030068, SN B200020297 through B200049082, SN M200000100 through M200026235)	
9	1001233888	2	Bar (SN 0200266382 to Present, SN 1200030069 to Present, SN B200049083 to Present, SN M200026236 through M200040097)	

SECTION 2 - GROUND COMPONENTS

FIGURE 2-26. BATTERY TRAY ASSEMBLY - UL



ART_0861678

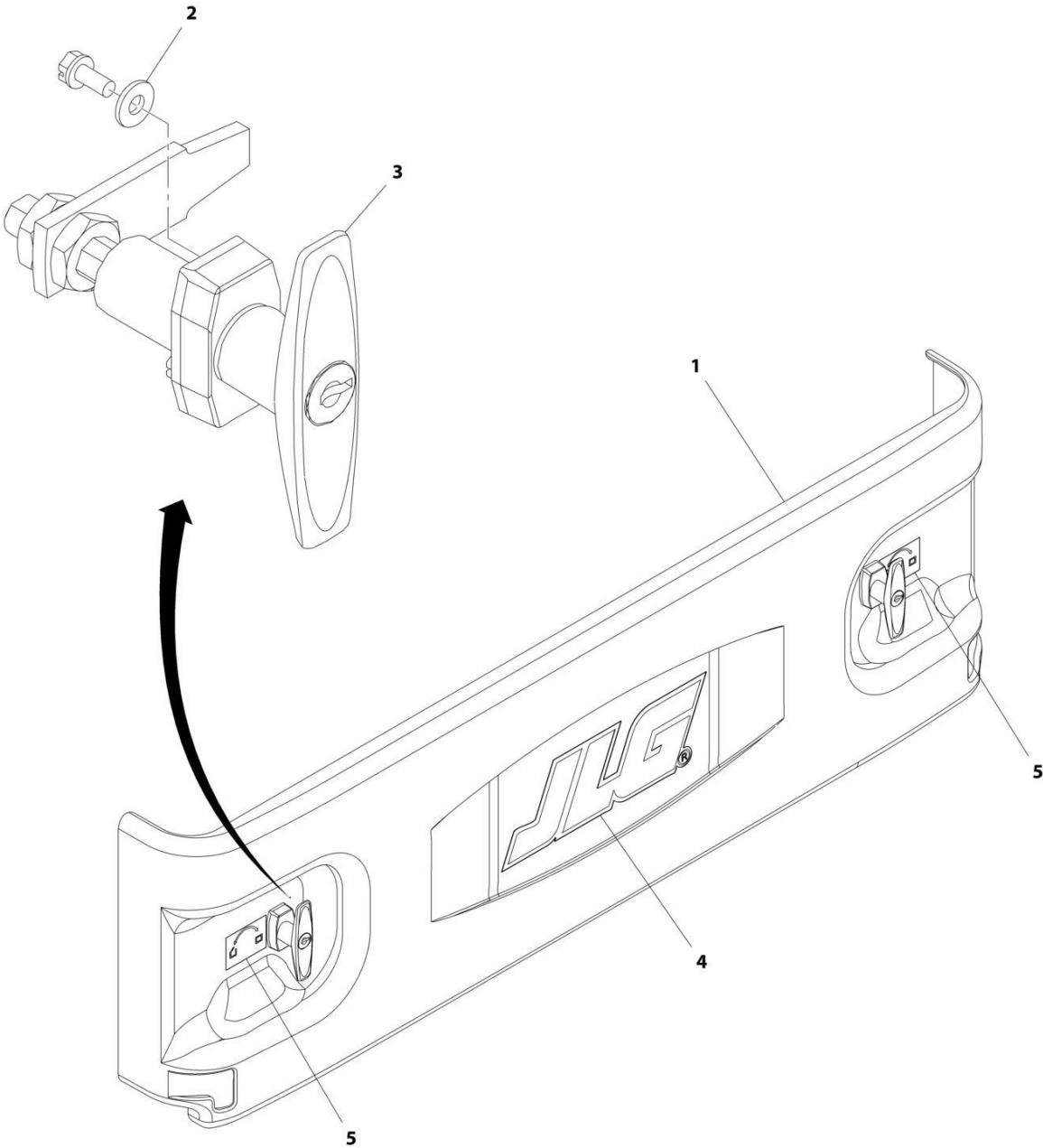
SECTION 2 - GROUND COMPONENTS

FIGURE 2-26. BATTERY TRAY ASSEMBLY - UL

ITEM	PART NUMBER	QTY	DESCRIPTION	REV
	0861678	Ref	BATTERY TRAY ASSEMBLY - UL	I
1	0861677	1	Tray, Battery	
5	3820032	6	Rivet	
6	4811600	4	Washer M5	
7	4220252	1	Stop (LH)	
8	4220253	1	Stop (RH)	
9	3577076	2	Bar (SN 0200239382 through 0200266381, SN 1200025021 through 1200030068, SN B200020297 through B200049082, SN M200000100 through M200026235)	
9	1001233888	2	Bar (SN 0200266382 to Present, SN 1200030069 to Present, SN B200049083 to Present, SN M200026236 through M200040097)	

SECTION 2 - GROUND COMPONENTS

FIGURE 2-27. BATTERY COVER ASSEMBLY - NON-LOCKING



ART_1671202

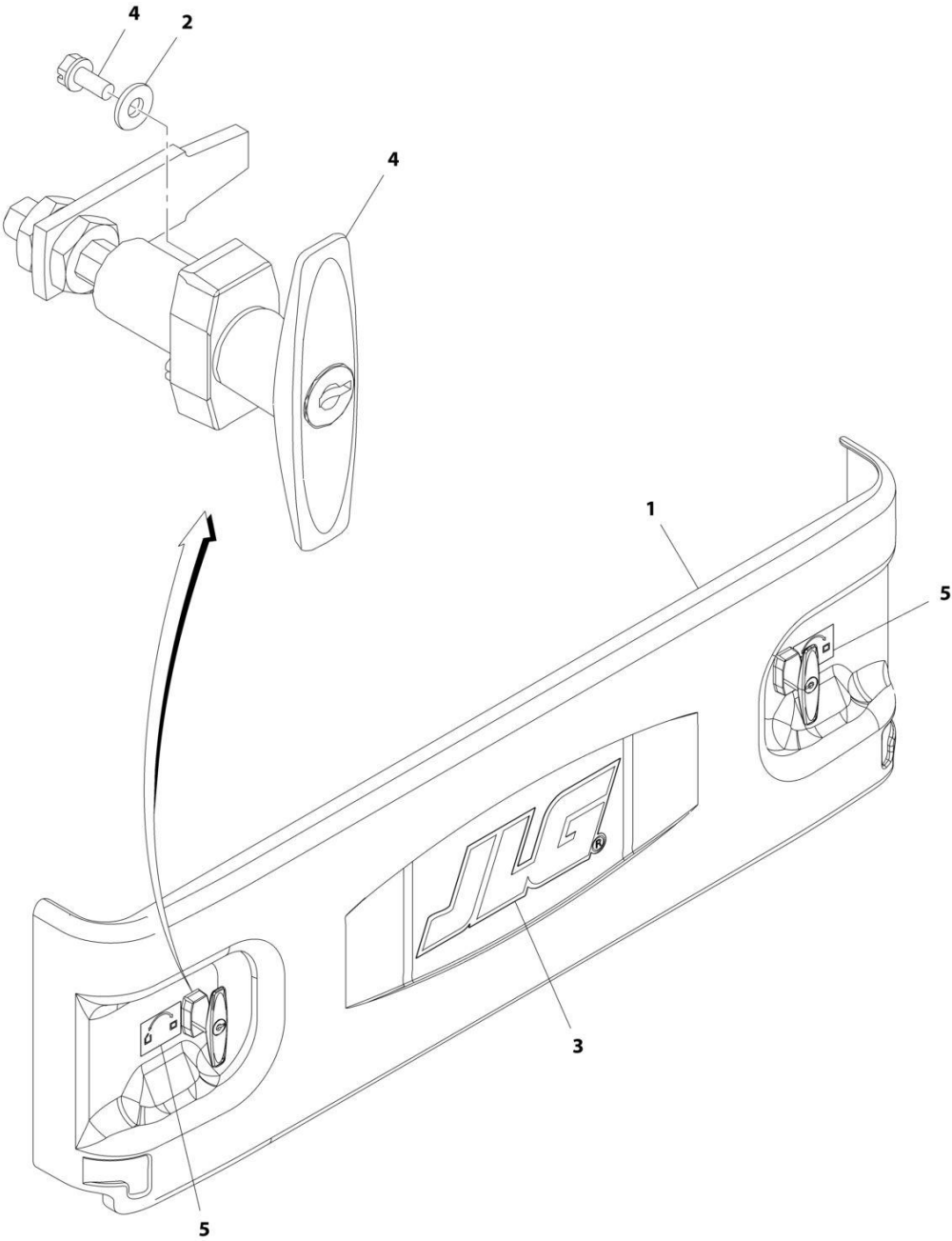
SECTION 2 - GROUND COMPONENTS

FIGURE 2-27. BATTERY COVER ASSEMBLY - NON-LOCKING

ITEM	PART NUMBER	QTY	DESCRIPTION	REV
	1671202	Ref	BATTERY COVER ASSEMBLY - NON-LOCKING	I
1	1671203	1	Cover, Battery Less Decals and Latches	
2	4750800	4	Washer #8	
3	2940174	2	Standard	
4	1705754	1	Decal - JLG (SN 0200239382 through 0200262152, SN B200020297 through B200038195, SN M200000100 through M200007968)	
5	1706350	2	Decal - Cover	

SECTION 2 - GROUND COMPONENTS

FIGURE 2-28. BATTERY COVER ASSEMBLY - LOCKING



ART_1671204

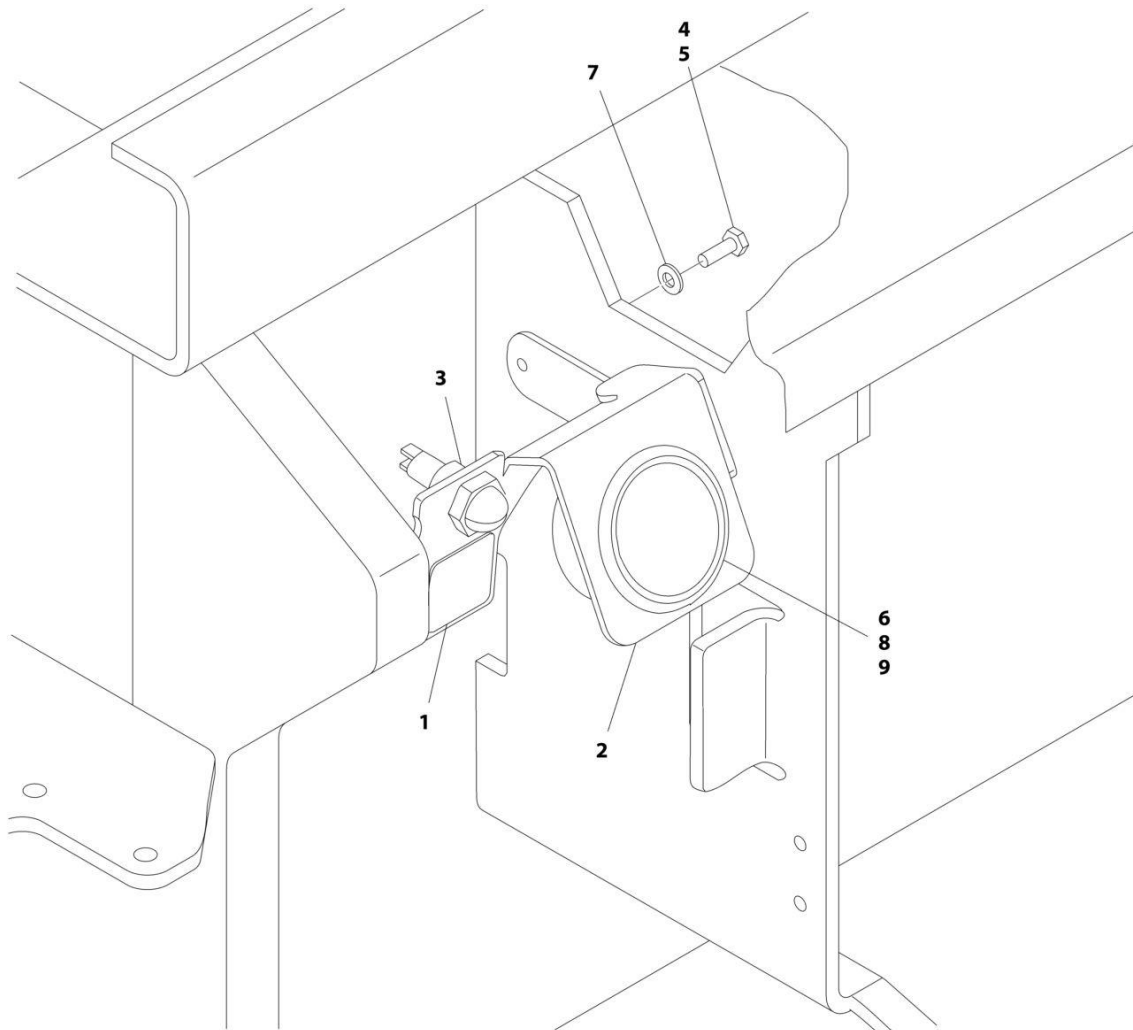
SECTION 2 - GROUND COMPONENTS

FIGURE 2-28. BATTERY COVER ASSEMBLY - LOCKING

ITEM	PART NUMBER	QTY	DESCRIPTION	REV
	1671204	Ref	BATTERY COVER ASSEMBLY - LOCKING	I
1	1671203	1	Cover, Battery Less Decals and Latches	
2	4750800	4	Washer #8	
3	1705754	1	Decal - JLG	
4	2940175	2	Latch, T-Handle (Locking)	
4	7027863	2	Key	
5	1706350	2	Decal - Cover	

SECTION 2 - GROUND COMPONENTS

FIGURE 2-29. BRAKE DISCONNECT AND MDI (MULTIFUNCTION DIGITAL INDICATOR) GAUGE INSTALLATION



ART_0275530

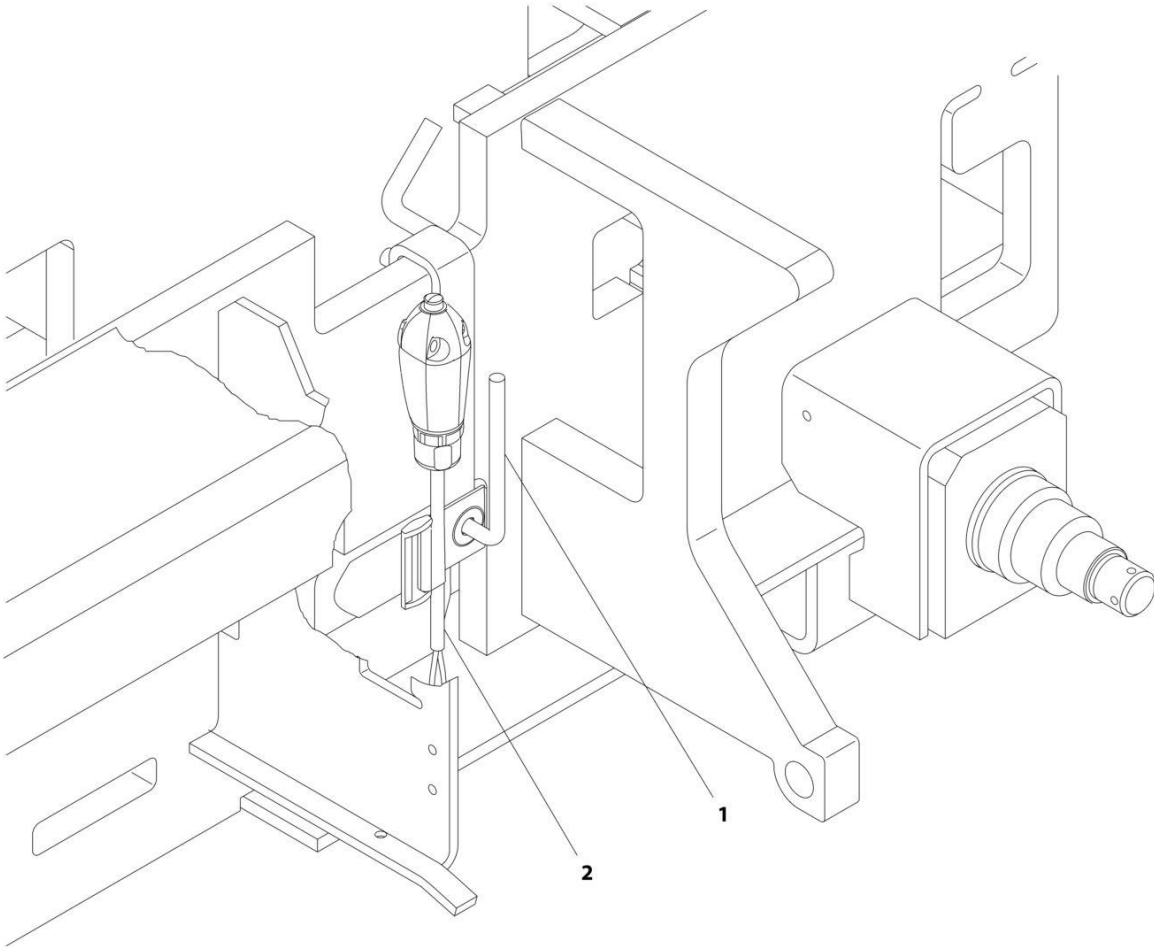
SECTION 2 - GROUND COMPONENTS

FIGURE 2-29. BRAKE DISCONNECT AND MDI (MULTIFUNCTION DIGITAL INDICATOR) GAUGE INSTALLATION

ITEM	PART NUMBER	QTY	DESCRIPTION	REV
	0275530	Ref	BRAKE DISCONNECT AND MDI (MULTIFUNCTION DIGITAL INDICATOR) GAUGE INSTALLATION	D
1	1706679	1	Decal - Brake Release	
2	1001094203	1	Bracket	
3	4360387	1	Switch, Push Button	
4	4031607	2	Capscrew M5 x 16	
5	0100011	AR	Compound, Locking	
6	0100048	AR	Grease, Dielectric	
7	4811600	2	Washer M5	
8	1001092454	1	Gauge, MDI (Multifunction Digital Indicator)	
9	1001093556	1	MDI Harness (Not Shown - See Separate Breakdown in ELECTRICAL SECTION)	

SECTION 2 - GROUND COMPONENTS

FIGURE 2-30. BRAKE CABLE INSTALLATION (OPTIONAL)



ART_0275432

SECTION 2 - GROUND COMPONENTS

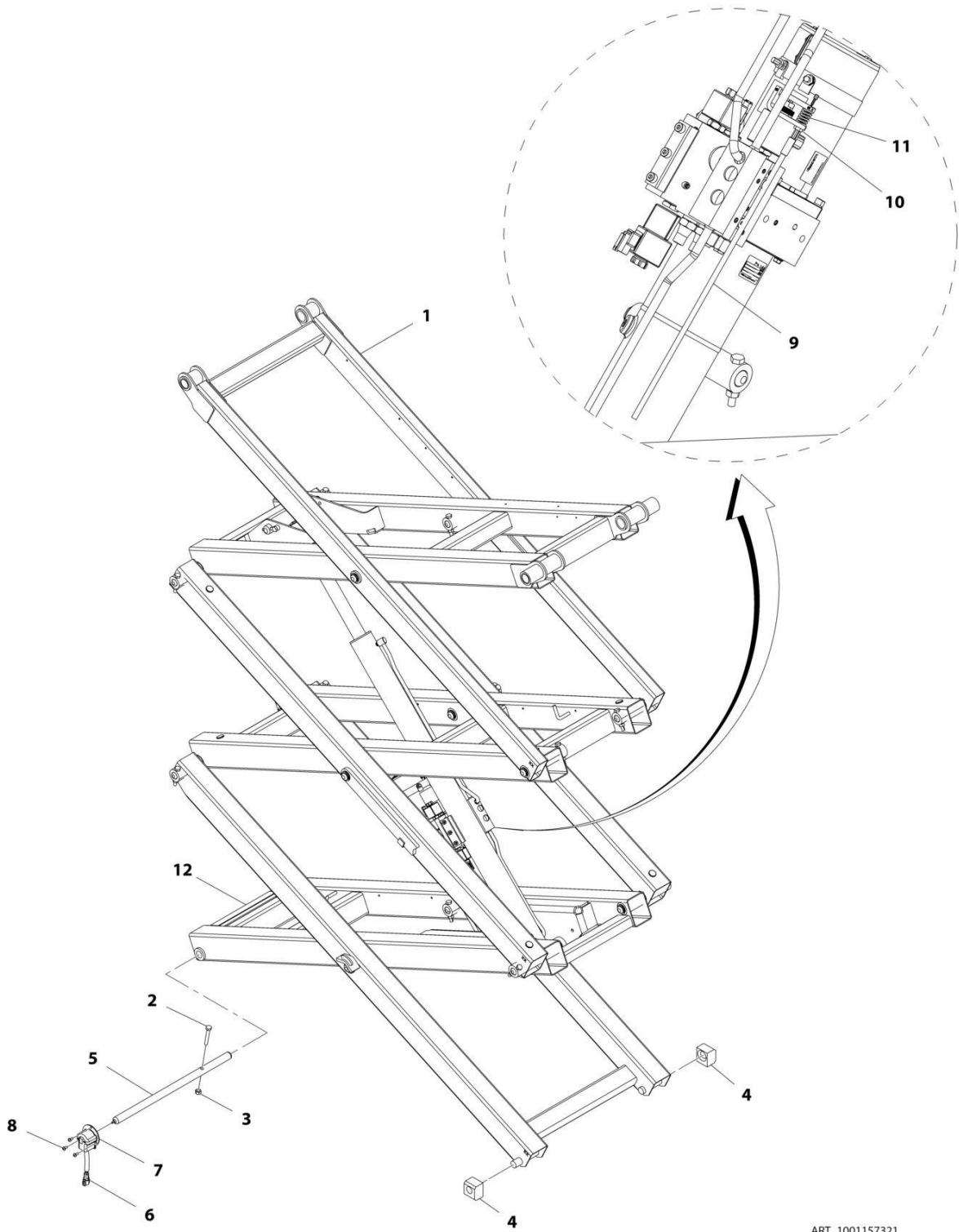
FIGURE 2-30. BRAKE CABLE INSTALLATION (OPTIONAL)

ITEM	PART NUMBER	QTY	DESCRIPTION	REV
	0275432	Ref	BRAKE CABLE INSTALLATION (OPTIONAL)	B
1	2902331	1	Brake Release Mount Kit (Includes Mounting Bracket and Setscrew)	
1	3951608	1	Setscrew 3/8 x 1	
2	4922944	1	Brake Disconnect Harness (See Separate Breakdown in ELECTRICAL SECTION)	

SECTION 3 - SCISSOR ARMS

SECTION 3 - SCISSOR ARMS

FIGURE 3-1. SCISSORS ARMS INSTALLATION - 1930ES STANDARD HYDRAULIC OIL (USA AND MEXICO BUILT MACHINES) (SN 0200239382 to Present, SN M200000100 through M200040097)



ART_1001157321

SECTION 3 - SCISSOR ARMS

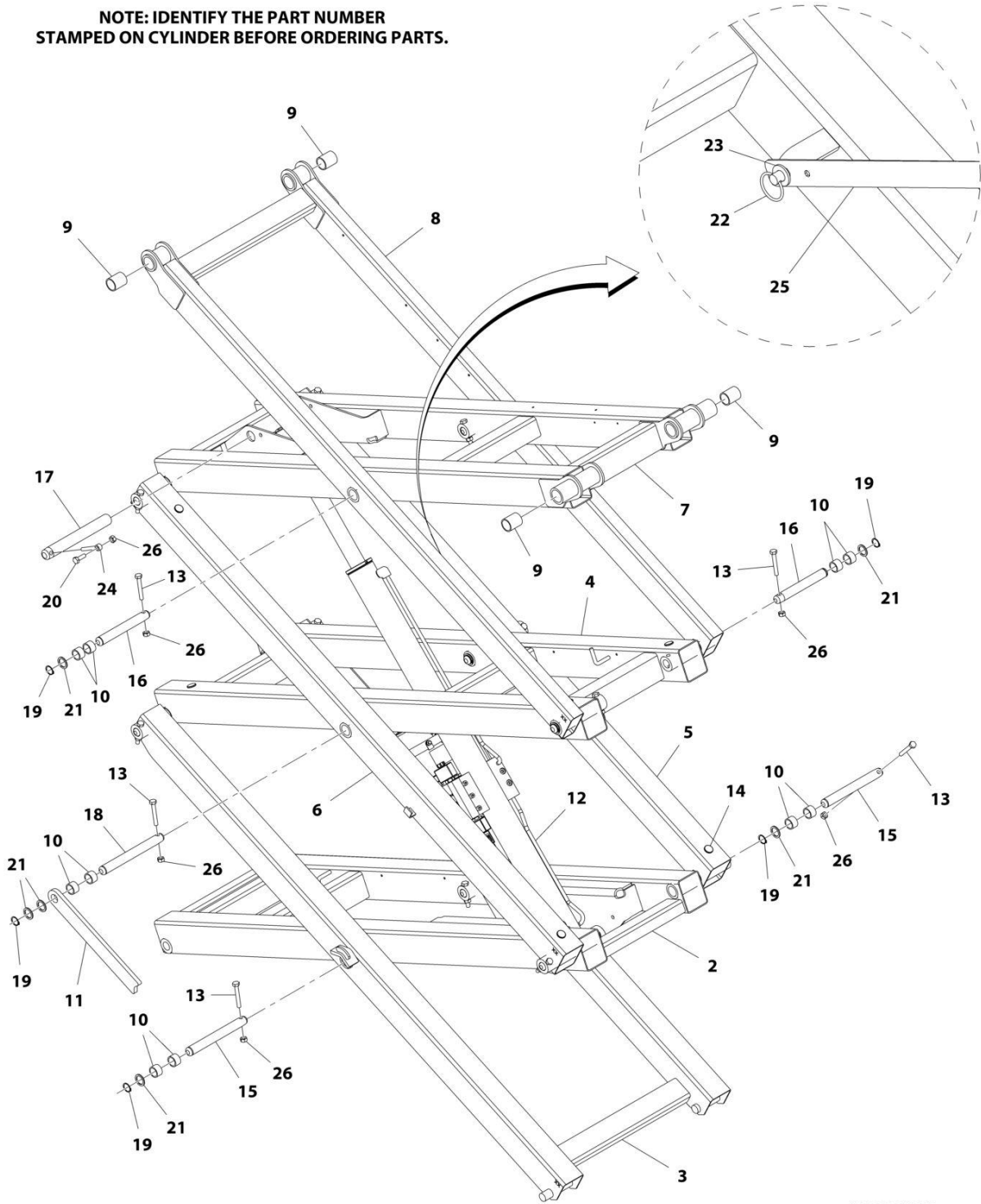
FIGURE 3-1. SCISSORS ARMS INSTALLATION - 1930ES STANDARD HYDRAULIC OIL (USA AND MEXICO BUILT MACHINES) (SN 0200239382 to Present, SN M200000100 through M200040097)

ITEM	PART NUMBER	QTY	DESCRIPTION	REV
	1001157321	Ref	SCISSOR ARMS INSTALLATION - 1930ES STANDARD HYDRAULIC OIL	A
1	1001157315	1	Arms Assembly (See SCISSORS ARMS ASSEMBLY - 1930ES STANDARD HYDRAULIC OIL for Breakdown)	
2	0701022	1	Bolt M10 x 70	
3	3291005	1	Nut M10	
4	3340964	2	Pad, Slide	
5	3423239	1	Pin, Sensor	
6	1001092354	1	Switch, Rotary Angle Sensor	
7	3200454	1	Mount, Switch	
8	4191706	3	Screw M6 x 12	
9	1061036	1	Cable, Manual Descent	
9	7020218	1	T-Handle (1/4)	
9	70001878	1	T-Handle (M5)	
10	3321402	1	Nut 1/4 - 28	
11	4160078	1	Spring, Compression	
12	4420070	1	Tape, Anti-Skid	

SECTION 3 - SCISSOR ARMS

FIGURE 3-2. SCISSORS ARMS ASSEMBLY - 1930ES STANDARD HYDRAULIC OIL (USA AND MEXICO BUILT MACHINES) (SN 0200239382 to Present, SN M200000100 through M200040097)

NOTE: IDENTIFY THE PART NUMBER STAMPED ON CYLINDER BEFORE ORDERING PARTS.



ART_1001157315

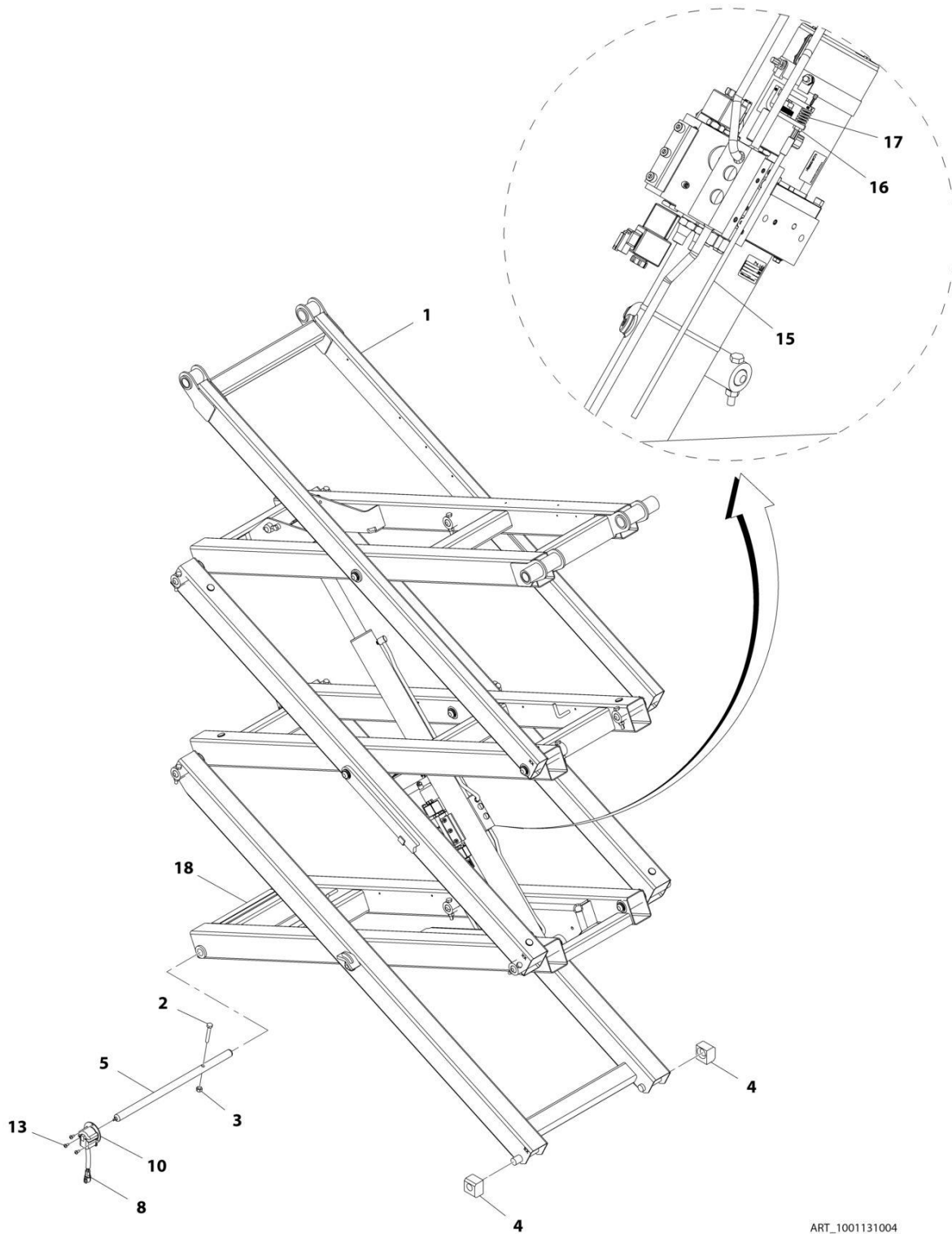
SECTION 3 - SCISSOR ARMS

FIGURE 3-2. SCISSORS ARMS ASSEMBLY - 1930ES STANDARD HYDRAULIC OIL (USA AND MEXICO BUILT MACHINES) (SN 0200239382 to Present, SN M200000100 through M200040097)

ITEM	PART NUMBER	QTY	DESCRIPTION	REV
	1001157315	Ref	SCISSOR ARMS ASSEMBLY - 1930ES STANDARD HYDRAULIC OIL	B
2	0200825	1	Arm - Lower Inboard	
3	0200810	1	Arm - Lower Outboard	
4	0200824	1	Arm - Mid Inboard	
5	0200823	1	Arms - Mid Outboard	
6	0200822	1	Arm - Mid Outboard	
7	0200821	1	Arm - Top Inboard	
8	0200815	1	Arm - Top Outboard	
9	0440266	4	Bearing	
10	0440264	28	Bearing	
11	3574159	1	Bar, Prop Attach	
12		Ref	Lift Cylinder Assembly - Standard Hydraulic Oil (See CYLINDER SECTION for Breakdown)	
12	1684484	1	Lift Cylinder Assembly - Texas Hydraulics	
12	1001155840	NLA	Lift Cylinder Assembly - Serta (Use p/n 1001214271) (SN 0200239382 through 0200258871, SN B200020297 through B200032100, SN M200000100 through M200003501)	
12	1001214271	1	Lift Cylinder Assembly - Serta (SN 0200258872 to Present, SN B200032101 to Present, SN M200003502 through M200040097)	
13	0701022	14	Bolt M10 x 70	
14	3340962	16	Pad, Arm Rest	
15	3423031	9	Pin	
16	3423032	4	Pin	
17	3423038	2	Pin	
18	3423042	1	Pin	
19	3760115	14	Ring, Retaining	
20	0761014	2	Screw M10 x 30	
21	4740531	15	Washer	
22	3760170	2	Ring, Split	
23	4812000	2	Washer M10	
24	3841143	2	Keeper, Pin	
25	3576093	1	Bar, Cable Carrier	
26	3291007	16	Nut M10	
27	2902455	1	Kit, 1930 Arm Weldments (Includes Items 2 - 11) (Not Shown)	

SECTION 3 - SCISSOR ARMS

FIGURE 3-3. SCISSORS ARMS INSTALLATION - 1930ES STANDARD HYDRAULIC OIL (BELGIUM AND CHINA BUILT MACHINES)



ART_1001131004

SECTION 3 - SCISSOR ARMS

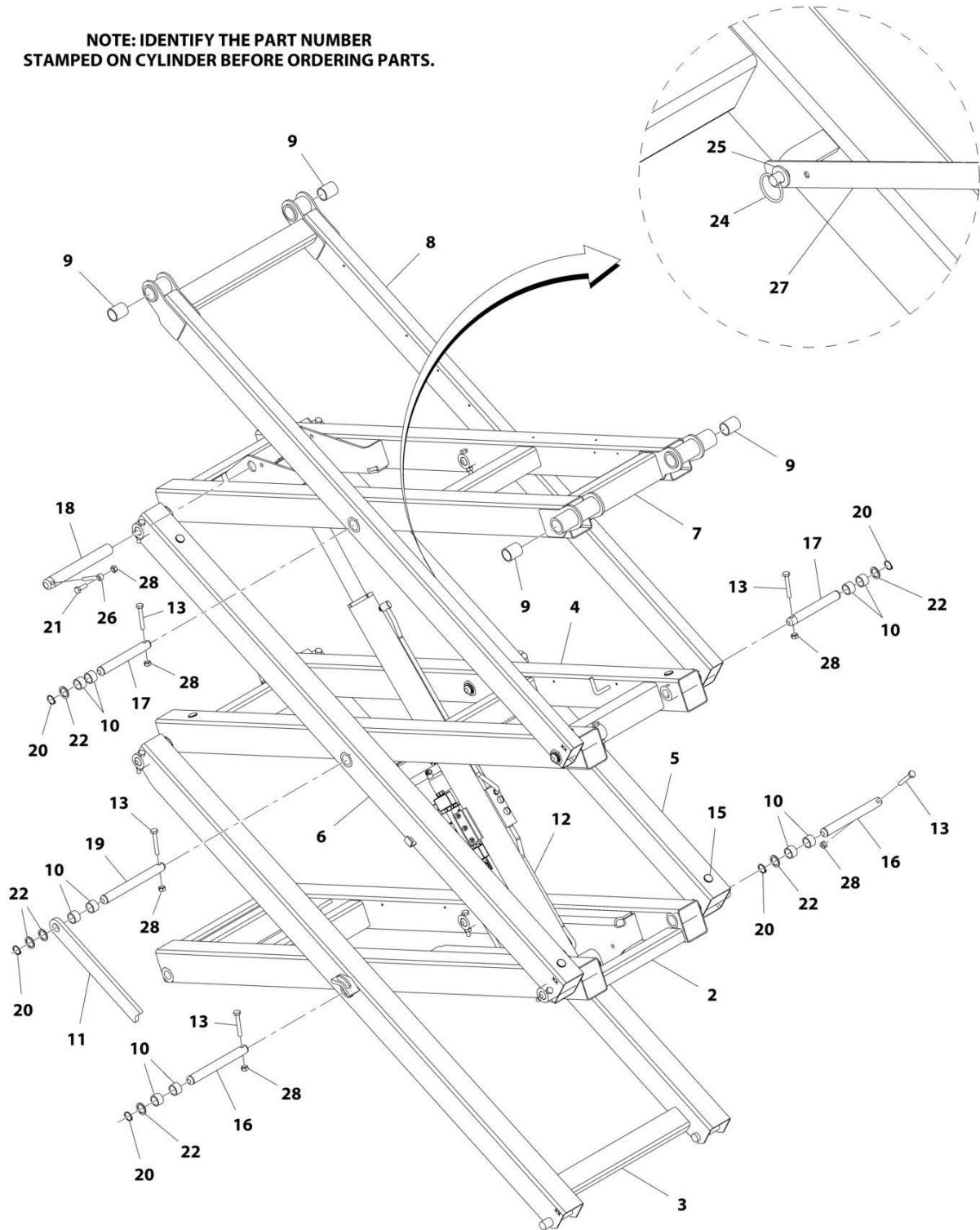
FIGURE 3-3. SCISSORS ARMS INSTALLATION - 1930ES STANDARD HYDRAULIC OIL (BELGIUM AND CHINA BUILT MACHINES)

ITEM	PART NUMBER	QTY	DESCRIPTION	REV
	1001131004	Ref	SCISSOR ARMS INSTALLATION - 1930ES STANDARD HYDRAULIC OIL	B
1	1001131019	1	Arms Assembly (See Separate Breakdown in this Section)	
2	0701022	1	Bolt M10 x 70	
3	3291005	1	Nut M10	
4	3340964	2	Pad, Slide	
5	3423239	1	Pin, Sensor	
8	1001092354	1	Switch, Rotary Angle Sensor	
10	3200454	1	Mount, Rotary Angle Sensor	
13	4191706	3	Screw M6 x 12	
15	1061036	1	Cable, Manual Descent	
15	7020218	1	T-Handle (1/4)	
15	70001878	1	T-Handle (M5)	
16	3321402	1	Nut 1/4 - 28	
17	4160078	1	Spring, Compression	
18	4420070	1	Tape - Anti Skid	

SECTION 3 - SCISSOR ARMS

FIGURE 3-4. SCISSORS ARMS ASSEMBLY - 1930ES STANDARD HYDRAULIC OIL (BELGIUM AND CHINA BUILT MACHINES)

NOTE: IDENTIFY THE PART NUMBER STAMPED ON CYLINDER BEFORE ORDERING PARTS.



ART_1001131019

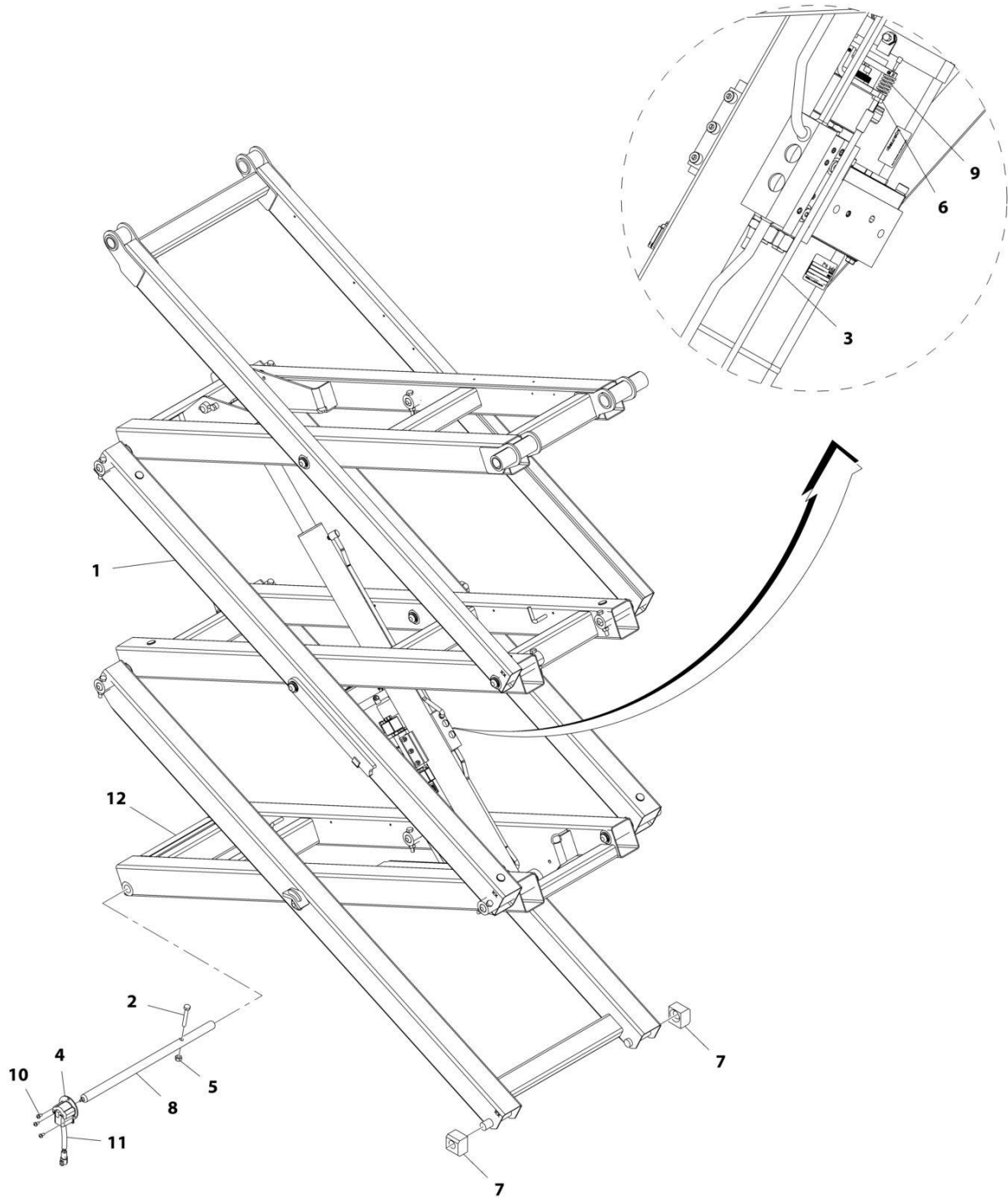
SECTION 3 - SCISSOR ARMS

FIGURE 3-4. SCISSORS ARMS ASSEMBLY - 1930ES STANDARD HYDRAULIC OIL (BELGIUM AND CHINA BUILT MACHINES)

ITEM	PART NUMBER	QTY	DESCRIPTION	REV
	1001131019	Ref	SCISSOR ARMS ASSEMBLY - 1930ES STANDARD HYDRAULIC OIL	C
2	0200825	1	Arm - Lower Inboard	
3	0200810	1	Arm - Lower Outboard	
4	0200824	1	Arm - Mid Inboard	
5	0200823	1	Arms - Mid Outboard	
6	0200822	1	Arm - Mid Outboard	
7	0200821	1	Arm - Top Inboard	
8	0200815	1	Arm - Top Outboard	
9	0440266	4	Bearing	
10	0440264	28	Bearing	
11	3574159	1	Plate, Safety Prop	
12	1001129288	NLA	Lift Cylinder Assembly - 1930ES Standard Hydraulic Oil (SH-PAC) (Use p/n 1001214270 (See CYLINDER SECTION for Breakdown) (SN 0200239382 through 0200258871, SN B200020297 through B200032100, SN M200000100 through M200003501)	
12	1001214270	1	Lift Cylinder Assembly - 1930ES Standard Hydraulic Oil (SH-PAC) (SN 0200258872 to Present, SN 1200025021 to Present, SN B200032101 to Present, SN M200003502 through M200040097)	
13	0701022	14	Bolt M10 x 70	
15	3340962	16	Pad, Arm	
16	3423031	9	Pin	
17	3423032	4	Pin	
18	3423038	2	Pin	
19	3423042	1	Pin	
20	3760115	14	Ring, Retaining	
21	0761014	2	Bolt M10 x 30	
22	4740531	15	Washer	
24	3760170	2	Ring, Split	
25	4812000	2	Washer M10	
26	3841143	2	Keeper, Pin	
27	3576093	1	Bar, Cable Carrier	
28	3291007	16	Nut M10	
29	2902455	1	Kit, 1930ES Arm Weldments (Includes Items 2 - 11) (Not Shown)	

SECTION 3 - SCISSOR ARMS

FIGURE 3-5. SCISSORS ARMS INSTALLATION - 1930ES BIODEGRADABLE HYDRAULIC OIL (CHINA BUILT MACHINES)



ART_1001131009

SECTION 3 - SCISSOR ARMS

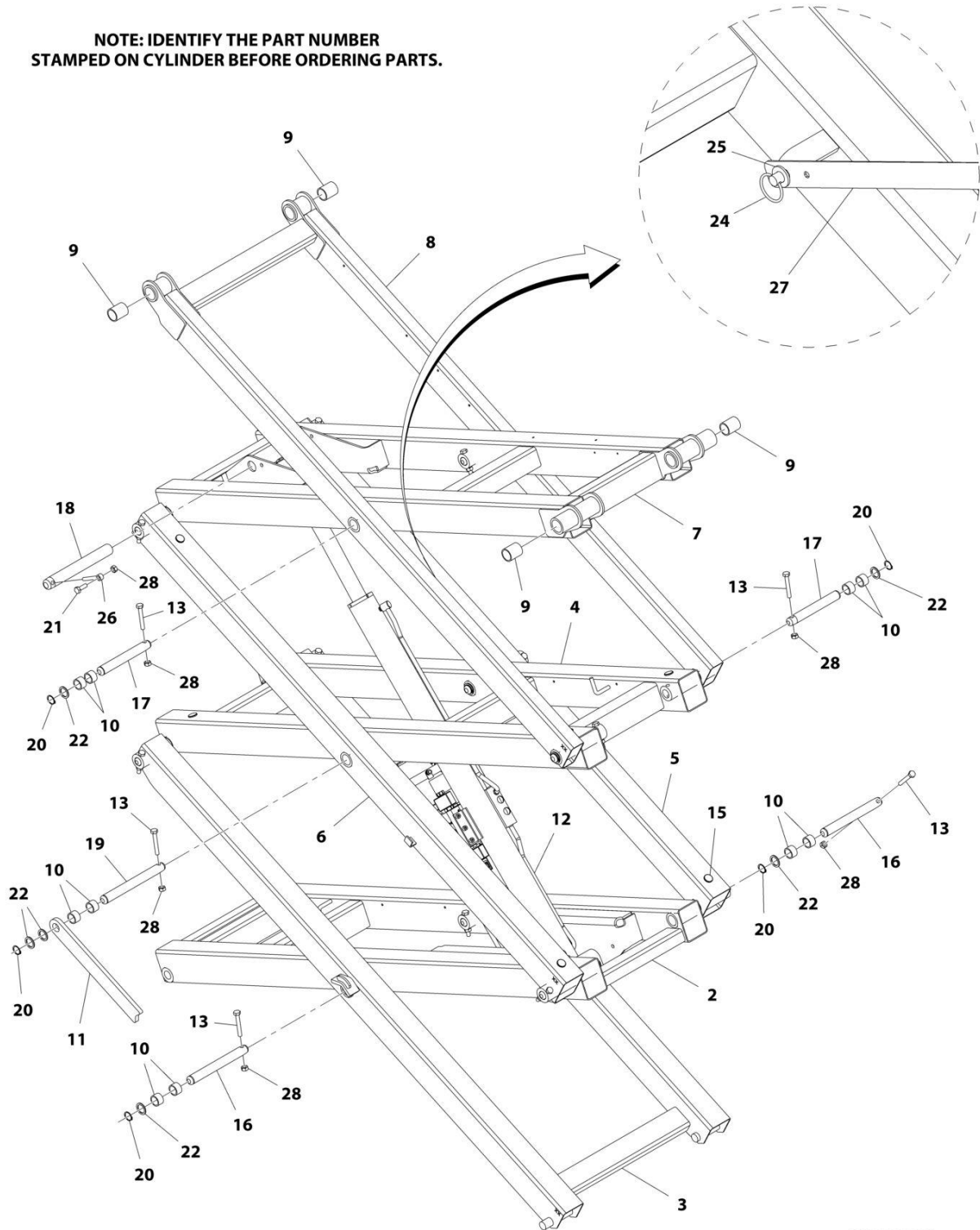
**FIGURE 3-5. SCISSORS ARMS INSTALLATION - 1930ES BIODEGRADEABLE HYDRAULIC OIL
(CHINA BUILT MACHINES)**

ITEM	PART NUMBER	QTY	DESCRIPTION	REV
	1001131009	Ref	SCISSOR ARMS INSTALLATION - 1930ES BIODEGRADEABLE HYDRAULIC OIL	B
1	1001131027	1	SCISSORS ARMS ASSEMBLY - 1930ES (See Separate Breakdown in this Section)	
2	0701022	1	Bolt M10 x 70	
3	1061036	1	Cable, Manual Descent	
3	7020218	1	T-Handle (1/4)	
3	70001878	1	T-Handle (M5)	
4	3200454	1	Mount, Switch	
5	3291005	1	Nut M10	
6	3321402	1	Nut 1/4 - 28	
7	3340964	2	Pad, Slide	
8	3423239	1	Pin, Sensor	
9	4160078	1	Spring, Compression	
10	4191706	3	Screw M6 x 12	
11	1001092354	1	Switch, Rotary Angle Sensor	
12	4420070	1	Tape, Anti - Skid	

SECTION 3 - SCISSOR ARMS

FIGURE 3-6. SCISSORS ARMS ASSEMBLY - 1930ES BIODEGRADABLE HYDRAULIC OIL (CHINA BUILT MACHINES)

NOTE: IDENTIFY THE PART NUMBER STAMPED ON CYLINDER BEFORE ORDERING PARTS.



ART_1001131027

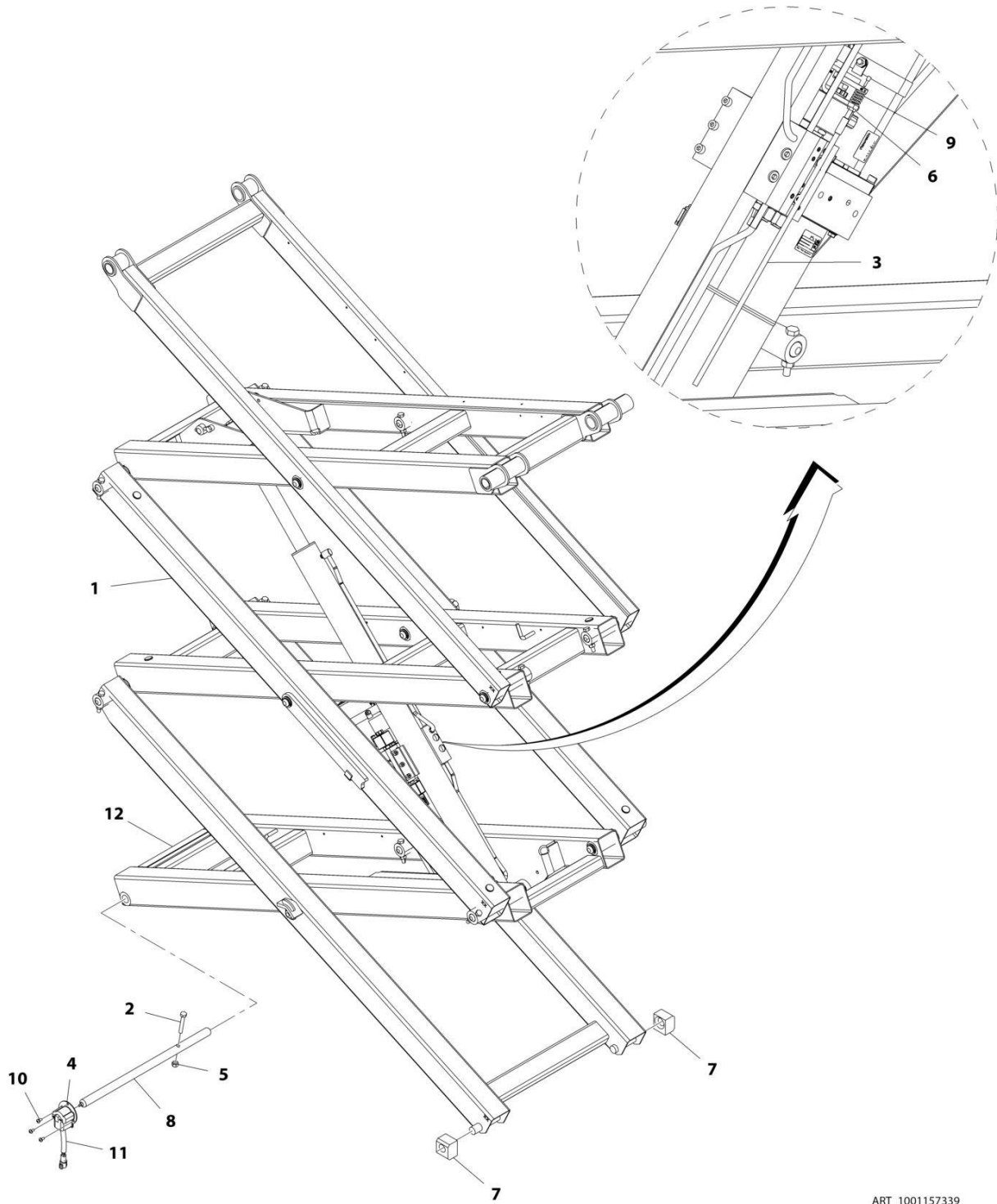
SECTION 3 - SCISSOR ARMS

FIGURE 3-6. SCISSORS ARMS ASSEMBLY - 1930ES BIODEGRADABLE HYDRAULIC OIL (CHINA BUILT MACHINES)

ITEM	PART NUMBER	QTY	DESCRIPTION	REV
	1001131027	Ref	SCISSOR ARMS ASSEMBLY - 1930ES BIODEGRADABLE HYDRAULIC OIL	D
2	0200825	1	Arm - Lower Inboard	
3	0200810	1	Arm - Lower Outboard	
4	0200824	1	Arm - Mid Inboard	
5	0200823	1	Arms - Mid Outboard	
6	0200822	1	Arm - Mid Outboard	
7	0200821	1	Arm - Top Inboard	
8	0200815	1	Arm - Top Outboard	
9	0440266	9	Bearing	
10	0440264	28	Bearing	
11	3574159	1	Plate, Safety Prop	
12	1001131033	1	Lift Cylinder Assembly - 1930ES Biodegradeable Hydraulic Oil (SH-PAC) (See Separate Breakdown in CYLINDER SECTION)	
13	0701022	14	Screw M10 x 70	
15	3340962	16	Pad, Arm	
16	3423031	9	Pin	
17	3423032	4	Pin	
18	3423038	2	Pin	
19	3423042	1	Pin	
20	3760115	14	Ring, Retaining	
21	0761014	2	Screw M10 x 30	
22	4740531	15	Washer	
24	3760170	2	Ring, Split	
25	4812000	2	Washer M10	
26	3841143	2	Keeper, Pin	
27	3576093	1	Bar, Prop Attach	
28	3291007	16	Nut, M10	
29	2902455	1	Kit, 1930 Arm Weldments (Includes Items 2 - 11) (Not Shown)	

SECTION 3 - SCISSOR ARMS

FIGURE 3-7. SCISSORS ARMS INSTALLATION - 1930ES BIODEGRADABLE HYDRAULIC OIL (USA BUILT MACHINES)



ART_1001157339

SECTION 3 - SCISSOR ARMS

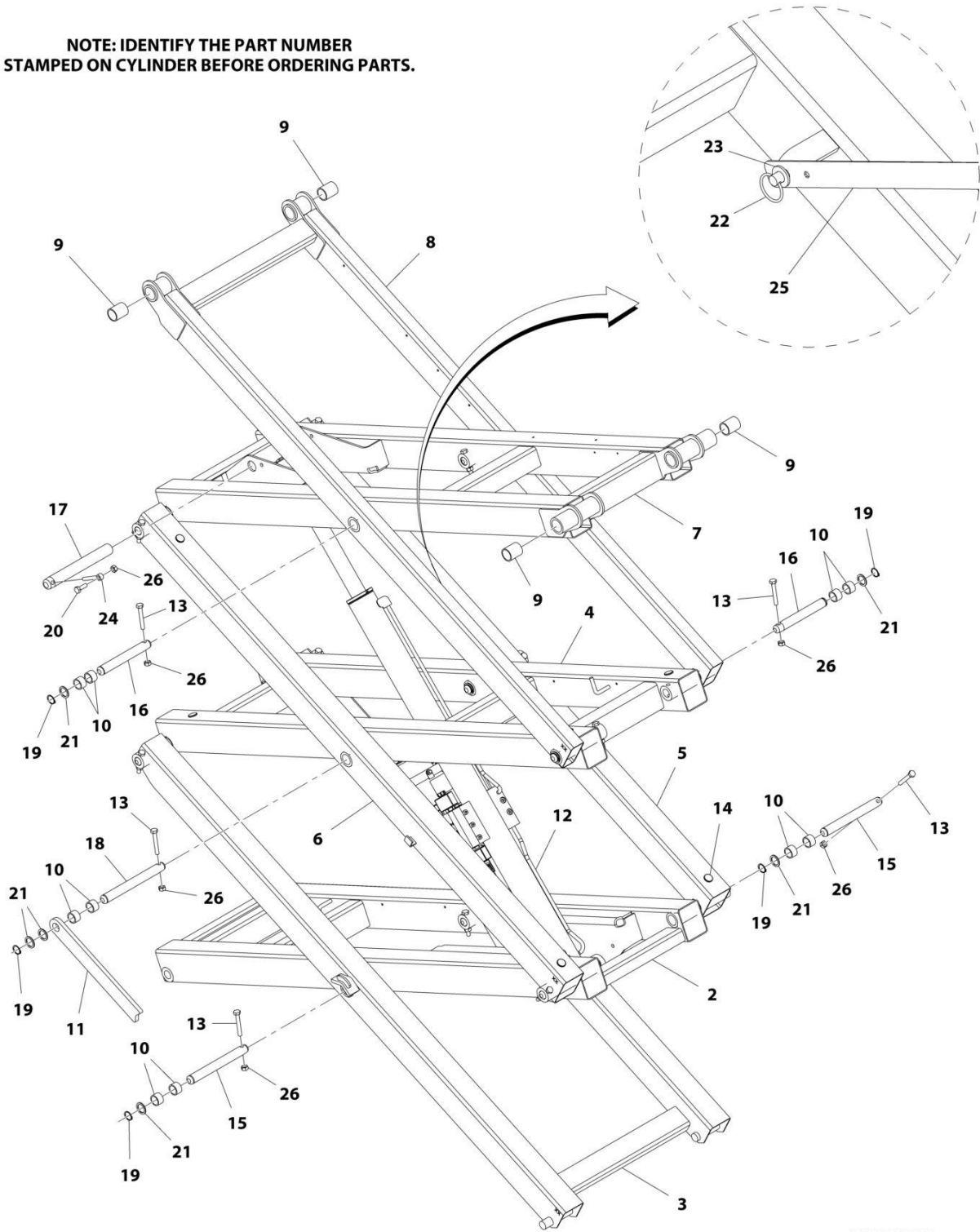
FIGURE 3-7. SCISSORS ARMS INSTALLATION - 1930ES BIODEGRADEABLE HYDRAULIC OIL (USA BUILT MACHINES)

ITEM	PART NUMBER	QTY	DESCRIPTION	REV
	1001157339	Ref	SCISSOR ARMS INSTALLATION - 1930ES BIODEGRADEABLE HYDRAULIC OIL	A
1	1001157334	1	Arms Assembly (See SCISSOR ARMS ASSEMBLY - 1930ES BIODEGRADEABLE HYDRAULIC OIL for Breakdown)	
2	0701022	1	Screw M10 x 70	
3	1061036	1	Cable, Manual Descent	
3	7020218	1	T-Handle (1/4)	
3	70001878	1	T-Handle (M5)	
4	3200454	1	Mount, Switch	
5	3291005	1	Nut M10	
6	3321402	1	Nut 1/4 - 28	
7	3340964	2	Pad, Slide	
8	3423239	1	Pin, Sensor	
9	4160078	1	Spring, Compression	
10	4191706	3	Screw M5 x 12	
11	1001092354	1	Switch, Rotary Angle Sensor	
12	4420070	1	Tape, Anti - Skid	

SECTION 3 - SCISSOR ARMS

FIGURE 3-8. SCISSORS ARMS ASSEMBLY - 1930ES BIODEGRADABLE HYDRAULIC OIL (USA BUILT MACHINES)

NOTE: IDENTIFY THE PART NUMBER STAMPED ON CYLINDER BEFORE ORDERING PARTS.



ART_1001157334

SECTION 3 - SCISSOR ARMS

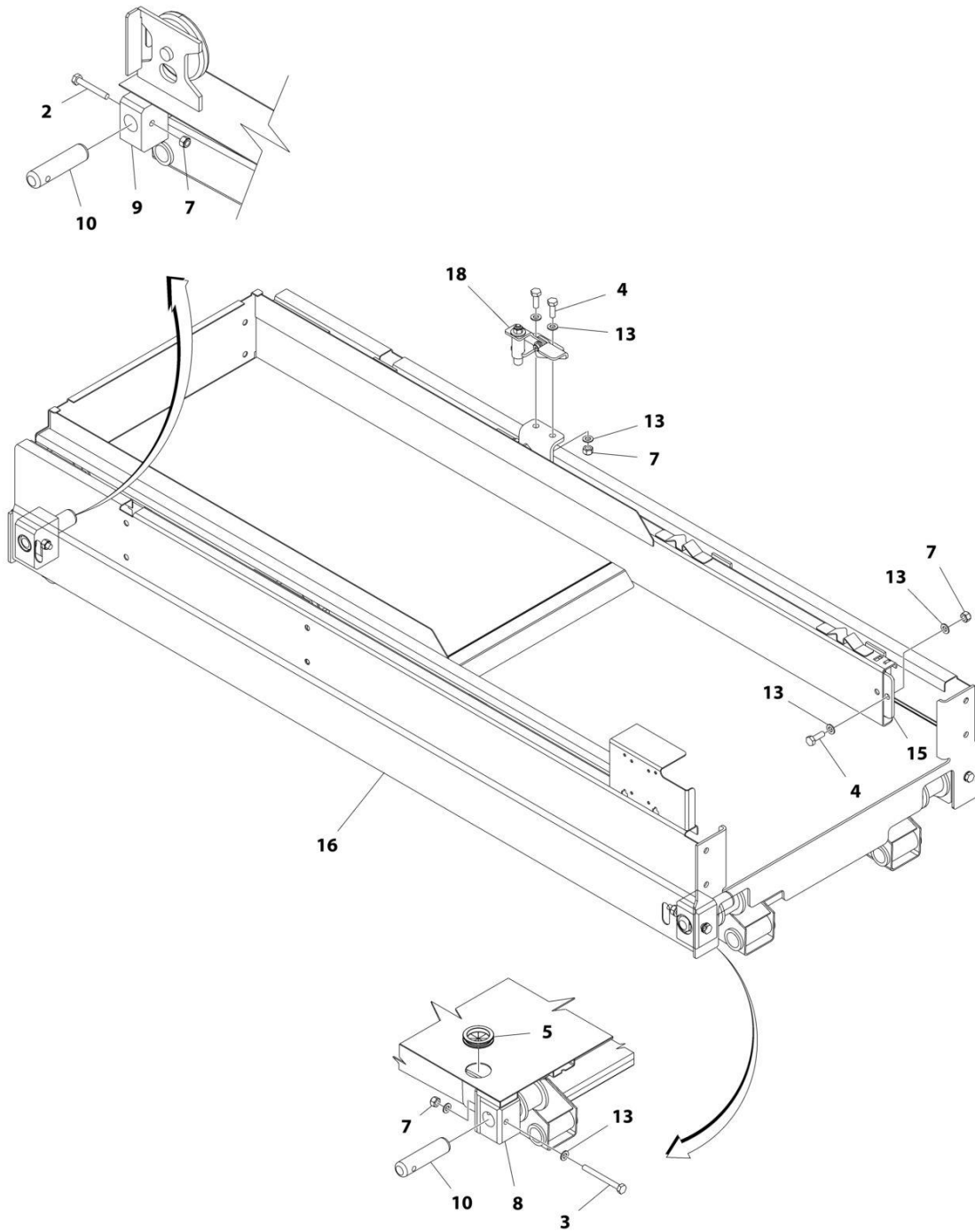
FIGURE 3-8. SCISSORS ARMS ASSEMBLY - 1930ES BIODEGRADABLE HYDRAULIC OIL (USA BUILT MACHINES)

ITEM	PART NUMBER	QTY	DESCRIPTION	REV
	1001157334	Ref	SCISSOR ARMS ASSEMBLY - 1930ES BIODEGRADABLE HYDRAULIC OIL	A
2	0200825	1	Arm - Lower Inboard	
3	0200810	1	Arm - Lower Outboard	
4	0200824	1	Arm - Mid Inboard	
5	0200823	1	Arms - Mid Outboard	
6	0200822	1	Arm - Mid Outboard	
7	0200821	1	Arm - Top Inboard	
8	0200815	1	Arm - Top Outboard	
9	0440266	4	Bearing	
10	0440264	28	Bearing	
11	3574159	1	Plate, Safety Prop	
12		Ref	Lift Cylinder Assembly - Biodegradeable Hydraulic Oil (See CYLINDER SECTION for Breakdown)	
	1684526	1	Lift Cylinder Assembly - Texas Hydraulics	
	1001157329	1	Lift Cylinder Assembly - Serta	
13	0701022	14	Screw M10 x 70	
14	3340962	16	Pad, Arm	
15	3423031	9	Pin	
16	3423032	4	Pin	
17	3423038	2	Pin	
18	3423042	1	Pin	
19	3760115	14	Ring, Retaining	
20	0761014	2	Screw M10 x 30	
21	4740531	15	Washer	
22	3760170	2	Ring, Split	
23	4812000	2	Washer M10	
24	3841143	2	Keeper, Pin	
25	3576093	1	Bar, Prop Attach	
26	3291007	16	Nut M10	
27	2902455	1	Kit, 1930 Arm Weldments (Includes Items 2 - 11) (Not Shown)	

SECTION 4 - PLATFORM

SECTION 4 - PLATFORM

FIGURE 4-1. PLATFORM INSTALLATION - WITH INSIDE EXTENSION RAILS AND WITHOUT LSS



ART_1001177175

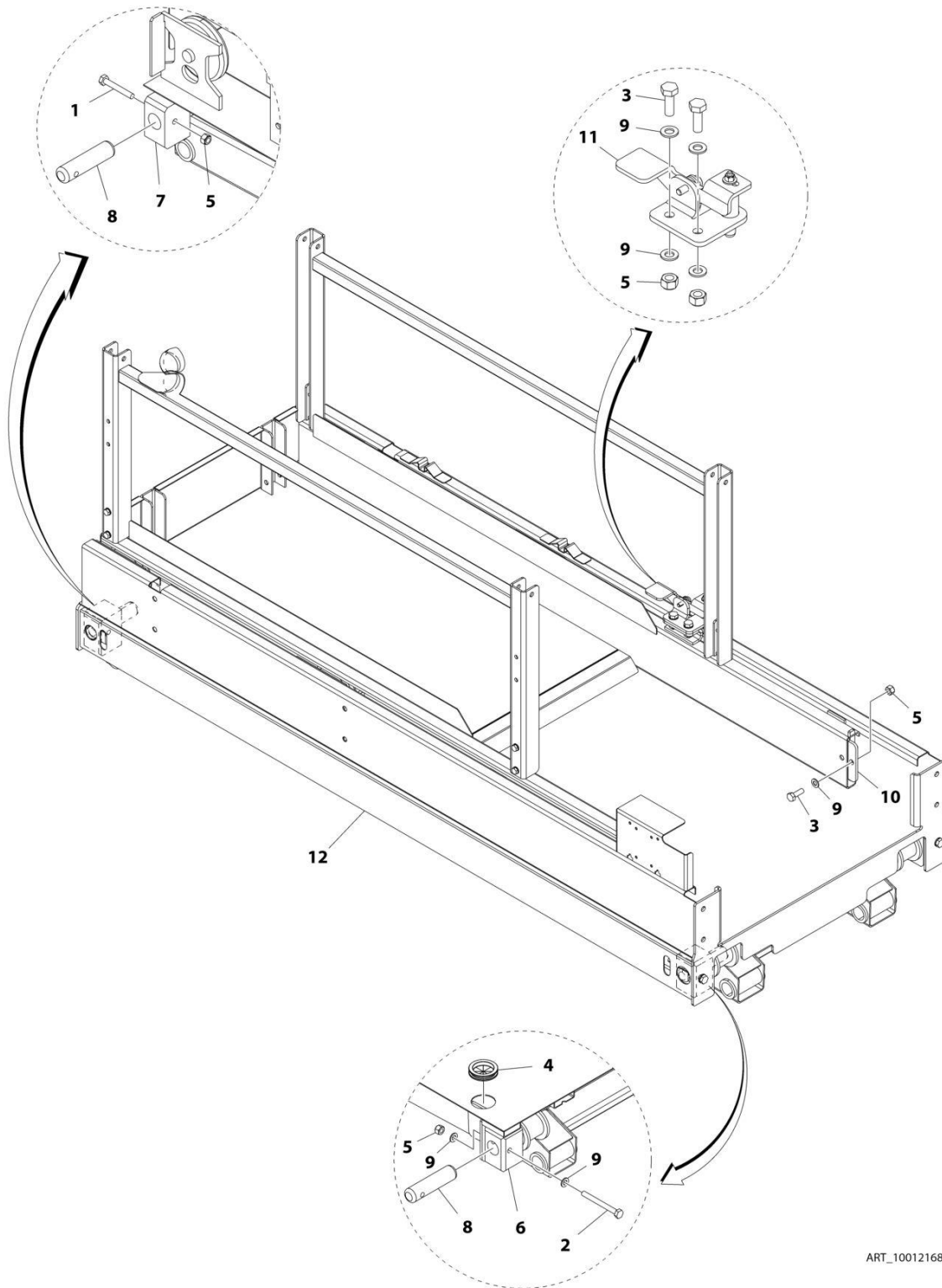
SECTION 4 - PLATFORM

FIGURE 4-1. PLATFORM INSTALLATION - WITH INSIDE EXTENSION RAILS AND WITHOUT LSS

ITEM	PART NUMBER	QTY	DESCRIPTION	REV
	1001177175	Ref	PLATFORM INSTALLATION - WITH INSIDE EXTENSION RAILS AND WITHOUT LSS	F
2	0701022	2	Bolt M10 x 70	
3	0701027	2	Bolt M10 x 100	
4	0761014	4	Bolt M10 x 30	
5	2540045	1	Grommet	
7	3291005	8	Nut M10	
8	3340965	2	Block, Slide	
9	3340976	2	Block, Slide	
10	3423049	4	Pin, Latch	
13	4812000	10	Washer M10	
15	1001175188	2	Bracket, Stop	
16	1001175463	1	Platform and Extension Assembly - With Inside Extension Rails (See PLATFORM AND EXTENSION ASSEMBLY - WITH INSIDE EXTENSION RAIL for Breakdown)	
18	1001182302	1	Latch Assembly - With Inside Extension Rails (See LATCH ASSEMBLY - WITH INSIDE EXTENSION RAIL for Breakdown) (SN 1200025021 through 1200030223, SN B200020297 through B200051193, SN M200000100 through M200021475)	
18	1001234398	1	Latch Assembly - With Inside Extension Rails (See LATCH ASSEMBLY - WITH INSIDE EXTENSION RAIL for Breakdown) (SN 1200030224 to Present, SN B200051194 to Present, SN M200021476 through M200040097)	

SECTION 4 - PLATFORM

FIGURE 4-2. PLATFORM INSTALLATION - WITH OUTSIDE EXTENSION RAILS AND WITHOUT LSS



ART_1001216829

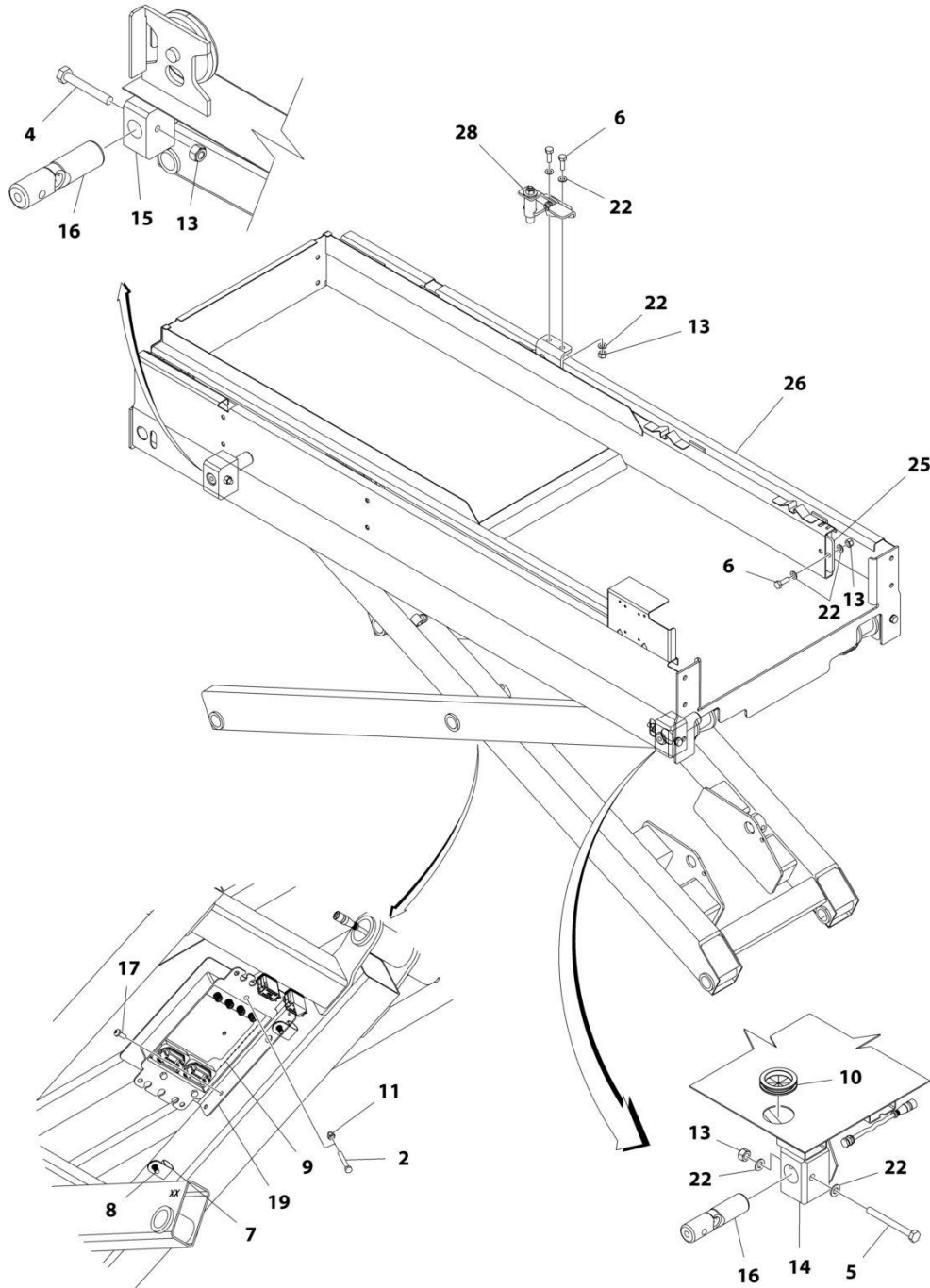
SECTION 4 - PLATFORM

FIGURE 4-2. PLATFORM INSTALLATION - WITH OUTSIDE EXTENSION RAILS AND WITHOUT LSS

ITEM	PART NUMBER	QTY	DESCRIPTION	REV
	1001216829	Ref	PLATFORM INSTALLATION - WITH OUTSIDE EXTENSION RAILS AND WITHOUT LSS	A
1	0701022	2	Bolt M10 x 70	
2	0701027	2	Bolt M10 x 100	
3	0761014	4	Bolt M10 x 30	
4	2540045	1	Grommet	
5	3291005	8	Nut M10	
6	0561513	2	Block, Upper Slide	
7	3340976	2	Block, Upper Slide	
8	3423049	4	Pin, Latch	
9	4812000	10	Washer M10	
10	1001175188	2	Bracket, Stop	
11	1001209256	1	Latch Assembly - With Outside Extension Rails (See LATCH ASSEMBLY - WITH OUTSIDE EXTENSION RAILS for Breakdown)	
12	1001215239	1	Platform and Extension Assembly - With Outside Extension Rails (See PLATFORM AND EXTENSION ASSEMBLY - WITH OUTSIDE EXTENSION RAILS for Breakdown)	

SECTION 4 - PLATFORM

FIGURE 4-3. PLATFORM INSTALLATION - WITH INSIDE EXTENSION RAILS AND WITH LSS



ART_1001177176

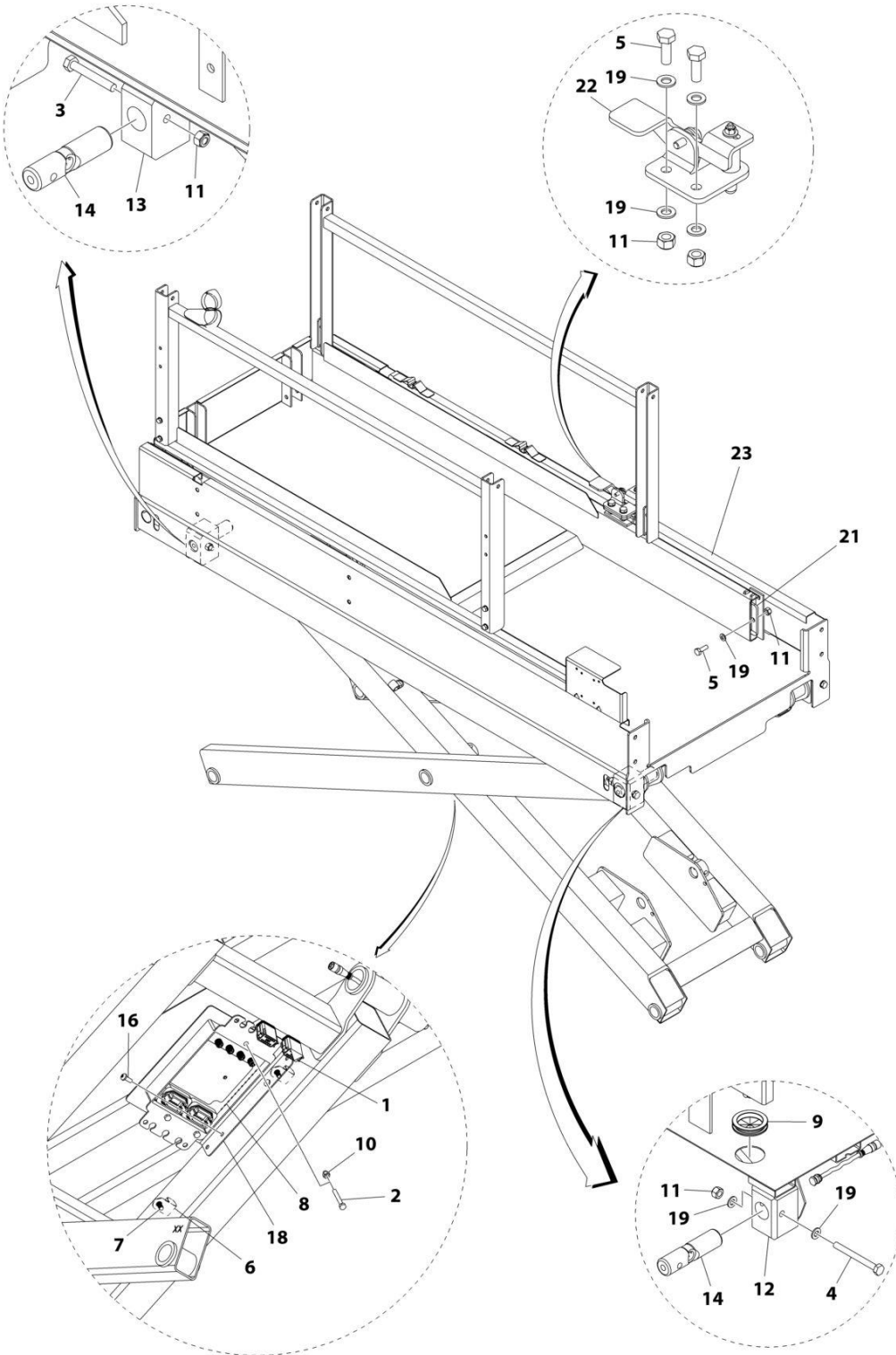
SECTION 4 - PLATFORM

FIGURE 4-3. PLATFORM INSTALLATION - WITH INSIDE EXTENSION RAILS AND WITH LSS

ITEM	PART NUMBER	QTY	DESCRIPTION	REV
	1001177176	Ref	PLATFORM INSTALLATION - WITH INSIDE EXTENSION RAILS AND WITH LSS	F
1	0100048	AR	Grease, Dielectric	
2	0700617	3	Bolt M6 x 45	
4	0701022	2	Bolt M10 x 70	
5	0701027	2	Bolt M10 x 100	
6	0761014	4	Bolt M10 x 30	
7	1320318	2	Clamp	
8	1380158	2	Clip	
9	1600387	1	Controller, Load Sense	
10	2540045	1	Grommet	
11	3290606	3	Nut M6	
13	3291005	8	Nut M10	
14	3340965	2	Block, Slide	
15	3340976	2	Block, Slide	
16	3422938	4	Pin	
17	4191707	2	Screw M6 x 16	
18	4240033	AR	Tie-Strap (Not Shown)	
19	4340931	1	Mount, LSS Module	
22	4812000	10	Washer M10	
23	4923228	1	Harness, Load Sense Without Fuse (Not Shown - See ELECTRICAL SECTION for Breakdown)	
23	1001263062	1	Harness, Load Sense With Fuse (Not Shown - See ELECTRICAL SECTION for Breakdown)	
25	1001175188	2	Bracket, Stop	
26	1001175463	1	Platform and Extension Assembly - With Inside Extension Rails (See PLATFORM AND EXTENSION ASSEMBLY - WITH INSIDE EXTENSION RAIL for Breakdown)	
28	1001182302	1	Latch Assembly - With Inside Extension Rails (See LATCH ASSEMBLY - WITH INSIDE EXTENSION RAIL for Breakdown) (SN 1200025021 through 1200030223, SN B200020297 through B200051193, SN M200000100 through M200021475)	
28	1001234398	1	Latch Assembly - With Inside Extension Rails (See LATCH ASSEMBLY - WITH INSIDE EXTENSION RAIL for Breakdown) (SN 1200030224 to Present, SN B200051194 to Present, SN M200021476 through M200040097)	

SECTION 4 - PLATFORM

FIGURE 4-4. PLATFORM INSTALLATION - WITH OUTSIDE EXTENSION RAILS AND WITH LSS



ART_1001216831

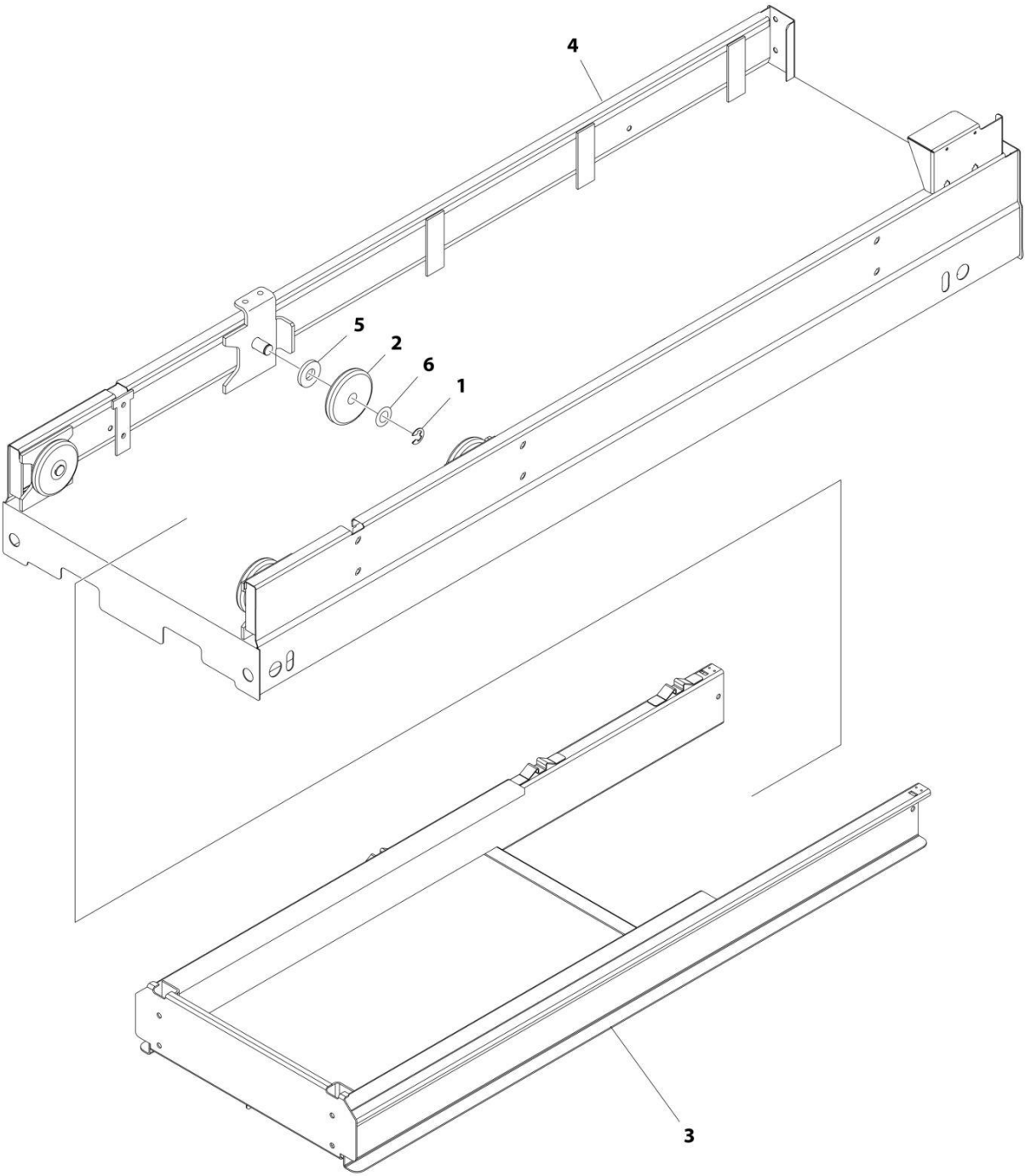
SECTION 4 - PLATFORM

FIGURE 4-4. PLATFORM INSTALLATION - WITH OUTSIDE EXTENSION RAILS AND WITH LSS

ITEM	PART NUMBER	QTY	DESCRIPTION	REV
	1001216831	Ref	PLATFORM INSTALLATION - WITH OUTSIDE EXTENSION RAILS AND WITH LSS	A
1	0100048	AR	Grease, Dielectric	
2	0700617	3	Bolt M6 x 45	
3	0701022	2	Bolt M10 x 70	
4	0701027	2	Bolt M10 x 100	
5	0761014	4	Bolt M10 x 30	
6	1320318	2	Clamp	
7	1380158	2	Clip	
8	1600387	1	Controller, Load Sense	
9	2540045	1	Grommet	
10	3290606	3	Nut M6	
11	3291005	8	Nut M10	
12	0561513	2	Block, Upper Slide	
13	3340976	2	Block, Upper Slide	
14	3422938	4	Pin	
16	4191707	2	Screw M6 x 16	
17	4240033	AR	Tie-Strap (Not Shown)	
18	3200456	1	Mount, Module	
19	4812000	10	Washer M10	
20	4923228	1	Harness, Load Sense (Not Shown – See Separate Breakdown in ELECTRICAL SECTION)	
21	1001175188	2	Bracket, Stop	
22	1001209256	1	Latch Assembly - With Outside Extension Rails (See Separate Breakdown in this Section)	
23	1001215239	1	Platform and Extension Assembly - With Outside Extension Rails (See Separate Breakdown in this Section)	

SECTION 4 - PLATFORM

FIGURE 4-5. PLATFORM AND EXTENSION ASSEMBLY - WITH INSIDE EXTENSION RAILS



ART_1001175463

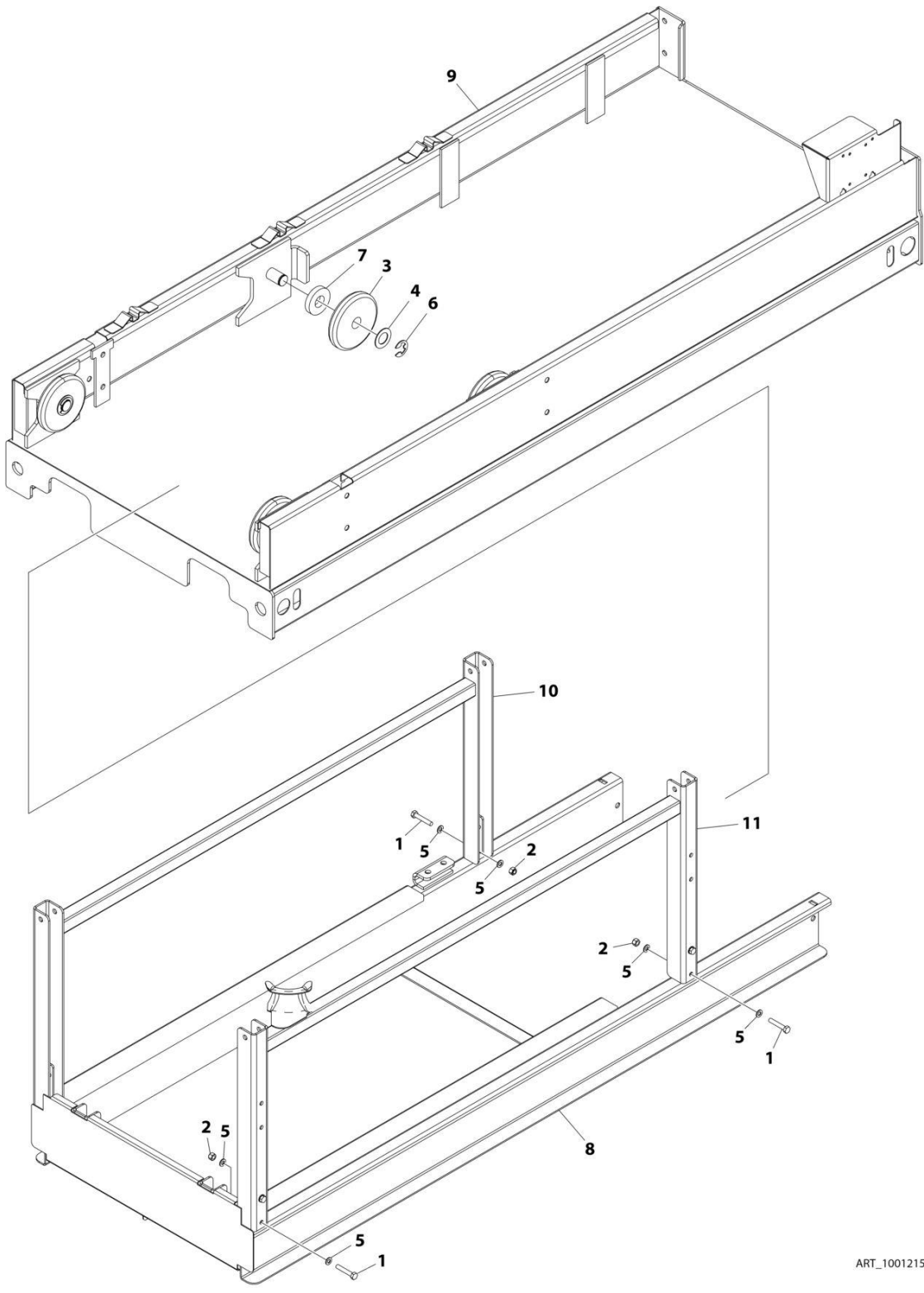
SECTION 4 - PLATFORM

FIGURE 4-5. PLATFORM AND EXTENSION ASSEMBLY - WITH INSIDE EXTENSION RAILS

ITEM	PART NUMBER	QTY	DESCRIPTION	REV
	1001175463	Ref	PLATFORM AND EXTENSION ASSEMBLY - WITH INSIDE EXTENSION RAILS	N
1	1001182339	4	Clip	
2	3860118	4	Roller (SN 0200239382 to Present, SN 1200025021 to Present, SN B200020297 through B200059616, SN M200000100 through M200040097)	
2	1001243601	4	Roller (SN B200059617 to Present)	
3	1001175290	1	Extension, Platform (SN 0200239382 to Present, SN 1200025021 through 1200030105, SN B200020297 through B200051292, SN M200000100 through M200019914)	
3	1001232145	1	Extension, Platform (SN 1200030106 to Present, SN B200051293 to Present, SN M200019915 through M200040097)	
4	1001175402	1	Platform	
5	1001182062	4	Tube, Spacer (SN 0200239382 to Present, SN 1200025021 to Present, SN B200020297 through B200059616, SN M200000100 through M200040097)	
6	4740446	4	Washer, Thrust	

SECTION 4 - PLATFORM

FIGURE 4-6. PLATFORM AND EXTENSION ASSEMBLY - WITH OUTSIDE EXTENSION RAILS



ART_1001215239

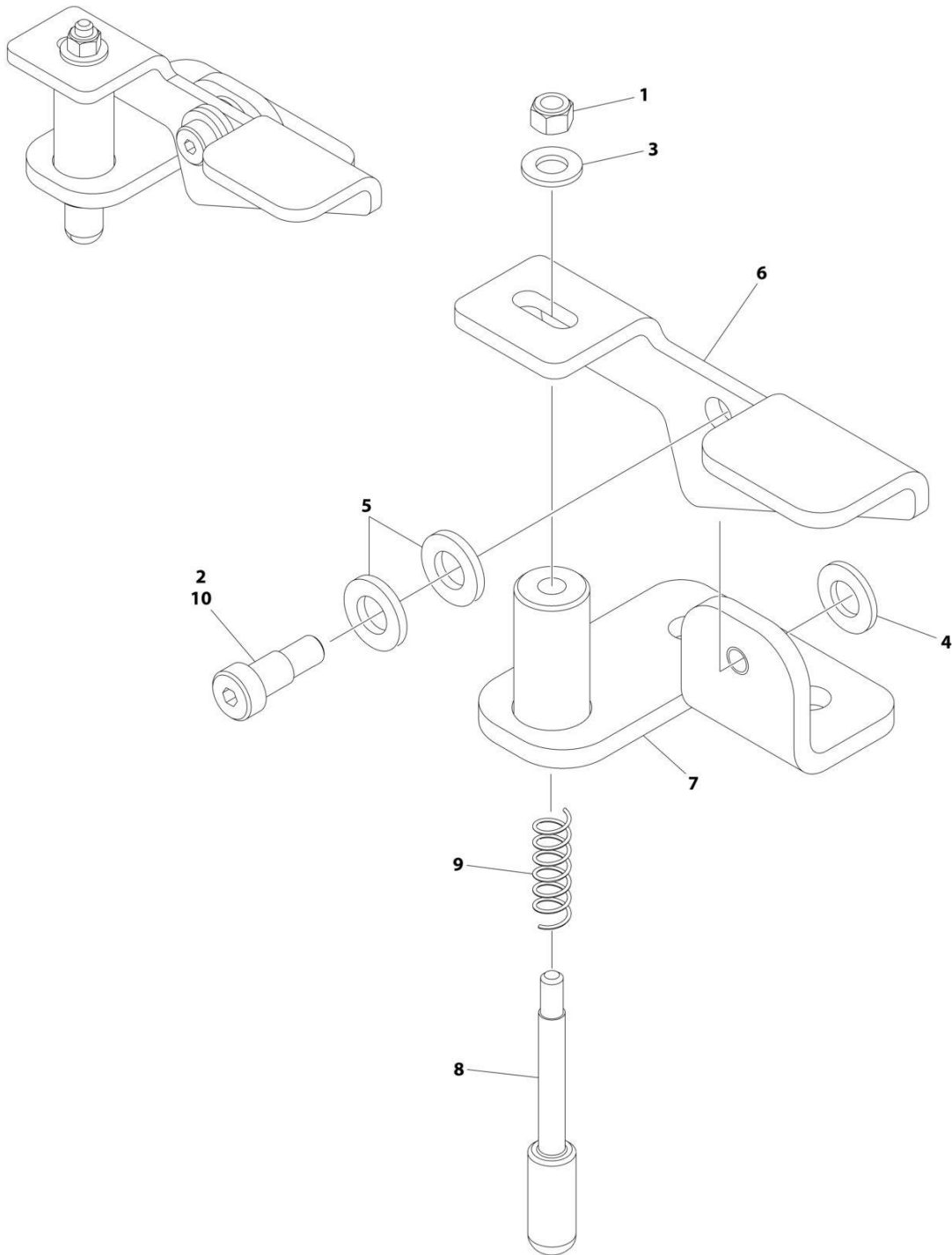
SECTION 4 - PLATFORM

FIGURE 4-6. PLATFORM AND EXTENSION ASSEMBLY - WITH OUTSIDE EXTENSION RAILS

ITEM	PART NUMBER	QTY	DESCRIPTION	REV
	1001215239	Ref	PLATFORM AND EXTENSION ASSEMBLY - WITH OUTSIDE EXTENSION RAILS	C
1	0700814	8	Bolt M8 x 30	
1	0700817	8	Bolt M8 x 45	
2	3290805	8	Nut M8	
3	3860118	4	Roller (SN 0200239382 to Present, SN 1200025021 to Present, SN B200020297 through B200059616, SN M200000100 through M200040097)	
3	1001243601	4	Roller (SN B200059617 to Present)	
4	4740446	4	Washer, Thrust	
5	4811900	16	Washer M8	
6	1001182339	4	Clip	
7	1001211892	4	Tube, Spacer (SN 0200239382 to Present, SN 1200025021 to Present, SN B200020297 through B200059616, SN M200000100 through M200040097)	
8	1001217730	1	Extension, Platform	
9	1001217745	1	Platform	
10	1001217923	1	Rail, Mid	
11	1001217924	1	Rail, Mid	

SECTION 4 - PLATFORM

FIGURE 4-7. LATCH ASSEMBLY - WITH INSIDE EXTENSION RAILS (SN 1200025021 through 1200030223, SN B200020297 through B200051193, SN M200000100 through M200021475)



ART_1001182302

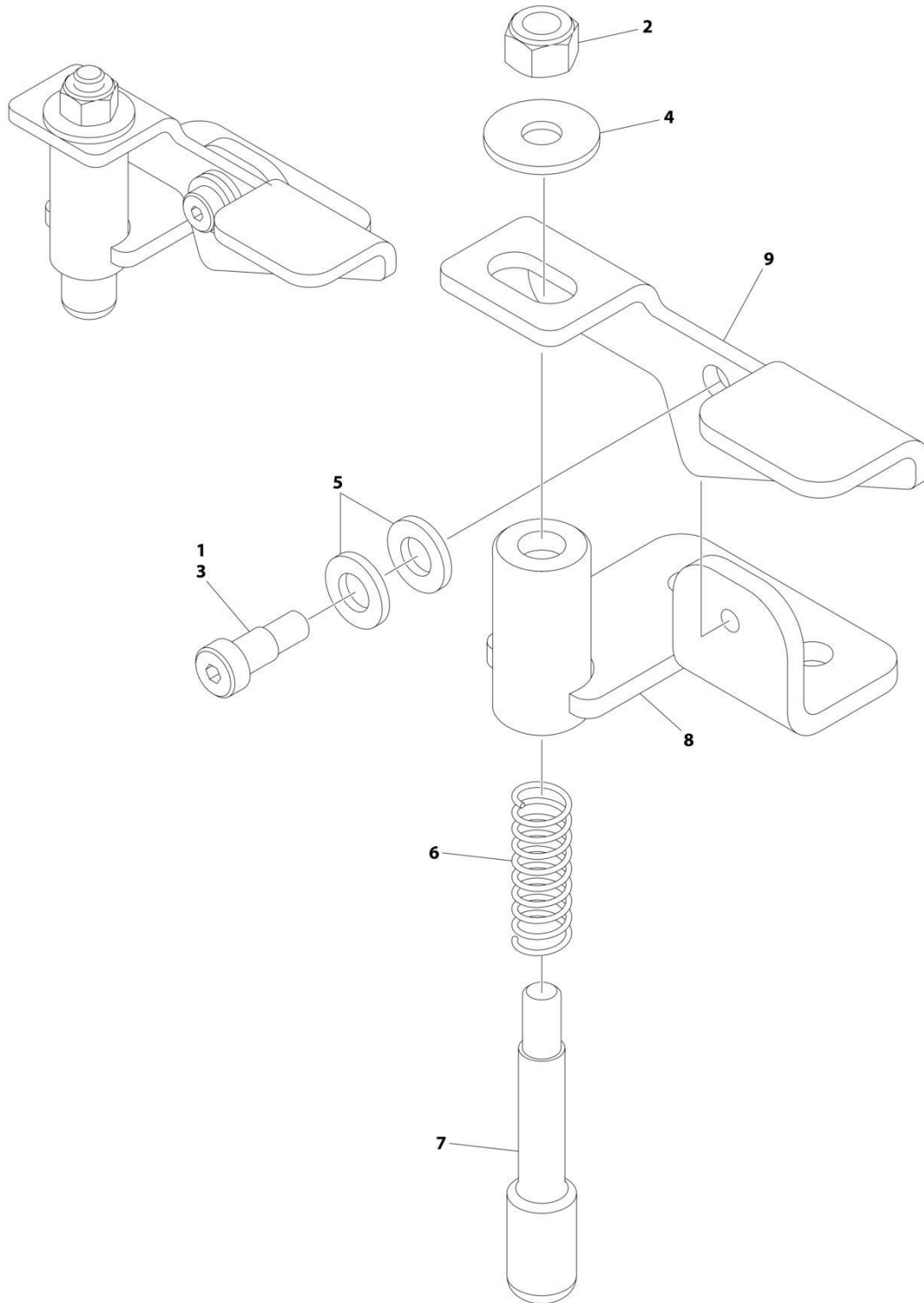
SECTION 4 - PLATFORM

FIGURE 4-7. LATCH ASSEMBLY - WITH INSIDE EXTENSION RAILS (SN 1200025021 through 1200030223, SN B200020297 through B200051193, SN M200000100 through M200021475)

ITEM	PART NUMBER	QTY	DESCRIPTION	REV
	1001182302	Ref	LATCH ASSEMBLY - WITH INSIDE EXTENSION RAILS	G
1	3290605	1	Nut M6	
2	3900190	1	Screw	
3	4811900	1	Washer M8	
4	4812000	1	Washer M10	
5	5241000	2	Washer M10	
6	1001178323	1	Latch	
7	1001182304	1	Bracket	
8	1001182305	1	Rod, Threaded	
9	1001182338	1	Spring	
10	0100011	AR	Compound, Locking	

SECTION 4 - PLATFORM

FIGURE 4-8. LATCH ASSEMBLY - WITH INSIDE EXTENSION RAILS (SN 1200030224 to Present, SN B200051194 to Present, SN M200021476 through M200040097)



ART_1001234398

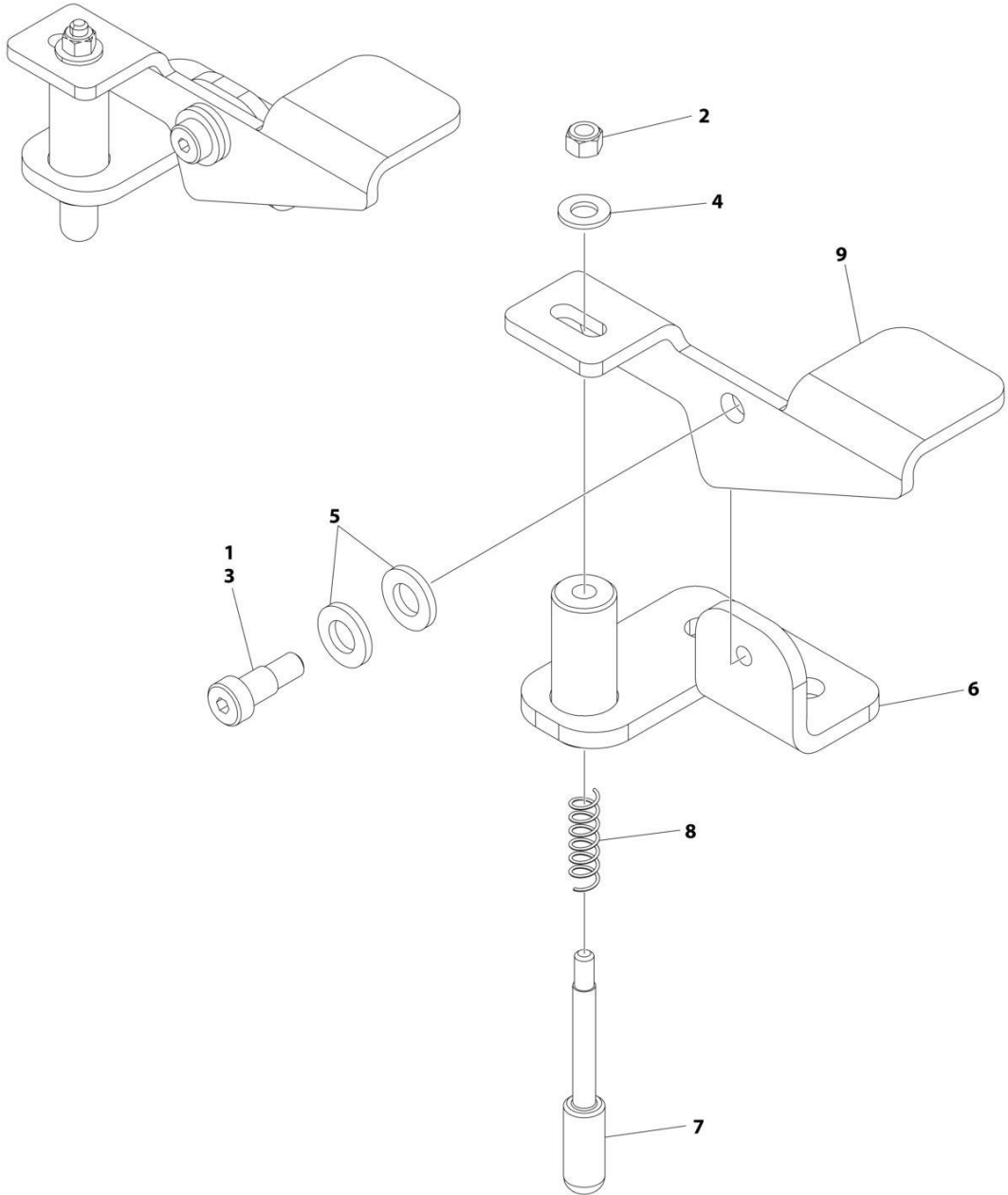
SECTION 4 - PLATFORM

FIGURE 4-8. LATCH ASSEMBLY - WITH INSIDE EXTENSION RAILS (SN 1200030224 to Present, SN B200051194 to Present, SN M200021476 through M200040097)

ITEM	PART NUMBER	QTY	DESCRIPTION	REV
	1001234398	Ref	LATCH ASSEMBLY - WITH INSIDE EXTENSION RAILS	B
1	0100011	AR	Compound, Locking	
2	3291005	1	Nut M10	
3	3900190	1	Screw	
4	4812002	1	Washer M10	
5	5241000	2	Washer M10	
6	1001221475	1	Spring	
7	1001221476	1	Rod, Threaded	
8	1001234399	1	Bracket	
9	1001234401	1	Latch	

SECTION 4 - PLATFORM

FIGURE 4-9. LATCH ASSEMBLY - WITH OUTSIDE EXTENSION RAILS



ART_1001209256

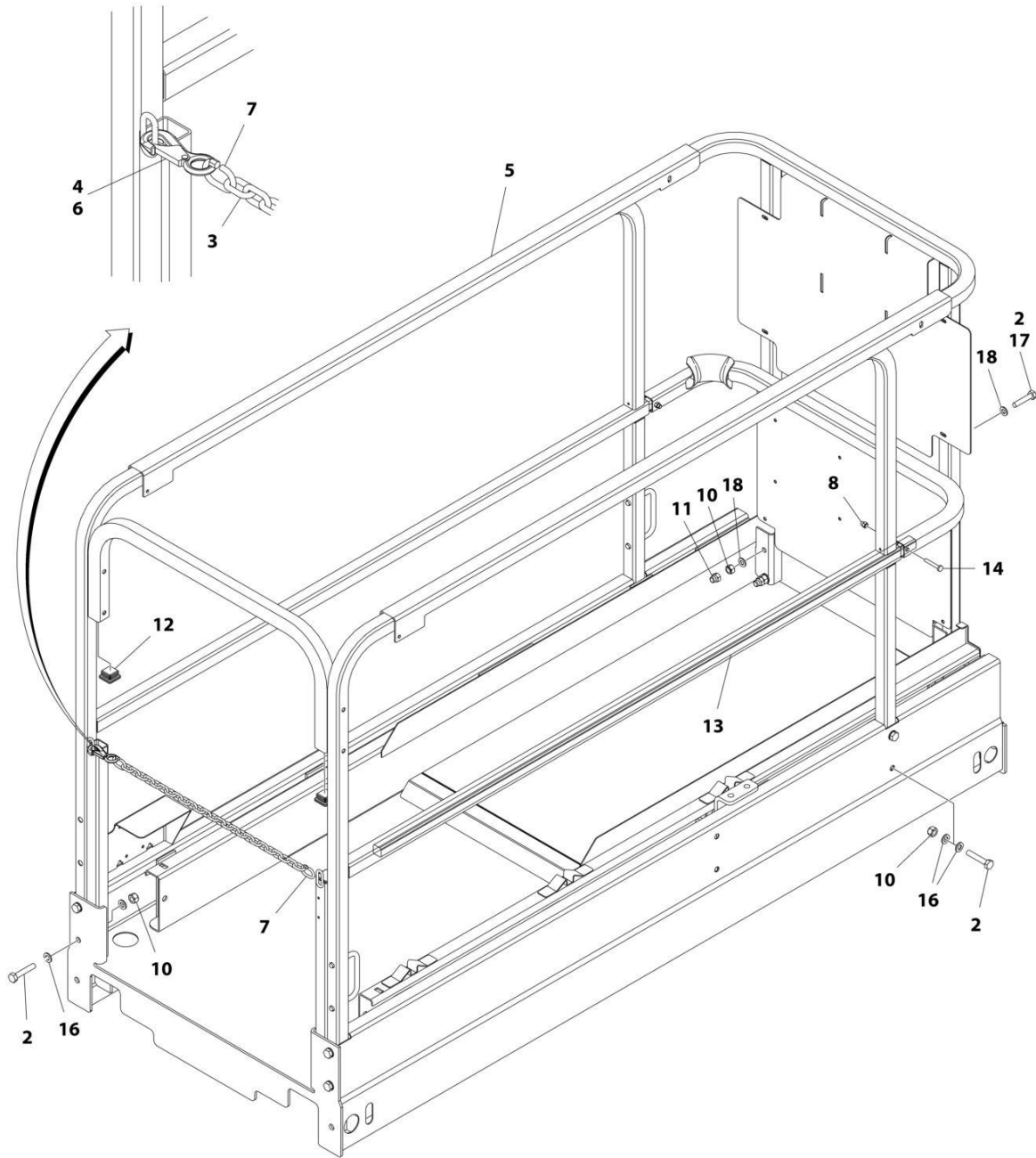
SECTION 4 - PLATFORM

FIGURE 4-9. LATCH ASSEMBLY - WITH OUTSIDE EXTENSION RAILS

ITEM	PART NUMBER	QTY	DESCRIPTION	REV
	1001209256	Ref	LATCH ASSEMBLY - WITH OUTSIDE EXTENSION RAILS	E
1	0100011	AR	Compound, Locking	
2	3290605	1	Nut M6	
2	3291005	1	Nut M10	
3	3900190	1	Screw	
4	4811900	1	Washer M8	
4	4812000	1	Washer M10	
4	4812002	1	Washer M10	
5	5241000	2	Washer M10	
6	1001182304	1	Bracket (SN 0200239382 through 0200266381, SN 1200025021 through 1200030068, SN B200020297 through B300049127, SN M200000100 through M200021508)	
6	1001234399	1	Bracket (SN 0200266382 to Present, SN 1200030069 to Present, SN B200049128 to Present, SN M200021509 through M200040097)	
7	1001182305	1	Rod, Threaded (SN 0200239382 through 0200266381, SN 1200025021 through 1200030068, SN 0200239382 through 0200264493, SN B200020297 through B300049127)	
7	1001221476	1	Rod, Threaded (SN 0200266382 to Present, SN 1200030069 to Present, SN 0200264494 to Present, SN B200041198 to Present, SN M200000100 through M200040097)	
8	1001182338	1	Spring (SN 0200239382 through 0200266381, SN 1200025021 through 1200030068, SN 0200239382 through 0200264493, SN B200020297 through B300049127)	
8	1001221475	1	Spring (SN 0200266382 to Present, SN 1200030069 to Present, SN 0200264494 to Present, SN B200041198 to Present, SN M200000100 through M200040097)	
9	1001209280	1	Latch	

SECTION 4 - PLATFORM

FIGURE 4-10. RAILS INSTALLATION - WITH INSIDE EXTENSION RAILS AND CHAIN GATE



ART_1001176740

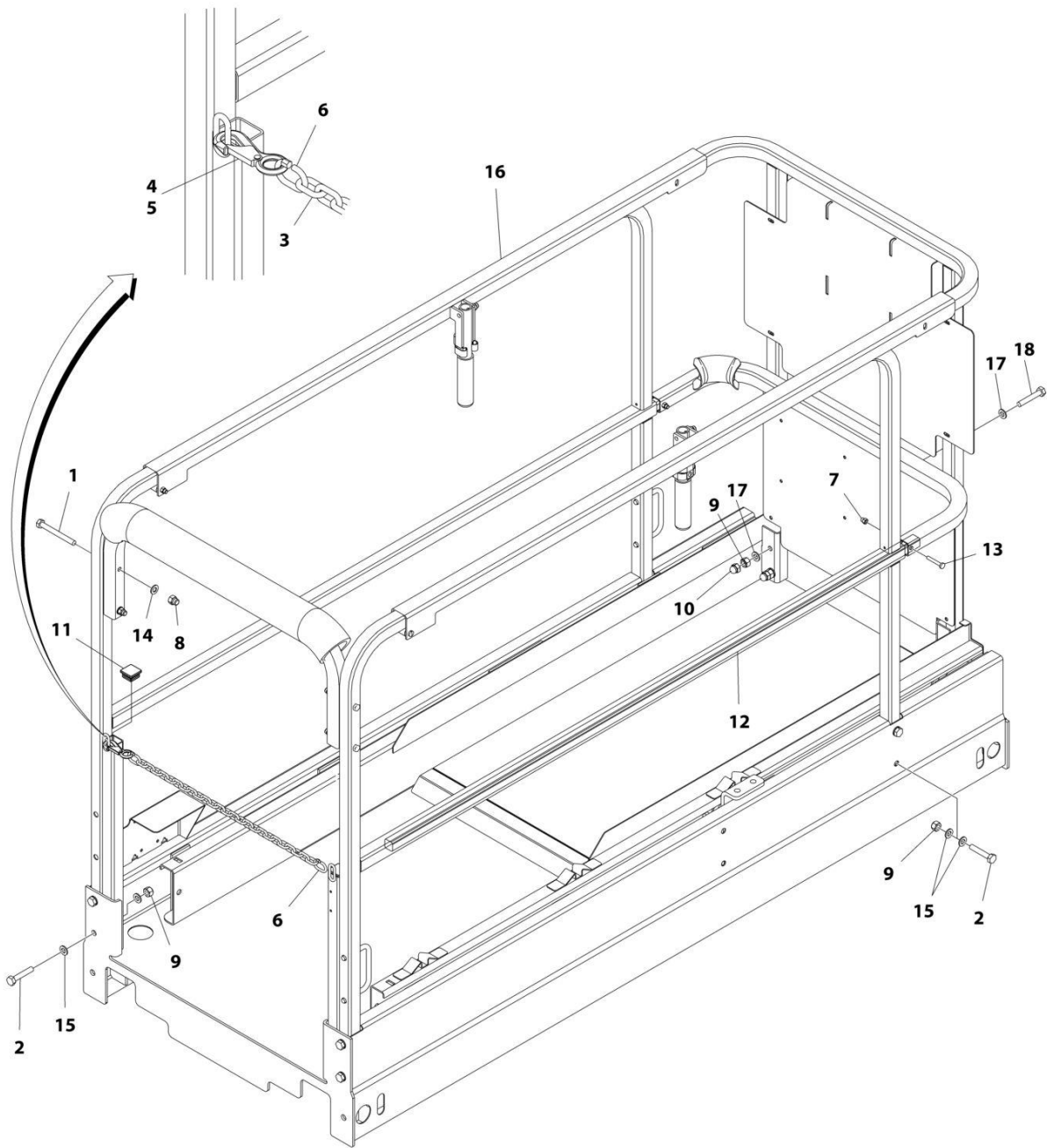
SECTION 4 - PLATFORM

FIGURE 4-10. RAILS INSTALLATION - WITH INSIDE EXTENSION RAILS AND CHAIN GATE

ITEM	PART NUMBER	QTY	DESCRIPTION	REV
	1001176740	Ref	RAILS INSTALLATION - WITH INSIDE EXTENSION RAILS AND CHAIN GATE	G
2	0701019	AR	Bolt M10 x 55	
3	1260136	21 in/ .53m	Chain	
4	2820097	20 in/ .5m	Cover, Chain	
5	1001188882	1	Rail Kit - Chain Gate (See RAIL KIT - CHAIN GATE for Breakdown)	
6	2940064	1	Latch, Snap	
7	3010088	2	Link	
8	3290606	2	Nut M6	
10	3291005	AR	Nut M10	
11	3300477	4	Nut	
11	3291006	4	Nut M10	
12	3520072	3	Plug	
13	3841716	2	Rod, Fiberglass	
14	4010616	2	Screw M6 x 40	
16	4812000	AR	Washer M10	
17	0701019	4	Bolt M10 x 55	
17	0701018	4	Bolt M10 x 50	
18	4812000	8	Washer M10	
18	4812002	8	Washer M10	

SECTION 4 - PLATFORM

FIGURE 4-11. RAILS INSTALLATION - WITH INSIDE EXTENSION RAILS, HANDLE AND CHAIN GATE



ART_1001212850

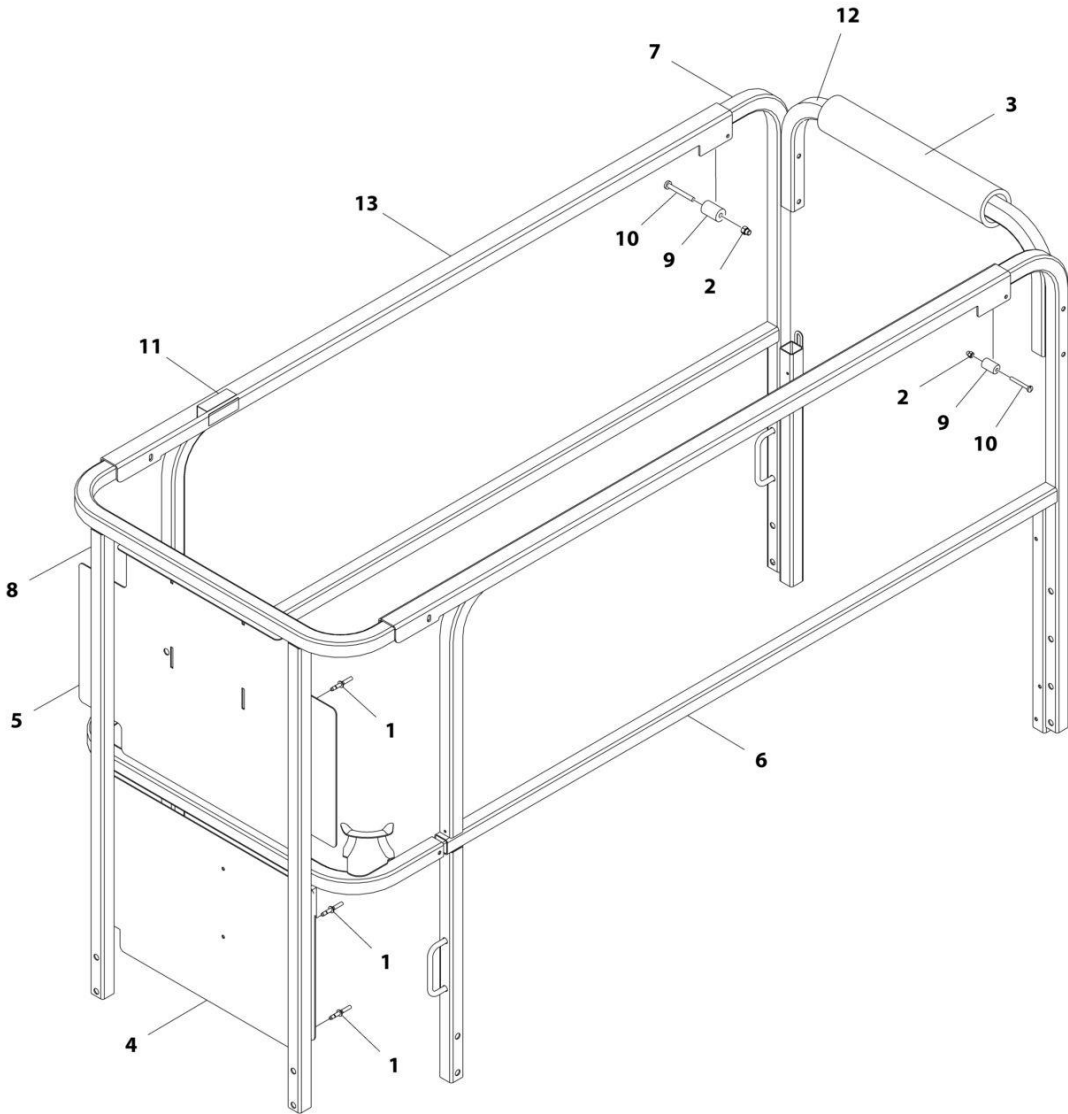
SECTION 4 - PLATFORM

FIGURE 4-11. RAILS INSTALLATION - WITH INSIDE EXTENSION RAILS, HANDLE AND CHAIN GATE

ITEM	PART NUMBER	QTY	DESCRIPTION	REV
	1001212850	Ref	RAILS INSTALLATION - WITH INSIDE EXTENSION RAILS, HANDLE AND CHAIN GATE	B
1	0700823	4	Bolt M8 x 75	
2	0701019	AR	Bolt M10 x 55	
3	1260136	21 in/ .53m	Chain	
4	2820097	20 in/ .5m	Cover, Chain	
5	2940064	1	Latch, Snap	
6	3010088	2	Link	
7	3290606	2	Nut M6	
8	3290806	4	Nut M8	
9	3291005	12	Nut M10	
10	3300477	4	Nut	
11	3520072	2	Cap	
12	3841716	2	Rod	
13	4010616	2	Screw M6 x 40	
14	4811900	4	Washer M8	
15	4812000	AR	Washer M10	
16	1001212863	1	Rail Kit - With Handle and Chain Gate (See RAIL KIT - WITH INSIDE EXTENSION RAILS, HANDLE AND CHAIN GATE for Breakdown)	
17	4812000	8	Washer M10	
17	4812002	8	Washer M10	
18	0701019	4	Bolt M10 x 55	
18	0701021	4	Bolt M10 x 65	

SECTION 4 - PLATFORM

FIGURE 4-12. RAIL KIT - WITH INSIDE EXTENSION RAILS AND CHAIN GATE



ART_1001188882

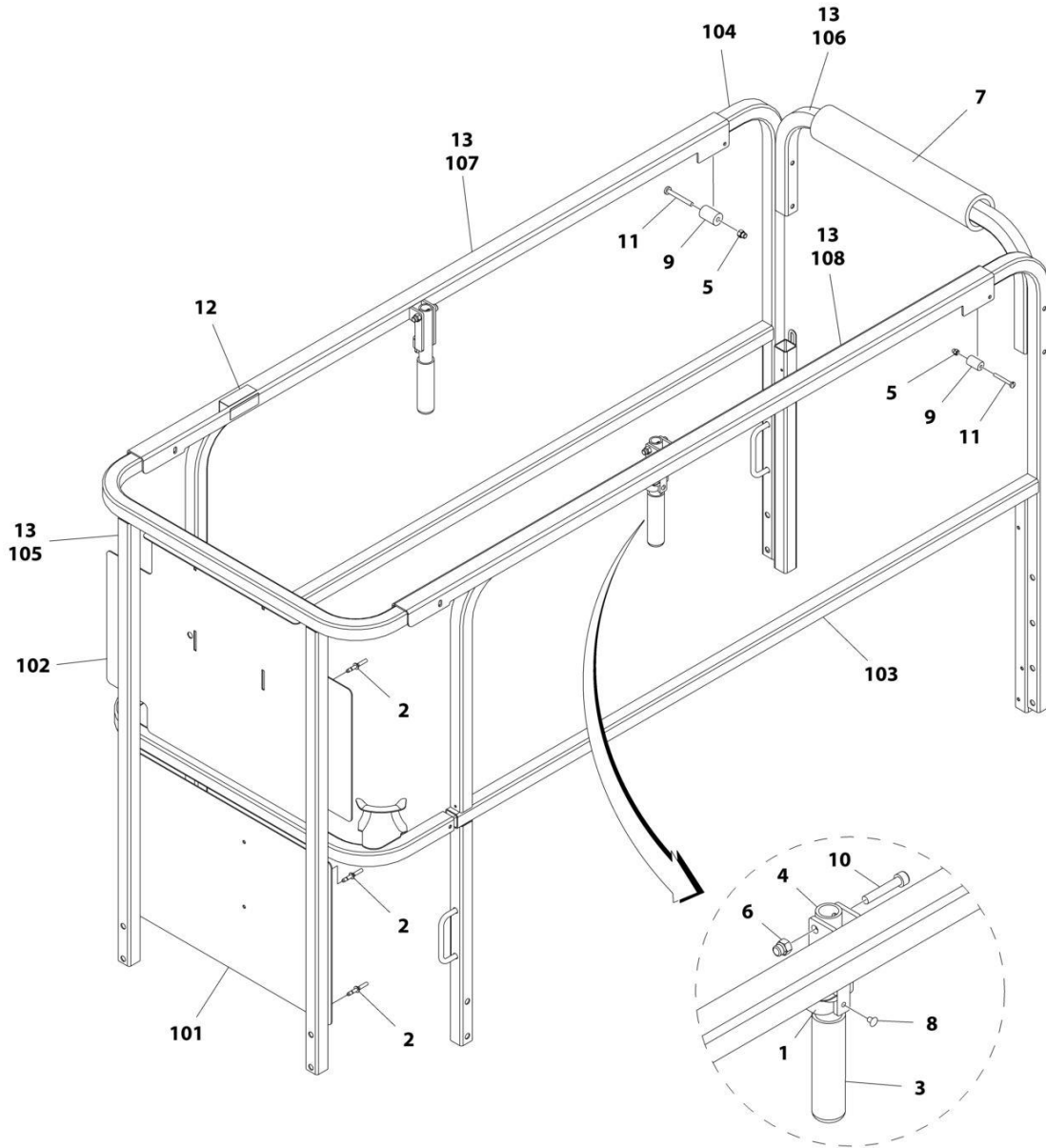
SECTION 4 - PLATFORM

FIGURE 4-12. RAIL KIT - WITH INSIDE EXTENSION RAILS AND CHAIN GATE

ITEM	PART NUMBER	QTY	DESCRIPTION	REV
	1001188882	Ref	RAIL KIT - WITH INSIDE EXTENSION RAILS AND CHAIN GATE	F
1	2080040	8	Fastener	
2	3290606	2	Nut M6	
3	3340612	18 in/ 46cm	Pad, Cover	
4	3574184	1	Plate, Lower Billboard (SN 0200239382 to Present, SN 120025021 through 1200030105, SN B200020297 through B200051292, SN M200000100 through M200019914)	
4	1001232637	1	Plate, Lower Billboard (SN 1200030106 to Present, SN M200051293 to Present, SN M200019915 through M200040097)	
5	3576645	1	Plate, Upper Billboard	
6	3641604	1	Rail, Left Side	
7	3641605	1	Rail, Right Side	
8	3641606	1	Rail, Extension	
9	3860111	2	Roller	
10	4010618	2	Screw M6 x 50	
11	1001189762	AR	Tape	
12	4569305	1	Tube, Drywall Gate	
13	1001182096	2	Channel, Top Rail Slide	
14	1001182099	1	Rail Kit - 1930ES Chain Gate (Includes Items 4-8 & 12-13) (Not Shown)	

SECTION 4 - PLATFORM

FIGURE 4-13. RAIL KIT - WITH INSIDE EXTENSION RAILS, HANDLE AND CHAIN GATE



ART_1001212863

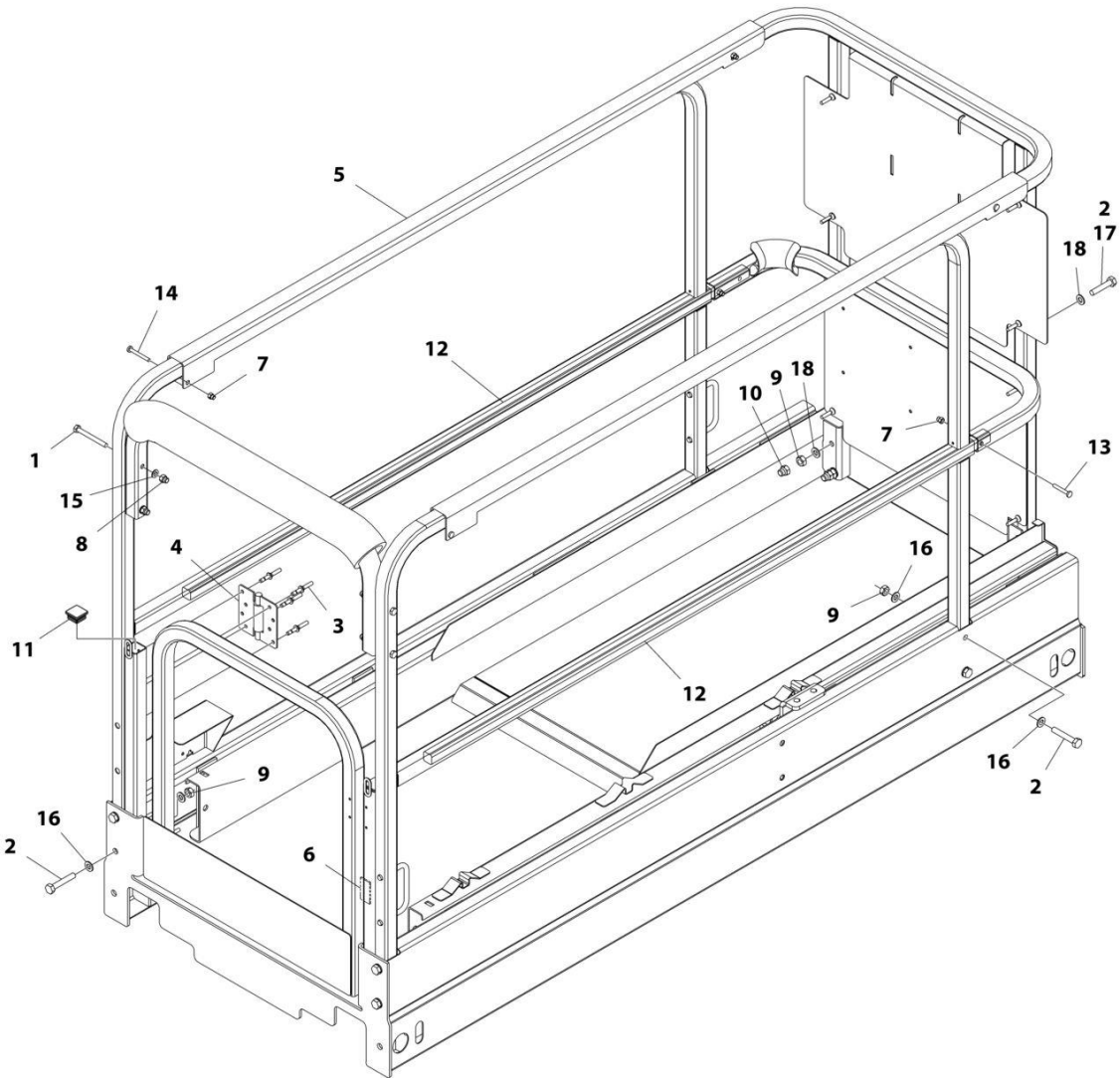
SECTION 4 - PLATFORM

FIGURE 4-13. RAIL KIT - WITH INSIDE EXTENSION RAILS, HANDLE AND CHAIN GATE

ITEM	PART NUMBER	QTY	DESCRIPTION	REV
	1001212863	Ref	RAIL KIT - WITH INSIDE EXTENSION RAILS, HANDLE AND CHAIN GATE	C
1	1380132	2	Clip, Gripper	
2	2080040	8	Fastener, Huck	
3	2560088	2	Handle	
4	2560190	2	Handle, Platform	
5	3290606	2	Nut M6	
6	3290806	2	Nut M8	
7	3340612	18 in /45cm	Pad, Cover	
8	3820019	2	Rivet	
9	3860111	2	Roller	
10	3900345	2	Screw	
11	4010618	2	Screw M6 x 50	
12	1001189762	AR	Tape	
13	1001212860	1	Rail Kit (See 101-108 for Breakdown)	
	1001212860	Ref	RAIL KIT	D
101	3574184	1	Plate, Lower Billboard (SN 0200239382 to Present, SN 120025021 through 1200030105, SN B200020297 through B200051292, SN M200000100 through M200019914)	
101	1001232637	1	Plate, Lower Billboard (SN 1200030106 through B200051293, SN M200019915 through M200040097)	
102	3576645	1	Plate, Upper Billboard	
103	3641604	1	Rail, Left Side (SN B200020297 through B200052394, SN M200000100 through M200027027)	
103	1001241857	1	Rail, Left Side (SN B200052395 to Present, SN M200027028 through M200040097)	
104	3641605	1	Rail, Right Side (SN B200020297 through B200052394, SN M200000100 through M200027027)	
104	1001241858	1	Rail, Right Side (SN B200052395 to Present, SN M200027028 through M200040097)	
105	3641606	1	Rail, Extension Platform	
106	4569305	1	Tube, Drywall Gate	
107	1001212861	1	Rail, Top Left Side	
108	1001212862	1	Rail, Top Right Side	

SECTION 4 - PLATFORM

FIGURE 4-14. RAILS INSTALLATION - WITH INSIDE EXTENSION RAILS AND SELF CLOSING GATE



ART_1001176737

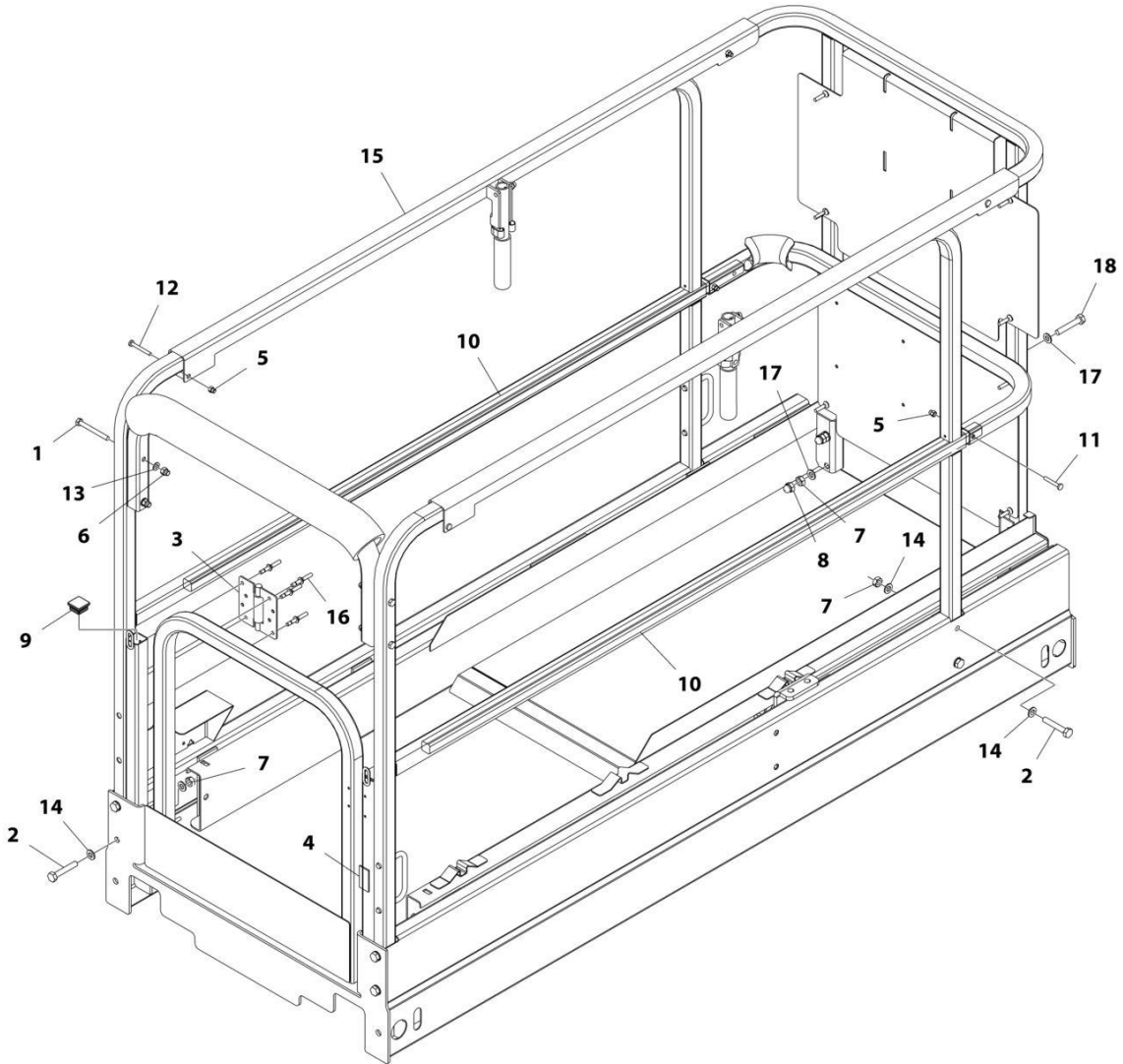
SECTION 4 - PLATFORM

FIGURE 4-14. RAILS INSTALLATION - WITH INSIDE EXTENSION RAILS AND SELF CLOSING GATE

ITEM	PART NUMBER	QTY	DESCRIPTION	REV
	1001176737	Ref	RAILS INSTALLATION - WITH INSIDE EXTENSION RAILS AND SELF CLOSING GATE	F
1	0700823	4	Bolt M8 x 75	
2	0701019	AR	Bolt M10 x 55	
3	2080040	8	Fastener, Huck	
4	2600281	2	Hinge	
5	1001182100	1	Rail Kit - Self Closing Gate (See Separate Breakdown in this Section)	
6	3080007	1	Magnet	
7	3290606	4	Nut M6	
8	3290806	4	Nut M8	
9	3291001	AR	Nut M10	
10	3300477	4	Nut	
10	3291006	4	Nut M10	
11	3520072	2	Cap	
12	3841716	2	Rod	
13	4010616	2	Screw M6 x 40	
14	4010618	2	Screw M6 x 50	
15	4811900	4	Washer M8	
16	4812000	AR	Washer M10	
17	0701019	4	Bolt M10 x 55	
17	0701018	4	Bolt M10 x 50	
18	4812000	8	Washer M10	
18	4812002	8	Washer M10	

SECTION 4 - PLATFORM

FIGURE 4-15. RAILS INSTALLATION - WITH INSIDE EXTENSION RAILS, HANDLE AND SELF CLOSING GATE



ART_1001212700

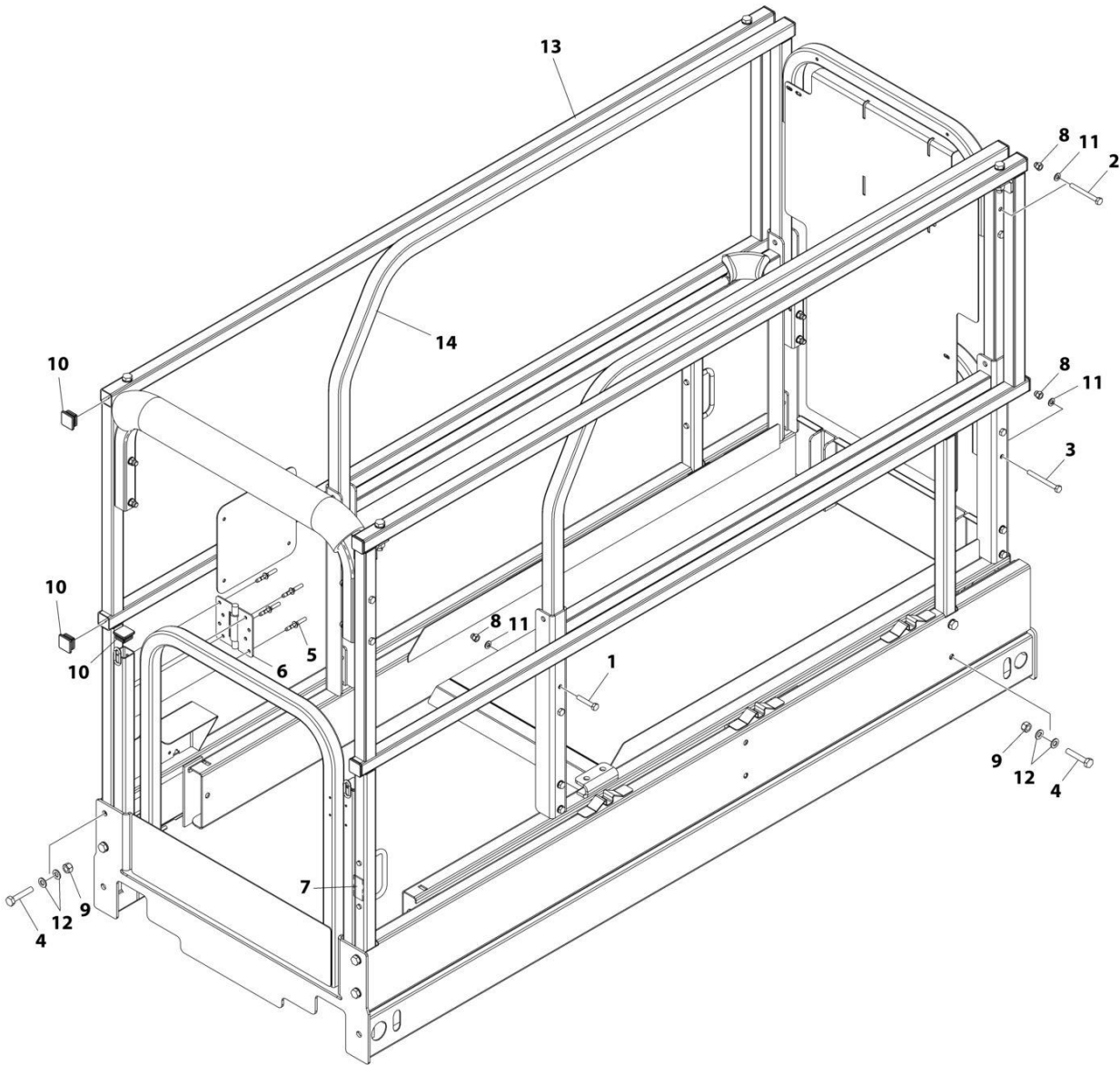
SECTION 4 - PLATFORM

FIGURE 4-15. RAILS INSTALLATION - WITH INSIDE EXTENSION RAILS, HANDLE AND SELF CLOSING GATE

ITEM	PART NUMBER	QTY	DESCRIPTION	REV
	1001212700	Ref	RAILS INSTALLATION - WITH INSIDE EXTENSION RAILS, HANDLE AND SELF CLOSING GATE	B
1	0700823	4	Bolt M8 x 75	
2	0701019	AR	Bolt M10 x 55	
3	2600281	2	Hinge	
4	3080007	1	Magnet	
5	3290606	4	Nut M6	
6	3290806	4	Nut M8	
7	3291001	12	Nut M10	
8	3300477	4	Nut	
9	3520072	2	Cap	
10	3841716	2	Rod	
11	4010616	2	Screw M6 x 40	
12	4010618	2	Screw M6 x 50	
13	4811900	4	Washer M8	
14	4812000	AR	Washer M10	
15	1001212859	1	Rail Kit - With Inside Extension rails, Handle and Self Closing Gate (See Separate Breakdown in this Section)	
16	2080040	8	Fastener, Huck	
17	4812000	8	Washer M10	
17	4812002	8	Washer M10	
18	0701019	2	Bolt M10 x 55	
18	0701021	4	Bolt M10 x 65	

SECTION 4 - PLATFORM

FIGURE 4-16. RAILS INSTALLATION - WITH OUTSIDE EXTENSION RAILS AND SELF CLOSING GATE



ART_1001217111

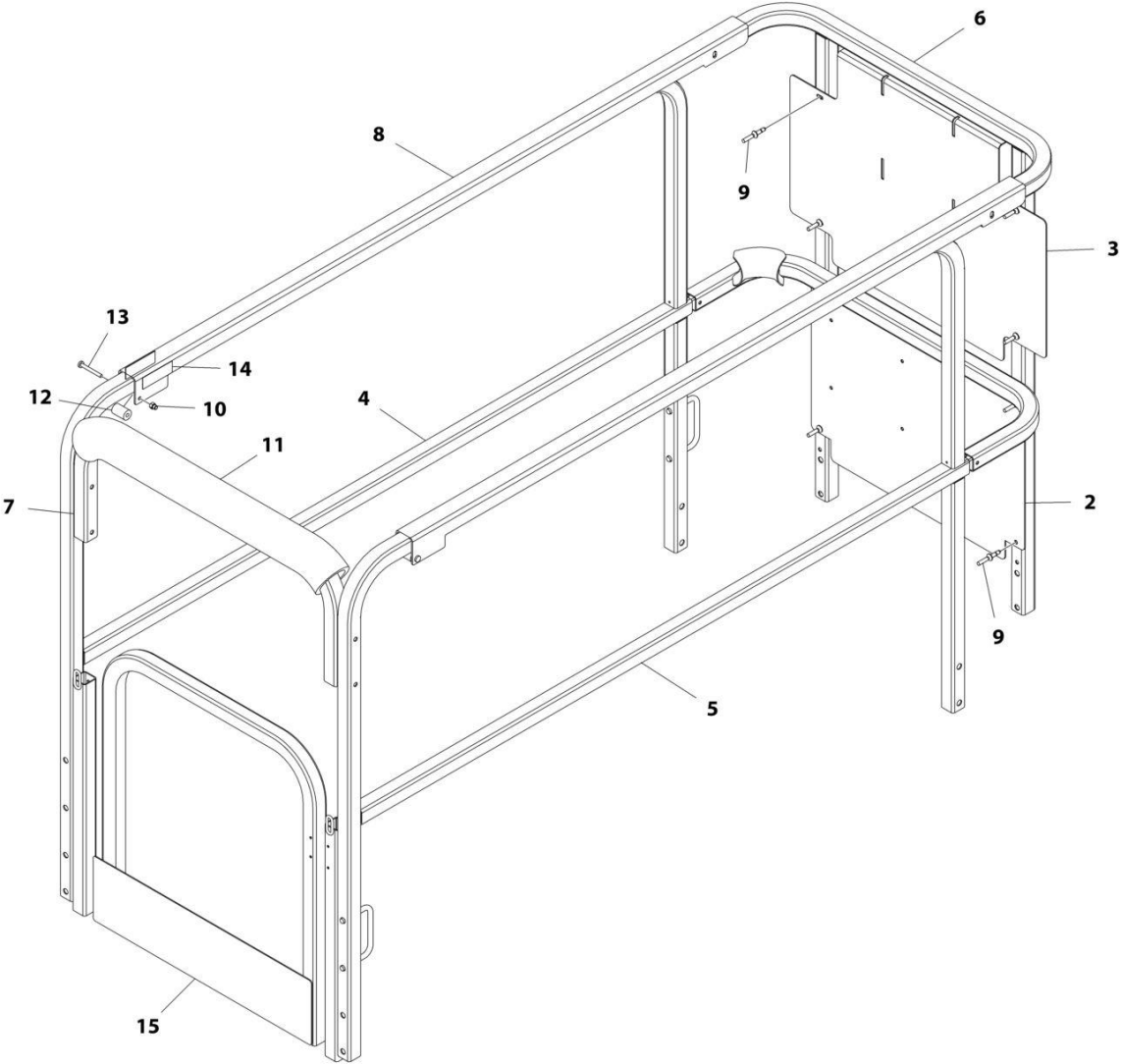
SECTION 4 - PLATFORM

FIGURE 4-16. RAILS INSTALLATION - WITH OUTSIDE EXTENSION RAILS AND SELF CLOSING GATE

ITEM	PART NUMBER	QTY	DESCRIPTION	REV
	1001217111	Ref	RAILS INSTALLATION - WITH OUTSIDE EXTENSION RAILS AND SELF CLOSING GATE	A
1	0700817	4	Bolt M8 x 45	
2	0700823	4	Bolt M8 x 75	
3	0700824	4	Bolt M8 x 80	
4	0701019	8	Bolt M10 x 55	
5	2080040	8	Fastener, Huck	
6	2600281	2	Hinge	
7	3080007	1	Magnet	
8	3290806	12	Nut M8	
9	3291005	8	Nut M10	
10	3520072	12	Cap	
11	4811900	12	Washer M8	
12	4812000	16	Washer M10	
13	1001217748	1	Rail Kit - With Outside Extension Rails and Self Closing Gate (See RAIL KIT - WITH OUTSIDE EXTENSION RAILS AND SELF CLOSING GATE for Breakdown)	
14	1001217749	2	Rail	

SECTION 4 - PLATFORM

FIGURE 4-17. RAIL KIT - WITH INSIDE EXTENSION RAILS AND SELF CLOSING GATE



ART_1001182100

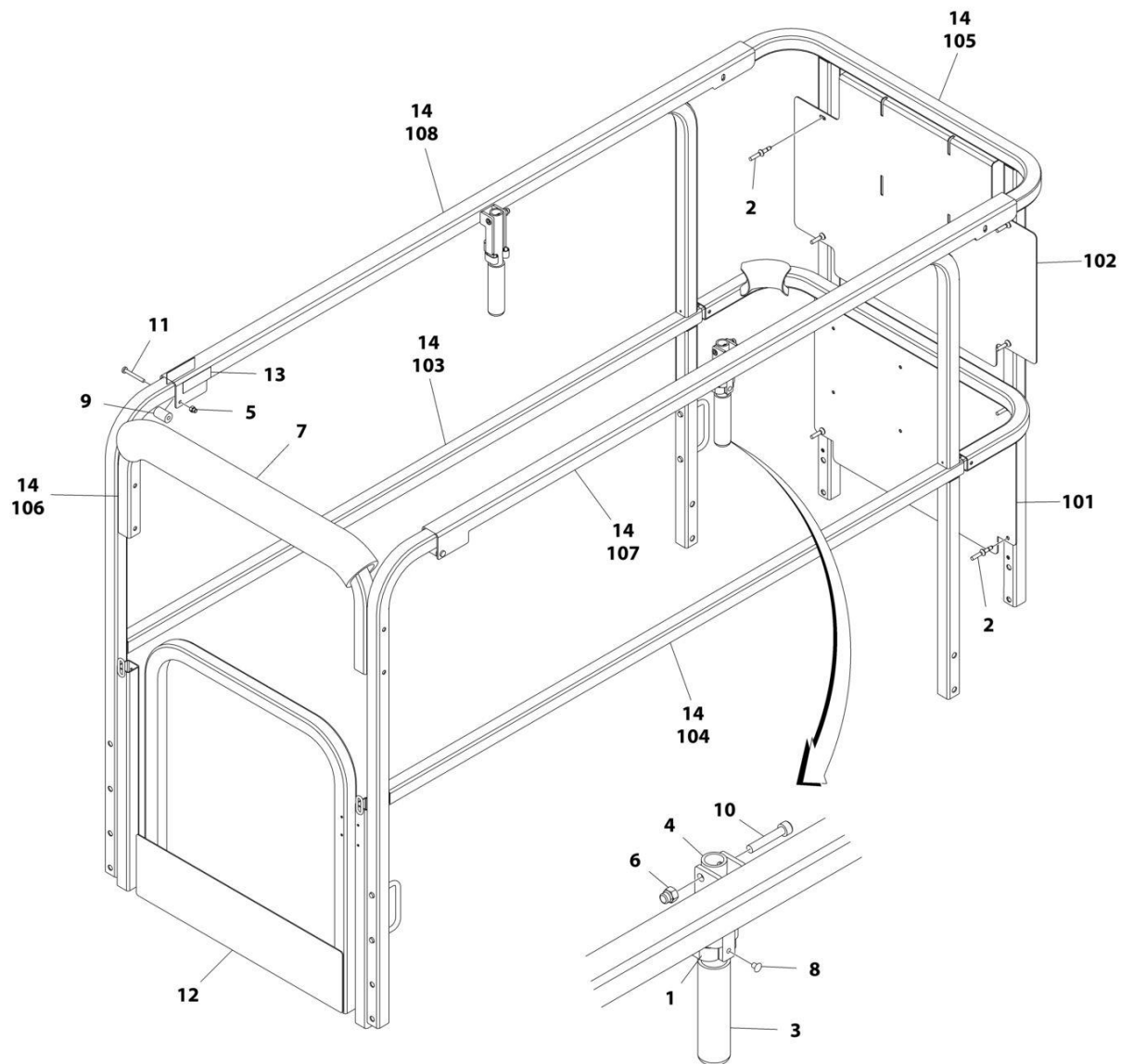
SECTION 4 - PLATFORM

FIGURE 4-17. RAIL KIT - WITH INSIDE EXTENSION RAILS AND SELF CLOSING GATE

ITEM	PART NUMBER	QTY	DESCRIPTION	REV
	1001182100	Ref	RAIL KIT - WITH INSIDE EXTENSION RAILS AND SELF CLOSING GATE	G
2	3574184	1	Plate, Lower Billboard (SN 0200239382 to Present, SN 120025021 through 1200030105, SN B200020297 through B200051292, SN M200000100 through M200019914)	
2	1001232637	1	Plate, Lower Billboard (SN 1200030106 to Present, SN B200051293 to Present, SN M200019915 through M200040097)	
3	3576645	1	Plate, Upper Billboard	
4	3641604	1	Rail, Left Side	
5	3641605	1	Rail, Right Side	
6	3641606	1	Rail, Extension Platform	
7	4569305	1	Tube, Drywall Gate	
8	1001182096	1	Channel, Top Rail Slide	
9	2080040	8	Fastener, Huck	
10	3290606	2	Nut M6	
11	3340612	1	Pad	
12	3860111	2	Roller	
13	4010618	2	Screw M6 x 50	
14	1001189762	AR	Tape	
15	4846723	1	Weldment, Gate	
16	1001182099	1	Rail Kit (Includes Items 2-8) (Not Shown)	

SECTION 4 - PLATFORM

FIGURE 4-18. RAIL KIT - WITH INSIDE EXTENSION RAILS, HANDLE AND SELF CLOSING GATE



ART_1001212859

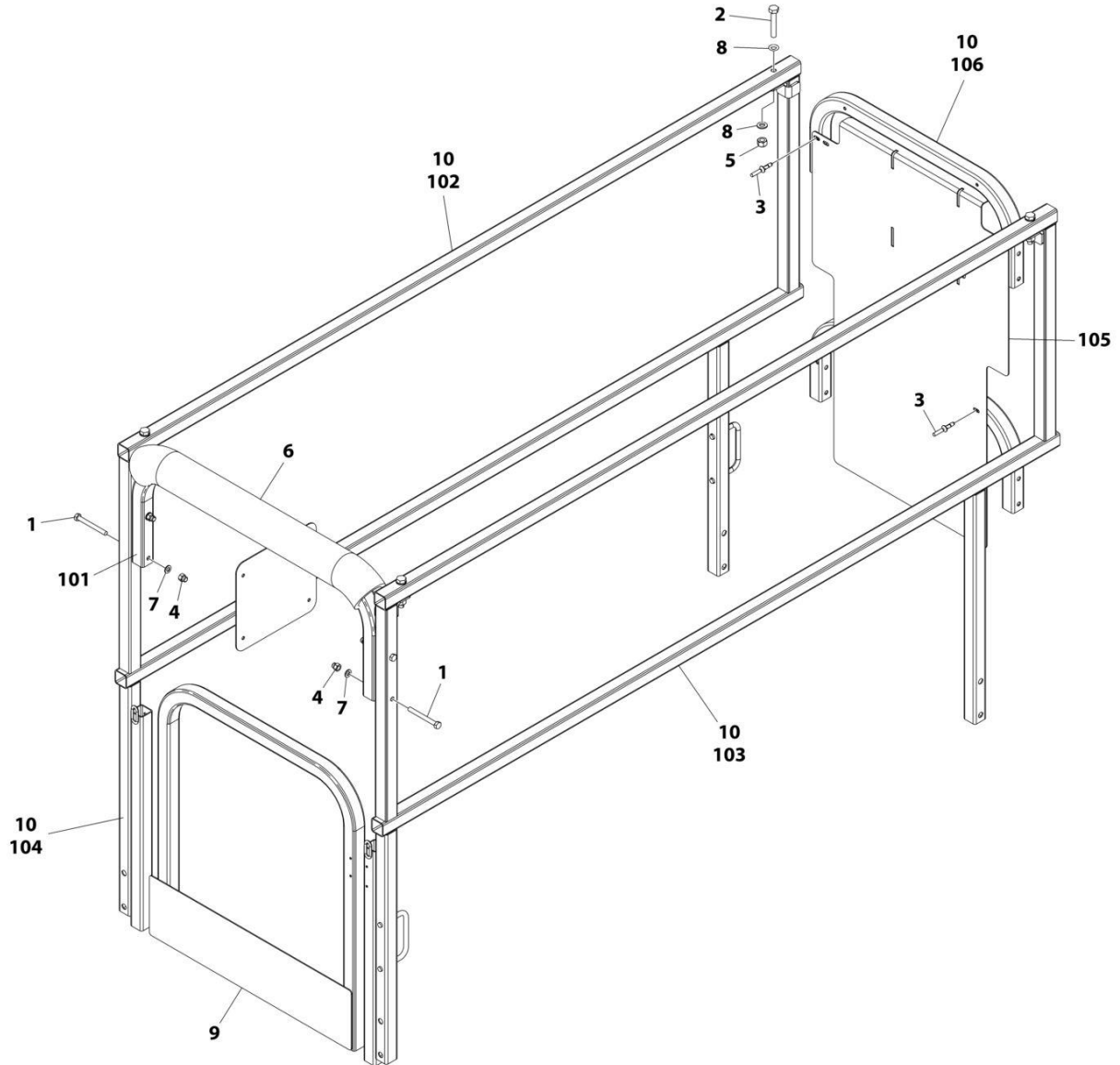
SECTION 4 - PLATFORM

FIGURE 4-18. RAIL KIT - WITH INSIDE EXTENSION RAILS, HANDLE AND SELF CLOSING GATE

ITEM	PART NUMBER	QTY	DESCRIPTION	REV
	1001212859	Ref	RAIL KIT - WITH INSIDE EXTENSION RAILS, HANDLE AND SELF CLOSING GATE	C
1	1380132	2	Clip, Gripper	
2	2080040	8	Fastener, Huck	
3	2560088	2	Handle	
4	2560190	2	Handle, Platform	
5	3290606	2	Nut M6	
6	3290806	2	Nut M8	
7	3340612	18 in /45cm	Pad, Cover	
8	3820019	2	Rivet	
9	3860111	2	Roller	
10	3900345	2	Screw	
11	4010618	2	Screw M6 x 50	
12	4846723	1	Gate	
13	1001189762	AR	Tape	
14	1001212860	1	Rail Kit (See 101-108 for Breakdown)	
	1001212860	Ref	RAIL KIT	D
101	3574184	1	Plate, Lower Billboard (SN 0200239382 to Present, SN 120025021 through 1200030105, SN B200020297 through B200051292, SN M200000100 through M200019914)	
101	1001232637	1	Plate, Lower Billboard (SN 1200030106 to Present, SN B200051293 to Present, SN M200019915 through M200040097)	
102	3576645	1	Plate, Upper Billboard	
103	3641604	1	Rail, Left Side (SN B200020297 through B200052394, SN M200000100 through M200027027)	
103	1001241857	1	Rail, Left Side (SN B200052395 to Present, SN M200027028 through M200040097)	
104	3641605	1	Rail, Right Side (SN B200020297 through B200052394, SN M200000100 through M200027027)	
104	1001241858	1	Rail, Right Side (SN B200052395 to Present, SN M200027028 through M200040097)	
105	3641606	1	Rail, Extension Platform	
106	4569305	1	Tube, Drywall Gate	
107	1001212861	1	Rail, Top Left Side	
108	1001212862	1	Rail, Top Right Side	

SECTION 4 - PLATFORM

FIGURE 4-19. RAIL KIT - WITH OUTSIDE EXTENSION RAILS AND SELF CLOSING GATE



ART_1001217748

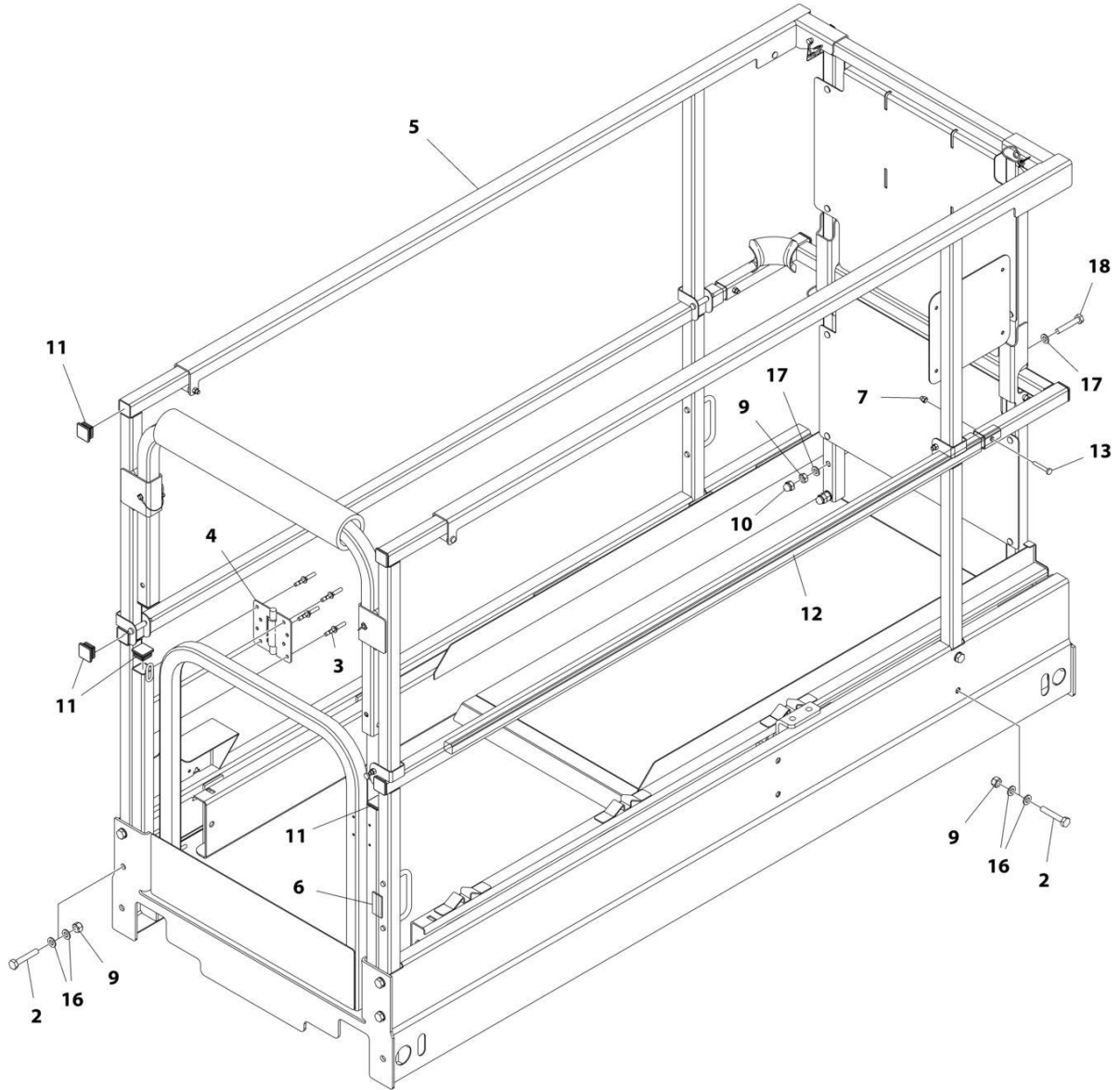
SECTION 4 - PLATFORM

FIGURE 4-19. RAIL KIT - WITH OUTSIDE EXTENSION RAILS AND SELF CLOSING GATE

ITEM	PART NUMBER	QTY	DESCRIPTION	REV
	1001217748	Ref	RAIL KIT - WITH OUTSIDE EXTENSION RAILS AND SELF CLOSING GATE	B
1	0700823	4	Bolt M8 x 75	
2	0701020	4	Bolt M10 x 60	
3	2080040	4	Fastener, Huck	
4	3290806	4	Nut M8	
5	3291005	4	Nut M10	
6	3340612	1	Pad, Cover	
7	4811900	4	Washer M8	
8	4812000	8	Washer M10	
9	4846723	1	Gate	
10	1001217113	1	Rail Kit (See 101-108 for Breakdown)	
	1001217113	Ref	RAIL KIT	A
101	4569305	1	Tube, Drywall Gate	
102	1001215237	2	Rail, Mid	
103	1001217114	1	Rail, Right Side	
104	1001217115	1	Rail, Left Side	
105	1001217118	1	Plate, Lower Billboard	
106	1001217119	2	Tube	

SECTION 4 - PLATFORM

FIGURE 4-20. RAILS INSTALLATION - WITH INSIDE EXTENSION RAILS AND SELF CLOSING GATE



ART_1001176743

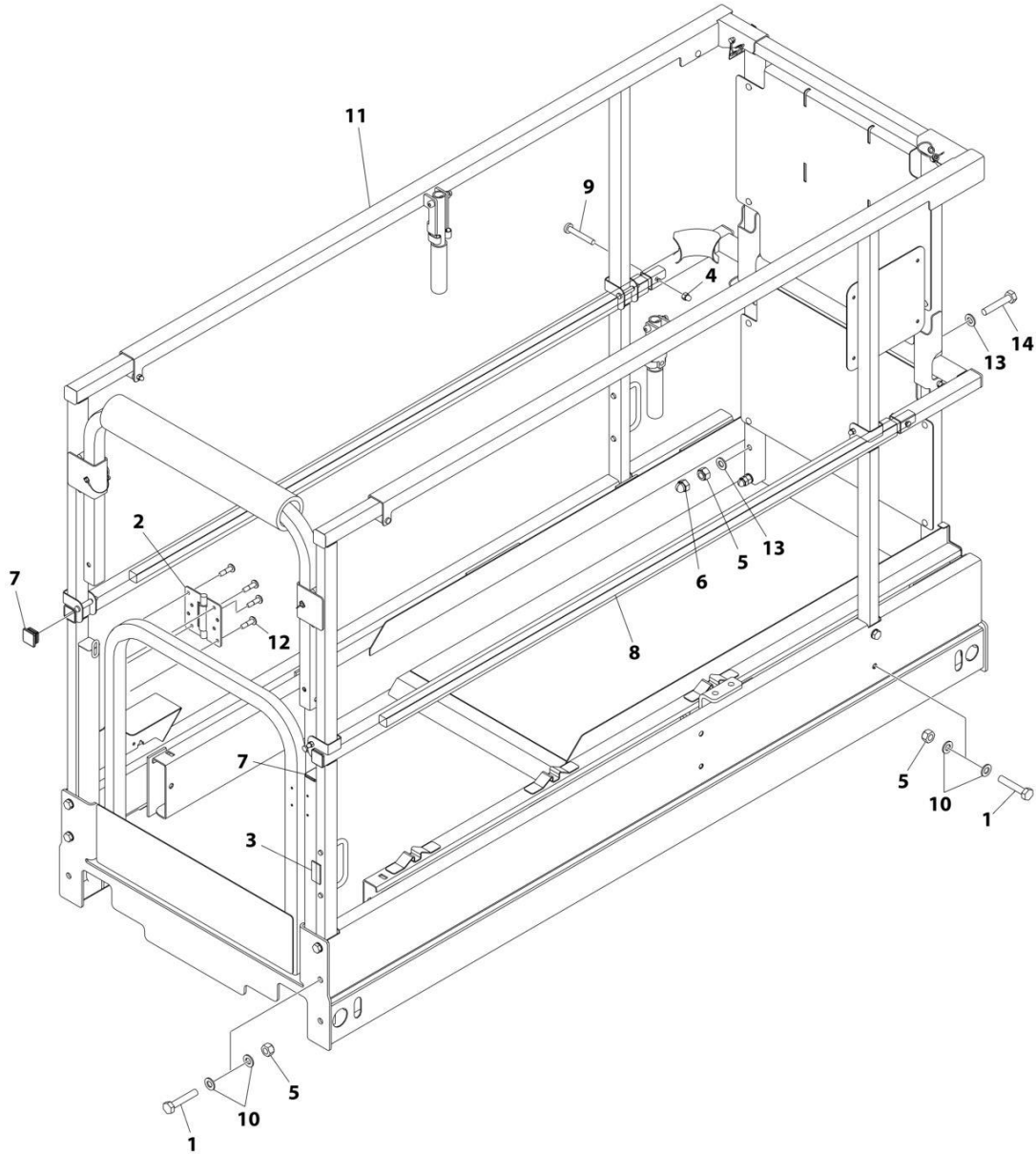
SECTION 4 - PLATFORM

FIGURE 4-20. RAILS INSTALLATION - WITH INSIDE EXTENSION RAILS AND SELF CLOSING GATE

ITEM	PART NUMBER	QTY	DESCRIPTION	REV
	1001176743	Ref	RAILS INSTALLATION - WITH INSIDE EXTENSION RAILS AND SELF CLOSING GATE	E
2	0701019	AR	Bolt M10 x 55	
3	2080040	8	Fastener, Huck	
4	2600281	2	Hinge	
5	1001179382	1	Rail Kit - Self Closing Gate (See Separate Breakdown in this Section)	
6	3080007	1	Magnet	
7	3290606	2	Nut M6	
9	3291005	12	Nut M10	
10	3300477	4	Nut	
11	3520072	8	Cap	
12	3841716	2	Rod	
13	4010616	2	Screw M6 x 40	
16	4812000	AR	Washer M10	
17	4812000	8	Washer M10	
17	4812002	8	Washer M10	
18	0701019	4	Bolt M10 x 55	
18	0701021	4	Bolt M10 x 65	

SECTION 4 - PLATFORM

FIGURE 4-21. RAILS INSTALLATION - WITH INSIDE EXTENSION RAILS, HANDLE AND SELF CLOSING GATE



ART_1001212853

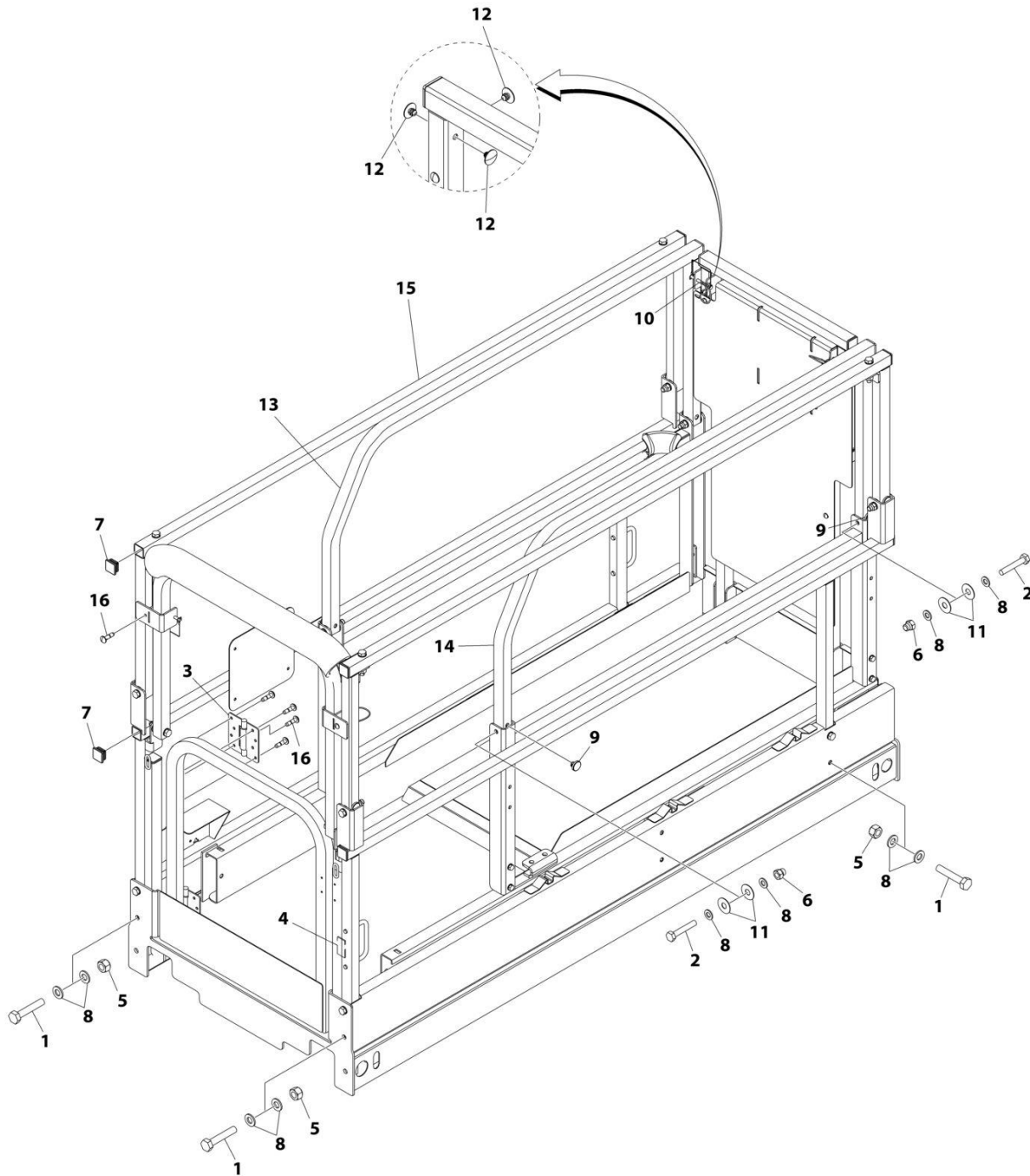
SECTION 4 - PLATFORM

FIGURE 4-21. RAILS INSTALLATION - WITH INSIDE EXTENSION RAILS, HANDLE AND SELF CLOSING GATE

ITEM	PART NUMBER	QTY	DESCRIPTION	REV
	1001212853	Ref	RAILS INSTALLATION - WITH INSIDE EXTENSION RAILS, HANDLE AND SELF CLOSING GATE	B
1	0701019	AR	Screw M10 x 55	
2	2600281	2	Hinge	
3	3080007	1	Magnet	
4	3290606	2	Nut M6	
5	3291005	12	Nut M10	
6	3300477	4	Nut	
7	3520072	8	Cap	
8	3841716	2	Rod	
9	4010616	2	Screw M6 x 40	
10	4812000	AR	Washer M10	
11	1001212864	1	Rail Kit - With Inside Extension Rails, Handle and Self Closing Gate (See Separate Breakdown in this Section)	
12	2080040	8	Fastener, Huck	
13	4812000	8	Washer M10	
13	4812002	8	Washer M10	
14	0701019	4	Bolt M10 x 55	
14	0701021	4	Bolt M10 x 65	

SECTION 4 - PLATFORM

FIGURE 4-22. RAILS INSTALLATION - WITH OUTSIDE EXTENSION RAILS AND SELF CLOSING GATE



ART_1001215230

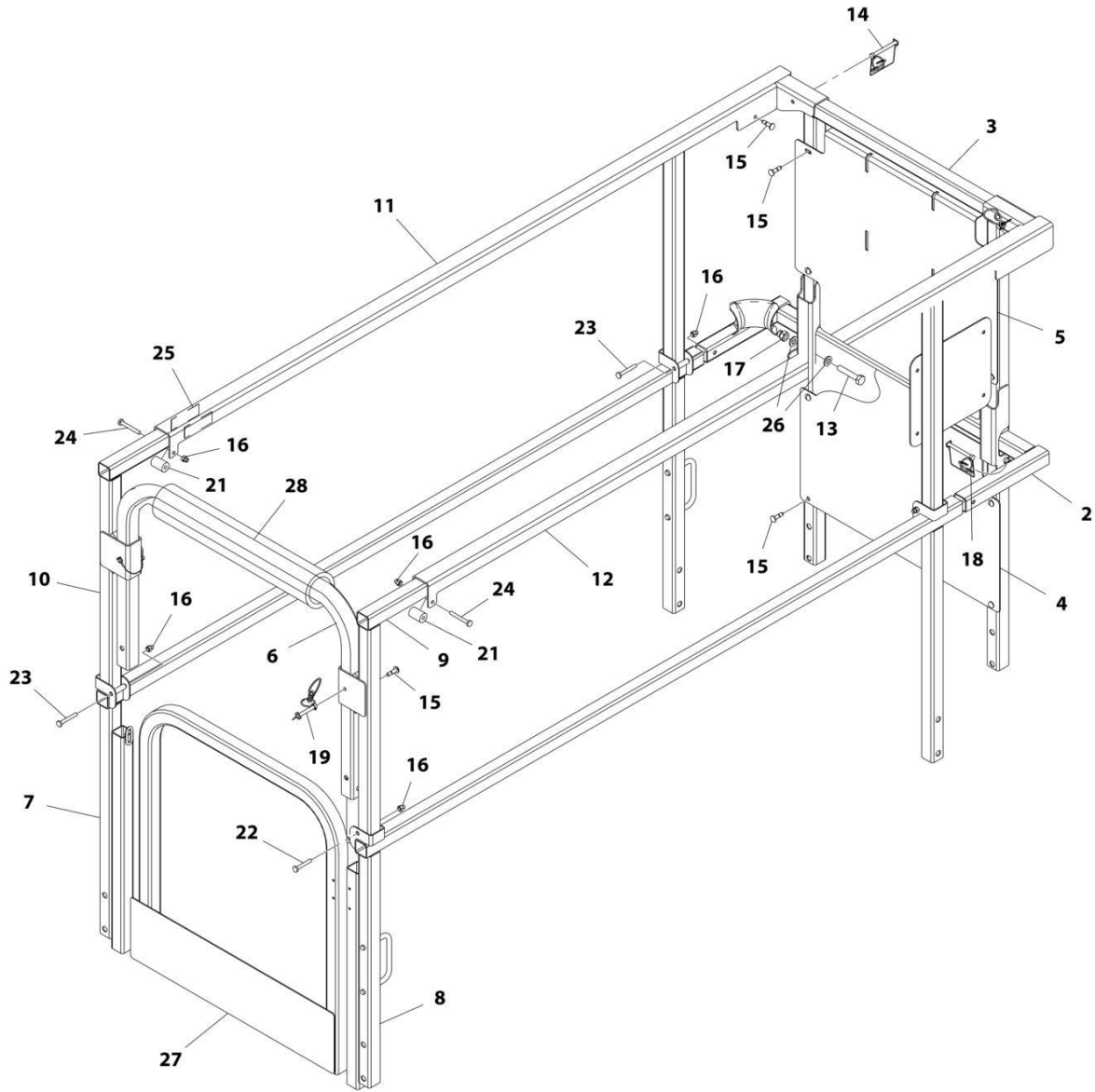
SECTION 4 - PLATFORM

FIGURE 4-22. RAILS INSTALLATION - WITH OUTSIDE EXTENSION RAILS AND SELF CLOSING GATE

ITEM	PART NUMBER	QTY	DESCRIPTION	REV
	1001215230	Ref	RAILS INSTALLATION - WITH OUTSIDE EXTENSION RAILS AND SELF CLOSING GATE	A
1	0701019	8	Screw M10 x 55	
2	0701020	4	Bolt M10 x 60	
3	2600281	2	Hinge	
4	3080007	1	Magnet	
5	3291005	8	Nut M10	
6	3291006	4	Nut M10	
7	3520072	16	Cap	
8	4812000	26	Washer M10	
9	1001137675	4	Bumper	
10	1001187587	2	Pin	
11	1001211895	8	Plate, Washer	
12	1001211896	6	Bumper	
13	1001217739	1	Rail, Left	
14	1001217740	1	Rail, Right	
15	1001217741	1	Rail Kit - With Outside Extension Rails and Self Closing Gate (See Separate Breakdown in this Section)	
16	2080040	10	Fastener, Huck	

SECTION 4 - PLATFORM

FIGURE 4-23. RAIL KIT - WITH INSIDE EXTENSION RAILS AND SELF CLOSING GATE



ART_1001179382

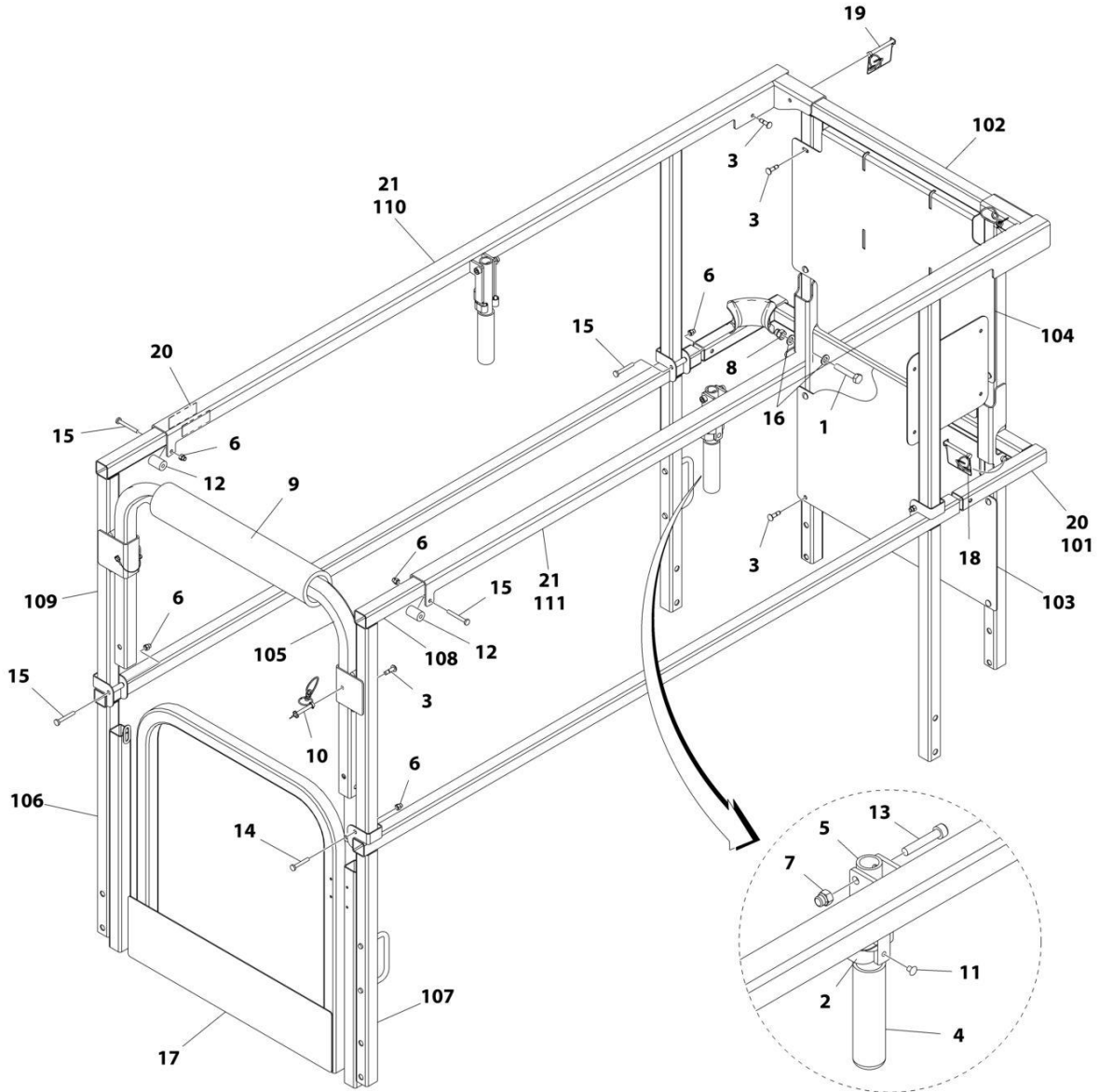
SECTION 4 - PLATFORM

FIGURE 4-23. RAIL KIT - WITH INSIDE EXTENSION RAILS AND SELF CLOSING GATE

ITEM	PART NUMBER	QTY	DESCRIPTION	REV
	1001179382	Ref	RAIL KIT - WITH INSIDE EXTENSION RAILS AND SELF CLOSING GATE	H
2	1001179277	1	Rail, Mid Bottom	
3	1001179287	1	Rail, Mid Top	
4	1001179298	1	Plate, Lower Billboard	
5	1001179299	1	Plate, Upper Billboard	
6	1001179332	1	Tube, Drywall Gate	
7	1001179384	1	Rail, Left Bottom	
8	1001179386	1	Rail, Right Bottom	
9	1001179387	1	Rail, Right Top	
10	1001179389	1	Rail, Left Top	
11	1001179390	1	Rail, Top Left Side	
12	1001179393	1	Rail, Top Right Side	
13	0701019	2	Screw M10 x 55	
14	1001187587	2	Lanyard	
15	2080040	12	Fastener, Huck	
16	3290606	7	Nut M6	
17	3291006	2	Nut M10	
18	1001187585	2	Pin	
19	3423278	2	Pin	
21	3860111	2	Roller	
22	4010616	1	Screw M6 x 40	
23	4010617	4	Screw M6 x 45	
23	4010618	4	Screw M6 x 50	
24	4010618	2	Screw M6 x 50	
25	1001189762	AR	Tape	
26	4812000	4	Washer	
27	4846723	1	Weldment, Gate	
28	3340612	18 in /45cm	Pad, Cover	
29	1001179383	1	Rail Kit (Includes Items 2-12) (Not Shown)	

SECTION 4 - PLATFORM

FIGURE 4-24. RAIL KIT - WITH INSIDE EXTENSION RAILS, HANDLE AND SELF CLOSING GATE



ART_1001212864

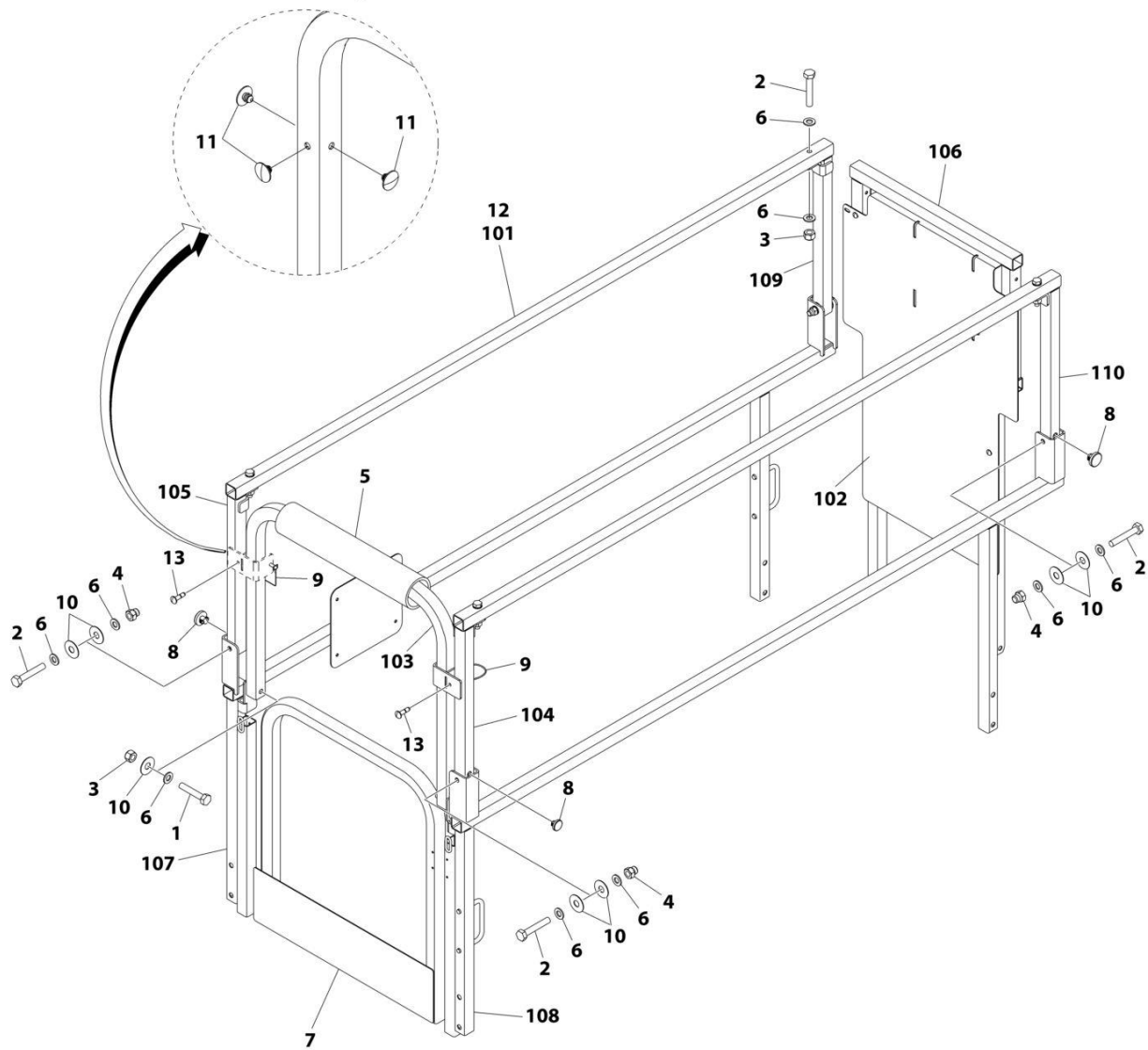
SECTION 4 - PLATFORM

FIGURE 4-24. RAIL KIT - WITH INSIDE EXTENSION RAILS, HANDLE AND SELF CLOSING GATE

ITEM	PART NUMBER	QTY	DESCRIPTION	REV
	1001212864	Ref	RAIL KIT - WITH INSIDE EXTENSION RAILS, HANDLE AND SELF CLOSING GATE	A
1	0701019	2	Screw M10 x 55	
2	1380132	2	Clip, Gripper	
3	2080040	12	Fastener, Huck	
4	2560088	2	Handle	
5	2560190	2	Handle, Platform	
6	3290606	7	Nut M6	
7	3290806	2	Nut M8	
8	3291006	2	Nut M10	
9	3340612	18 in /45cm	Pad, Cover	
10	3423278	2	Pin	
11	3820019	2	Rivet	
12	3860111	2	Roller	
13	3900345	2	Screw	
14	4010616	1	Screw M6 x 40	
15	4010618	6	Screw M6 x 50	
16	4812000	4	Washer	
17	4846723	1	Gate	
18	1001187585	2	Pin	
19	1001187587	2	Pin	
20	1001189762	AR	Tape	
21	1001212865	1	Rail Kit (See Items 101-111 for Breakdown)	
	1001212865	Ref	RAIL KIT	A
101	1001179277	1	Rail, Mid Bottom	
102	1001179287	1	Rail, Mid Top	
103	1001179298	1	Plate, Lower Billboard	
104	1001179299	1	Plate, Upper Billboard	
105	1001179332	1	Tube, Drywall Gate	
106	1001179384	1	Rail, Left Bottom	
107	1001179386	1	Rail, Right Bottom	
108	1001179387	1	Rail, Right Top	
109	1001179389	1	Rail, Left Top	
110	1001212866	1	Rail, Top Left Side	
111	1001212867	1	Rail, Top Right Side	

SECTION 4 - PLATFORM

FIGURE 4-25. RAIL KIT - WITH OUTSIDE EXTENSION RAILS AND SELF CLOSING GATE



ART_1001217741

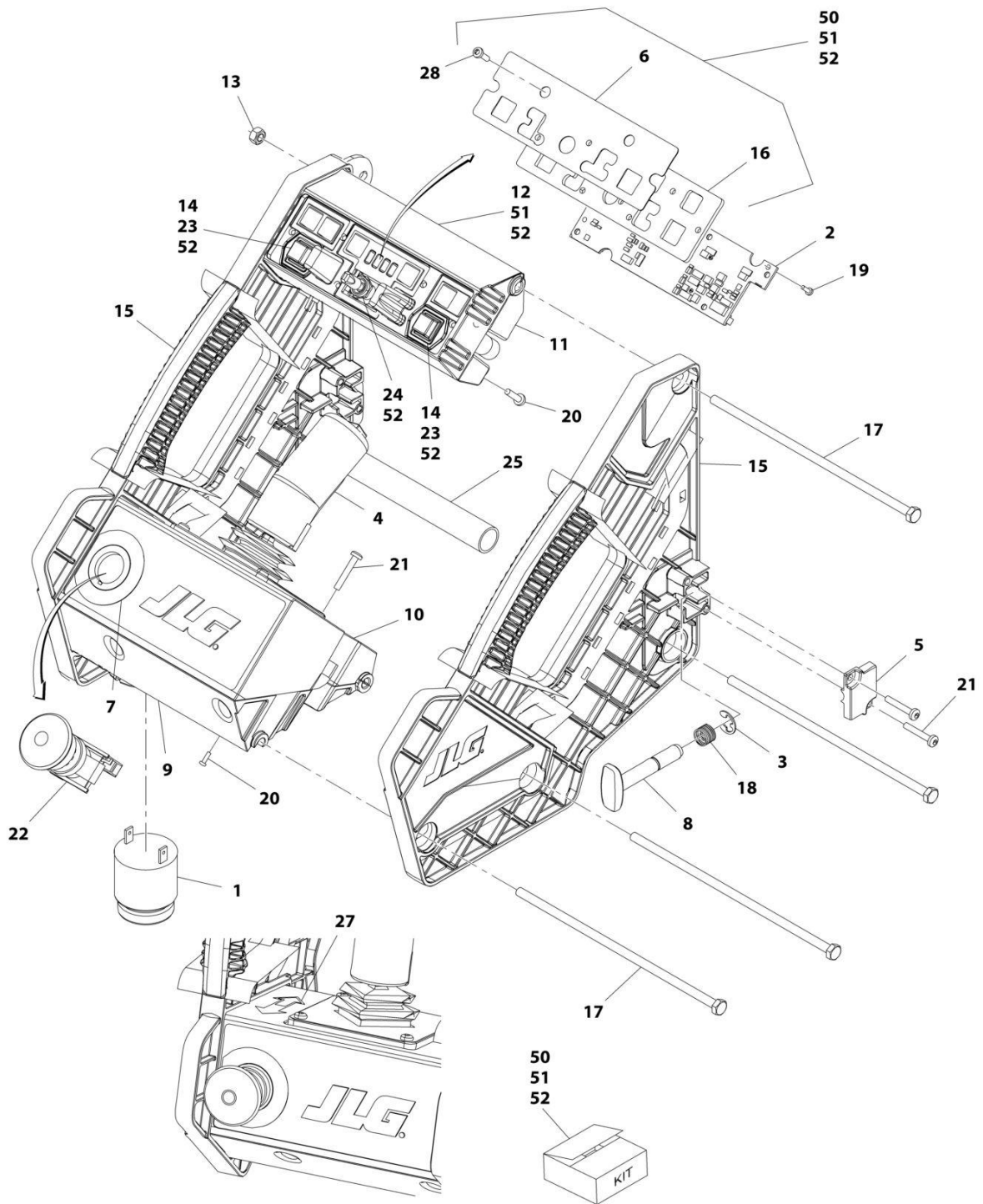
SECTION 4 - PLATFORM

FIGURE 4-25. RAIL KIT - WITH OUTSIDE EXTENSION RAILS AND SELF CLOSING GATE

ITEM	PART NUMBER	QTY	DESCRIPTION	REV
	1001217741	Ref	RAIL KIT - WITH OUTSIDE EXTENSION RAILS AND SELF CLOSING GATE	B
1	0701019	2	Screw M10 x 55	
2	0701020	8	Bolt M10 x 60	
3	3291005	6	Nut M10	
4	3291006	4	Nut M10	
5	3340612	18 in/ 45cm	Pad, Cover	
6	4812000	18	Washer #10	
7	4846723	1	Gate	
8	1001137675	4	Bumper	
9	1001187587	2	Pin	
10	1001211895	10	Plate, Washer	
11	1001211896	6	Bumper	
12	1001217742	1	Rail Kit (See Items 101-110 for Breakdown)	
13	2080040	6	Fastener, Huck	
	1001217742	Ref	RAIL KIT	B
101	1001215237	2	Rail, Mid	
102	1001217118	1	Plate, Billboard	
103	1001217173	1	Tube, Drywall Gate	
104	1001217735	1	Rail, Right Entrance	
105	1001217736	1	Rail, Left Entrance	
106	1001217737	1	Rail, Front	
107	1001217743	1	Rail, Left Bottom	
108	1001217744	1	Rail, Right Bottom	
109	1001217746	1	Rail, Support	
110	1001217747	1	Rail, Support	

SECTION 4 - PLATFORM

FIGURE 4-26. PLATFORM CONSOLE ASSEMBLY



NOTE: SEE USAGE CHART ON PARTS LIST BEFORE ORDERING PARTS.

ART_1001091153

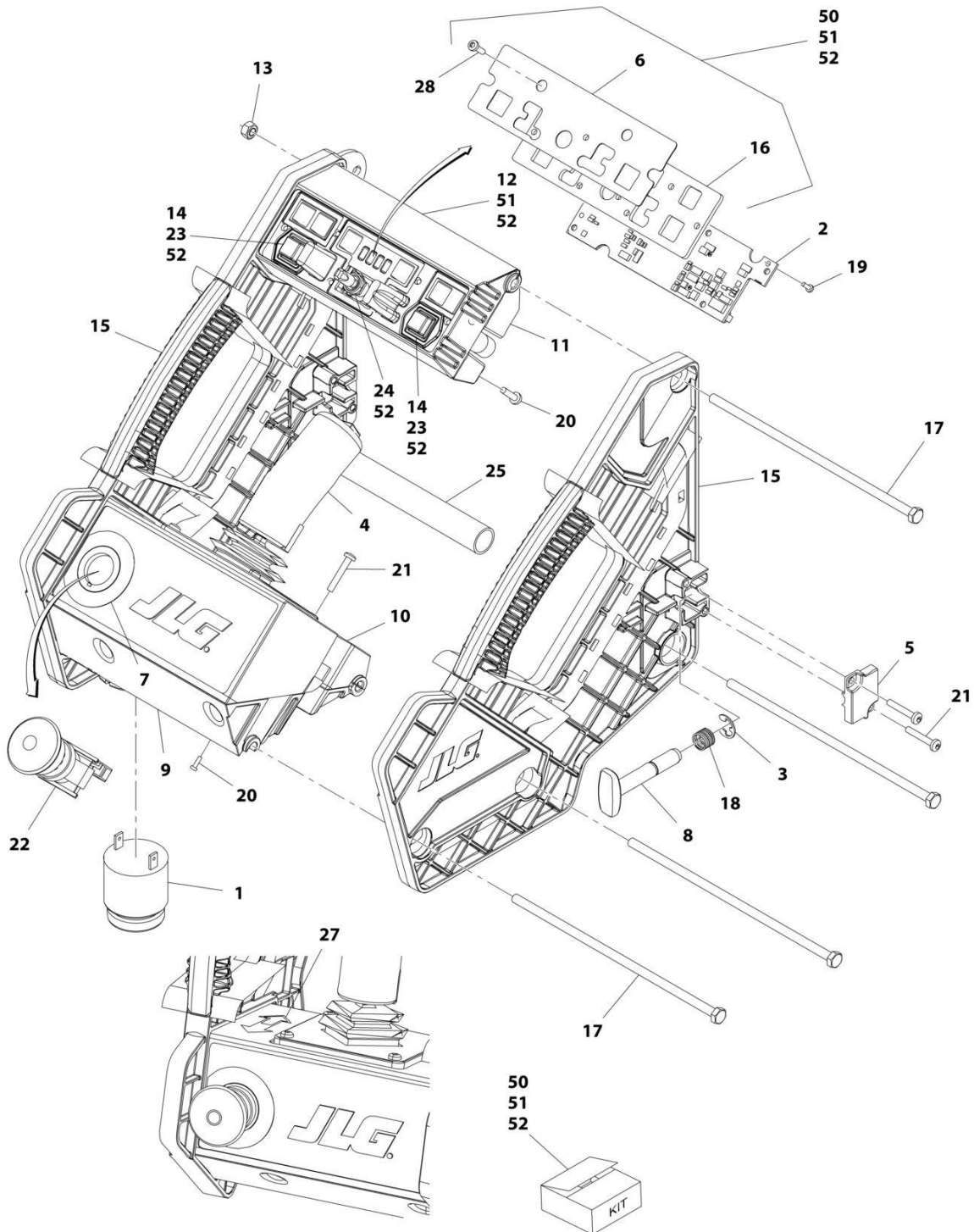
SECTION 4 - PLATFORM

FIGURE 4-26. PLATFORM CONSOLE ASSEMBLY

ITEM	PART NUMBER	QTY	DESCRIPTION	REV
	1001091153	Ref	PLATFORM CONSOLE ASSEMBLY	J
		Ref	Usage Chart	
		Ref	All Specs Except CE and Australian Specs	
		Ref	China Specs (SN B200020297 through B200028908)	
1	0140011	1	Alarm	
2	1600439	1	PC Board	
3	1380156	1	E-Clip	
4	1600402	1	Drive/Steer Controller Assembly (See DRIVE/STEER CONTROLLER ASSEMBLY for Breakdown)	
5	1671098	1	Latch	
6	1001091272	1	Decal - Icon	
7	1705676	1	Decal - Emergency Stop Ring	
8	2560179	1	Handle, Latch	
9	1001091277	1	Housing, Joystick (Lower)	
10	1001091278	1	Mount, Joystick	
11	1001091279	1	Housing, Module Mounting (Lower)	
12	1001091280	1	Housing, Module Mounting (Upper)	
13	3300473	4	Nut M6	
14	3340968	2	Button (Includes Black Button Only)	
15	3380475	2	Panel, Side	
16	1001091283	1	Plate, Decal	
17	3900333	4	Screw M6 x 190	
18	4160203	1	Spring, Compression	
19	4191306	5	Screw M3.5 x 12	
20	4191407	8	Screw M4 x 16	
21	4191409	6	Screw M4 x 25	
22	4360475	1	Switch, Emergency Stop	
22	7020175	1	Cap	
22	7020176	1	Block, Contact	
23	4360538	2	Strip, Switch and Membrane	
24	4360539	1	Switch, Toggle	
25	4568738	1	Tube, Spacer	
26	4922870	1	Harness, Platform Box (Not Shown - See ELECTRICAL SECTION for Breakdown)	
27	1703819	1	Decal - Directional Arrow	
28	1001091396	6	Screw M3.5 x 12	
29	See Note	NSS	Decal - Control Module (Not Shown) (Note: Not Available for Purchase) (SN 1200030106 to Present, SN B200051293 to Present, SN M200023836 through M200040097)	
50	1001091968	1	Decal Kit (Includes Items 6, 16 & 28) (Note: Two Item 6's are included in the kit - 1 for All Specs except CE/Australian Specs and 1 for CE/Australian Specs. Use decal required for applicable spec. Dispose of the decal not used)	A
51	1001091393	1	Decal and Housing Kit (Includes Items 6, 12, 16 & 28) (Note: Two Item 6's are included in the kit - 1 for All Specs except CE/Australian Specs and 1 for CE/Australian Specs. Use decal required for applicable spec. Dispose of the decal not used)	C
52	1001091965	1	Decal, Housing and PC Board Kit (Includes Items 2, 6, 12, 14, 16, 19, 23, 24 & 28) (Note: Two Item 6's are included in the kit - 1 for All Specs except CE/Australian Specs and 1 for CE/Australian Specs. Use decal required for applicable spec. Dispose of the decal not used)	C

SECTION 4 - PLATFORM

FIGURE 4-27. PLATFORM CONSOLE ASSEMBLY



NOTE: SEE USAGE CHART ON PARTS LIST BEFORE ORDERING PARTS.

ART_1001091154

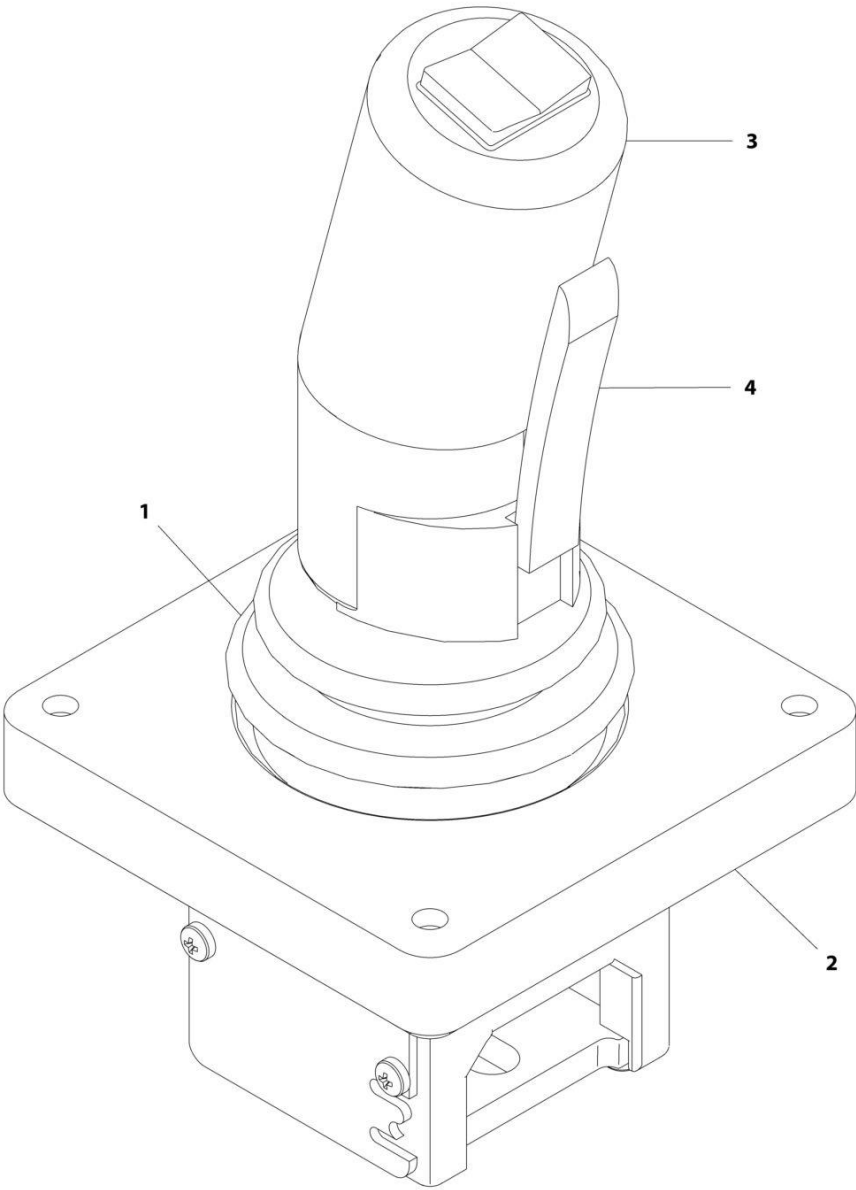
SECTION 4 - PLATFORM

FIGURE 4-27. PLATFORM CONSOLE ASSEMBLY

ITEM	PART NUMBER	QTY	DESCRIPTION	REV
	1001091154	Ref	PLATFORM CONSOLE ASSEMBLY	H
		Ref	Usage Chart	
		Ref	Australian Specs	
		Ref	CE Specs	
		Ref	China Specs (SN B200028909 to Present)	
1	0140011	1	Alarm	
2	1600439	1	PC Board	
3	1380156	1	E-Clip	
4	1600402	1	Drive/Steer Controller Assembly (See DRIVE/STEER CONTROLLER ASSEMBLY for Breakdown)	
5	1671098	1	Latch	
6	1001091275	1	Decal - Icon	
7	1705676	1	Decal - Emergency Stop Ring	
8	2560179	1	Handle, Latch	
9	1001091277	1	Housing, Joystick (Lower)	
10	1001091278	1	Mount, Joystick	
11	1001091279	1	Housing, Module Mounting (Lower)	
12	1001091280	1	Housing, Module Mounting (Upper)	
13	3300473	4	Nut M6	
14	3340968	2	Button (Includes Black Button Only)	
15	3380475	2	Panel, Side	
16	1001091283	1	Plate, Decal	
17	3900333	4	Screw M6 x 190	
18	4160203	1	Spring, Compression	
19	4191306	5	Screw M3.5 x 12	
20	4191407	8	Screw M4 x 16	
21	4191409	6	Screw M4 x 25	
22	4360475	1	Switch, Emergency Stop	
22	7020175	1	Cap	
22	7020176	1	Block, Contact	
23	4360538	2	Strip, Switch and Membrane	
24	4360539	1	Switch, Toggle	
25	4568738	1	Tube, Spacer	
26	4922870	1	Harness, Platform Box (Not Shown - See ELECTRICAL SECTION for Breakdown)	
27	1703819	1	Decal - Directional Arrow	
28	1001091396	6	Screw M3.5 x 12	
29	See Note	NSS	Decal - Control Module (Not Shown) (Note: Not Available for Purchase) (SN 1200030106 to Present, SN B200051293 to Present, SN M200023836 through M200040097)	
50	1001091968	1	Decal Kit (Includes Items 6, 16 & 28) (Note: Two Item 6's are included in the kit - 1 for All Specs except CE/Australian Specs and 1 for CE/Australian Specs. Use decal required for applicable spec. Dispose of the decal not used)	A
51	1001091393	1	Decal and Housing Kit (Includes Items 6, 12, 16 & 28) (Note: Two Item 6's are included in the kit - 1 for All Specs except CE/Australian Specs and 1 for CE/Australian Specs. Use decal required for applicable spec. Dispose of the decal not used)	C
52	1001091965	1	Decal, Housing and PC Board Kit (Includes Items 2, 6, 12, 14, 16, 19, 23, 24 & 28) (Note: Two Item 6's are included in the kit - 1 for All Specs except CE/Australian Specs and 1 for CE/Australian Specs. Use decal required for applicable spec. Dispose of the decal not used)	C

SECTION 4 - PLATFORM

FIGURE 4-28. DRIVE/STEER CONTROLLER ASSEMBLY



ART_1600402

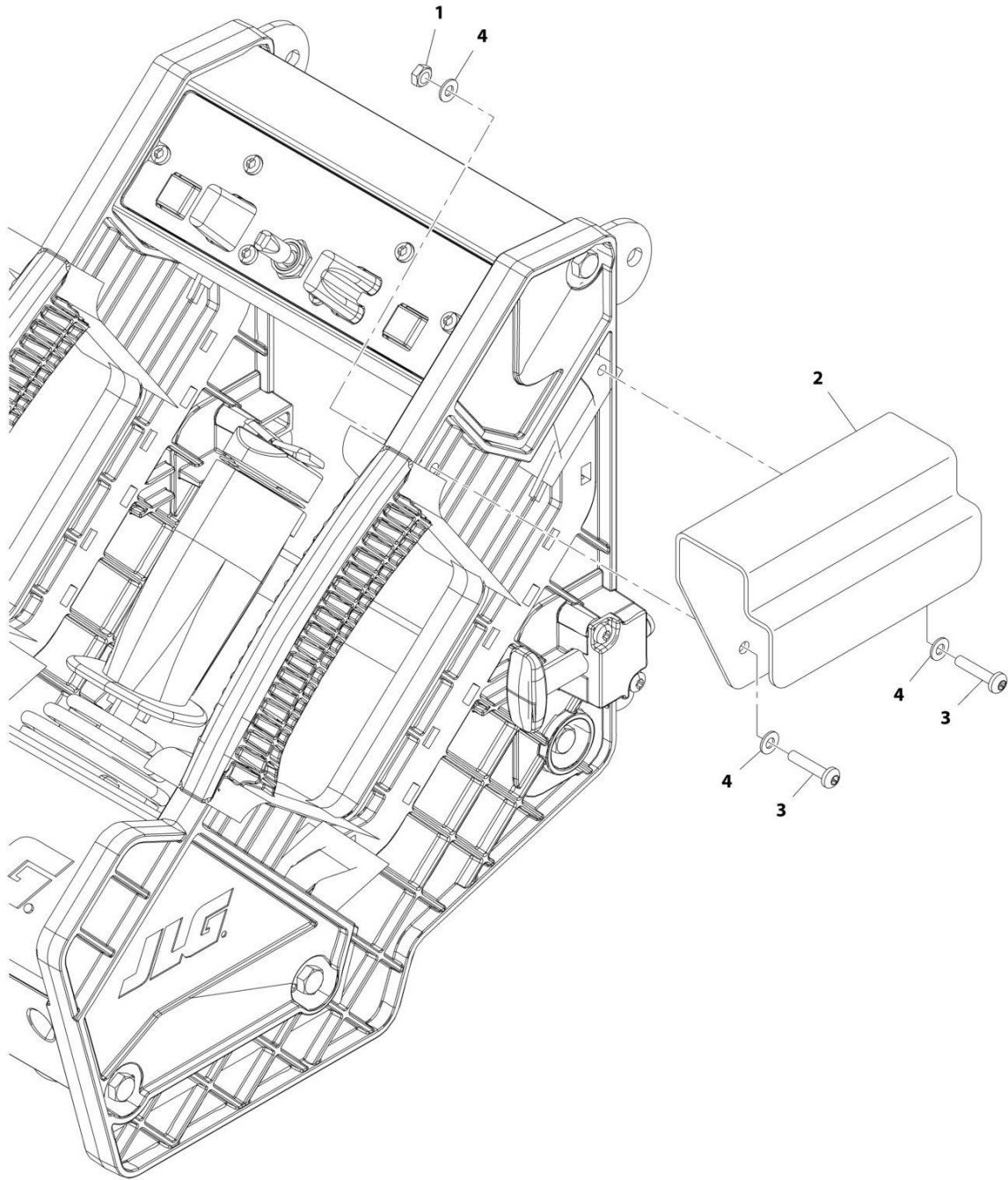
SECTION 4 - PLATFORM

FIGURE 4-28. DRIVE/STEER CONTROLLER ASSEMBLY

ITEM	PART NUMBER	QTY	DESCRIPTION	REV
	1600402	Ref	DRIVE/STEER CONTROLLER ASSEMBLY	A
1	70001250	1	Boot, Panel	
2	70001252	1	Gasket, Mounting	
2	70001251	1	Bezel, Mounting	
3	70003650	1	Handle Repair Kit (Includes handle gasket, item#4 push button and item #4 lever installed in front handle half, back handle half, top actuator, boot and hardware.)	
3	70000084	1	Cap, Rubber	
3	70000082	1	Microswitch	
3	7027766	1	Ring, Retaining	
3	7027365	1	Actuator, Handle	
3	70001253	1	Gasket, Handle	
3	70000683	4	Washer, Neoprene	
3	70000685	2	Spacer, Plastic	
3	70000686	2	Screw (Top)	
3	70000684	2	Screw (Bottom)	
4	7027367	1	Switch, Push Button	
4	7027765	1	Lever, Enable	

SECTION 4 - PLATFORM

FIGURE 4-29. PLATFORM CONSOLE HANGER INSTALLATION (OPTIONAL)



ART_0274386

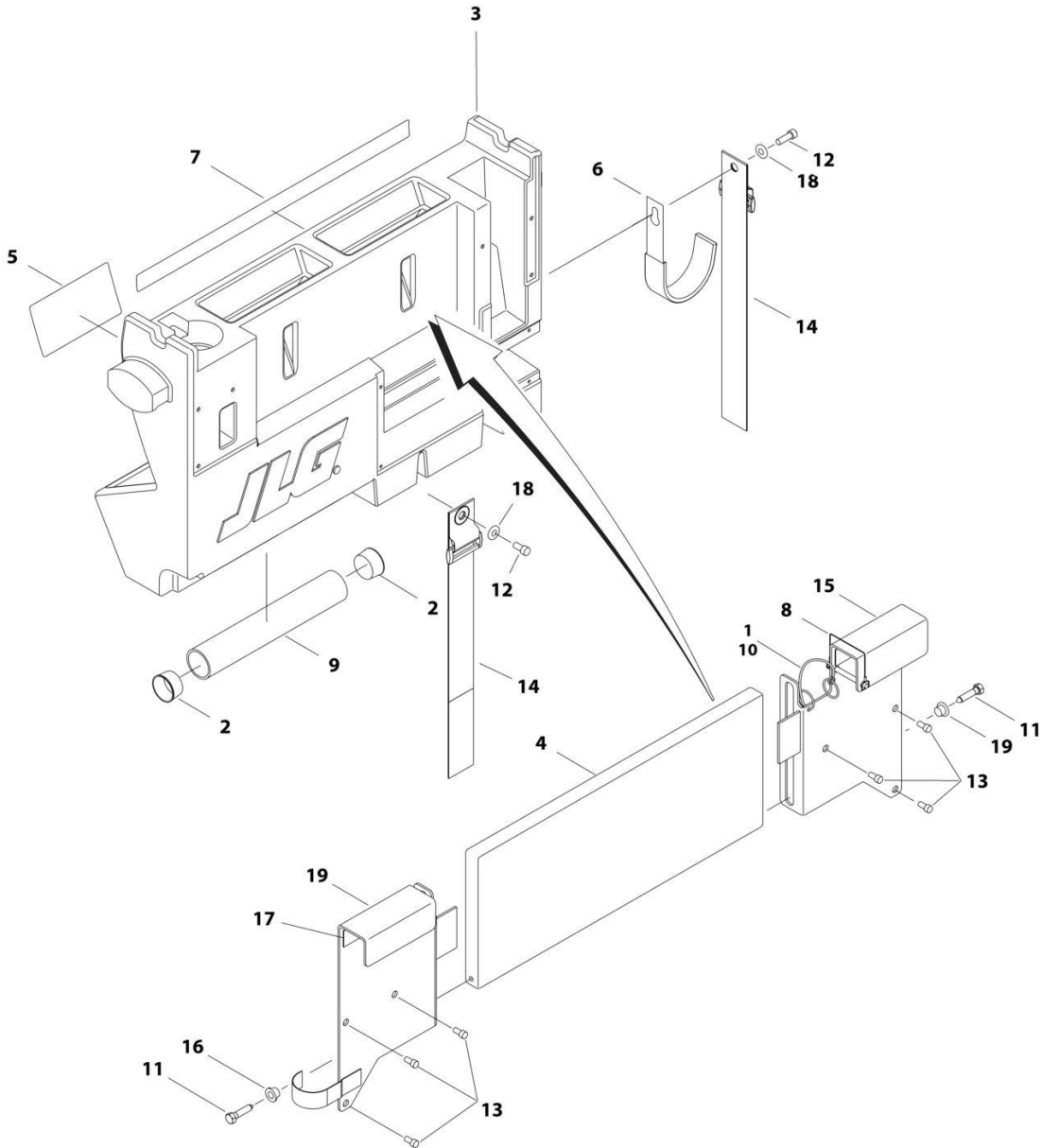
SECTION 4 - PLATFORM

FIGURE 4-29. PLATFORM CONSOLE HANGER INSTALLATION (OPTIONAL)

ITEM	PART NUMBER	QTY	DESCRIPTION	REV
	0274386	Ref	PLATFORM CONSOLE HANGER INSTALLATION (OPTIONAL)	B
1	3290405	2	Nut M4	
2	3575794	1	Plate, Bracket	
3	3900338	2	Screw M4 x 20	
4	4811400	4	Washer M4	

SECTION 4 - PLATFORM

FIGURE 4-30. WORKSTATION WITHOUT DC CONVERTER INSTALLATION



ART_0240087

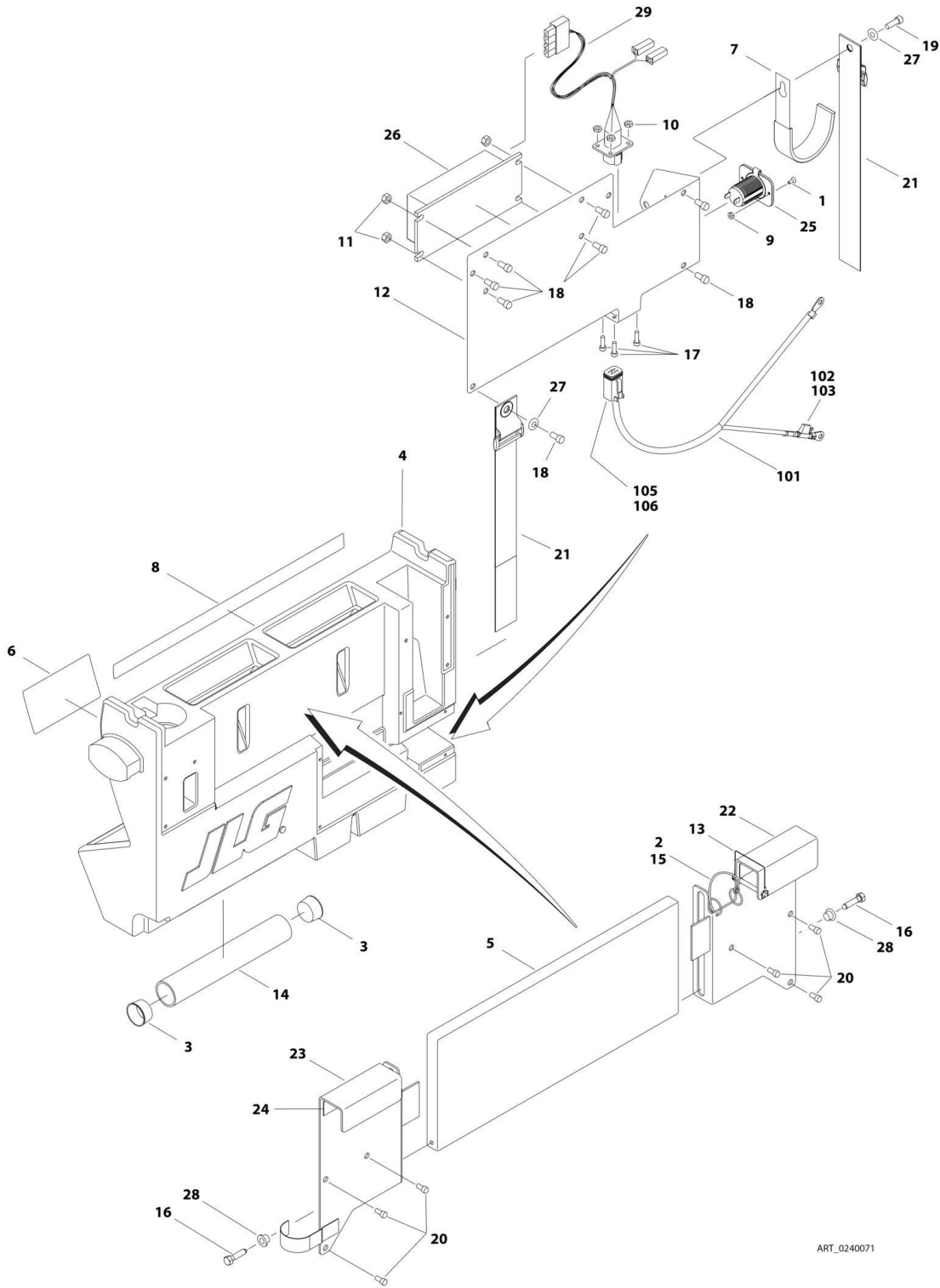
SECTION 4 - PLATFORM

FIGURE 4-30. WORKSTATION WITHOUT DC CONVERTER INSTALLATION

ITEM	PART NUMBER	QTY	DESCRIPTION	REV
	0273965	Ref	WORKSTATION INSTALLATION - REFERENCE CHART	B
	0240087	Ref	WORKSTATION WITHOUT DC CONVERTER INSTALLATION	C
1	1060379	1	Cable, Lanyard	
2	1120555	2	Cap, Manual Storage	
3	1580023	1	Container	
4	1580024	1	Tray	
5	1705997	1	Decal - Workstation	
6	2700100	1	Hook, Hanger	
7	2902348	1	Decal - Workstation Kit	
8	3422219	1	Pin	
9	3460334	1	PVC Pipe	
10	3760170	2	Ring	
11	3900355	2	Screw 5/16-9 x 1-1/2	
12	3931412	2	Bolt 1/4-20 x 3/4	
13	3931508	6	Bolt 5/16-18 x 1/2	
14	4240003	2	Strap	
15	4340853	1	Mount, RH Channel	
16	4340854	1	Mount, LH Channel	
17	4420062	3 ft/0.9m	Tape	
18	4711400	2	Washer 1/4	
19	4740480	2	Insert, Plastic	

SECTION 4 - PLATFORM

FIGURE 4-31. WORKSTATION WITH DC CONVERTER INSTALLATION



ART_0240071

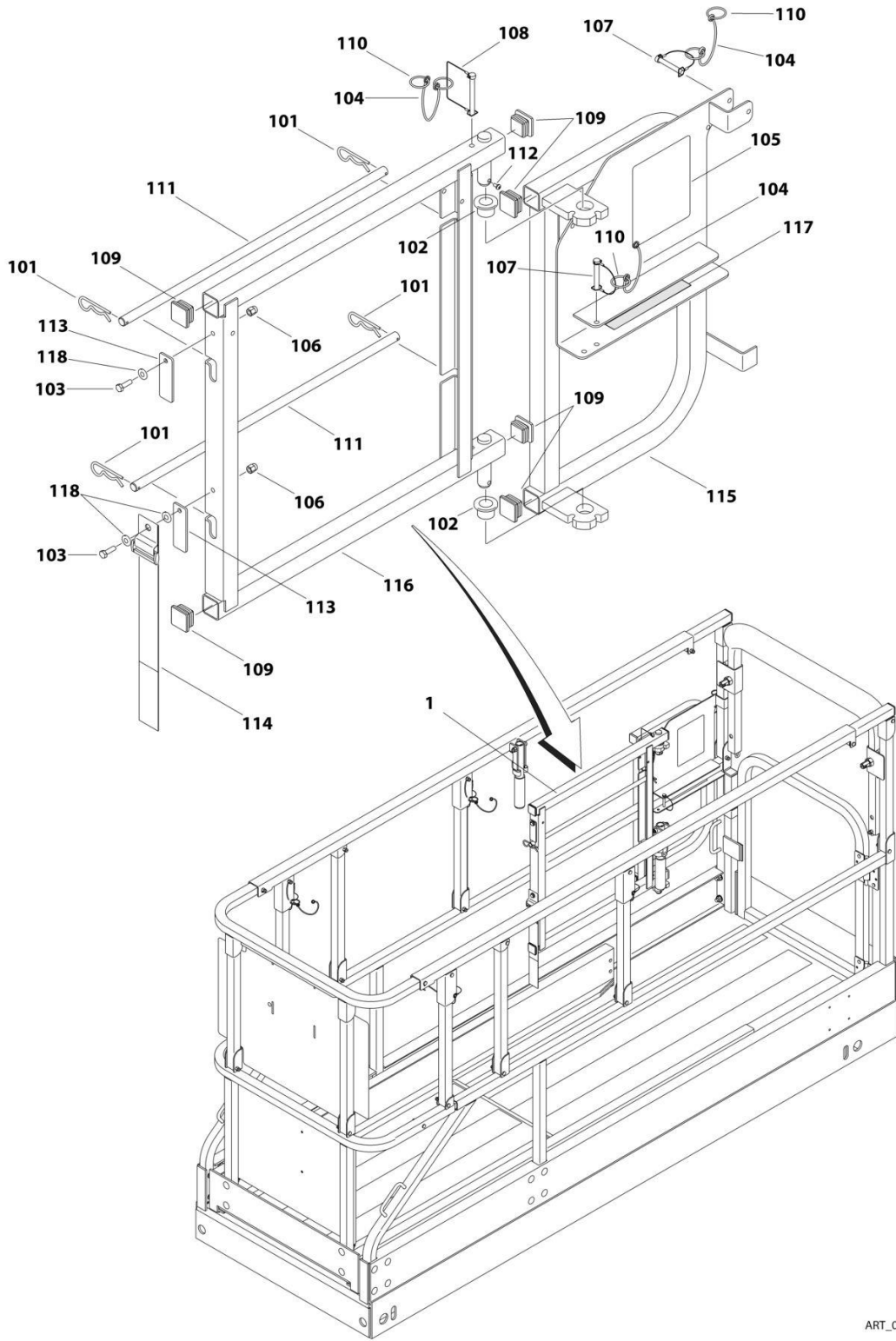
SECTION 4 - PLATFORM

FIGURE 4-31. WORKSTATION WITH DC CONVERTER INSTALLATION

ITEM	PART NUMBER	QTY	DESCRIPTION	REV
	0273955	Ref	WORKSTATION POWERED INSTALLATION - REFERENCE CHART	B
	0240071	Ref	WORKSTATION WITH DC CONVERTER INSTALLATION	D
1	0740603	2	Screw #6-32 x 3/4	
2	1060379	1	Cable, Lanyard	
3	1120555	2	Cap, Manual Storage	
4	1580023	1	Container	
5	1580024	1	Tray	
6	1705997	1	Decal - Workstation	
7	2700100	1	Hook, Hanger	
8	2902348	1	Decal - Workstation Kit	
9	3310601	2	Nut #6-32	
10	3311005	4	Nut #10-24	
11	3311405	4	Nut 1/4-20	
12	3380527	1	Panel, Converter/Receptacle	
13	3422219	1	Pin	
14	3460334	1	PVC Pipe	
15	3760170	2	Ring	
16	3900355	2	Screw 5/16-9 x 1-1/2	
17	3931010	4	Bolt #10-24 x 5/8	
18	3931408	9	Bolt 1/4-20 x 1/2	
19	3931412	1	Bolt 1/4-20 x 3/4	
20	3931508	6	Bolt 5/16-18 x 1/2	
21	4240003	2	Strap	
22	4340853	1	Mount, RH Channel	
23	4340854	1	Mount, LH Channel	
24	4420062	3 ft/0.9m	Tape	
25	4461012	1	Receptacle	
26	4530026	1	Transformer	
27	4711400	2	Washer 1/4	
28	4740480	2	Insert, Plastic	
29	4923121	1	Harness, Workstation Power (See ELECTRICAL SECTION for Breakdown)	
	4923114	Ref	WORKSTATION POWER CABLE INSTALLATION	B
101	1060331	60 ft /18.3m	Cable, 16/4	
102	2400061	1	Fuse - 10 Amp	
103	2400066	1	Holder, Fuse	
105	4460465	1	Socket, Female	
106	4460884	1	Connector - 4 Position	

SECTION 4 - PLATFORM

FIGURE 4-32. ELECTRICIAN'S TREE INSTALLATION



ART_0274153

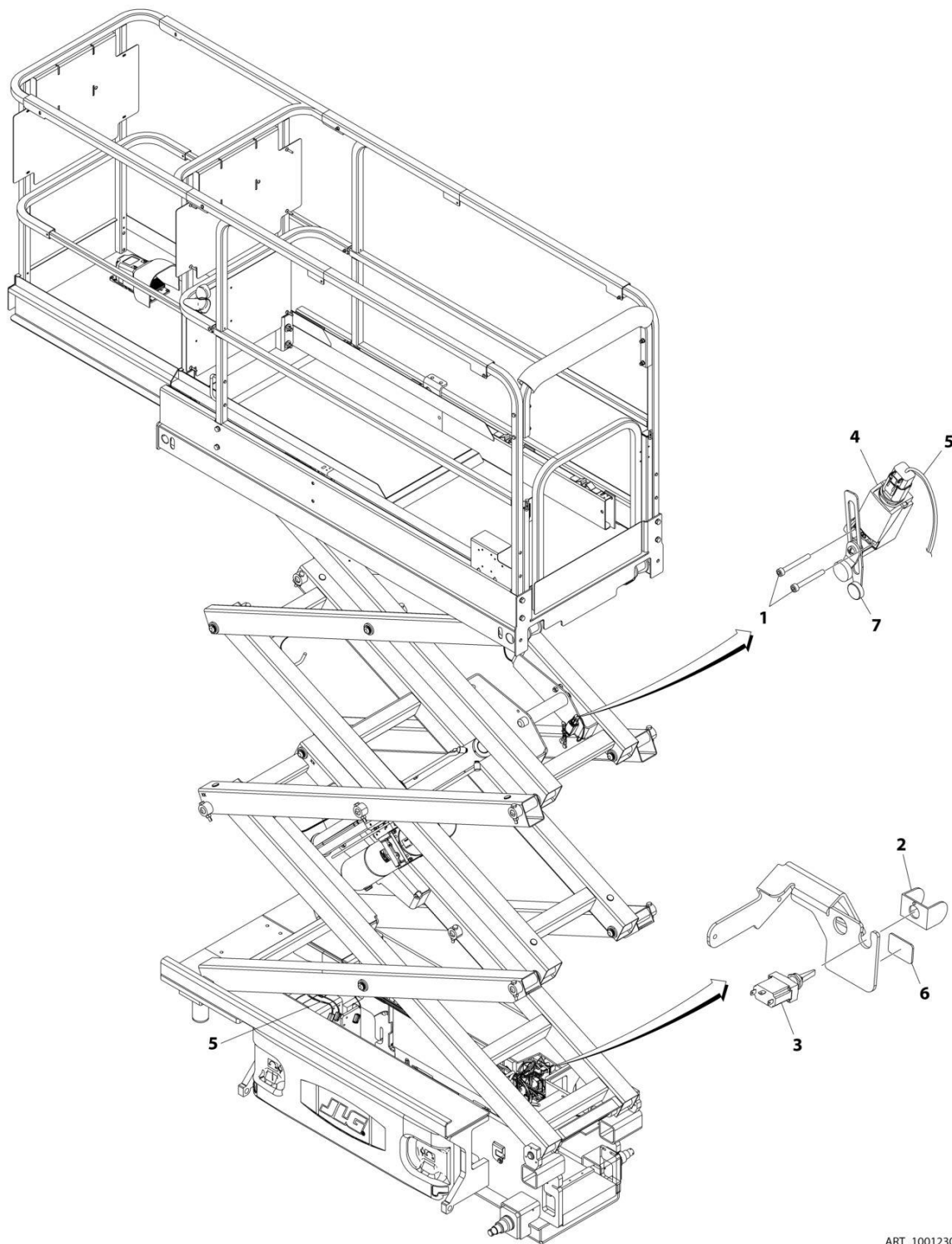
SECTION 4 - PLATFORM

FIGURE 4-32. ELECTRICIAN'S TREE INSTALLATION

ITEM	PART NUMBER	QTY	DESCRIPTION	REV
	0274153	Ref	ELECTRICIAN'S TREE INSTALLATION	B
1	0240102	NLA	Electrician's Tree (Use p/n 1001234783) (See Items 101-118 for Breakdown)	
	0240102	Ref	ELECTRICIAN'S TREE	C
101	80325	4	Hairpin, Cotter	
102	0440223	2	Bushing	
103	0700610	3	Bolt M6 x 20	
104	1060379	3	Cable, Lanyard	
105	2902386	1	Decal - Electrician's Tree Kit	
106	3290606	3	Nut M6	
107	3421453	2	Pin	
108	3422219	1	Pin	
109	3520072	6	Plug	
110	3760170	5	Ring	
111	3841675	2	Rod, Spool	
112	4191706	1	Screw M6 x 12	
113	4220227	2	Stop, Spool Rod	
114	4240003	1	Strap	
115	4340946	1	Mount, Base Pivot	
116	4340947	1	Mount, Spool Rack	
117	4420062	AR	Tape, UHMW	
118	4711400	3	Washer 1/4	
200	1001234783	1	Electrician's Tree Kit (Not Shown - Includes Items 101-108)	

SECTION 4 - PLATFORM

FIGURE 4-33. LOW HEIGHT DRIVE CUTOUT (JAPANESE & KOREAN SPECS)



ART_1001230753

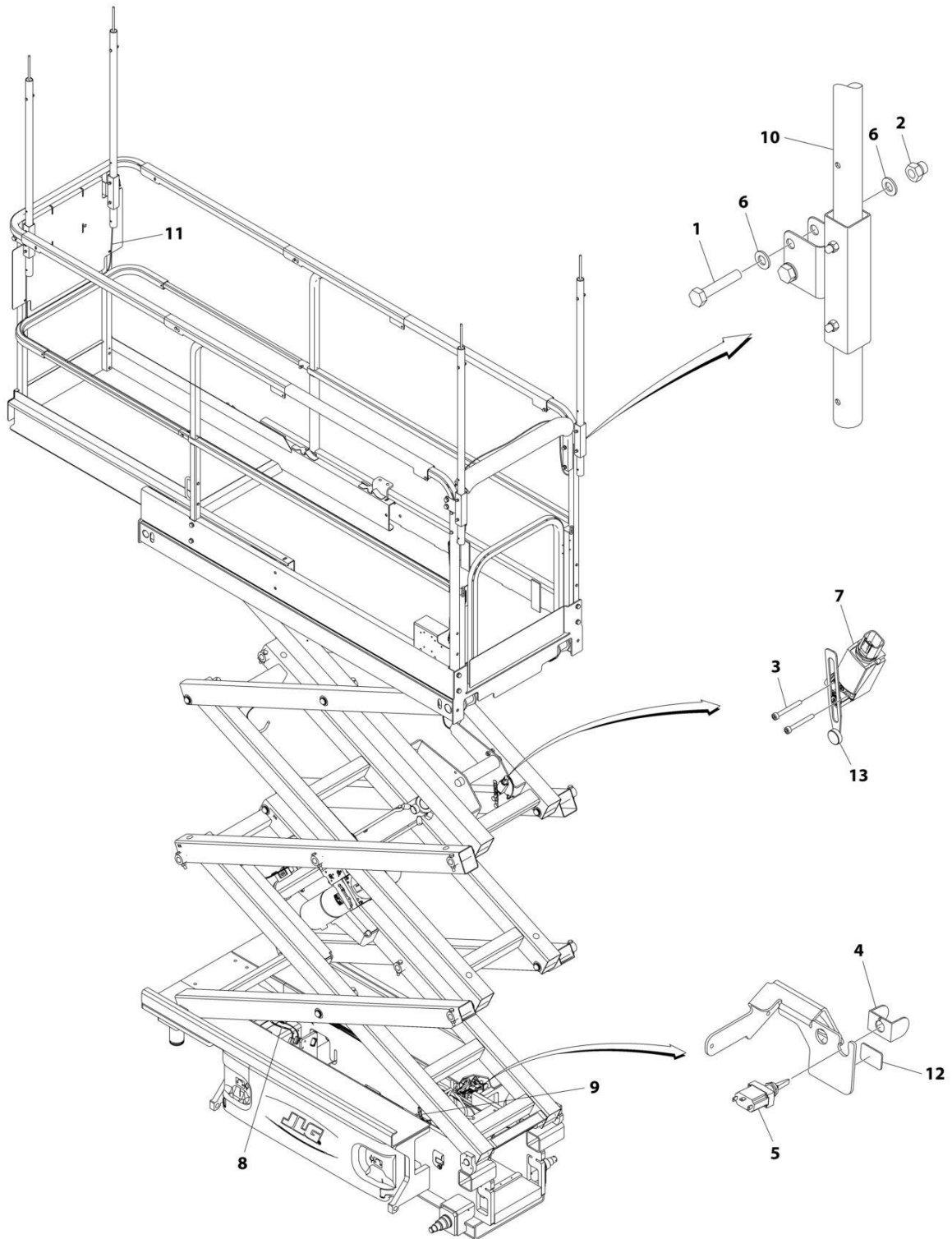
SECTION 4 - PLATFORM

FIGURE 4-33. LOW HEIGHT DRIVE CUTOUT (JAPANESE & KOREAN SPECS)

ITEM	PART NUMBER	QTY	DESCRIPTION	REV
	1001230753	Ref	LOW HEIGHT DRIVE CUTOUT	A
1	4031511	2	Capscrew M4 x 35	
2	4060906	1	Guard, Switch	
3	4360345	1	Switch	
4	1001130614	1	Switch, Limit	
5	1001213391	1	Harness, Low Height	
5	4460418	1	Connector - 6 Position	
5	4460419	3	Terminal	
5	4460884	2	Connector - 4 Position	
5	4460465	4	Socket, Female	
5	4460466	4	Seal	
5	4460932	2	Connector - 4 Position	
5	4460464	3	Pin, Male	
5	4460466	5	Seal	
6	1001214409	1	Decal - Low Drive Cutout	
7	1001231234	1	Lever, Switch	

SECTION 4 - PLATFORM

FIGURE 4-34. OVERHEAD PROTECTION AND LOW HEIGHT DRIVE CUTOUT (KOREA SPECS ONLY)



ART_1001214119

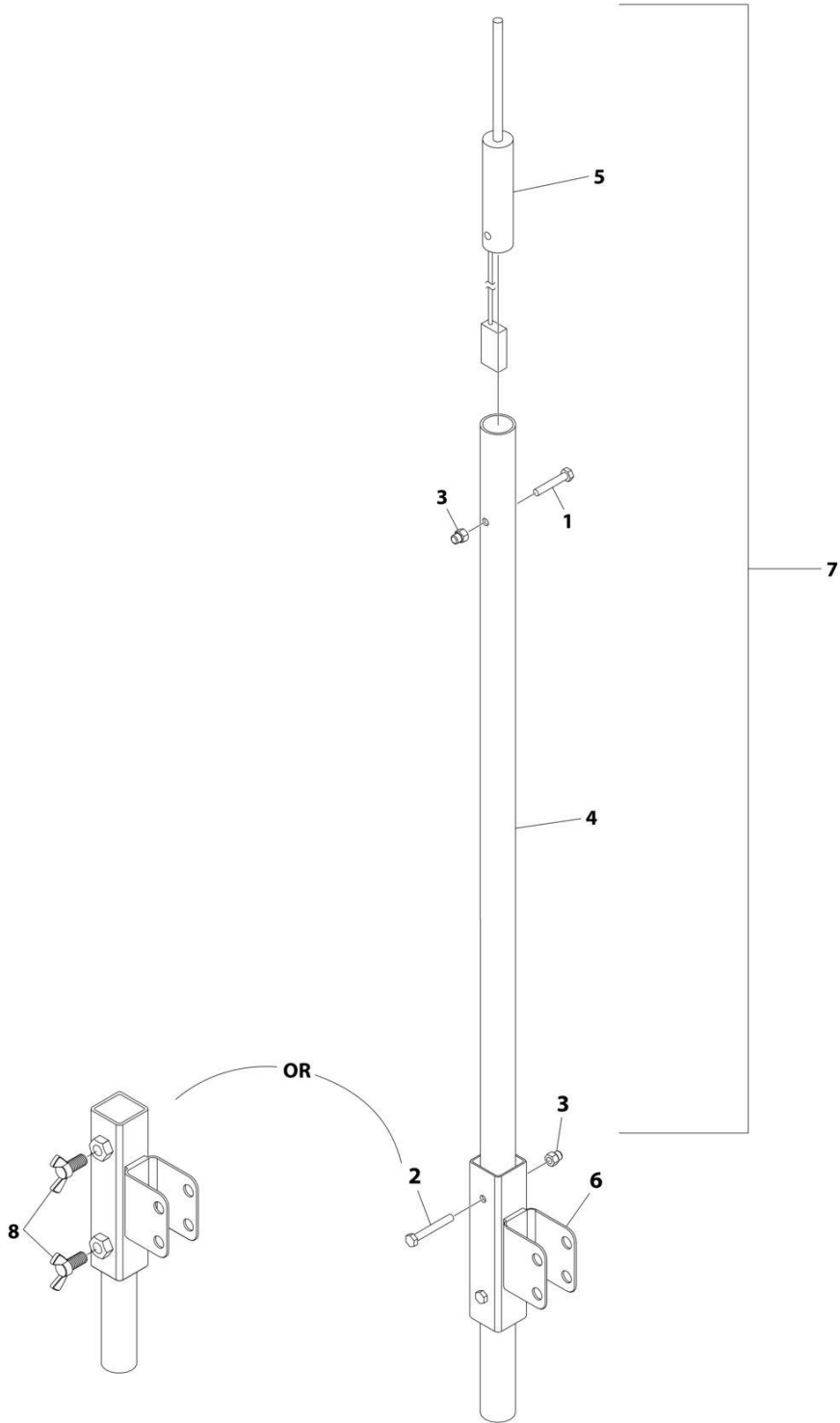
SECTION 4 - PLATFORM

FIGURE 4-34. OVERHEAD PROTECTION AND LOW HEIGHT DRIVE CUTOUT (KOREA SPECS ONLY)

ITEM	PART NUMBER	QTY	DESCRIPTION	REV
	1001214119	Ref	OVERHEAD PROTECTION AND LOW HEIGHT DRIVE CUTOUT	B
1	0701019	8	Bolt M10 x 55	
2	3291006	8	Nut M10	
3	4031511	2	Capscrew M4 x 35	
4	4060906	1	Guard, Switch	
5	4360345	1	Switch	
6	4812000	16	Washer #10	
7	1001130614	1	Switch, Limit	
8	1001213391	1	Harness, Low Height	
8	4460418	1	Connector - 6 Position	
8	4460419	3	Terminal	
8	4460884	2	Connector - 4 Position	
8	4460465	4	Socket, Female	
8	4460466	4	Seal	
8	4460932	2	Connector - 4 Position	
8	4460464	3	Pin, Male	
8	4460466	5	Seal	
9	1001213660	1	Harness, Overhead	
9	4460424	1	Connector, Female - 2 Position	
9	4460227	1	Pin, Male	
9	4460320	1	Plug, Male - 2 Position	
9	4460226	1	Socket, Female	
10	1001214311	4	Overhead Switch Kit (See OVERHEAD SWITCH KIT (FRONT) for Breakdown)	
11	1001214340	1	Cable, Overhead Switches	
11	4460891	4	Connector - 2 Position	
11	4460465	8	Socket, Female	
12	1001214409	1	Decal - Low Drive Cutout	
13	1001231234	1	Lever, Switch (SN B200046649 to Present)	

SECTION 4 - PLATFORM

FIGURE 4-35. OVERHEAD SWITCH KIT (FRONT)



ART_1001214311

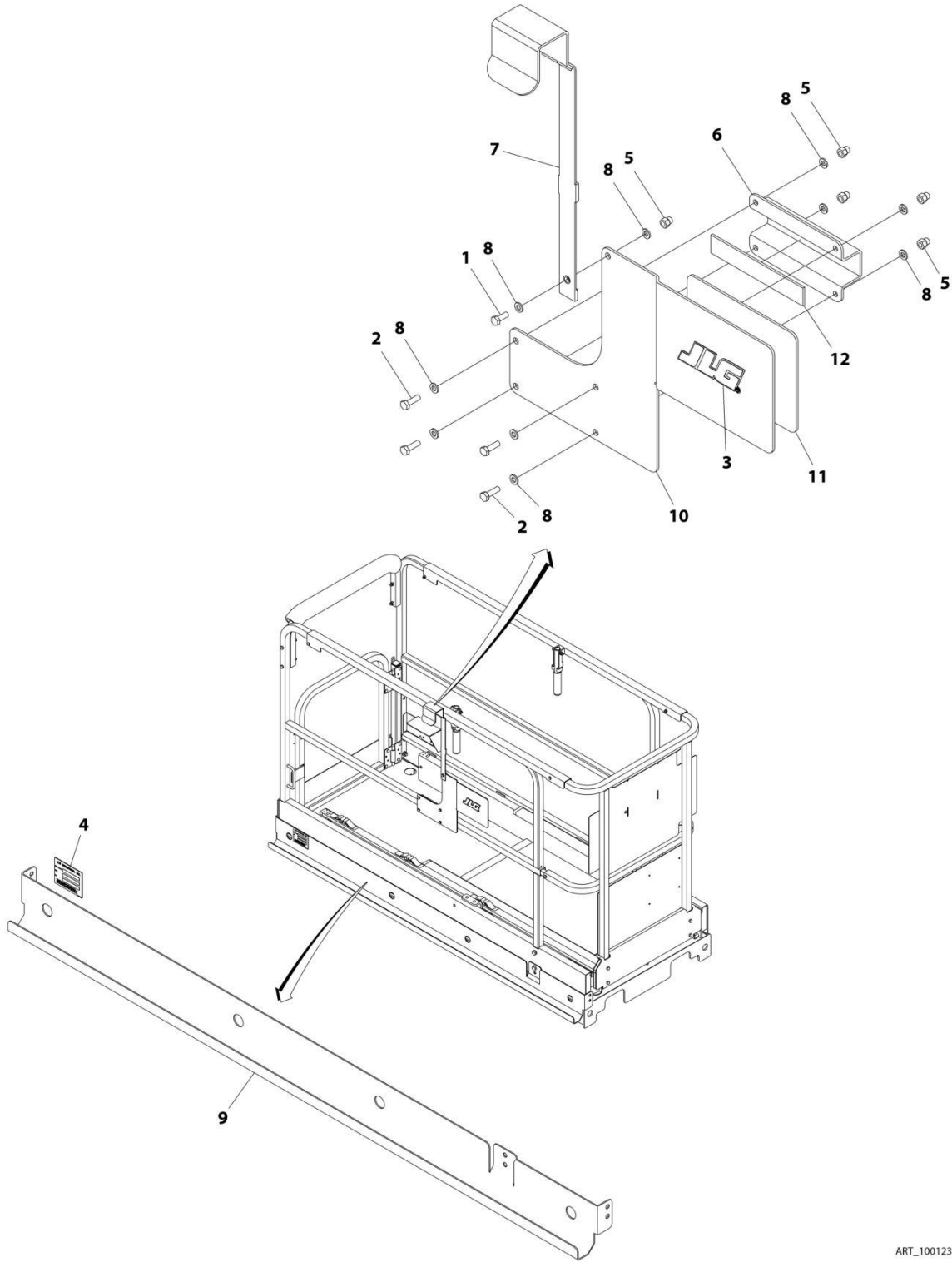
SECTION 4 - PLATFORM

FIGURE 4-35. OVERHEAD SWITCH KIT (FRONT)

ITEM	PART NUMBER	QTY	DESCRIPTION	REV
	1001214311	Ref	OVERHEAD SWITCH KIT (FRONT)	C
1	0700615	1	Bolt M6 x 35	
2	0710617	2	Bolt M6 x 45 (SN B200020297 through B200046648)	
3	3290606	AR	Nut M6	
4	1001213821	1	Tube	
5	1001213822	1	Switch	
5	7028909	1	Connector - 2 Position	
5	77363228	2	Terminal	
6	1001214310	1	Bracket	
7	1001217666	1	Switch Kit (Includes Items 1, 3, 4 & 5)	
8	1001222914	1	Screw, Thumb (SN B200046649 to Present)	

SECTION 4 - PLATFORM

FIGURE 4-36. PANEL INSTALLATION (AUSTRALIAN AND CE SPECS)



ART_1001235923

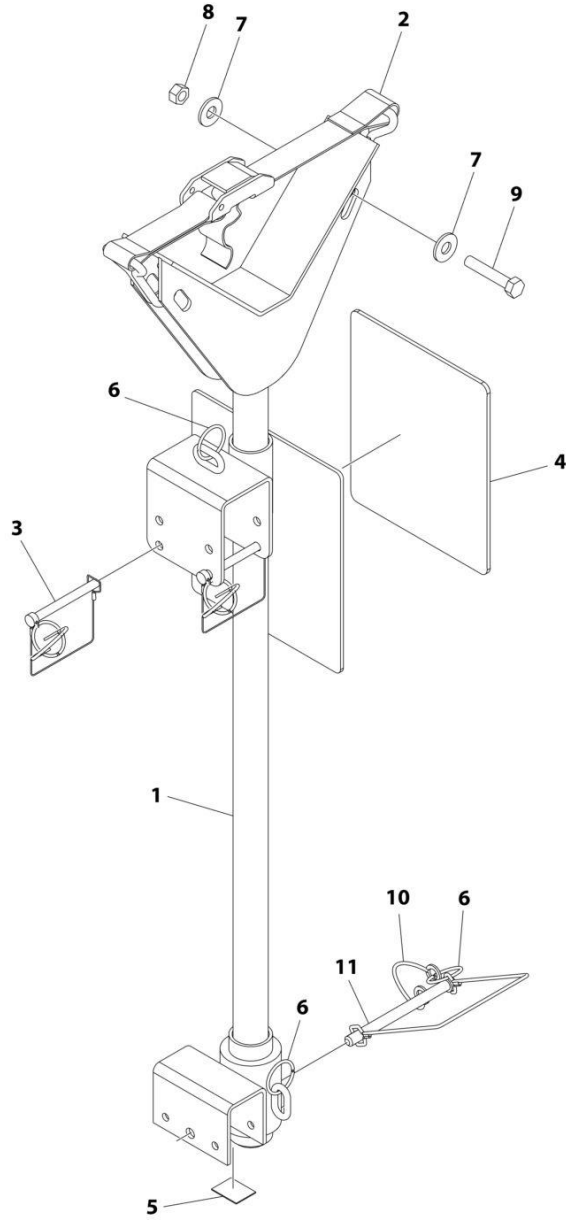
SECTION 4 - PLATFORM

FIGURE 4-36. PANEL INSTALLATION (AUSTRALIAN AND CE SPECS)

ITEM	PART NUMBER	QTY	DESCRIPTION	REV
	1001235923	Ref	PANEL INSTALLATION (AUSTRALIAN AND CE SPECS)	B
1	0760608	1	Bolt M6 x 16	
2	0760610	4	Bolt M6 x 20	
3	1702010	1	Decal - JLG	
4	See Note	NSS	Nameplate (Note: Not Available for Purchase)	
5	3290606	5	Nut M6	
6	3574505	1	Plate, Bracket	
7	4240165	1	Strap, Tie Down	
8	4811700	10	Washer M6	
9	1001235514	1	Channel	
10	1001235863	1	Plate, Billboard	
11	1001236508	1	Decal - Capacity	
12	4420037	6 in /15.2cm	Tape, Insulation	

SECTION 4 - PLATFORM

FIGURE 4-37. PIPE RACK INSTALLATION (AUSTRALIAN AND CE SPECS)



ART_1001229469

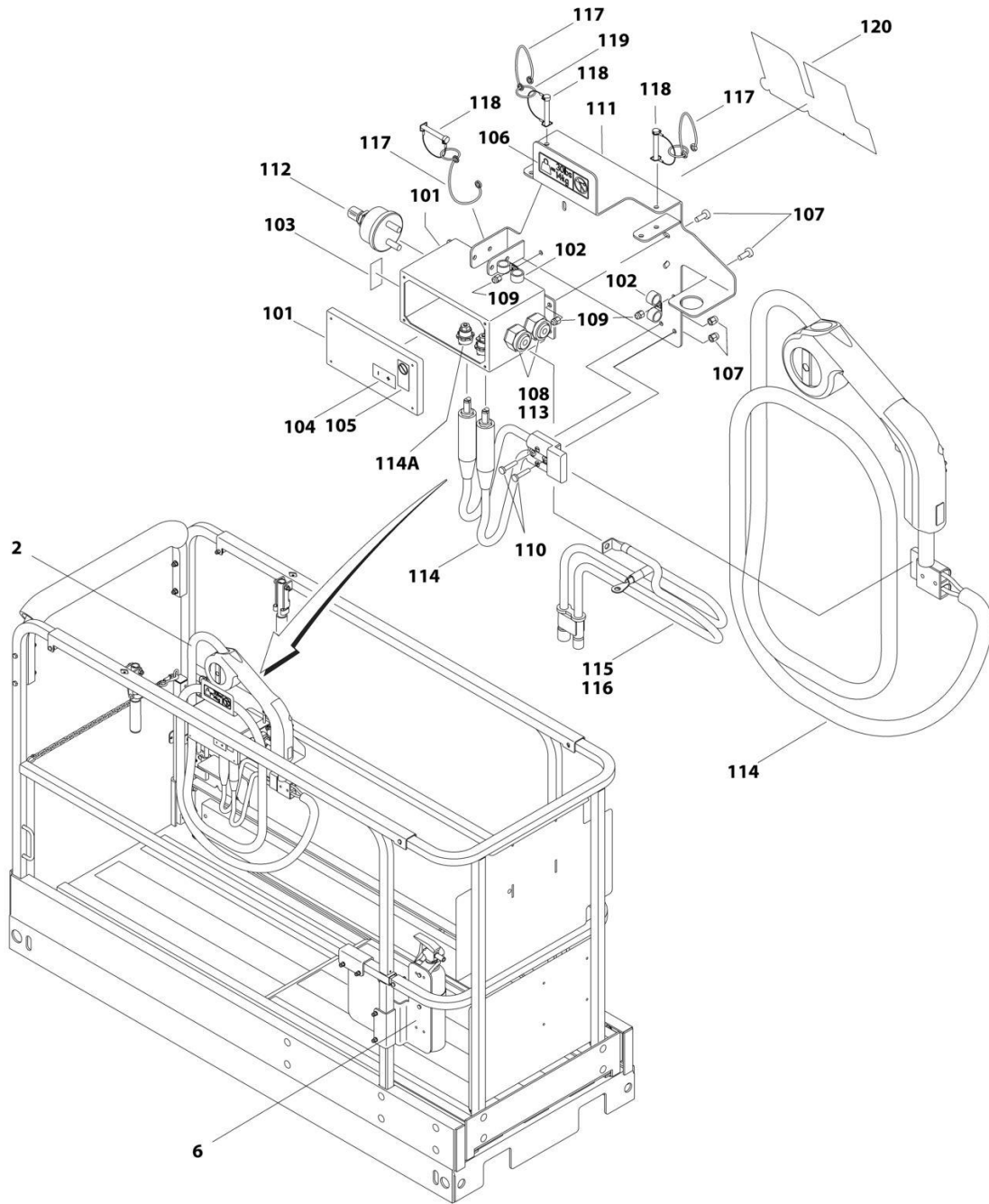
SECTION 4 - PLATFORM

FIGURE 4-37. PIPE RACK INSTALLATION (AUSTRALIAN AND CE SPECS)

ITEM	PART NUMBER	QTY	DESCRIPTION	REV
	1001229469	Ref	PIPE RACK INSTALLATION	A
1	1001199189	2	Rack Pipe	
2	0480100	2	Tie-Strap	
3	1001187587	4	Pin	
4	1001229441	2	Decal - Pipe Rack Capacity	
5	4420062	3 ft/ 1m	Tape	
6	3760170	6	Ring	
7	4751500	8	Washer 5/16	
8	3311505	4	Nut 5/16	
9	0641514	4	Bolt 5/16 x 1-3/4	
10	1060379	2	Lanyard	
11	3421854	2	Pin	

SECTION 4 - PLATFORM

FIGURE 4-38. QUIK WELDER INSTALLATION



ART_0272879

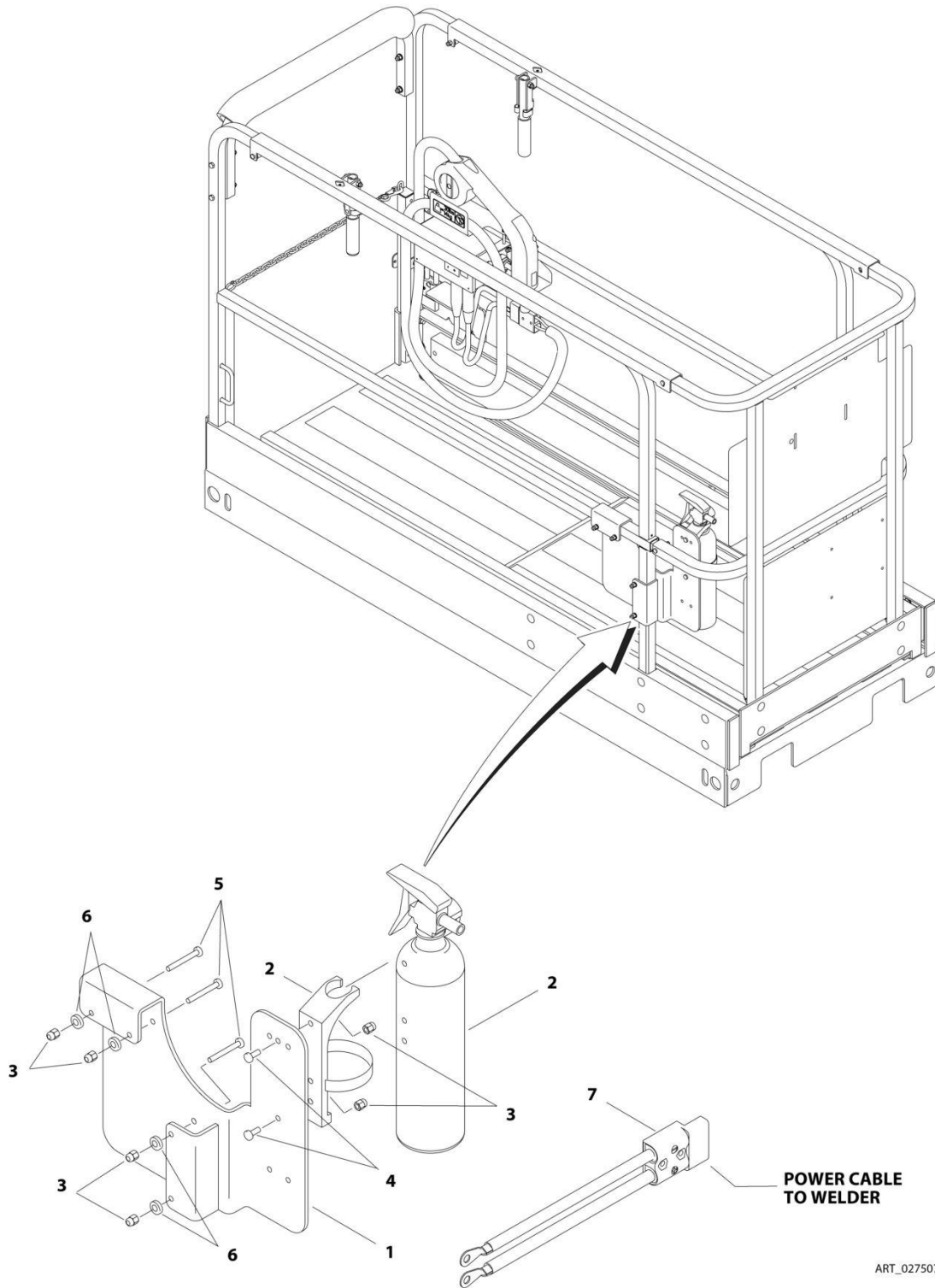
SECTION 4 - PLATFORM

FIGURE 4-38. QUIK WELDER INSTALLATION

ITEM	PART NUMBER	QTY	DESCRIPTION	REV
	0272879	Ref	QUIK WELDER INSTALLATION	D
2	2902334	1	Kit, Quik Welder (See Items 101-120 for Breakdown)	
6	0275072	1	Quik Welder Ready (See Separate Breakdown in this Section)	
	2902334	Ref	QUIK WELDER KIT	C
101	0861527	1	Box, Welder Disconnect	
102	1320224	4	Clamp	
103	1705213	1	Decal - On/Off	
104	1705214	1	Decal - Plus/ Minus	
105	1705305	1	Decal - Weld Lead	
106	1705953	1	Decal - Weight	
107	3290606	8	Bolt M6 x 1	
108	3300048	2	Nut 3/4	
109	4010608	6	Screw M6 x 16	
110	4010614	2	Screw M6 x 30	
111	4340938	1	Mount, Quik Welder	
112	4360155	1	Switch, Master Disconnect	
113	4460328	2	Terminal, Connector	
114	4530021	1	Welder	
114A	7027303	2	Connector, Female	
115	4923048	1	Cable, Quik Welder Assembly	
116	1060957	1	Cable, Welder	
117	1060379	3	Cable, Lanyard	
118	3421453	3	Pin	
119	3760170	3	Ring	
120	1705754	1	Decal - JLG	

SECTION 4 - PLATFORM

FIGURE 4-39. QUIK WELDER READY INSTALLATION



ART_0275072

SECTION 4 - PLATFORM

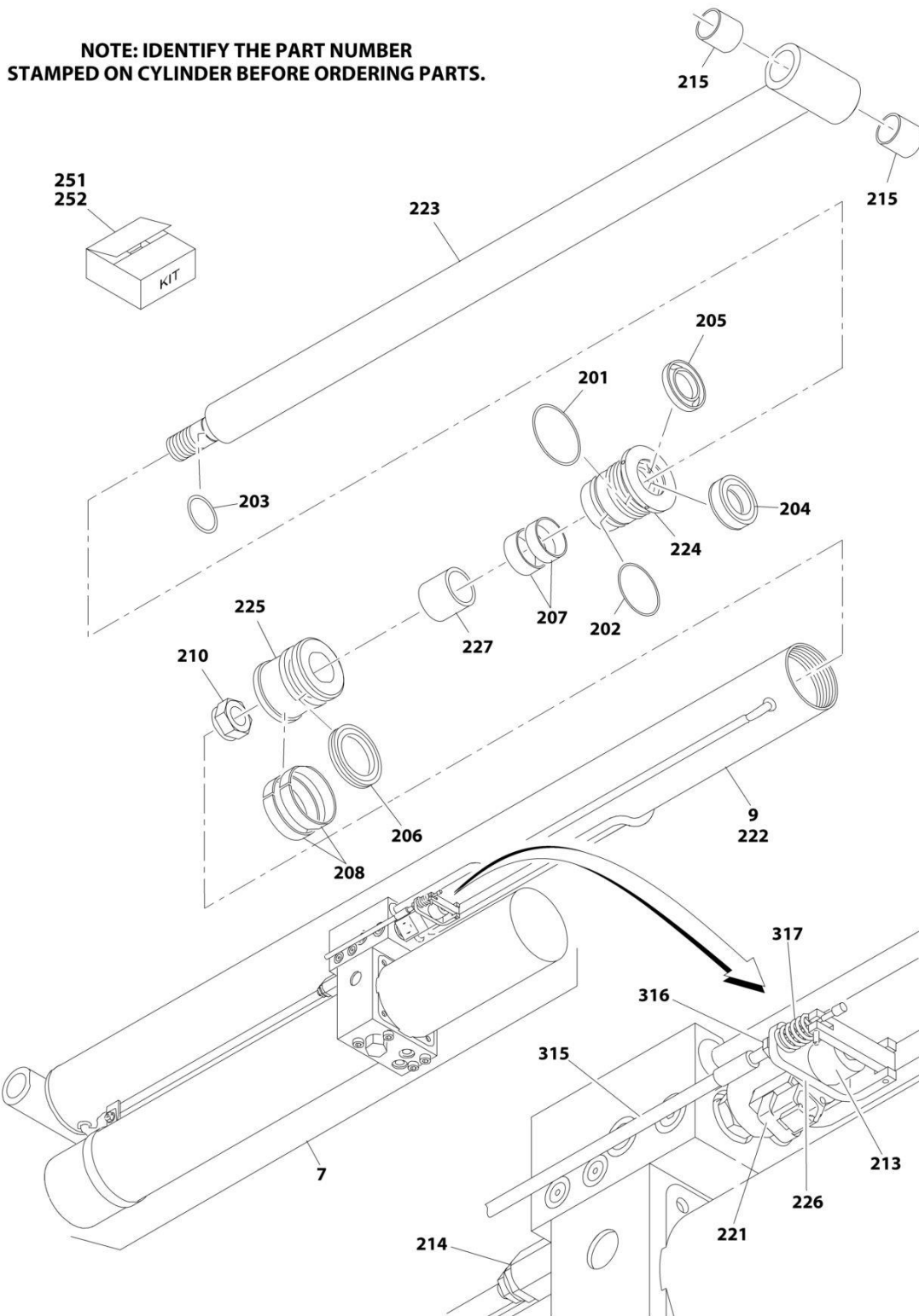
FIGURE 4-39. QUIK WELDER READY INSTALLATION

ITEM	PART NUMBER	QTY	DESCRIPTION	REV
	0275072	Ref	QUIK WELDER READY INSTALLATION	B
1	0903416	1	Bracket, Fire Extinguisher Mount	
2	2030010	1	Extinguisher, Fire	
3	3290606	6	Nut M6 x 1	
4	4010608	2	Screw M6 x 16	
5	4010618	4	Screw M6 x 50	
6	4811700	4	Washer M6	
7	4923049	1	Cable, Quik Welder Power	

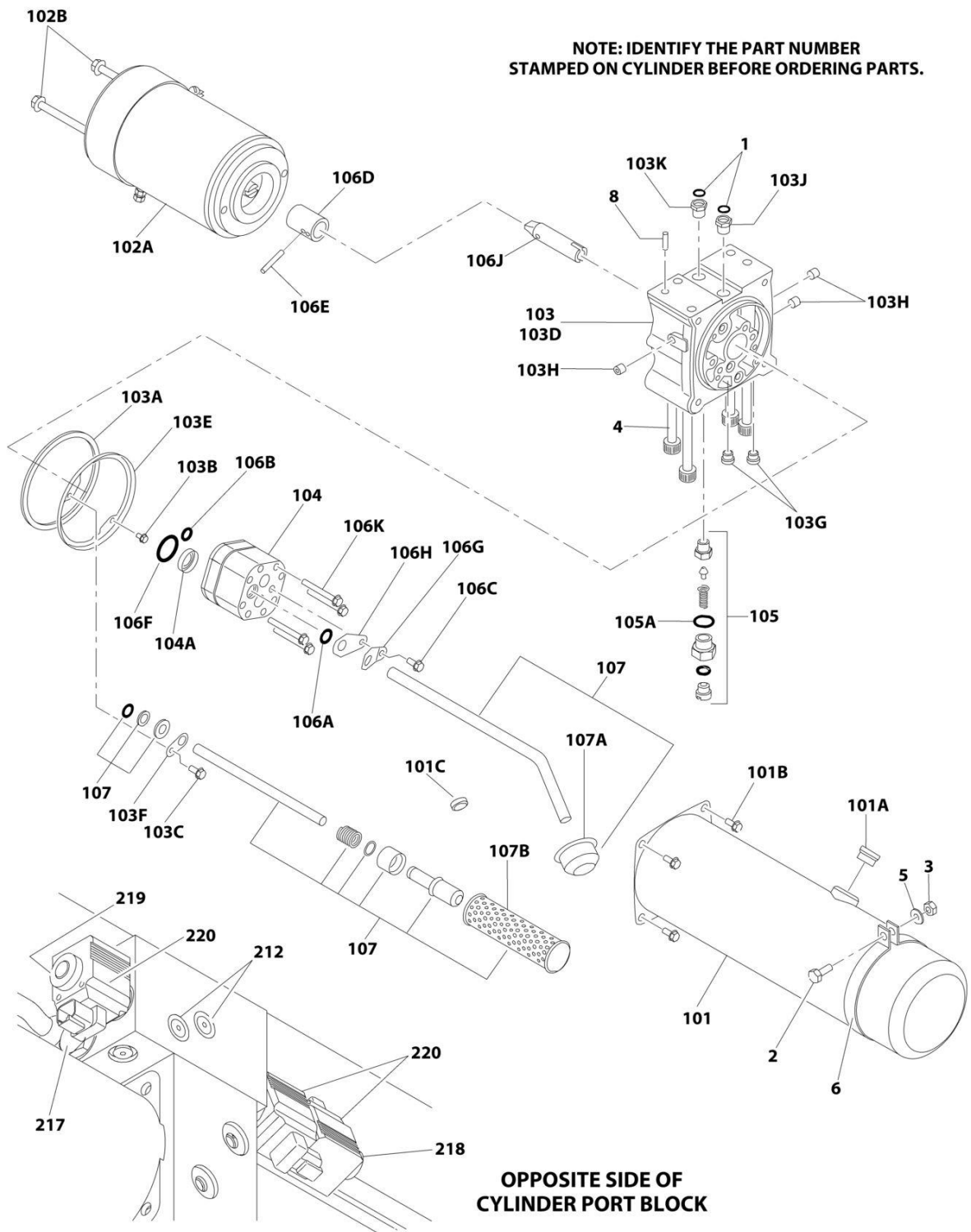
SECTION 5 - CYLINDER

SECTION 5 - CYLINDER

FIGURE 5-1. LIFT CYLINDER ASSEMBLY- 1930ES (TEXAS HYDRAULICS)



SECTION 5 - CYLINDER



SECTION 5 - CYLINDER

FIGURE 5-1. LIFT CYLINDER ASSEMBLY- 1930ES (TEXAS HYDRAULICS)

ITEM	PART NUMBER	QTY	DESCRIPTION	REV
		Ref	LIFT CYLINDER ASSEMBLY - 1930ES (TEXAS HYDRAULICS)	
	1684484	Ref	Lift Cylinder Assembly 1930ES with Standard Hydraulic Oil	H
	1684526	Ref	Lift Cylinder Assembly 1930ES with Biodegradeable Hydraulic Oil	G
		Ref	Note: Original Cylinder May Have Been Replaced with Service Replacement. Identify PN Stamped on Cylinder Before Ordering Parts.	
1	7023577	2	O-Ring	
2	See Note	NSS	Capscrew (Note: Purchase Locally)	
3	See Note	NSS	Locknut (Note: Purchase Locally)	
4	7023589	4	Capscrew	
5	See Note	NSS	Flatwasher (Note: Purchase Locally)	
6	See Note	NLA	Clamp (Note: Not Available)	
7		Ref	Power Pack Assembly - Complete Options (See Items 101-107B for Breakdown):	
7	7023558	1	Power Pack Assembly - Complete	
8	70003646	2	Pin, Dowel	
8	70003645	2	Roll Pin	
9	See Note	NSS	Cylinder Assembly Only (Note: See Items 201-227 for Breakdown)	
		Ref	POWER PACK ASSEMBLY - COMPLETE	
	7023558	Ref	Power Pack Assembly - Complete (1684484/1684526 Cylinders)	
101		Ref	Tank Kit Options (Note: Includes Tank and Items 101A-101C):	
101	7023569	1	Tank Kit	
101A	7023593	1	Plug, Fill	
101B	See Note	NSS	Screw (Note: Use Item 101)	
101C	See Note	NSS	Magnet (Note: Use Item 101)	
102		Ref	Motor Options:	
102A	7023570	1	Motor	
102A	70000658	1	Brush Kit - 7023570 Motor	
102B	See Note	NSS	Bolt (Note: Purchase Locally or Use Item 102A)	
103	7023571	1	Adapter Kit	
103A	70000335	1	O-Ring	
103B	See Note	NSS	Screw (Note: Use Item 103)	
103C	See Note	NSS	Screw (Note: Use Item 103)	
103D	See Note	NSS	Adapter (Note: Use Item 103)	
103E	See Note	1	Seal (Note: Use Item 252)	
103F	See Note	NSS	Retainer (Note: Use Item 103)	
103G	2220883	2	Plug	
103H	See Note	NSS	Plug (Note: Use Item 103)	
103J	See Note	NSS	Breather 9/16 - 12UNC (Note: Use Item 103)	
103K	See Note	NSS	Breather 9/16 - 18SAE (Note: Use Item 103)	
104		Ref	Pump Options: (Note: Shaft Seal is only Repair Part Available. No Other Service Parts Available - Replace Complete Pump)	
104	7023572	1	Pump	
104A	See Note	1	Seal, Shaft (Note: Use Item 252)	
105	7023573	1	Relief Valve Assembly	
105A	7023591	1	Sealing Washer	
106		Ref	Power Pack Miscellaneous Service Parts	
106A	See Note	NSS	Seal (Note: Use Item 106J)	
106B	See Note	1	Seal (Note: Use Item 106J)	
106C	See Note	NSS	Seal (Note: Use Item 106J)	

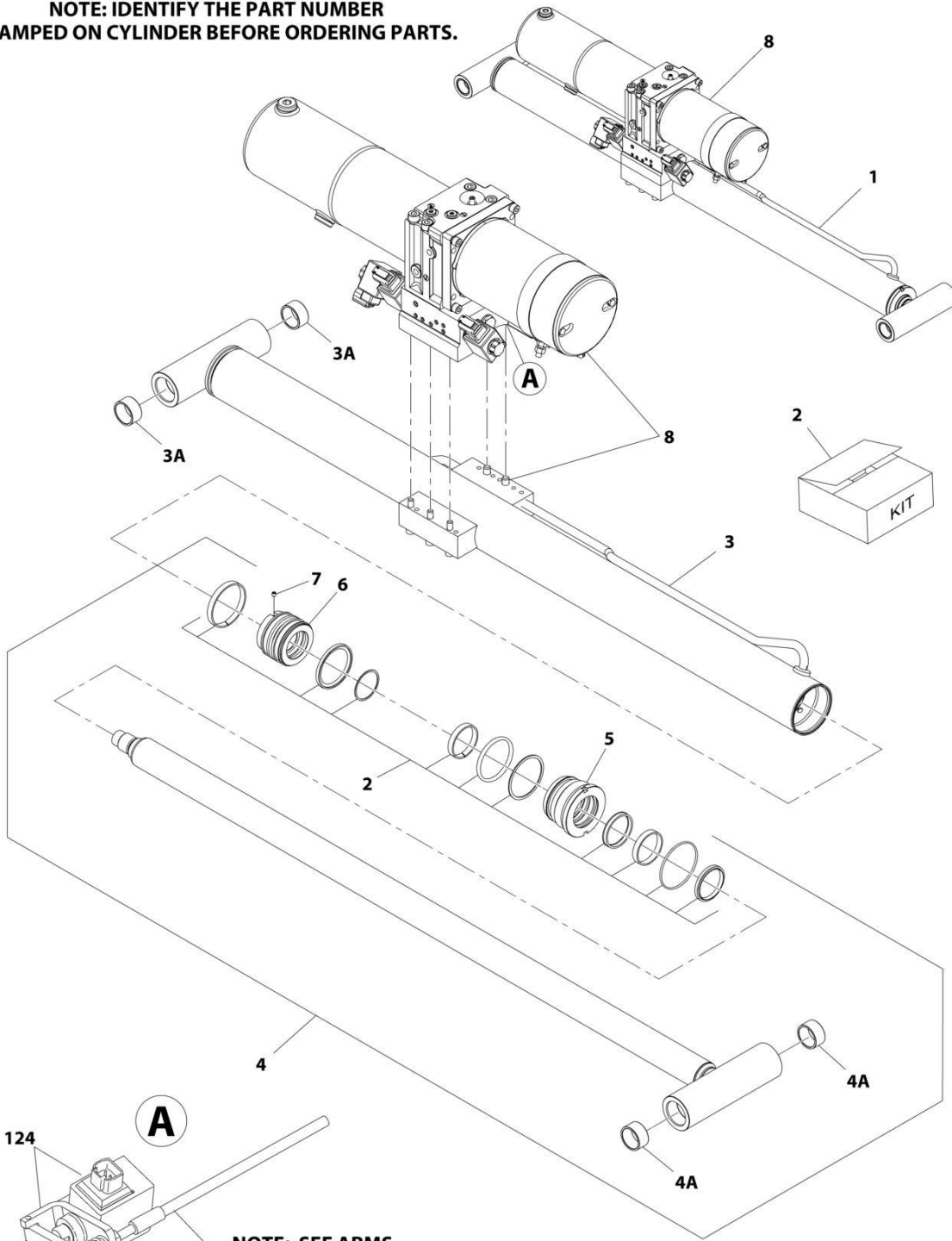
SECTION 5 - CYLINDER

ITEM	PART NUMBER	QTY	DESCRIPTION	REV
106D	See Note	NSS	Sleeve (Note: Use Item 106J)	
106E	See Note	NSS	Roll Pin (Note: Use Item 106J)	
106F	See Note	1	Seal (Note: Use Item 106J or 252)	
106G	See Note	NSS	Tab, Locking (Note: Use Item 106J)	
106H	See Note	NSS	Retainer, Tube (Note: Use Item 106J)	
106J	7023574	1	Coupler Kit (Includes Items 106A & 106K)	
106K	See Note	NSS	Bolt - (Note: Use Item 106J)	
107	7023575	1	Tube Kit	
107A	See Note	NSS	Strainer (Note: Use Item 107)	
107B	7023576	1	Filter Element (Includes Seal)	
		Ref	CYLINDER ASSEMBLY ONLY COMPONENTS	
201	See Note	1	O-Ring (Note: Use Item 251)	
202	See Note	1	O-Ring (Note: Use Item 251)	
203	See Note	2	O-Ring (Note: Use Item 251)	
204	See Note	1	Seal (Note: Use Item 251)	
205	See Note	1	Wiper (Note: Use Item 251)	
206	See Note	1	Seal (Note: Use Item 251) (Note: This is a 3 piece seal. Assembly may be required)	
207	See Note	2	Ring, Wear (Note: Use Item 251)	
208	See Note	2	Ring, Wear (Note: Use Item 251)	
210	See Note	NSS	Locknut (Note: Purchase Complete Assembly)	
211	2220883	4	Plug, Steel (SAE #4) (Not Shown)	
212	2220882	8	Plug, Steel (SAE #3)	
213	7023543	1	Valve, Proportional (Lift Down)	
214	7023542	1	Valve, Relief (Steer)	
215	0962257	2	Bushing	
217	7023538	1	Valve, Check	
218	7023537	1	Directional Control Valve (Steer)	
219	7023536	1	Directional Control Valve (Lift Up)	
220	70000798	3	Coil (Steer and Lift Up)	
221	70000799	1	Coil (Lift Down)	
222	7023553	1	Barrel	
223	7023552	1	Rod	
224	7023551	1	Head	
225	7023550	1	Piston	
226	7023530	1	Emergency Release Assembly	
227	Not Required	0	Spacer	
		Ref	SEAL KIT OPTIONS	
251	7023554	1	Seal Kit - Cylinder (Includes Items 201-208)	
252	70001709	Ref	Seal Kit - Reservoir/Pump Options (Includes 103A, 103E, 104A, 106B & 106F)	
		Ref	MANUAL DESCENT COMPONENTS	
	0274874	Ref	Manual Descent Components with Standard Hydraulic Oil	G
	0275692	Ref	Manual Descent Components with Biodegradeable Hydraulic Oil	E
315		Ref	Cable, Pull Options:	
315	1061036	1	Cable, Pull - 9ft/2.74m Length	
315	7020218	1	T-Handle (With 1/4in-20 Threads)	
315	70001878	1	T-Handle (With 5mm Threads)	
316	3321402	1	Nut, Jam 1/4in-18NF	
317	4160078	1	Spring	

SECTION 5 - CYLINDER

FIGURE 5-2. LIFT CYLINDER ASSEMBLY - 1930ES WITH STANDARD HYDRAULIC OIL (SERTA) (SN 0200239382 through 0200258871, SN B200020297 through B200032100, SN M200000100 through M200003501)

NOTE: IDENTIFY THE PART NUMBER STAMPED ON CYLINDER BEFORE ORDERING PARTS.

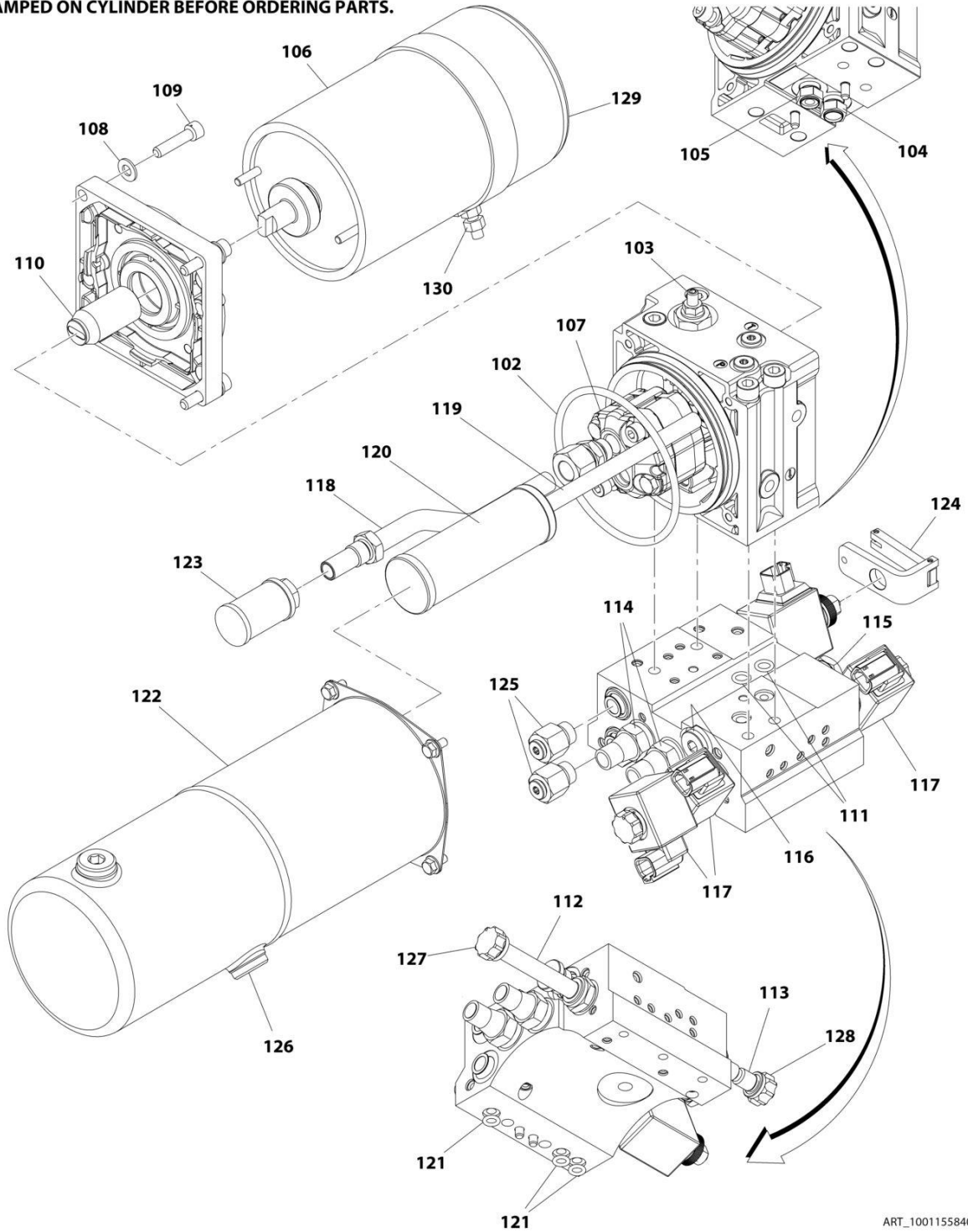


NOTE: SEE ARMS INSTALLATION FOR CALLOUT

ART_1001155840_1

SECTION 5 - CYLINDER

**NOTE: IDENTIFY THE PART NUMBER
STAMPED ON CYLINDER BEFORE ORDERING PARTS.**



ART_1001155840_2

SECTION 5 - CYLINDER

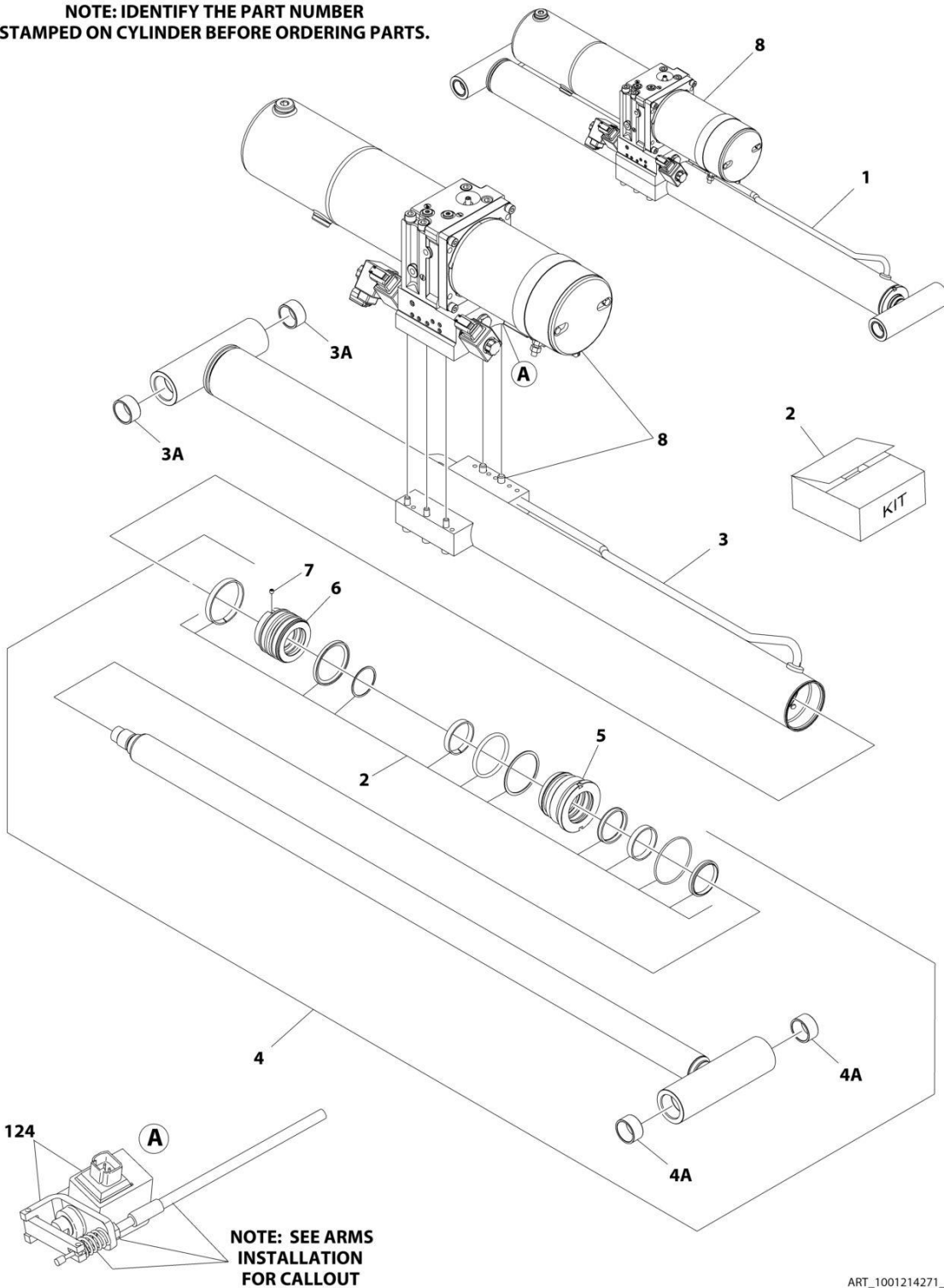
FIGURE 5-2. LIFT CYLINDER ASSEMBLY - 1930ES WITH STANDARD HYDRAULIC OIL (SERTA) (SN 0200239382 through 0200258871, SN B200020297 through B200032100, SN M200000100 through M200003501)

ITEM	PART NUMBER	QTY	DESCRIPTION	REV
	100115840	Ref	LIFT CYLINDER ASSEMBLY - 1930ES WITH STANDARD HYDRAULIC OIL (SERTA)	E
		Ref	Note: Original Cylinder May Have Been Replaced with Service Replacement. Identify PN Stamped on Cylinder Before Ordering Parts.	
1	70004721	1	Cylinder Assembly Less Powerpack	
2	70004720	1	Seal Kit	
3	70004719	1	Barrel	
3A	0962257	2	Bushing	
4	70004718	1	Rod Assembly (Includes Items 2, 4A, 5, 6 & 7)	
4A	0962257	1	Bushing	
5	70006083	1	Head, Cylinder	
6	70006082	1	Piston	
7	70023915	1	Screw	
8	70004938	1	Motor/Pump/Tank Assembly(Includes Items 102-121)	
		Ref	MOTOR/PUMP/TANK ASSEMBLY	
	70004938	1	Motor/Pump/Tank Assembly	
102	70004914	1	O-Ring	
103	70004915	1	Cartridge, Valve (Main Relief)	
104	70004916	1	Cartridge, Valve (Breather Vacuum Check)	
105	70004917	1	Cartridge, Valve (Breather Pressure Check)	
106	70004970	1	Kit, Motor (Includes motor, flange and ring)	
107	70005233	1	Kit, Pump (Includes pump and hardware)	
108	70004974	4	Washer M8	
109	70004975	4	Capscrew M8 x 60	
110	70004973	1	Shaft Coupling	
111	70004925	2	O-Ring	
112	70003028	1	Cartridge, Solenoid Valve Less Coil (Steer)	
113	70004926	1	Cartridge, Solenoid Valve Less Coil (Lift)	
114	70004927	2	Cartridge, Valve (Steer Relief)	
115	70004585	1	Cartridge, Valve (Lift Check)	
116	70004928	1	Filter 300 micron	
117	70003707	3	Coil	
118	70004932	1	Pipe, Suction	
119	70004934	1	Pipe, Return	
120	70004935	1	Filter, Bypass	
121	70004936	3	O-Ring	
122	70005234	1	Kit, Tank (Includes tank, plug, "o"-ring and screws)	
123	70005235	1	Kit, Filter (Includes strainer and seal ring)	
124	70005236	1	Kit, Solenoid Valve (Includes solenoid, coil and lever)	
125	70005237	2	Kit, Fitting (Includes adapter, seal washer and plug)	
126	70004921	1	Plug	
127	70004654	1	Nut, Coil (for Item #112)	
128	70005238	1	Nut, Retaining (for Item #113)	
129	70004971	1	Kit, Brush	
130	70004972	1	Nut M8	

SECTION 5 - CYLINDER

FIGURE 5-3. LIFT CYLINDER ASSEMBLY - 1930ES WITH STANDARD HYDRAULIC OIL (SERTA) (SN 0200258872 to Present, SN B200032101 to Present, SN M200003501 through M200040097)

NOTE: IDENTIFY THE PART NUMBER STAMPED ON CYLINDER BEFORE ORDERING PARTS.

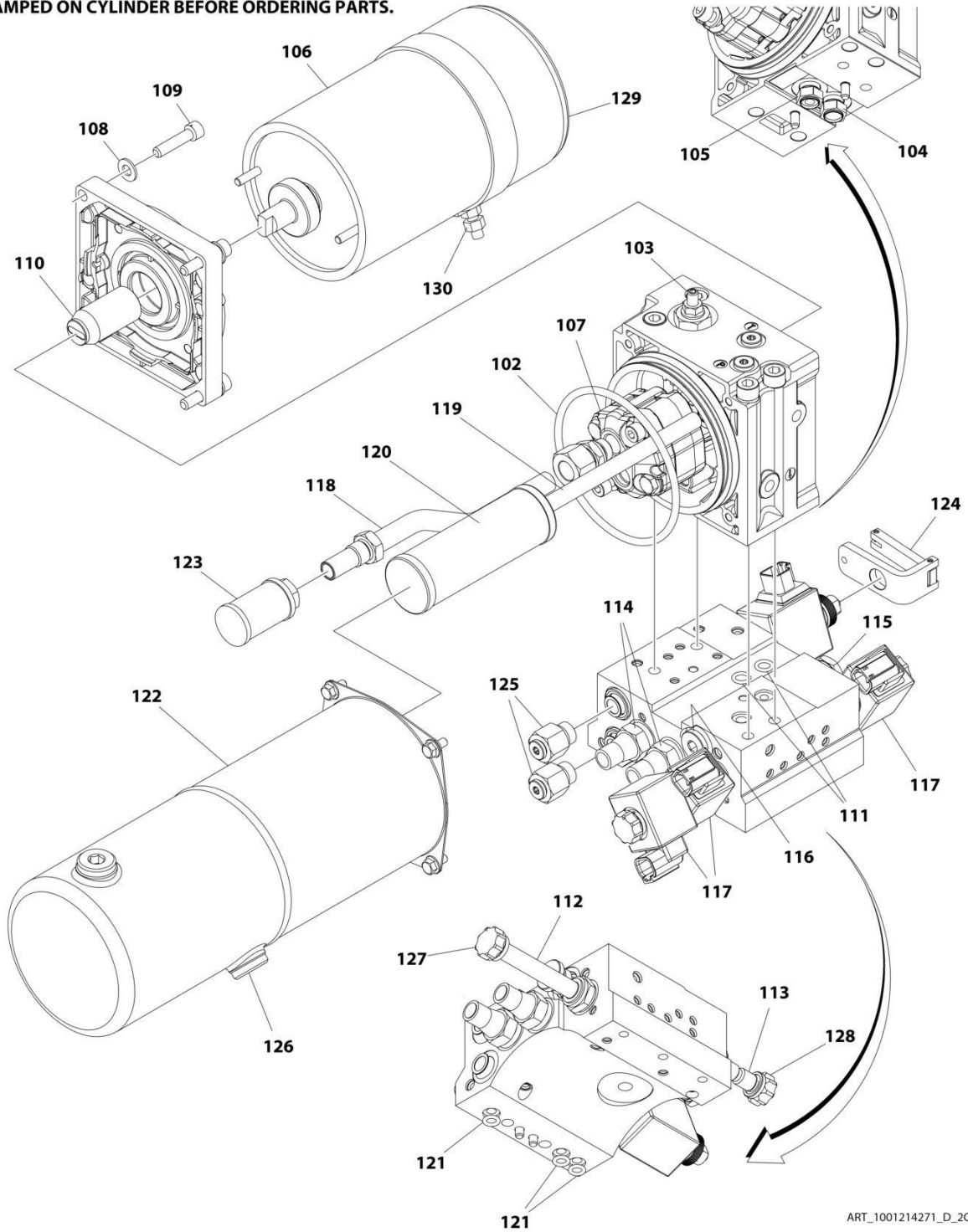


NOTE: SEE ARMS INSTALLATION FOR CALLOUT

ART_1001214271_D_10F2

SECTION 5 - CYLINDER

**NOTE: IDENTIFY THE PART NUMBER
STAMPED ON CYLINDER BEFORE ORDERING PARTS.**



ART_1001214271_D_20F2

SECTION 5 - CYLINDER

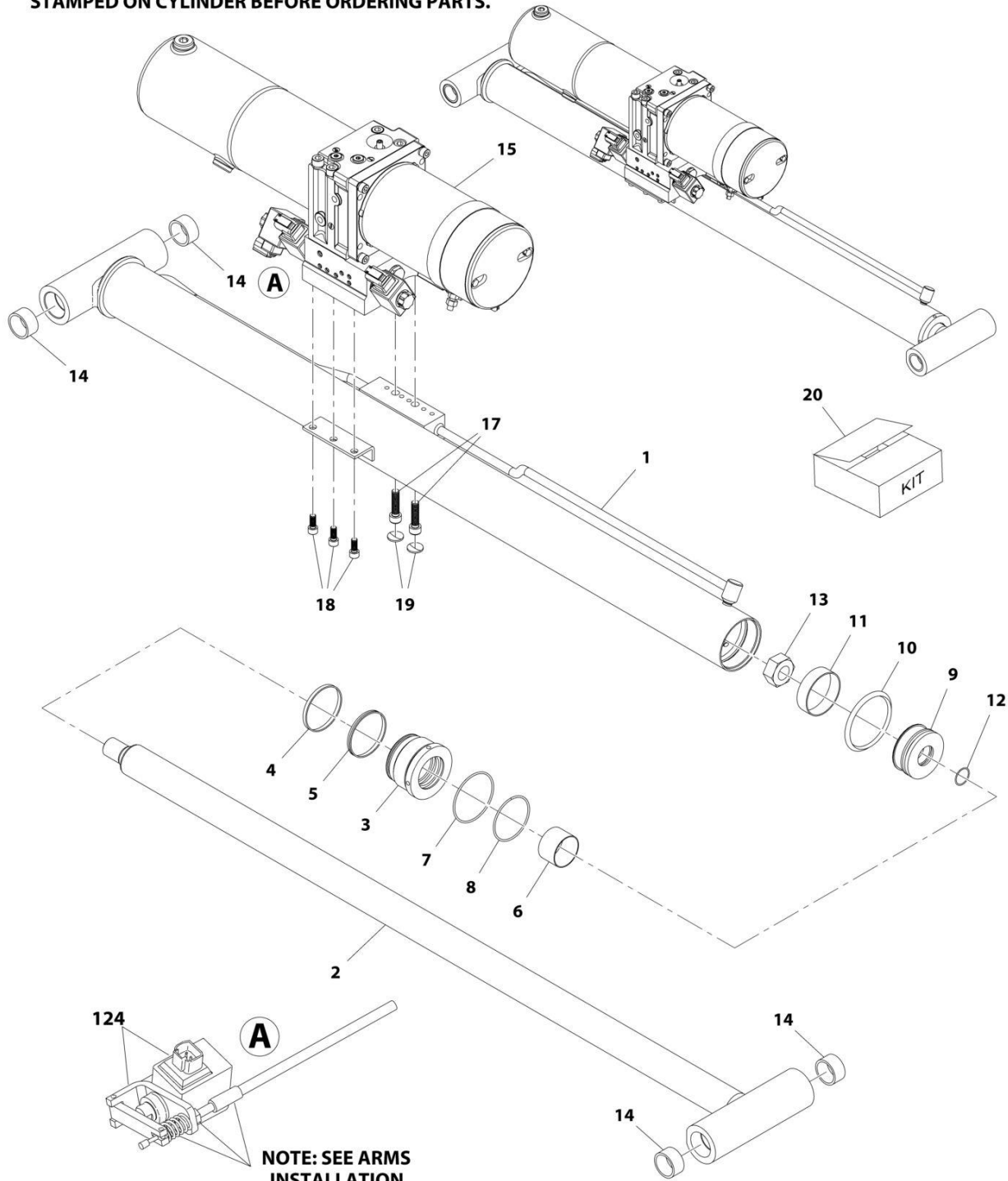
FIGURE 5-3. LIFT CYLINDER ASSEMBLY - 1930ES WITH STANDARD HYDRAULIC OIL (SERTA) (SN 0200258872 to Present, SN B200032101 to Present, SN M200003501 through M200040097)

ITEM	PART NUMBER	QTY	DESCRIPTION	REV
	1001214271	Ref	LIFT CYLINDER ASSEMBLY - 1930ES WITH STANDARD HYDRAULIC OIL (SERTA)	D
		Ref	Note: Original Cylinder May Have Been Replaced with Service Replacement. Identify PN Stamped on Cylinder Before Ordering Parts.	
1	70005969	1	Cylinder Assembly Less Powerpack	
2	70004720	1	Seal Kit	
3	70005968	1	Barrel	
3A	0962257	2	Bushing	
4	70004718	1	Rod Assembly (Includes Items 2, 4A, 5, 6 & 7)	
4A	0962257	1	Bushing	
5	70006083	1	Head, Cylinder	
6	70006082	1	Piston	
7	70023915	1	Screw	
8	70004938	1	Motor/Pump/Tank Assembly (Includes Items 102-121)	
8	70005970	1	Screw, Mounting	
8	70005971	1	Screw, Mounting	
		Ref	MOTOR/PUMP/TANK ASSEMBLY	
	70004938	1	Motor/Pump/Tank Assembly	
102	70004914	1	O-Ring	
103	70004915	1	Cartridge, Valve (Main Relief)	
104	70004916	1	Cartridge, Valve (Breather Vacuum Check)	
105	70004917	1	Cartridge, Valve (Breather Pressure Check)	
106	70004970	1	Kit, Motor (Includes motor, flange and ring)	
107	70005233	1	Kit, Pump (Includes pump and hardware)	
108	70004974	4	Washer M8	
109	70004975	4	Capscrew M8 x 60	
110	70004973	1	Shaft Coupling	
111	70004925	2	O-Ring	
112	70003028	1	Cartridge, Solenoid Valve Less Coil (Steer)	
113	70004926	1	Cartridge, Solenoid Valve Less Coil (Lift)	
114	70004927	2	Cartridge, Valve (Steer Relief)	
115	70004585	1	Cartridge, Valve (Lift Check)	
116	70004928	1	Filter 300 micron	
117	70003707	3	Coil	
118	70004932	1	Pipe, Suction	
119	70004934	1	Pipe, Return	
120	70004935	1	Filter, Bypass	
121	70004936	3	O-Ring	
122	70005234	1	Kit, Tank (Includes tank, plug, "o"-ring and screws)	
123	70005235	1	Kit, Filter (Includes strainer and seal ring)	
124	70005236	1	Kit, Solenoid Valve (Includes solenoid, coil and lever)	
125	70005237	2	Kit, Fitting (Includes adapter, seal washer and plug)	
126	70004921	1	Plug	
127	70004654	1	Nut, Coil (for Item #112)	
128	70005238	1	Nut, Retaining (for Item #113)	
129	70004971	1	Kit, Brush	
130	70004972	1	Nut M8	

SECTION 5 - CYLINDER

FIGURE 5-4. LIFT CYLINDER ASSEMBLY - 1930ES WITH STANDARD HYDRAULIC OIL (SH-PAC) (SN 0200239382 through 0200258871, SN B200020297 through B200032100, SN M200000100 through M200003501)

NOTE: IDENTIFY THE PART NUMBER STAMPED ON CYLINDER BEFORE ORDERING PARTS.

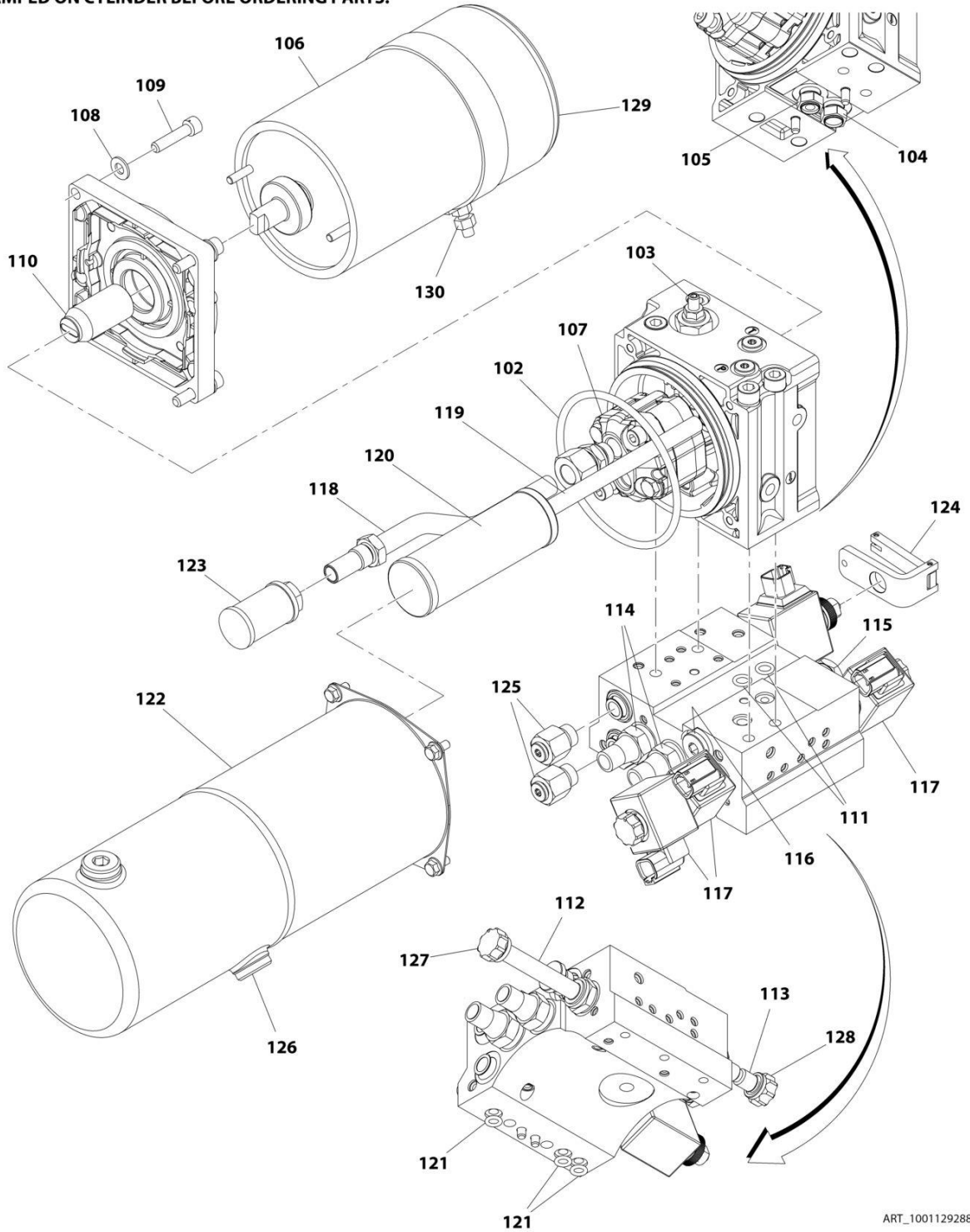


NOTE: SEE ARMS INSTALLATION FOR CALLOUTS

ART_1001129288_1

SECTION 5 - CYLINDER

**NOTE: IDENTIFY THE PART NUMBER
STAMPED ON CYLINDER BEFORE ORDERING PARTS.**



ART_1001129288_2

SECTION 5 - CYLINDER

FIGURE 5-4. LIFT CYLINDER ASSEMBLY - 1930ES WITH STANDARD HYDRAULIC OIL (SH-PAC) (SN 0200239382 through 0200258871, SN B200020297 through B200032100, SN M200000100 through M200003501)

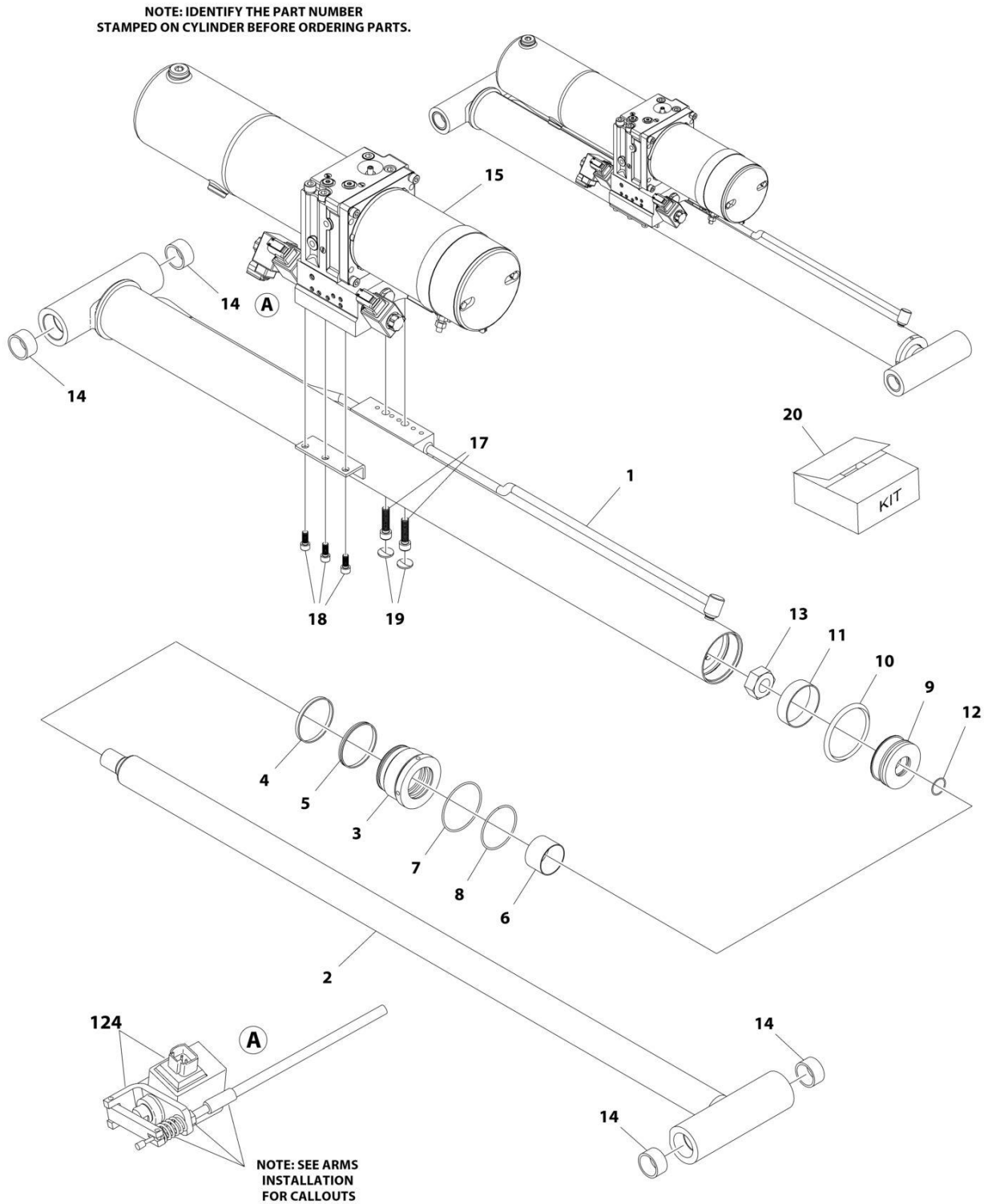
ITEM	PART NUMBER	QTY	DESCRIPTION	REV
	1001129288	Ref	LIFT CYLINDER ASSEMBLY - 1930ES WITH STANDARD HYDRAULIC OIL (SH-PAC)	E
		Ref	Note: Original Cylinder May Have Been Replaced with Service Replacement. Identify PN Stamped on Cylinder Before Ordering Parts.	
1	70004620	1	Barrel	
2	70004621	1	Rod	
3	70004622	1	Head, Cylinder	
4	See Note	NSS	Seal, Dust (Note: Use Item 20)	
5	See Note	NSS	Seal (Note: Use Item 20)	
6	70004237	1	Bearing	
7	See Note	NSS	O-Ring (Note: Use Item 20)	
8	See Note	NSS	O-Ring (Note: Use Item 20)	
9	70004623	1	Piston	
10	See Note	NSS	Seal (Note: Use Item 20)	
11	See Note	NSS	Ring, Wear (Note: Use Item 20)	
12	See Note	NSS	O-Ring (Note: Use Item 20)	
13	70003663	1	Nut	
14	0962257	4	Bushing	
15	70004938	1	Motor/Pump/Tank Assembly (See Items 102-121 for Breakdown)	
16	See Note	1	O-Ring (Note: Use Item 20)	
17	70004624	2	Capscrew M10 x 40	
18	70004625	3	Capscrew M8 x 20	
19	70004626	2	Plug, Extension	
20	70004627	1	Seal Kit - Cylinder (Includes Items 4, 5, 7, 8, 10, 11, 12 & 16)	
		Ref	MOTOR/PUMP/TANK ASSEMBLY	
	70004938	1	Motor/Pump/Tank Assembly	
102	70004914	1	O-Ring	
103	70004915	1	Cartridge, Valve (Main Relief)	
104	70004916	1	Cartridge, Valve (Breather Vacuum Check)	
105	70004917	1	Cartridge, Valve (Breather Pressure Check)	
106	70004970	1	Kit, Motor (Includes motor, flange and ring)	
107	70005233	1	Kit, Pump (Includes pump and hardware)	
108	70004974	4	Washer M8	
109	70004975	4	Capscrew M8 x 60	
110	70004973	1	Shaft Coupling	
111	70004925	2	O-Ring	
112	70003028	1	Cartridge, Solenoid Valve Less Coil (Steer)	
113	70004926	1	Cartridge, Solenoid Valve Less Coil (Lift)	
114	70004927	2	Cartridge, Valve (Steer Relief)	
115	70004585	1	Cartridge, Valve (Lift Check)	
116	70004928	1	Filter 300 micron	
117	70003707	3	Coil	
118	70004932	1	Pipe, Suction	
119	70004934	1	Pipe, Return	
120	70004935	1	Filter, Bypass	
121	70004936	3	O-Ring	
122	70005234	1	Kit, Tank (Includes tank, plug, "o"-ring and screws)	

SECTION 5 - CYLINDER

ITEM	PART NUMBER	QTY	DESCRIPTION	REV
123	70005235	1	Kit, Filter (Includes strainer and seal ring)	
124	70005236	1	Kit, Solenoid Valve (Includes solenoid, coil and lever)	
125	70005237	2	Kit, Fitting (Includes adapter, seal washer and plug)	
126	70004921	1	Plug	
127	70004654	1	Nut, Coil (for Item #112)	
128	70005238	1	Nut, Retaining (for Item #113)	
129	70004971	1	Kit, Brush	
130	70004972	1	Nut	

SECTION 5 - CYLINDER

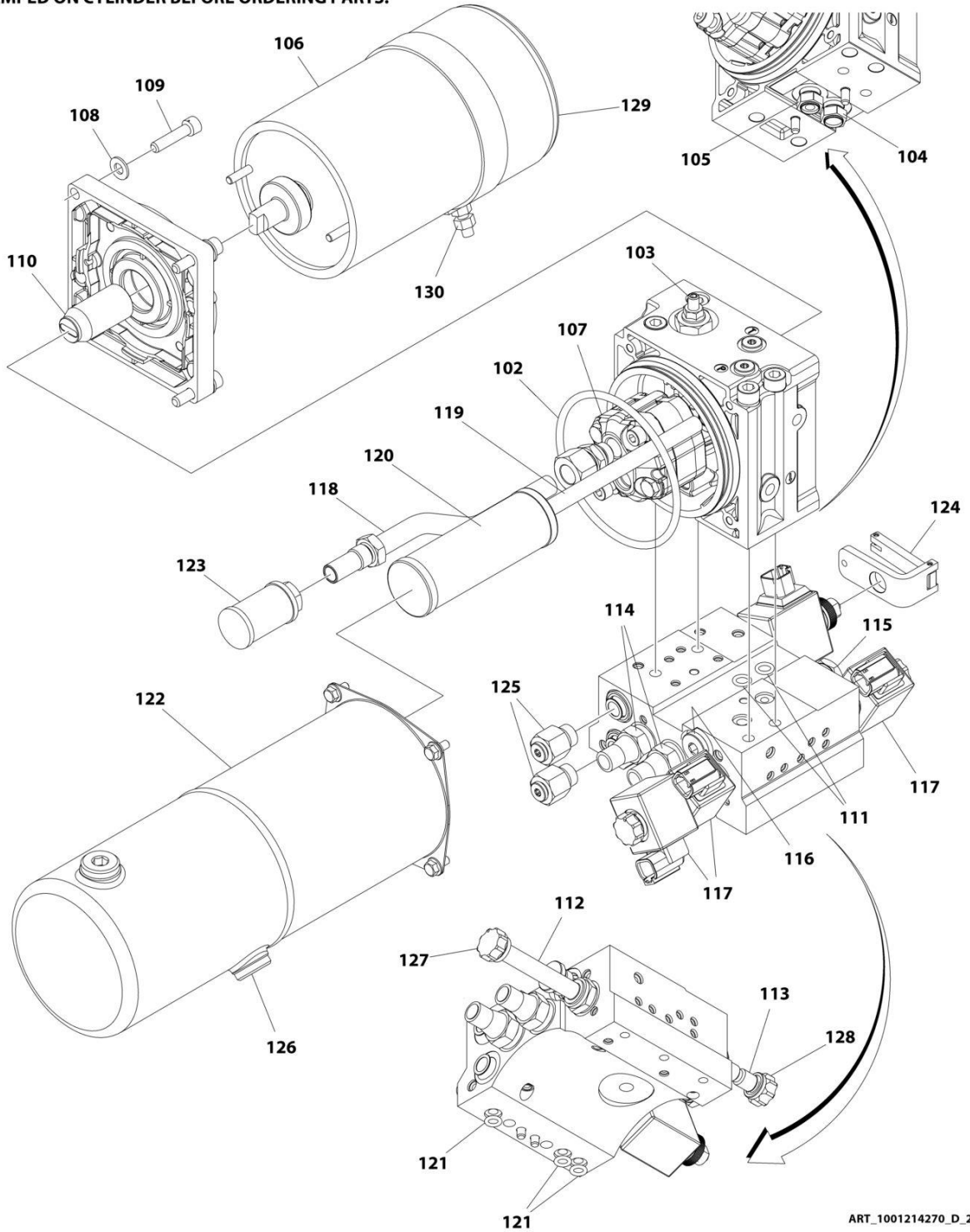
FIGURE 5-5. LIFT CYLINDER ASSEMBLY - 1930ES WITH STANDARD HYDRAULIC OIL (SH-PAC) (SN 0200258872 to Present, SN 1200025021 to Present, SN B200032101 to Present, SN M200003502 through M200040097)



ART_1001214270_D_10F2

SECTION 5 - CYLINDER

**NOTE: IDENTIFY THE PART NUMBER
STAMPED ON CYLINDER BEFORE ORDERING PARTS.**



ART_1001214270_D_20F2

SECTION 5 - CYLINDER

FIGURE 5-5. LIFT CYLINDER ASSEMBLY - 1930ES WITH STANDARD HYDRAULIC OIL (SH-PAC) (SN 0200258872 to Present, SN 1200025021 to Present, SN B200032101 to Present, SN M200003502 through M200040097)

ITEM	PART NUMBER	QTY	DESCRIPTION	REV
	1001214270	Ref	LIFT CYLINDER ASSEMBLY - 1930ES WITH STANDARD HYDRAULIC OIL (SH-PAC)	D
		Ref	Note: Original Cylinder May Have Been Replaced with Service Replacement. Identify PN Stamped on Cylinder Before Ordering Parts.	
1	70005975	1	Barrel	
2	70004621	1	Rod	
3	70004622	1	Head, Cylinder	
4	See Note	NSS	Seal, Dust (Note: Use Item 20)	
5	See Note	NSS	Seal (Note: Use Item 20)	
6	70004237	1	Bearing	
7	See Note	NSS	O-Ring (Note: Use Item 20)	
8	See Note	NSS	O-Ring (Note: Use Item 20)	
9	70004623	1	Piston	
10	See Note	NSS	Seal (Note: Use Item 20)	
11	See Note	NSS	Ring, Wear (Note: Use Item 20)	
12	See Note	NSS	O-Ring (Note: Use Item 20)	
13	70003663	1	Nut	
14	0962257	1	Bushing	
15	70004938	1	Motor/Pump/Tank Assembly (See Items 102-121 for Breakdown)	
16	See Note	1	O-Ring (Note: Use Item 20)	
17	70004624	2	Capscrew M10 x 40	
18	70004625	3	Capscrew M8 x 20	
19	70004626	2	Plug, Extension	
20	See Note	1	Seal Kit - Cylinder (Includes Items 4, 5, 7, 8, 10, 11, 12 & 16)	
		Ref	MOTOR/PUMP/TANK ASSEMBLY	
	70004938	1	Motor/Pump/Tank Assembly	
102	70004914	1	O-Ring	
103	70004915	1	Cartridge, Valve (Main Relief)	
104	70004916	1	Cartridge, Valve (Breather Vacuum Check)	
105	70004917	1	Cartridge, Valve (Breather Pressure Check)	
106	70004970	1	Kit, Motor (Includes motor, flange and ring)	
107	70005233	1	Kit, Pump (Includes pump and hardware)	
108	70004974	4	Washer M8	
109	70004975	4	Capscrew M8 x 60	
110	70004973	1	Shaft Coupling	
111	70004925	2	O-Ring	
112	70003028	1	Cartridge, Solenoid Valve Less Coil (Steer)	
113	70004926	1	Cartridge, Solenoid Valve Less Coil (Lift)	
114	70004927	2	Cartridge, Valve (Steer Relief)	
115	70004585	1	Cartridge, Valve (Lift Check)	
116	70004928	1	Filter 300 micron	
117	70003707	3	Coil	
118	70004932	1	Pipe, Suction	
119	70004934	1	Pipe, Return	
120	70004935	1	Filter, Bypass	
121	70004936	3	O-Ring	
122	70005234	1	Kit, Tank (Includes tank, plug, "o"-ring and screws)	

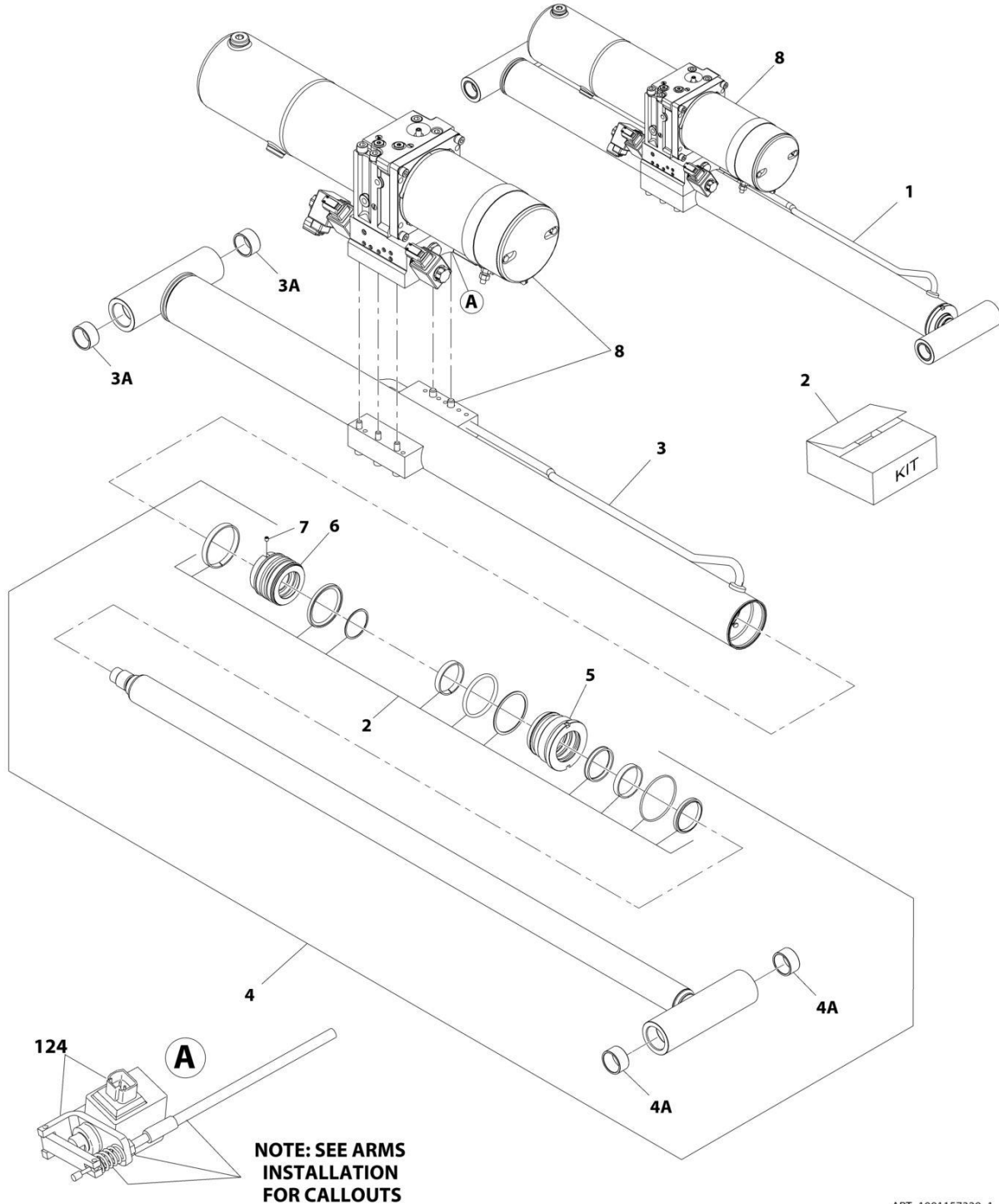
SECTION 5 - CYLINDER

ITEM	PART NUMBER	QTY	DESCRIPTION	REV
123	70005235	1	Kit, Filter (Includes strainer and seal ring)	
124	70005236	1	Kit, Solenoid Valve (Includes solenoid, coil and lever)	
125	70005237	2	Kit, Fitting (Includes adapter, seal washer and plug)	
126	70004921	1	Plug	
127	70004654	1	Nut, Coil (for Item #112)	
128	70005238	1	Nut, Retaining (for Item #113)	
129	70004971	1	Kit, Brush	
130	70004972	1	Nut	

SECTION 5 - CYLINDER

FIGURE 5-6. LIFT CYLINDER ASSEMBLY - 1930ES WITH BIODEGRADABLE HYDRAULIC OIL (SERTA)

NOTE: IDENTIFY THE PART NUMBER STAMPED ON CYLINDER BEFORE ORDERING PARTS.

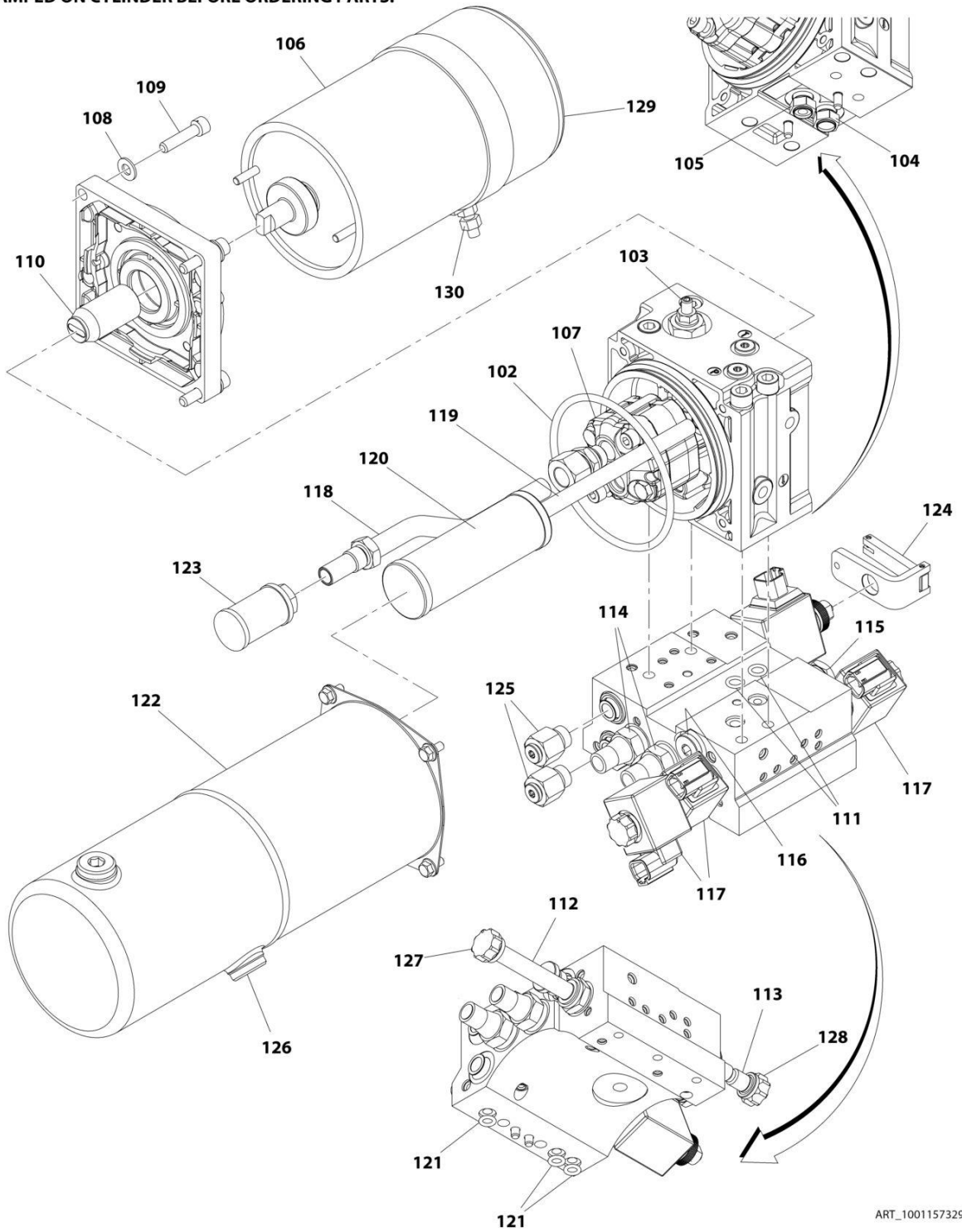


NOTE: SEE ARMS INSTALLATION FOR CALLOUTS

ART_1001157329_1

SECTION 5 - CYLINDER

**NOTE: IDENTIFY THE PART NUMBER
STAMPED ON CYLINDER BEFORE ORDERING PARTS.**



ART_1001157329_2

SECTION 5 - CYLINDER

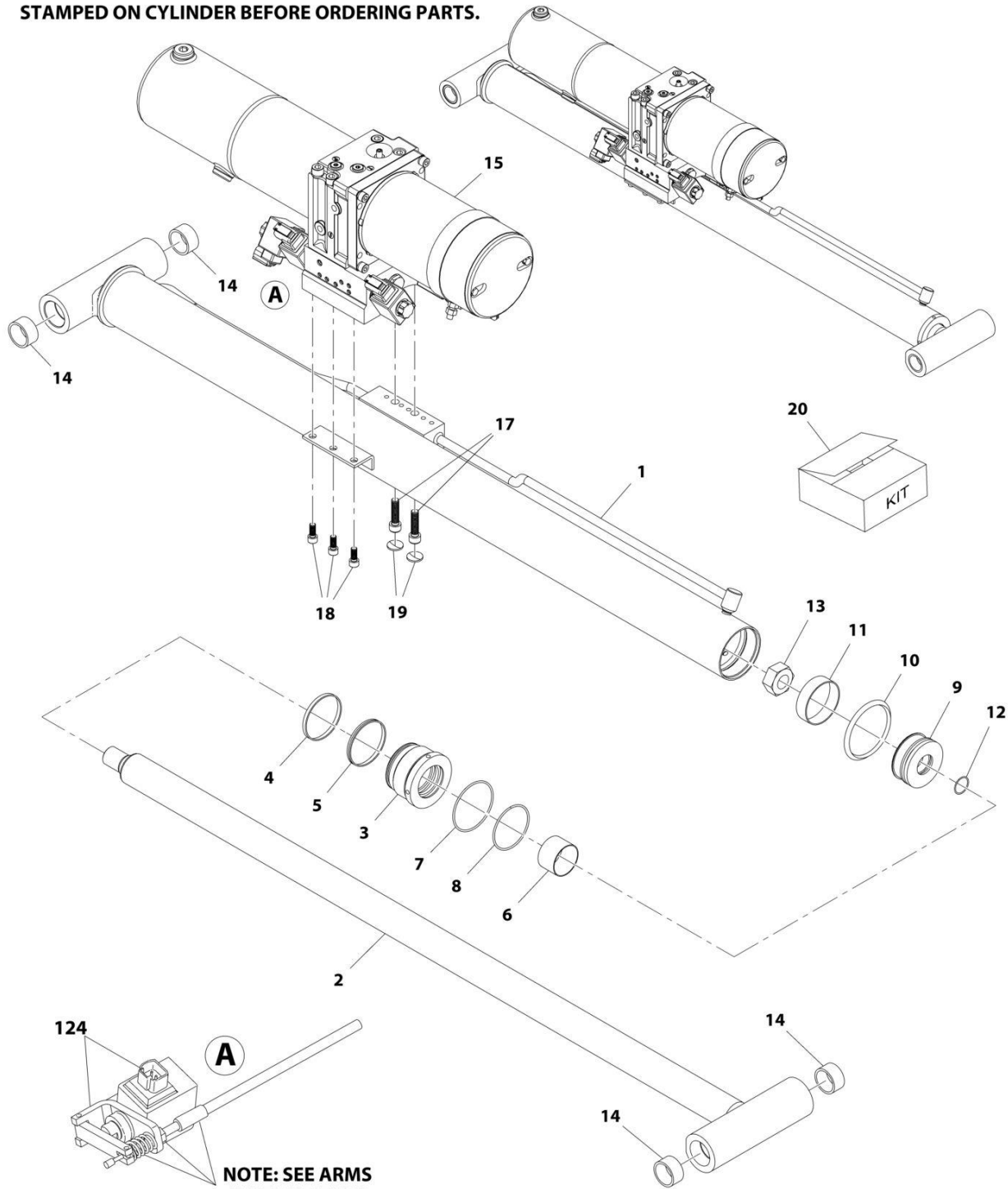
FIGURE 5-6. LIFT CYLINDER ASSEMBLY - 1930ES WITH BIODEGRADABLE HYDRAULIC OIL (SERTA)

ITEM	PART NUMBER	QTY	DESCRIPTION	REV
	1001157329	Ref	LIFT CYLINDER ASSEMBLY - 1930ES WITH BIODEGRADABLE HYDRAULIC OIL (SERTA)	F
		Ref	Note: Original Cylinder May Have Been Replaced with Service Replacement. Identify PN Stamped on Cylinder Before Ordering Parts.	
1	70004721	1	Cylinder Assembly Less Powerpack	
2	70004720	1	Seal Kit	
3	70004719	1	Barrel	
3A	0962257	2	Bushing	
4	70004718	1	Rod Assembly (Includes Items 2, 4A, 5, 6 & 7)	
4A	0962257	1	Bushing	
5	70006083	1	Head, Cylinder	
6	70006082	1	Piston	
7	70023915	1	Screw	
8	70004938	1	Motor/Pump/Tank Assembly (Includes Items 102-121)	
		Ref	MOTOR/PUMP/TANK ASSEMBLY	
	70004938	1	Motor/Pump/Tank Assembly	
102	70004914	1	O-Ring	
103	70004915	1	Cartridge, Valve (Main Relief)	
104	70004916	1	Cartridge, Valve (Breather Vacuum Check)	
105	70004917	1	Cartridge, Valve (Breather Pressure Check)	
106	70004970	1	Kit, Motor (Includes motor, flange and ring)	
107	70005233	1	Kit, Pump (Includes pump and hardware)	
108	70004974	4	Washer M8	
109	70004975	4	Capscrew M8 x 60	
110	70004973	1	Shaft Coupling	
111	70004925	2	O-Ring	
112	70003028	1	Cartridge, Solenoid Valve Less Coil (Steer)	
113	70004926	1	Cartridge, Solenoid Valve Less Coil (Lift)	
114	70004927	2	Cartridge, Valve (Steer Relief)	
115	70004585	1	Cartridge, Valve (Lift Check)	
116	70004928	1	Filter 300 micron	
117	70003707	3	Coil	
118	70004932	1	Pipe, Suction	
119	70004934	1	Pipe, Return	
120	70004935	1	Filter, Bypass	
121	70004936	3	O-Ring	
122	70005234	1	Kit, Tank (Includes tank, plug, "o"-ring and screws)	
123	70005235	1	Kit, Filter (Includes strainer and seal ring)	
124	70005236	1	Kit, Solenoid Valve (Includes solenoid, coil and lever)	
125	70005237	2	Kit, Fitting (Includes adapter, seal washer and plug)	
126	70004921	1	Plug	
127	70004654	1	Nut, Coil (for Item #112)	
128	70005238	1	Nut, Retaining (for Item #113)	
129	70004971	1	Kit, Brush	
130	70004972	1	Nut M8	

SECTION 5 - CYLINDER

FIGURE 5-7. LIFT CYLINDER ASSEMBLY - 1930ES WITH BIODEGRADABLE HYDRAULIC OIL (SH-PAC)

NOTE: IDENTIFY THE PART NUMBER STAMPED ON CYLINDER BEFORE ORDERING PARTS.

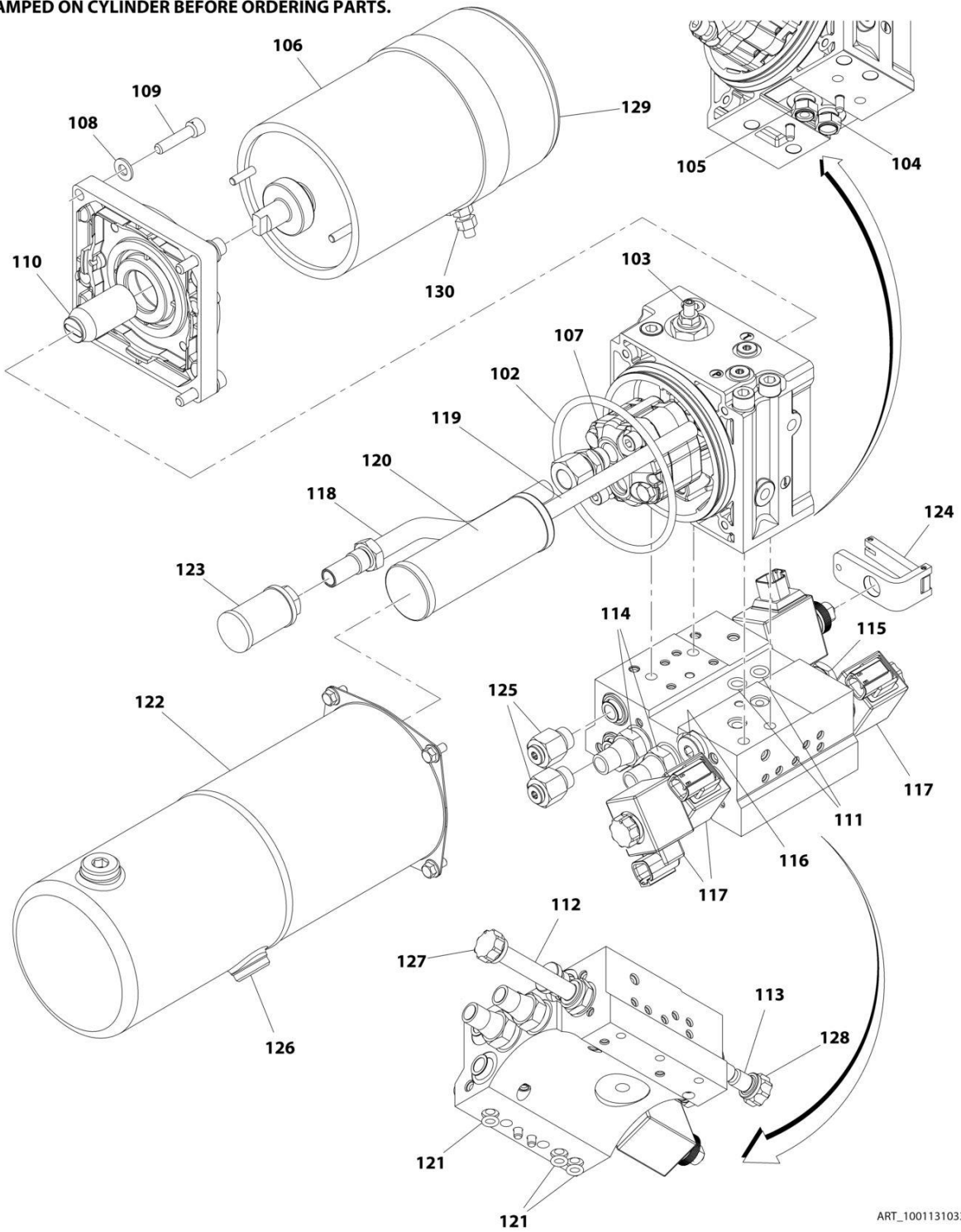


NOTE: SEE ARMS INSTALLATION FOR CALLOUTS

ART_1001131033_1

SECTION 5 - CYLINDER

NOTE: IDENTIFY THE PART NUMBER STAMPED ON CYLINDER BEFORE ORDERING PARTS.



ART_1001131033_2

SECTION 5 - CYLINDER

FIGURE 5-7. LIFT CYLINDER ASSEMBLY - 1930ES WITH BIODEGRADABLE HYDRAULIC OIL (SH-PAC)

ITEM	PART NUMBER	QTY	DESCRIPTION	REV
	1001131033	Ref	LIFT CYLINDER ASSEMBLY - 1930ES WITH BIODEGRADABLE HYDRAULIC OIL (SH-PAC)	H
		Ref	Note: Original Cylinder May Have Been Replaced with Service Replacement. Identify PN Stamped on Cylinder Before Ordering Parts.	
1	70004620	1	Barrel	
2	70004621	1	Rod	
3	70004622	1	Head, Cylinder	
4	See Note	NSS	Seal, Dust (Note: Use Item 20)	
5	See Note	NSS	Seal (Note: Use Item 20)	
6	70004237	1	Bearing	
7	See Note	NSS	O-Ring (Note: Use Item 20)	
8	See Note	NSS	O-Ring (Note: Use Item 20)	
9	70004623	1	Piston	
10	See Note	NSS	Seal (Note: Use Item 20)	
11	See Note	NSS	Ring, Wear (Note: Use Item 20)	
12	See Note	NSS	O-Ring (Note: Use Item 20)	
13	70003663	1	Nut	
14	0962257	4	Bushing	
15	70004938	1	Motor/Pump/Tank Assembly (See Items 102-121 for Breakdown)	
16	See Note	1	O-Ring (Note: Use Item 20)	
17	70004624	2	Capscrew M10 x 40	
18	70004625	3	Capscrew M8 x 20	
19	70004626	2	Plug, Extension	
20	70004627	1	Seal Kit - Cylinder (Includes Items 4, 5, 7, 8, 10, 11, 12 & 16)	
		Ref	MOTOR/PUMP/TANK ASSEMBLY	
	70004938	1	Motor/Pump/Tank Assembly	
102	70004914	1	O-Ring	
103	70004915	1	Cartridge, Valve (Main Relief)	
104	70004916	1	Cartridge, Valve (Breather Vacuum Check)	
105	70004917	1	Cartridge, Valve (Breather Pressure Check)	
106	70004970	1	Kit, Motor (Includes motor, flange and ring)	
107	70005233	1	Kit, Pump (Includes pump and hardware)	
108	70004974	4	Washer M8	
109	70004975	4	Capscrew M8 x 60	
110	70004973	1	Shaft Coupling	
111	70004925	2	O-Ring	
112	70003028	1	Cartridge, Solenoid Valve Less Coil (Steer)	
113	70004926	1	Cartridge, Solenoid Valve Less Coil (Lift)	
114	70004927	2	Cartridge, Valve (Steer Relief)	
115	70004585	1	Cartridge, Valve (Lift Check)	
116	70004928	1	Filter 300 micron	
117	70003707	3	Coil	
118	70004932	1	Pipe, Suction	
119	70004934	1	Pipe, Return	
120	70004935	1	Filter, Bypass	
121	70004936	3	O-Ring	
122	70005234	1	Kit, Tank (Includes tank, plug, "o"-ring and screws)	
123	70005235	1	Kit, Filter (Includes strainer and seal ring)	

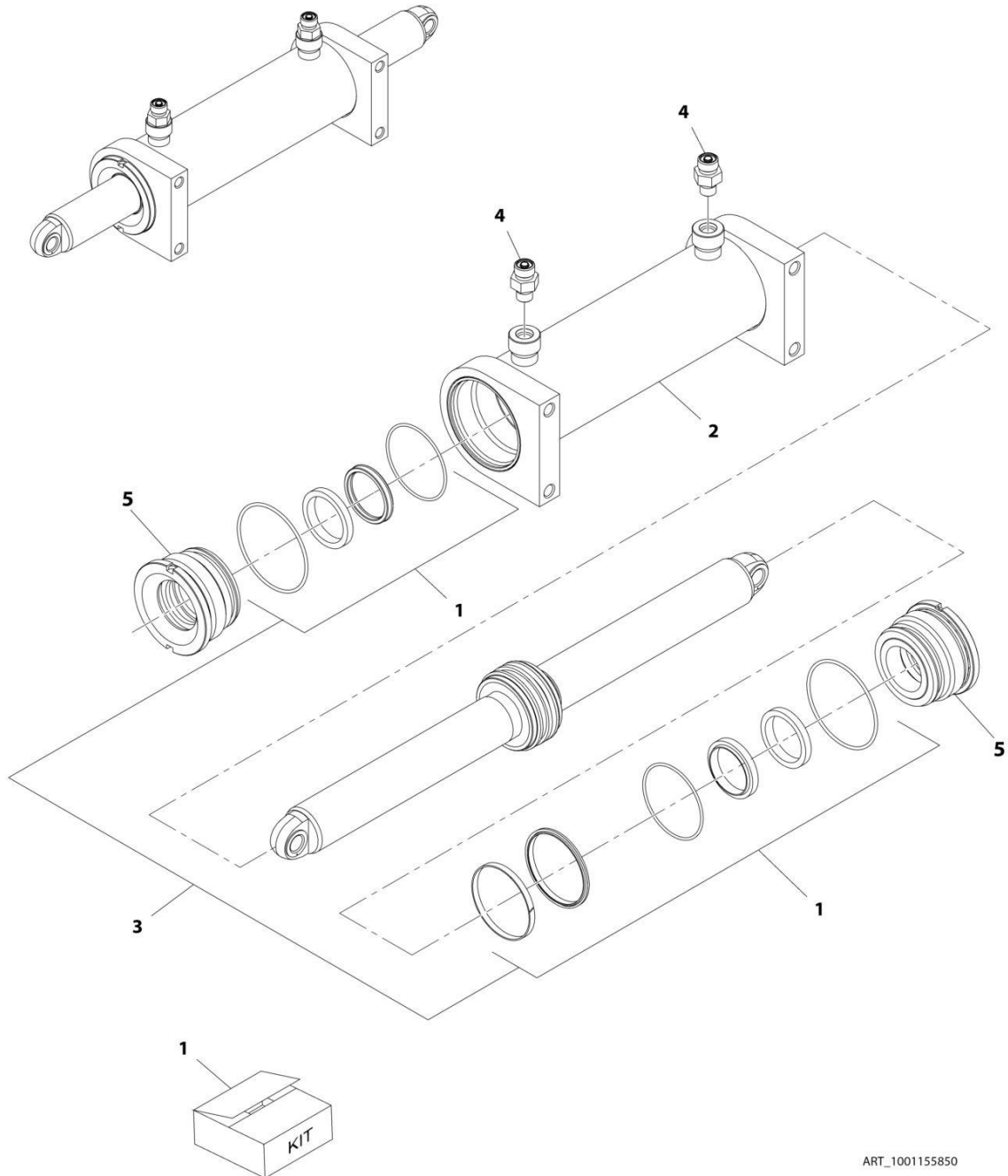
SECTION 5 - CYLINDER

ITEM	PART NUMBER	QTY	DESCRIPTION	REV
124	70005236	1	Kit, Solenoid Valve (Includes solenoid, coil and lever)	
125	70005237	2	Kit, Fitting (Includes adapter, seal washer and plug)	
126	70004921	1	Plug	
127	70004654	1	Nut, Coil (for Item #112)	
128	70005238	1	Nut, Retaining (for Item #113)	
129	70004971	1	Kit, Brush	
130	70004972	1	Nut	

SECTION 5 - CYLINDER

FIGURE 5-8. STEER CYLINDER ASSEMBLY (SERTA)

**NOTE: IDENTIFY THE PART NUMBER
STAMPED ON CYLINDER BEFORE ORDERING PARTS.**



ART_1001155850

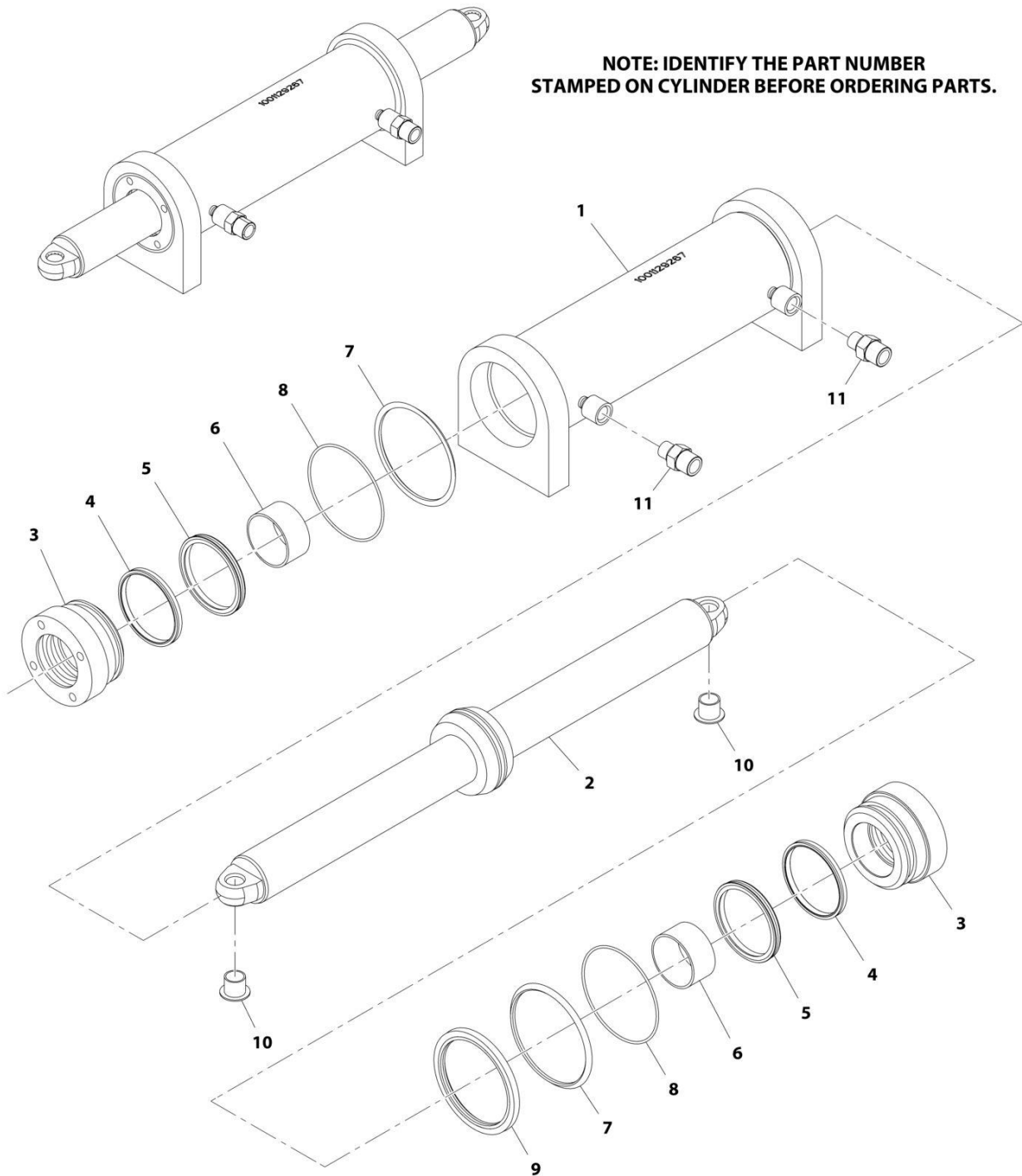
SECTION 5 - CYLINDER

FIGURE 5-8. STEER CYLINDER ASSEMBLY (SERTA)

ITEM	PART NUMBER	QTY	DESCRIPTION	REV
	1001155850	Ref	STEER CYLINDER ASSEMBLY (SERTA)	C
		Ref	Note: Original Cylinder May Have Been Replaced with Service Replacement. Identify PN Stamped on Cylinder Before Ordering Parts.	
1	70004779	1	Seal Kit - Cylinder	
2	70004781	1	Barrel, Cylinder	
3	70004780	1	Rod, Cylinder	
4	2110404	2	Fitting, Straight ORFS/ORB	
5	70006342	2	Head, Cylinder	

SECTION 5 - CYLINDER

FIGURE 5-9. STEER CYLINDER ASSEMBLY (SH-PAC)



ART_1001129267

SECTION 5 - CYLINDER

FIGURE 5-9. STEER CYLINDER ASSEMBLY (SH-PAC)

ITEM	PART NUMBER	QTY	DESCRIPTION	REV
	1001129267	Ref	STEER CYLINDER ASSEMBLY (SH-PAC)	C
		Ref	Note: Original Cylinder May Have Been Replaced with Service Replacement. Identify PN Stamped on Cylinder Before Ordering Parts.	
1	70004245	1	Barrel, Cylinder	
2	70004244	1	Rod, Cylinder	
3	70004241	2	Head, Cylinder	
4	See Note	NSS	Seal, Dust (Note: Use Item 12)	
5	See Note	NSS	Seal (Note: Use Item 12)	
6	See Note	NSS	Bearing (Note: Use Item 12)	
7	See Note	NSS	O-Ring (Note: Use Item 12)	
8	See Note	NSS	O-Ring (Note: Use Item 12)	
9	See Note	NSS	Seal (Note: Use Item 12)	
10	0440259	2	Bearing	
11	2110404	2	Fitting, Straight ORFS/ORB	
12	70004239	1	Seal Kit (Includes Items 4-9)	

SECTION 6 - HYDRAULIC

SECTION 6 - HYDRAULIC

FIGURE 6-1. HYDRAULIC DIAGRAM LIST

ITEM	PART NUMBER	QTY	DESCRIPTION	REV
		Ref	HYDRAULIC DIAGRAM LIST	
		Ref	Note: For hoses and fittings associated with steering, see Steering Installation.	
	2792599	Ref	Hydraulic Schematic - USA Built Machines (Not Shown - See Service Manual)	
	1001143663	Ref	Hydraulic Schematic - China Built Machines (Not Shown - See Service Manual)	

SECTION 7 - ELECTRICAL

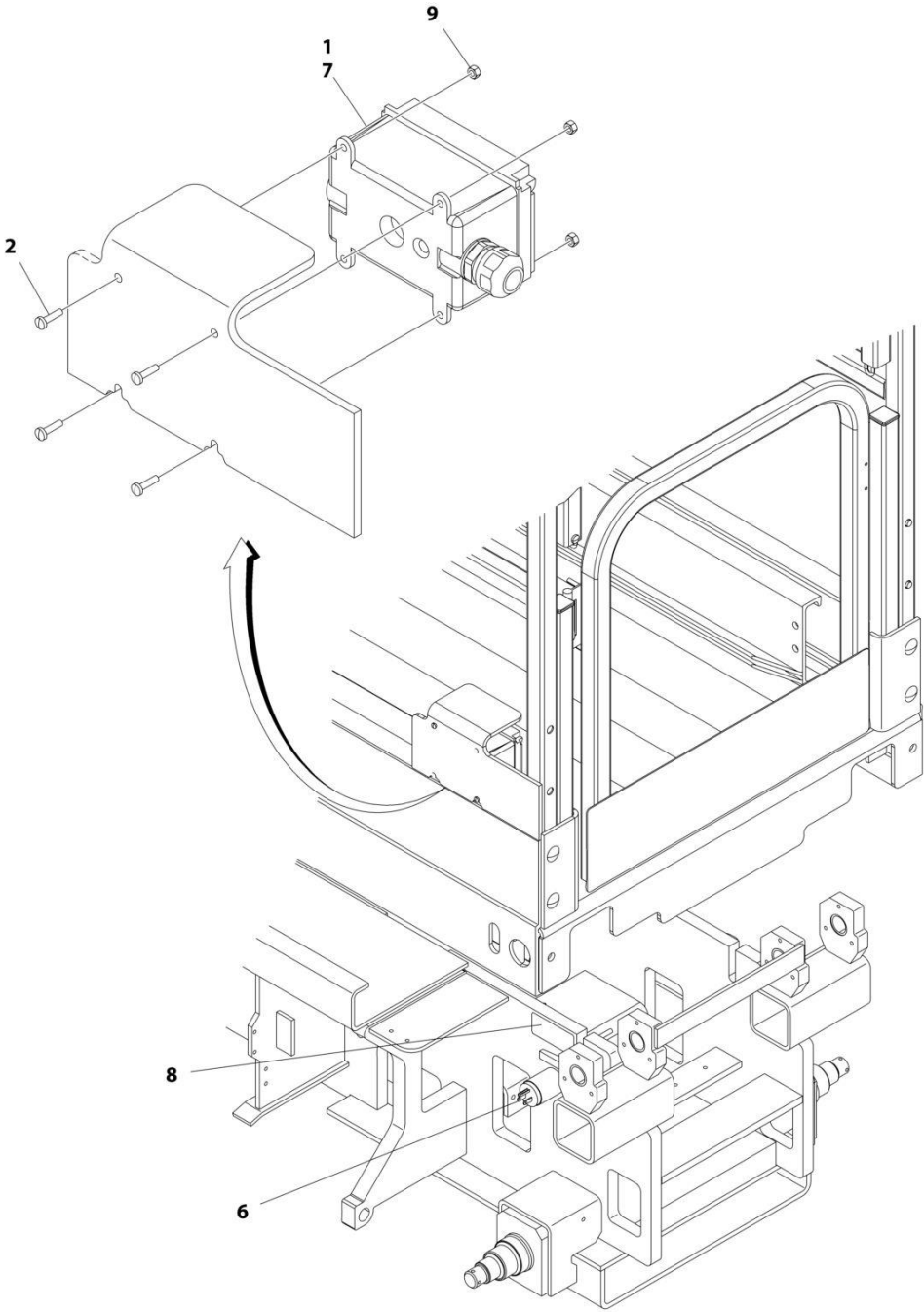
SECTION 7 - ELECTRICAL

FIGURE 7-1. ELECTRICAL DIAGRAM LIST

ITEM	PART NUMBER	QTY	DESCRIPTION	REV
		Ref	ELECTRICAL DIAGRAM LIST	
		Ref	Note: See Service Manual for schematic. For information on diagrams, contact JLG Service Parts Department.	
	0272839	Ref	AC Box at Platform Installation - 110V GFI	
	0275487	Ref	AC to Platform Electrical Diagram - 110 IEC Yellow (CE Spec Only)	
	0275488	Ref	AC to Platform Electrical Diagram - 220V IEC Blue (CE Spec Only)	
	0275486	Ref	AC to Platform Electrical Diagram - 220V AFSINT107 (CE Spec Only)	
	1001162447	Ref	AC to Platform Electrical Diagram - 220V CEE7 Side Ground (CE Spec Only)	
	1001162449	Ref	AC to Platform Electrical Diagram - 220V CEE7 Post Ground (CE Spec Only)	
	1001166759	Ref	Electrical Schematic (Not Shown - See Service Manual)	

SECTION 7 - ELECTRICAL

FIGURE 7-2. AC BOX AT PLATFORM INSTALLATION - 110V GFI



ART_0272839

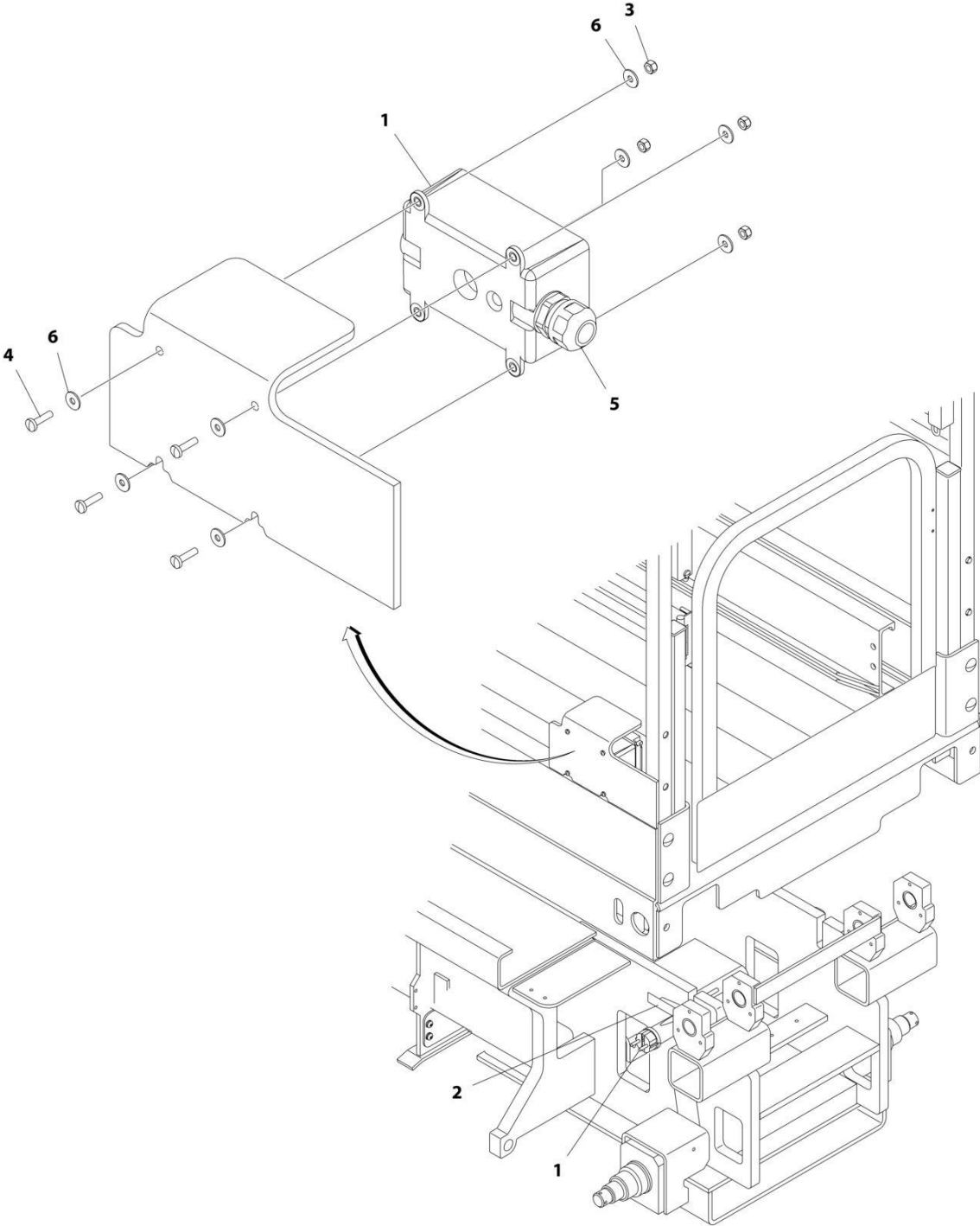
SECTION 7 - ELECTRICAL

FIGURE 7-2. AC BOX AT PLATFORM INSTALLATION - 110V GFI

ITEM	PART NUMBER	QTY	DESCRIPTION	REV
	0272839	Ref	AC BOX AT PLATFORM INSTALLATION - 110V GFI	I
1	2902431	1	Receptacle Box Kit - 110V GFI (See Separate Breakdown in this Section)	
2	4010408	4	Screw M4 x 16	
6	4460138	1	Plug, Male	
7	4460315	3	Terminal	
8	1703464	1	Decal - 120V-60Hz AC Power to Platform	
9	3290405	4	Nut M4	

SECTION 7 - ELECTRICAL

FIGURE 7-3. AC BOX AT PLATFORM INSTALLATION - 220V CEE7 SIDE (ANSI EXPORT SPEC ONLY)



ART_1001211593

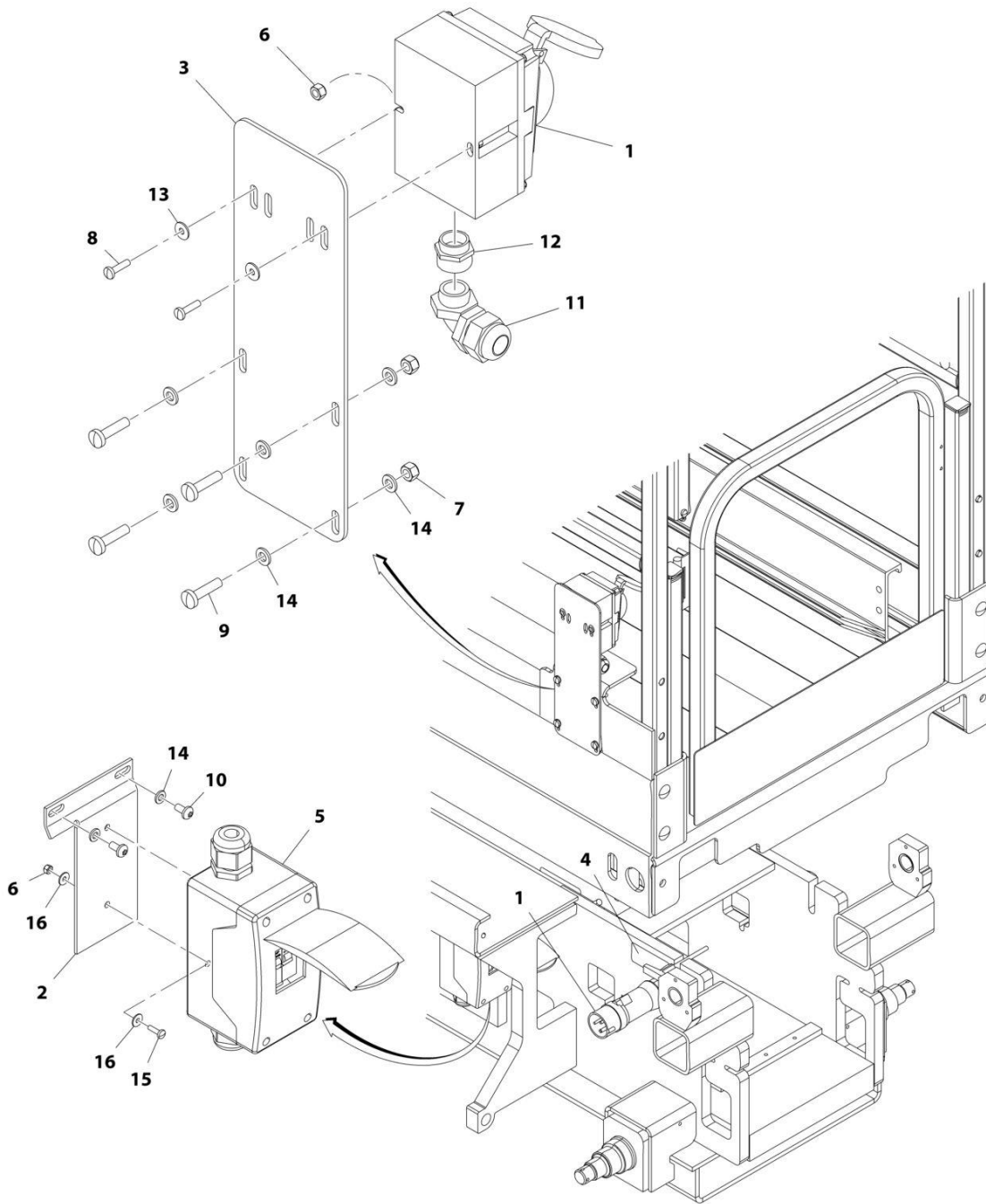
SECTION 7 - ELECTRICAL

FIGURE 7-3. AC BOX AT PLATFORM INSTALLATION - 220V CEE7 SIDE (ANSI EXPORT SPEC ONLY)

ITEM	PART NUMBER	QTY	DESCRIPTION	REV
	1001211593	Ref	AC BOX AT PLATFORM INSTALLATION - 220V CEE7 SIDE GRD	A
1	0275453	1	Receptacle Box Kit - 220V CEE7 Side Ground (See Separate Breakdown in this Section)	
2	3252507	1	Decal - 220V-50/60Hz	
3	3290405	4	Nut M4	
4	4010408	4	Screw M4 x 16	
5	4460662	1	Connector, Strain Relief	
6	1001091102	8	Washer M4	

SECTION 7 - ELECTRICAL

FIGURE 7-4. AC BOX AT PLATFORM INSTALLATION - 110V IEC YELLOW (CE SPEC ONLY)



ART_0275487

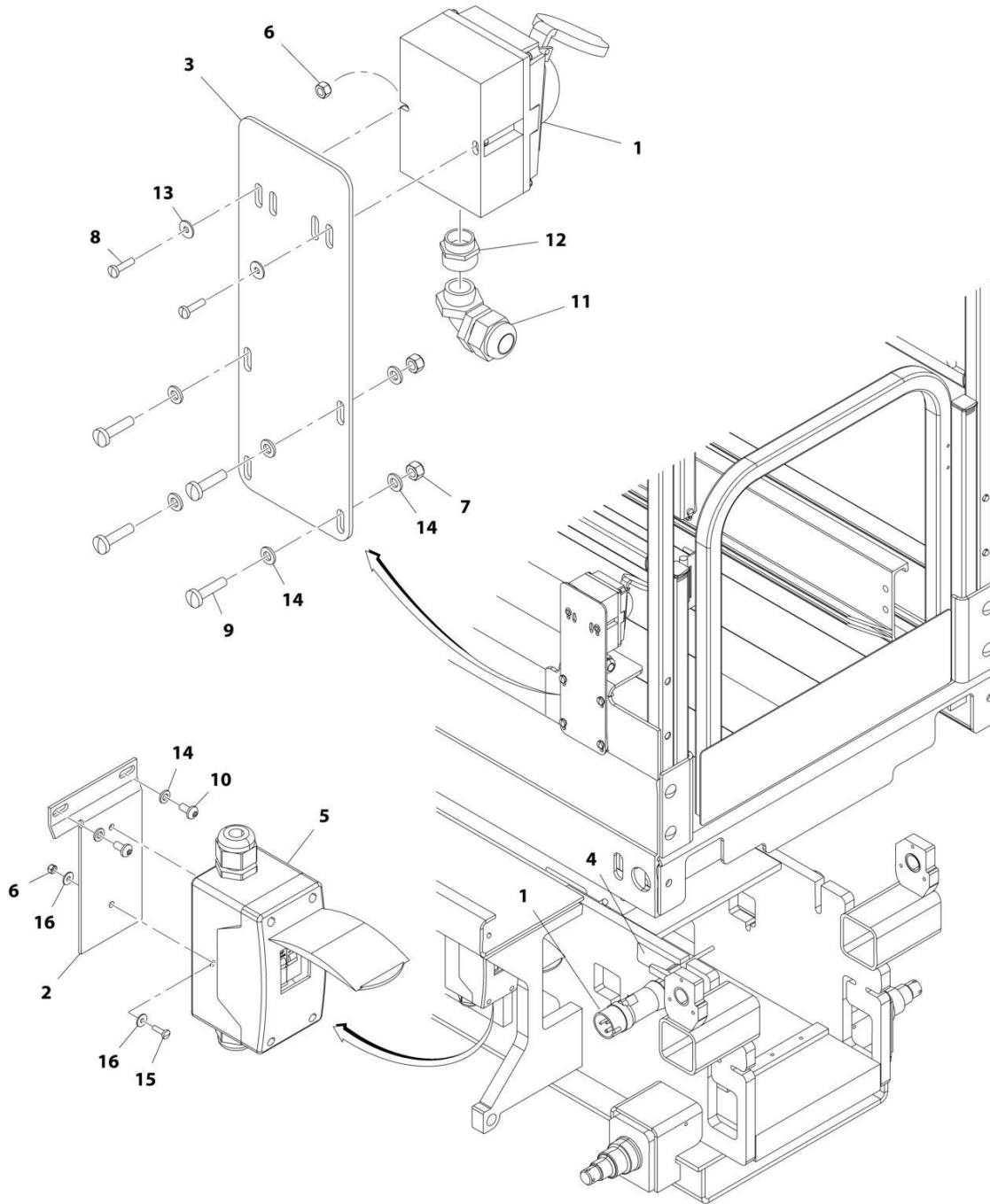
SECTION 7 - ELECTRICAL

FIGURE 7-4. AC BOX AT PLATFORM INSTALLATION - 110V IEC YELLOW (CE SPEC ONLY)

ITEM	PART NUMBER	QTY	DESCRIPTION	REV
	0275487	Ref	AC BOX AT PLATFORM INSTALLATION - 110V IEC YELLOW	E
1	0275216	1	Receptacle Box Kit - 110V IEC Yellow (See Separate Breakdown in this Section)	
2	0903566	1	Bracket	
3	0903569	1	Bracket	
4	1703464	1	Decal - 120V-60Hz	
5	2902541	1	Breaker Box Kit (See Separate Breakdown in this Section)	
6	3290405	4	Nut M4	
7	3290605	4	Nut M6	
8	4010408	2	Screw M4 x 16	
9	4010612	4	Screw M6 x 25	
10	4191706	2	Screw M6 x 12	
11	4461257	1	Connector, Strain Relief	
12	4461258	1	Adapter	
13	4811400	2	Washer M4	
14	4811700	10	Washer M6	
15	1001101540	2	Screw M4 x 14	
16	1001091102	4	Washer M4	

SECTION 7 - ELECTRICAL

FIGURE 7-5. AC BOX AT PLATFORM INSTALLATION - 220V IEC BLUE (CE SPEC ONLY)



ART_0275488

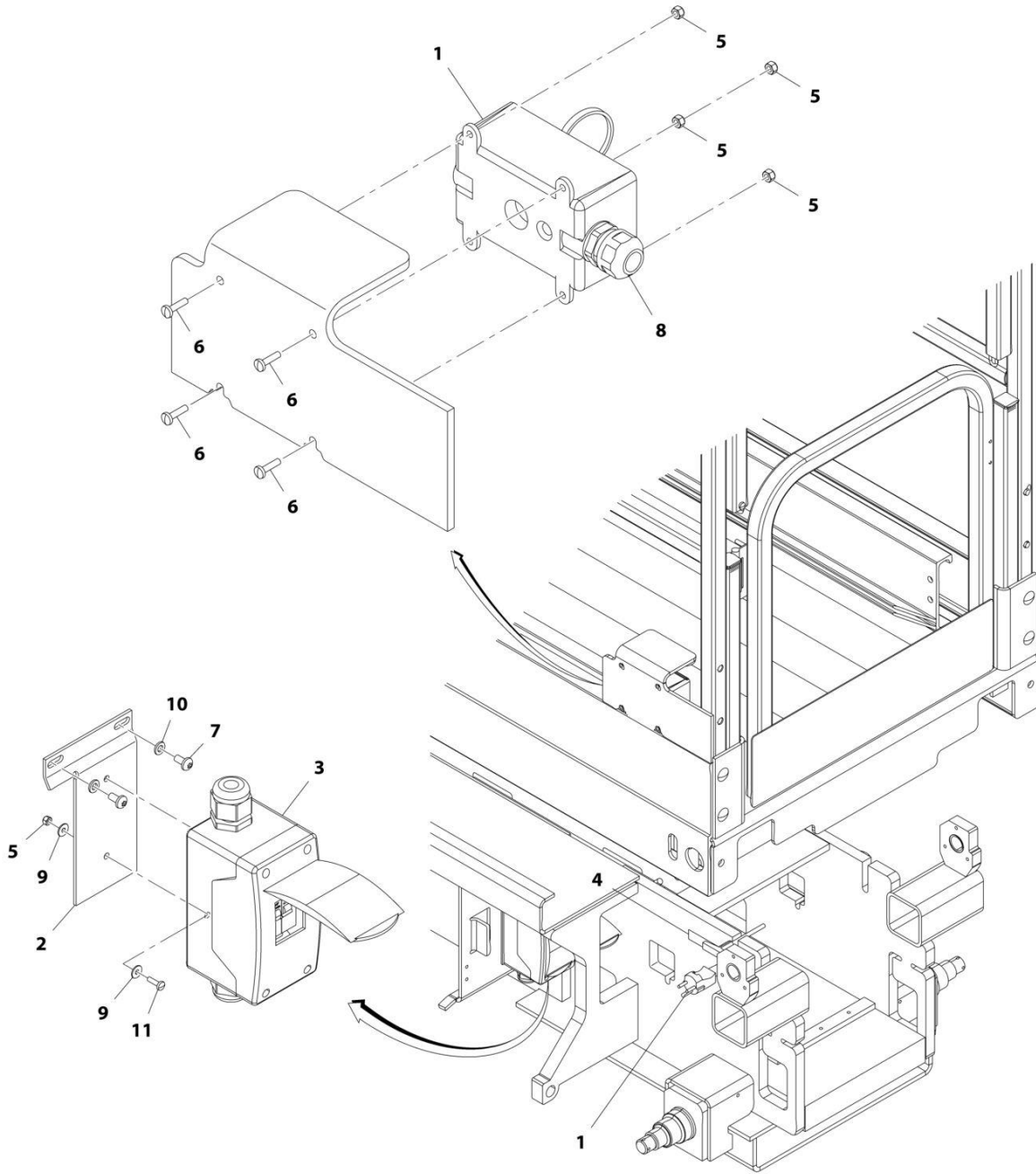
SECTION 7 - ELECTRICAL

FIGURE 7-5. AC BOX AT PLATFORM INSTALLATION - 220V IEC BLUE (CE SPEC ONLY)

ITEM	PART NUMBER	QTY	DESCRIPTION	REV
	0275488	Ref	AC BOX AT PLATFORM INSTALLATION - 220V IEC BLUE	E
1	0275217	1	Receptacle Box Kit - 220V IEC Blue (See Separate Breakdown in this Section)	
2	0903566	1	Bracket	
3	0903569	1	Bracket	
4	3252507	1	Decal - 220V-50/60Hz	
5	2902541	1	Breaker Box Kit (See Separate Breakdown in this Section)	
6	3290405	4	Nut M4	
7	3290605	4	Nut M6	
8	4010408	2	Screw M4 x 16	
9	4010612	4	Screw M6 x 25	
10	4191706	2	Screw M6 x 12	
11	4461257	1	Connector, Strain Relief	
12	4461258	1	Adapter	
13	4811400	2	Washer M4	
14	4811700	10	Washer M6	
15	1001101540	2	Screw M4 x 14	
16	1001091102	4	Washer M4	

SECTION 7 - ELECTRICAL

FIGURE 7-6. AC BOX AT PLATFORM INSTALLATION - 220V AFSINT107 (CE SPEC ONLY)



ART_0275486

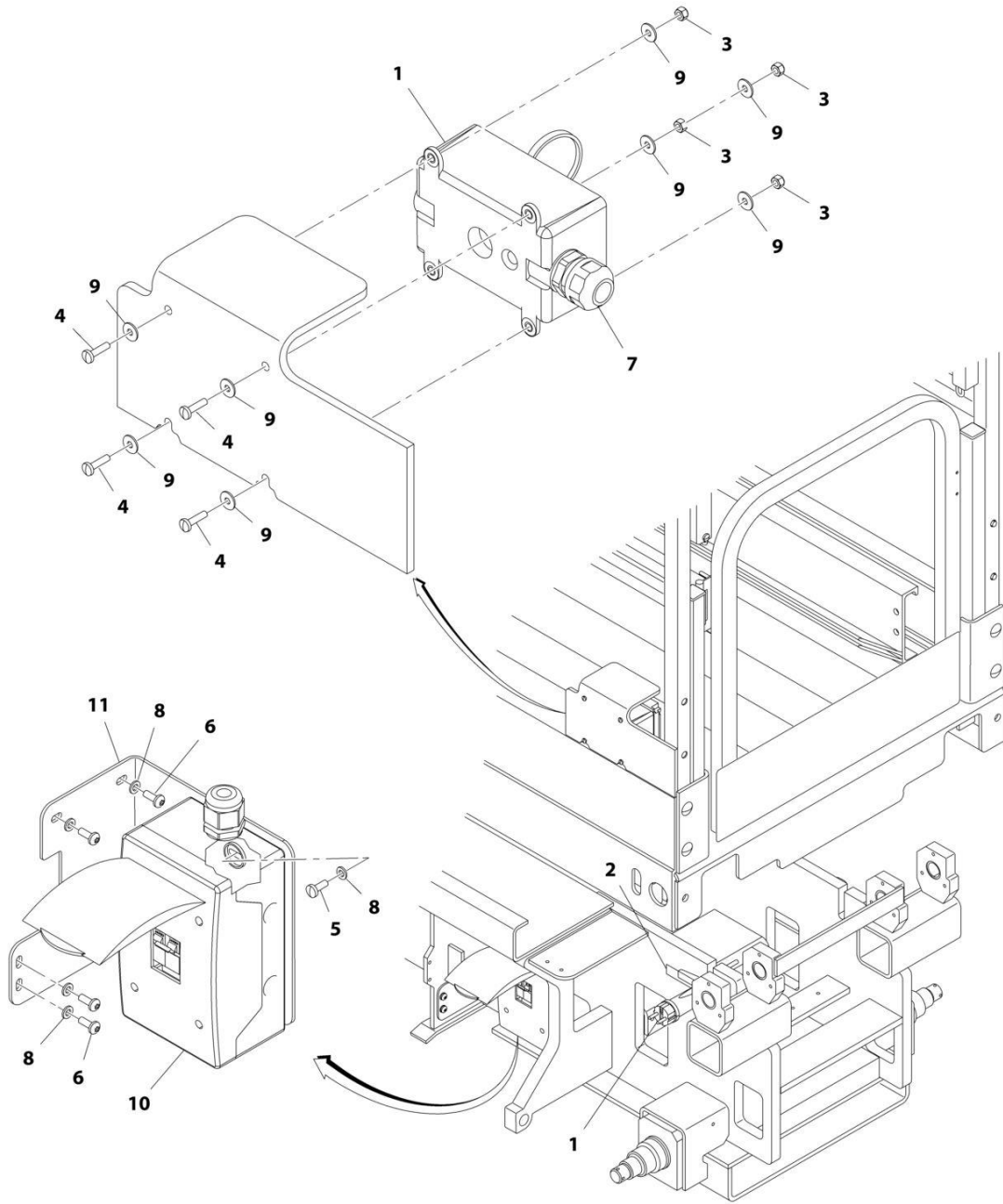
SECTION 7 - ELECTRICAL

FIGURE 7-6. AC BOX AT PLATFORM INSTALLATION - 220V AFSINT107 (CE SPEC ONLY)

ITEM	PART NUMBER	QTY	DESCRIPTION	REV
	0275486	Ref	AC BOX AT PLATFORM INSTALLATION - 220V AFSINT107	E
1	0275454	1	Receptacle Box Kit - 220V AFSINT107 (See Separate Breakdown in this Section)	
2	0903566	1	Bracket	
3	2902541	1	Breaker Box Kit (See Separate Breakdown in this Section)	
4	3252507	1	Decal - 220V/50-60Hz	
5	3290405	6	Nut M4	
6	4010408	4	Screw M4 x 16	
7	4191706	2	Screw M6 x 12	
8	4460662	1	Connector, Strain Relief	
9	1001091102	2	Washer M4	
10	4811700	2	Washer M6	
11	1001101540	2	Screw M4 x 14	

SECTION 7 - ELECTRICAL

FIGURE 7-7. AC BOX AT PLATFORM INSTALLATION - 220V CEE7 SIDE GRD (CE SPEC ONLY)



ART_1001162447

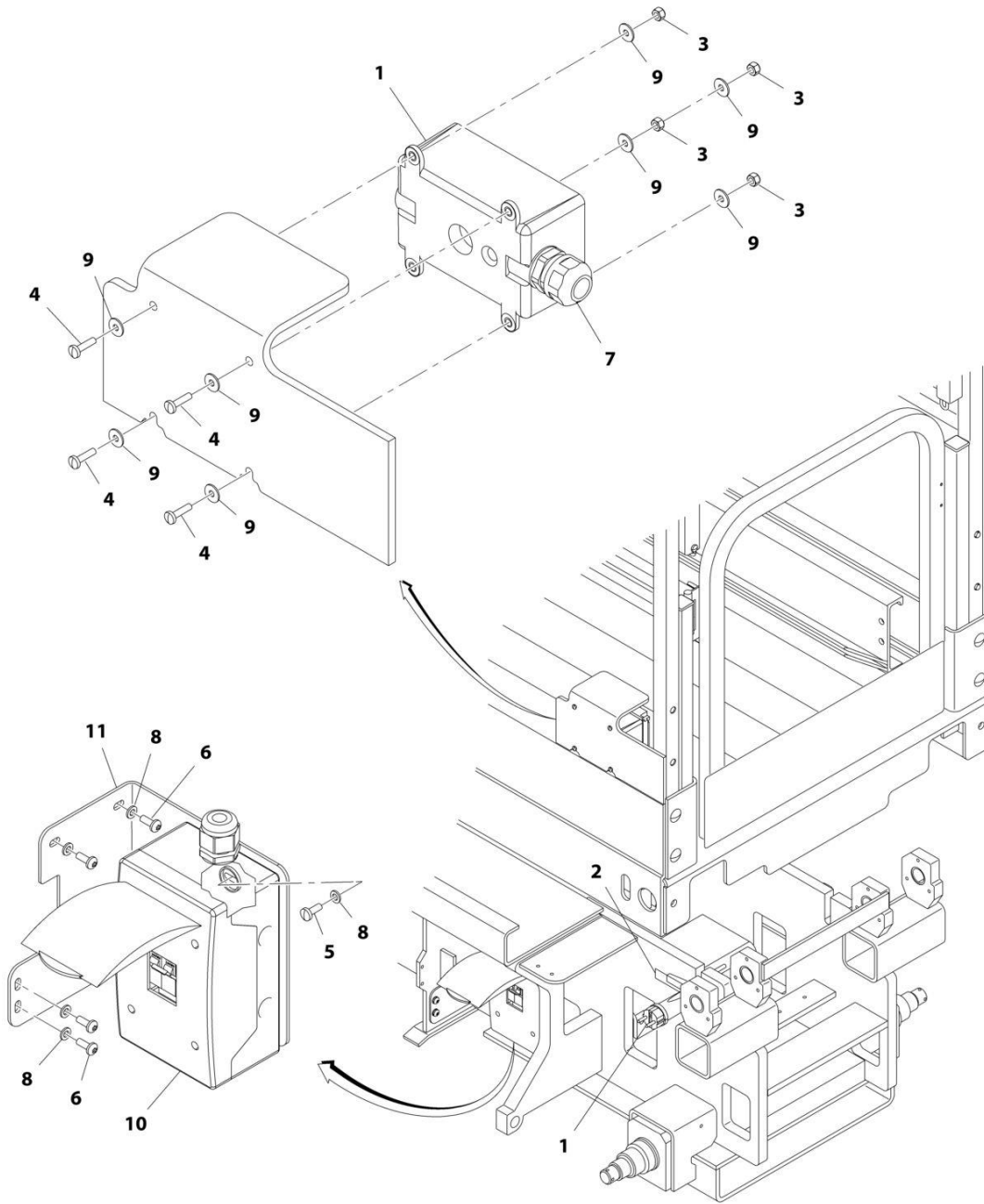
SECTION 7 - ELECTRICAL

FIGURE 7-7. AC BOX AT PLATFORM INSTALLATION - 220V CEE7 SIDE GRD (CE SPEC ONLY)

ITEM	PART NUMBER	QTY	DESCRIPTION	REV
	1001162447	Ref	AC BOX AT PLATFORM INSTALLATION - 220V CEE7 SIDE GRD	A
1	0275453	1	Receptacle Box Kit - 220V CEE7 Side Ground (See Separate Breakdown in this Section)	
2	3252507	1	Decal - 220V-50/60Hz	
3	3290405	4	Nut M4	
4	4010408	4	Screw M4 x 16	
5	4010608	2	Screw M6 x 16	
6	4191707	4	Screw M6 x 16	
7	4460662	1	Connector, Strain Relief	
8	4811700	10	Washer M6	
9	1001091102	8	Washer M4	
10	1001152485	1	Breaker Box Kit (See Separate Breakdown in this Section)	
11	1001162362	1	Bracket	

SECTION 7 - ELECTRICAL

FIGURE 7-8. AC BOX AT PLATFORM INSTALLATION - 220V CEE7 POST GRD (CE SPEC ONLY)



ART_1001162449

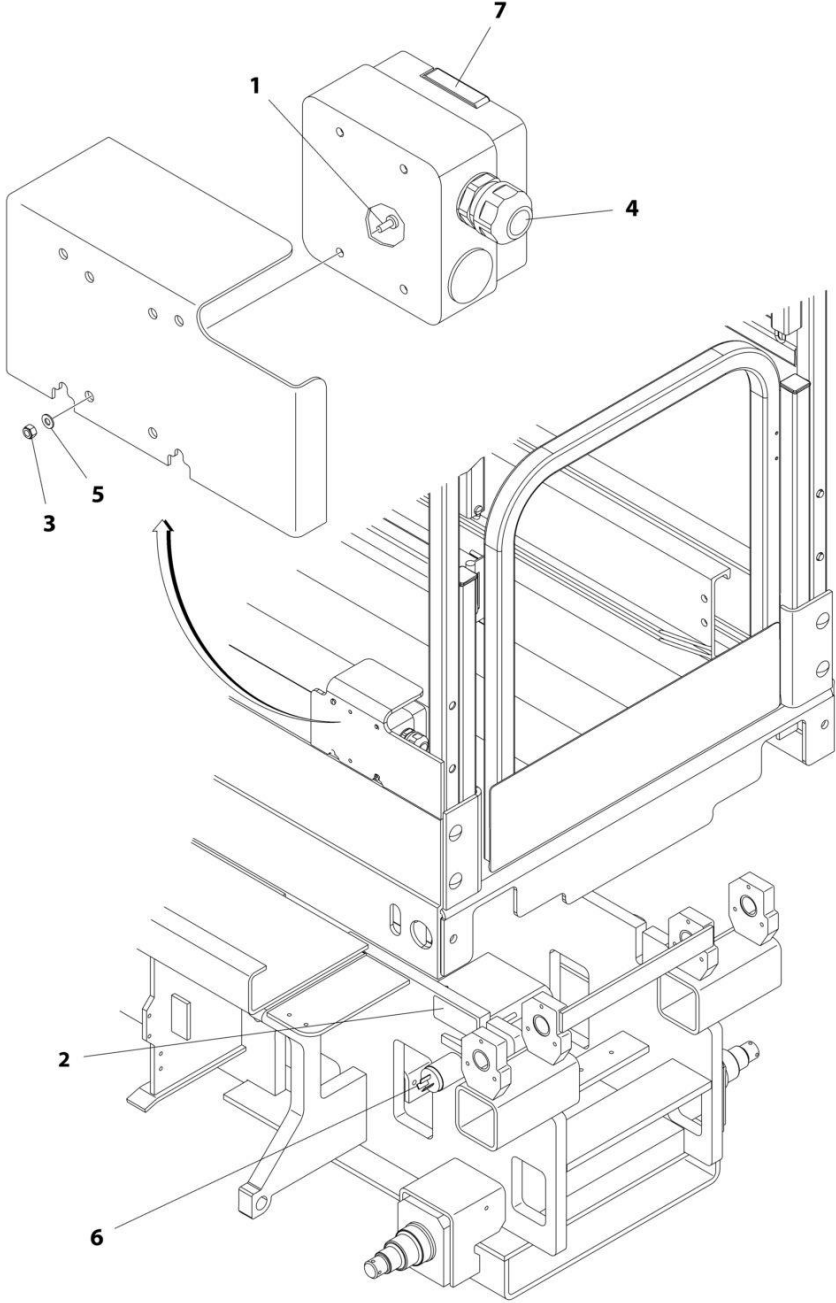
SECTION 7 - ELECTRICAL

FIGURE 7-8. AC BOX AT PLATFORM INSTALLATION - 220V CEE7 POST GRD (CE SPEC ONLY)

ITEM	PART NUMBER	QTY	DESCRIPTION	REV
	1001162449	Ref	AC BOX AT PLATFORM INSTALLATION - 220V CEE7 POST GRD	A
1	0275452	1	Receptacle Box Kit - 220V CEE7 Post Ground (See Separate Breakdown in this Section)	
2	3252507	1	Decal - 220V-50/60Hz	
3	3290405	4	Nut M4	
4	4010408	4	Screw M4 x 16	
5	4010608	2	Screw M6 x 16	
6	4191706	4	Screw M6 x 12	
7	4460662	1	Connector, Strain Relief	
8	4811700	6	Washer M6	
9	1001091102	8	Washer M4	
10	1001152485	1	Breaker Box Kit (See Separate Breakdown in this Section)	
11	1001162362	1	Bracket	

SECTION 7 - ELECTRICAL

FIGURE 7-9. AC BOX AT PLATFORM INSTALLATION - 220V (CHINESE SPEC ONLY)



ART_1001198711

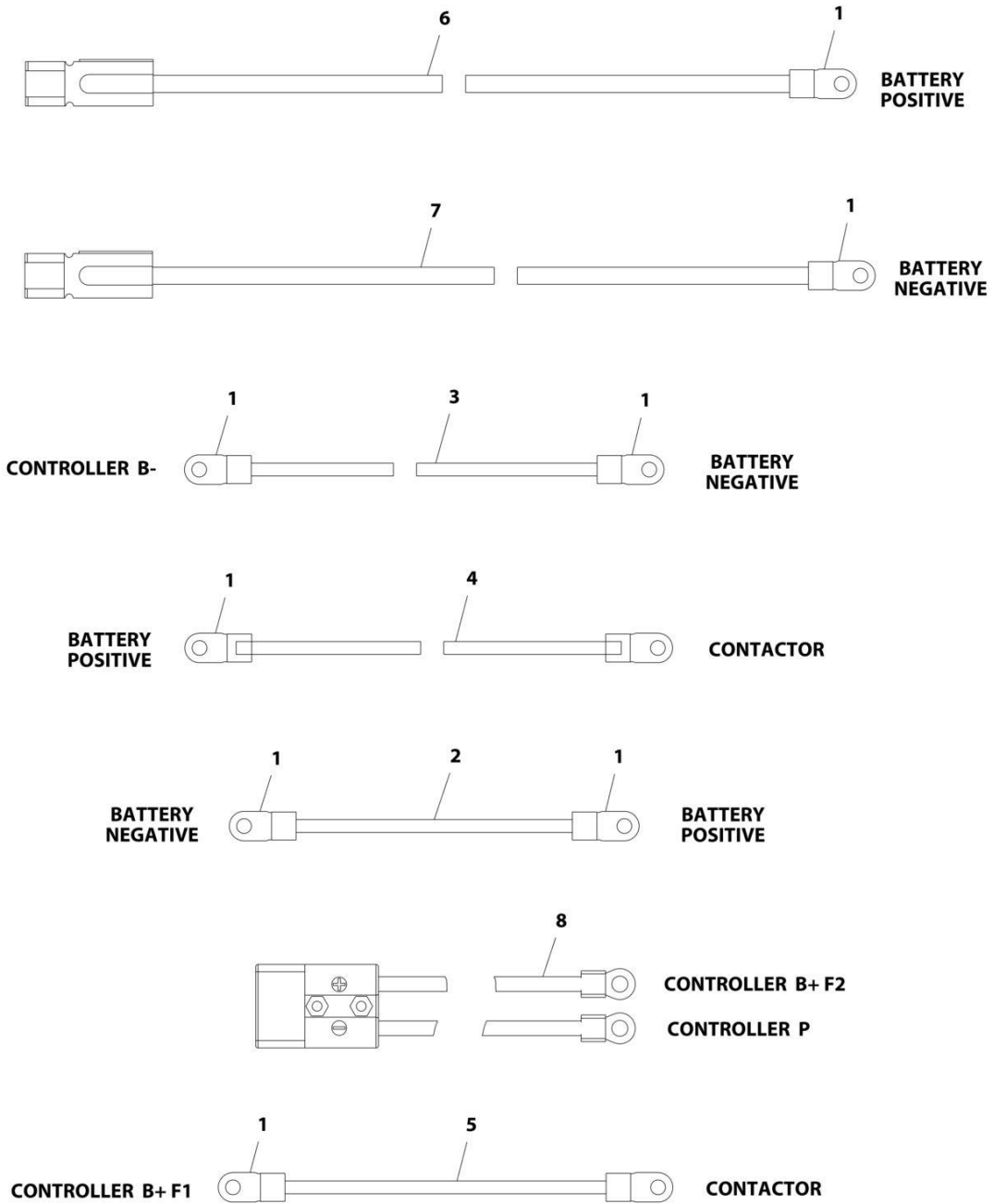
SECTION 7 - ELECTRICAL

FIGURE 7-9. AC BOX AT PLATFORM INSTALLATION - 220V (CHINESE SPEC ONLY)

ITEM	PART NUMBER	QTY	DESCRIPTION	REV
	1001198711	Ref	AC BOX AT PLATFORM INSTALLATION - 220V	A
1	4010405	4	Screw M4 X 10	
2	3252507	1	Decal - 220V-50/60Hz	
3	3290405	4	Nut M4	
4	4460968	1	Connector, Strain Relief	
5	4811400	4	Washer M4	
6	1001187816	1	Plug	
7	1001188116	1	Box, Receptacle	

SECTION 7 - ELECTRICAL

FIGURE 7-10. BATTERY CABLE KIT



ART_1001178535

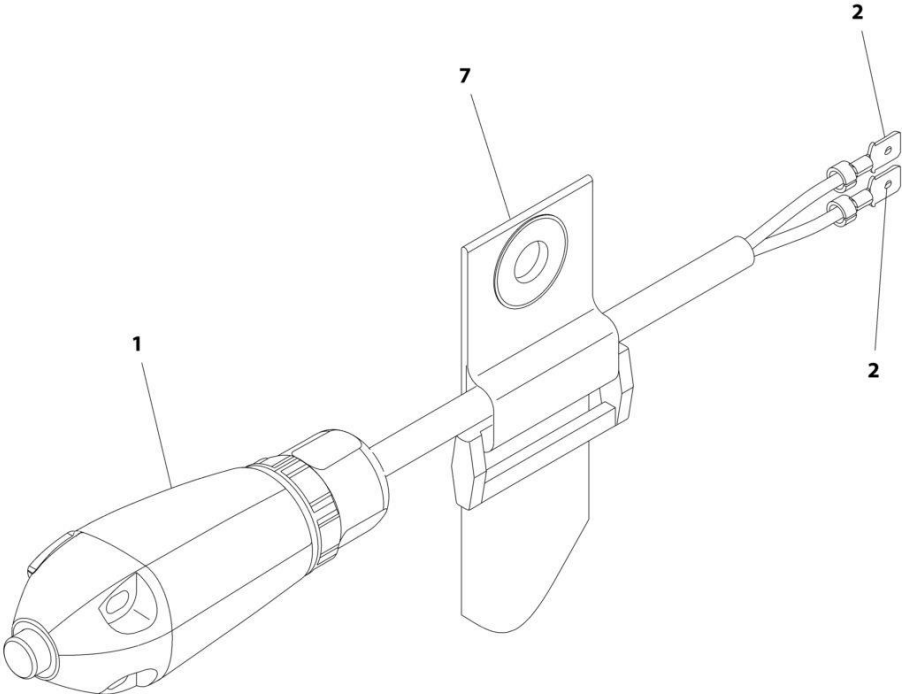
SECTION 7 - ELECTRICAL

FIGURE 7-10. BATTERY CABLE KIT

ITEM	PART NUMBER	QTY	DESCRIPTION	REV
	1001178535	Ref	BATTERY CABLE KIT	E
1	0840060	8	Boot, Terminal	
2	1060998	2	Cable, Battery	
3	4923367	1	Cable, Negative to Controller	
4	4923374	1	Cable, B Positive to Contactor	
5	1001114992	1	Cable, Battery	
6	1001178532	1	Cable, Battery	
7	1001178533	1	Cable, Battery	
8	1001178534	1	Cable, Pump Power	

SECTION 7 - ELECTRICAL

FIGURE 7-11. BRAKE DISCONNECT HARNESS



ART_4922944

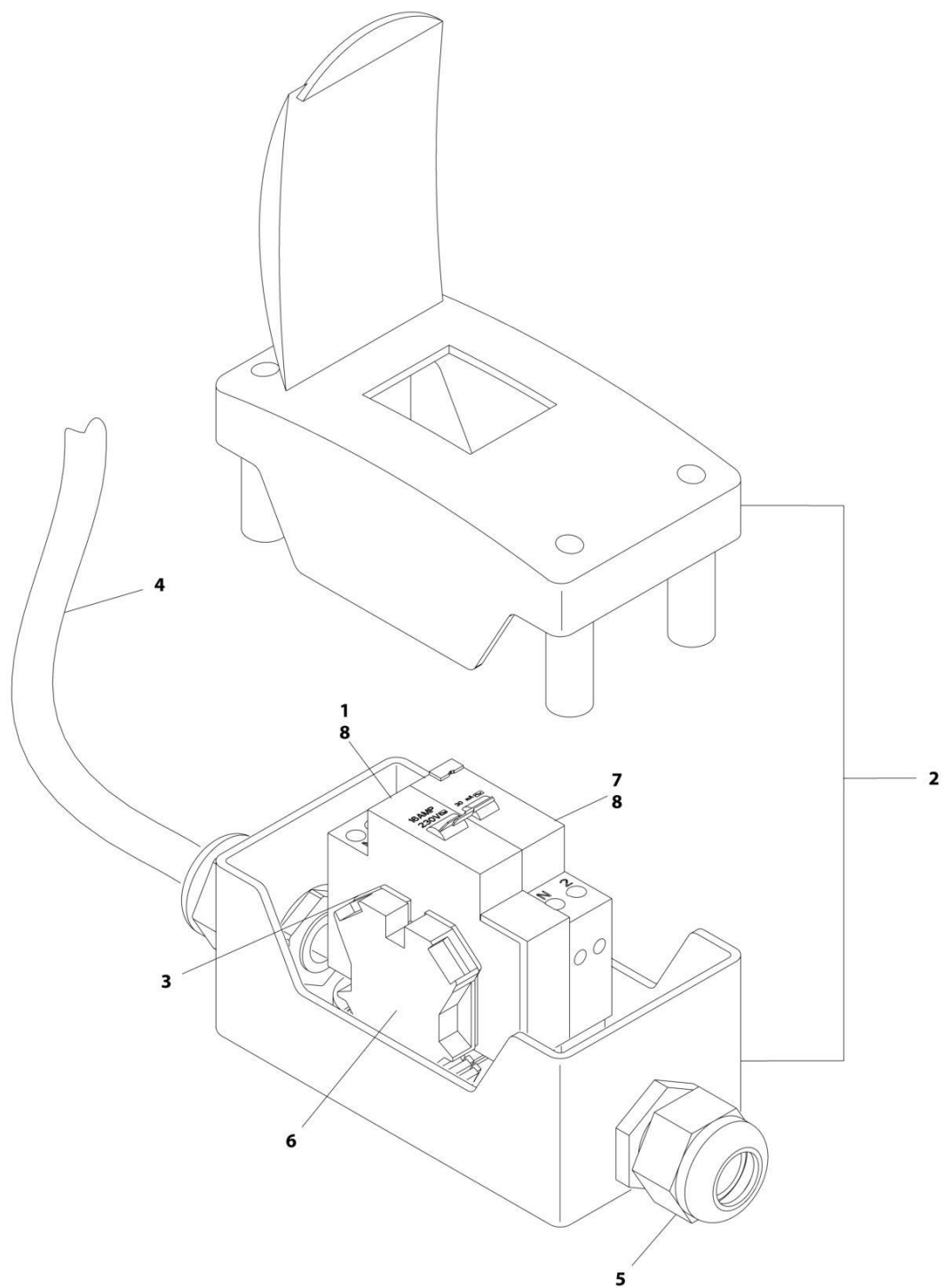
SECTION 7 - ELECTRICAL

FIGURE 7-11. BRAKE DISCONNECT HARNESS

ITEM	PART NUMBER	QTY	DESCRIPTION	REV
	4922944	Ref	BRAKE DISCONNECT HARNESS	F
1	4360613	1	Switch, Push Button Limit	
2	4461002	2	Terminal	
7	4240003	1	Strap, Cinch	

SECTION 7 - ELECTRICAL

FIGURE 7-12. BREAKER BOX KIT WITH TWO BREAKERS (CE SPEC ONLY)



ART_2902541

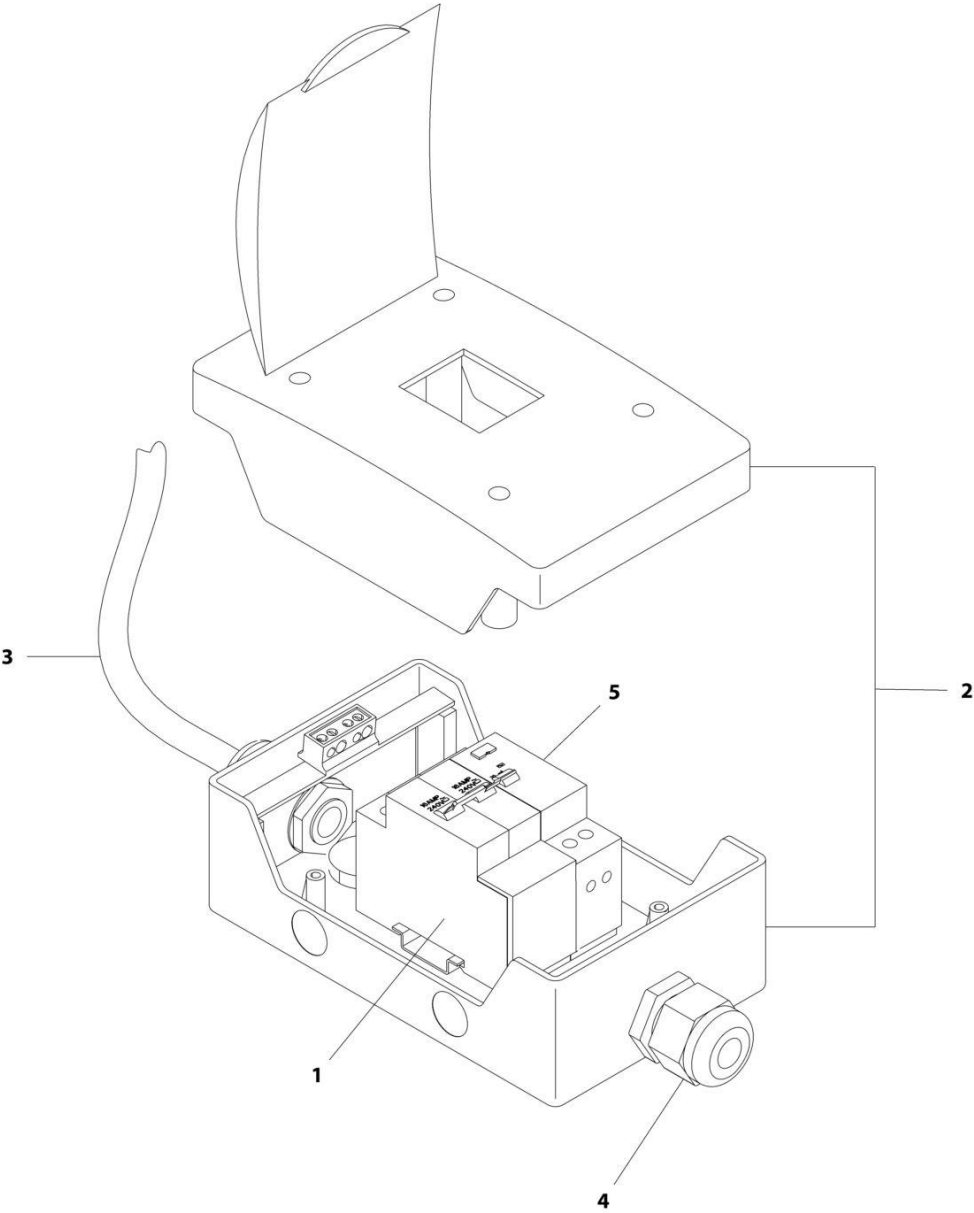
SECTION 7 - ELECTRICAL

FIGURE 7-12. BREAKER BOX KIT WITH TWO BREAKERS (CE SPEC ONLY)

ITEM	PART NUMBER	QTY	DESCRIPTION	REV
	2902541	Ref	BREAKER BOX KIT WITH TWO BREAKERS - CE SPEC ONLY	G
1	1001109475	NLA	Breaker, 16 Amp (Use p/n 1001181045) (SN 0200239382 through 0200245768)	
1	1001109475	NLA	Breaker, 16 Amp (Use p/n 1001181045) (SN B200020297 through B200022928)	
2	0861880	1	Box	
3	4460956	1	Barrier, Terminal	
4	1060908	4.6 ft /1.4m	Cable, 12/3	
5	1001097150	2	Connector, Strain Relief	
6	4460957	1	Block, Terminal	
7	1001109482	NLA	Breaker, 30mA (Use p/n 1001181045) (SN 0200239382 through 0200245768)	
7	1001109482	NLA	Breaker, 30mA (Use p/n 1001181045) (SN B200020297 through B200022928)	
8	1001181045	1	Breaker, 16A/30mA Combination (SN 0200245769 to Present, SN 1200025021 to Present, SN B200022929 to Present, SN M200000100 through M200040097)	

SECTION 7 - ELECTRICAL

FIGURE 7-13. BREAKER BOX KIT WITH THREE BREAKERS (CE SPEC ONLY)



ART_1001152485

SECTION 7 - ELECTRICAL

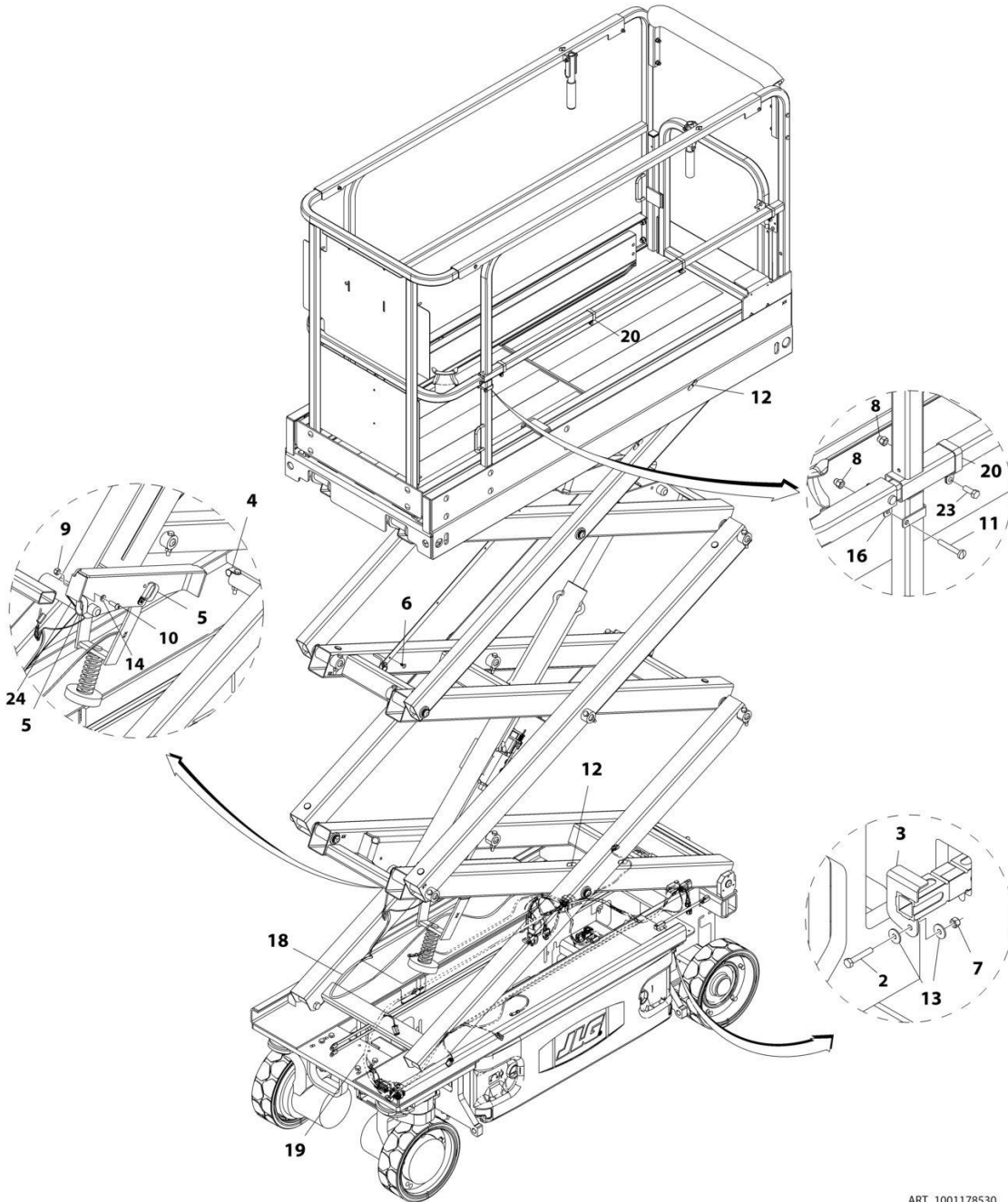
FIGURE 7-13. BREAKER BOX KIT WITH THREE BREAKERS (CE SPEC ONLY)

ITEM	PART NUMBER	QTY	DESCRIPTION	REV
1	1001152485	Ref	BREAKER BOX KIT WITH THREE BREAKERS - CE SPEC ONLY	D
	1001152479	NLA		
1	1001189172	1	Breaker 16 Amp Double (Use p/n 1001189172) (SN 0200239382 through 0200248240, SN B200020297 through B200024248, SN M200000100 through M200000139)	
2	1001152483	1	Box	
3	1060908	6 ft/1.8m	Cable, 12/3	
4	1001097150	2	Connector, Strain Relief	
5	1001152482	NLA	Breaker, 30mA (Use p/n 1001189171) (SN 0200239382 through 0200248240, SN B200020297 through B200024248, SN M200000100 through M200000139)	
5	1001189171	1		Breaker, 30mA (SN 0200248241 to Present, SN 1200025021 to Present, SN B200024249 to Present, SN M200000140 through M200040097)

SECTION 7 - ELECTRICAL

FIGURE 7-14. CABLES INSTALLATION

NOTE : SEE USAGE CHART ON PARTS LIST BEFORE ORDERING PARTS.



ART_1001178530

SECTION 7 - ELECTRICAL

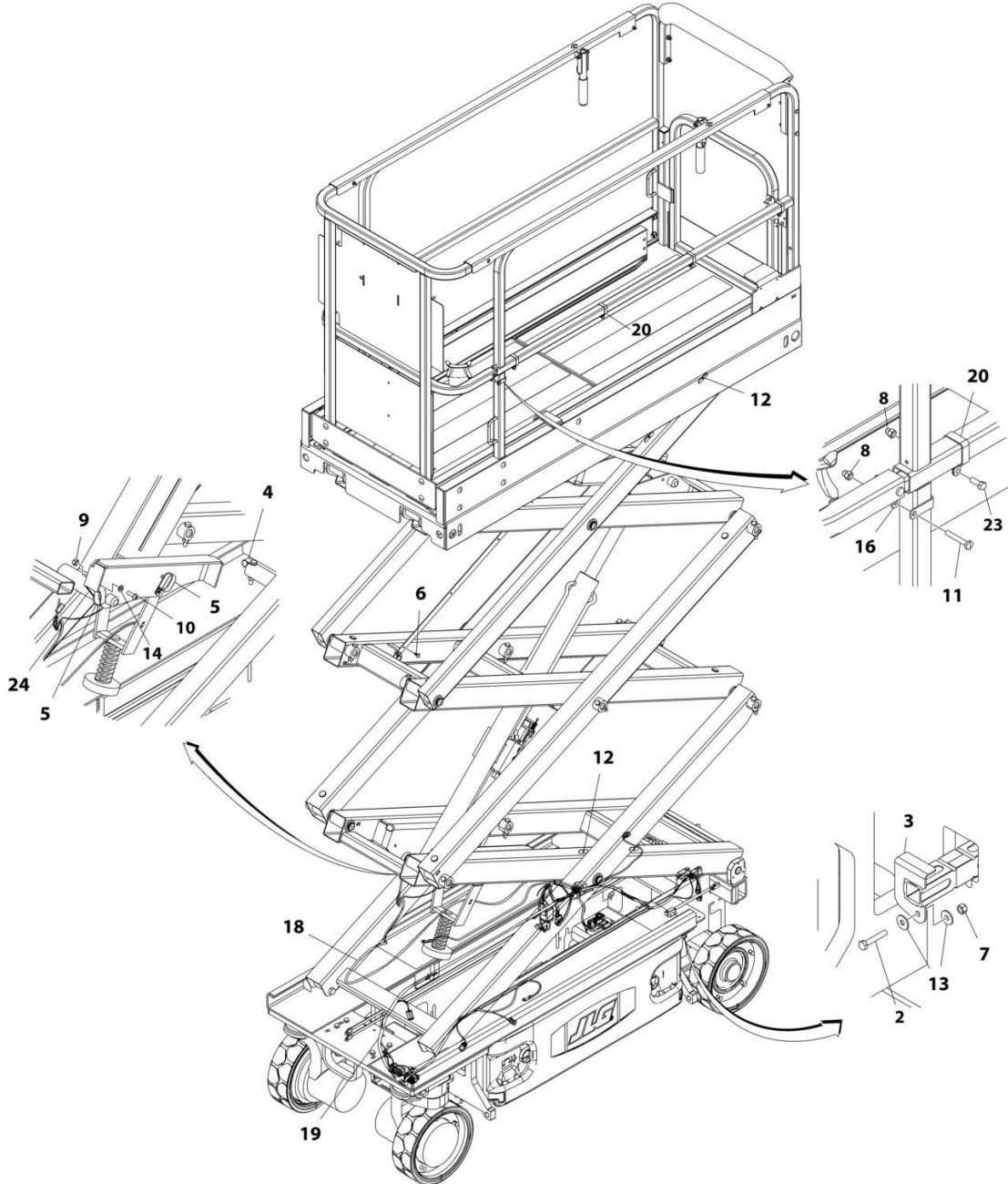
FIGURE 7-14. CABLES INSTALLATION

ITEM	PART NUMBER	QTY	DESCRIPTION	REV
	1001178530	Ref	CABLES INSTALLATION	F
		Ref	Usage Chart	
		Ref	China Built Machines (SN B200020297 through B200035278)	
		Ref	Mexico Built Machines (SN M200000100 through M200040097)	
		Ref	USA Built Machines	
		Ref	ANSI and CSA Specs (All Machines)	
		Ref	Japanese Specs (SN 0200239382 through 0200258069)	
		Ref	ANSI Export and China Specs (SN 0200239382 through 0200248240)	
1	0100048	AR	Grease, Dielectric (Not Shown)	
2	0700615	1	Screw, M6 x 35	
3	0903339	1	Bracket, Battery	
4	1320318	1	Clamp	
5	1321716	2	Clamp	
6	1380158	11	Clip	
7	3290605	1	Nut M6	
8	3290606	5	Cap Nut, M6	
9	3291005	1	Nut, M10	
10	3900351	1	Screw, M10 x 30	
11	4010616	1	Screw, M6 x 40	
12	4740545	4	Washer	
13	4811702	2	Washer M6	
14	4812000	1	Washer M10	
15	1001178685	1	Ground to Platform Harness (Not Shown - See GROUND TO PLATFORM HARNESS for Breakdown)	
16	1001094175	1	Clamp	
17	1001096705	1	Platform Harness (Includes Item 20) (Not Shown - See PLATFORM HARNESS for Breakdown) (SN 0200239382 through 0200262428, SN B200020297 through B200035278, SN M200000100 through M200010194)	
17	1001201242	1	Platform Harness (Includes Item 20) (Not Shown - See PLATFORM HARNESS for Breakdown) (SN 0200262429 to Present, SN M200010195 through M200040097)	
18	1001115002	1	Cylinder Harness (See CYLINDER HARNESS for Breakdown)	
19	1001187203	1	Chassis Harness (See CHASSIS HARNESS for Breakdown)	
20	1001094180	NLA	Clamp (Use p/n 1001210760) (SN 0200239382 through 0200257625, SN B200020297 through B200035278, SN M200000100 through M200002832)	
20	1001210433	NLA	Clamp (Use p/n 1001210760) (SN 0200257626 to Present, SN M200002833 through M200040097)	
21	1001178535	1	Battery Cable Kit (Not Shown - See BATTERY CABLE KIT for Breakdown)	
22	1001178536	1	Cable, Pump Power (Not Shown - See PUMP POWER CABLE ASSEMBLY for Breakdown)	
23	0760606	4	Bolt M6 x 12	
24	4060805	8 in/20cm	Flex-Trim (SN 0200259948 to Present, SN M200002805 through M200040097)	

SECTION 7 - ELECTRICAL

FIGURE 7-15. CABLES INSTALLATION

NOTE : SEE USAGE CHART ON PARTS LIST BEFORE ORDERING PARTS.



ART_1001219353

SECTION 7 - ELECTRICAL

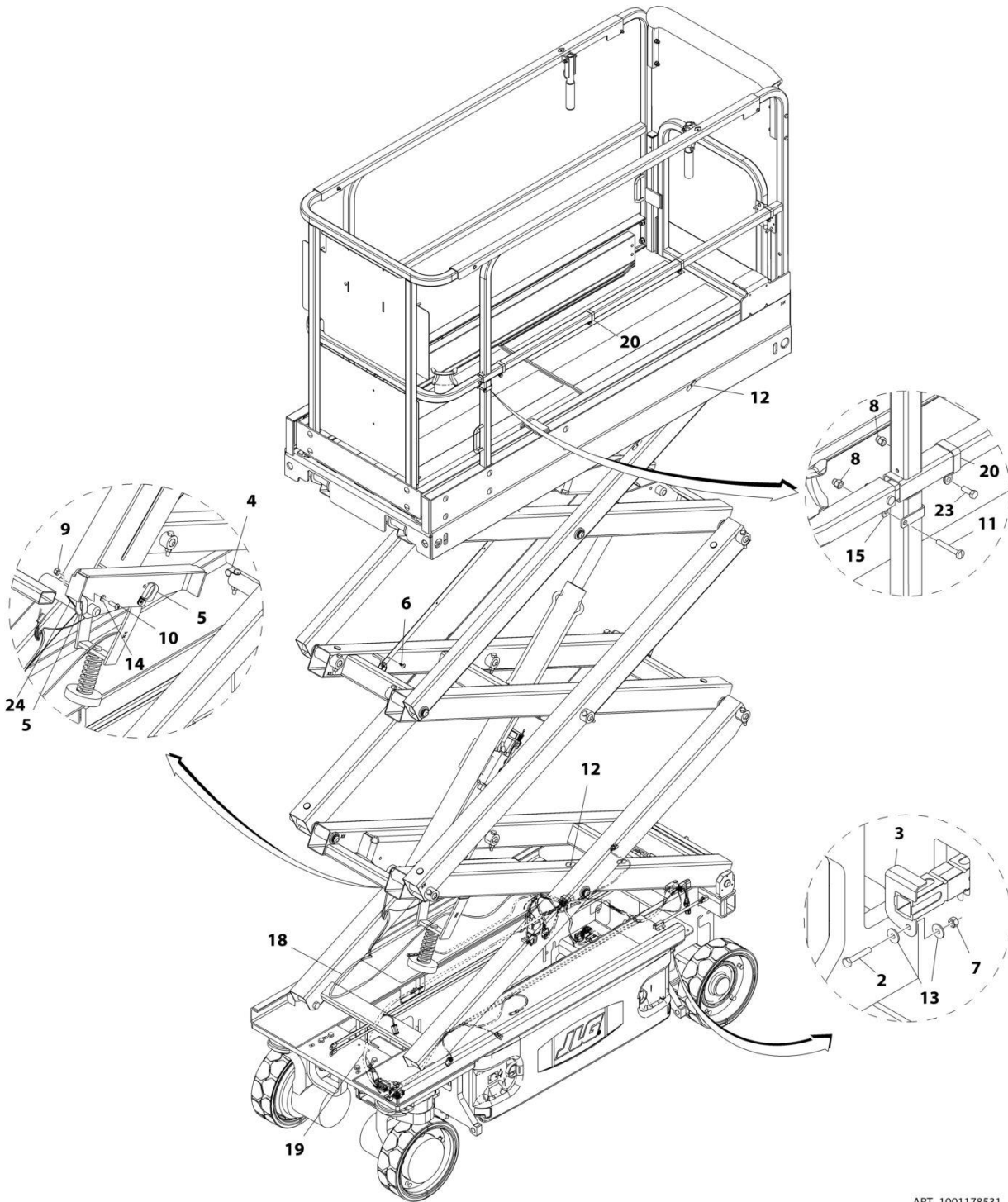
FIGURE 7-15. CABLES INSTALLATION

ITEM	PART NUMBER	QTY	DESCRIPTION	REV
	1001219353	Ref	CABLES INSTALLATION	C
		Ref	Usage Chart (Remove)	
		Ref	China Built Machines (SN B200035279 to Present)	
		Ref	USA Built Machines (ANSI and CSA Specs)	
1	0100048	AR	Grease, Dielectric (Not Shown)	
2	0700615	1	Screw, M6 x 35	
3	0903339	1	Bracket, Battery	
4	1320318	1	Clamp	
5	1321716	2	Clamp	
6	1380158	11	Clip	
7	3290605	1	Nut M6	
8	3290606	5	Cap Nut, M6	
9	3291005	1	Nut, M10	
10	3900351	1	Screw, M10 x 30	
11	4010616	1	Screw, M6 x 40	
12	4740545	4	Washer	
13	4811702	2	Washer M6	
14	4812000	1	Washer M10	
15	1001178685	1	Ground to Platform Harness (Not Shown - See GROUND TO PLATFORM HARNESS for Breakdown)	
16	1001094175	1	Clamp	
17	1001096705	1	Platform Harness (Includes Item 20) (Not Shown - See PLATFORM HARNESS for Breakdown)	
18	1001115002	1	Cylinder Harness (See CYLINDER HARNESS for Breakdown)	
19	1001187203	1	Chassis Harness (See CHASSIS HARNESS for Breakdown)	
20	1001220668	4	Clamp	
21	1001178535	1	Battery Cable Kit (Not Shown - See BATTERY CABLE KIT for Breakdown)	
22	1001178536	1	Cable, Pump Power (Not Shown - See PUMP POWER CABLE ASSEMBLY for Breakdown)	
23	0760606	4	Bolt M6 x 12	
23	0760605	4	Bolt M6 x 10	
24	4060805	8 in/20cm	Flex-Trim (SN B200038196 to Present)	

SECTION 7 - ELECTRICAL

FIGURE 7-16. CABLES INSTALLATION

NOTE : SEE USAGE CHART ON PARTS LIST BEFORE ORDERING PARTS.



ART_1001178531

SECTION 7 - ELECTRICAL

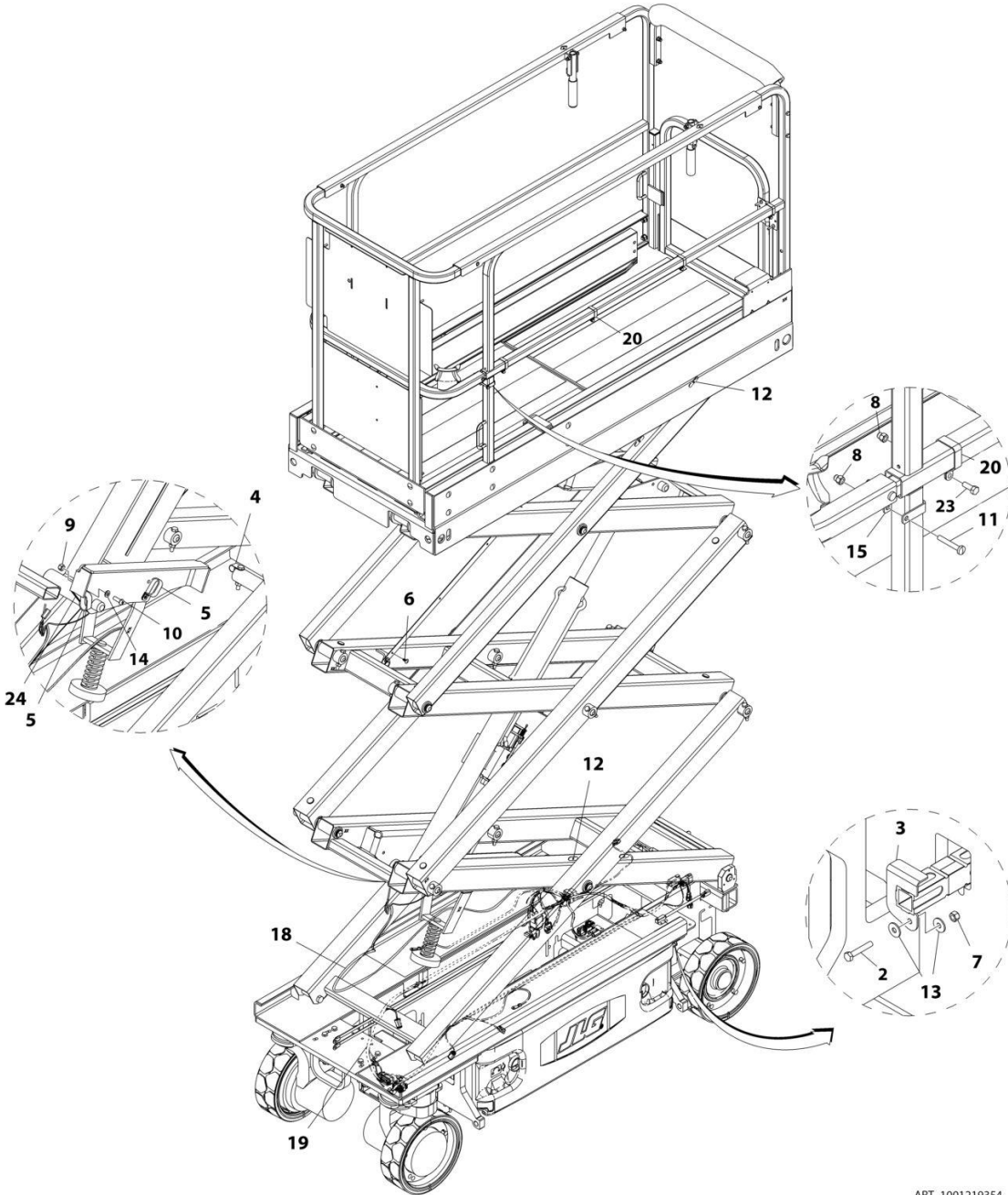
FIGURE 7-16. CABLES INSTALLATION

ITEM	PART NUMBER	QTY	DESCRIPTION	REV
	1001178531	Ref	CABLES INSTALLATION	F
		Ref	Usage Chart	
		Ref	Belgium Built Machines (SN 1200025021 through 1200025120)	
		Ref	China Built Machines (SN B200020297 through B200035278)	
		Ref	Mexico Built Machines (SN M200000100 through M200040097)	
		Ref	Korea Specs (SN M200017711 through M200040097)	
		Ref	USA Built Machines	
		Ref	ANSI Export and China Specs (SN 0200248241 to Present)	
		Ref	Japanese Specs (SN 0200258070 to Present)	
		Ref	Australian and CE Specs	
1	0100048	AR	Grease, Dielectric (Not Shown)	
2	0700615	1	Screw, M6 x 35	
3	0903339	1	Bracket, Battery	
4	1320318	1	Clamp	
5	1321716	2	Clamp	
6	1380158	11	Clip	
7	3290605	1	Nut M6	
8	3290606	5	Cap Nut, M6	
9	3291005	1	Nut, M10	
10	3900351	1	Screw, M10 x 30	
11	4010616	1	Screw, M6 x 40	
12	4740545	4	Washer	
13	4811702	2	Washer M6	
14	4812000	1	Washer M10	
15	1001094175	1	Clamp	
16	1001178683	1	Ground to Platform Harness (Not Shown - See GROUND TO PLATFORM HARNESS for Breakdown)	
17	1001096705	1	Platform Harness (Includes Item 20) (Not Shown - See PLATFORM HARNESS for Breakdown) (SN 0200239382 through 0200262428, SN 1200025021 through 1200025120, SN B200020297 through B200035278, SN M200000100 through M200010194)	
17	1001201242	1	Platform Harness (Includes Item 20) (Not Shown - See PLATFORM HARNESS for Breakdown) (SN 0200262429 to Present, SN M200010195 through M200040097)	
18	1001115002	1	Cylinder Harness (See CYLINDER HARNESS for Breakdown)	
19	1001187203	1	Chassis Harness (See CHASSIS HARNESS for Breakdown)	
20	1001094180	NLA	Clamp (Use p/n 1001210760) (SN 0200239382 through 0200257625, SN 1200025021 through 1200025120, SN B200020297 through B200035278, SN M200000100 through M200002832)	
20	1001210433	4	Clamp (SN 0200257626 to Present, SN M200002833 through M200040097)	
21	1001178535	1	Battery Cable Kit (Not Shown - See BATTERY CABLE KIT for Breakdown)	
22	1001178536	1	Cable, Pump Power (Not Shown - See PUMP POWER CABLE ASSEMBLY for Breakdown)	
23	0760606	4	Bolt M6 x 12	
24	4060805	8 in/20cm	Flex-Trim (SN 0200259948 to Present, SN 1200026043 to Present, SN M200002805 through M200040097)	

SECTION 7 - ELECTRICAL

FIGURE 7-17. CABLES INSTALLATION

NOTE : SEE USAGE CHART ON PARTS LIST BEFORE ORDERING PARTS.



ART_1001219354

SECTION 7 - ELECTRICAL

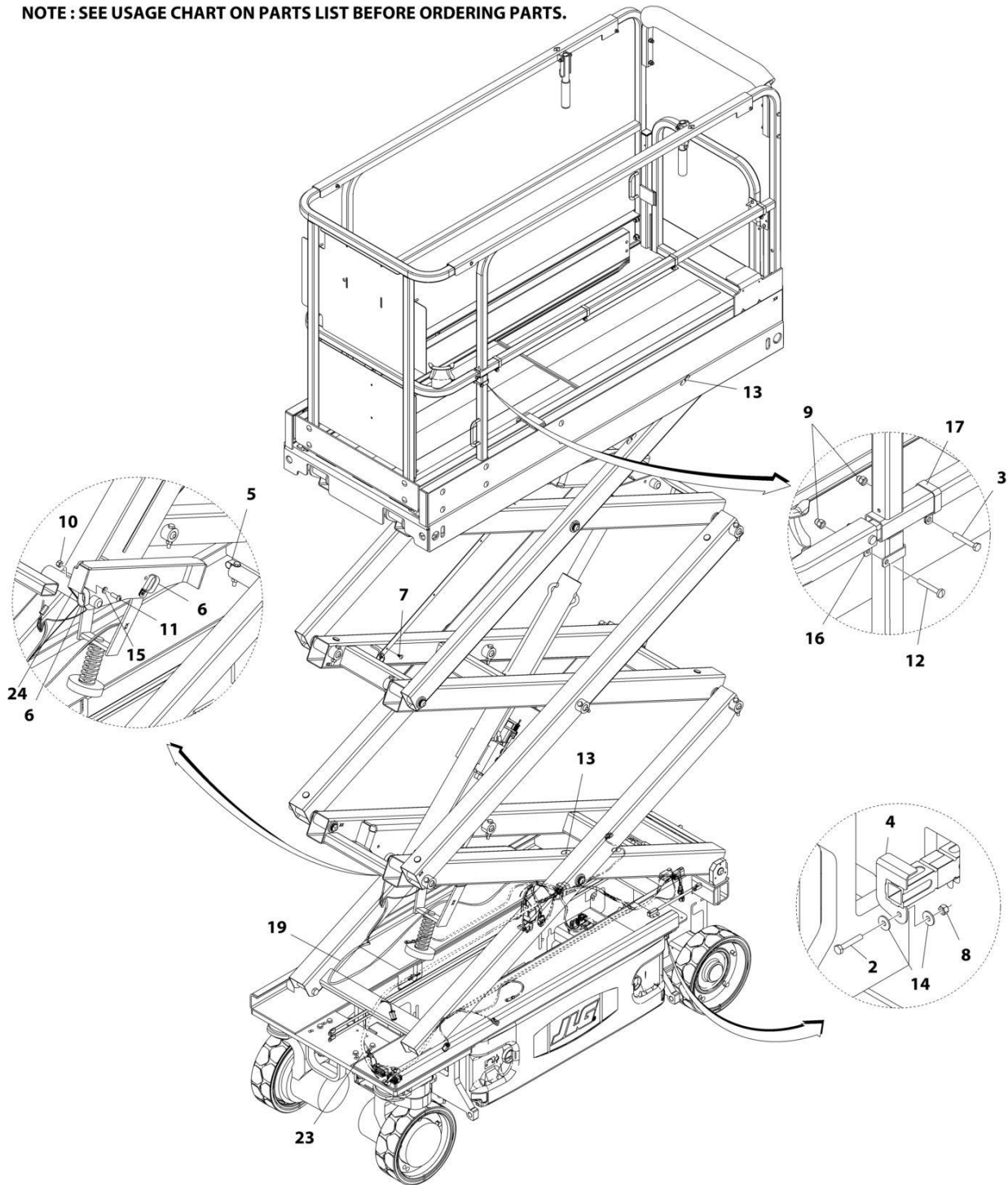
FIGURE 7-17. CABLES INSTALLATION

ITEM	PART NUMBER	QTY	DESCRIPTION	REV
	1001219354	Ref	CABLES INSTALLATION	C
		Ref	Usage Chart	
		Ref	Belgium Built Machines (SN 1200025121 to Present)	
		Ref	China Built Machines (SN B200035279 to Present)	
		Ref	ANSI Export, Australian, CE, Japanese, Korea and China Specs	
1	0100048	AR	Grease, Dielectric (Not Shown)	
2	0700615	1	Screw, M6 x 35	
3	0903339	1	Bracket, Battery	
4	1320318	1	Clamp	
5	1321716	2	Clamp	
6	1380158	11	Clip	
7	3290605	1	Nut M6	
8	3290606	5	Cap Nut, M6	
9	3291005	1	Nut M10	
10	3900351	1	Screw, M10 x 30	
11	4010616	1	Screw, M6 x 40	
12	4740545	4	Washer	
13	4811702	2	Washer M6	
14	4812000	1	Washer M10	
15	1001094175	1	Clamp	
16	1001178683	1	Ground to Platform Harness (Not Shown - See GROUND TO PLATFORM HARNESS for Breakdown)	
17	1001096705	1	Platform Harness (Includes Item 20) (Not Shown - See PLATFORM HARNESS for Breakdown)	
18	1001115002	1	Cylinder Harness (See CYLINDER HARNESS for Breakdown)	
19	1001187203	1	Chassis Harness (See CHASSIS HARNESS for Breakdown)	
20	1001220668	4	Clamp	
21	1001178535	1	Battery Cable Kit (Not Shown - See BATTERY CABLE KIT for Breakdown)	
22	1001178536	1	Cable, Pump Power (Not Shown - See PUMP POWER CABLE ASSEMBLY for Breakdown)	
23	0760606	4	Bolt M6 x 12	
23	0760605	4	Bolt M6 x 10	
24	4060805	8 in/20cm	Flex-Trim (SN B200038196 to Present, SN 1200025121 to Present)	

SECTION 7 - ELECTRICAL

FIGURE 7-18. CABLES INSTALLATION

NOTE : SEE USAGE CHART ON PARTS LIST BEFORE ORDERING PARTS.



ART_1001196865

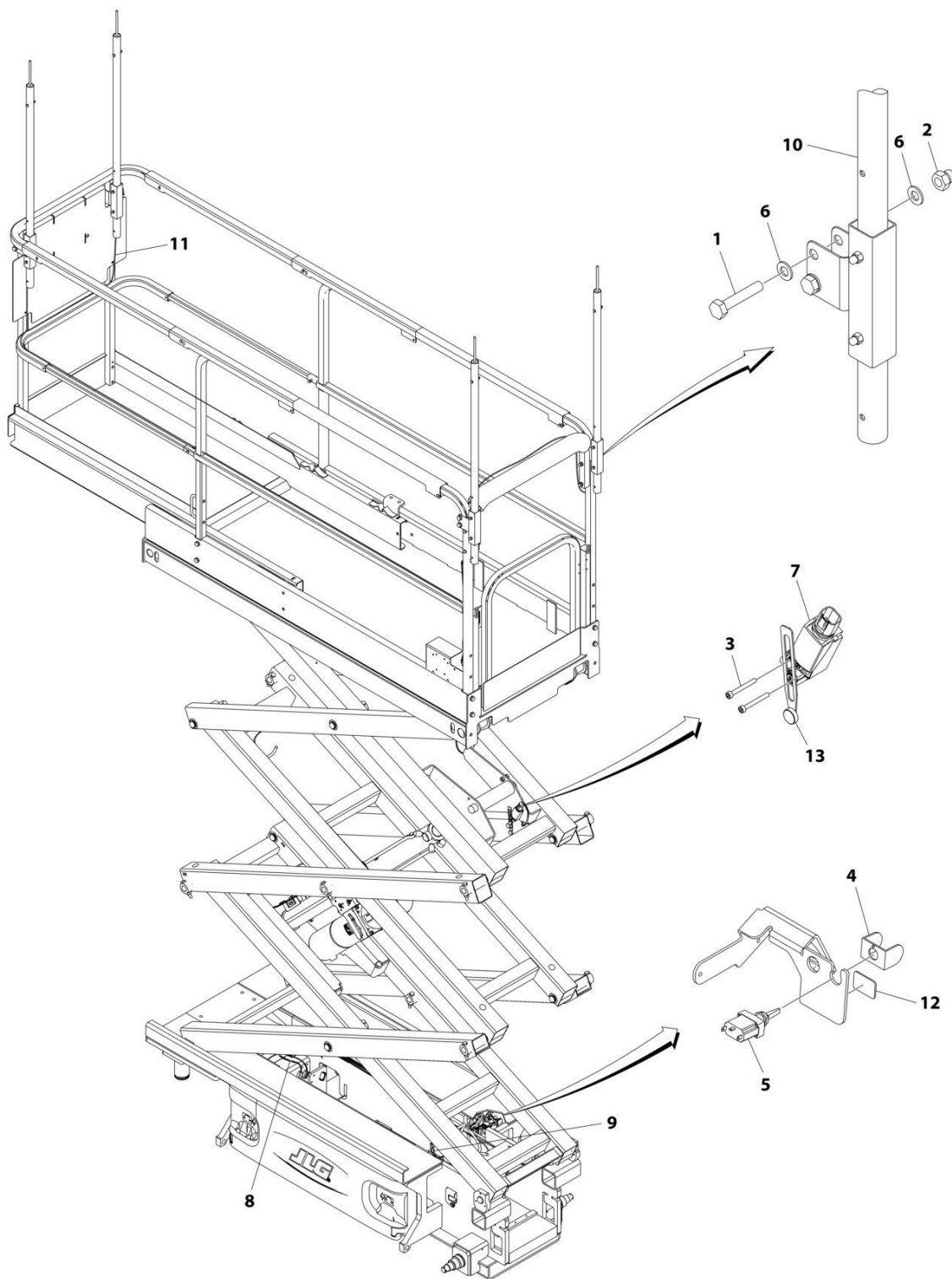
SECTION 7 - ELECTRICAL

FIGURE 7-18. CABLES INSTALLATION

ITEM	PART NUMBER	QTY	DESCRIPTION	REV
	1001196865	Ref	CABLES INSTALLATION	C
		Ref	Usage Chart	
		Ref	China Built Machines (SN B200020297 through B200035278)	
		Ref	Mexico Built Machines (SN M200000100 through M200040097)	
		Ref	USA Built Machines	
		Ref	UL Machines (All Machines)	
1	0100048	AR	Grease, Dielectric (Not Shown)	
2	0700615	1	Screw M6 x 35	
3	0760606	4	Screw M6 x 12	
4	0903339	1	Bracket, Battery	
5	1320318	1	Clamp	
6	1321716	2	Clamp	
7	1380158	11	Clip	
8	3290605	1	Nut M6	
9	3290606	5	Cap Nut, M6	
10	3291005	1	Nut M10	
11	3900351	1	Screw M10 x 30	
12	4010616	1	Screw M6 x 40	
13	4740545	4	Washer	
14	4811702	2	Washer M6	
15	4812000	1	Washer M10	
16	1001094175	1	Clamp	
17	1001094180	NLA	Clamp (Use p/n 1001210760) (SN 0200239382 through 0200257625, SN B200020297 through B200035278, SN M200000100 through M200002832)	
17	1001210433	NLA	Clamp (Use p/n 1001210760) (SN 0200257626 to Present, SN M200002833 through M200040097)	
18	1001096705	1	Platform Harness (Includes Item 17) (Not Shown - See PLATFORM HARNESS for Breakdown) (SN 0200239382 through 0200262428, SN B200020297 through B200035278, SN M200000100 through M200010194)	
18	1001201242	1	Platform Harness (Includes Item 17) (Not Shown - See PLATFORM HARNESS for Breakdown) (SN 0200262429 to Present, SN M200010195 through M200040097)	
19	1001115002	1	Cylinder Harness (See CYLINDER HARNESS for Breakdown)	
20	1001178535	1	Battery Cable Kit (Not Shown - See BATTERY CABLE KIT for Breakdown)	
21	1001178536	1	Cable, Pump Power (Not Shown - See PUMP POWER CABLE ASSEMBLY for Breakdown)	
22	1001178685	1	Ground to Platform Harness (Not Shown - See GROUND TO PLATFORM HARNESS for Breakdown)	
23	1001196836	1	Chassis Harness (See CHASSIS HARNESS for Breakdown)	
24	4060805	8 in/20cm	Flex-Trim (SN 0200259948 to Present, SN M200002805 through M200040097)	

SECTION 7 - ELECTRICAL

FIGURE 7-19. CABLES INSTALLATION



ART_1001214119

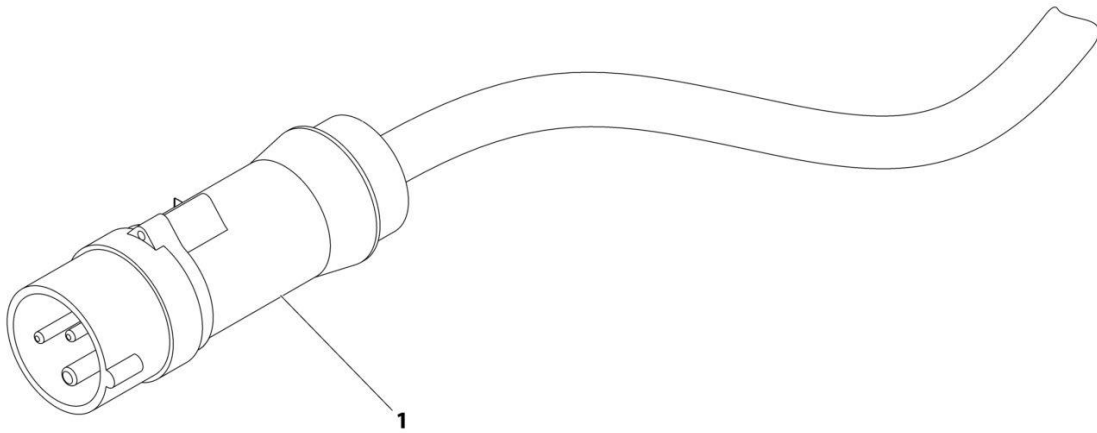
SECTION 7 - ELECTRICAL

FIGURE 7-19. CABLES INSTALLATION

ITEM	PART NUMBER	QTY	DESCRIPTION	REV
	1001219357	Ref	CABLES INSTALLATION	C
		Ref	Usage Chart	
		Ref	China Built Machines (SN B200035279 to Present)	
		Ref	UL Machines	
1	0100048	AR	Grease, Dielectric (Not Shown)	
2	0700615	1	Screw M6 x 35	
3	0760606	4	Screw M6 x 12	
3	0760605	4	Bolt M6 x 10	
4	0903339	1	Bracket, Battery	
5	1320318	1	Clamp	
6	1321716	2	Clamp	
7	1380158	11	Clip	
8	3290605	1	Nut M6	
9	3290606	5	Cap Nut, M6	
10	3291005	1	Nut M10	
11	3900351	1	Screw M10 x 30	
12	4010616	1	Screw M6 x 40	
13	4740545	4	Washer	
14	4811702	2	Washer M6	
15	4812000	1	Washer M10	
16	1001094175	1	Clamp	
17	1001220668	4	Clamp	
18	1001096705	1	Platform Harness (Includes Item 17) (Not Shown - See PLATFORM HARNESS for Breakdown)	
19	1001115002	1	Cylinder Harness (See CYLINDER HARNESS for Breakdown)	
20	1001178535	1	Battery Cable Kit (Not Shown - See BATTERY CABLE KIT for Breakdown)	
21	1001178536	1	Cable, Pump Power (Not Shown - See PUMP POWER CABLE ASSEMBLY for Breakdown)	
22	1001178685	1	Ground to Platform Harness (Not Shown - See GROUND TO PLATFORM HARNESS for Breakdown)	
23	1001196836	1	Chassis Harness (See CHASSIS HARNESS for Breakdown)	
24	4060805	8 in/20cm	Flex-Trim (SN B200038196 to Present)	

SECTION 7 - ELECTRICAL

FIGURE 7-20. CHARGER CORD PLUG INSTALLATION - 110V IEC YELLOW (CE SPEC ONLY)



ART_0275666

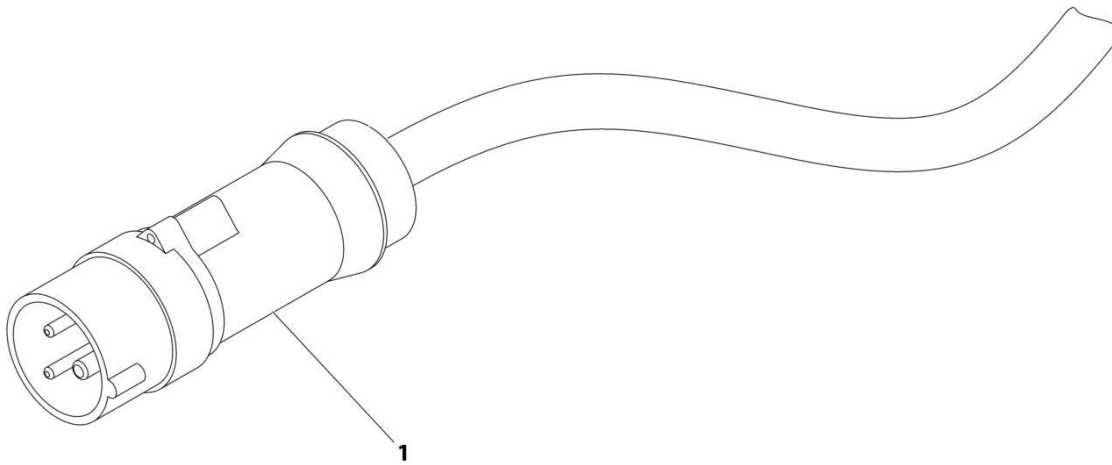
SECTION 7 - ELECTRICAL

FIGURE 7-20. CHARGER CORD PLUG INSTALLATION - 110V IEC YELLOW (CE SPEC ONLY)

ITEM	PART NUMBER	QTY	DESCRIPTION	REV
	0275666	Ref	CHARGER CORD PLUG INSTALLATION - 110V IEC YELLOW	B
1	4461196	1	PLUG Plug	

SECTION 7 - ELECTRICAL

FIGURE 7-21. CHARGER CORD PLUG INSTALLATION - 220V IEC BLUE (CE SPEC)



ART_0275667

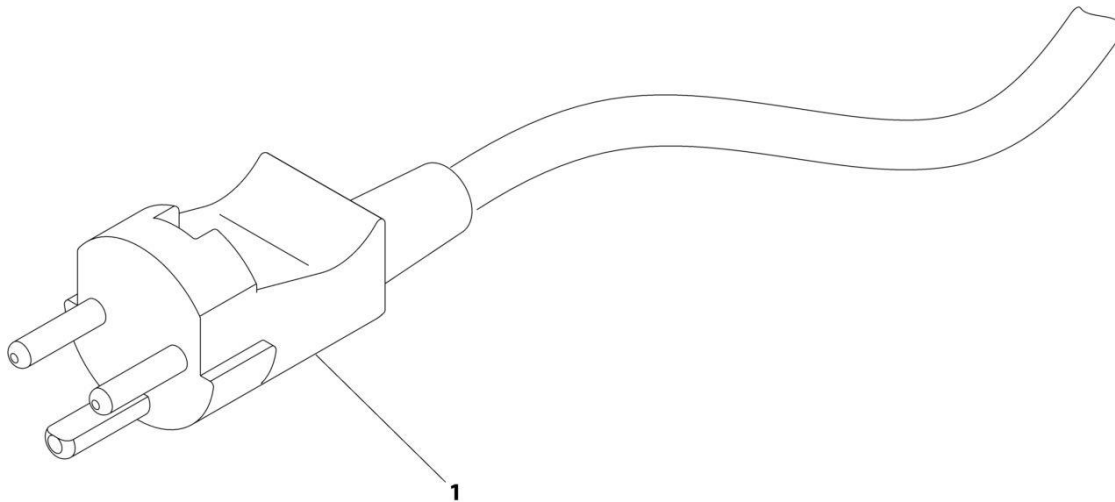
SECTION 7 - ELECTRICAL

FIGURE 7-21. CHARGER CORD PLUG INSTALLATION - 220V IEC BLUE (CE SPEC)

ITEM	PART NUMBER	QTY	DESCRIPTION	REV
1	0275667 4461199	Ref 1	CHARGER CORD PLUG INSTALLATION - 220V IEC BLUE PLUG Plug	B

SECTION 7 - ELECTRICAL

FIGURE 7-22. CHARGER CORD PLUG INSTALLATION - 220V AFSINT 107 (CE SPEC)



ART_0275665

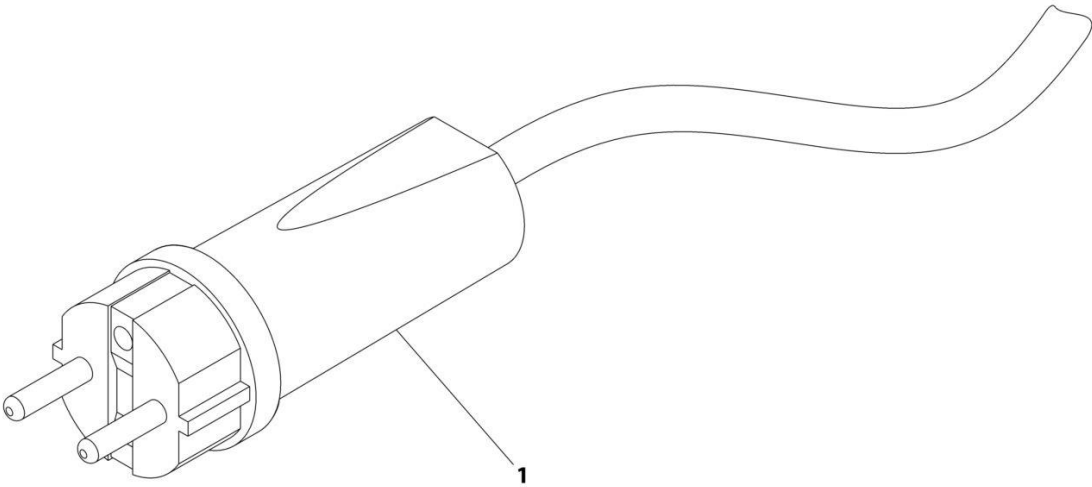
SECTION 7 - ELECTRICAL

FIGURE 7-22. CHARGER CORD PLUG INSTALLATION - 220V AFSINT 107 (CE SPEC)

ITEM	PART NUMBER	QTY	DESCRIPTION	REV
	0275665	Ref	CHARGER CORD PLUG INSTALLATION - 220V AFSINT 107 KEYED GROUND	B
1	4461249	1	Plug	

SECTION 7 - ELECTRICAL

FIGURE 7-23. CHARGER CORD PLUG INSTALLATION - 220V CEE7 POST GROUND (CE SPEC)



ART_0275664

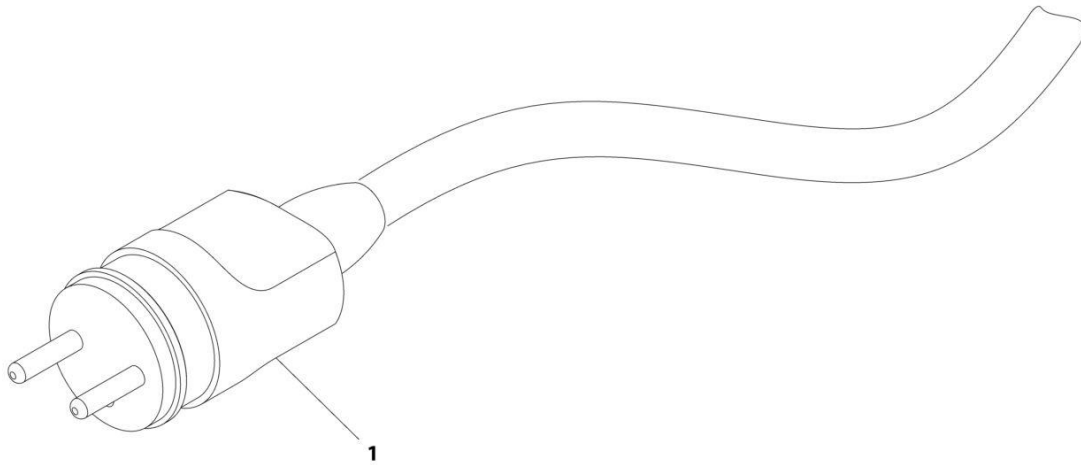
SECTION 7 - ELECTRICAL

FIGURE 7-23. CHARGER CORD PLUG INSTALLATION - 220V CEE7 POST GROUND (CE SPEC)

ITEM	PART NUMBER	QTY	DESCRIPTION	REV
	0275664	Ref	CHARGER CORD PLUG INSTALLATION - 220V CEE7 SIDE GROUND	A
1	4461205	1	Plug	

SECTION 7 - ELECTRICAL

FIGURE 7-24. CHARGER CORD PLUG INSTALLATION - 220V POST GROUND (CE SPEC)



ART_0275663

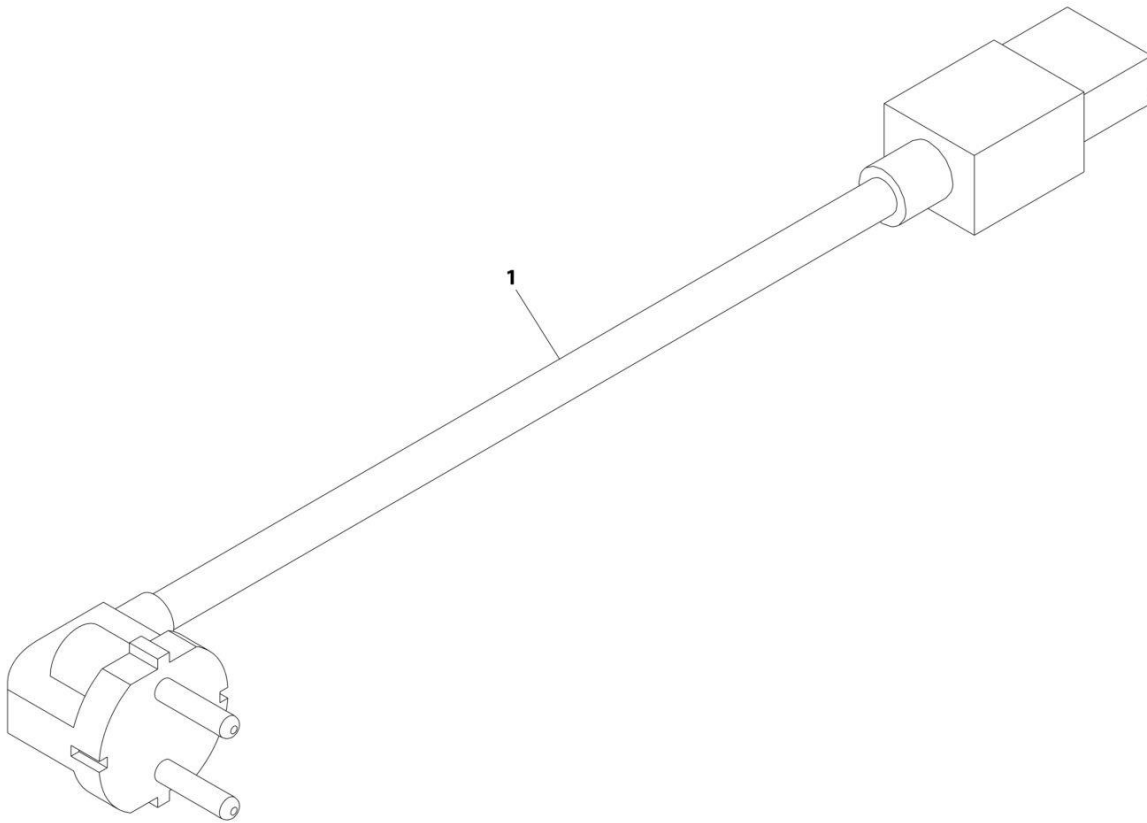
SECTION 7 - ELECTRICAL

FIGURE 7-24. CHARGER CORD PLUG INSTALLATION - 220V POST GROUND (CE SPEC)

ITEM	PART NUMBER	QTY	DESCRIPTION	REV
	0275663	Ref	CHARGER CORD PLUG INSTALLATION - 220V POST GROUND (CE SPEC)	C
1	4461202	NLA	Plug (Use p/n 4461205) (SN 0200239382 through 0200256617, SN B200020297 through B200037242, SN M200000100 through M200002249)	
1	4461205	1	Plug (SN 0200256618 to Present, SN 1200025021 to Present, SN B2000037243 to Present, SN M200002250 through M200040097)	

SECTION 7 - ELECTRICAL

FIGURE 7-25. CHARGER CORD PLUG INSTALLATION (KOREA SPEC)



ART_1001221984

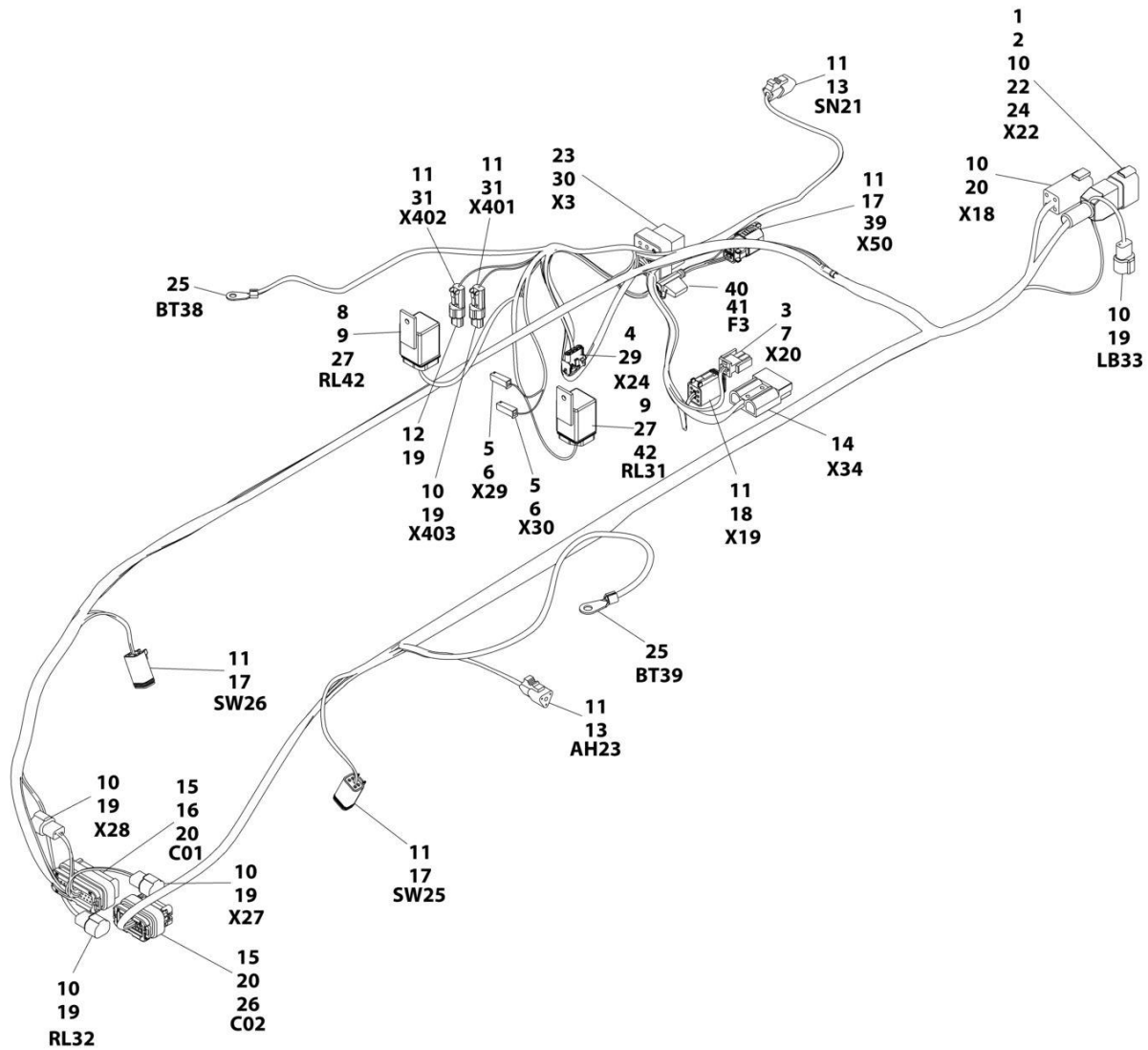
SECTION 7 - ELECTRICAL

FIGURE 7-25. CHARGER CORD PLUG INSTALLATION (KOREA SPEC)

ITEM	PART NUMBER	QTY	DESCRIPTION	REV
1	1001221984 1001221949	Ref 1	CHARGER CORD PLUG INSTALLATION AC Input Cord and Plug	A

SECTION 7 - ELECTRICAL

FIGURE 7-26. CHASSIS HARNESS (SN 0200239382 to Present, SN B200020297 through B200061738, SN M200000100 to Present, SN 1200025021 to Present)



ART_1001187203

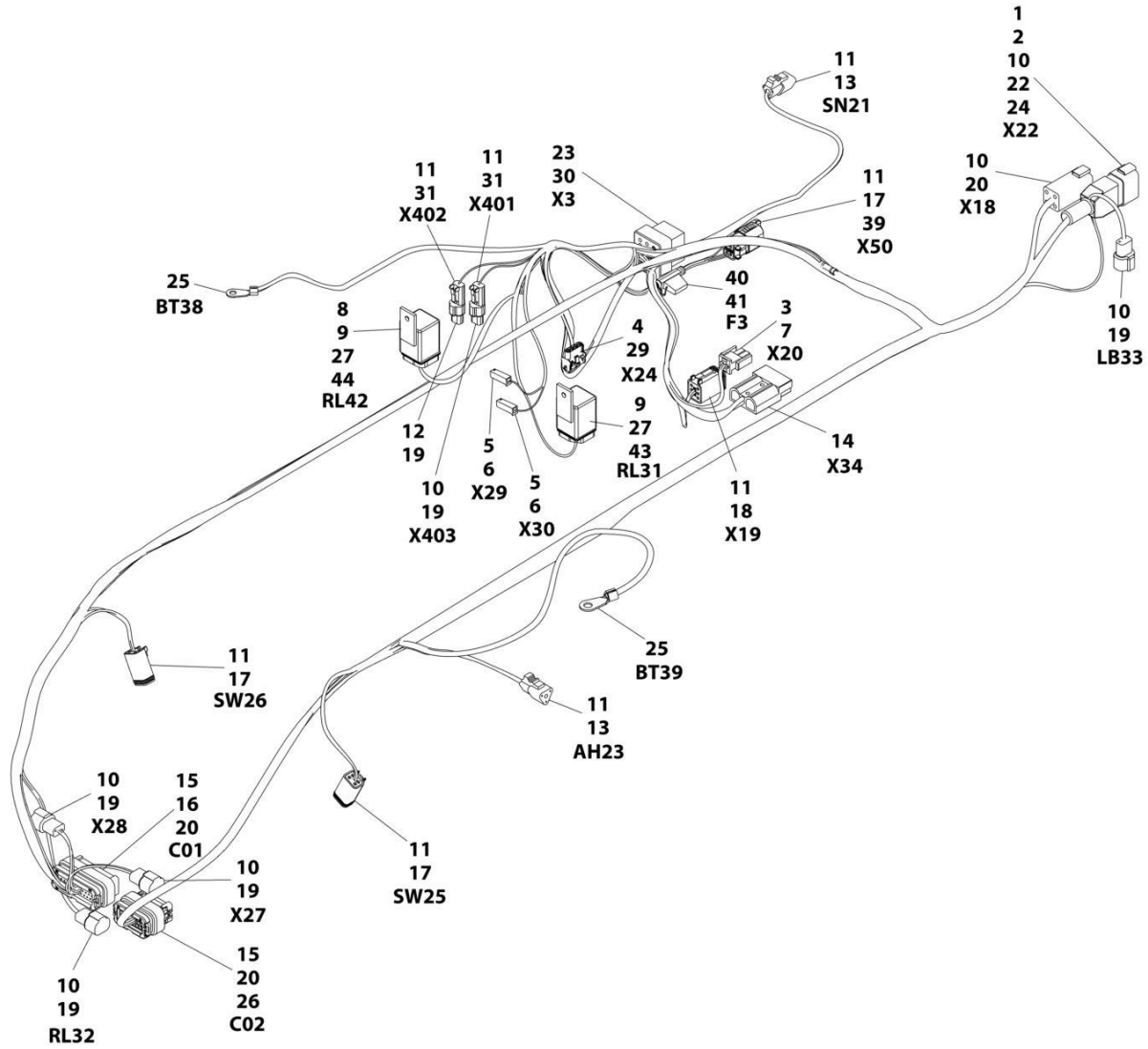
SECTION 7 - ELECTRICAL

FIGURE 7-26. CHASSIS HARNESS (SN 0200239382 to Present, SN B200020297 through B200061738, SN M200000100 to Present, SN 1200025021 to Present)

ITEM	PART NUMBER	QTY	DESCRIPTION	REV
	1001187203	Ref	CHASSIS HARNESS	F
1	0840058	1	Boot	
2	2820028	1	Heat Shrink	
3	4460226	2	Socket, Female	
4	4460227	4	Pin, Male	
5	4460259	2	Terminal	
6	4460260	2	Terminal	
7	4460320	1	Terminal	
8	4460374	1	Plug, Relay	
9	4460375	8	Terminal	
10	4460464	18	Pin, Male	
11	4460465	AR	Socket, Female	
12	4460466	11	Seal	
13	4460539	2	Plug, Male - 3 Position	
14	4460648	1	Connector, Anderson	
15	4460871	39	Socket, Female	
16	4460873	1	Connector - 35 Position (Black)	
17	4460884	AR	Plug, Male - 4 Position	
18	4460894	1	Plug, Male - 6 Position	
19	4460897	6	Receptacle, Female - 2 Position	
20	4460899	1	Receptacle, Female - 6 Position	
21	4460905	20	Seal	
22	4460931	1	Receptacle, Female - 8 Position	
23	4460942	2	Socket, Female	
24	4460943	2	Pin, Male	
25	4460986	2	Terminal, Ring	
26	1001096138	1	Connector, 23 Position	
27	1001097347	2	Relay	
29	4460761	1	Receptacle, Female - 4 Position	
30	1001115076	1	Connector, 18 Position	
31	4460891	2	Plug, Male - 2 Position	
39	1001192401	1	Cap, Dust (SN 0200248842 to Present, SN 1200025021 to Present, SN B200024964 to Present, SN M200000140 through M200040097)	
40	2400060	1	Fuseholder with Cover (SN 0200248842 to Present, SN 1200025021 to Present, SN B200024964 to Present, SN M200000140 through M200040097)	
41	8229242	1	Fuse 5Amp (SN 0200248842 to Present, SN 1200025021 to Present, SN B200024964 to Present, SN M200000140 through M200040097)	
42	4460374	1	Plug, Relay (SN 0200239382 through 0200253043, SN B200020297 through B200028157, SN M200000100 through M200000687)	
42	1001117057	1	Plug, Relay (SN 0200253044 to Present, SN 1200025021 to Present, SN B200028158 to Present, SN M200000688 through M200040097)	

SECTION 7 - ELECTRICAL

FIGURE 7-27. CHASSIS HARNESS (SN B200061739 to Present)



ART_1001187203_G

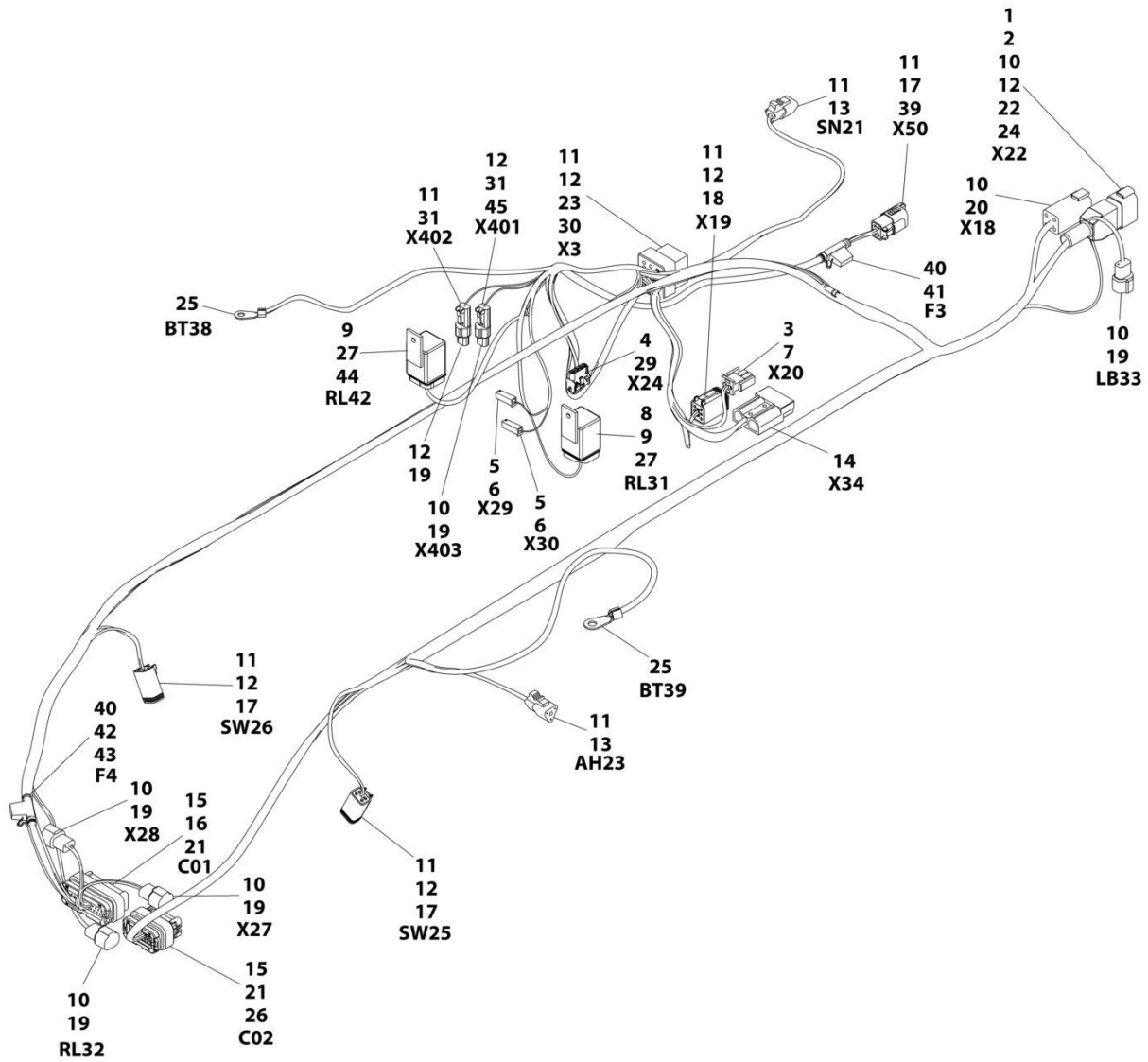
SECTION 7 - ELECTRICAL

FIGURE 7-27. CHASSIS HARNESS (SN B200061739 to Present)

ITEM	PART NUMBER	QTY	DESCRIPTION	REV
	1001187203	Ref	CHASSIS HARNESS	G
1	0840058	1	Boot	
2	2820029	1	Heat Shrink	
3	4460226	2	Socket, Female	
4	4460227	4	Pin, Male	
5	4460259	2	Terminal	
6	4460260	2	Terminal	
7	4460320	1	Terminal	
8	4460374	1	Plug, Relay	
9	1001116732	7	Terminal	
10	4460464	18	Pin, Male	
11	4460465	34	Socket, Female	
12	4460466	11	Seal	
13	4460539	2	Plug, Male - 3 Position	
14	4460648	1	Connector, Anderson	
15	4460871	39	Socket, Female	
16	4460873	1	Connector - 35 Position (Black)	
17	4460884	3	Plug, Male - 4 Position	
18	4460894	1	Plug, Male - 6 Position	
19	4460897	6	Receptacle, Female - 2 Position	
20	4460899	1	Receptacle, Female - 6 Position	
21	4460905	20	Seal (Not Shown)	
22	4460931	1	Receptacle, Female - 8 Position	
23	4460942	2	Socket, Female	
24	4460943	2	Pin, Male	
25	4460986	2	Terminal, Ring	
26	1001096138	1	Connector, 23 Position	
27	1001097347	2	Relay	
29	4460761	1	Receptacle, Female - 4 Position	
30	1001115076	1	Connector, 18 Position	
31	4460891	2	Plug, Male - 2 Position	
39	1001192401	1	Cap, Dust	
40	2400060	1	Fuseholder with Cover	
41	8229242	1	Fuse 5Amp	
43	1001117057	1	Connector - 4 Position	
44	1001116733	2	Terminal	

SECTION 7 - ELECTRICAL

FIGURE 7-28. CHASSIS HARNESS - UL MACHINES



ART_1001196836

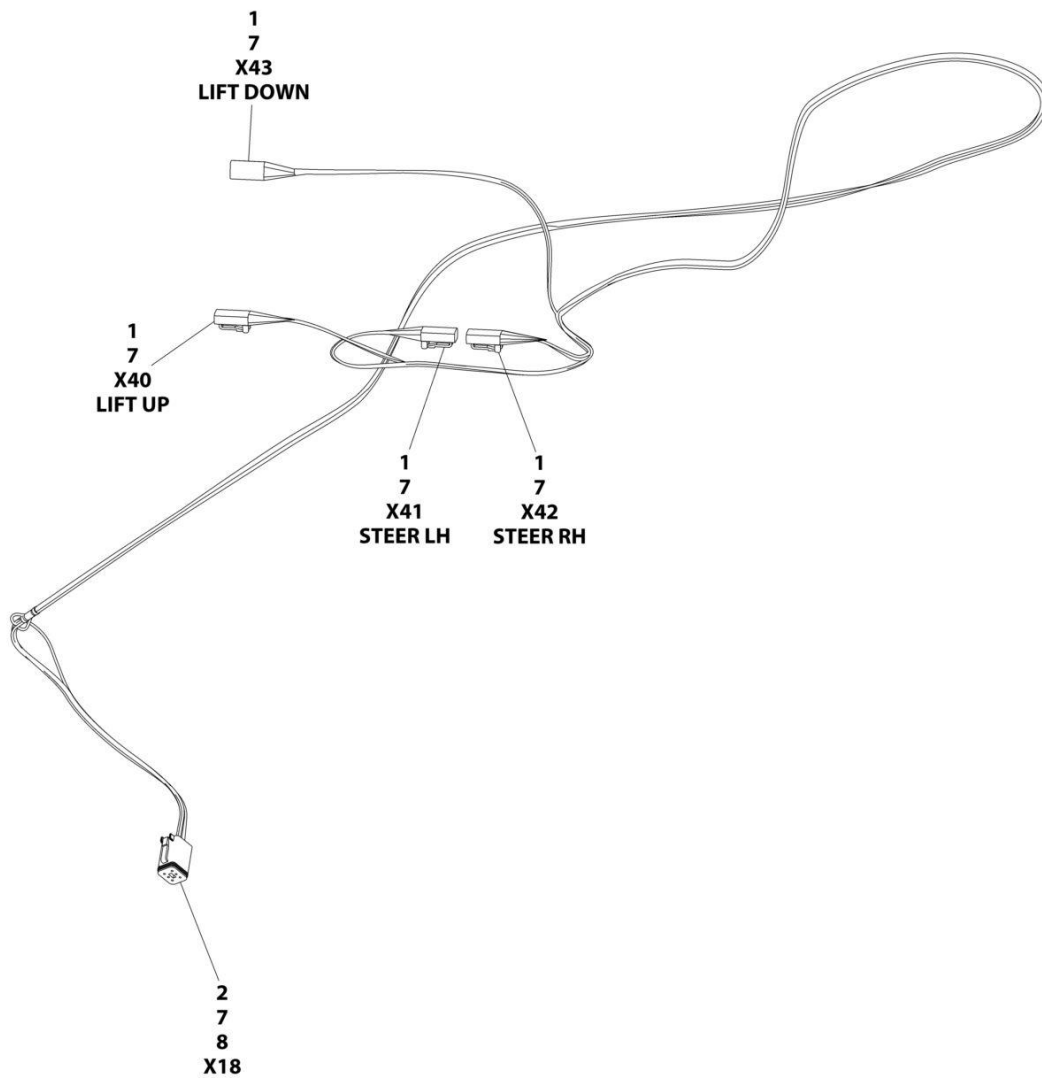
SECTION 7 - ELECTRICAL

FIGURE 7-28. CHASSIS HARNESS - UL MACHINES

ITEM	PART NUMBER	QTY	DESCRIPTION	REV
	1001196836	Ref	CHASSIS HARNESS - UL MACHINES	E
1	0840058	1	Boot	
2	2820028	1	Heat Shrink	
3	4460226	2	Socket, Female	
4	4460227	4	Terminal	
5	4460259	2	Terminal	
6	4460260	2	Terminal	
7	4460320	1	Terminal	
8	4460374	1	Plug, Relay	
9	4460375	AR	Terminal	
10	4460464	AR	Pin, Male	
11	4460465	AR	Socket, Female	
12	4460466	AR	Seal	
13	4460539	2	Plug, Male - 3 Position	
14	4460648	1	Connector, Anderson	
15	4460871	39	Socket, Female	
16	4460873	1	Connector - 35 Position (Black)	
17	4460884	3	Plug, Male - 4 position	
18	4460894	1	Plug, Male - 6 Position	
19	4460897	6	Receptacle, Female - 2 Position	
20	4460899	1	Receptacle, Female - 6 Position	
21	4460905	AR	Seal	
22	4460931	1	Receptacle, Female - 8 Position	
23	4460942	2	Socket, Female	
24	4460943	AR	Pin, Male	
25	4460986	2	Terminal, Ring	
26	1001096138	1	Connector - 23 Position	
27	1001197347	2	Relay	
29	4460761	1	Receptacle, Female - 4 Position	
30	1001115076	1	Connector - 18 Position	
31	4460891	2	Plug, Male - 2 Position	
39	1001192401	1	Cap, Dust	
40	2400060	2	Fuseholder	
41	8229242	1	Fuse - 5 Amp	
42	1001196838	1	Fuse - 3 Amp	
43	2820152	AR	Heat Shrink	
44	1001117057	1	Connector - 4 Position	
45	1001157890	1	Terminal	

SECTION 7 - ELECTRICAL

FIGURE 7-29. CYLINDER HARNESS



ART_1001115002

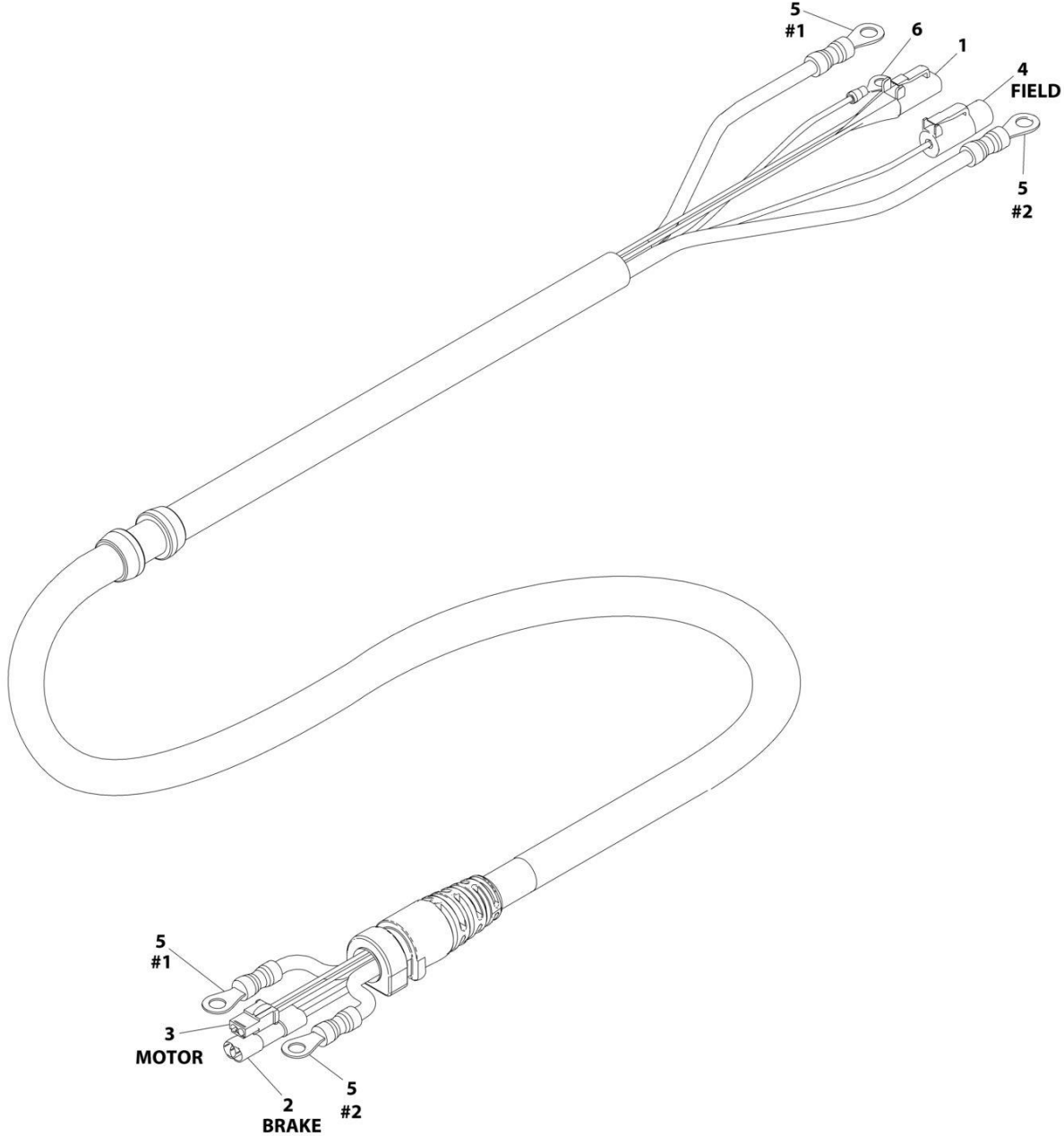
SECTION 7 - ELECTRICAL

FIGURE 7-29. CYLINDER HARNESS

ITEM	PART NUMBER	QTY	DESCRIPTION	REV
	1001115002	Ref	CYLINDER HARNESS	D
1	4460891	4	Plug, Male - 2 Position	
2	4460894	1	Plug, Male - 6 Position	
7	4460465	14	Socket, Female	
8	0840059	1	Boot	

SECTION 7 - ELECTRICAL

FIGURE 7-30. DRIVE CABLE ASSEMBLY



ART_1001091502

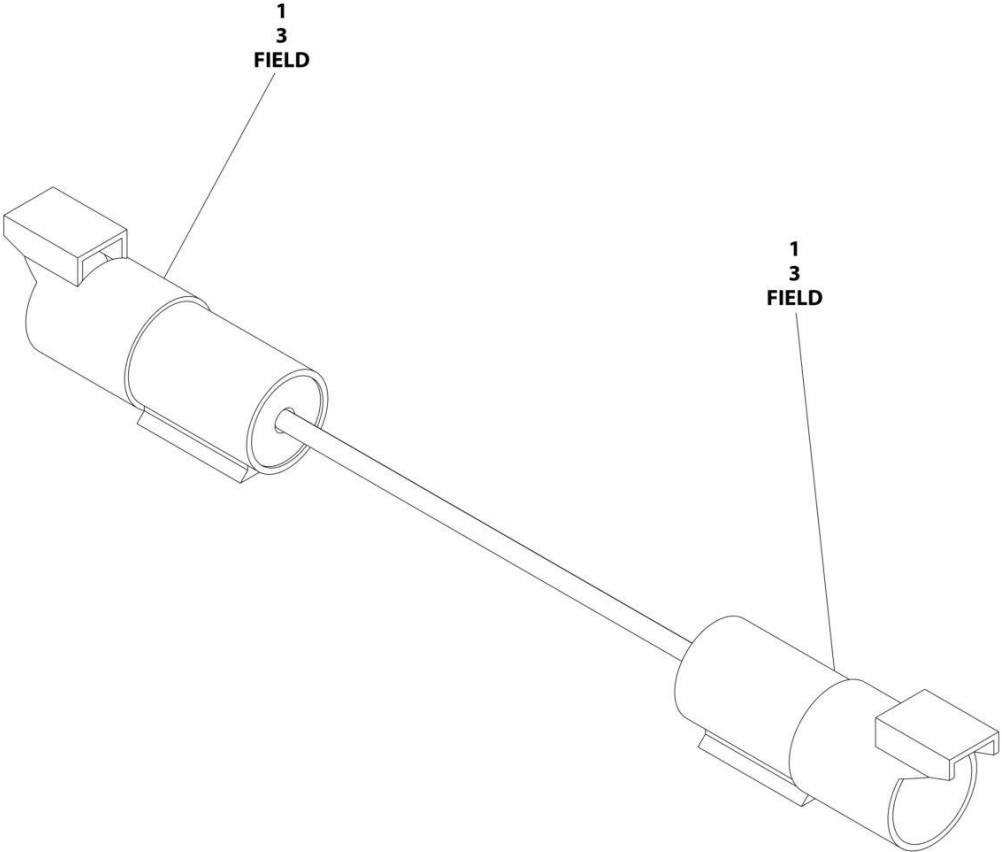
SECTION 7 - ELECTRICAL

FIGURE 7-30. DRIVE CABLE ASSEMBLY

ITEM	PART NUMBER	QTY	DESCRIPTION	REV
	1001091502	Ref	DRIVE CABLE ASSEMBLY	F
1	4460891	1	Plug, Male - 2 Position	
1	4460465	2	Socket, Female	
2	70001442	1	Plug, Male - 2 Position	
2	See Note	NSS	Socket, Female (Note: Not Available for Purchase)	
3	70001443	1	Plug, Male - 2 Position	
4	4461261	1	Plug, Male - 1 Position	
4	4460509	1	Terminal	
5	See Note	NSS	Terminal, Ring (Note: Not Available for Purchase)	
6	See Note	NSS	Terminal, Ring (Note: Not Available for Purchase)	

SECTION 7 - ELECTRICAL

FIGURE 7-31. DRIVE FIELD CONNECTION HARNESS



ART_4923602

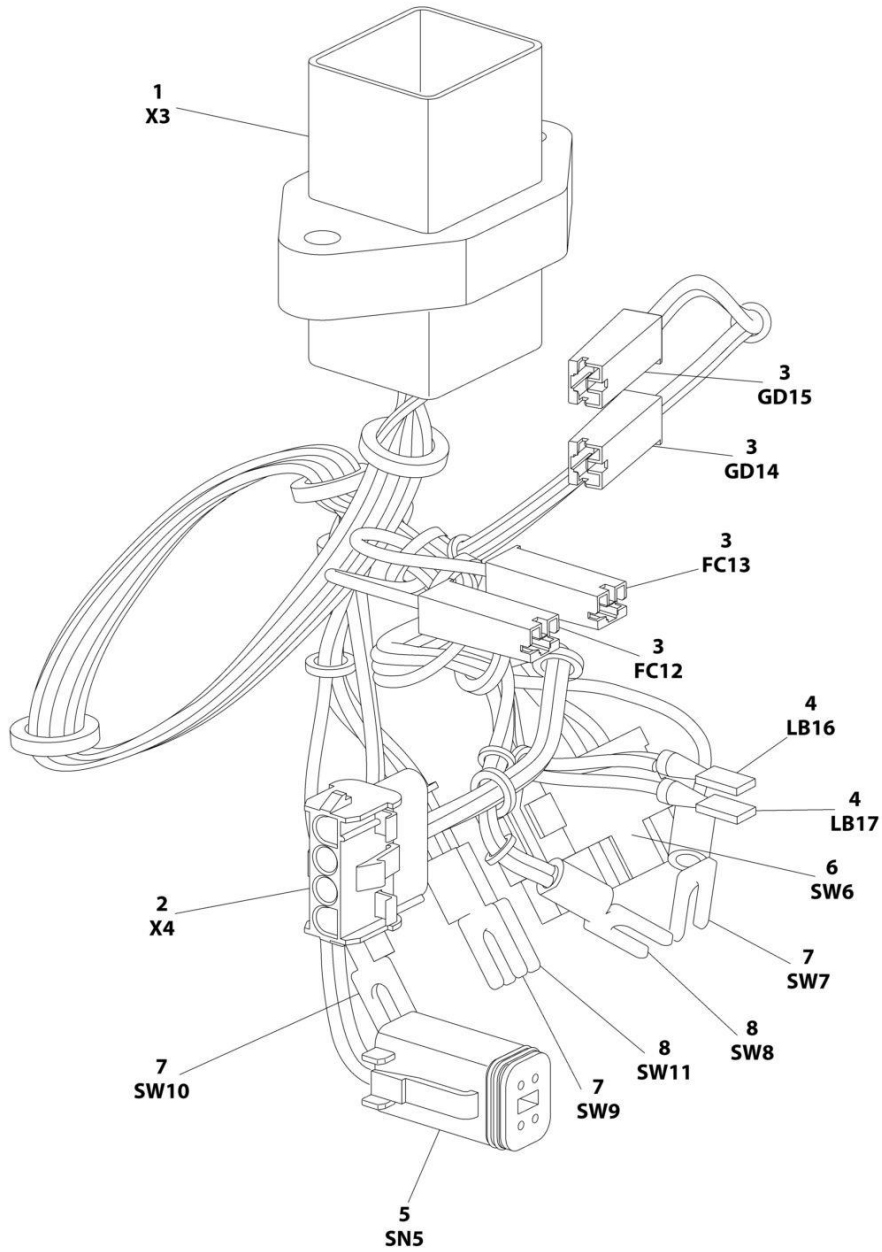
SECTION 7 - ELECTRICAL

FIGURE 7-31. DRIVE FIELD CONNECTION HARNESS

ITEM	PART NUMBER	QTY	DESCRIPTION	REV
	4923602	Ref	DRIVE FIELD CONNECTION HARNESS	C
1	4461260	2	Receptacle, Female - 1 Position	
3	4460508	2	Pin, Male	

SECTION 7 - ELECTRICAL

FIGURE 7-32. GROUND CONTROL BOX HARNESS (SN B200020297 through B200023284)



ART_1001114935

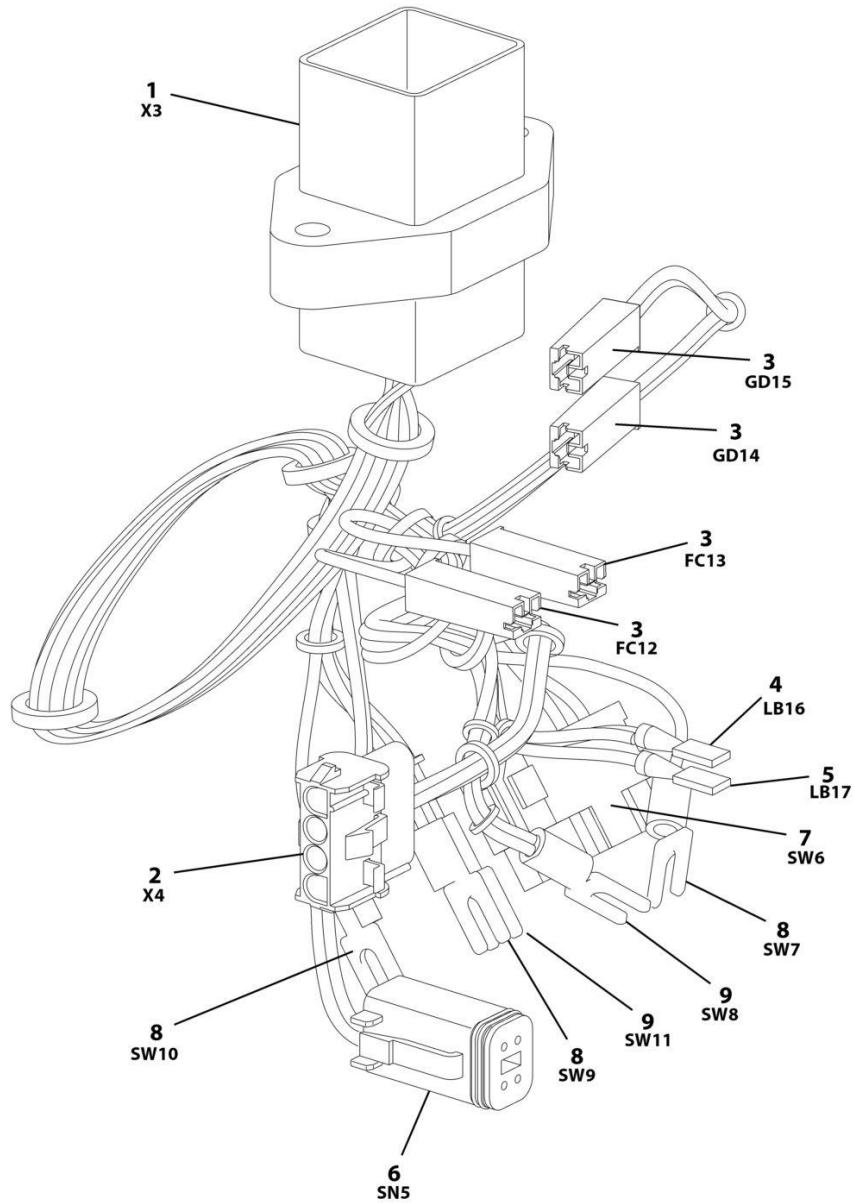
SECTION 7 - ELECTRICAL

FIGURE 7-32. GROUND CONTROL BOX HARNESS (SN B200020297 through B200023284)

ITEM	PART NUMBER	QTY	DESCRIPTION	REV
	1001114935	Ref	GROUND CONTROL BOX HARNESS	B
1	See Note	NSS	Connector - 18 Position (Note: Not Available for Purchase)	
1	See Note	NSS	Terminal (Note: Not Available for Purchase)	
2	4460961	1	Receptacle, Female - 4 Position	
2	4460267	4	Pin, Male	
3	4460260	4	Housing, Terminal	
3	4460259	4	Terminal	
4	See Note	NSS	Terminal	
5	4461077	1	Plug, Male - 4 Position	
5	4460944	4	Socket, Female	
6	4460418	1	Connector - 6 Position	
6	4460419	3	Terminal	
7	See Note	NSS	Terminal, Fork (Note: Not Available for Purchase)	
8	See Note	NSS	Terminal, Fork (Note: Not Available for Purchase)	

SECTION 7 - ELECTRICAL

FIGURE 7-33. GROUND CONTROL BOX HARNESS (SN 0200239382 to Present, SN 1200025021 to Present, SN B200023285 to Present, SN M200000100 through M200040097)



ART_1001167256

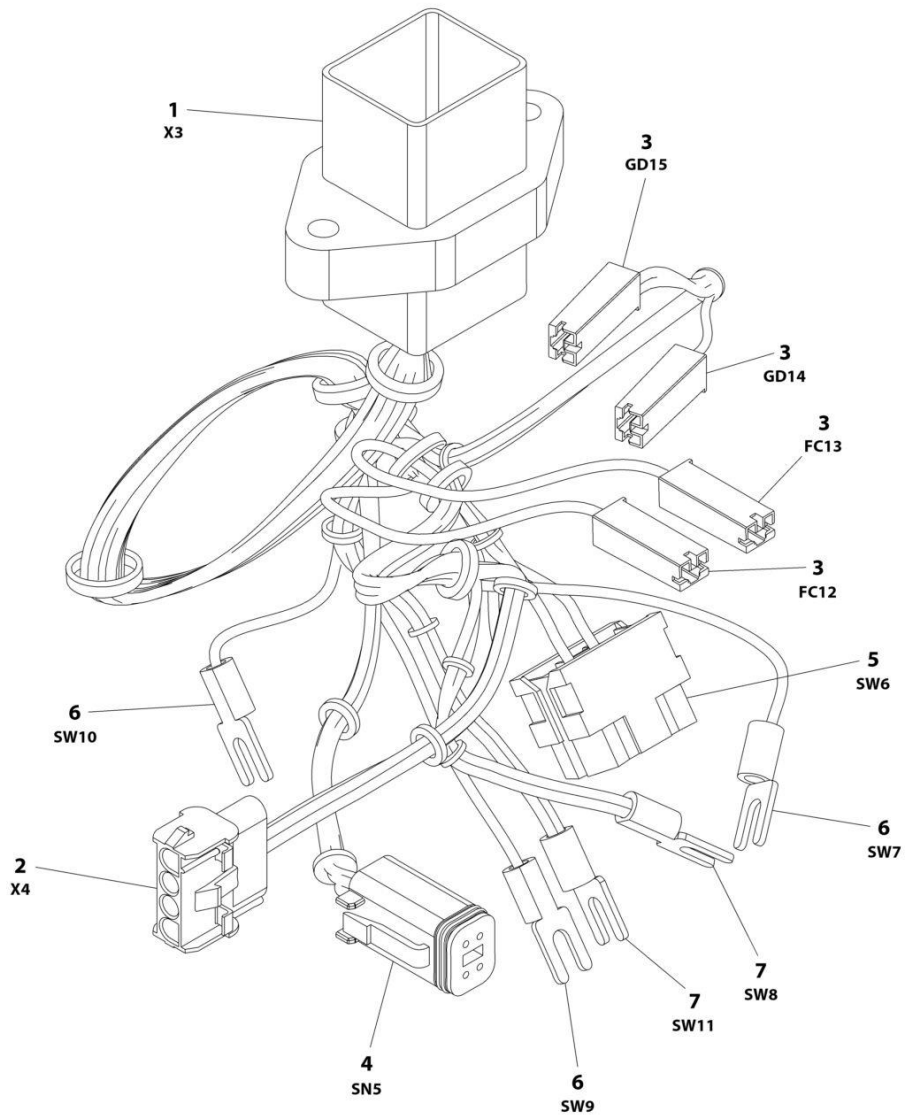
SECTION 7 - ELECTRICAL

FIGURE 7-33. GROUND CONTROL BOX HARNESS (SN 0200239382 to Present, SN 1200025021 to Present, SN B200023285 to Present, SN M200000100 through M200040097)

ITEM	PART NUMBER	QTY	DESCRIPTION	REV
	1001167256	Ref	GROUND CONTROL BOX HARNESS	E
1	1001115077	1	Connector - 18 Position	
1	4460464	14	Pin, Male	
1	4460943	2	Pin, Male	
1	4460466	2	Seal	
2	1001119032	1	Connector - 4 Position	
2	4460268	4	Socket, Female	
3	4460260	4	Housing, Terminal	
3	4460259	4	Terminal	
4	1001202618	1	Terminal	
5	1001202619	1	Terminal	
6	4461077	1	Connector - 4 Position (SN 0200239382 through 0200261430, SN B200023285 through B200038041, SN M200000100 through M200007496)	
6	4460884	1	Connector - 4 Position (SN 0200261430 to Present, SN 1200025021 to Present, SN B200038042 to Present, SN M200007497 through M200040097)	
6	4460918	4	Socket, Female	
7	4460418	1	Connector - 6 Position	
7	1001159186	3	Terminal	
8	4460183	3	Terminal, Fork	
9	4460115	2	Terminal, Fork	

SECTION 7 - ELECTRICAL

FIGURE 7-34. GROUND CONTROL BOX HARNESS - NO LSS (SN 0200266380 to Present, SN B200042931 to Present, SN M200012180 through M200040097)



ART_1001208641

SECTION 7 - ELECTRICAL

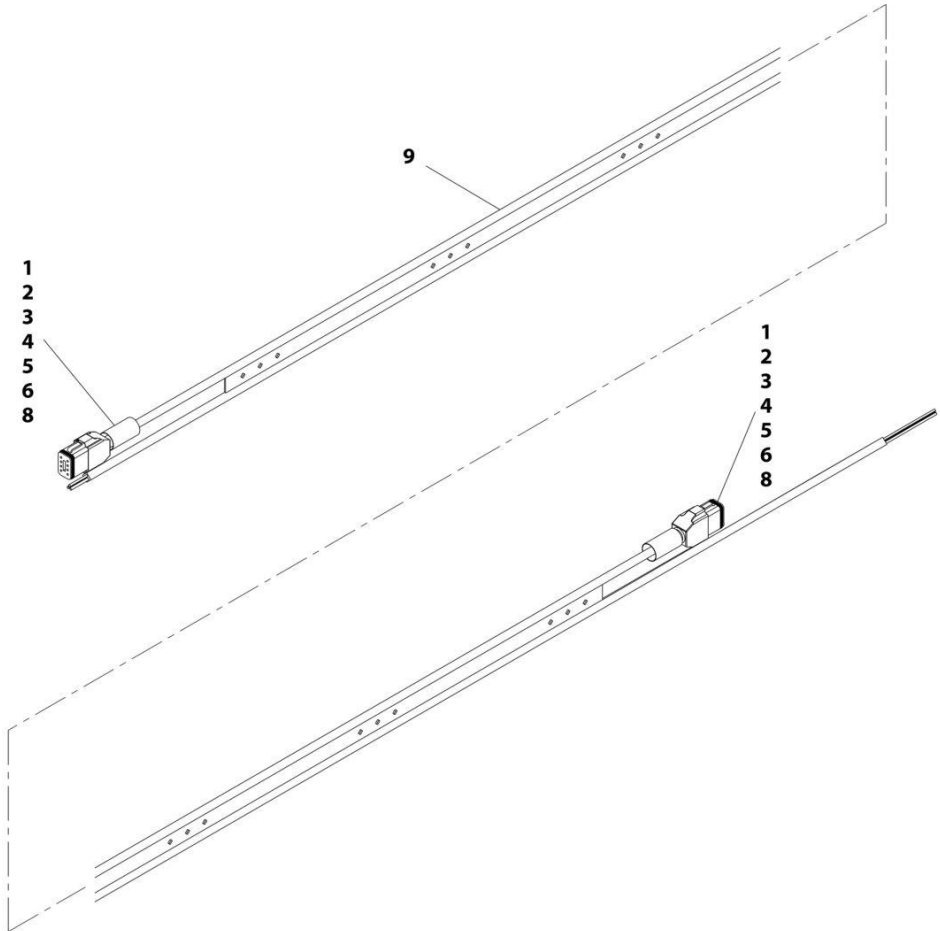
FIGURE 7-34. GROUND CONTROL BOX HARNESS - NO LSS (SN 0200266380 to Present, SN B200042931 to Present, SN M200012180 through M200040097)

ITEM	PART NUMBER	QTY	DESCRIPTION	REV
	1001208641	Ref	GROUND CONTROL BOX HARNESS - NO LSS	A
1	1001115077	1	Connector - 18 Position	
1	4460464	13	Pin, Male	
1	4460943	2	Pin, Male	
1	4460466	3	Seal	
2	1001119032	1	Connector - 4 Position	
2	4460268	4	Socket, Female	
3	4460260	4	Housing, Terminal	
3	4460259	4	Terminal	
4	4460884	1	Connector - 4 Position	
4	4460918	4	Socket, Female	
5	4460418	1	Connector - 6 Position	
5	1001159186	3	Terminal	
6	4460183	3	Terminal, Fork	
7	4460115	2	Terminal, Fork	

SECTION 7 - ELECTRICAL

FIGURE 7-35. GROUND TO PLATFORM HARNESS

USAGE CHART:
ANSI, CSA, JAPANESE AND UL SPECS (ALL MACHINES)
ANSI EXPORT AND CHINA SPECS
(SN 0200239382 THROUGH 0200248240,
SN B200020296 THROUGH B200024249,
SN M200000100 THROUGH M200000140)



ART_1001178685

SECTION 7 - ELECTRICAL

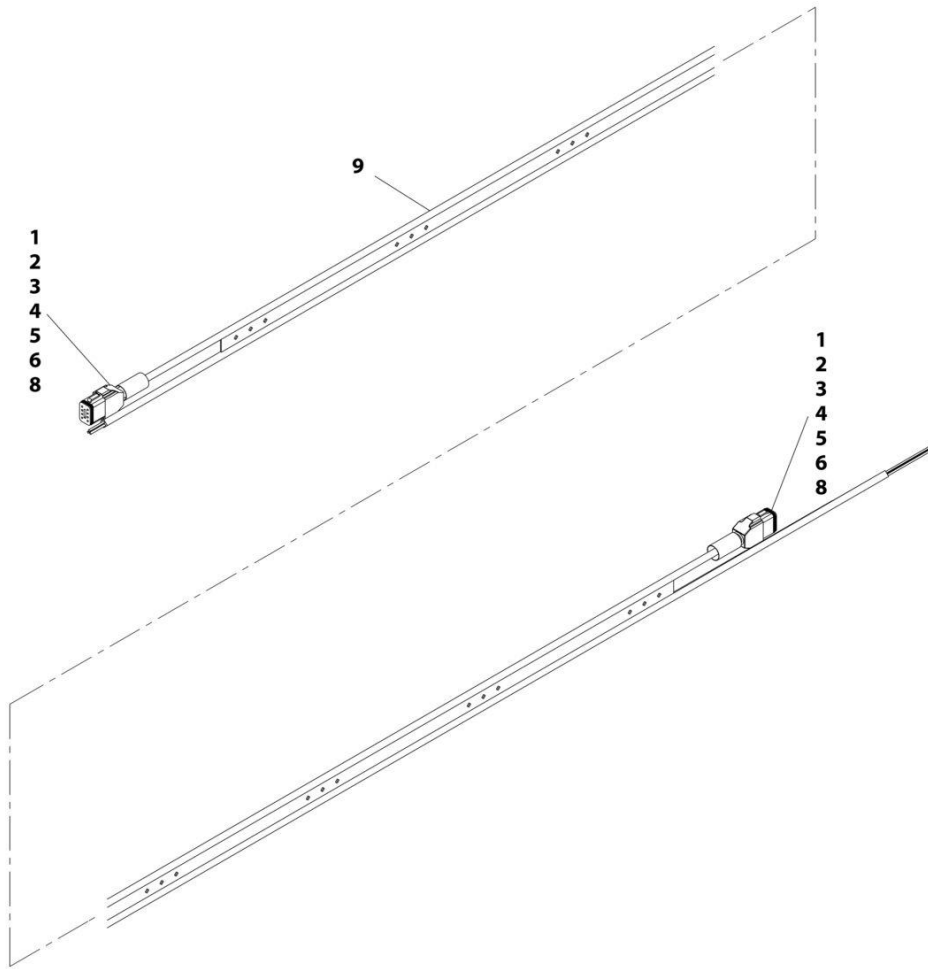
FIGURE 7-35. GROUND TO PLATFORM HARNESS

ITEM	PART NUMBER	QTY	DESCRIPTION	REV
	1001178685	Ref	GROUND TO PLATFORM HARNESS	D
		Ref	Usage Chart	
		Ref	ANSI, CSA, Japanese and UL Specs (All Machines)	
		Ref	ANSI Export and China Spec (SN 0200239382 through 0200248240, SN B200020296 through B200024249, SN M200000100 through M200000140)	
1	0840061	2	Boot	
2	2820026	AR	Insulator, Clear Tubing	
3	2820028	AR	Heat Shrink	
4	4460465	8	Socket, Female	
5	4460466	2	Plug, Terminal	
6	4460930	2	Plug, Male - 8 Position	
7	4460943	3	Pin, Male (Not Shown)	
8	4460944	6	Socket, Female (Gold)	
9	1001178682	AR	Cable	

SECTION 7 - ELECTRICAL

FIGURE 7-36. GROUND TO PLATFORM HARNESS

USAGE CHART:
ANSI EXPORT AND CHINA SPECS
(SN 0200248241 TO PRESENT,
SN B200024250 TO PRESENT,
SN M200000141 THROUGH M200040097)
AUSTRALIAN AND CE SPECS (ALL MACHINES)



ART_1001178683

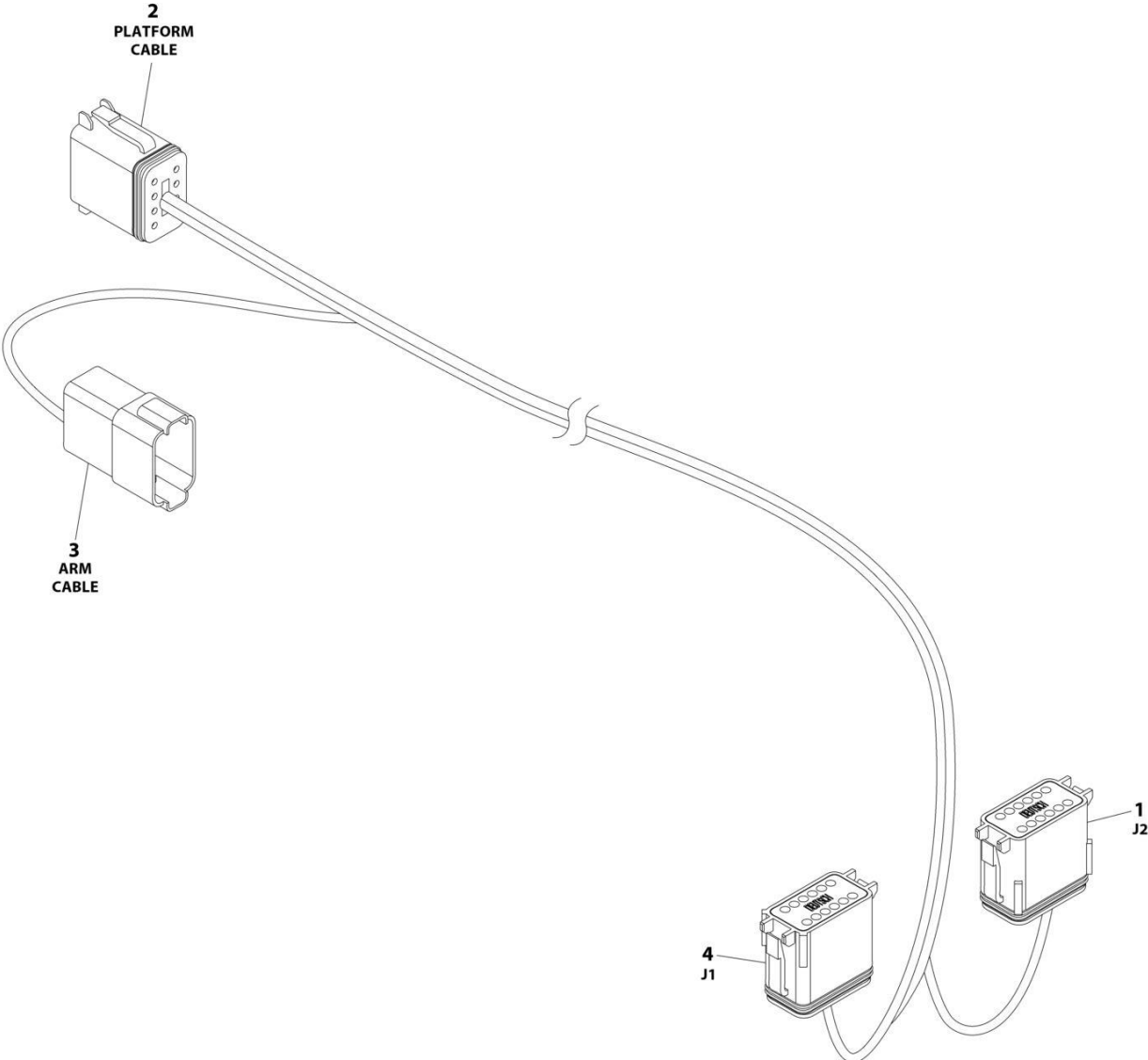
SECTION 7 - ELECTRICAL

FIGURE 7-36. GROUND TO PLATFORM HARNESS

ITEM	PART NUMBER	QTY	DESCRIPTION	REV
	1001178683	Ref	GROUND TO PLATFORM HARNESS	C
		Ref	Usage Chart	
		Ref	ANSI Export and China Specs (SN 0200248241 to Present, SN B200024250 to Present, SN M200000141 through M200040097)	
		Ref	Australian and CE Spec (All Machines)	
1	0840061	2	Boot	
2	2820026	AR	Insulator, Clear Tubing	
3	2820028	AR	Heat Shrink	
4	4460465	8	Socket, Female	
5	4460466	2	Plug, Terminal	
6	4460930	2	Plug, Male - 8 Position	
7	4460943	3	Pin, Male (Not Shown)	
8	4460944	6	Socket, Female (Gold)	
9	1001178682	AR	Cable	

SECTION 7 - ELECTRICAL

FIGURE 7-37. LOAD SENSE HARNESS WITHOUT FUSE



ART_4923228

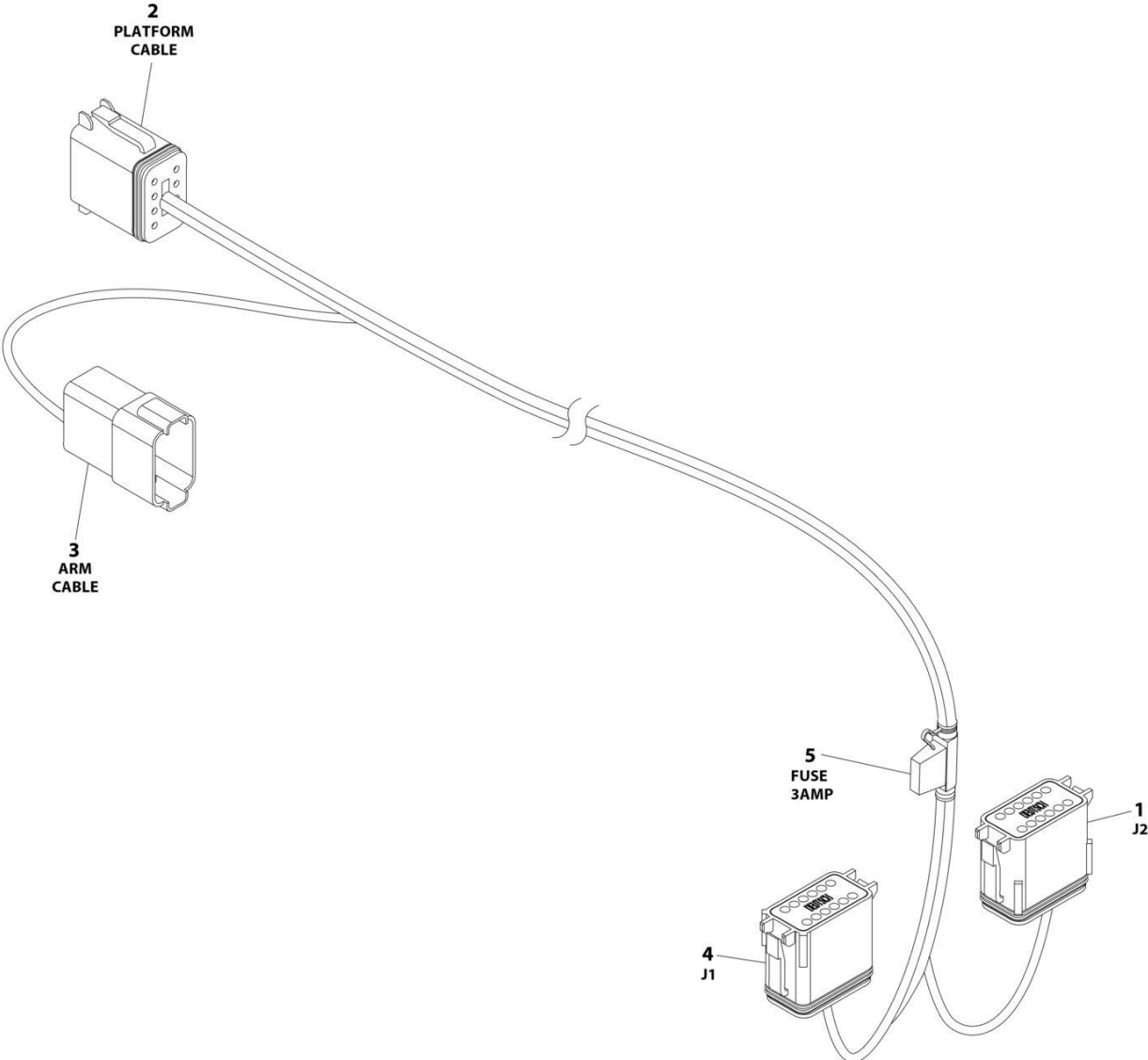
SECTION 7 - ELECTRICAL

FIGURE 7-37. LOAD SENSE HARNESS WITHOUT FUSE

ITEM	PART NUMBER	QTY	DESCRIPTION	REV
	4923228	Ref	LOAD SENSE HARNESS	D
1	4460836	1	Connector - 12 Position	
1	4460466	6	Plug, Sealing	
1	4460944	6	Socket, Female (Gold)	
1	0840055	1	Boot	
2	4460930	1	Connector - 8 Position	
2	4460465	4	Socket, Female	
2	4460466	1	Plug, Sealing	
2	4460944	3	Socket, Female (Gold)	
2	0840061	1	Boot	
3	4460931	1	Connector - 8 Position	
3	4460464	4	Pin, Male	
3	4460466	1	Plug, Sealing	
3	4460943	3	Pin, Male	
3	0840058	1	Boot	
4	4460933	1	Connector - 12 Position	
4	4460465	4	Socket, Female	
4	4460466	8	Plug, Sealing	
4	0840055	1	Boot	

SECTION 7 - ELECTRICAL

FIGURE 7-38. LOAD SENSE HARNESS WITH FUSE



ART_1001263062

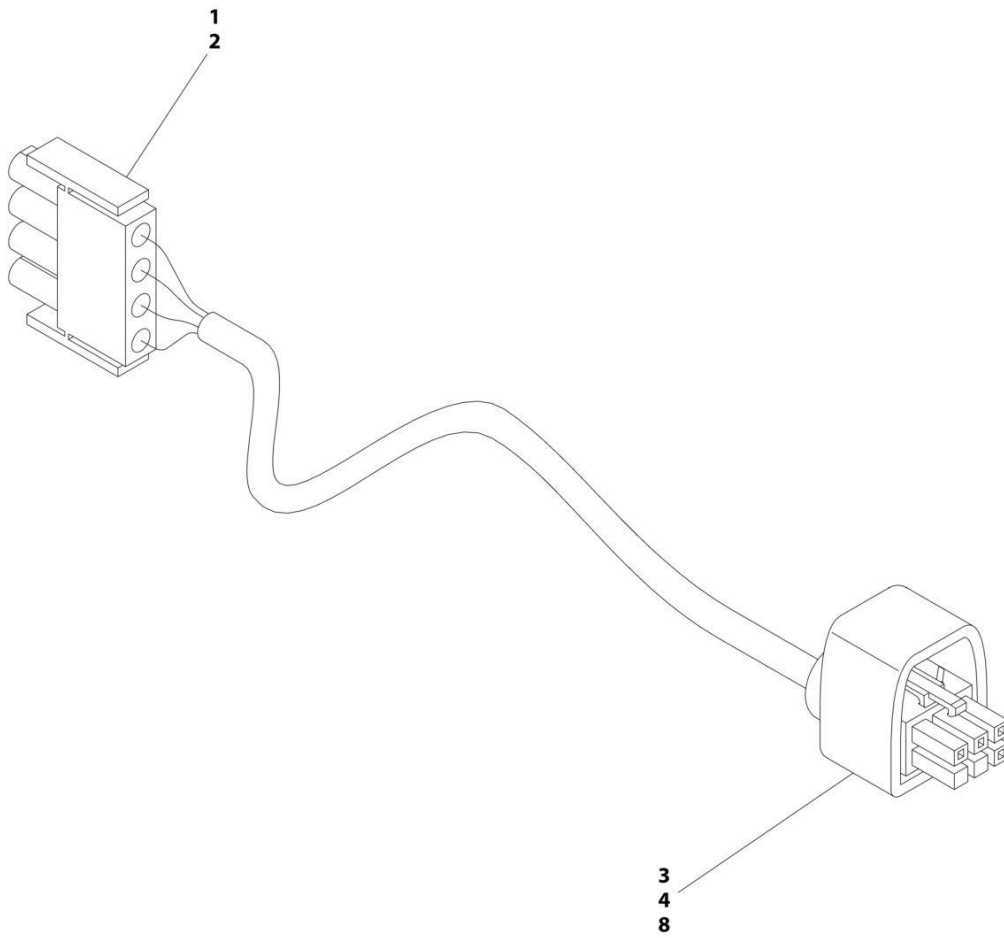
SECTION 7 - ELECTRICAL

FIGURE 7-38. LOAD SENSE HARNESS WITH FUSE

ITEM	PART NUMBER	QTY	DESCRIPTION	REV
	1001263062	Ref	LOAD SENSE HARNESS	A
1	4460836	1	Connector - 12 Position	
1	4460466	6	Plug, Sealing	
1	4460944	6	Socket, Female (Gold)	
1	0840055	1	Boot	
2	4460930	1	Connector - 8 Position	
2	4460465	4	Socket, Female	
2	4460466	1	Plug, Sealing	
2	4460944	3	Socket, Female (Gold)	
2	0840061	1	Boot	
3	4460931	1	Connector - 8 Position	
3	4460464	4	Pin, Male	
3	4460466	1	Plug, Sealing	
3	4460943	3	Pin, Male	
3	0840058	1	Boot	
4	4460933	1	Connector - 12 Position	
4	4460465	4	Socket, Female	
4	4460466	8	Plug, Sealing	
4	0840055	1	Boot	
5	2400060	1	Fuseholder with Cover	
5	1001196838	1	Fuse 3Amp	

SECTION 7 - ELECTRICAL

FIGURE 7-39. MDI (MULTIFUNCTION DIGITAL INDICATOR) HARNESS



ART_1001093556

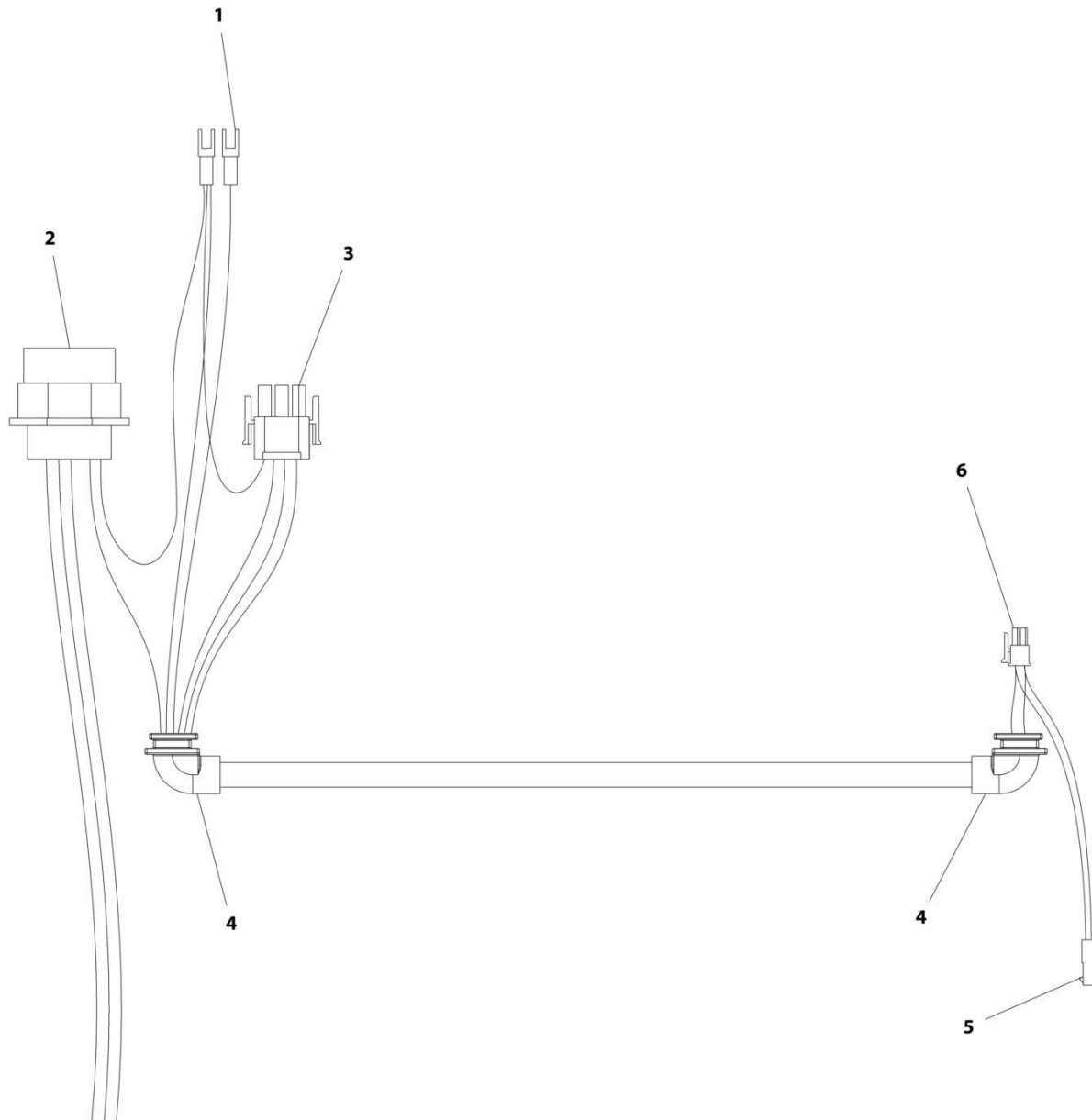
SECTION 7 - ELECTRICAL

FIGURE 7-39. MDI (MULTIFUNCTION DIGITAL INDICATOR) HARNESS

ITEM	PART NUMBER	QTY	DESCRIPTION	REV
	1001093556	Ref	MDI (MULTIFUNCTION DIGITAL INDICATOR) HARNESS	D
1	4460226	4	Socket, Female	
2	4460321	1	Plug, Male - 4 Position	
3	4460868	1	Plug, Male - 6 Position	
4	4460877	4	Terminal	
8	1001094105	1	Boot	

SECTION 7 - ELECTRICAL

FIGURE 7-40. PLATFORM BOX HARNESS



ART_4922870

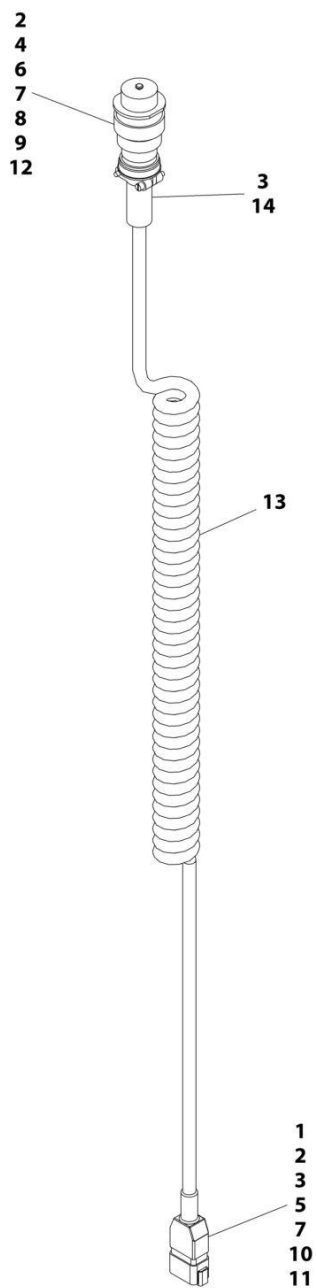
SECTION 7 - ELECTRICAL

FIGURE 7-40. PLATFORM BOX HARNESS

ITEM	PART NUMBER	QTY	DESCRIPTION	REV
	4922870	Ref	PLATFORM BOX HARNESS	D
1	4461016	1	Connector - 14 Position	
2	4460464	6	Pin, Male	
2	4460466	8	Plug, Sealing	
2	4460496	1	Lockwasher	
2	4460497	1	Nut, Panel	
3	4460265	1	Plug, Male - 9 Position	
3	4460267	8	Pin, Male	
4	2540042	2	Grommet 90	
5	See Note	NSS	Receptacle, Female - Position (Note: Not Available for Purchase)	
6	4461057	1	Plug, Male - 16 Position	

SECTION 7 - ELECTRICAL

FIGURE 7-41. PLATFORM CABLE ASSEMBLY (SN 0200239382 through 0200262428, SN 1200025021 to Present, SN B200020297 to Present, SN M200000100 through M200010194)



ART_1001096705

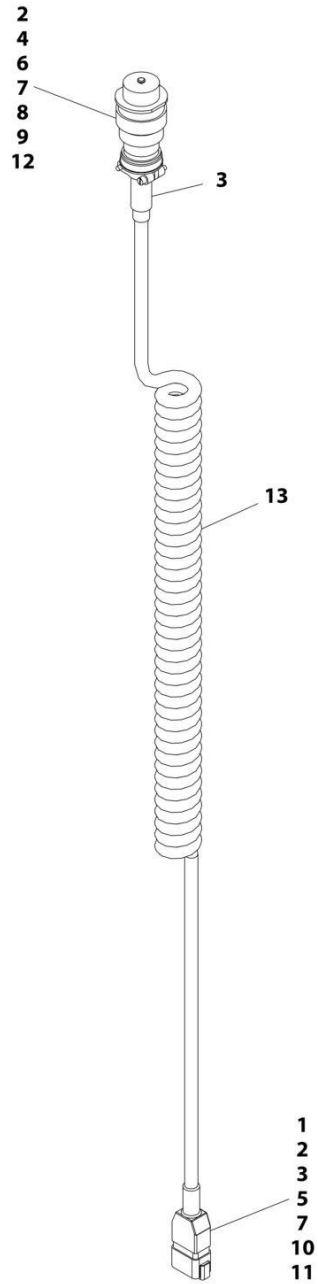
SECTION 7 - ELECTRICAL

FIGURE 7-41. PLATFORM CABLE ASSEMBLY (SN 0200239382 through 0200262428, SN 1200025021 to Present, SN B200020297 to Present, SN M200000100 through M200010194)

ITEM	PART NUMBER	QTY	DESCRIPTION	REV
	1001096705	Ref	PLATFORM CABLE ASSEMBLY	G
1	0840058	1	Boot, 8 Position Receptacle	
2	2820026	AR	Insulation, Clear Tubing	
3	2820028	AR	Heat Shrink	
4	3730119	1	Resistor	
5	4460464	4	Pin, Male	
6	4460465	4	Socket, Female	
7	4460466	5	Plug, Sealing	
8	4460493	1	Cap, Dust	
9	4460754	1	Connector - 14 Position	
10	4460931	1	Receptacle, Female - 8 Position	
11	4460943	3	Pin, Male (Gold)	
12	4460944	3	Socket, Female	
13	1001094167	1	Cable, Platform Coil	
14	1001226400	1	Insulate, Heat Shrink	

SECTION 7 - ELECTRICAL

FIGURE 7-42. PLATFORM CABLE ASSEMBLY (SN 0200262429 to Present, SN M200010195 through M200040097)



ART_1001201242

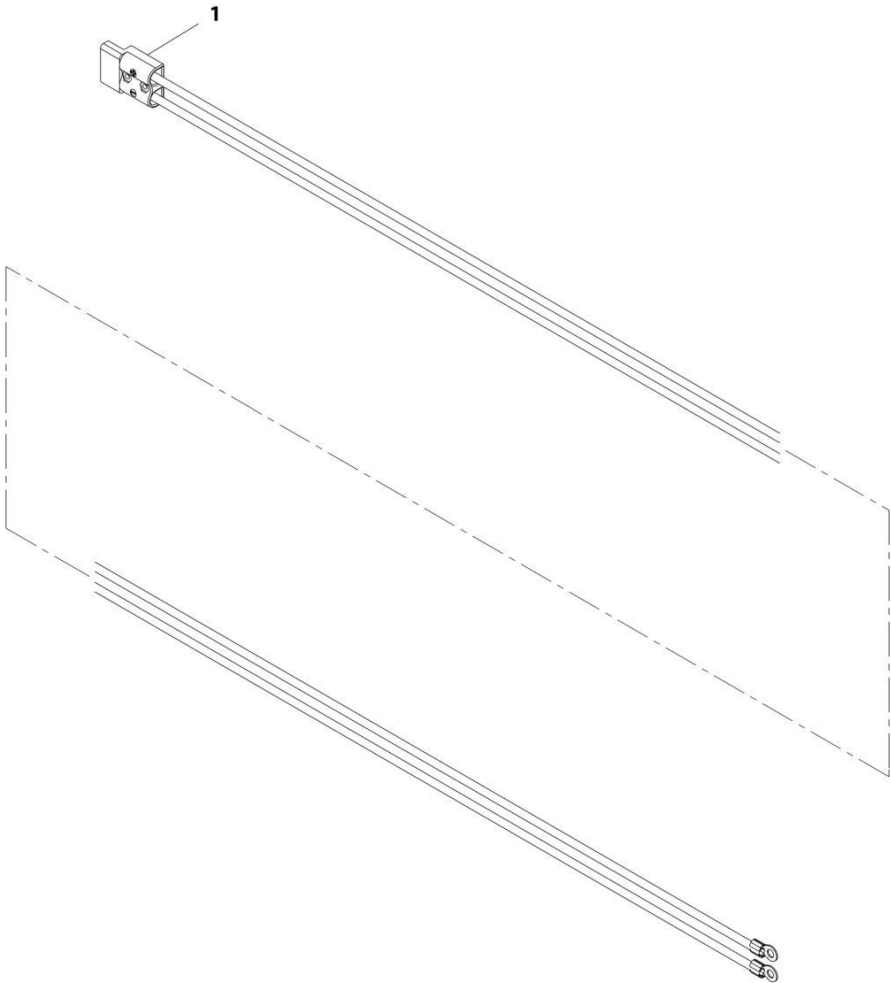
SECTION 7 - ELECTRICAL

FIGURE 7-42. PLATFORM CABLE ASSEMBLY (SN 0200262429 to Present, SN M200010195 through M200040097)

ITEM	PART NUMBER	QTY	DESCRIPTION	REV
	1001201242	Ref	PLATFORM CABLE ASSEMBLY	B
1	0840058	1	Boot, 8 Position Receptacle	
2	2820026	AR	Insulation, Clear Tubing	
3	2820028	AR	Heat Shrink	
4	3730119	1	Resistor	
5	4460464	4	Pin, Male	
6	4460465	4	Socket, Female	
7	4460466	5	Plug, Sealing	
8	4460493	1	Cap, Dust	
9	4460754	1	Connector - 14 Position	
10	4460931	1	Receptacle, Female - 8 Position	
11	4460943	3	Pin, Male (Gold)	
12	4460944	3	Socket, Female	
13	1001201239	1	Cable, Platform Coil	

SECTION 7 - ELECTRICAL

FIGURE 7-43. PUMP POWER CABLE ASSEMBLY



ART_1001178536

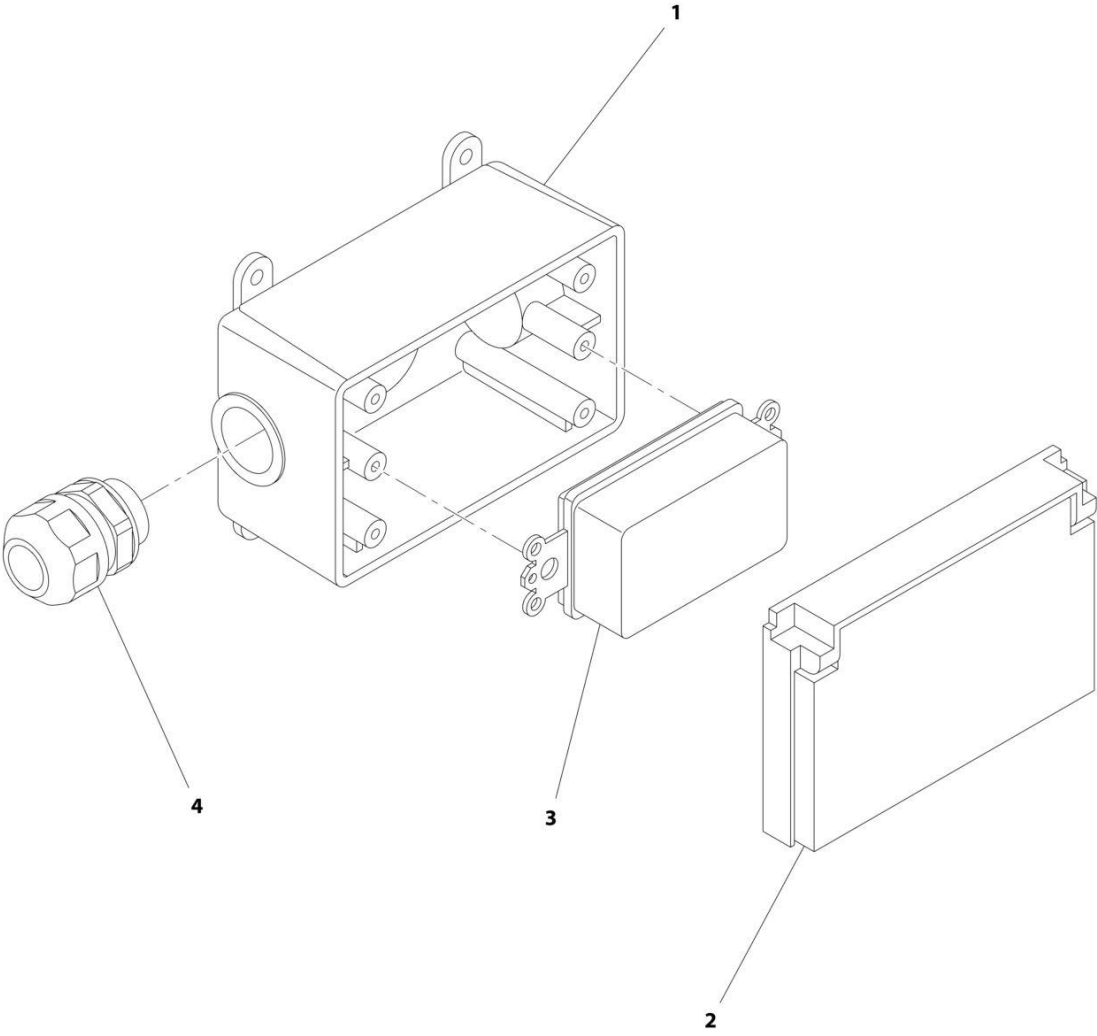
SECTION 7 - ELECTRICAL

FIGURE 7-43. PUMP POWER CABLE ASSEMBLY

ITEM	PART NUMBER	QTY	DESCRIPTION	REV
1	1001178536 4460778	Ref 1	PUMP POWER CABLE ASSEMBLY Connector, Anderson	B

SECTION 7 - ELECTRICAL

FIGURE 7-44. RECEPTACLE BOX KIT – 110V GFI



ART_2902431

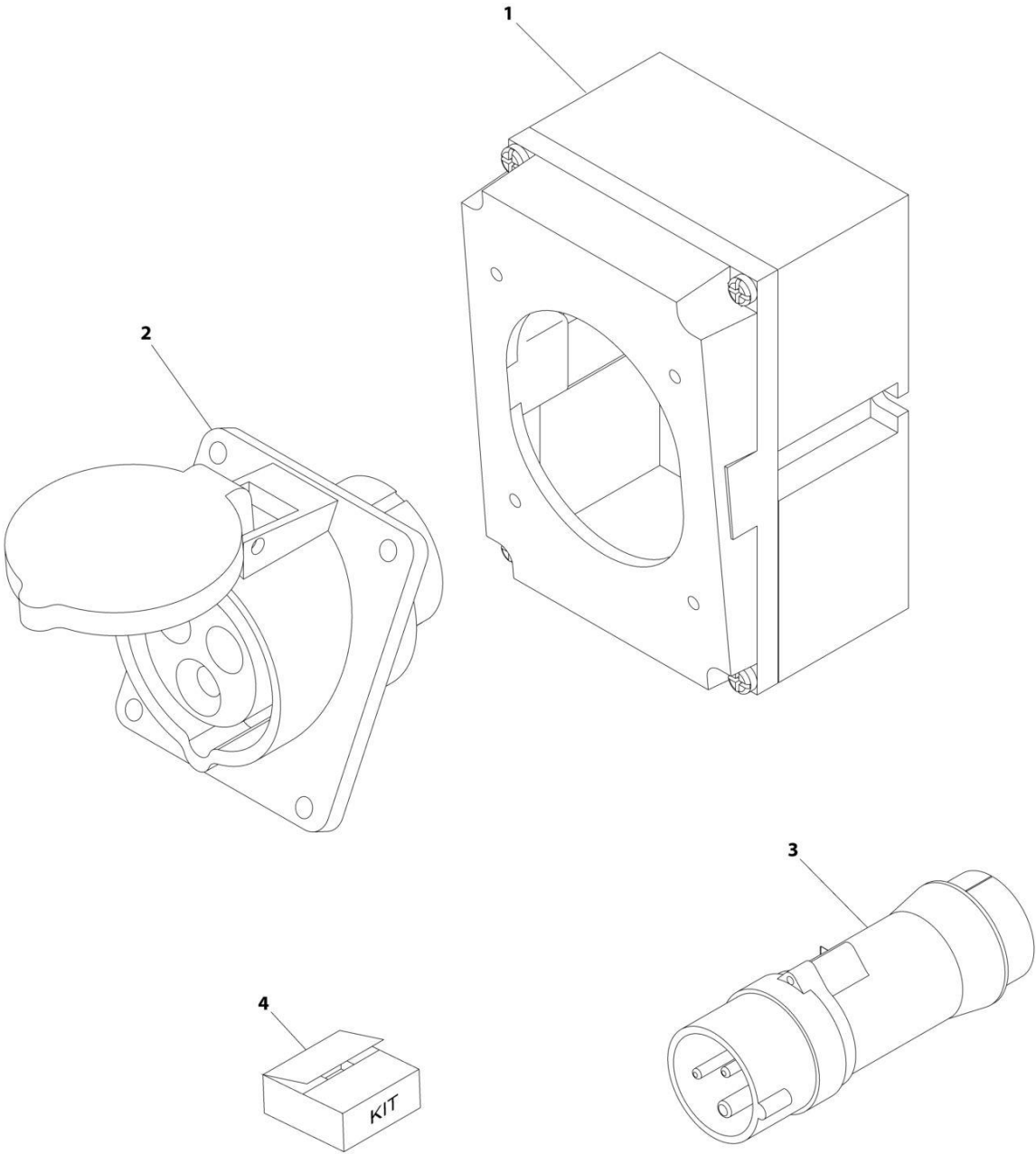
SECTION 7 - ELECTRICAL

FIGURE 7-44. RECEPTACLE BOX KIT – 110V GFI

ITEM	PART NUMBER	QTY	DESCRIPTION	REV
	2902431	Ref	RECEPTACLE BOX KIT - 110V GFI	C
1	0861731	1	Box, Receptacle	
2	1671207	1	Cover, Receptacle	
3	4460346	1	Receptacle	
4	4460662	1	Connector, Strain Relief	

SECTION 7 - ELECTRICAL

FIGURE 7-45. RECEPTACLE BOX KIT – 110V IEC YELLOW (CE SPEC)



ART_0275216

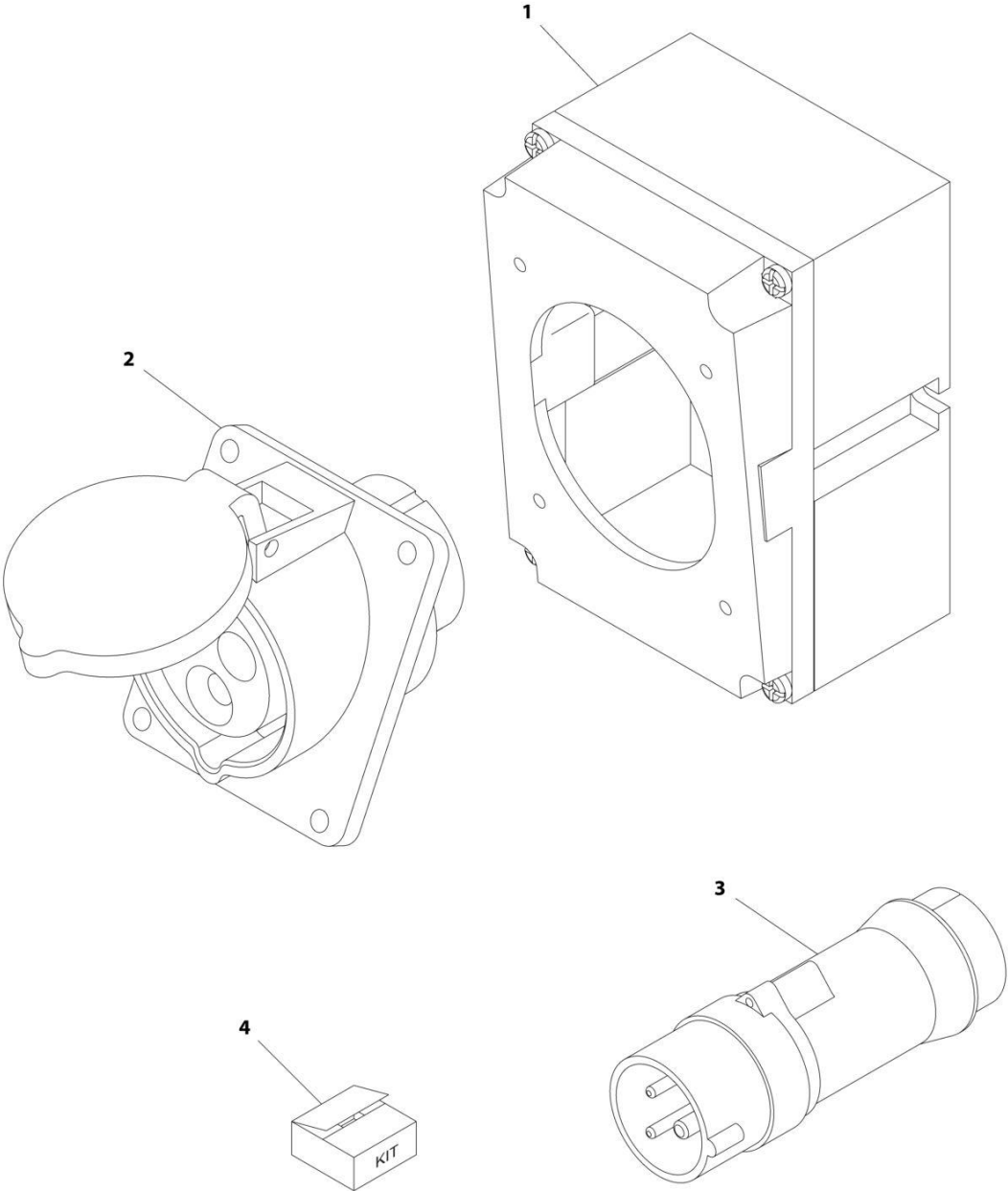
SECTION 7 - ELECTRICAL

FIGURE 7-45. RECEPTACLE BOX KIT – 110V IEC YELLOW (CE SPEC)

ITEM	PART NUMBER	QTY	DESCRIPTION	REV
	0275216	Ref	RECEPTACLE BOX KIT - 110V IEC YELLOW	B
1	0861781	1	Box, Switch	
2	4461198	1	Receptacle	
3	4461196	1	Plug, Male	
4	1001100341	1	Plug and Socket Kit (Includes Items 1-3 and Female Plug p/n 4461197)	

SECTION 7 - ELECTRICAL

FIGURE 7-46. RECEPTACLE BOX KIT – 220V IEC BLUE (CE SPEC)



ART_0275217

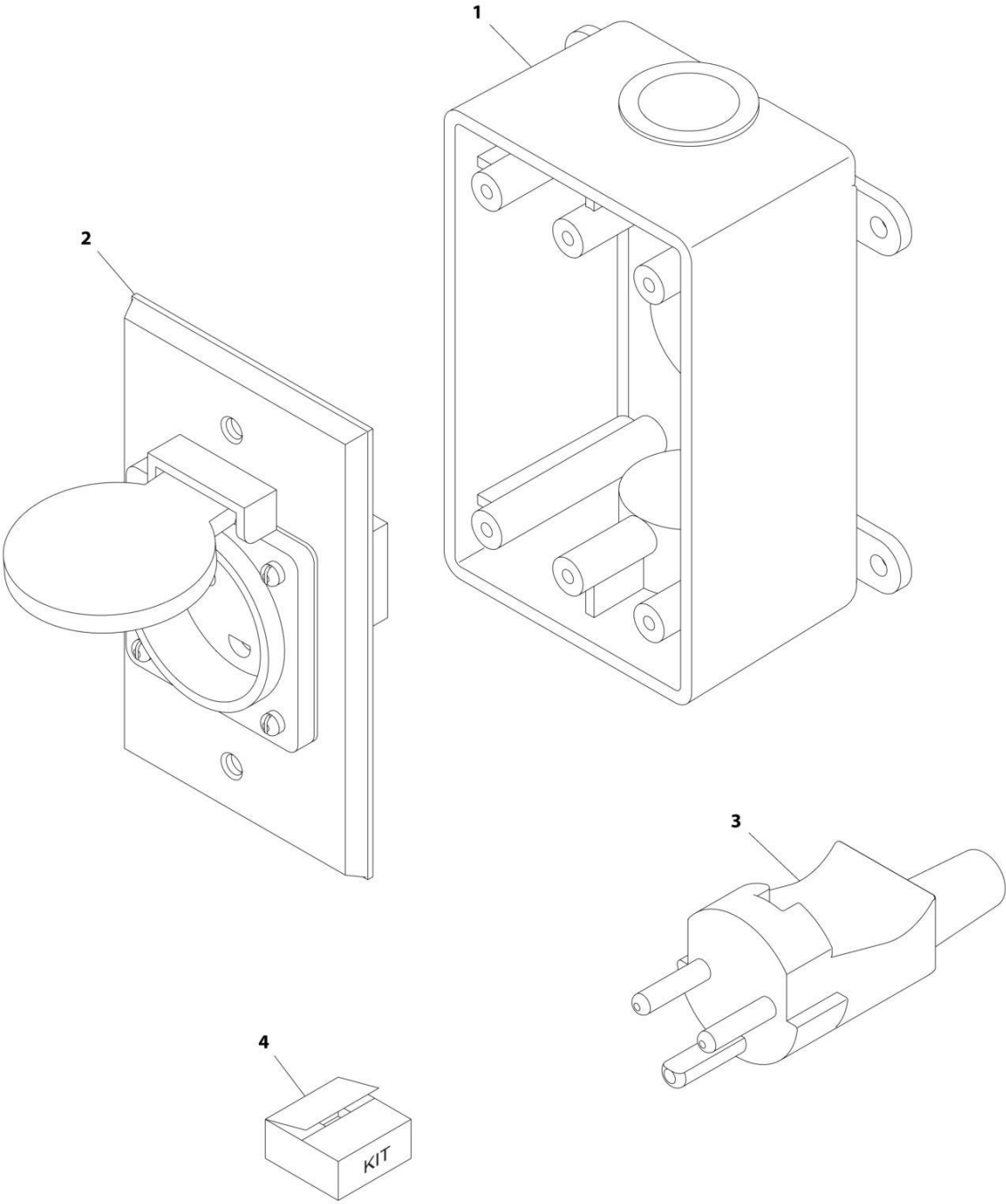
SECTION 7 - ELECTRICAL

FIGURE 7-46. RECEPTACLE BOX KIT – 220V IEC BLUE (CE SPEC)

ITEM	PART NUMBER	QTY	DESCRIPTION	REV
	0275217	Ref	RECEPTACLE BOX KIT - 220V IEC BLUE	B
1	0861781	1	Box, Switch	
2	4461201	1	Receptacle	
3	4461199	1	Plug, Male	
4	1001100342	1	Plug and Socket Kit (Includes Items 1-3 and Female Plug p/n 4461200)	

SECTION 7 - ELECTRICAL

FIGURE 7-47. RECEPTACLE BOX KIT – 220V AFSINT 107 (CE SPEC)



ART_0275454

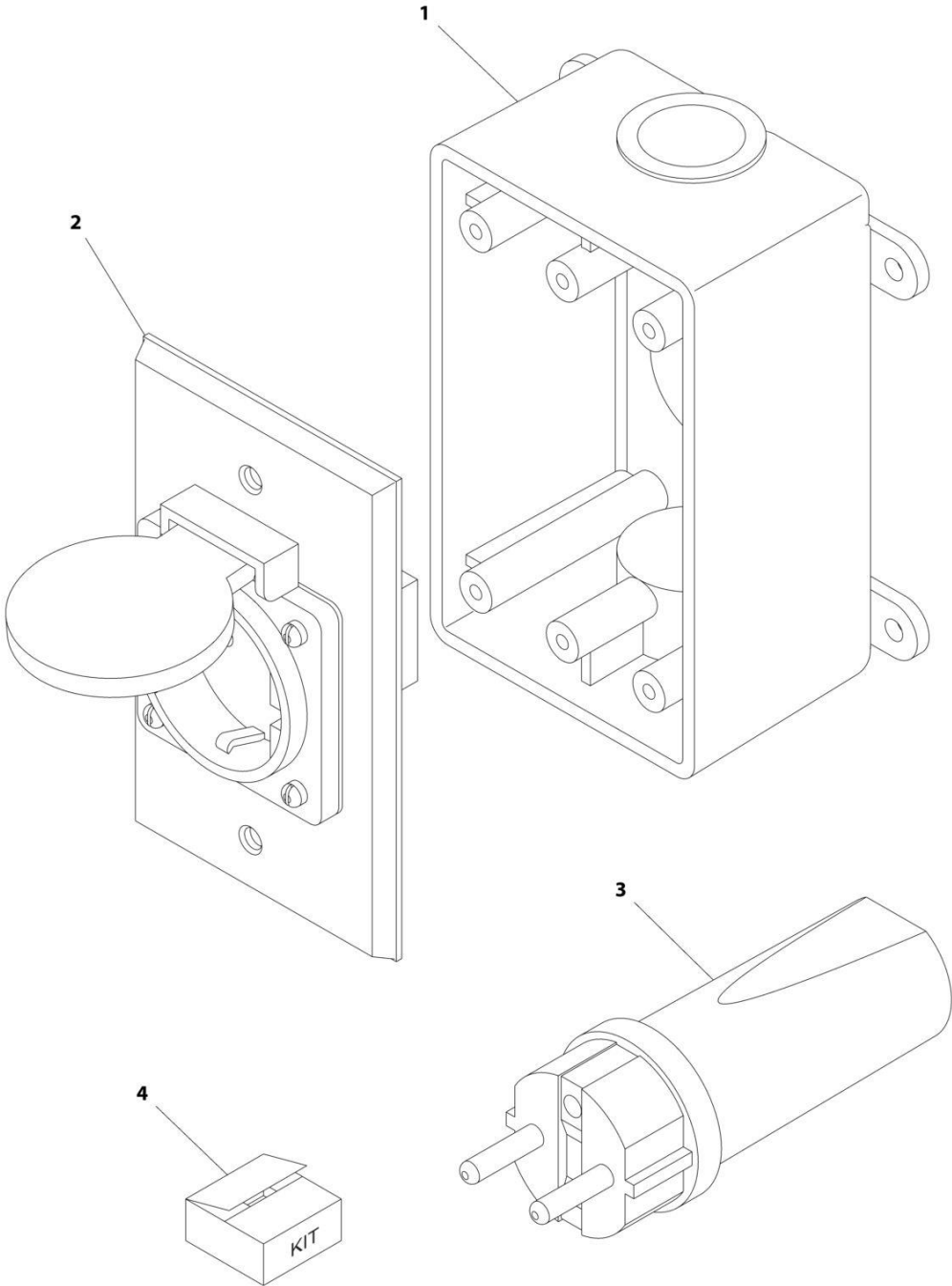
SECTION 7 - ELECTRICAL

FIGURE 7-47. RECEPTACLE BOX KIT – 220V AFSINT 107 (CE SPEC)

ITEM	PART NUMBER	QTY	DESCRIPTION	REV
	0275454	Ref	RECEPTACLE BOX KIT - 220V AFSINT 107	B
1	0861731	1	Box, Switch	
2	4461246	1	Receptacle	
3	4461249	1	Plug, Male	
4	1001100346	1	Plug and Socket Kit (Includes Items 1-3 and Female Plug p/n 4461250)	

SECTION 7 - ELECTRICAL

FIGURE 7-48. RECEPTACLE BOX KIT – 220V CEE7 SIDE GROUND (CE SPEC)



ART_0275453

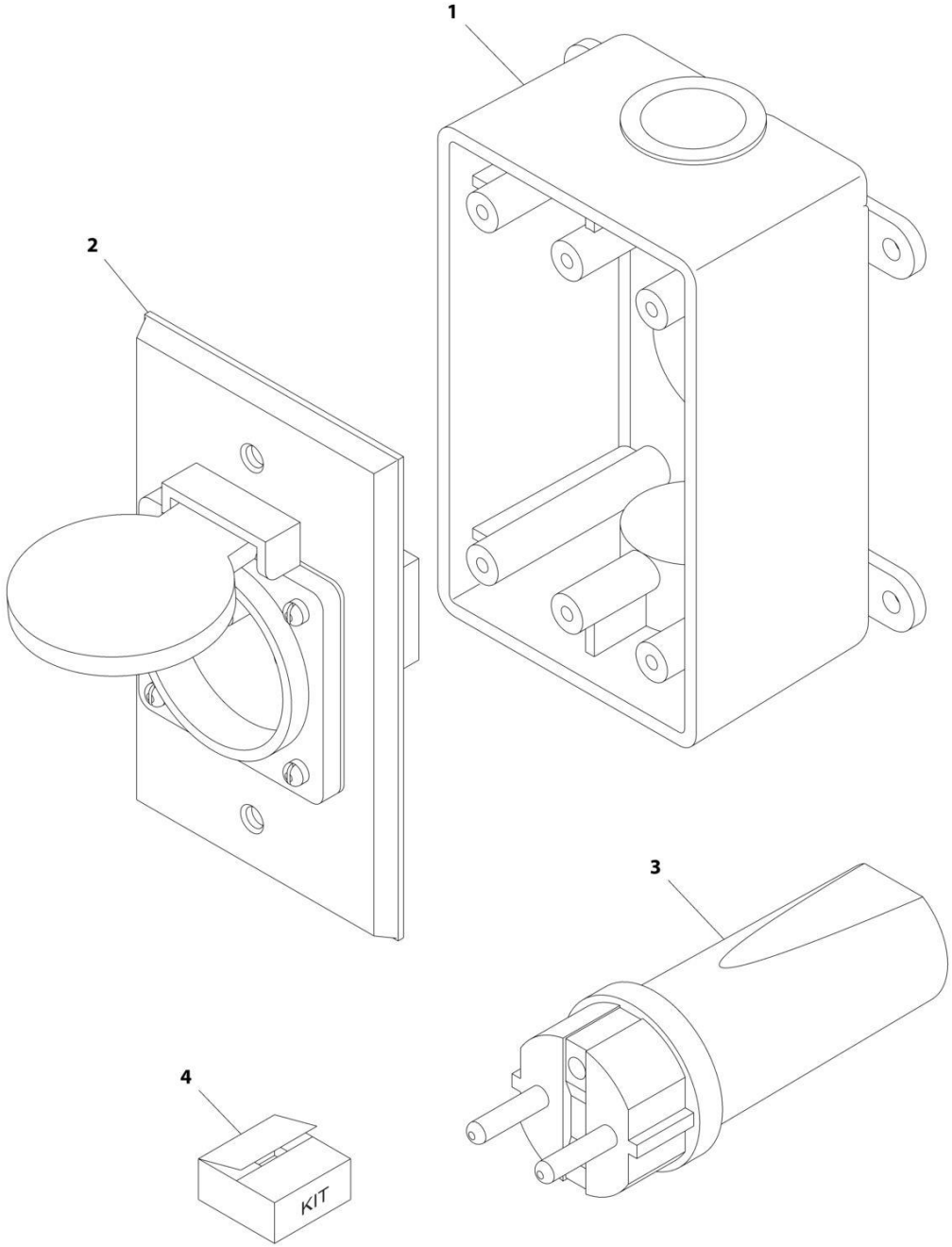
SECTION 7 - ELECTRICAL

FIGURE 7-48. RECEPTACLE BOX KIT – 220V CEE7 SIDE GROUND (CE SPEC)

ITEM	PART NUMBER	QTY	DESCRIPTION	REV
	0275453	Ref	RECEPTACLE BOX KIT - 220V CEE7 SIDE GROUND	B
1	0861731	1	Box, Switch	
2	4461245	1	Receptacle	
3	4461205	1	Plug, Male	
4	1001100347	1	Plug and Socket Kit (Includes Items 1-3 and Female Plug p/n 4461206)	

SECTION 7 - ELECTRICAL

FIGURE 7-49. RECEPTACLE BOX KIT – 220V CEE7 POST GROUND (CE SPEC)



ART_0275452

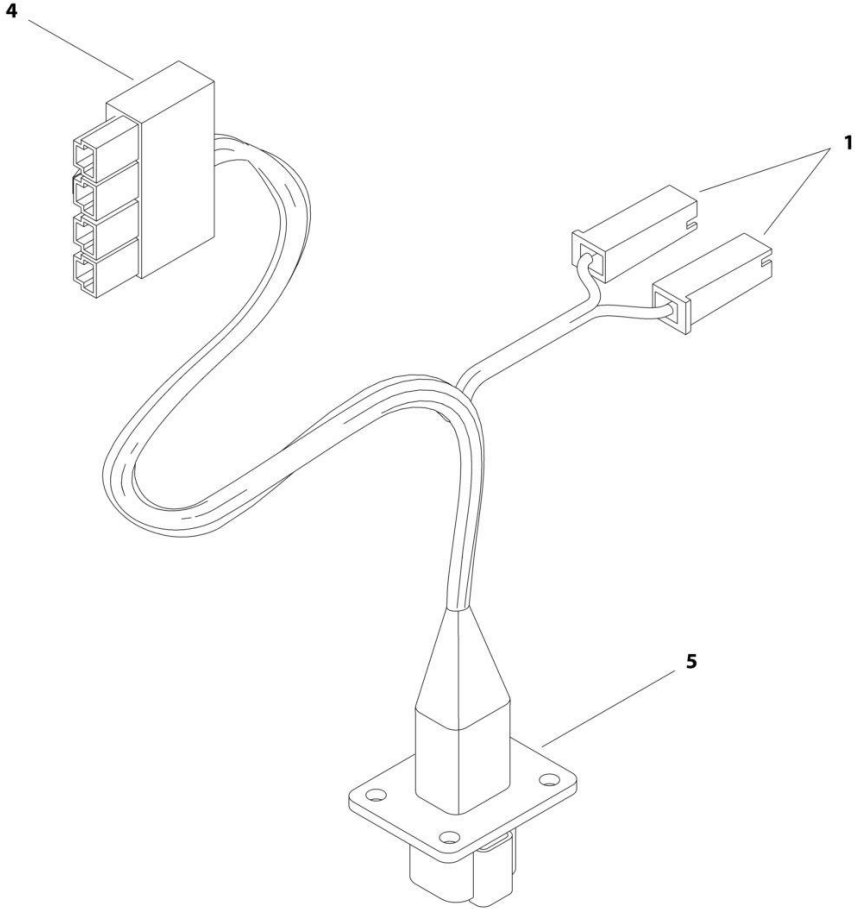
SECTION 7 - ELECTRICAL

FIGURE 7-49. RECEPTACLE BOX KIT – 220V CEE7 POST GROUND (CE SPEC)

ITEM	PART NUMBER	QTY	DESCRIPTION	REV
	0275452	Ref	RECEPTACLE BOX KIT - 220V CEE7 POST GROUND (CE SPEC)	C
1	0861731	1	Box, Switch	
2	4461244	1	Receptacle	
3	4461202	1	Plug, Male (Use p/n 4461205) (SN 0200239382 through 0200256617, SN B200020297 through B200037242, SN M200000100 through M200002249)	
3	4461205	1	Plug, Male (SN 0200256618 to Present, SN B200037243 to Present, SN M200002250 through M200040097)	
4	1001100345	1	Plug and Socket Kit (Includes Items 1-3 and Female Plug p/n 4461206)	

SECTION 7 - ELECTRICAL

FIGURE 7-50. WORKSTATION POWER HARNESS



ART_4923121

SECTION 7 - ELECTRICAL

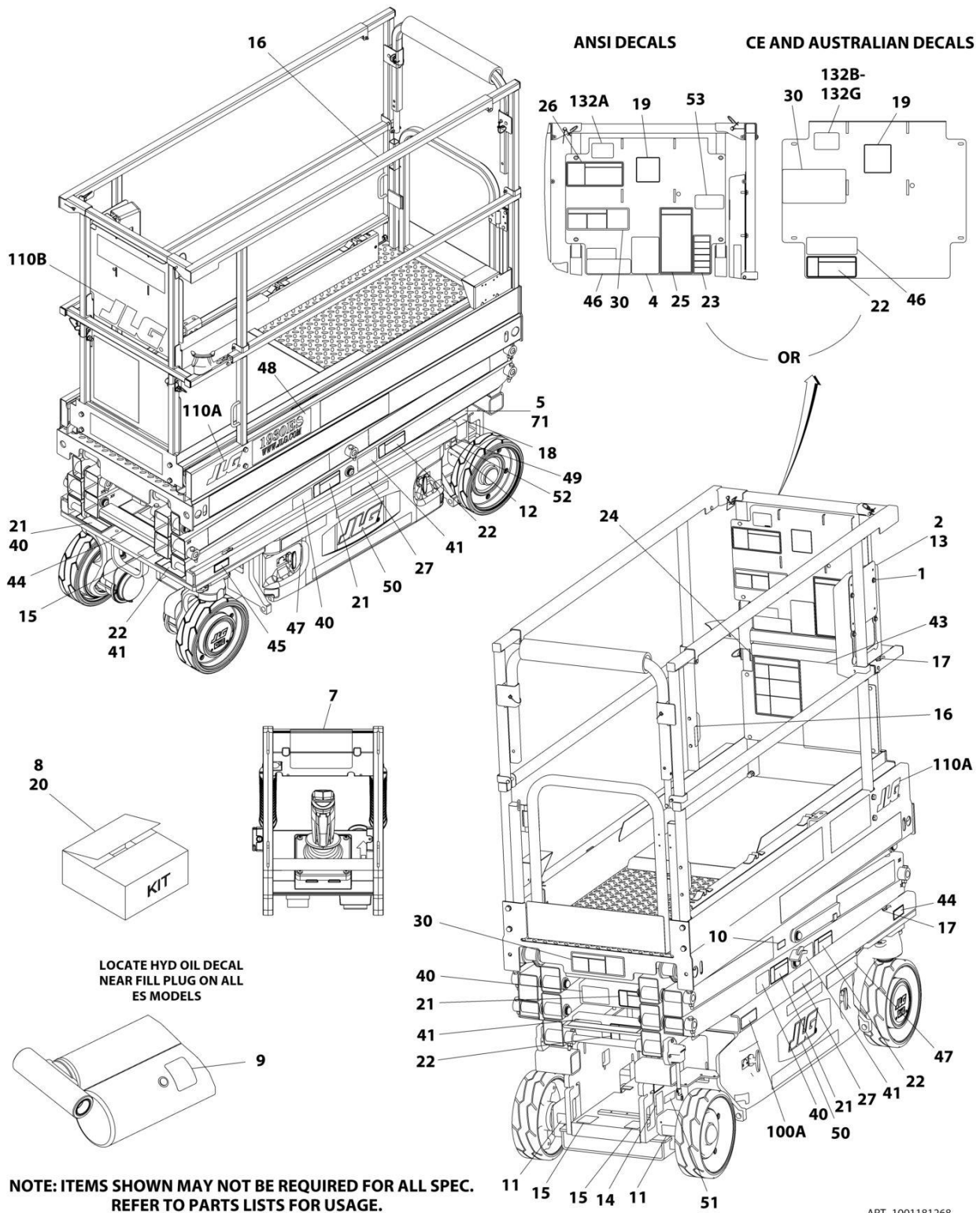
FIGURE 7-50. WORKSTATION POWER HARNESS

ITEM	PART NUMBER	QTY	DESCRIPTION	REV
	4923121	Ref	WORKSTATION POWER HARNESS	B
1	4460260	2	Housing, Terminal	
1	4460297	2	Terminal	
4	4460878	1	Connector - 4 Position	
4	4460887	4	Terminal	
5	4460885	1	Connector - 4 Position	
5	4460464	4	Pin, Male	

SECTION 8 - DECALS

SECTION 8 - DECALS

FIGURE 8-1. DECAL INSTALLATION - ANSI SPEC (ENGLISH)



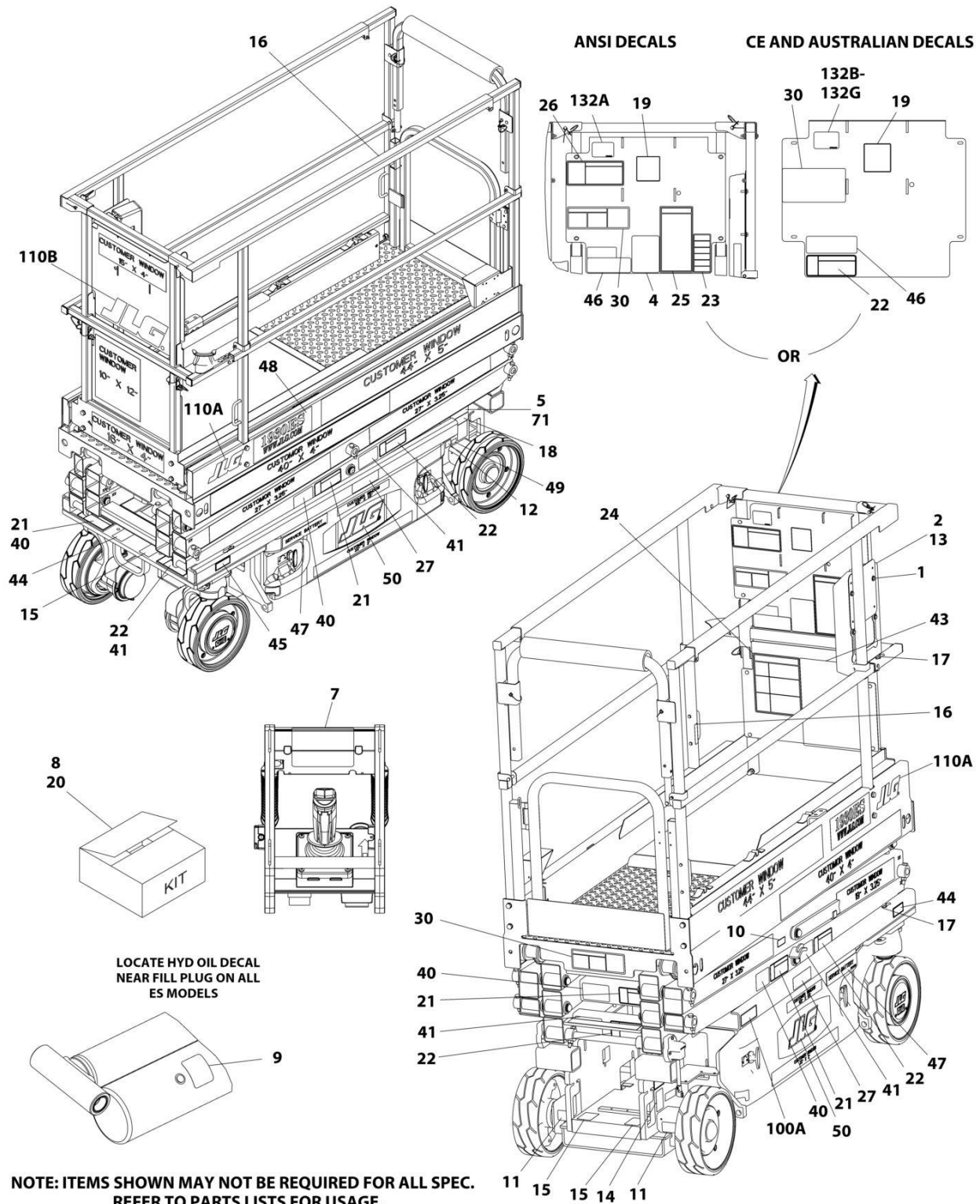
SECTION 8 - DECALS

FIGURE 8-1. DECAL INSTALLATION - ANSI SPEC (ENGLISH)

ITEM	PART NUMBER	QTY	DESCRIPTION	REV
	1001181268	Ref	DECAL INSTALLATION - ANSI SPEC (ENGLISH)	G
		Ref	Note: See DECAL INSTALLATION - OPTIONS for additional decals.	
1	2080040	4	Fastener	
2	0860520	1	Box, Manual Storage	
4	1001131270	1	Decal - Patent	
5	2080057	4	Fastener	
7	See Note	1	Decal - Bar Code (Note: Not Available for Purchase)	
8	2902267	1	Decal Kit - Master (Standard Decals) (Includes Items 9-19 & 44)	B
9	1704412	1	Decal - Hydraulic Oil	
10	1705693	1	Decal - Safety Prop	
11	1704016	2	Decal - Forklift	
12	1702155	1	Decal - Battery Disconnect	
13	1701509	1	Decal - Manual Reference	
14	1703811	4	Decal - Lifting Lugs	
15	1703814	3	Decal - Tie Down	
16	1704277	3	Decal - Lanyard Attach	
17	1703819	4	Decal - Directional Arrow	
18	1703822	1	Decal - Manual Descent Instructions	
19	1705692	1	Decal - Control Box Location	
20	2902522	1	Decal Kit - ANSI Spec (Includes Items 21-27)	B
21	1705694	4	Decal - Crushing	
22	1705695	4	Decal - Danger Electrocution	
23	1705686	1	Decal - Legend	
24	1705680	1	Decal - Danger/Warning	
25	1705679	1	Decal - Inspection	
26	1705681	1	Decal - Electrocution	
27	1703813	2	Decal - Warning Battery Ventilation	
44	1701499	1	Decal - No Lift (Part of Item 8)	
46	1001094359	1	Decal - Troubleshooting	
47	1001146794	2	Decal - See Manual	
49	1001216313	1	Decal - 24 Volts (SN 0200257823 to Present, SN B200037273 to Present, SN M200002935 through M200040097)	
50	1705754	2	Decal - JLG (SN 0200262153 to Present, SN B200038196 to Present, SN M200007969 through M200040097)	
51	1001223055	1	Decal - Yearly Inspection (SN B200045817 to Present, SN M2000151192 through M200040097)	
52	1001228370	1	Decal - CSA Ices (SN B200045817 to Present, SN M2000151192 through M200040097)	
53	1001231801	1	Decal - Prop 65 (SN B200051677 to Present, SN M200025388 through M200040097)	

SECTION 8 - DECALS

FIGURE 8-2. DECAL INSTALLATION - AUSTRALIAN SPEC (ENGLISH)



ART_1001181270

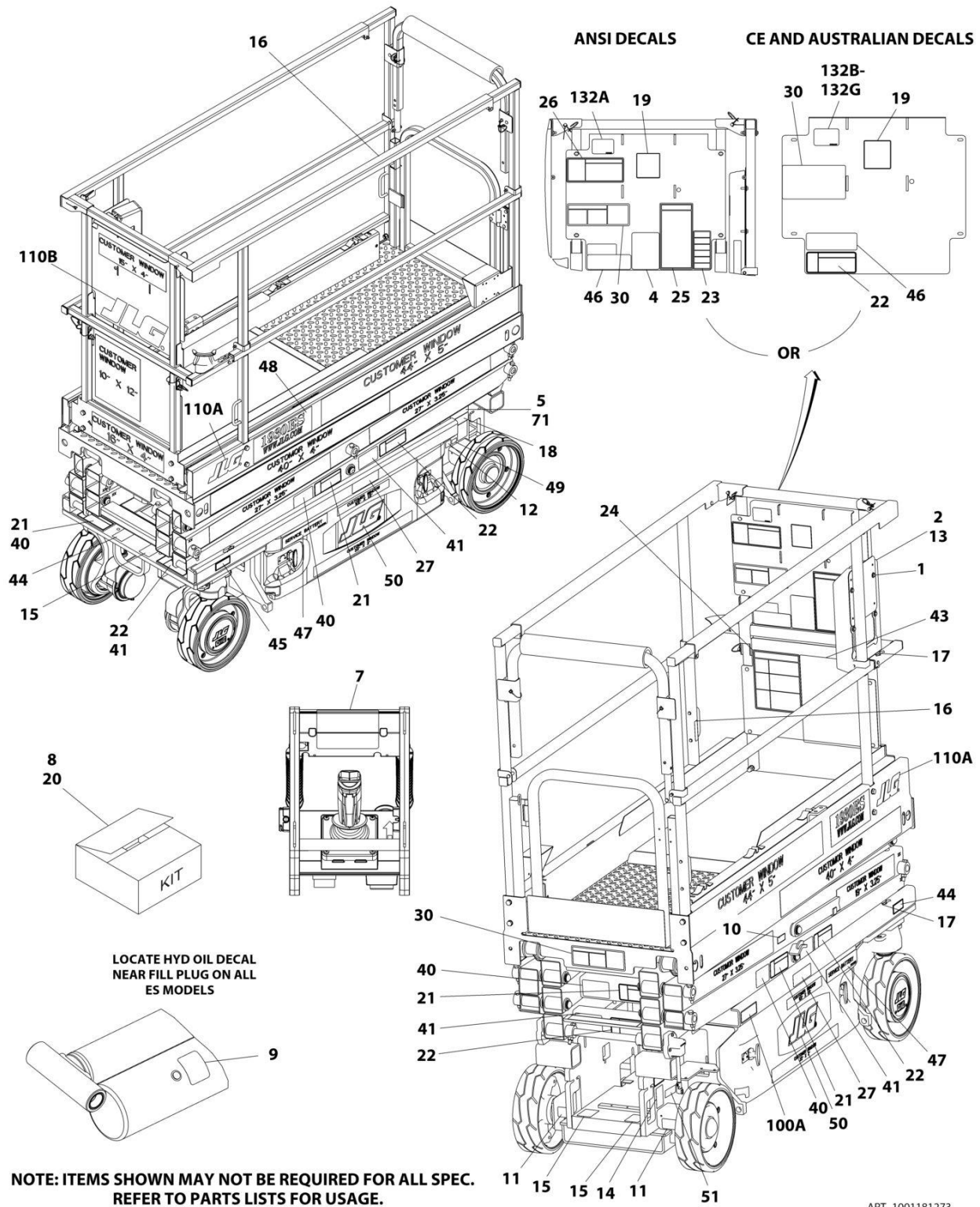
SECTION 8 - DECALS

FIGURE 8-2. DECAL INSTALLATION - AUSTRALIAN SPEC (ENGLISH)

ITEM	PART NUMBER	QTY	DESCRIPTION	REV
	1001181270	Ref	DECAL INSTALLATION - AUSTRALIAN SPEC (ENGLISH)	H
		Ref	Note: See DECAL INSTALLATION - OPTIONS for additional decals.	
1	2080040	8	Fastener	
2	0860520	1	Box, Manual Storage	
5	2080057	4	Fastener	
7	See Note	1	Decal - Bar Code (Note: Not Available for Purchase)	
8	2902267	1	Decal Kit - Master (Standard Decals) (Includes Items 9-19 & 44)	B
9	1704412	1	Decal - Hydraulic Oil	
10	1705693	1	Decal - Safety Prop	
11	1704016	2	Decal - Fork Lift	
12	1702155	1	Decal - Battery Disconnect	
13	1701509	1	Decal - Manual Reference	
14	1703811	4	Decal - Lifting Lugs	
15	1703814	3	Decal - Tie Down	
16	1704277	3	Decal - Lanyard Attach	
17	1703819	4	Decal - Directional Arrow	
18	1703822	1	Decal - Manual Descent Instructions	
19	1705692	1	Decal - Control Box Location	
20	2902523	1	Decal Kit - Australian Spec (Includes Items 21, 22 & 27)	2
21	1705673	4	Decal - Crushing	
22	1705671	5	Decal - Electrocution	
27	1705670	2	Decal - Warning Battery Ventilation/Fire Hazard	
44	1701499	1	Decal - No Lift (Part of Item 8)	
46	1001094359	1	Decal - Troubleshooting	
47	1001146794	2	Decal - See Manual	
49	1001216313	1	Decal - 24 Volts (SN 0200257823 to Present, SN B200037273 to Present, SN M200002935 through M200040097)	
50	1705754	2	Decal - JLG (SN 0200262153 to Present, SN B200038196 to Present, SN M200007969 through M200040097)	

SECTION 8 - DECALS

FIGURE 8-3. DECAL INSTALLATION - BRAZIL SPEC (PORTUGUESE/SPANISH)



ART_1001181273

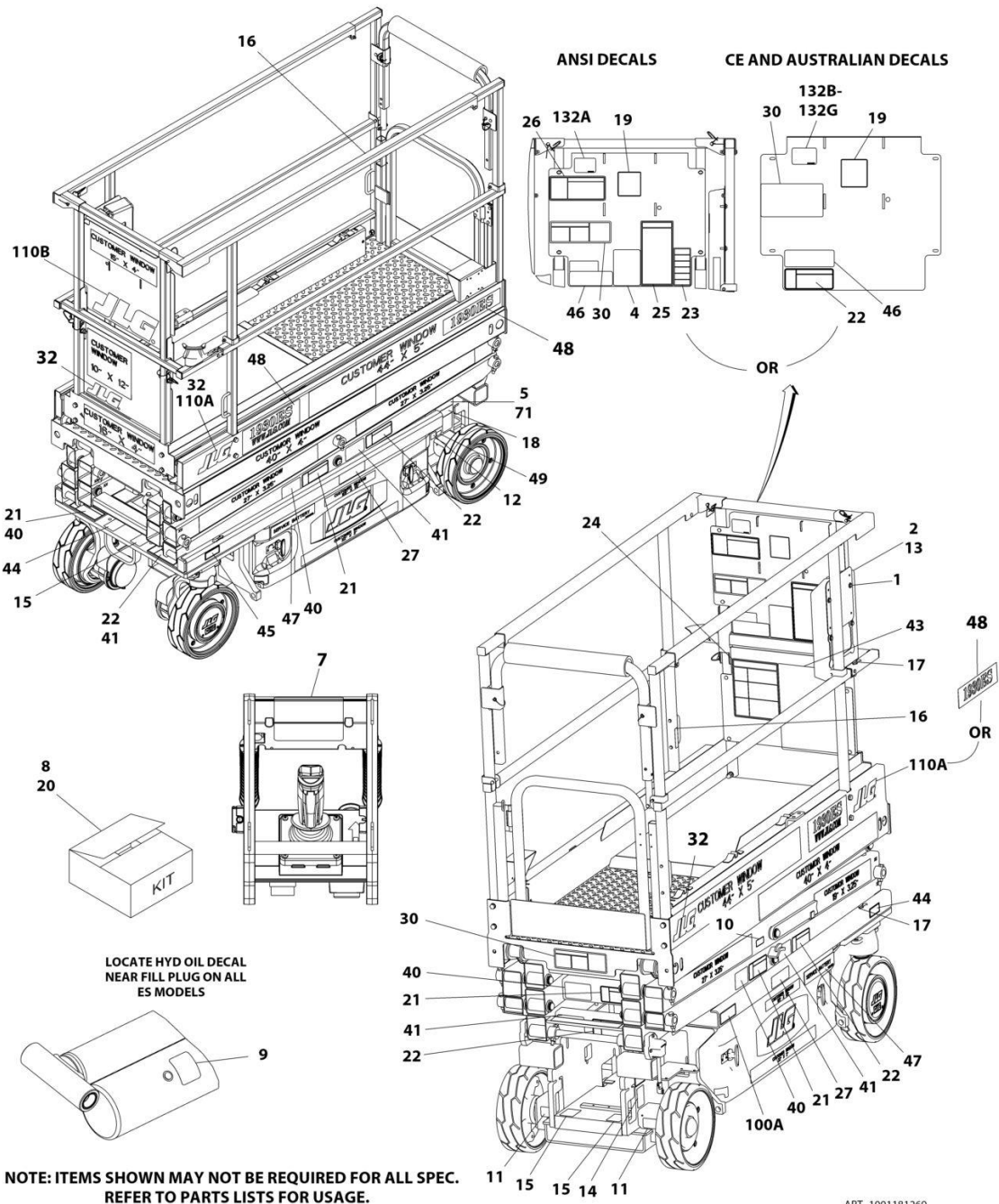
SECTION 8 - DECALS

FIGURE 8-3. DECAL INSTALLATION - BRAZIL SPEC (PORTUGUESE/SPANISH)

ITEM	PART NUMBER	QTY	DESCRIPTION	REV
	1001181273	Ref	DECAL INSTALLATION - BRAZIL SPEC (PORTUGUESE/SPANISH)	H
		Ref	Note: See DECAL INSTALLATION - OPTIONS for additional decals.	
1	2080040	4	Fastener	
2	0860520	1	Box, Manual Storage	
5	2080057	4	Fastener	
7	See Note	1	Decal - Bar Code (Note: Not Available for Purchase)	
8	2902267	1	Decal Kit - Master (Standard Decals) (Includes Items 9-19 & 44)	B
9	1704412	1	Decal - Hydraulic Oil	
10	1705693	1	Decal - Safety Prop	
11	1704016	2	Decal - Forklift	
12	1702155	1	Decal - Battery Disconnect	
13	1701509	1	Decal - Manual Reference	
14	1703811	4	Decal - Lifting Lugs	
15	1703814	3	Decal - Tie Down	
16	1704277	3	Decal - Lanyard Attach	
17	1703819	4	Decal - Directional Arrow	
18	1703822	1	Decal - Manual Descent Instructions	
19	1705692	1	Decal - Control Box Location	
20	2902526	1	Decal Kit - Brazil Spec (Includes Items 21-27, 40 & 41)	B
21	1705722	5	Decal - Warning Crushing Hazard	
22	1703834	4	Decal - Warning/Danger	
23	1705726	1	Decal - Legend	
24	1705894	1	Decal - Danger/Warning	
25	1705727	1	Decal - Inspection	
26	1705721	1	Decal - Electrocutation	
27	1704341	2	Decal - Warning Battery Ventilation	
40	1705725	4	Decal - Crushing Hazard	
41	1705724	4	Decal - Electrocutation	
43	1705719	1	Decal - Danger/Warning	
44	1701499	1	Decal - No Lift (Part of Item 8)	
46	1001094359	1	Decal - Troubleshooting	
47	1001146794	2	Decal - See Manual	
49	1001216313	1	Decal - 24 Volts (SN 0200257823 to Present, SN B200037273 to Present, SN M200002935 through M200040097)	
50	1705754	2	Decal - JLG (SN 0200262153 to Present, SN B200038196 to Present, SN M200007969 through M200040097)	
51	1001224052	1	Decal - Yearly Inspection (SN B200045817 to Present, SN M2000151192 through M200040097)	

SECTION 8 - DECALS

FIGURE 8-4. DECAL INSTALLATION - CE SPEC (ENGLISH)



ART_1001181269

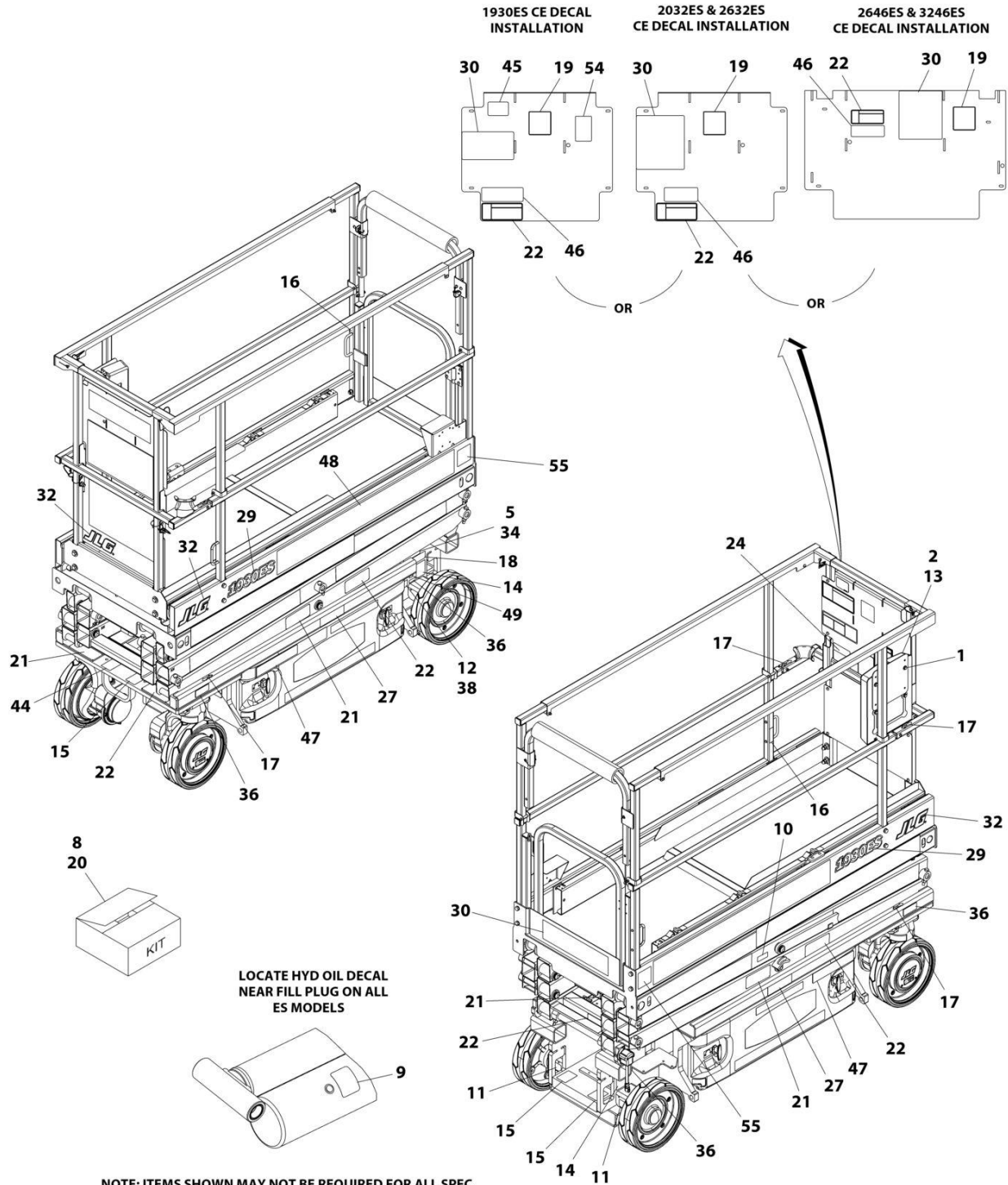
SECTION 8 - DECALS

FIGURE 8-4. DECAL INSTALLATION - CE SPEC (ENGLISH)

ITEM	PART NUMBER	QTY	DESCRIPTION	REV
	1001181267	Ref	DECAL INSTALLATION – REFERENCE (SN 0200239382 through 0200262152, SN B200020297 through B200038195, SN M200000100 through M200007968)	H
	1001217327	Ref	DECAL INSTALLATION - REFERENCE (SN 0200262153 to Present, SN 1200025121 to Present, SN B200038196 to Present, SN M200007969 through M200040097)	B
	1001181269	Ref	DECAL INSTALLATION - CE SPEC (ENGLISH)	G
		Ref	Note: See DECAL INSTALLATION - OPTIONS for additional decals.	
1	2080040	4	Fastener	
2	0860520	1	Box, Manual Storage	
5	2080057	4	Fastener	
7	See Note	1	Decal - Bar Code (Note: Not Available for Purchase)	
8	2902267	1	Decal Kit - Master (Standard Decals) (Includes Items 9-19 & 44)	B
9	1704412	1	Decal - Hydraulic Oil	
10	1705693	1	Decal - Safety Prop	
11	1704016	2	Decal - Forklift	
12	1702155	1	Decal - Battery Disconnect	
13	1701509	1	Decal - Manual Reference	
14	1703811	4	Decal - Lifting Lugs	
15	1703814	3	Decal - Tie Down	
16	1704277	3	Decal - Lanyard Attach	
17	1703819	4	Decal - Directional Arrow	
18	1703822	1	Decal - Manual Descent Instructions	
19	1705692	1	Decal - Control Box Location	
20	2902523	1	Decal Kit - CE Spec (Includes Items 21, 22 & 27)	2
21	1705673	4	Decal - Crushing	
22	1705671	5	Decal - Electrocutation	
27	1705670	2	Decal - Warning Battery Ventilation/Fire Hazard	
32	1705781	3	Decal - JLG (SN 0200262153 to Present, SN 1200025121 to Present, SN B200038196 to Present, SN M200007969 through M200040097)	
44	1701499	1	Decal - No Lift (Part of Item 8)	
46	1001094359	1	Decal - Troubleshooting	
47	1001146795	2	Decal - See Manual	
49	1001216313	1	Decal - 24 Volts (SN 0200257823 to Present, SN 1200025121 to Present, SN B200037273 to Present, SN M200002935 through M200040097)	

SECTION 8 - DECALS

FIGURE 8-5. DECAL INSTALLATION - CHINA SPEC (GB)



ART_1001232541

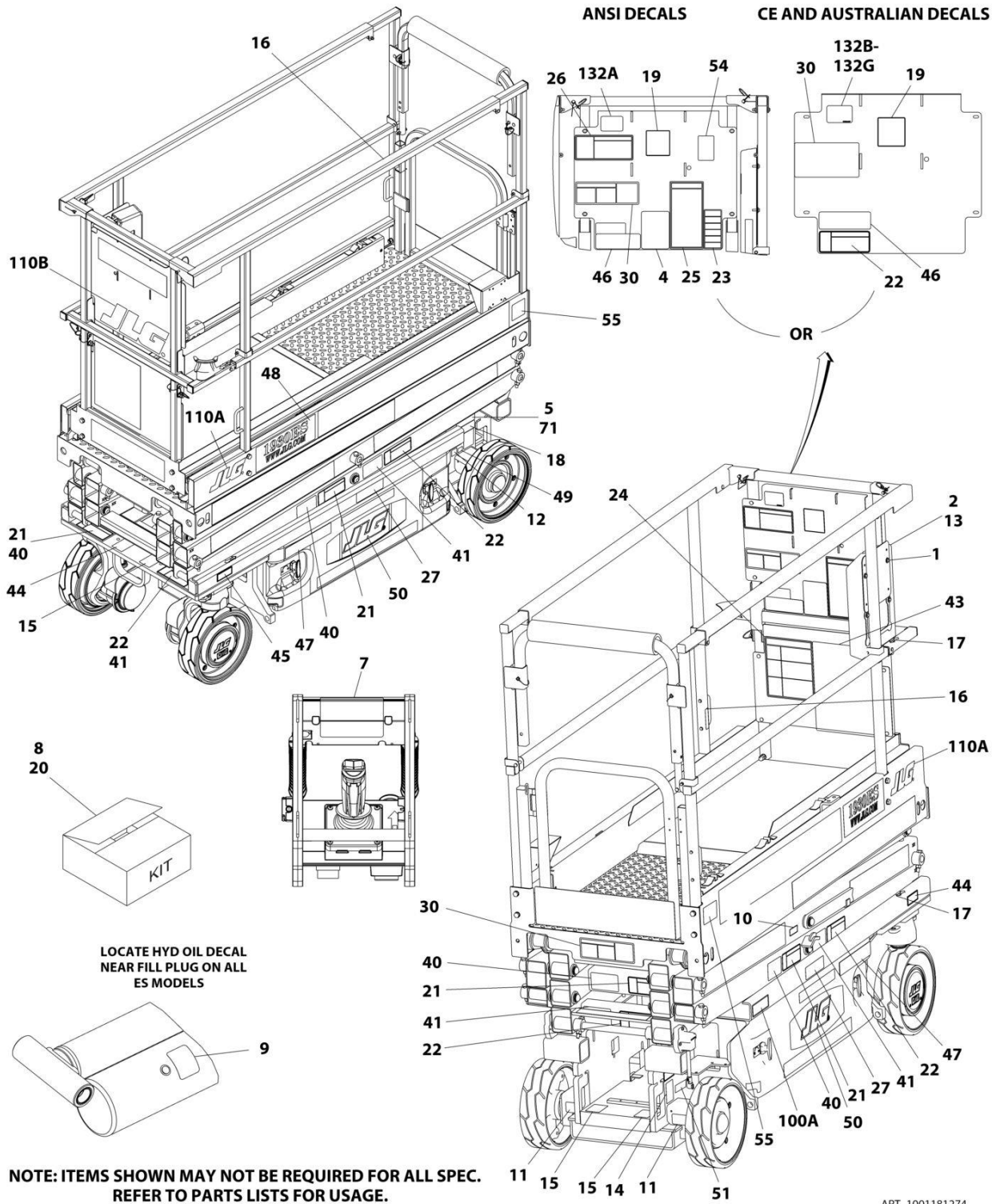
SECTION 8 - DECALS

FIGURE 8-5. DECAL INSTALLATION - CHINA SPEC (GB)

ITEM	PART NUMBER	QTY	DESCRIPTION	REV
	1001232541	Ref	DECAL INSTALLATION - CHINA SPEC (GB)	B
		Ref	Note: See DECAL INSTALLATION - OPTIONS for additional decals.	
1	2080040	4	Fastener	
2	0860520	1	Box, Manual Storage	
5	2080057	4	Fastener	
8	2902267	1	Decal Kit - Master (Standard Decals) (Includes Items 9-19 & 44)	B
9	1704412	1	Decal - Hydraulic Oil	
10	1705693	1	Decal - Safety Prop	
11	1704016	2	Decal - Forklift	
12	1702155	1	Decal - Battery Disconnect	
13	1701509	1	Decal - Manual Reference	
14	1703811	4	Decal - Lifting Lugs	
15	1703814	3	Decal - Tie Down	
16	1704277	3	Decal - Lanyard Attach	
17	1703819	4	Decal - Directional Arrow	
18	1703822	1	Decal - Manual Descent Instructions	
19	1705692	1	Decal - Control Box Location	
20	2902523	1	Decal Kit - CE Spec (Includes Items 21, 22 & 27)	2
21	1705673	4	Decal - Crushing	
22	1705671	5	Decal - Electrocution	
27	1705670	2	Decal - Warning Battery Ventilation/Fire Hazard	
32	1705781	3	Decal - JLG	
44	1701499	1	Decal - No Lift (Part of Item 8)	
46	1001094359	1	Decal - Troubleshooting	
47	1001146794	2	Decal - See Manual	
49	1001216313	1	Decal - 24 Volts	
54	1001244301	1	Decal - No Over the Rail to Ground (SN B200051677 to Present, SN M200025388 through M200040097)	
55	1001244298	2	Decal - Wechat (SN B200051677 to Present, SN M200025388 through M200040097)	

SECTION 8 - DECALS

FIGURE 8-6. DECAL INSTALLATION - CHINESE SPEC (CHINESE/ENGLISH)



ART_1001181274

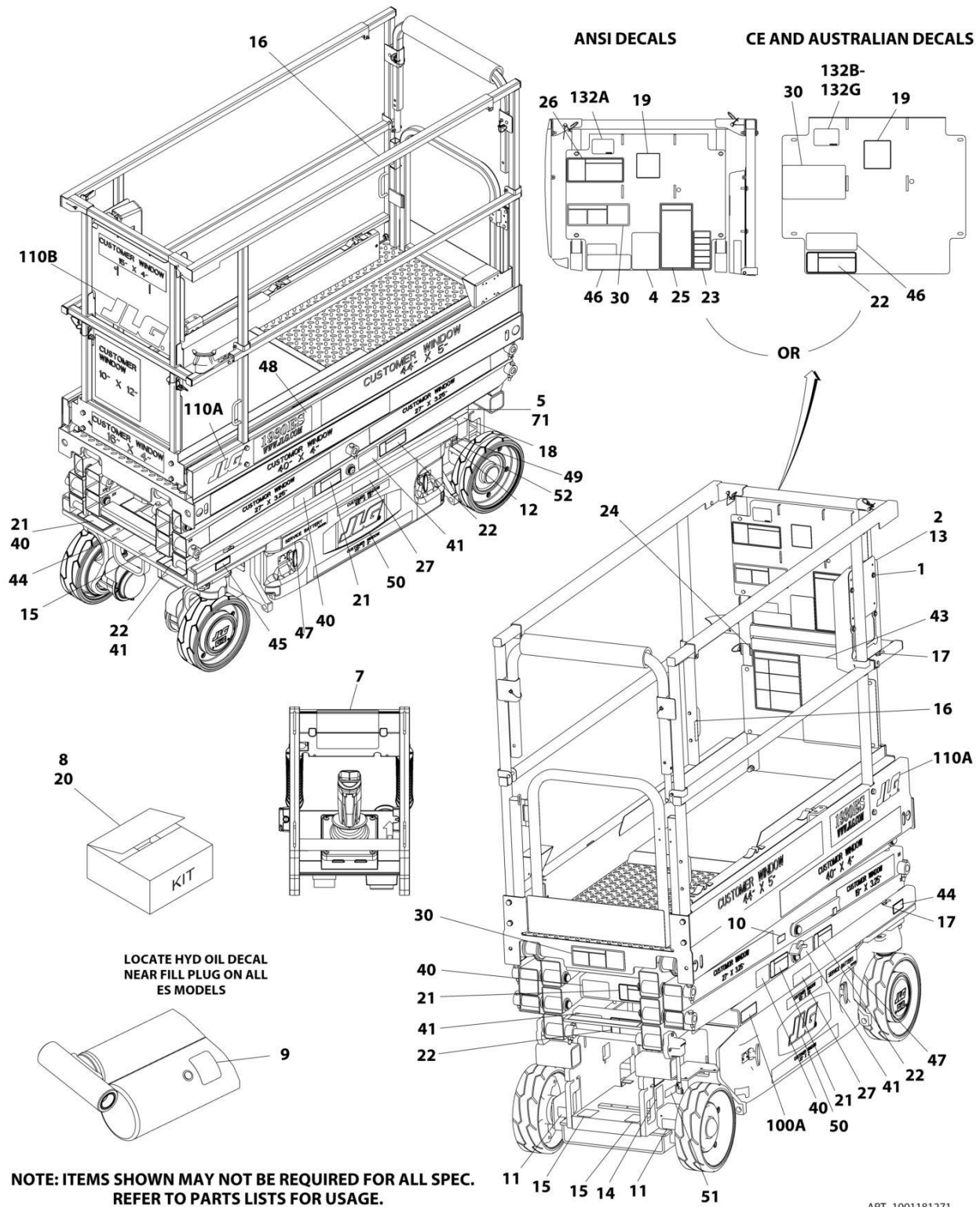
SECTION 8 - DECALS

FIGURE 8-6. DECAL INSTALLATION - CHINESE SPEC (CHINESE/ENGLISH)

ITEM	PART NUMBER	QTY	DESCRIPTION	REV
	1001181274	Ref	DECAL INSTALLATION - CHINESE SPEC (CHINESE/ENGLISH)	H
		Ref	Note: See DECAL INSTALLATION - OPTIONS for additional decals.	
1	2080040	4	Fastener	
2	0860520	1	Box, Manual Storage	
5	2080057	4	Fastener	
7	See Note	1	Decal - Bar Code (Note: Not Available for Purchase)	
8	2902267	1	Decal Kit - Master (Standard Decals) (Includes Items 9-19 & 44)	B
9	1704412	1	Decal - Hydraulic Oil	
10	1705693	1	Decal - Safety Prop	
11	1704016	2	Decal - Forklift	
12	1702155	1	Decal - Battery Disconnect	
13	1701509	1	Decal - Manual Reference	
14	1703811	4	Decal - Lifting Lugs	
15	1703814	3	Decal - Tie Down	
16	1704277	3	Decal - Lanyard Attach	
17	1703819	4	Decal - Directional Arrow	
18	1703822	1	Decal - Manual Descent Instructions	
19	1705692	1	Decal - Control Box Location	
20	2902528	1	Decal Kit - Chinese Spec (Includes Items 21-27, 40 & 41)	B
21	1705694	4	Decal - Crushing	
22	1705695	4	Decal - Danger	
23	1705946	1	Decal - Legend	
24	1705680	1	Decal - Danger/Warning	
25	1705679	1	Decal - Inspection	
26	1705681	1	Decal - Electrocution	
27	1704344	2	Decal - Warning Battery Ventilation	
40	1705943	4	Decal - Crushing	
41	1705944	4	Decal - Electrocution	
43	1705945	1	Decal - Danger/Warning	
44	1701499	1	Decal - No Lift (Part of Item 8)	
46	1001094359	1	Decal - Troubleshooting	
47	1001146794	2	Decal - See Manual	
49	1001216313	1	Decal - 24 Volts (SN 0200257823 to Present, SN B200037273 to Present, SN M200002935 through M200040097)	
50	1705754	2	Decal - JLG (SN 0200262153 to Present, SN B200038196 to Present, SN M200007969 through M200040097)	
51	1001224050	1	Decal - Yearly Inspection (SN B200045817 to Present, SN M2000151192 through M200040097)	
54	1001244301	1	Decal - No Over the Rail to Ground (SN B200051677 to Present, SN M200025388 through M200040097)	
55	1001244298	2	Decal - Wechat (SN B200051677 to Present, SN M200025388 through M200040097)	

SECTION 8 - DECALS

FIGURE 8-7. DECAL INSTALLATION - CSA SPEC (ENGLISH/FRENCH)



ART_1001181271

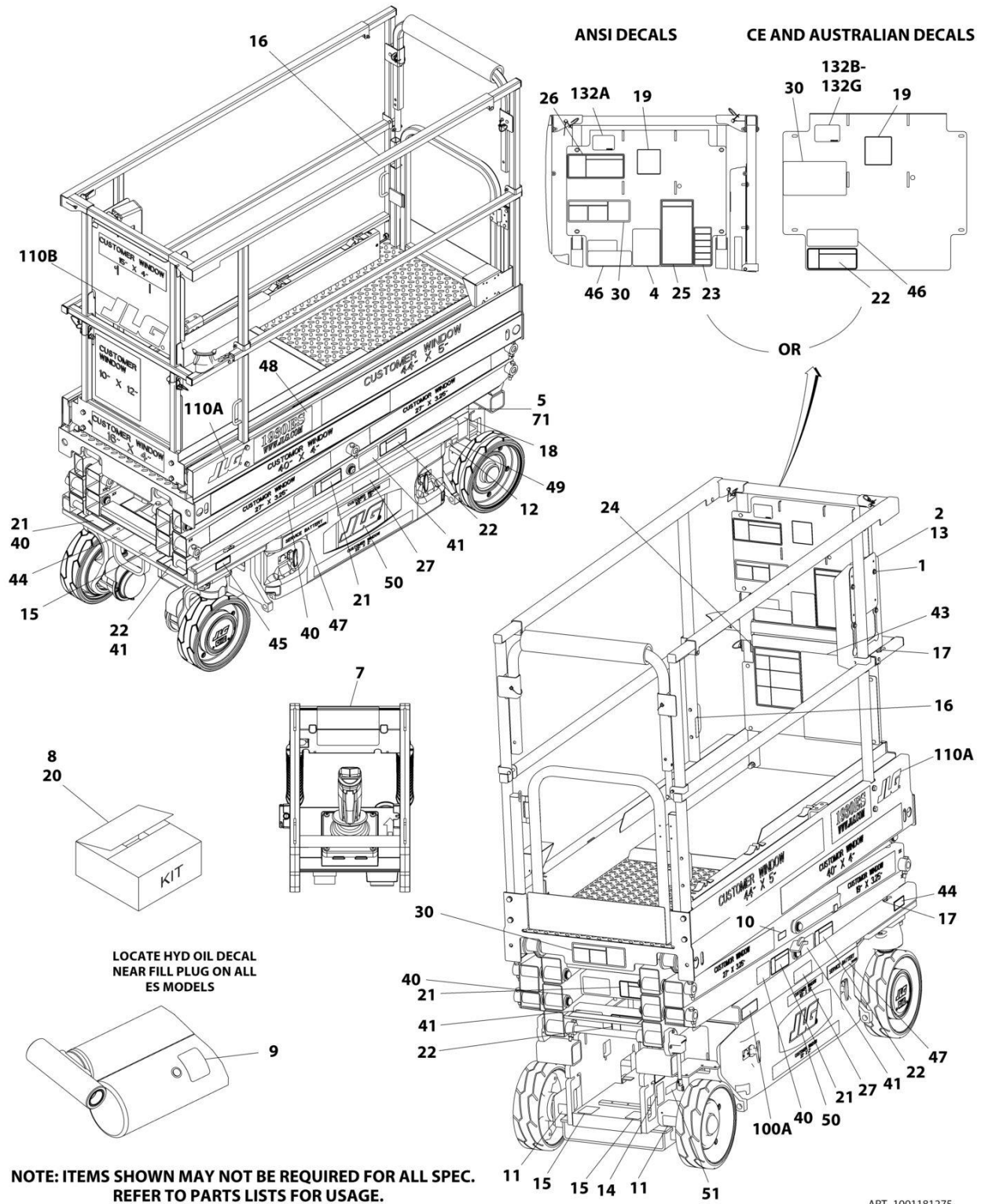
SECTION 8 - DECALS

FIGURE 8-7. DECAL INSTALLATION - CSA SPEC (ENGLISH/FRENCH)

ITEM	PART NUMBER	QTY	DESCRIPTION	REV
	1001181271	Ref	DECAL INSTALLATION - CSA SPEC (ENGLISH/FRENCH)	H
		Ref	Note: See DECAL INSTALLATION - OPTIONS for additional decals.	
1	2080040	4	Fastener	
2	0860520	1	Box, Manual Storage	
4	1001191270	1	Decal - Patent	
5	2080057	4	Fastener	
7	See Note	1	Decal - Bar Code (Note: Not Available for Purchase)	
8	2902267	1	Decal Kit - Master (Standard Decals) (Includes Items 9-19 & 44)	B
9	1704412	1	Decal - Hydraulic Oil	
10	1705693	1	Decal - Safety Prop	
11	1704016	2	Decal - Forklift	
12	1702155	1	Decal - Battery Disconnect	
13	1701509	1	Decal - Manual Reference	
14	1703811	4	Decal - Lifting Lugs	
15	1703814	3	Decal - Tie Down	
16	1704277	3	Decal - Lanyard Attach	
17	1703819	4	Decal - Directional Arrow	
18	1703822	1	Decal - Manual Descent Instructions	
19	1705692	1	Decal - Control Box Location	
20	2902524	1	Decal Kit - CSA Spec (Includes Items 21-27, 40 & 41)	B
21	1705694	4	Decal - Crushing	
22	1705695	4	Decal - Warning/Danger	
23	1705723	1	Decal - Legend	
24	1705680	1	Decal - Danger/Warning	
25	1705679	1	Decal - Inspection	
26	1705681	1	Decal - Electrocution	
27	1704340	2	Decal - Warning Battery Ventilation	
40	1705717	4	Decal - Crushing	
41	1705718	4	Decal - Electrocution	
43	3252098	1	Nameplate - Warning/Danger	
44	1701499	1	Decal - No Lift (Part of Item 8)	
46	1001094359	1	Decal - Troubleshooting	
47	1001146794	2	Decal - See Manual	
49	1001216313	1	Decal - 24 Volts (SN 0200257823 to Present, SN B200037273 to Present, SN M200002935 through M200040097)	
50	1705754	2	Decal - JLG (SN 0200262153 to Present, SN B200038196 to Present, SN M200007969 through M200040097)	
51	1001223971	1	Decal - Yearly Inspection (SN B200045817 to Present, SN M2000151192 through M200040097)	
52	1001228370	1	Decal - CSA Ices (SN B200045817 to Present, SN M2000151192 through M200040097)	

SECTION 8 - DECALS

FIGURE 8-8. DECAL INSTALLATION - KOREAN SPEC (KOREAN/ENGLISH)



ART_1001181275

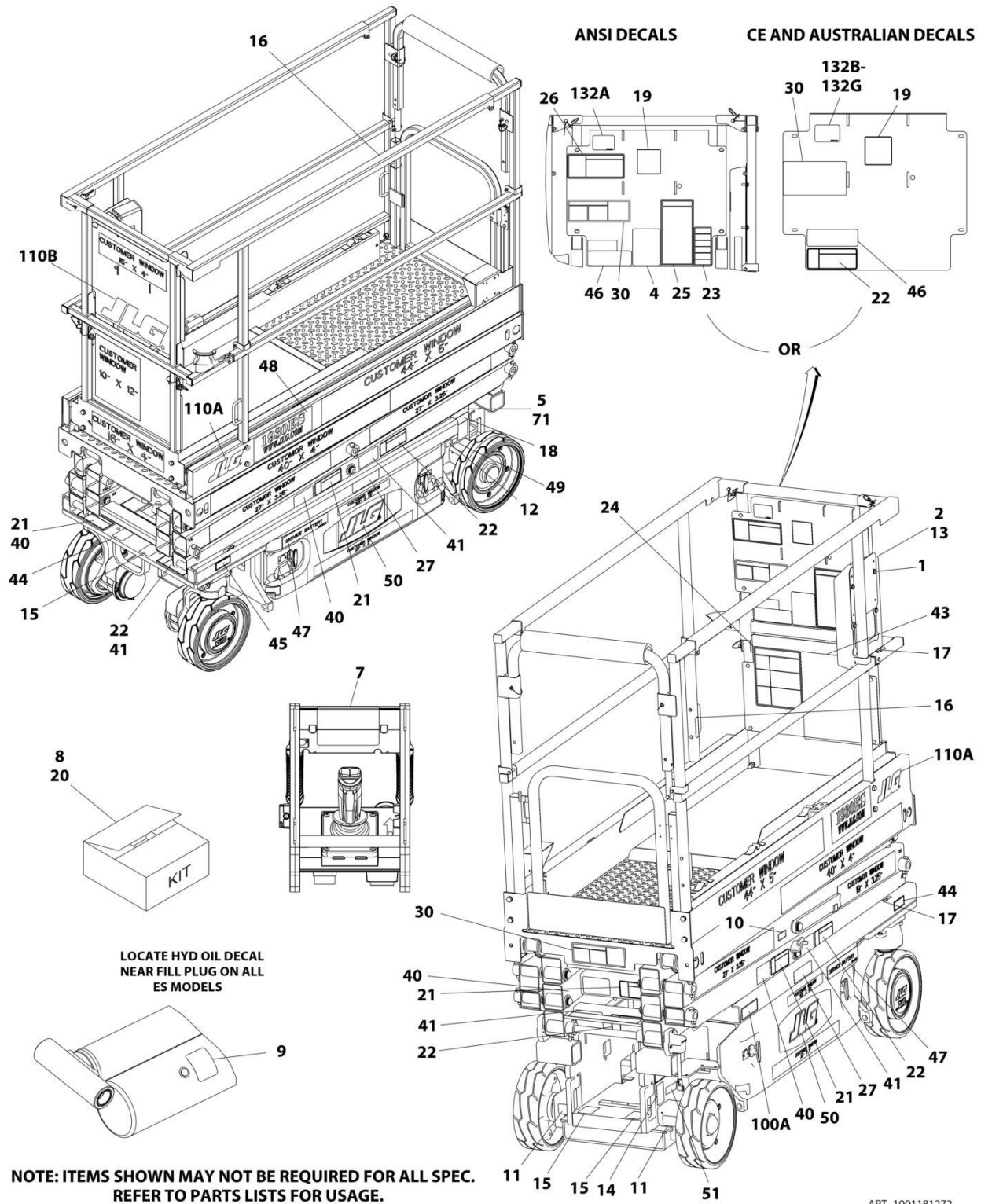
SECTION 8 - DECALS

FIGURE 8-8. DECAL INSTALLATION - KOREAN SPEC (KOREAN/ENGLISH)

ITEM	PART NUMBER	QTY	DESCRIPTION	REV
	1001181275	Ref	DECAL INSTALLATION - KOREAN SPEC (KOREAN/ENGLISH)	H
		Ref	Note: See DECAL INSTALLATION - OPTIONS for additional decals.	
1	2080040	4	Fastener	
2	0860520	1	Box, Manual Storage	
5	2080057	4	Fastener	
7	See Note	1	Decal - Bar Code (Note: Not Available for Purchase)	
8	2902267	1	Decal Kit - Master (Standard Decal) (Includes Items 9-19 & 44)	B
9	1704412	1	Decal - Hydraulic Oil	
10	1705693	1	Decal - Safety Prop	
11	1704016	2	Decal - Forklift	
12	1702155	1	Decal - Battery Disconnect	
13	1701509	1	Decal - Manual Reference	
14	1703811	4	Decal - Lifting Lugs	
15	1703814	3	Decal - Tie Down	
16	1704277	3	Decal - Lanyard Attach	
17	1703819	4	Decal - Directional Arrow	
18	1703822	1	Decal - Manual Descent Instructions	
19	1705692	1	Decal - Control Box Location	
20	2902532	1	Decal Kit - Korean Spec (Includes Items 21-27, 40 & 41)	2
21	1705694	4	Decal - Crushing	
22	1705695	4	Decal - Danger Electrocution	
23	1706057	1	Decal - Legend	
24	1705680	1	Decal - Danger/Warning	
25	1705679	1	Decal - Inspection	
26	1705681	1	Decal - Electrocution	
27	1707022	2	Decal - Warning Battery Ventilation	
40	1706052	4	Decal - Crushing Hazard	
41	1706056	4	Decal - Danger Electrocution	
43	1706053	1	Decal - Danger/Warning	
44	1701499	1	Decal - No Lift (Part of Item 8)	
46	1001094359	1	Decal - Troubleshooting	
47	1001146794	2	Decal - See Manual	
49	1001216313	1	Decal - 24 Volts (SN 0200257823 to Present, SN B20037273 to Present, SN M200002935 through M200040097)	
50	1705754	2	Decal - JLG (SN 0200262153 to Present, SN B200038196 to Present, SN M200007969 through M200040097)	
51	1001224048	1	Decal - Yearly Inspection (SN B200045817 to Present, SN M2000151192 through M200040097)	

SECTION 8 - DECALS

FIGURE 8-9. DECAL INSTALLATION - LATIN AMERICAN SPEC (ENGLISH/SPANISH)



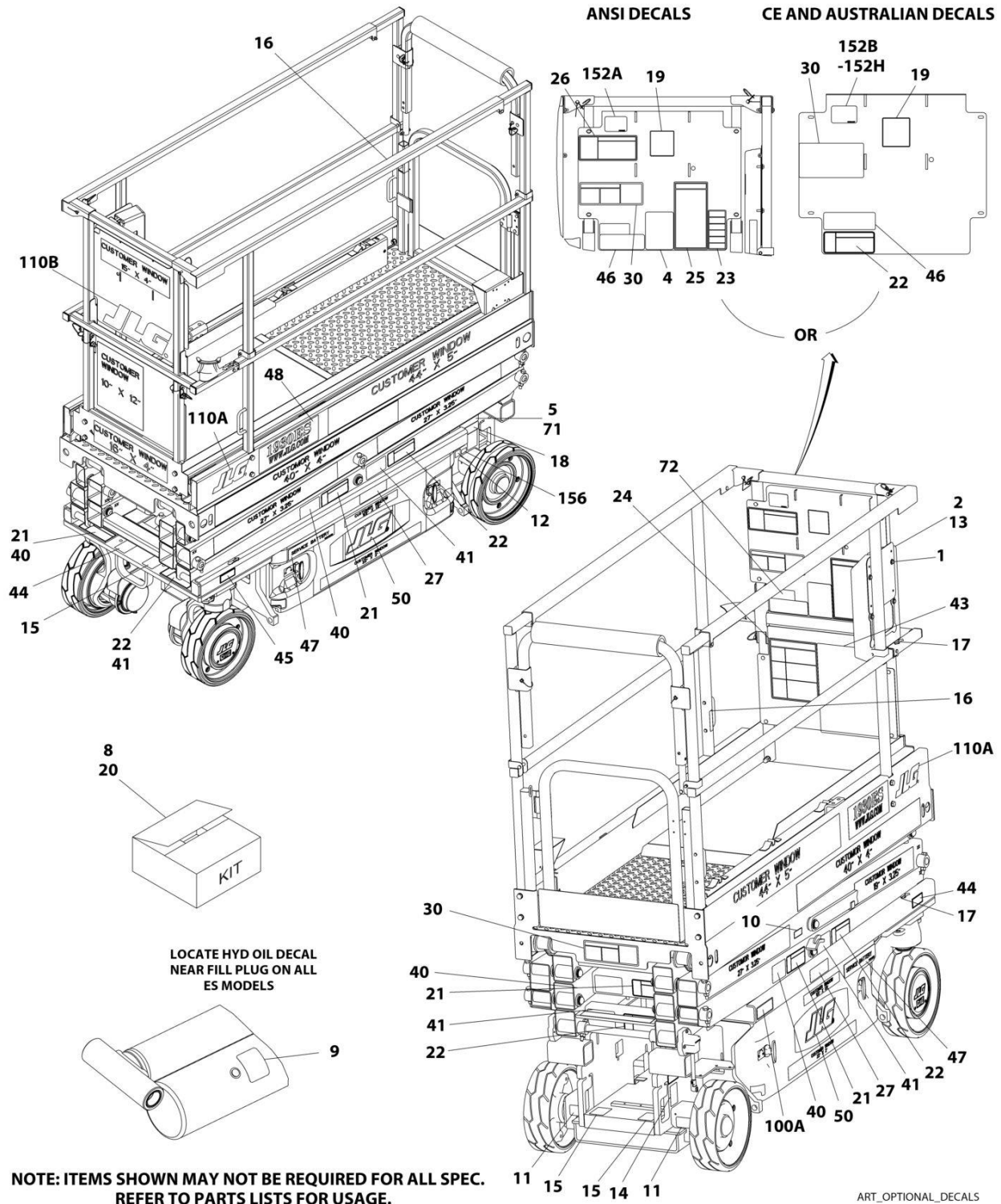
SECTION 8 - DECALS

FIGURE 8-9. DECAL INSTALLATION - LATIN AMERICAN SPEC (ENGLISH/SPANISH)

ITEM	PART NUMBER	QTY	DESCRIPTION	REV
	1001181272	Ref	DECAL INSTALLATION - LATIN AMERICAN SPEC (ENGLISH/SPANISH)	H
		Ref	Note: See DECAL INSTALLATION - OPTIONS for additional decals.	
1	2080040	4	Fastener	
2	0860520	1	Box, Manual Storage	
5	2080057	4	Fastener	
7	See Note	1	Decal - Bar Code (Note: Not Available for Purchase)	
8	2902267	1	Decal Kit - Master (Standard Decals) (Includes Items 9-19 & 44)	B
9	1704412	1	Decal - Hydraulic Oil	
10	1705693	1	Decal - Safety Prop	
11	1704016	2	Decal - Forklift	
12	1702155	1	Decal - Battery Disconnect	
13	1701509	1	Decal - Manual Reference	
14	1703811	4	Decal - Lifting Lugs	
15	1703814	3	Decal - Tie Down	
16	1704277	3	Decal - Lanyard Attach	
17	1703819	4	Decal - Directional Arrow	
18	1703822	1	Decal - Manual Descent Instructions	
19	1705692	1	Decal - Control Box Location	
20	2902525	1	Decal Kit - Latin American Spec (English/Spanish) (Includes Items 21-27, 40 & 41)	B
21	1705694	4	Decal - Crushing	
22	1705695	4	Decal - Danger Electrocution	
23	1705720	1	Decal - Legend	
24	1705680	1	Decal - Danger/Warning	
25	1705679	1	Decal - Inspection	
26	1705681	1	Decal - Electrocution	
27	1704339	2	Decal - Warning Battery Ventilation	
40	1705725	4	Decal - Crushing Hazard	
41	1705724	1	Decal - Danger Electrocution	
43	1705719	1	Decal - Danger/Warning	
44	1701499	1	Decal - No Lift (Part of Item 8)	
46	1001094359	1	Decal - Troubleshooting	
47	1001146794	2	Decal - See Manual	
49	1001216313	1	Decal - 24 Volts (SN 0200257823 to Present, SN B200037273 to Present, SN M200002935 through M200040097)	
50	1705754	2	Decal - JLG (SN 0200262153 to Present, SN B200038196 to Present, SN M200007969 through M200040097)	
51	1001224049	1	Decal - Yearly Inspection (SN B200045817 to Present, SN M2000151192 through M200040097)	

SECTION 8 - DECALS

FIGURE 8-10. DECAL INSTALLATION - OPTIONS



SECTION 8 - DECALS

FIGURE 8-10. DECAL INSTALLATION - OPTIONS

ITEM	PART NUMBER	QTY	DESCRIPTION	REV
		Ref	DECAL INSTALLATION - OPTIONS	
25	0272721	Ref	Corner Safety Stripes Installation	C
25	4420051	51 in/1.3m	Tape, Safety (Not Shown - Located on Platform Extension)	
30	1705638	3	Decal - 500LB Capacity (All Specs except Australian, CE and China Specs)	
30	1705666	1	Decal - 360KG (Australian/CE Specs)	
45	1705647	4	Decal - Maximum Tire Load (All Specs except Australian, CE and China Specs)	
45	1705648	4	Decal - Maximum Tire Load (Australian, CE and China Specs)	
48	1001099919	2	Decal - Model Designation	
71	See Note	1	Decal - Serial Number (Note: Not Available for Purchase)	
72	1705303	1	Decal - CSA (CSA Spec Only)	
74	3251813	1	Decal - USA (Not Shown) (SN 0200239382 through 0200243057)	
100A	1705699	1	Decal - 500LB Capacity MTB (All Specs except Australian/CE Specs)	
110	0272870	Ref	JLG Logo Installation	2
110	1001228965	Ref	JLG Logo Installation (China Specs)	A
110A	1705781	2	Decal - JLG (2.75 inch)	
110B	1702773	1	Decal - JLG (5 inch)	
110B	1705754	1	Decal - JLG (3.5 inch) (China Specs)	
		Ref	Decal - No Pipe Racks Allowed Options:	A
152A	1001092071	1	Decal - No Pipe Racks Allowed - English (ANSI/ANSI Export/UL/China Specs)	
152B	1001092497	1	Decal - No Pipe Racks Allowed (CE/Australian/Japanese Specs)	
152C	1001092580	1	Decal - No Pipe Racks Allowed (CSA Specs)	
152D	1001120621	1	Decal - No Pipe Racks Allowed - English/Korean (ANSI Export, China and Korea Specs)	
152E	1001120622	1	Decal - No Pipe Racks Allowed - English/Chinese (ANSI Export/China/CE Specs)	
152F	1001120623	1	Decal - No Pipe Racks Allowed - Portuguese/Spanish (ANSI Export/China Specs)	
152G	1001120629	1	Decal - No Pipe Racks Allowed - English/Spanish (ANSI Export/China Specs)	
152H	1001231066	1	Decal - No Panel Carrier Allowed (Australian and CE Specs)	
156	1001214029	1	Decal Installation - EAC (Russian/CIS Specs)	A
156	1001173703	1	Decal - EAC (Russian/CIS Specs)	

SECTION 9 - RECOMMENDED SERVICE PARTS STOCK

SECTION 9 - RECOMMENDED SERVICE PARTS STOCK

SECTION 9 - RECOMMENDED SERVICE PARTS STOCK

FIGURE 9-1. RECOMMENDED SERVICE PARTS STOCK

ITEM	PART NUMBER	QTY	DESCRIPTION	REV
		Ref	Note: The following list will service one machine (built to current production per date on the front cover) with emergency repair parts which can be installed in the field. Parts from the list should be replaced when inventory is depleted to keep service parts stock supplied. For further information, contact your JLG dealer or the JLG Industries Parts Department.	
		Ref	STANDARD PARTS	
	4360069	1	Breaker, Circuit - 10 Amp	
	4360328	1	Switch, Toggle	
	2860030	1	Key, Replacement	
	4360475	1	Switch, Mushroom	
	4360387	1	Switch, Push Button	
	1001092354	1	Switch, Rotary Angle Sensor	
	1600402	1	Controller, Drive/Steer	
	4360538	1	Switch and Membrane	
	4360539	1	Switch, Toggle	
	1001097347	1	Relay	
	70004928	1	Filter - 300 Micron	
	70003706	1	Filter - 300 Micron	
	70003707	1	Coil	
		Ref	VARIABLE PARTS	
	1001092456	1	Module, Drive Control	
	1001109088	1	Switch, Limit (Non-UL Machines)	
	1001126905	1	Switch, Limit (UL Machines)	
	1001130614	1	Switch, Limit (Machines with Overhead Protection and Low Height Drive Cutout)	
	0610161	1	PC Board - Charger	
	4360469	1	Switch, Key (All Specs except CE Specs)	
	4360470	1	Switch, Key (CE Specs)	
	1001163095	1	Sensor, Tilt (USA Built Machines)	
	1001169392	1	Sensor, Tilt (China Built Machines)	
	2940064	1	Latch, Snap (Machines with Chain Gate)	
	1600439	1	PC Board, Console Box	
	4360613	1	Switch, Limit (Brake Disconnect)	
	1001109475	1	Breaker, Circuit - 16 Amp (CE Spec Only)	
	1001109482	1	Breaker, Circuit - 30mA (CE Spec Only)	
	1001152479	1	Breaker, Circuit - Double 16 Amp (CE Spec Only)	

SECTION 10 - SPECIAL OPTIONS

SECTION 10 - SPECIAL OPTIONS

FIGURE 10-1. SPECIAL OPTIONS

ITEM	PART NUMBER	QTY	DESCRIPTION	REV
		Ref	Note: This list is to accommodate machines ordered with special equipment. Options may not be applicable to all models. For more specific parts information contact the JLG Parts Department.	
		Ref	SPECIAL OPTIONS	
	0272843	Ref	AC Plug and Receptacle Installation (Customer Supplied Plug and Receptacle)	
	0274516	Ref	Airline Installation	
	0272913	Ref	Alarm Installation - Motion (See Ground Control Box /Alarm Installation for Components)	
	1001185053	Ref	Alarm Installation - White Noise (Available on All Specs except UL Spec)	
	1001183458	Ref	Ambient Adjusting Motion Alarm Add-on Kit (Dealer Installed)	
	0272878	Ref	Antivandalism Package (ANSI Export, CE, Australian, UL, China and Korea Specs Only)	
	1001213525	Ref	Antivandalism Package (ANSI Export, China and Korea Specs)	
	1001188716	Ref	Arm Guards Installation (China Built Machines)	
	1001255613	Ref	Battery Charger Add-on Kit (Dealer Installed) (ANSI, ANSI Export & Korean Specs)	
	1001255614	Ref	Battery Charger Add-on Kit (Dealer Installed) (ANSI Export, China & Korean Specs)	
	1001255596	Ref	Battery Charger Add-on Kit (Dealer Installed) (Australian Specs)	
	1001190009	Ref	Beacon Light Installation with 2 Lights	
		Ref	ClearSky (Telematics) Installations (Dealer Installed)	
	1001243574	Ref	ClearSky Telematics Access Control Kit (Dealer Installed) (All Specs)	
	1001243185	Ref	ClearSky Telematics Access Control Kit – Single Can (Dealer Installed) (ANSI Specs)	
	1001243186	Ref	ClearSky Telematics Access Control Kit – Single Can (Dealer Installed) (CE Specs)	
	1001265377	Ref	ClearSky Telematics - Canbus Add-on Kit (ANSI & CSA Spes) (Dealer Installed)	
	1001253879	Ref	ClearSky Telematics - Canbus Add-on Kit (CE Spes) (Dealer Installed)	
	1001254325	Ref	ClearSky Telematics - Canbus Add-on Kit (Australian Spes) (Dealer Installed)	
	1001265384	Ref	ClearSky Telematics - Canbus Add-on Kit (China Spes) (Dealer Installed)	
		Ref	ClearSky (Telematics) Installations (Factory Installed)	
	1001229107	Ref	ClearSky Telematics - 3 Wire (Factory Installed) (ANSI and CSA Specs)	
	1001233237	Ref	ClearSky Telematics - 3 Wire (Factory Installed) (ANSI Export, CE and Korea Specs)	
	1001253627	Ref	ClearSky Telematics - Canbus (Factory Installed) (ANSI and CSA Specs)Decal - Hazardous Voltage (English Language) (Used with Inverter Installation) (ANSI AND CSA Specs)	
	1001253949	Ref	ClearSky Telematics - Canbus (Factory Installed) (Australian Specs)	
	1001253948	Ref	ClearSky Telematics - Canbus (Factory Installed) (ANSI Export, CE and Korea Specs)	
	1001229696	Ref	Decals - ClearSky (ANSI, ANSI Export, CE, CSA and Korea Specs)	
	1706765	Ref	Decal - Hazardous Voltage (English Language) (Used with Inverter Installation) (ANSI AND CSA Specs)	

SECTION 10 - SPECIAL OPTIONS

ITEM	PART NUMBER	QTY	DESCRIPTION	REV
	1001136847	Ref	Decal - Hazardous Voltage (English/Spanish Language) (Used with Inverter Installation) (ANSI Export, Chinese and Korea Specs)	
	1001230981	Ref	Decal - Quick Start Reference (Dutch Spec)	
	1001226419	Ref	Decal - Quick Start Reference (English Spec)	
	1001230979	Ref	Decal - Quick Start Reference (French Spec)	
	1001230975	Ref	Decal - Quick Start Reference (German Spec)	
	1001230980	Ref	Decal - Quick Start Reference (Italian Spec)	
	1001230983	Ref	Decal - Quick Start Reference (Russian Spec)	
	1001230982	Ref	Decal - Quick Start Reference (Spanish Spec)	
	1001230984	Ref	Decal - Quick Start Reference (Swedish Spec)	
	1706922	Ref	Decal - Service Support (24HR) (ANSI AND CSA Specs)	
	1705304	Ref	Decal - Service Support (CSG Machines Only)	
	1001126013	Ref	Decals - UL (China Built Machines) (UL Specs)	
	1001200363	Ref	Decals - UL (Mexico Built Machines) (UL Specs)	
	0274126	Ref	Decals - UL (USA Built Machines) (UL Specs)	
		Ref	Decal Kits	
	1001149795	Ref	Decal Kit - Complete 1930ES	
	2902522	1	Decal Kit - Country Spec (ANSI)	
	2902523	Ref	Decal Kit - Country Spec (Australian/CE)	
	2902526	Ref	Decal Kit - Country Spec (Brazil)	
	2902528	1	Decal Kit - Country Spec (Chinese)	
	2902524	Ref	Decal Kit - Country Spec (CSA)	
	2902532	1	Decal Kit - Country Spec (Korean)	
	2902525	Ref	Decal Kit - Country Spec (Latin American)	
	2902267	1	Decal Kit - Master	
	1001091968	Ref	Decal Kit - Platform Box	
	1001091393	Ref	Decal and Housing Kit - Platform Box	
	1001091965	Ref	Decal, Housing and PC Board Kit - Platform Box	
	1001233512	Ref	Drive Motor Covers	
	2915042	Ref	Drive Motors Replacing Kit (Peerless Motors)	
		Ref	Electrical Connector Kits	
	1001148902	Ref	Amp/Tyco Electrical Connector Kit	
	1001148903	Ref	Deutsch DT Electrical Connector Kit	
	1001148904	Ref	Deutsch HD Electrical Connector Kit	
	1001148905	Ref	Packard Electrical Connector Kit	
	1001148906	Ref	Various Electrical Connectors Kit	
	1001247037	Ref	Enhanced Detection System (EDS) Installation Kit – Level 1	
	1001099628	Ref	ES Drive Cable Upgrade	
	1001109345	Ref	ES Pothole Protection Switch Kit	
	1001109218	Ref	ES Pothole Protection Switch and Harness Kit	
	0274849	Ref	Fire Extinguisher Installation (ANSI Spec Only) (SN 0200239382 through 0200245234)	
	1001189484	Ref	Fire Extinguisher Installation (ANSI Spec Only) (SN 0200245235 to Present)	
	0273761	Ref	Footswitch Installation with LSS (ANSI Export, Japanese and Korea Specs)	
	1001185661	Ref	Footswitch Installation without LSS (Factory Installed) (Japanese Spec Only)	
	1001192497	Ref	Footswitch Installation without LSS (Add-on Kit)/(Japanese Spec Only)	
	1001219169	Ref	Frame Protective Cover (All Specs Except CE Specs)	
	2300028	Ref	Hydraulic Fluid - Mobil DTE 10 Excel 15 (Machines with Standard Oil)	

SECTION 10 - SPECIAL OPTIONS

ITEM	PART NUMBER	QTY	DESCRIPTION	REV
	2300042	Ref	Hydraulic Fluid - Mobil EAL H 32 (Machines with Biodegradable Oil)	
	0273859	Ref	Hydraulic Pressure Checks Installation (All Specs except Australian AND CE Specs)	
	1001154515	Ref	Inverter/Battery Charger (900W-60Hz) Installation (ANSI Spec Only)	
	1001140336	Ref	Latch, Magnetic Gate (ANSI, ANSI Export, Australian, China, Japanese and Korea Specs)	
	0273454	Ref	Lifting Lugs Installation (Factory Installed) (All Specs except Australian Specs)	
	1001229207	Ref	Lifting Lug Add-On Kit (Customer Installed) (All Specs except Australian Specs)	
	1001135753	Ref	Lifting Lugs Installation (Australian Specs Only)	
	1001215518	Ref	Machine Kit	C
	1001215519	1	1930ES Machine Sub-Assembly	C
	1001219125	1	Controller (ES System Module)	
	1001215241	1	Batteries Installation (220 A-HR) (Standard)	
	1001215242	1	Batteries Installation (245 A-HR) (No Lock)	
	1001215243	1	Batteries AGM Installation (220 A-HR) (No Lock)	
	2940175	1	Battery Cover Latch (Locking)	
	1001260888	Ref	Leak Containment Add-on Kit (Dealer Installed)	
	1001263426	Ref	Mobile Control Add-on Kit (Dealer Installed)	
	1001214119	Ref	Overhead Protection and Low Height Drive Cutout (Korea Specs Only)	
	1001238848	Ref	Platform Entry Kit (Chain Entry)	
	1001262556	Ref	Platform Entry Kit (Gate Entry)	
	1001118216	Ref	Platform Control Box Cover Installation (ANSI Export, CE, Chinese, Japanese, Korea AND UL Specs)	
	1001104466	Ref	Platform Corner Hook Kit	
	1001239166	Ref	Platform Extension Add-on Kit (Dealer Installed)	
	1001231786	Ref	Platform Extension Block Installation	
	1001214536	Ref	Platform Extension Lock Replacement Kit	
	1001214311	Ref	Platform Overhead Switch Kit	
	1001204094	Ref	Platform Pad Guide Kit	
	1001176744	Ref	Platform Rail Padding Installation (Available on All Specs)	
	1001176753	Ref	Platform Rail Padding with Limit Switches (ANSI AND UL Specs)	
	1001176749	Ref	Platform Rail Padding with Limit Switches (ANSI, ANSI Export, Chinese and Korea Specs)	
	1001232896	Ref	Platform Replacement Kit (with Chain Entry)	
	1001232895	Ref	Platform Replacement Kit (with Gate Entry)	
	1001232897	Ref	Platform Replacement Kit (with Gate Entry & Fold-Down Rails)	
	1001232571	Ref	Platform Soft Touch Kit (ANSI, ANSI Export and China Specs)	
	1001180071	Ref	Platform Worklights Installation (Note: Not Available on UL Machines)	
	1001220687	Ref	Platform Worklights Installation 24 Volt (Fixed) (Available on All Specs Except UL Specs)	
	1001171015	Ref	RCD Box Installation (Brazil Spec Only)	
	1001230763	Ref	Service Kits/Tools	K
	1001249707	Ref	SkySense Level 1 Add-on Kit (Dealer Installed)	
	3125053	Ref	Video, Operators (ANSI, ANSI Export AND UL Specs)	
	1001262959	Ref	Voltage Regulator Relocation (ClearSky) Kit	
	1001185053	Ref	White Noise Motion Alarm Kit	
	1001246747	Ref	Work Station with DC Converter	
	1001246750	Ref	Work Station with DC Converter	

SECTION 10 - SPECIAL OPTIONS

ITEM	PART NUMBER	QTY	DESCRIPTION	REV
	1001193039	Ref	Zapi Programming Harness	

PART NUMBER INDEX

SECTION 10 - SPECIAL OPTIONS

0060090.....31, 33	0275488 266, 275	0840058 ... 317, 319, 321,	1001094359.....369, 371,
0100011..13, 15, 43, 127,	0275530 127	339, 341, 347, 349	373, 375, 377, 379,
163, 165, 167	0275663 313	0840059 323	381, 383, 385
0100048....127, 155, 157,	0275664 311	0840060 285	1001096138.....317, 319,
293, 295, 297, 299,	0275665 309	0840061 ... 335, 337, 339,	321
301, 303	0275666 305	341	1001096705.....293, 295,
0100051....101, 103, 105,	0275667 307	0860520 ... 369, 371, 373,	297, 299, 301, 303, 347
107, 109, 111, 113,	0275692 233	375, 377, 379, 381,	1001097150.....289, 291
115, 117	0380025 ... 87, 89, 91, 93,	383, 385	1001097347.....317, 319,
0140011.....201, 203	95, 97, 99	0861527 225	390
0140043....71, 73, 75, 77,	0400215 111, 113, 115	0861650 119	1001099628.....393
79, 81, 83, 85	0440223 213	0861677 121	1001099919.....387
0200810....135, 139, 143,	0440259 13, 15, 261	0861678 105, 115, 121	1001100341.....355
147	0440264 ... 135, 139, 143,	0861731 ... 353, 359, 361,	1001100342.....357
0200815....135, 139, 143,	147	363	1001100345.....363
147	0440266 ... 135, 139, 143,	0861781 355, 357	1001100346.....359
0200821....135, 139, 143,	147	0861880 289	1001100347.....361
147	0480100 223	0902780 43	1001100451.....101, 103,
0200822....135, 139, 143,	0561513 153, 157	0902905 65	105, 107, 109, 111,
147	0610161 ... 87, 89, 91, 93,	0903339 ... 293, 295, 297,	113, 115, 117
0200823....135, 139, 143,	95, 97, 99, 390	299, 301, 303	1001101540.....273, 275,
147	0630580 17, 19	0903416 227	277
0200824....135, 139, 143,	0641514 223	0903444 43	1001102258....35, 37, 39,
147	0700510 51, 53	0903566 273, 275, 277	41, 45, 47, 49, 51, 53,
0200825....135, 139, 143,	0700610 213	0903569 273, 275	55, 57, 63
147	0700614 31, 33	0962257 ... 233, 236, 240,	1001102349.....25
0240071211	0700615 ... 71, 73, 75, 77,	244, 248, 252, 256	1001102351.....25
0240087209	79, 81, 83, 85, 219,	1001091102 271, 273,	1001102353.....25
0240102213	293, 295, 297, 299,	275, 277, 279, 281	1001102354.....25
027230965	301, 303	1001091153 201	1001102489....35, 39, 45,
0272721387	0700617 67, 115, 155,	1001091154 203	49, 55, 57
0272839266, 269	157	1001091272 201	1001103257.....35, 55
0272843392	0700618 37, 41, 47	1001091275 203	1001103258....39, 51, 57
0272870387	0700624 17, 19	1001091277 201, 203	1001103471.....45, 47
0272878392	0700814 161	1001091278 201, 203	1001104466.....394
0272879225	0700817 161, 181	1001091279 201, 203	1001109088.....31, 390
0272913392	0700823 ... 171, 177, 179,	1001091280 201, 203	1001109218 393
0273454394	181, 187	1001091283 201, 203	1001109232.....31, 33
0273698....101, 103, 107,	0700824 181	1001091393 201, 203,	1001109233.....31, 33
109, 111, 113, 117, 119	0701016 13, 15	393	1001109345.....393
0273761393	0701018 169, 177	1001091396 201, 203	1001109475.....289, 390
0273859394	0701019 ... 169, 171, 177,	1001091479 43	1001109482.....289, 390
0273955211	179, 181, 189, 191,	1001091502 22, 325	1001110826.....115
0273965209	193, 195, 197, 199, 217	1001091965 201, 203,	1001112111....35, 39, 45,
0274126393	0701020 187, 193, 199	393	49, 51, 53, 59
0274153213	0701021 ... 171, 179, 189,	1001091968 201, 203,	1001112112.....101, 103,
0274386207	191	393	105
0274516392	0701022 ... 133, 135, 137,	1001092071 387	1001112113....35, 39, 45,
0274849393	139, 141, 143, 145,	1001092354 133, 137,	51, 53, 63, 101, 103,
0274874233	147, 151, 153, 155, 157	141, 145, 390	105, 111, 113, 117
0275020111	0701027 ... 151, 153, 155,	1001092454 127	1001113574.....45
0275022113	157	1001092456 .. 17, 19, 390	100111446727
0275072225, 227	0710617 219	1001092497 387	1001114885.....73
027507935	0740603 211	1001092580 387	1001114886.....77
027508839, 51	0760410 65	1001092737 ... 17, 19, 22	1001114925.....81
027510343	0760605 295, 299, 303	1001093556 127, 343	1001114929.....73, 89
0275216273, 355	0760606 45, 47, 293, 295,	1001093839 43	1001114930.....81, 97
0275217275, 357	297, 299, 301, 303	1001094105 343	1001114932.....77, 93
0275401101	0760608 221	1001094167 347	1001114933.....89, 93, 97
0275432129	0760610 ... 101, 103, 105,	1001094175 293, 295,	1001114935....89, 93, 97,
0275452281, 363	111, 113, 115, 117, 221	297, 299, 301, 303	329
0275453....271, 279, 361	0760812 43	1001094180 293, 297,	1001114937....87, 89, 91,
0275454277, 359	0761014 ... 135, 139, 143,	301	93, 95, 97, 99
0275480115	147, 151, 153, 155, 157	1001094203 127	1001114992.....285
0275486266, 277	0840055 339, 341	1001094301 17, 19	1001115002.....293, 295,
0275487266, 273			297, 299, 301, 303, 323

SECTION 10 - SPECIAL OPTIONS

1001115076 317, 319, 321	1001163095.... 87, 91, 95, 99, 390	1001179383.....195	1001197347 321
1001115077 331, 333	1001165284.... 87, 91, 95, 99	1001179384.....195, 197	1001198711 283
1001115170 17, 19	1001165286.... 87, 91, 95, 99	1001179386.....195, 197	1001199189 223
1001116732 319	1001165315.... 87, 91, 95, 99	1001179387.....195, 197	1001200363 393
1001116733 319	1001165316.... 87, 91, 95, 99	1001179389.....195, 197	1001201239 349
1001117032 17	1001166194..... 71, 87	1001179390.....195	1001201242 293, 297, 301, 349
1001117057 317, 319, 321	1001166195..... 79, 95	1001179393.....195	1001202618 331
1001117265 31	1001166197.... 75, 83, 85, 91, 99	1001179427.....55	1001202619 331
1001118216 394	1001166255.... 87, 91, 95, 99	1001180071.....394	1001204094 394
1001119032 331, 333	1001166759.....266	1001180090....87, 91, 95, 99	1001207970 37
1001120621 387	1001166776.... 87, 91, 95, 99	1001180313.....57	1001207974 41, 47
1001120622 387	1001166823..... 71	1001181045.....289	1001208641 87, 333
1001120623 387	1001166825..... 79	1001181267.....375	1001209104 117
1001120629 387	1001166828..... 75, 83	1001181268.....369	1001209256 153, 157, 167
1001126013 393	1001167256.... 87, 91, 95, 99, 331	1001181269.....375	1001209280 167
1001126898 33	1001169392..... 390	1001181270.....371	1001210433 293, 297, 301
1001126905 33, 390	1001171015..... 394	1001181271.....381	1001211593 271
1001127523 115	1001172007..... 49, 53	1001181272.....385	1001211892 161
1001129267 15, 261	1001172010.... 49, 53, 63	1001181273.....373	1001211895 193, 199
1001129288 139, 244	1001173703..... 387	1001181274.....379	1001211896 193, 199
1001130614 215, 217, 390	1001175188.... 151, 153, 155, 157	1001182062.....159	1001212460 51
1001131004 137	1001175290..... 159	1001182096.....173, 183	1001212700 179
1001131009 141	1001175402..... 159	1001182099.....173, 183	1001212850 171
1001131019 137, 139	1001175463.... 151, 155, 159	1001182100.....177, 183	1001212853 191
1001131027 141, 143	1001176737..... 177	1001182302.....151, 155, 163	1001212859 179, 185
1001131033 143, 256	1001176740..... 169	1001182304.....163, 167	1001212860 175, 185
1001131074 15	1001176743..... 189	1001182305.....163, 167	1001212861 175, 185
1001131270 369	1001176744..... 394	1001182338.....163, 167	1001212862 175, 185
1001132233 103	1001176749..... 394	1001182339.....159, 161	1001212863 171, 175
1001135753 394	1001176753..... 394	1001183458..... 392	1001212864 191, 197
1001136847 393	1001176755..... 394	1001184947..... 51, 53	1001212865 197
1001137675 193, 199	1001177175..... 151	1001185053..... 392, 394	1001212866 197
1001140336 394	1001177176..... 155	1001185156..... 51, 53	1001212867 197
1001143663 264	1001177410..... 67	1001185306..... 51, 53	1001213391 215, 217
1001146794 369, 371, 373, 377, 379, 381, 383, 385	1001177418..... 67	1001185661..... 393	1001213525 392
1001146795 375	1001177842.... 55, 57, 61	1001185830..... 51, 53	1001213660 217
1001148902 393	1001178323..... 163	1001186497..... 51, 53	1001213821 219
1001148903 393	1001178530..... 293	1001187101..... 51, 53	1001213822 219
1001148904 393	1001178531..... 297	1001187203..... 293, 295, 297, 299, 317, 319	1001214029 387
1001148905 393	1001178532..... 285	1001187530..... 51, 53	1001214119 217, 394
1001148906 393	1001178533..... 285	1001187585..... 195, 197	1001214270 139, 248
1001149795 393	1001178534..... 285	1001187587..... 193, 195, 197, 199, 223	1001214271 135, 240
1001152479 291, 390	1001178535..... 285, 293, 295, 297, 299, 301, 303	1001187816..... 283	1001214310 219
1001152482 291	1001178536..... 293, 295, 297, 299, 301, 303, 351	1001188116..... 283	1001214311 217, 219, 394
1001152483 291	1001178682..... 335, 337	1001188716..... 392	1001214340 217
1001152485 279, 281, 291	1001178683..... 297, 299, 337	1001188882..... 169, 173	1001214347 107, 109
1001154515 394	1001178685..... 293, 295, 301, 303, 335	1001189171..... 291	1001214409 215, 217
1001155840 135, 236	1001179277..... 195, 197	1001189172..... 291	1001214536 394
1001155850 13, 259	1001179287..... 195, 197	1001189484..... 393	1001215230 193
1001157315 133, 135	1001179298..... 195, 197	1001189762..... 173, 175, 183, 185, 195, 197	1001215237 187, 199
1001157321 133	1001179299..... 195, 197	1001190009..... 392	1001215239 153, 157, 161
1001157326 13	1001179332..... 195, 197	1001191270..... 381	1001215241 394
1001157329 147, 252	1001179382..... 189, 195	1001192401..... 317, 319, 321	1001215242 394
1001157334 145, 147		1001192497..... 393	1001215247 85
1001157339 145		1001193039..... 395	1001215248 85
1001157890 321		1001196836..... 301, 303, 321	1001215326 51, 53
1001159186 331, 333		1001196838..... 321, 341	1001215518 394
1001159192 105		1001196865..... 301	1001215519 394
1001162362 279, 281		1001196958..... 53	1001215870 ... 35, 37, 39, 41, 45, 47, 49, 51, 53, 63
1001162447 266, 279			
1001162449 266, 281			

SECTION 10 - SPECIAL OPTIONS

1001216313.....369, 371, 373, 375, 377, 379, 381, 383, 385	1001230975..... 393	1001262959..... 394	1703814....369, 371, 373, 375, 377, 379, 381, 383, 385
1001216829..... 153	1001230979..... 393	1001263062..... 155, 341	1703819....201, 203, 369, 371, 373, 375, 377, 379, 381, 383, 385
1001216831..... 157	1001230980..... 393	1001263426..... 394	1703822....369, 371, 373, 375, 377, 379, 381, 383, 385
1001217111..... 181	1001230981..... 393	1001265377..... 392	1703834..... 373
1001217113..... 187	1001230982..... 393	1001265384..... 392	1704016....369, 371, 373, 375, 377, 379, 381, 383, 385
1001217114..... 187	1001230983..... 393	1060331..... 211	1704277....369, 371, 373, 375, 377, 379, 381, 383, 385
1001217115..... 187	1001230984..... 393	1060379 ... 209, 211, 213, 223, 225	1704339..... 385
1001217118..... 187, 199	1001231066..... 387	1060689..... 45, 47	1704340..... 381
1001217119..... 187	1001231234..... 215, 217	1060908..... 289, 291	1704341..... 373
1001217173..... 199	1001231786..... 394	1060957..... 225	1704344..... 379
1001217327..... 375	1001231801..... 369	1060998..... 285	1704412....369, 371, 373, 375, 377, 379, 381, 383, 385
1001217666..... 219	1001232145..... 159	1061036 ... 133, 137, 141, 145, 233	1705052..... 43
1001217730..... 161	1001232541..... 377	1120555..... 209, 211	1705213..... 225
1001217735..... 199	1001232637..... 173, 175, 183, 185	1260136..... 169, 171	1705214..... 225
1001217736..... 199	1001232895..... 394	1320043..... 43	1705303..... 387
1001217737..... 199	1001232896..... 394	1320136 ... 37, 39, 41, 45, 47, 57	1705304..... 393
1001217739..... 193	1001232897..... 394	1320224..... 115, 225	1705305..... 225
1001217740..... 193	1001233237..... 392	1320318 ... 155, 157, 293, 295, 297, 299, 301, 303	1705638..... 387
1001217741..... 193, 199	1001233512..... 393	1321293 ... 35, 39, 45, 49, 51, 53, 55, 63	1705647..... 387
1001217742..... 199	1001233888..... 119, 121	1321716 ... 293, 295, 297, 299, 301, 303	1705648..... 387
1001217743..... 199	1001234398..... 151, 155, 165	1380132 ... 175, 185, 197	1705666..... 387
1001217744..... 199	1001234399..... 165, 167	1380153..... 13, 15	1705670..... 371, 375, 377
1001217745..... 161	1001234401..... 165	1380156..... 201, 203	1705671..... 371, 375, 377
1001217746..... 199	1001234783..... 213	1380158 ... 155, 157, 293, 295, 297, 299, 301, 303	1705673..... 371, 375, 377
1001217747..... 199	1001235514..... 221	1580023..... 209, 211	1705676..... 201, 203
1001217748..... 181, 187	1001235863..... 221	1580024..... 209, 211	1705679....369, 379, 381, 383, 385
1001217749..... 181	1001235923..... 221	1600387..... 155, 157	1705680....369, 379, 381, 383, 385
1001217923..... 161	1001236508..... 221	1600402 ... 201, 203, 205, 390	1705681....369, 379, 381, 383, 385
1001217924..... 161	1001238848..... 394	1600439 ... 201, 203, 390	1705686..... 369
1001218595..... 63	1001239166..... 394	1671098..... 201, 203	1705692....369, 371, 373, 375, 377, 379, 381, 383, 385
1001219122..... 19	1001241857..... 175, 185	1671105 ... 87, 89, 91, 93, 95, 97, 99	1705693....369, 371, 373, 375, 377, 379, 381, 383, 385
1001219125..... 394	1001241858..... 175, 185	1671202 ... 101, 107, 111, 117, 123	1705694....369, 379, 381, 383, 385
1001219169..... 393	1001242542..... 63	1671203..... 123, 125	1705695....369, 379, 381, 383, 385
1001219353..... 295	1001242757..... 63	1671204 ... 103, 105, 109, 113, 115, 125	1705696..... 87, 89
1001219354..... 299	1001243185..... 392	1671207..... 353	1705697.... 91, 93, 95, 97, 99
1001219357..... 303	1001243186..... 392	1671266..... 43	1705698.... 87, 89, 91, 93, 95, 97, 99
1001219582..... 29	1001243574..... 392	1684484..... 135, 232	1705699..... 387
1001220668..... 295, 299, 303	1001243601..... 159, 161	1684526..... 147, 232	1703464..... 269, 273
1001220687..... 394	1001244298..... 377, 379	1701499 ... 369, 371, 373, 375, 377, 379, 381, 383, 385	1703811 ... 369, 371, 373, 375, 377, 379, 381, 383, 385
1001221475..... 165, 167	1001244301..... 377, 379	1701509 ... 369, 371, 373, 375, 377, 379, 381, 383, 385	1702010..... 221
1001221476..... 165, 167	1001246747..... 394	1702155 ... 369, 371, 373, 375, 377, 379, 381, 383, 385	1703813..... 369
1001221949..... 315	1001246750..... 394	1702207..... 387	
1001221984..... 315	1001247037..... 393	1703464..... 269, 273	
1001222914..... 219	1001248130..... 107	1703811 ... 369, 371, 373, 375, 377, 379, 381, 383, 385	
1001223055..... 369	1001248131..... 109		
1001223971..... 381	1001249707..... 394		
1001224048..... 383	1001252957..... 37, 41, 47		
1001224049..... 385	1001252960..... 37		
1001224050..... 379	1001252961..... 41		
1001224052..... 373	1001252962..... 47		
1001226400..... 347	1001253627..... 392		
1001226419..... 393	1001253638..... 37, 41, 47		
1001227213..... 45, 47	1001253641..... 37, 41, 47		
1001227219..... 45	1001253643..... 37, 41, 47		
1001227267..... 45, 47	1001253879..... 392		
1001228370..... 369, 381	1001253948..... 392		
1001228965..... 387	1001253949..... 392		
1001229107..... 392	1001253952..... 37, 41, 47		
1001229207..... 394	1001254325..... 392		
1001229441..... 223	1001255596..... 392		
1001229469..... 223	1001255613..... 392		
1001229696..... 392	1001255614..... 392		
1001230753..... 215	1001260888..... 394		
1001230763..... 394	1001262556..... 394		

SECTION 10 - SPECIAL OPTIONS

1705724	373, 385	2860030 ...	87, 89, 91, 93, 95, 97, 99, 390	3290806....	171, 175, 177, 179, 181, 185, 187, 197	3574176	31, 33
1705725	373, 385	2902267 ...	369, 371, 373, 375, 377, 379, 381, 383, 385, 393	3291001.....	177, 179	3574184 ...	173, 175, 183, 185
1705726	373	2902331	129	3291005 31, 33, 133, 137, 141, 145, 151, 153, 155, 157, 165, 167, 169, 171, 181, 187, 189, 191, 193, 199, 293, 295, 297, 299, 301, 303	3574505	221	
1705727	373	2902334	225	3291006....	169, 177, 193, 195, 197, 199, 217	3574981 ...	101, 103, 105, 107, 109, 111, 113, 115, 117
1705754 ...	123, 125, 225, 369, 371, 373, 379, 381, 383, 385, 387	2902348	209, 211	3291007....	135, 139, 143, 147	3574984 ...	101, 103, 105, 107, 109, 111, 113, 115, 117
1705781	375, 377, 387	2902386	213	3291007....	135, 139, 143, 147	3575794	207
1705894	373	2902431	269, 353	3291007....	135, 139, 143, 147	3576093 ...	135, 139, 143, 147
1705943	379	2902455 ...	135, 139, 143, 147	3300048.....	225	3576645 ...	173, 175, 183, 185
1705944	379	2902522	369, 393	3300423.....	25	3577076	119, 121
1705945	379	2902523 ...	371, 375, 377, 393	3300473.....	201, 203	3641604 ...	173, 175, 183, 185
1705946	379	2902524	381, 393	3300477....	169, 171, 177, 179, 189, 191	3641605 ...	173, 175, 183, 185
1705953	225	2902525	385, 393	3310601.....	211	3641606 ...	173, 175, 183, 185
1705997	209, 211	2902526	373, 393	3311005.....	211	3730119	347, 349
1706052	383	2902528	379, 393	3311405.....	211	3740150	17, 19
1706053	383	2902532	383, 393	3321005....	87, 89, 91, 93, 95, 97, 99	3760115 31, 33, 135, 139, 143, 147	
1706056	383	2902541 ...	273, 275, 277, 289	3321402....	133, 137, 141, 145, 233	3760170 ...	135, 139, 143, 147, 209, 211, 213, 223, 225
1706057	383	2915012	27	3340612....	173, 175, 183, 185, 187, 195, 197, 199	3760348	31, 33
1706350	123, 125	2915042	393	3340962....	135, 139, 143, 147	3760463	17, 19
1706679	127	2915230	59	3340964....	133, 137, 141, 145	3820019	175, 185, 197
1706749	43	2920026 ...	91, 93, 95, 97, 99	3340965.....	151, 155	3820032	119, 121
1706765	392	2920094 ...	91, 93, 95, 97, 99	3340968.....	201, 203	3841143 ...	135, 139, 143, 147
1706922	393	2920161	65	3340976....	151, 153, 155, 157	3841675	213
1707022	383	2940064	169, 171, 390	3380475.....	201, 203	3841716 ...	169, 171, 177, 179, 189, 191
2030010	227	2940174	123	3380527.....	211	3860111 ...	173, 175, 183, 185, 195, 197
2080040 ...	173, 175, 177, 179, 181, 183, 185, 187, 189, 191, 193, 195, 197, 199, 369, 371, 373, 375, 377, 379, 381, 383, 385	2940175	125, 394	3421453.....	213, 225	3860118	159, 161
2080057 ...	369, 371, 373, 375, 377, 379, 381, 383, 385	3010088	169, 171	3421854.....	223	3900190	163, 165, 167
2110404	13, 15, 259, 261	3010158	31, 33	3422219....	209, 211, 213	3900333	201, 203
2220882	233	3080007 ...	177, 179, 181, 189, 191, 193	3422938.....	155, 157	3900336 ...	87, 89, 91, 93, 95, 97, 99
2220883	232, 233	3125053	394	3423031....	135, 139, 143, 147	3900338 ...	87, 89, 91, 93, 95, 97, 99, 207
2300028	393	3200454 ...	133, 137, 141, 145	3423032....	135, 139, 143, 147	3900339 ...	87, 89, 91, 93, 95, 97, 99
2300042	394	3200456	157	3423037.....	13, 15	3900345	175, 185, 197
2400060 ...	317, 319, 321, 341	3251813	387	3423038....	135, 139, 143, 147	3900351 31, 33, 293, 295, 297, 299, 301, 303	
2400061	211	3252098	381	3423042....	135, 139, 143, 147	3900355	209, 211
2400066	211	3252507 ...	271, 275, 277, 279, 281, 283	3423045.....	31, 33	3900356	89, 93, 97
2420172 ...	87, 89, 91, 93, 95, 97, 99	3290405 ...	31, 33, 45, 51, 53, 65, 207, 269, 271, 273, 275, 277, 279, 281, 283	3423189.....	31, 33	3900381	45, 47
2540042	345	3290505	45, 47, 51, 53	3423239....	133, 137, 141, 145	3931010	211
2540045 ...	151, 153, 155, 157	3290605 .	31, 33, 63, 101, 103, 105, 107, 109, 111, 113, 115, 117, 163, 167, 273, 275, 293, 295, 297, 299, 301, 303	3423267.....	31, 33	3931408	211
2560088	175, 185, 197	3290606	17, 19, 155, 157, 169, 171, 173, 175, 177, 179, 183, 185, 189, 191, 195, 197, 213, 219, 221, 225, 227, 293, 295, 297, 299, 301, 303	3423278.....	195, 197	3931412 ...	87, 91, 95, 99, 209, 211
2560179	201, 203	3290607 ...	37, 41, 47, 67, 115	3450406.....	25	3931508	209, 211
2560190	175, 185, 197	3290805	161	3460334.....	209, 211	3951608	129
2600281 ...	177, 179, 181, 189, 191, 193			3520072....	169, 171, 177, 179, 181, 189, 191, 193, 213	4010405	283
2700100	209, 211			3520193.....	87, 89	4010408 51, 53, 269, 271, 273, 275, 277, 279, 281	
2755056	13, 15			3574159....	135, 139, 143, 147	4010412	51, 53
2780266	17, 19, 25					4010608 ...	225, 227, 279, 281
2792599	264						
2820026 ...	335, 337, 347, 349						
2820028 ...	317, 321, 335, 337, 347, 349						
2820029	319						
2820097	169, 171						
2820152	321						
2820239	43						
2820240	43						

SECTION 10 - SPECIAL OPTIONS

4010612.....273, 275	4360475 ... 87, 89, 91, 93,	4460662 ... 271, 277, 279,	4740086.....31, 33
4010614.....225	95, 97, 99, 201, 203,	281, 353	4740446.....159, 161
4010616....169, 171, 177,	390	4460754 347, 349	4740468.....25
179, 189, 191, 195,	4360538 201, 203, 390	4460761 317, 319, 321	4740480.....209, 211
197, 293, 295, 297,	4360539 201, 203, 390	4460778 351	4740524.....17, 19
299, 301, 303	4360613 287, 390	4460836 339, 341	4740531....135, 139, 143,
4010617 195	4420037 221	4460868 343	147
4010618....173, 175, 177,	4420051 387	4460871 317, 319, 321	4740545....293, 295, 297,
179, 183, 185, 195,	4420062 ... 209, 211, 213,	4460873 317, 319, 321	299, 301, 303
197, 227	223	4460877 343	4740562.....43
4031508.....51, 53	4420070 ... 133, 137, 141,	4460878 365	4740564.....17, 19
4031511215, 217	145	4460884 ... 211, 215, 217,	4750800.....65, 123, 125
4031512.....31, 33	4420080 67	317, 319, 321, 331, 333	4751000....87, 89, 91, 93,
4031607127	4460007 51, 53	4460885 365	95, 97, 99
403170863	4460115 331, 333	4460887 365	4751400.....17, 19, 67
4060805....293, 295, 297,	4460138 269	4460891 17, 19, 217, 317,	4751500.....223
299, 301, 303	4460183 331, 333	319, 321, 323, 325	4811400..45, 51, 53, 207,
4060865.....65	4460226 ... 217, 317, 319,	4460894 ... 317, 319, 321,	273, 275, 283
4060906.....215, 217	321, 343	323	481160051, 53, 119, 121,
4160078....133, 137, 141,	4460227 59, 61, 217, 317,	4460897 317, 319, 321	127
145, 233	319, 321	4460899 59, 61, 317, 319,	4811700....17, 19, 31, 33,
4160202.....31, 33	4460259 ... 317, 319, 321,	321	35, 39, 43, 45, 49, 51,
4160203201, 203	329, 331, 333	4460905 317, 319, 321	53, 55, 57, 63, 65, 101,
4191306.....201, 203	4460260 ... 317, 319, 321,	4460918 331, 333	103, 105, 107, 109,
4191407201, 203	329, 331, 333, 365	4460930 ... 335, 337, 339,	111, 113, 115, 117,
4191409201, 203	4460265 345	341	221, 227, 273, 275,
4191706....35, 39, 43, 45,	4460267 329, 345	4460931 ... 317, 319, 321,	277, 279, 281
49, 51, 53, 55, 57, 71,	4460268 ... 87, 91, 95, 99,	339, 341, 347, 349	4811702..37, 41, 47, 293,
73, 75, 77, 79, 81, 83,	331, 333	4460932 215, 217	295, 297, 299, 301, 303
85, 133, 137, 141, 145,	4460297 365	4460933 339, 341	4811900....161, 163, 167,
213, 273, 275, 277, 281	4460315 269	4460942 317, 319, 321	171, 177, 179, 181, 187
4191707 63, 65, 101, 103,	4460320 ... 217, 317, 319,	4460943 ... 317, 319, 321,	4812000....13, 15, 31, 33,
105, 107, 109, 111,	321	331, 333, 335, 337,	135, 139, 143, 147,
113, 115, 117, 155,	4460321 ... 87, 91, 95, 99,	339, 341, 347, 349	151, 153, 155, 157,
157, 279	343	4460944 ... 329, 335, 337,	163, 167, 169, 171,
4191708.....17, 19	4460328 225	339, 341, 347, 349	177, 179, 181, 187,
419170917, 19	4460346 353	4460956 289	189, 191, 193, 195,
4220227213	4460374 317, 319, 321	4460957 289	197, 199, 217, 293,
4220252119, 121	4460375 317, 321	4460961 329	295, 297, 299, 301, 303
4220253119, 121	4460418 ... 215, 217, 329,	4460968 51, 53, 283	4812002....165, 167, 169,
422028731, 33	331, 333	4460986 317, 319, 321	171, 177, 179, 189, 191
4240003....209, 211, 213,	4460419 215, 217, 329	4461002 287	4831600.....45, 47
287	4460424 59, 61, 217	4461012 211	4831700.....17, 19, 47
424001751, 53	4460464 ... 33, 59, 61, 71,	4461016 345	4841700.....45
4240033.45, 47, 155, 157	73, 75, 77, 79, 81, 83,	4461057 345	4846723....183, 185, 187,
424014717, 19	85, 215, 217, 317, 319,	4461077 329, 331	195, 197, 199
4240165221	321, 331, 333, 339,	4461196 305, 355	4846757.....13, 15
4240172105, 115	341, 345, 347, 349, 365	4461198 355	4846775.....31, 33
434073989, 93, 97	4460465 ... 211, 215, 217,	4461199 307, 357	4846861.....31, 33
4340853209, 211	317, 319, 321, 323,	4461201 357	4922870....201, 203, 345
4340854209, 211	325, 335, 337, 339,	4461202 313, 363	4922944.....129, 287
4340931155	341, 347, 349	4461205 ... 311, 313, 361,	4923048.....225
4340938225	4460466 ... 215, 217, 317,	363	4923049.....227
4340946213	319, 321, 331, 333,	4461244 363	4923114.....211
4340947213	335, 337, 339, 341,	4461245 361	4923121.....211, 365
4360069....87, 89, 91, 93,	345, 347, 349	4461246 359	4923228....155, 157, 339
95, 97, 99, 390	4460493 347, 349	4461249 309, 359	4923367.....285
4360155225	4460496 345	4461257 273, 275	4923374.....285
4360328....87, 89, 91, 93,	4460497 345	4461258 273, 275	4923390.....43
95, 97, 99, 390	4460508 327	4461260 327	4923391.....43
4360345215, 217	4460509 325	4461261 325	4923392.....43
4360387127, 390	4460535 33	4530021 225	4923393.....43
4360469....87, 89, 91, 93,	4460536 ... 71, 73, 75, 77,	4530026 211	4923414.....115
99, 390	79, 81, 83, 85	4568738 201, 203	4923602.....17, 19, 327
4360470.....95, 97, 390	4460539 317, 319, 321	4569305 ... 173, 175, 183,	5241000....163, 165, 167
	4460648 59, 317, 319,	185, 187	70000082.....205
	321	4711400 209, 211, 213	70000084.....205

SECTION 10 - SPECIAL OPTIONS

70000191	22	70004622 ..	244, 248, 256	70004970..	236, 240, 244,	7023538	233
70000335	232	70004623 ..	244, 248, 256	248, 252, 256		7023542	233
70000658	232	70004624 ..	244, 248, 256	70004971..	236, 240, 245,	7023543	233
70000683	205	70004625 ..	244, 248, 256	249, 252, 257		7023550	233
70000684	205	70004626 ..	244, 248, 256	70004972..	236, 240, 245,	7023551	233
70000685	205	70004627	244, 256	249, 252, 257		7023552	233
70000686	205	70004654 .	236, 240, 245,	70004973..	236, 240, 244,	7023553	233
70000790	22	249, 252, 257		248, 252, 256		7023554	233
70000791	22	70004718 ..	236, 240, 252	70004974..	236, 240, 244,	7023558	232
70000792	22	70004719	236, 252	248, 252, 256		7023569	232
70000798	233	70004720 ..	236, 240, 252	70004975..	236, 240, 244,	7023570	232
70000799	233	70004721	236, 252	248, 252, 256		7023571	232
70001250	205	70004779	259	70005233..	236, 240, 244,	7023572	232
70001251	205	70004780	259	248, 252, 256		7023573	232
70001252	205	70004781	259	70005234..	236, 240, 244,	7023574	233
70001253	205	70004914 .	236, 240, 244,	248, 252, 256		7023575	233
70001263	23	248, 252, 256		70005235..	236, 240, 245,	7023576	233
70001265	23	70004915 .	236, 240, 244,	249, 252, 256		7023577	232
70001442	325	248, 252, 256		70005236..	236, 240, 245,	7023589	232
70001443	325	70004916 .	236, 240, 244,	249, 252, 257		7023591	232
70001709	233	248, 252, 256		70005237..	236, 240, 245,	7023593	232
70001739	22	70004917 .	236, 240, 244,	249, 252, 257		7024747	23
70001878 .	133, 137, 141,	248, 252, 256		70005238..	236, 240, 245,	7024748	23
145, 233		70004921 .	236, 240, 245,	249, 252, 257		7024749	23
70001949	22	249, 252, 257		70005968.....	240	7024750	23
70003028 .	236, 240, 244,	70004925 .	236, 240, 244,	70005969.....	240	7024756	23
248, 252, 256		248, 252, 256		70005970.....	240	7024757	22
70003645	232	70004926 .	236, 240, 244,	70005971.....	240	7024758	23
70003646	232	248, 252, 256		70005975.....	248	7024771	23
70003650	205	70004927 .	236, 240, 244,	70006082...236, 240, 252		7024772	23
70003663 ..	244, 248, 256	248, 252, 256		70006083...236, 240, 252		7024773	23
70003706	390	70004928 .	236, 240, 244,	70006342.....	259	7024785	22
70003707 .	236, 240, 244,	248, 252, 256, 390		70006426.....	22	7024786	22
248, 252, 256, 390		70004932 .	236, 240, 244,	70023915...236, 240, 252		7027303	225
70004237 ..	244, 248, 256	248, 252, 256		7020175....87, 89, 91, 93,		7027365	205
70004239	261	70004934 .	236, 240, 244,	95, 97, 99, 201, 203		7027367	205
70004241	261	248, 252, 256		7020176....87, 89, 91, 93,		7027765	205
70004244	261	70004935 .	236, 240, 244,	95, 97, 99, 201, 203		7027766	205
70004245	261	248, 252, 256		7020218....133, 137, 141,		7027863	125
70004585 .	236, 240, 244,	70004936 .	236, 240, 244,	145, 233		7028909	219
248, 252, 256		248, 252, 256		7023530.....	233	77363228	219
70004620	244, 256	70004938 .	236, 240, 244,	7023536.....	233	80325	213
70004621 ..	244, 248, 256	248, 252, 256		7023537.....	233	8229242	317, 319, 321



3121681



An Oshkosh Corporation Company

Corporate Office
JLG Industries, Inc.
1 JLG Drive
McConnellsburg, PA 17233-9533 USA
☎ (717) 485-5161 (Corporate)
☎ (877) 554-5438 (Customer Support)
☎ (717) 485-6417

Visit our website for JLG Worldwide Locations.
www.jlg.com