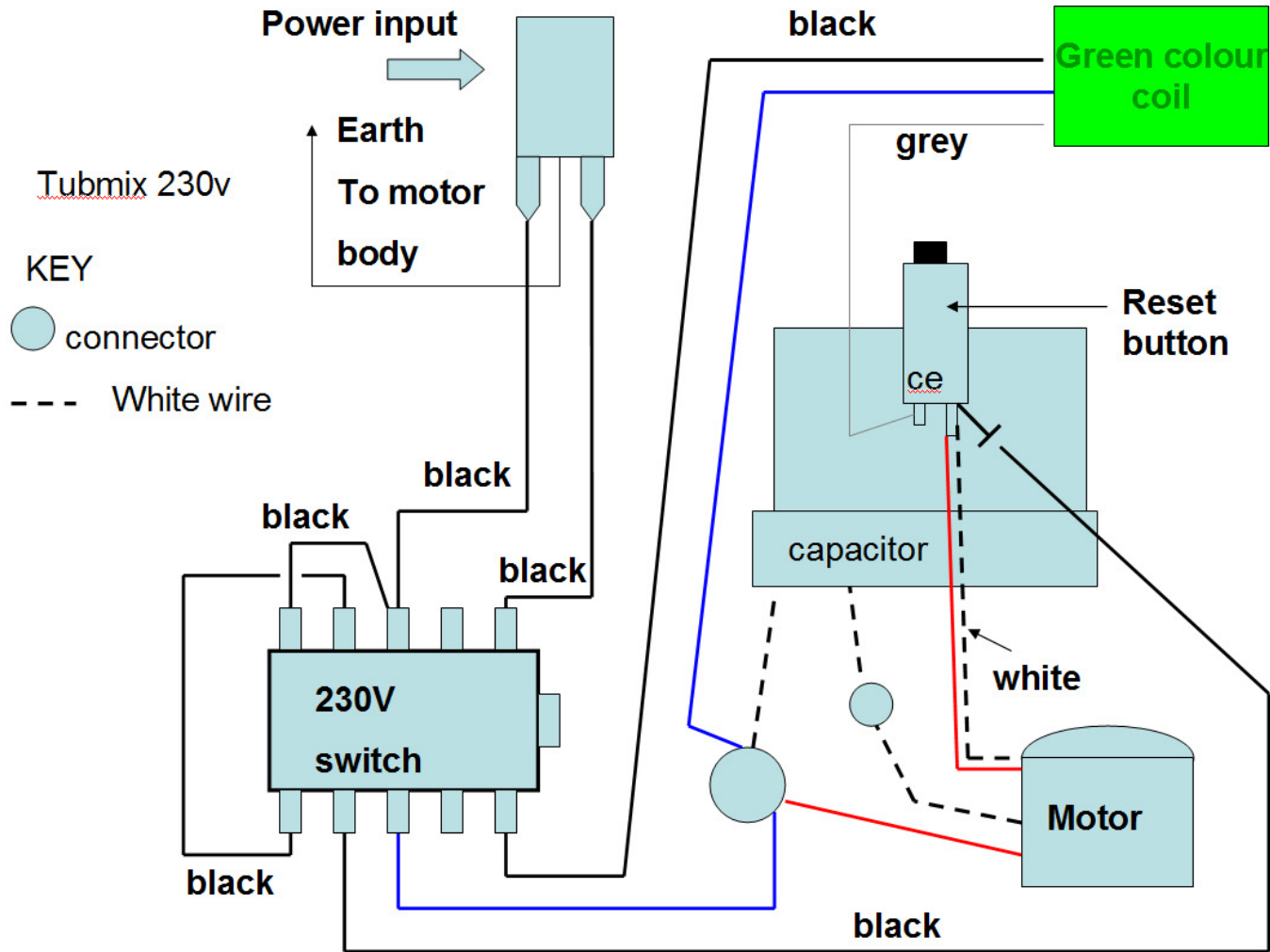




BELLE  
LIGHT  
CONSTRUCTION  
EQUIPMENT



ALTRAD BELLE  
Sheen, Nr. Buxton, Derbyshire, SK17 0EU, GB  
Tel. +44 (0)1298 84606 - Fax +44 (0)1298 84722 - Email: sales@altrad-belle.com  
[www.Altrad-Belle.com](http://www.Altrad-Belle.com)