



A TEREX BRAND

Parts Manual

Serial Number Range

***Superlift
Advantage***

from SN 5594-101 to 5501-15094
and from SLA02-15095 to
SLA04-25258

Part No. 32283GT
Rev: B.28
October 2023

Technical Publications

Genie has endeavored to deliver the highest degree of accuracy possible. However, continuous improvement of our products is a Genie policy. Therefore, product specifications are subject to change without notice.

Readers are encouraged to notify Genie of errors and send in suggestions for improvement. All communications will be carefully considered for future printings of this and all other manuals.

Contact Us:

Internet: www.genielift.com
e-mail: awp.techpub@terex.com

Find a Manual for this Model


Go to <http://www.genielift.com>

Use the links to locate Operator's, Parts, Maintenance, and Service and Repair Manuals.

Copyright © 2011 by Terex Corporation

32283GT Rev B.28 October 2023
Third Edition, Second Printing

Genie is a registered trademark of Terex South Dakota, Inc. in the USA and many other countries. "SLA" is a trademark of Terex South Dakota, Inc.

 Printed on recycled paper

Genie

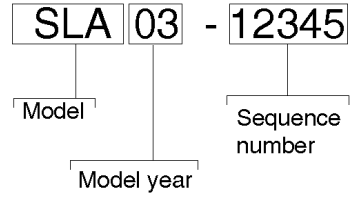
A TEREX BRAND
Terex South Dakota, Inc.
18340 NE 76th Street
Redmond, WA 98052 USA

Model Name: SLA-5

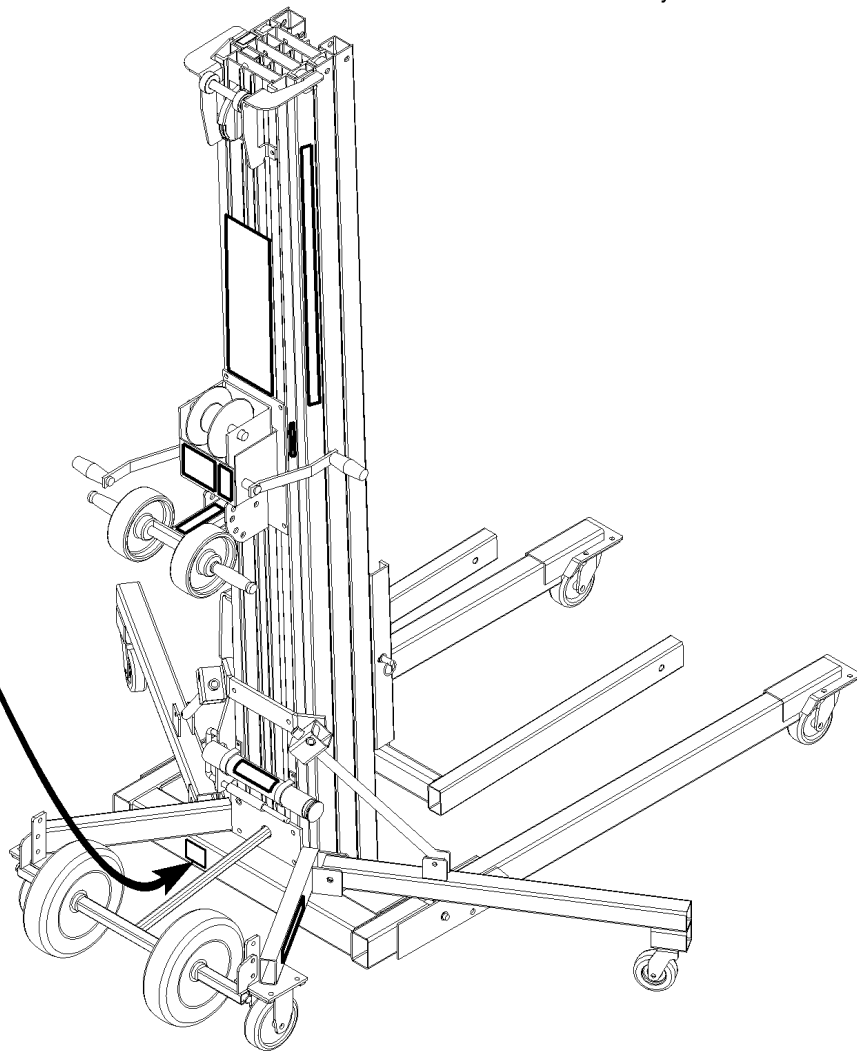
Serial Number: SLA03-12345

Manufacture Date: 01/02/03

Electrical Schematic: N/A



Serial label



Genie
A TEREX BRAND

How to Order Parts

Please be prepared with the following information when ordering replacement parts for your Terex or Genie product.

- Machine model number
- Machine serial number
- Part number
- Part description and quantity
- Purchase order number
- "Ship to" address
- Desired method of shipment
- Name and telephone number of the authorized distributor in your area

Use the Service Parts Fax Order Form on the next page and fax your order to our Parts Department.

If you don't know the name of your authorized distributor, or if your area is not currently serviced by an authorized distributor, please call Terex or Genie Industries.

Machine Information

Model

Serial Number

Date of Purchase

Authorized Genie Distributor

Phone Number

North America

Telephone (425)881-1800
 Toll Free (800)536-1800 in US and Canada
 Fax (425)556-8659
 Toll Free fax (888)274-6192
 Email AWP.PartsSalesPO@terex.com
<http://genielift.com/en>

EMEAR (Europe, Middle East, Africa and Russia)

Telephone (31)(165)519 313
 Fax (31)(165)511 148
<http://genielift.co.uk>

Asia Pacific (Genie Singapore)

Telephone +65 6692 7777
 Fax +65 6261 8893
<http://genielift.com.sg/>

Australia

Telephone (61)(7)3456 4444
 Fax (61)(7)3456 4466
<http://genielift.com.au>

South America

Telephone (55)(11)4082 5600
 Fax (55)(11)4082 5630

Required Parts

The following parts are required to perform maintenance procedures as outlined in the Genie Superlift Advantage Service Manual.

Description	Part No.
White Lithium Grease	91670
Cable Replacement Coupler	12402
Disc Brake (One-Speed Winch)	7571
Disc Brake (Two-Speed Winch).....	37061

Recommended Parts

Description	Part No.
Genie Blue Paint, 1 Gallon (3.78 liters)	32150
Genie Blue Paint, 12 Ounce Aerosol (355 ml).....	1484
Genie Gray Paint, 1 Gallon (3.78 liters).....	32151
Genie Gray Paint, 12 Ounce Aerosol (355 ml).....	1268
Pinion Plate (One-Speed Winch).....	7591
Pinion Plate (Two-Speed Winch).....	40122
Ratchet Gear (One-Speed Winch)	6777
Ratchet Gear (Two-Speed Winch).....	40121
Pinion Gear (One-Speed Winch).....	7590
Pinion Gear (Two-Speed Winch).....	80157
Pinion Shaft (One-Speed Winch)	32891
Ratchet Pawl Kit (One-Speed Winch)	40458
Ratchet Pawl Kit (Two-Speed Winch).....	40117
Cable Keeper Kit (One-Speed Winch).....	6190
Primary Shaft Assembly	72264
Cable Assembly (SLA-5 models).....	6443
Cable Assembly (SLA-10 models).....	6444
Cable Assembly (SLA-15 models).....	32903
Cable Assembly (SLA-20 models).....	32904
Cable Assembly (SLA-25 models).....	32905
Pin Assembly with Lanyard	32940
Roller Bolt, 1/2-13 x 1.84 inches.....	32475
Nylatron Roller, 1.75 x 0.72 inch.....	32473
Safety Brake Assembly	35101
Safety Brake Tool Assembly.....	33875
Loctite Thread Lock.....	65764
Genie Superlift Cabling Procedure Video.....	52701

Manuals

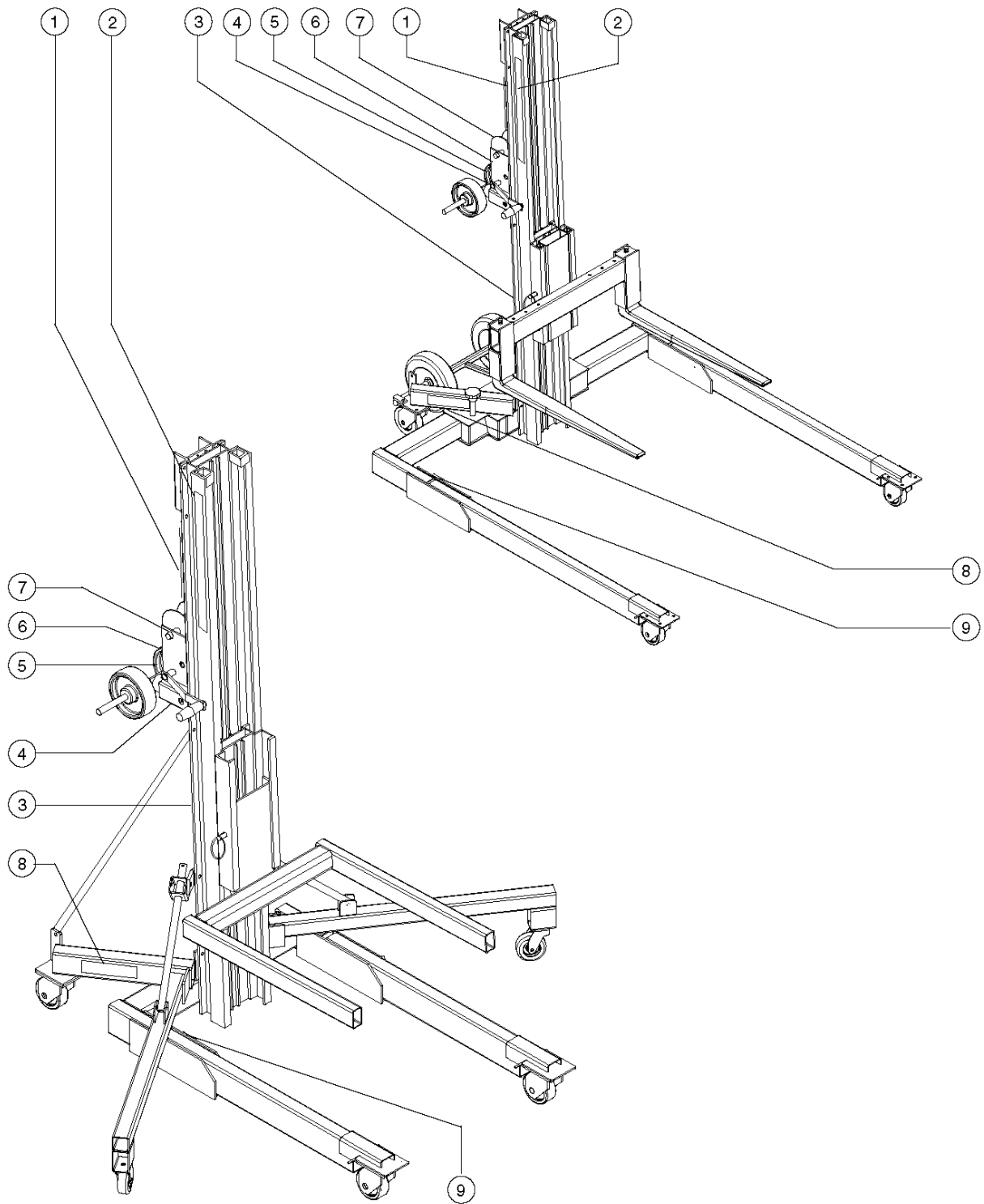
Genie Industries offers the following support documents for these models:

Title	Part No.
EMI Safety Manual	27581
Manual of Responsibilities	
ANSI A92.5	31587



Description	Page
100 Decals	8
101.1 Decals and Paint - View 1	8
101.2 Decals and Paint - View 1	10
101.3 Decals and Paint - View 1	12
102.1 Decals and Paint - View 2	14
200 Base Components	16
201.1 Standard Base Components	16
202.1 Straddle Base Components	20
300 Mast and Winch Components	24
301.1 Number 1 Mast Attached Parts	24
301.2 Number 1 Mast Attached Parts	26
301.3 Number 1 Mast Attached Parts	28
301.4 Number 1 Mast Attached Parts	30
301.5 Number 1 Mast Attached Parts	32
302.1 Mast Components - View 1	34
302.2 Mast Components - View 1	36
302.3 Mast Components - View 1	38
302.4 Mast Components - View 1	40
303.1 Mast Components - View 2	42
303.2 Mast Components - View 2	44
304.1 Mast Components - Pulleys and Cable (1994)	46
304.2 Mast Components - Pulleys and Cable (1995 through 2001)	50
304.3 Mast Components - Pulleys and Cable (from 2002)	54
305.1 Single Speed Winch	58
305.2 Single Speed Winch	60
306.1 Two Speed Winch	62
306.3 Two Speed Winch	66
400 Accessories	70
401.1 Load Handling Attachments - Forks	70
401.2 Load Handling Attachments - Forks	72
402.1 Load Handling Attachments - Boom, Pipe Cradle and Load Platform	74
402.2 Load Handling Attachments - Boom, Pipe Cradle and Load Platform	76
403.1 Load Handling Attachment - Vertical Barrel Stacker	78
403.2 Load Handling Attachment - Vertical Barrel Stacker	80
404.1 Load Handling Attachment - Rotating Barrel Handler	82
404.2 Load Handling Attachment - Rotating Barrel Handler	86
Part Number Index	90

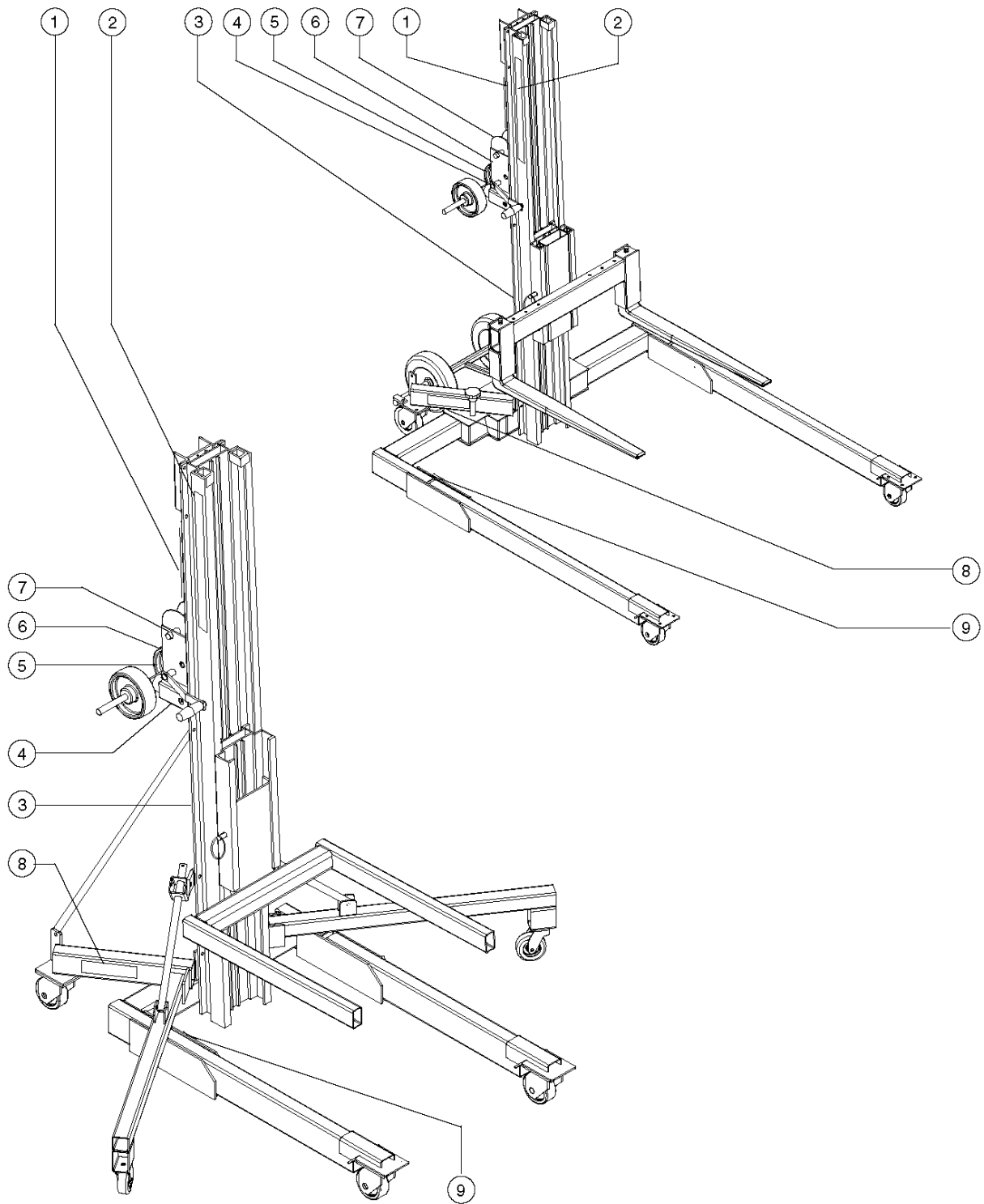
101.1 Decals and Paint - View 1



Item	Part No.	Description	Qty.
	32150GT	PAINT, WET, GENIE BLUE (1 GL)**	
	1484GT	PAINT, AEROSOL, BRIGHT BLUE***	
1	32686GT	DECAL,OPERATING INSTRUCT. SLA	1
2	32688GT	DECAL,COSMETIC,"SUPERLIFT"	2
3	31072GT	DECAL,LABEL,OPER.MAN.STORAGE	1
4	32939GT	DECAL,CRUSHING HAZ/BRAKE LOCK	1
5	32770GT	DECAL,2 SPD.WINCH**	1
6	32938GT	DECAL,LABEL,WINCH ONLY	1
7	32885GT	DECAL,SILENT WINCH	1
8	32689GT	DECAL,MODEL HEIGHT SL5	2
		Model Height, SL-5	
8	32690GT	DECAL,MODEL HEIGHT SL10	2
		Model Height, SL-10	
8	32691GT	DECAL,MODEL HEIGHT SL15	2
		Model Height, SL-15	
8	32692GT	DECAL,MODEL HEIGHT SL20	2
		Model Height, SL-20	
8	32693GT	DECAL,MODEL HEIGHT SL25	2
		Model Height, SL-25	
9	6724GT	DECAL,SERIAL# & MODEL# ***	1
		Serial numbers from 101 to 3263	
9	33523GT	SERIAL NUMBER PLATE,SLA	1
		Serial numbers from 3264 to 999999	



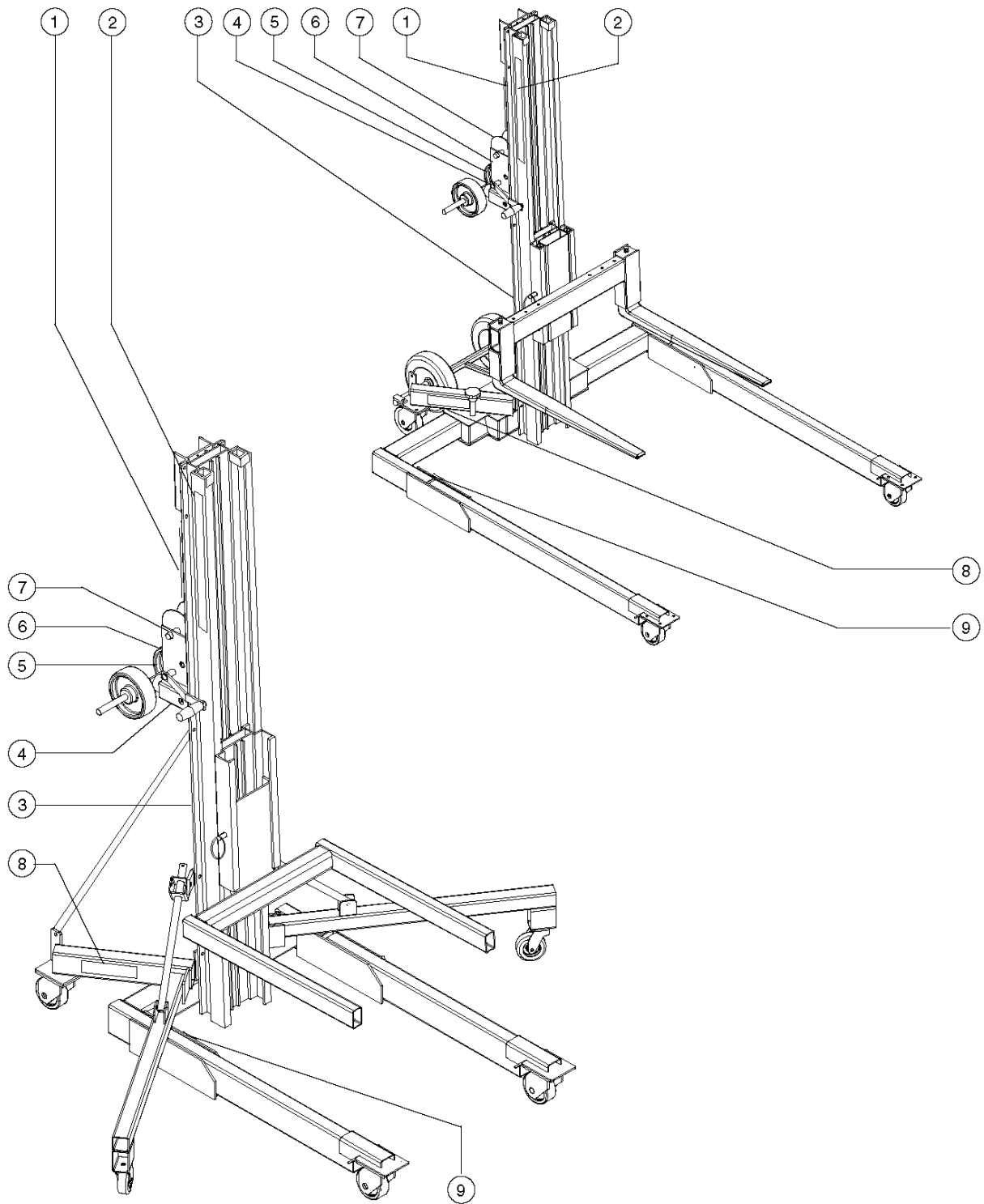
101.2 Decals and Paint - View 1



Item	Part No.	Description	Qty.
	32150GT	PAINT, WET, GENIE BLUE (1 GL)**	
	1484GT	PAINT, AEROSOL, BRIGHT BLUE***	
1	32686GT	DECAL,OPERATING INSTRUCT. SLA	1
2	32688GT	DECAL,COSMETIC,"SUPERLIFT"	2
3	31072GT	DECAL,LABEL,OPER.MAN.STORAGE	1
4	32939GT	DECAL,CRUSHING HAZ/BRAKE LOCK	1
5	32770GT	DECAL,2 SPD.WINCH**	1
6	32938GT	DECAL,LABEL,WINCH ONLY	1
7	32885GT	DECAL,SILENT WINCH	1
8	32689GT	DECAL,MODEL HEIGHT SL5	2
		Model Height, SL-5	
8	32690GT	DECAL,MODEL HEIGHT SL10	2
		Model Height, SL-10	
8	32691GT	DECAL,MODEL HEIGHT SL15	2
		Model Height, SL-15	
8	32692GT	DECAL,MODEL HEIGHT SL20	2
		Model Height, SL-20	
8	32693GT	DECAL,MODEL HEIGHT SL25	2
		Model Height, SL-25	
9	33523GT	SERIAL NUMBER PLATE,SLA Serial numbers from 5594-3264 to 5501-15094 and from SLA02-15095 to SLA03-20337 ..	1



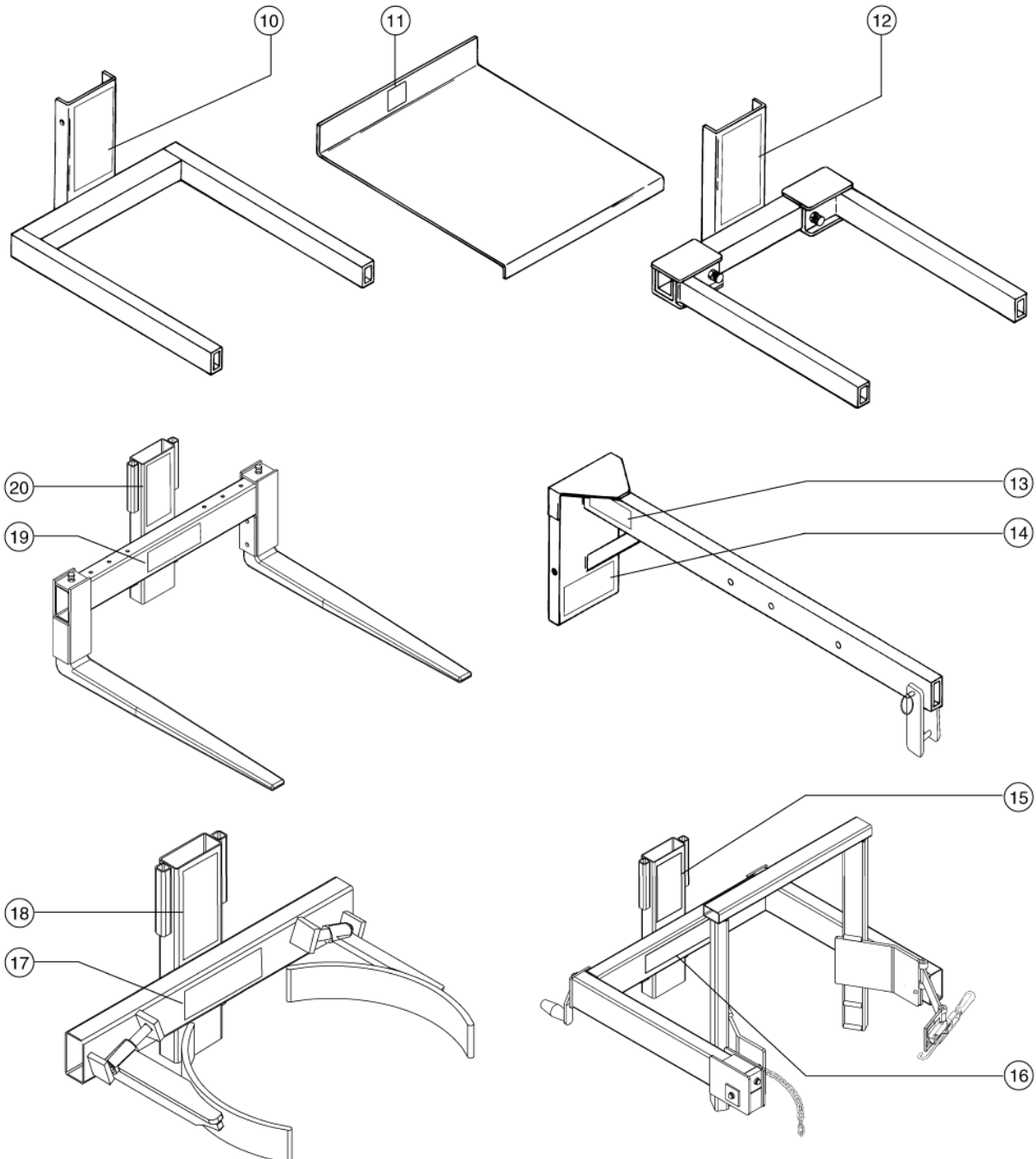
101.3 Decals and Paint - View 1



Item	Part No.	Description	Qty.
	32150GT	PAINT, WET, GENIE BLUE (1 GL)**	
	1484GT	PAINT, AEROSOL, BRIGHT BLUE***	
1	32686GT	DECAL,OPERATING INSTRUCT. SLA	1
2	32688GT	DECAL,COSMETIC,"SUPERLIFT"	2
3	31072GT	DECAL,LABEL,OPER.MAN.STORAGE	1
4	32939GT	DECAL,CRUSHING HAZ/BRAKE LOCK	1
5	32770GT	DECAL,2 SPD.WINCH**	1
6	32938GT	DECAL,LABEL,WINCH ONLY	1
7	32885GT	DECAL,SILENT WINCH	1
8	32689GT	DECAL,MODEL HEIGHT SL5	2
		Model Height, SL-5	
8	32690GT	DECAL,MODEL HEIGHT SL10	2
		Model Height, SL-10	
8	32691GT	DECAL,MODEL HEIGHT SL15	2
		Model Height, SL-15	
8	32692GT	DECAL,MODEL HEIGHT SL20	2
		Model Height, SL-20	
8	32693GT	DECAL,MODEL HEIGHT SL25	2
		Model Height, SL-25	
9	33523GT	SERIAL NUMBER PLATE,SLA	1
		Serial numbers from 5594-3264 to 5501-15094 and from SLA02-15095 to SLA03-20337	
9	80939GT	SERIAL # LABEL,MAT LIFT & SS**	1
		Serial numbers from SLA03-20338	



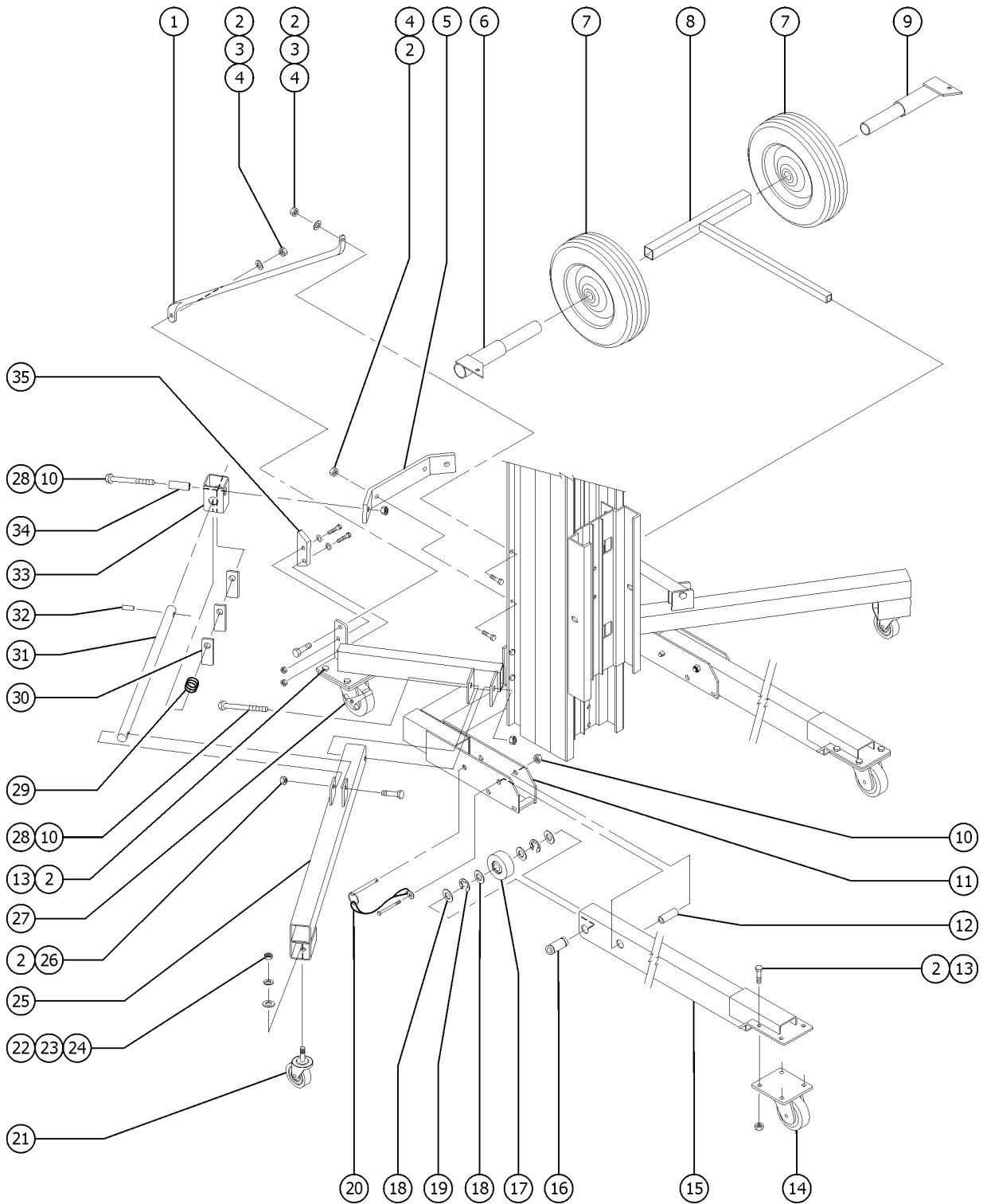
102.1 Decals and Paint - View 2



<i>Item</i>	<i>Part No.</i>	<i>Description</i>	<i>Qty.</i>
10	32687GT	DECAL,WARNING STD.FORK SAFETY	1
11	32775GT	DECAL,WARNING,FALL HAZARD	1
12	32714GT	DECAL,WARNING ADJ FORK SETUP	1
13	32716GT	DECAL,NOTICE BOOM SETUP	2
14	32717GT	DECAL,WARNING BOOM SAFETY	1
15	32773GT	DECAL,WARNING TILT/ROTATE SAFE	1
16	32774GT	DECAL,NOTICE ROT.BARREL SETUP	1
17	32772GT	DECAL,NOTICE VBS SETUP	1
18	32771GT	DECAL,VERT BARREL STKR SAFETY	1
19	32715GT	DECAL,NOTICE FLAT FORK SETUP	1
19A	32715GRGT	DECAL,NOTICE FLAT FORK SETUP (GERMAN)	
19B	32715SPGT	DECAL,NOTICE FLAT FORK SETUP (SPANISH)	
20	32718GT	DECAL,WARNING FLAT FORK SAFETY	1



201.1 Standard Base Components

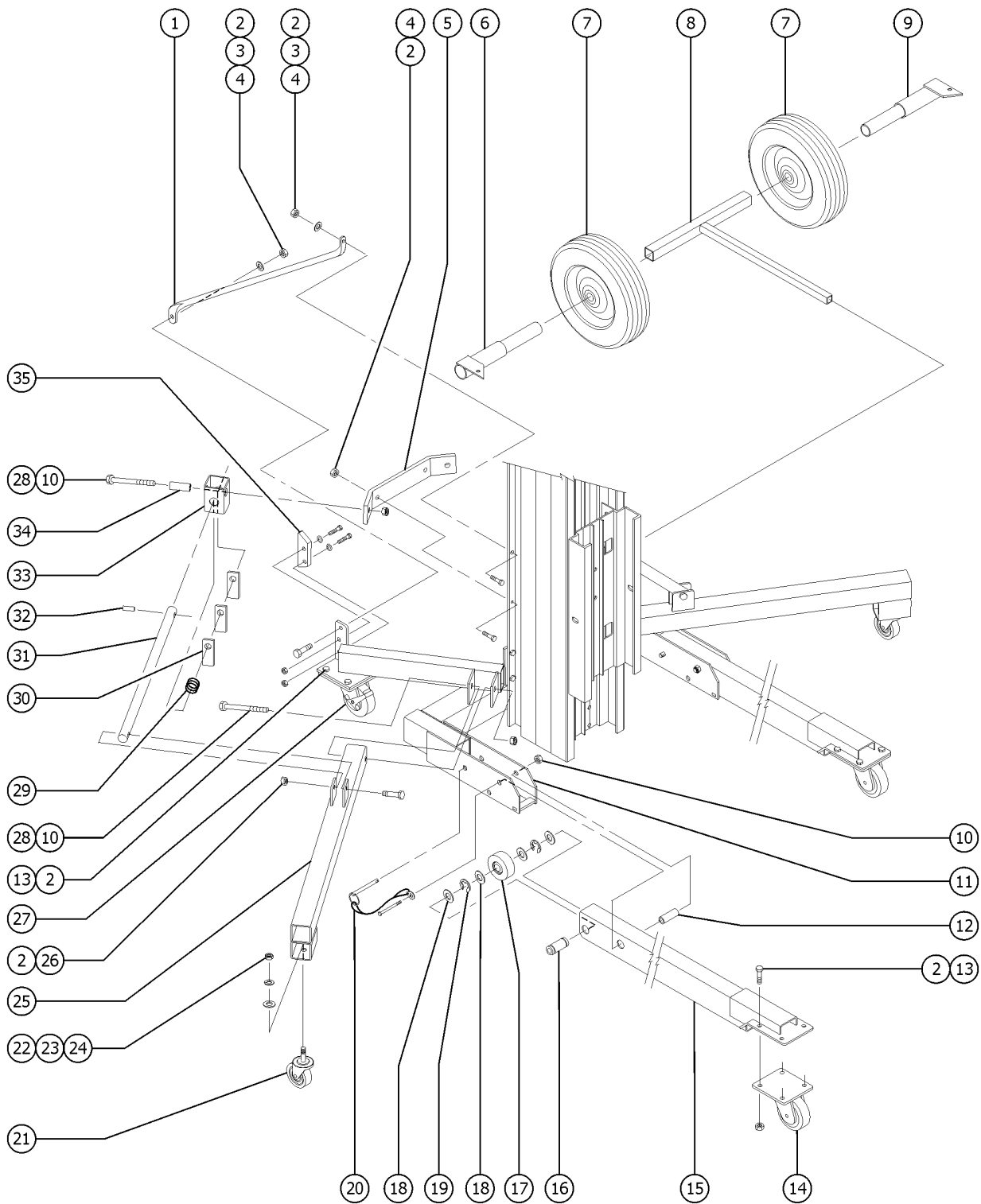


201.1 Standard Base Components

Item	Part No.	Description	Qty.
	80171-SGT	BASE ASSY W/DECALS,STD, SLA-5	
	80172-SGT	BASE ASSY W/DECALS,STD, SLA-10	
	80173-SGT	BASE ASSY W/DECALS, STD,SLA-15	
	80174-SGT	BASE ASSY W/DECALS, STS,SLA-20	
	80175-SGT	BASE ASSY W/DECALS, STD,SLA-25	
1	32883GT	STRUT,LH,SL2	1
2	4828GT	NUT,NYLOCK,3/8-16	24
3	6097GT	WASHER,FLAT,USS,3/8",Y	4
4	8516GT	SCREW, HCC, 3/8-16 X 1.50	10
5	32502PGT	BRACKET, STAB.MOUNT,"BLUE"	1
6	32486GT	AXLE WELDMENT R.H.	1
7	35064GT	WHEEL,SOLID RUBBER,10X.75X2.75	2
8	32562GT	SL REAR WHEEL ASSY	
9	32884GT	STRUT,RH,SL2	1
		shown	
9	33047GT	AXLE WELDMENT L.H.	1
10	6086GT	NUT,LP NYLOCK,1/2-13	6
11	32489-SGT	WELDMENT,STD,BASE SLA	1
12A	35848GT	SL REAR TRANSPORT ASSY*****	1
12B	32509GT	PIVOT TUBE SL2 LEG	2
13	6175GT	SCREW,HHC,3/8-16 X 1	8
14	57736GT	CASTER,PL,SW, 4 X 2	2
15A	32879GT	WELDMENT,LEG,SL5/10	2
		SL-5 and SL-10 models	
15B	32880GT	WELDMENT,LEG,SL15	2
		SL-15 models	
15C	32881GT	WELDMENT,LEG,SL20/25	2
		SL-20 and SL-25 models	
16	32524GT	AXLE TUBE, SL2 LEG	2
17	32495GT	WHEEL, 3.5 IN. SL2 LEG	2
		axle tube, shim washers and eclips not included; order sepearately	
18	30748GT	WASHER,SHIM,1.01 X 1.63 X.062	8
19	32499GT	E CLIP,.875 IN.SL LEG	4



201.1 Standard Base Components

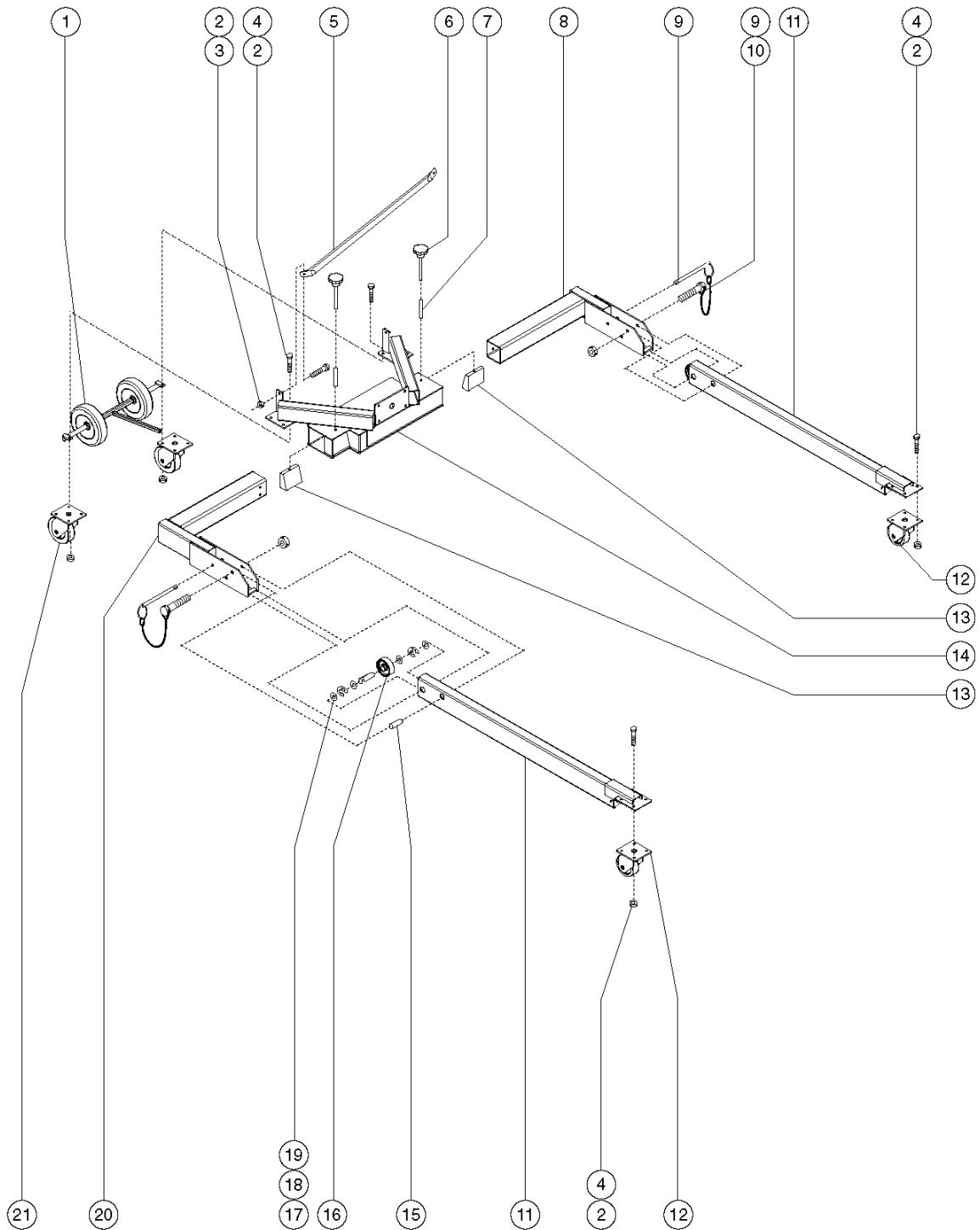


201.1 Standard Base Components

<i>Item</i>	<i>Part No.</i>	<i>Description</i>	<i>Qty.</i>
20A	100309GT	ASSY,PIN & LANYARD***	2
20A-	80679GT	PIN,BALL RET.-.5 X 2.7	2
20A-	2163GT	CABLE,1/16INCH,7X7 STRANDS	2
20A-	2238GT	CABLE OVAL SLEEVE, 1/16	2
20B	33298GT	BOLT,LEG PIVOT 1/2-13 X 3.0	2
21	57747GT	CASTER,POST,SW3.5X1.25M12X1.75	2
22	23270GT	NUT,HEX,M12,LP,PLATED	2
23	6033GT	WASHER,LOCK,0.5"	2
24	6035GT	WASHER,FLAT,USS,5/8",Y	2
25	32882GT	WELD.,STABILIZER LEG SL2 BLUE	2
26	5224GT	SCREW,HHC,3/8-16 X 2	2
27	57740GT	CASTER,PL,SW LOCK, SB, 5 X 2	2
28	10598GT	SCREW,HHC,1/2-13 X 3	6
29	32519GT	SPRING,STABILIZER LATCH SL2	2
30	32897GT	KIT,LATCH PLATE includes 1 each index number 31	2
31	58094GT	STABILIZER STRUT,ASSY.	2
32	11337GT	PIN,ROLL,.25 X 1.25	2
33	32578GT	CLAMP TUBE,STABILIZER-"BLUE"	2
34	32576GT	PIVOT TUBE,STABILIZER	2
35	33670GT	SKID PAD	2



202.1 Straddle Base Components

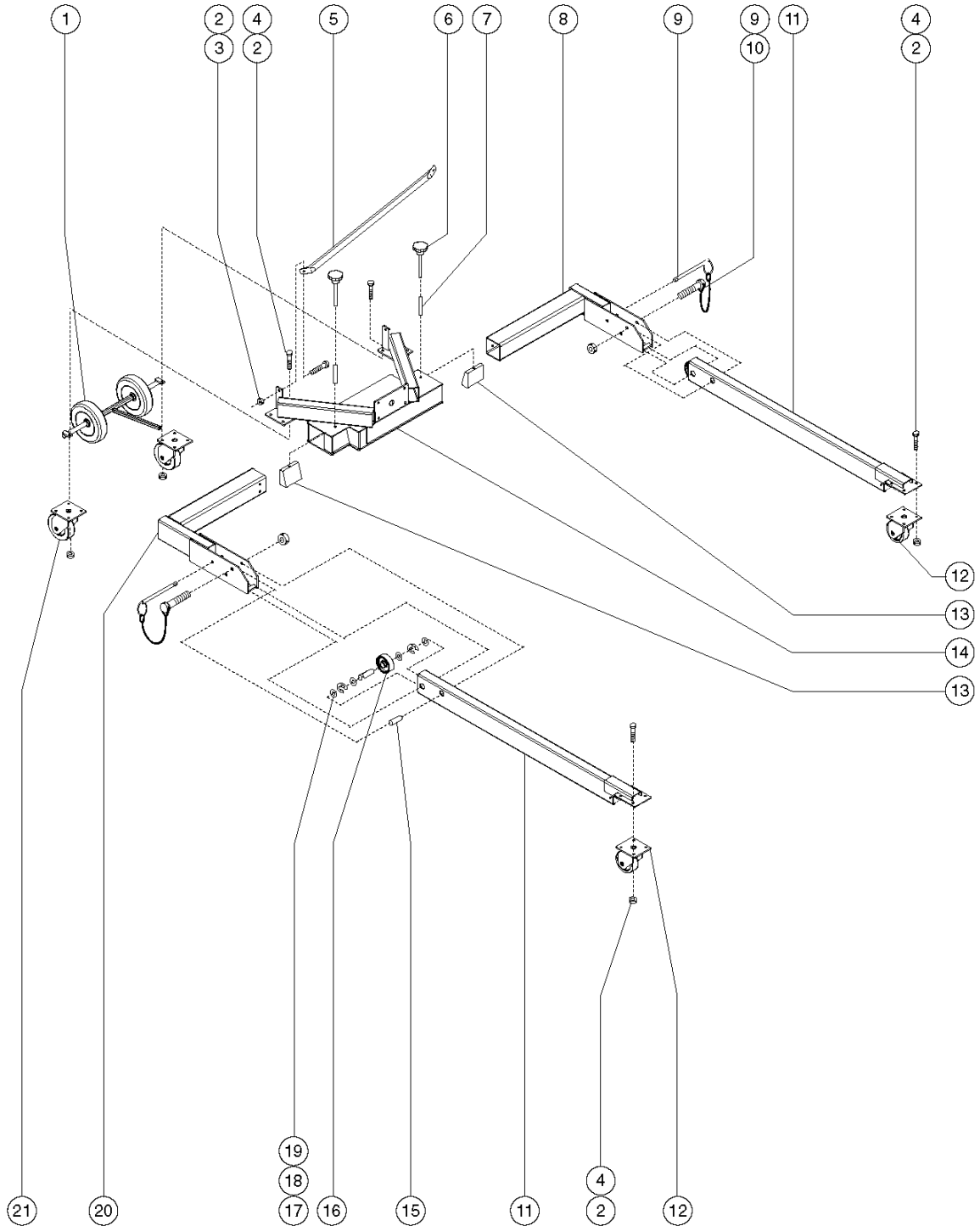


202.1 Straddle Base Components

Item	Part No.	Description	Qty.
1	32562GT	SL REAR WHEEL ASSY	
1	35848GT	SL REAR TRANSPORT ASSY*****	1
1	32529GT	WELDMENT,TRANSPORT WHEELS	1
1	32486GT	AXLE WELDMENT R.H.	1
1	33047GT	AXLE WELDMENT L.H.	1
1	35064GT	WHEEL,SOLID RUBBER,10X.75X2.75	1
2	4828GT	NUT,NYLOCK,3/8-16	20
3	6175GT	SCREW,HHC,3/8-16 X 1	8
4	6019GT	SCREW,HHC,3/8-16 X 1.25 GRD 5	12
5	32883GT	STRUT,LH,SL2	1
5	32884GT	STRUT,RH,SL2	1
		shown	
6	33148GT	KNOB,STRADDLE BASE SL2	2
7	33251GT	SPACER-STRADDLE BASE-3"	2
8	32532GT	WELDMENT,ARM STRADDLE LEFT	1
9	100309GT	ASSY,PIN & LANYARD***	2
9	100309GT	ASSY,PIN & LANYARD***	2
9	80679GT	PIN,BALL RET.-.5 X 2.7	2
9	2163GT	CABLE,1/16INCH,7X7 STRANDS	2
9	2238GT	CABLE OVAL SLEEVE, 1/16	2
9	33298GT	BOLT,LEG PIVOT 1/2-13 X 3.0	2
10	6086GT	NUT,LP NYLOCK,1/2-13	2
11	32879GT	WELDMENT,LEG,SL5/10	2
		SL-5 and SL-10 models	
11	32880GT	WELDMENT,LEG,SL15	
11	32881GT	WELDMENT,LEG,SL20/25	2
		SL-20 and SL-25 models	
12	57736GT	CASTER,PL,SW, 4 X 2	2
13	40255GT	WEDGE, MACHINED	2
14	32527GT	WELDMENT,STRADDLE BASE	1
15	32509GT	PIVOT TUBE SL2 LEG	2



202.1 Straddle Base Components

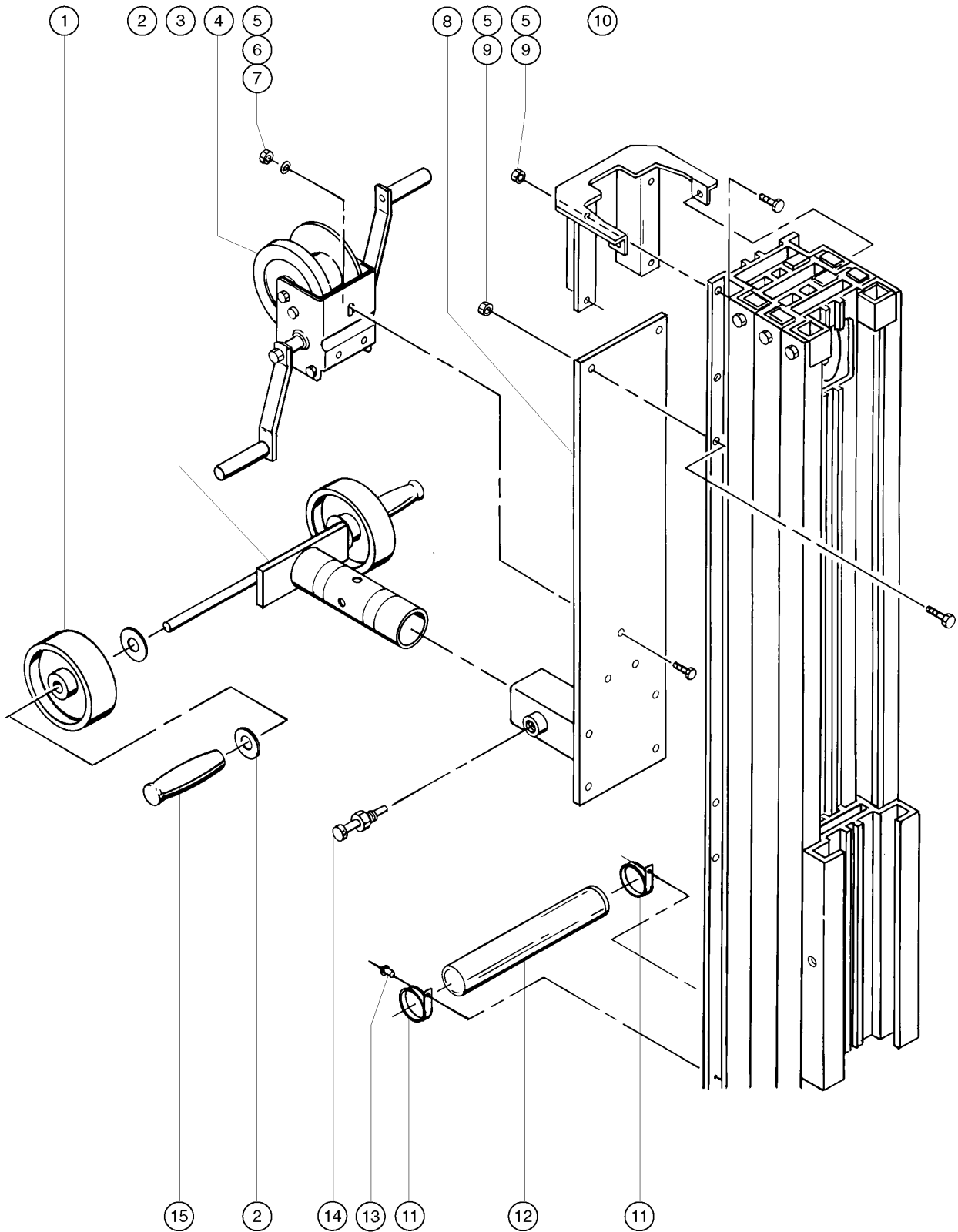


202.1 Straddle Base Components

<i>Item</i>	<i>Part No.</i>	<i>Description</i>	<i>Qty.</i>
16	32495GT	WHEEL, 3.5 IN. SL2 LEG	2
17	32499GT	E CLIP, .875 IN. SL LEG	4
18	30748GT	WASHER, SHIM, 1.01 X 1.63 X .062	8
19	32524GT	AXLE TUBE, SL2 LEG	2
20	32531GT	WELDMENT, ARM STRADDLE RIGHT	1
21	57740GT	CASTER, PL, SW LOCK, SB, 5 X 2	2



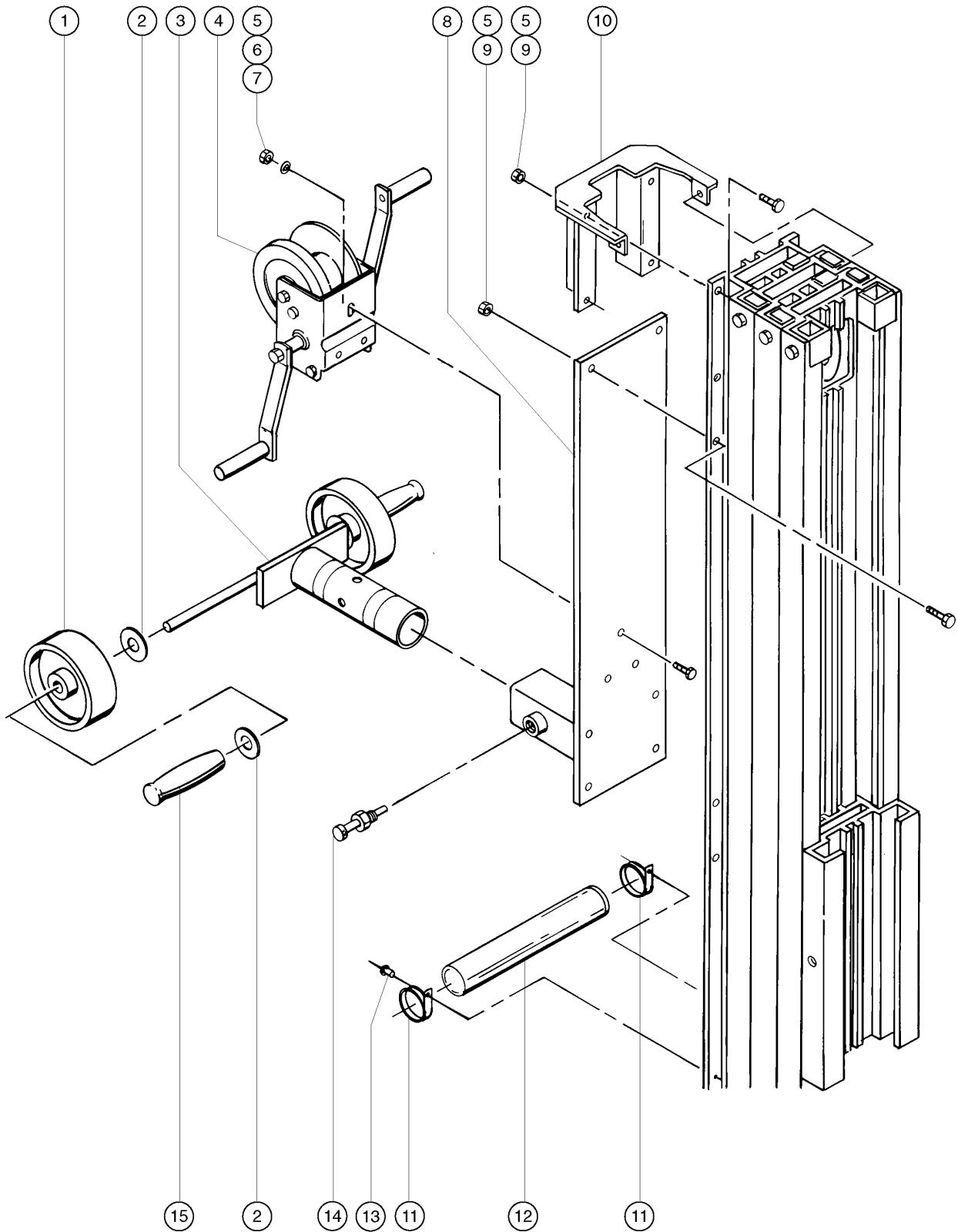
301.1 Number 1 Mast Attached Parts



Item	Part No.	Description	Qty.
1	57788GT	WHEEL,POLY,6X2, 3/4**	2
1	37202GT	BUSHING,3/4ODX2.44LGX.5ID	
2	6564GT	WASHER, SHIM,.765 X 1.312 X .093	4
3	32935GT	LOADING WHEEL WELDM.W/TAPE	1
		wheels not included	
3	32302GT	TAPE,UHMW .75 X .010 BULK	24
4		Ref. Winch Assembly	
		(refer to 305.1 or 306.1)	
5	4828GT	NUT,NYLOCK,3/8-16	7
6	6638GT	WASHER, FLAT, USS, 1/4"Y	3
7	6175GT	SCREW,HHC,3/8-16 X 1	3
8	32888GT	WINCH PLATE W/DECALS,SL2**OLD	1
		includes decal	
9	6019GT	SCREW,HHC,3/8-16 X 1.25 GRD 5	4
10	32482GT	WELDMENT PULLEY-SEE SER#BREAK	1
11	6653GT	CLAMP, 1.88, #30 X 1/4, RUB CUSH	2
12	6600GT	INSTRUCT.TUBE W/CAPS-1.75 X 12	1
12	33499GT	MANUAL,OPER,SUPERLIFT,ADVANTGE	1
13	7265GT	RIVET,STEEL,P, .25 X .375	2
14	32375GT	PIN,LOCK,LONG***	1
15	235184GT	GRIP,HANDLE	2



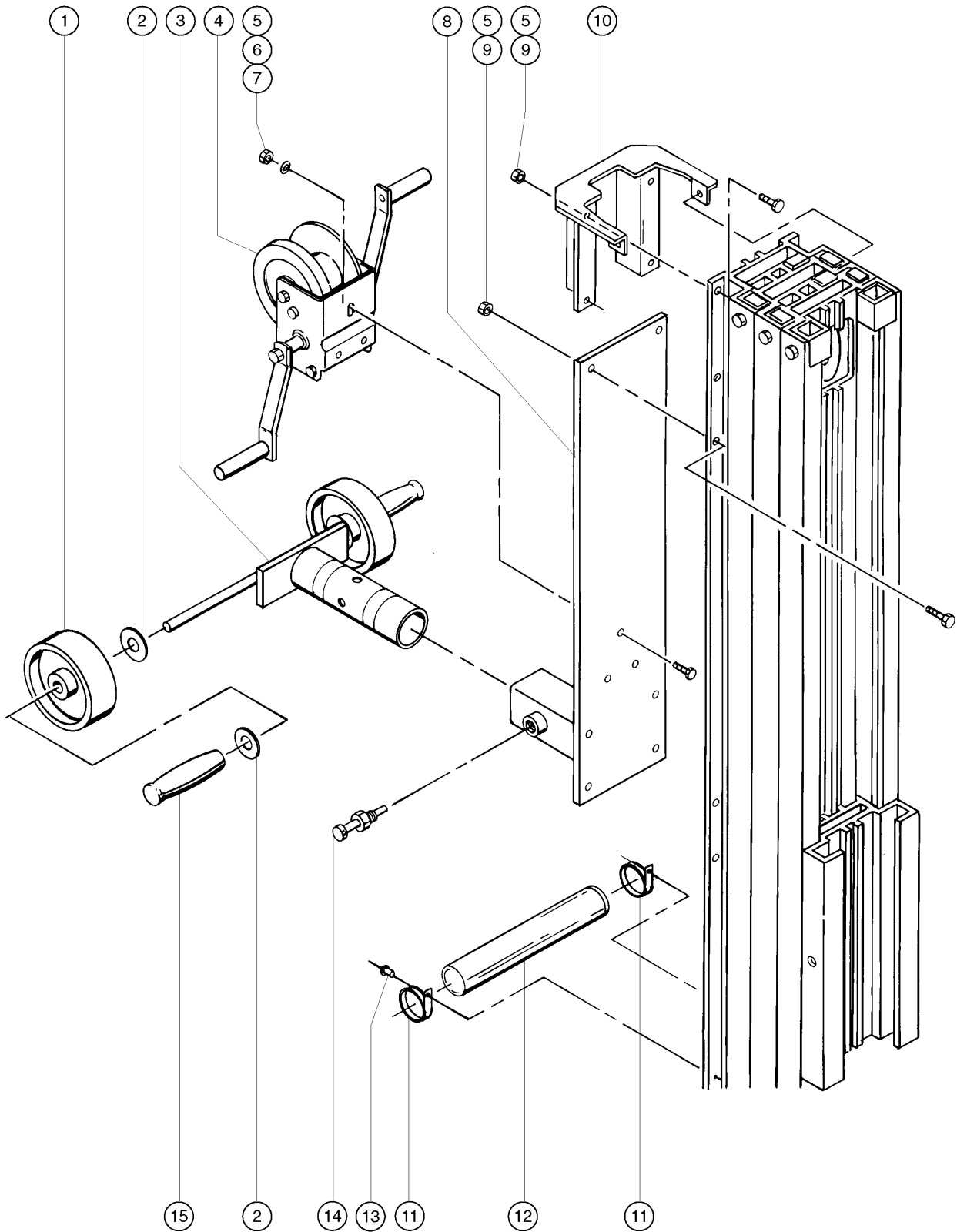
301.2 Number 1 Mast Attached Parts



Item	Part No.	Description	Qty.
1	57788GT	WHEEL,POLY,6X2, 3/4**	2
1	37202GT	BUSHING,3/4ODX2.44LGX.5ID	
2	6564GT	WASHER, SHIM,.765 X 1.312 X .093	4
3	32935GT	LOADING WHEEL WELDM.W/TAPE Serial numbers from 109 to 3793 (wheels not included)	1
3	32302GT	TAPE,UHMW .75 X .010 BULK	24
3	35819GT	LOADING WHEEL WELD.W/DECAL SL2 Serial numbers from 3794 to 999999 (includes decal)	
4		Ref. Winch Assembly (refer to 305.1 or 306.1)	
5	4828GT	NUT,NYLOCK,3/8-16	7
6	6638GT	WASHER, FLAT, USS, 1/4"Y	3
7	6175GT	SCREW,HHC,3/8-16 X 1	3
8	32888GT	WINCH PLATE W/DECALS,SL2**OLD Serial numbers from 109 to 3793 (includes decal)	1
8	33539GT	WINCH PLATE W/DECAL ST Serial numbers from 3794 to 999999 (includes decal)	1
8	80162GT	WINCH MOUNT W/DECAL (SLA)	1
8	80162GT	WINCH MOUNT W/DECAL (SLA) (includes decal)	1
9	6019GT	SCREW,HHC,3/8-16 X 1.25 GRD 5	4
10	32482GT	WELDMENT PULLEY-SEE SER#BREAK	1
11	6653GT	CLAMP, 1.88, #30 X 1/4, RUB CUSH	2
12	6600GT	INSTRUCT.TUBE W/CAPS-1.75 X 12	1
12	33499GT	MANUAL,OPER,SUPERLIFT,ADVANTGE	1
13	7265GT	RIVET,STEEL,P, .25 X .375	2
14	32375GT	PIN,LOCK,LONG***	1
15	235184GT	GRIP,HANDLE	2



301.3 Number 1 Mast Attached Parts

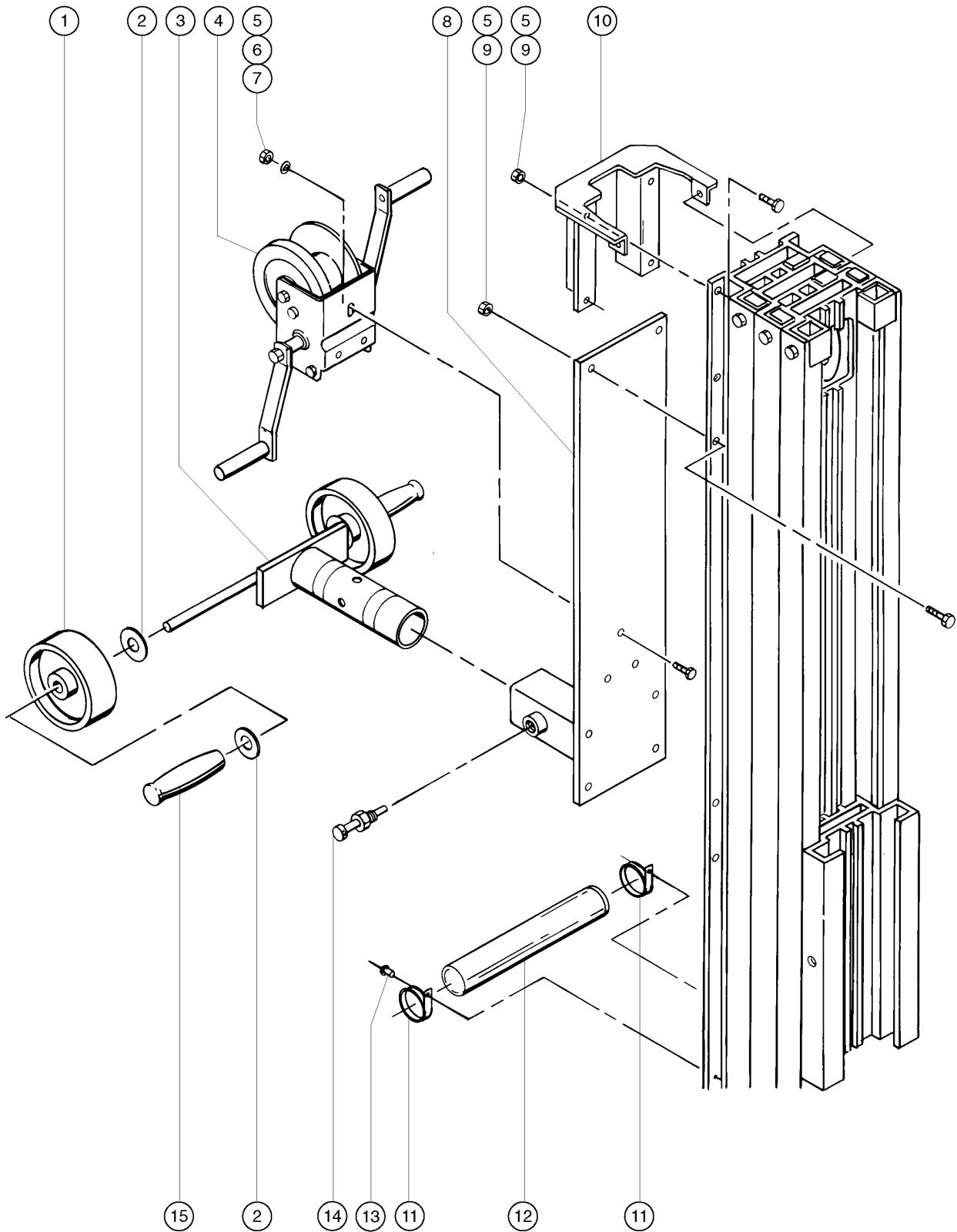


301.3 Number 1 Mast Attached Parts

Item	Part No.	Description	Qty.
1	57788GT	WHEEL,POLY,6X2, 3/4**	2
1	37202GT	BUSHING,3/4ODX2.44LGX.5ID	
2	6564GT	WASHER, SHIM,.765 X 1.312 X .093	4
3	35819GT	LOADING WHEEL WELD.W/DECAL SL2	
		includes decal	
4		Ref. Winch Assembly	
		(refer to 305.1 or 306.1)	
5	4828GT	NUT,NYLOCK,3/8-16	7
6	6638GT	WASHER, FLAT, USS, 1/4"Y	3
7	6175GT	SCREW,HHC,3/8-16 X 1	3
8	33539GT	WINCH PLATE W/DECAL ST	1
		includes decal	
9	6019GT	SCREW,HHC,3/8-16 X 1.25 GRD 5	4
10	32482GT	WELDMENT PULLEY-SEE SER#BREAK	1
11	6653GT	CLAMP, 1.88, #30 X 1/4, RUB CUSH	2
12	6600GT	INSTRUCT.TUBE W/CAPS-1.75 X 12	1
12	33499GT	MANUAL,OPER,SUPERLIFT,ADVANTGE	1
13	7265GT	RIVET,STEEL,P, .25 X .375	2
14	32375GT	PIN,LOCK,LONG***	1
15	235184GT	GRIP,HANDLE	2



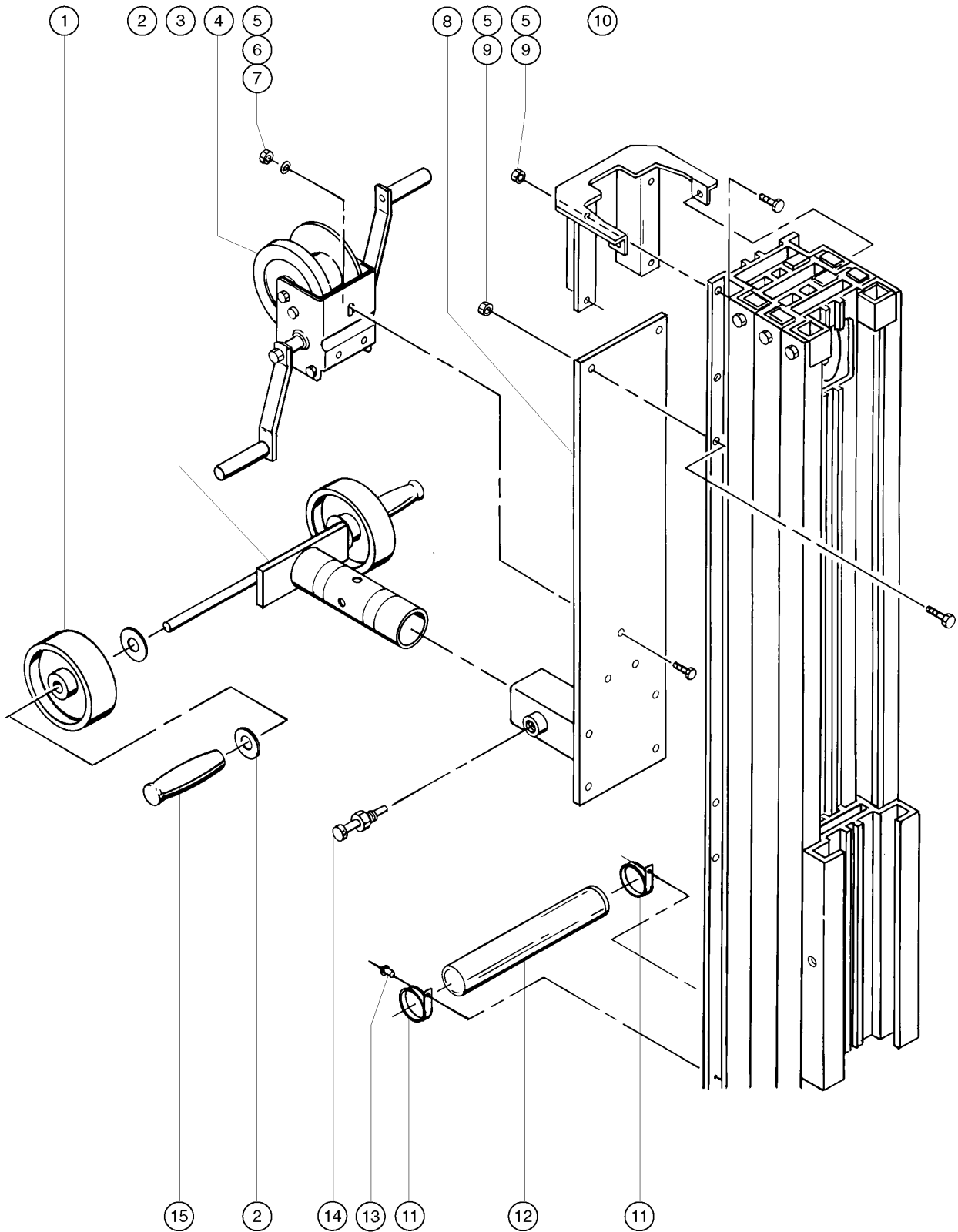
301.4 Number 1 Mast Attached Parts



Item	Part No.	Description	Qty.
1	57788GT	WHEEL,POLY,6X2, 3/4**	2
1	37202GT	BUSHING,3/4ODX2.44LGX.5ID	
2	6564GT	WASHER, SHIM,.765 X 1.312 X .093	4
3	35819GT	LOADING WHEEL WELD.W/DECAL SL2	
		includes decal	
4		Ref. Winch Assembly	
		(refer to 305.1 or 306.1)	
5	4828GT	NUT,NYLOCK,3/8-16	7
6	6638GT	WASHER, FLAT, USS, 1/4"Y	3
7	6175GT	SCREW,HHC,3/8-16 X 1	3
8	33539GT	WINCH PLATE W/DECAL ST	1
		Serial numbers from 10836 to 14370 (includes decal)	
8	80162GT	WINCH MOUNT W/DECAL (SLA)	1
		Serial numbers from 14371 to 15094 (includes decal)	
8	80162GT	WINCH MOUNT W/DECAL (SLA)	1
		includes decal	
9	6019GT	SCREW,HHC,3/8-16 X 1.25 GRD 5	4
10	32482GT	WELDMENT PULLEY-SEE SER#BREAK	1
11	6653GT	CLAMP, 1.88, #30 X 1/4, RUB CUSH	2
12	6600GT	INSTRUCT.TUBE W/CAPS-1.75 X 12	1
12	33499GT	MANUAL,OPER,SUPERLIFT,ADVANTGE	1
13	7265GT	RIVET,STEEL,P, .25 X .375	2
14	32375GT	PIN,LOCK,LONG***	1
15	235184GT	GRIP,HANDLE	2



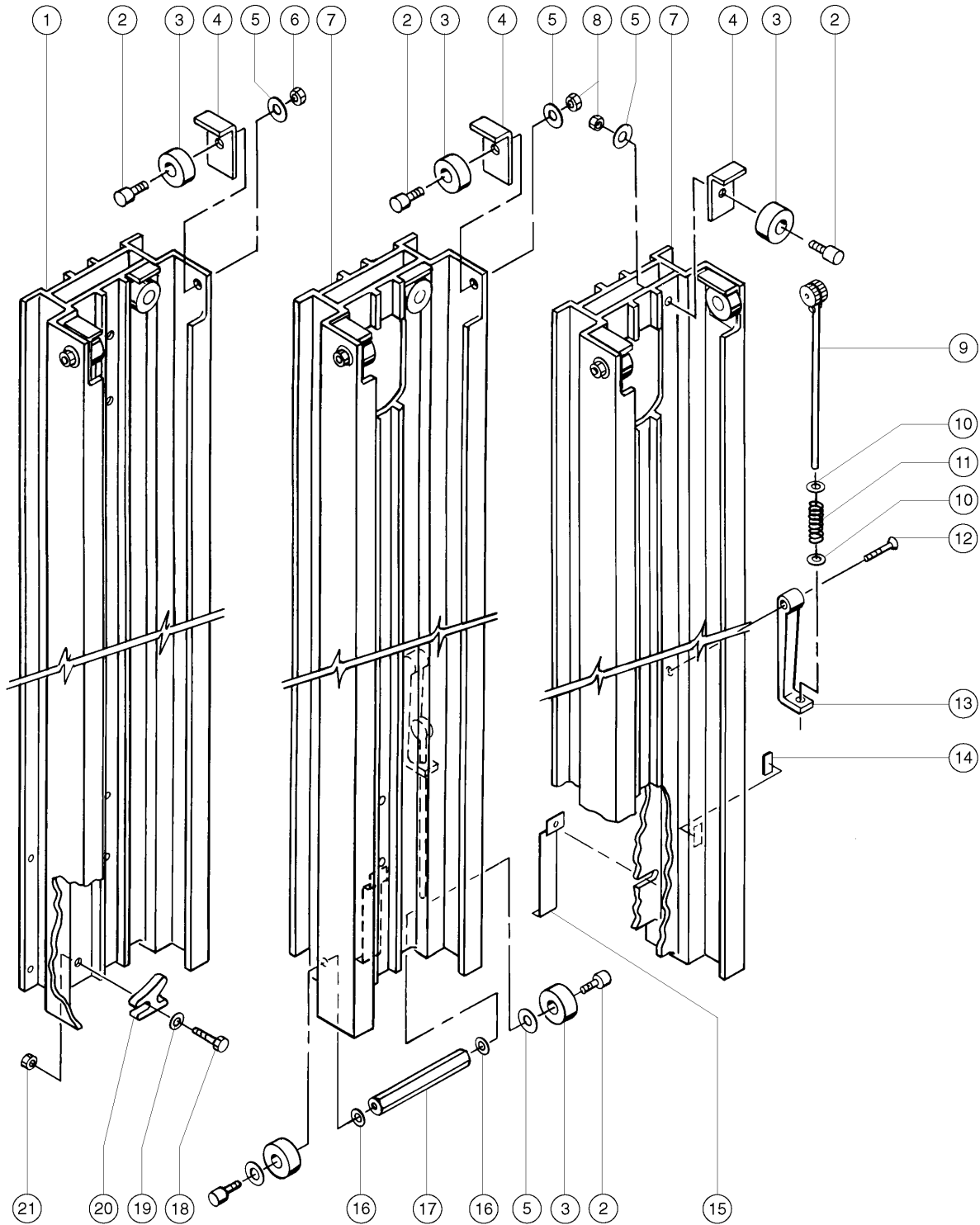
301.5 Number 1 Mast Attached Parts



Item	Part No.	Description	Qty.
1	57788GT	WHEEL,POLY,6X2, 3/4**	2
1	37202GT	BUSHING,3/4ODX2.44LGX.5ID	
2	6564GT	WASHER, SHIM,.765 X 1.312 X .093	4
3	32935GT	LOADING WHEEL WELDM.W/TAPE wheels not included; to SN 5595-03793	1
3	32302GT	TAPE,UHMW .75 X .010 BULK	24
3	35819GT	LOADING WHEEL WELD.W/DECAL SL2 includes decal; from SN 5595-03794	
4		Ref. Winch Assembly (refer to 305.1 or 306.1)	
5	4828GT	NUT,NYLOCK,3/8-16	7
6	6638GT	WASHER, FLAT, USS, 1/4"Y	3
7	6175GT	SCREW,HHC,3/8-16 X 1	3
8	32888GT	WINCH PLATE W/DECALS,SL2**OLD includes decal	1
8	80162GT	WINCH MOUNT W/DECAL (SLA) Serial numbers from SLA02-15095 to SLA04-25258 (includes decal)	1
9	6019GT	SCREW,HHC,3/8-16 X 1.25 GRD 5	4
10	32482GT	WELDMENT PULLEY-SEE SER#BREAK	1
11	6653GT	CLAMP, 1.88, #30 X 1/4, RUB CUSH	2
12	6600GT	INSTRUCT.TUBE W/CAPS-1.75 X 12	1
12	33499GT	MANUAL,OPER,SUPERLIFT,ADVANTGE	1
13	7265GT	RIVET,STEEL,P, .25 X .375	2
14	32375GT	PIN,LOCK,LONG***	1
15	235184GT	GRIP,HANDLE	2



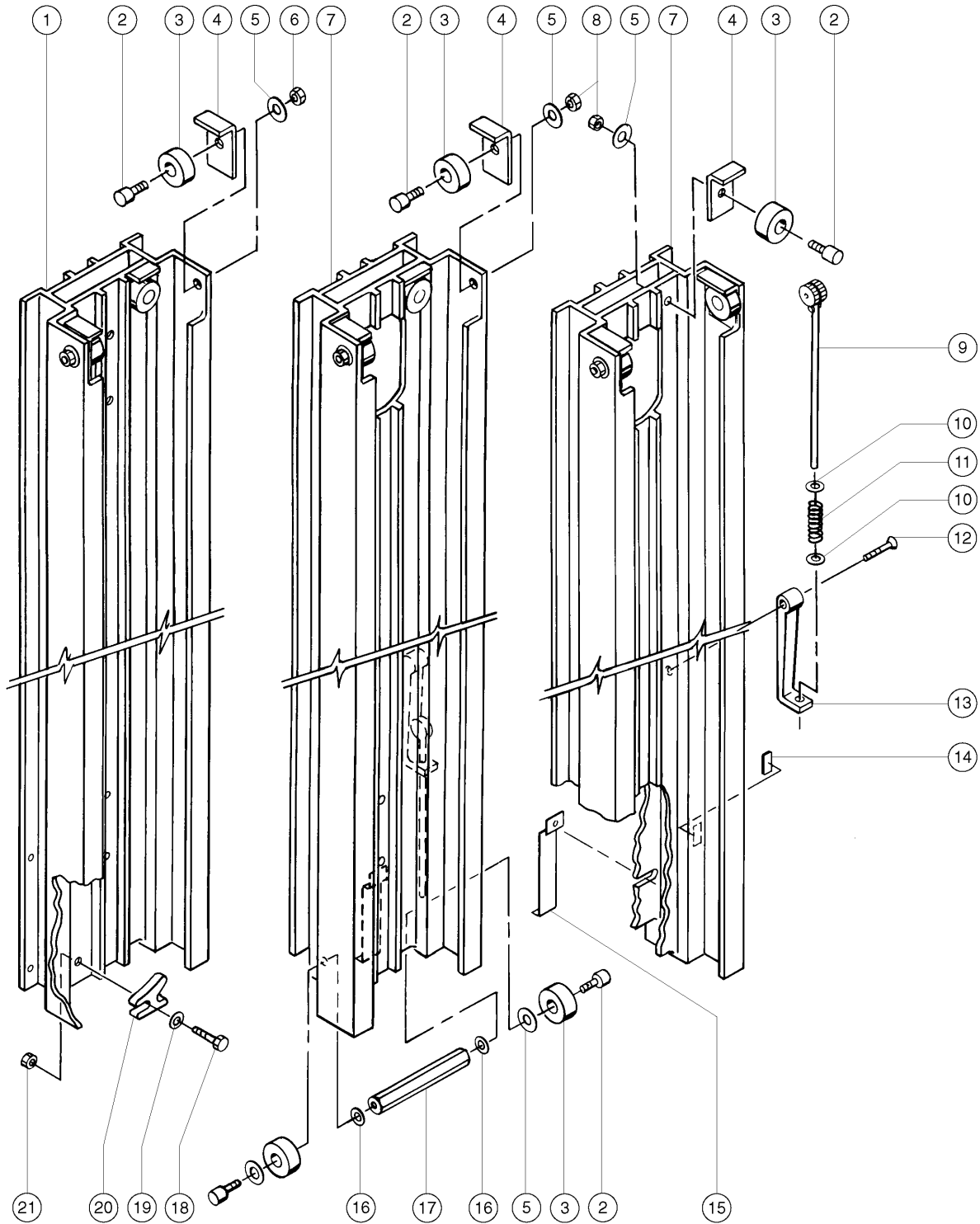
302.1 Mast Components - View 1



Item	Part No.	Description	Qty.
	90337GT	BOE LUBE aluminum dry lubricant	1
1		Ref., COLUMN #1 (refer to 304.1)	
2	32475GT	BOLT-ROLLER,1/2-13X1.84 ZINC	15
3	32473GT	WHEEL,ROLLER,NYLATRON,1.75	15
4	32474GT	GUARD,ROLLER, SL2,	11
5	6095GT	WASHER,FLAT,USS,1/2",Y	15
6	6086GT	NUT,LP NYLOCK,1/2-13	2
7		Ref., COLUMN ASSY #2 THRU #5 (refer to 304.1)	
8	6198GT	NUT, NYLOCK, 1/2-13	13
9	35101GT	SAFETY BRAKE ASSY(SQ.NUT)SL2**	2
10	6638GT	WASHER, FLAT, USS, 1/4"Y	4
11	32481GT	SPRING,SAFETY BRAKE**	2
12	17712GT	SCREW,FHS,3/8-16 X 1.75	2
13	35101GT	SAFETY BRAKE ASSY(SQ.NUT)SL2**	2
14	33252GT	TAPE,UHMW .75 X .060 BULK	3
15	33744GT	HOLD DOWN UPDATE KIT-SLA SLC SL-20 and SL-25 models	2
15	33771GT	HOLD DOWN UPDATE KIT,SL5,10,15 SL-5, SL-10, SL-15	2
16	6052GT	WASHER,SHIM,.5 X .875 X .063	2
17	33811GT	COUPLER BAR ASSEMBLY,SLA&C,ST2 SL-20 and SL-25 models only	1
18	6019GT	SCREW,HHC,3/8-16 X 1.25 GRD 5	3
19	12013GT	SHIM,.375 X .063	3
20	32522GT	DOWN STOP	3
21	4828GT	NUT,NYLOCK,3/8-16	3



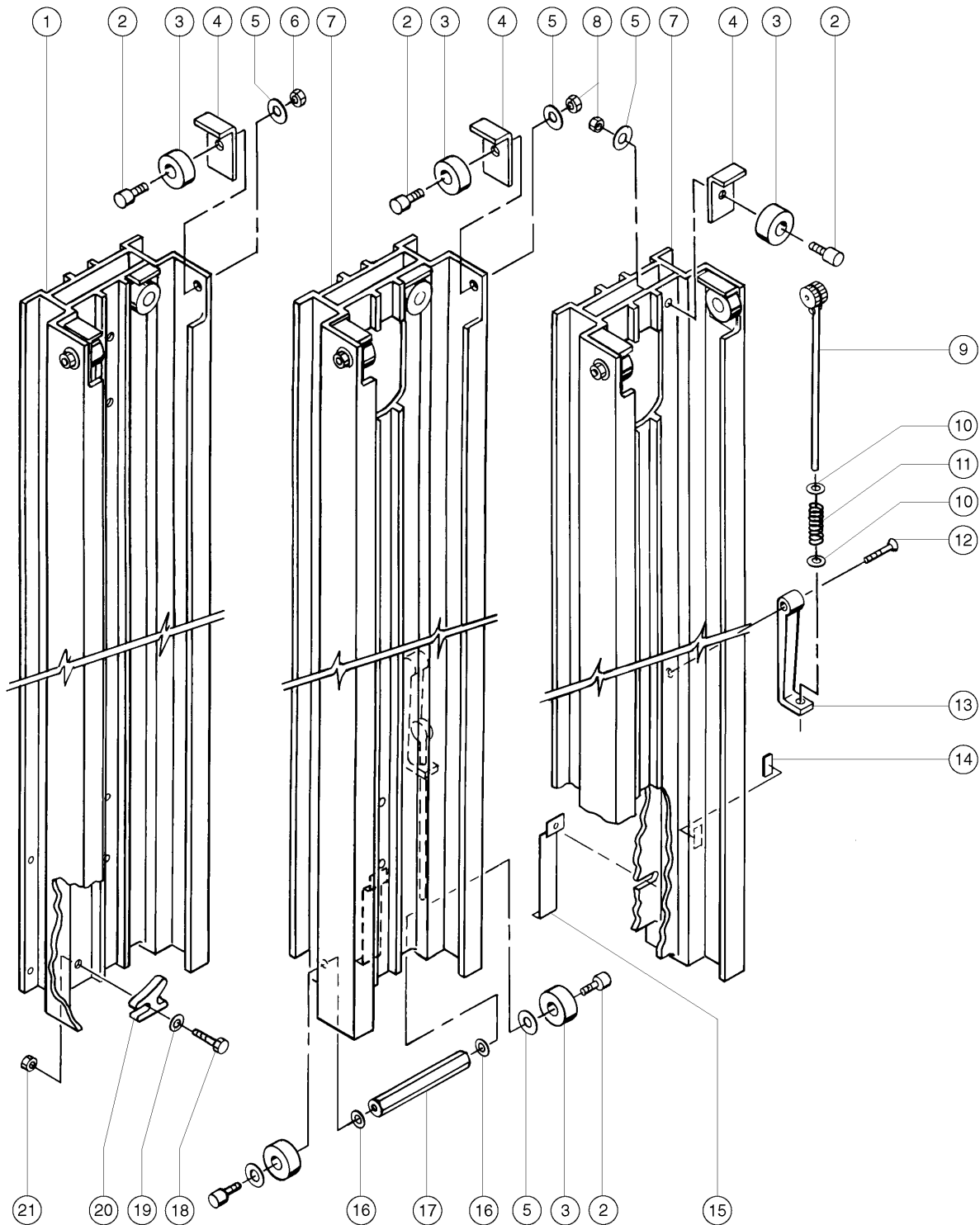
302.2 Mast Components - View 1



Item	Part No.	Description	Qty.
1		Ref., COLUMN #1 (refer to 304.1)	
2	32475GT	BOLT-ROLLER,1/2-13X1.84 ZINC	15
3	32473GT	WHEEL,ROLLER,NYLATRON,1.75	15
4	32474GT	GUARD,ROLLER, SL2,	11
5	6095GT	WASHER,FLAT,USS,1/2",Y	15
6	6086GT	NUT,LP NYLOCK,1/2-13	2
7		Ref., COLUMN ASSY #2 THRU #5 (refer to 304.1)	
8	6198GT	NUT, NYLOCK, 1/2-13	13
9	35101GT	SAFETY BRAKE ASSY(SQ.NUT)SL2**	2
10	6638GT	WASHER, FLAT, USS, 1/4"Y	4
11	32481GT	SPRING,SAFETY BRAKE**	2
12	17712GT	SCREW,FHS,3/8-16 X 1.75	2
13	35101GT	SAFETY BRAKE ASSY(SQ.NUT)SL2**	2
14	33252GT	TAPE,UHMW .75 X .060 BULK	3
15	33744GT	HOLD DOWN UPDATE KIT-SLA SLC SL-20 and SL-25 models	2
15	58095GT	HOLD DOWN KIT W/DECAL SL LONG SL-20 and SL-25	2
15	33771GT	HOLD DOWN UPDATE KIT,SL5,10,15 SL-5, SL-10, SL-15	2
15	58750GT	HOLD DOWN KIT W/DECAL SL SHORT SL-5, SL-10, SL-15	2
16	6052GT	WASHER,SHIM,.5 X .875 X .063	2
17	33811GT	COUPLER BAR ASSEMBLY,SLA&C,ST2 SL-20 and SL-25 models only	1
18	6019GT	SCREW,HHC,3/8-16 X 1.25 GRD 5	3
19	12013GT	SHIM,.375 X .063	3
20	32522GT	DOWN STOP	3
21	4828GT	NUT,NYLOCK,3/8-16	3



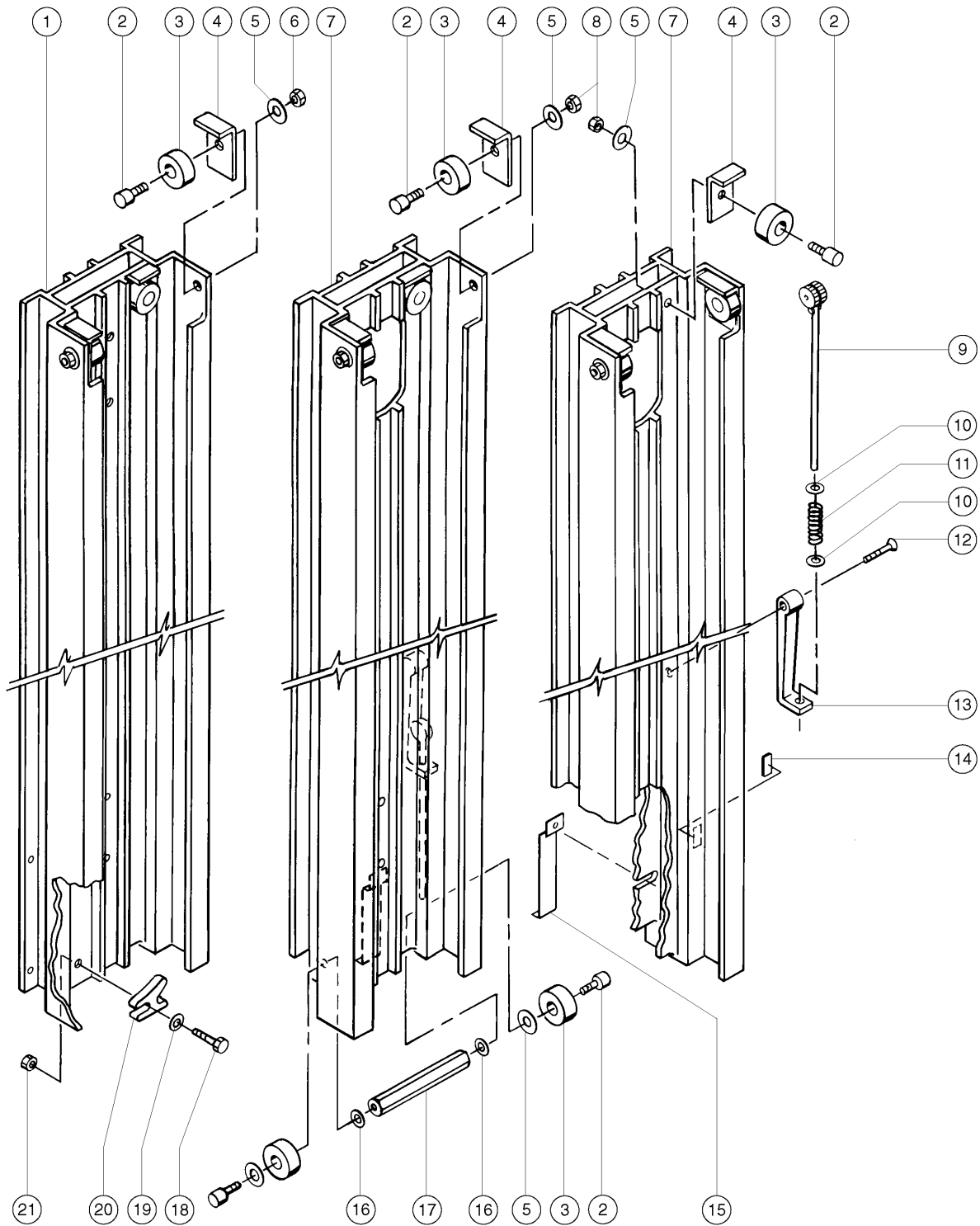
302.3 Mast Components - View 1



Item	Part No.	Description	Qty.
	90337GT	BOE LUBE aluminum dry lubricant	1
1		Ref., COLUMN #1 (refer to 304.1)	1
2	32475GT	BOLT-ROLLER,1/2-13X1.84 ZINC	15
3	32473GT	WHEEL,ROLLER,NYLATRON,1.75	15
4	32474GT	GUARD,ROLLER, SL2,	11
5	6095GT	WASHER,FLAT,USS,1/2",Y	15
6	6086GT	NUT,LP NYLOCK,1/2-13	2
7		Ref., COLUMN ASSY #2 THRU #5 (refer to 304.1)	2
8	6198GT	NUT, NYLOCK, 1/2-13	13
9	35100GT	SAFETY BRAKE ASSY-SLII (OLD)**	2
10	6638GT	WASHER, FLAT, USS, 1/4"Y	4
11	32481GT	SPRING,SAFETY BRAKE**	2
12	17712GT	SCREW,FHS,3/8-16 X 1.75	2
13A	35100GT	SAFETY BRAKE ASSY-SLII (OLD)** (to SN 5595-357)	2
13B	35101GT	SAFETY BRAKE ASSY(SQ.NUT)SL2** (from SN 5595-358)	2
14	33252GT	TAPE,UHMW .75 X .060 BULK	3
15	58095GT	HOLD DOWN KIT W/DECAL SL LONG SL-20 and SL-25	2
15	58750GT	HOLD DOWN KIT W/DECAL SL SHORT SL-5, SL-10, SL-15	2
16	6052GT	WASHER,SHIM,.5 X .875 X .063	2
17	33811GT	COUPLER BAR ASSEMBLY,SLA&C,ST2 SL-20 and SL-25 models only	1
18	6019GT	SCREW,HHC,3/8-16 X 1.25 GRD 5	3
19	12013GT	SHIM,.375 X .063	3
20	32522GT	DOWN STOP	3
21	4828GT	NUT,NYLOCK,3/8-16	3



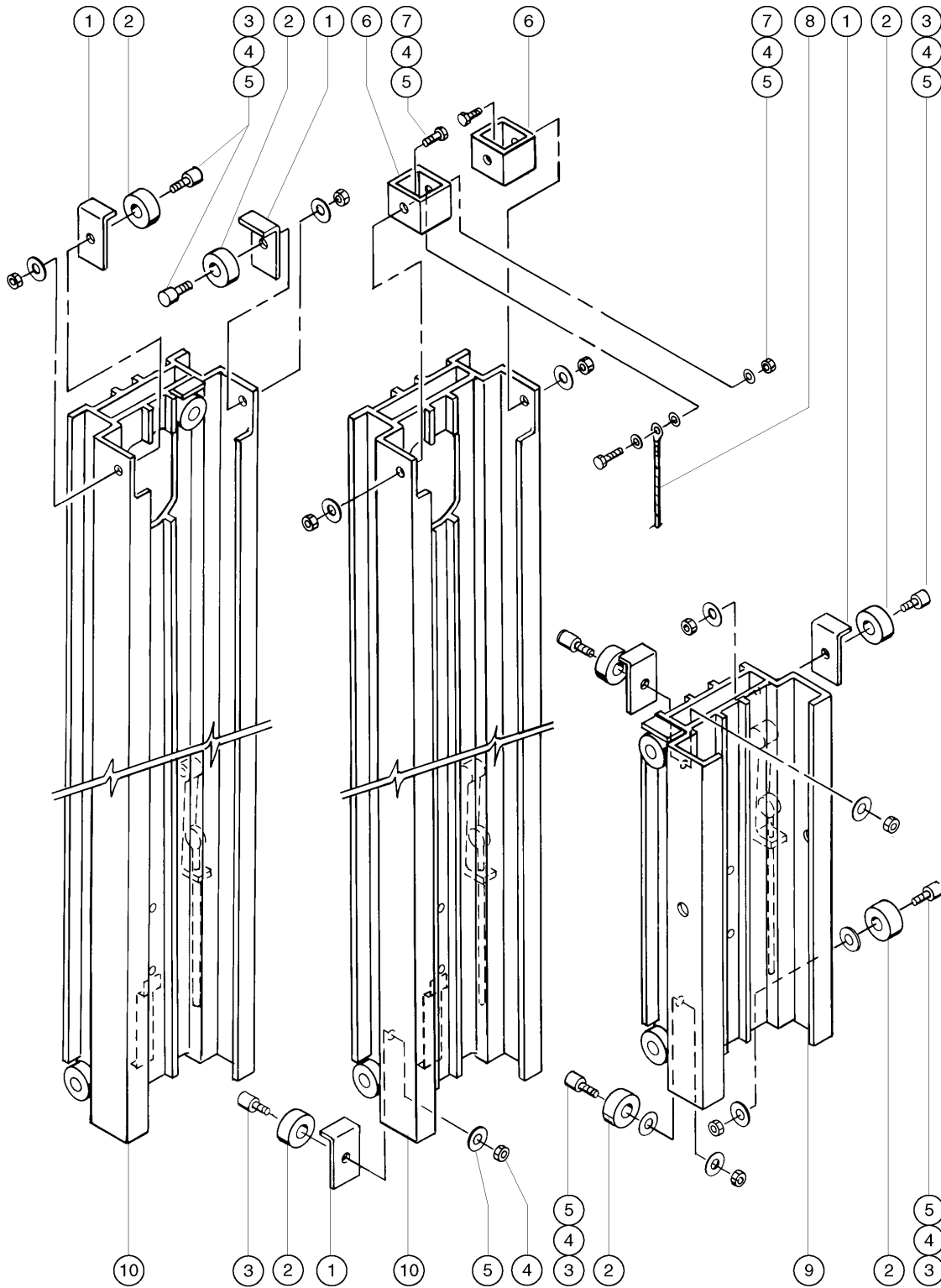
302.4 Mast Components - View 1



Item	Part No.	Description	Qty.
1	32670GT	COLUMN,#1,SL2-OBSOLETE	1
2	32475GT	BOLT-ROLLER,1/2-13X1.84 ZINC	15
3	32473GT	WHEEL,ROLLER,NYLATRON,1.75	15
4	32474GT	GUARD,ROLLER, SL2,	11
5	6095GT	WASHER,FLAT,USS,1/2",Y	15
6	6086GT	NUT,LP NYLOCK,1/2-13	2
7		Ref., COLUMN ASSY #2 THRU #5	2
		(refer to 304.1)	
8	6198GT	NUT, NYLOCK, 1/2-13	13
9	35101GT	SAFETY BRAKE ASSY(SQ.NUT)SL2**	2
10	6638GT	WASHER, FLAT, USS, 1/4"Y	4
11	32481GT	SPRING,SAFETY BRAKE**	2
12	17712GT	SCREW,FHS,3/8-16 X 1.75	2
13	35101GT	SAFETY BRAKE ASSY(SQ.NUT)SL2**	2
14	33252GT	TAPE,UHMW .75 X .060 BULK	3
15	33744GT	HOLD DOWN UPDATE KIT-SLA SLC	2
		SL-20 and SL-25 models	
15	58095GT	HOLD DOWN KIT W/DECAL SL LONG	2
		Serial numbers from 15095 to 25258 (SL-20 and SL-25)	
15	33771GT	HOLD DOWN UPDATE KIT,SL5,10,15	2
		SL-5, SL-10, SL-15	
15	58750GT	HOLD DOWN KIT W/DECAL SL SHORT	2
		Serial numbers from 15095 to 25258 (SL-5, SL-10, SL-15)	
16	6052GT	WASHER,SHIM,.5 X .875 X .063	2
17	33811GT	COUPLER BAR ASSEMBLY,SLA&C,ST2	1
		SL-20 and SL-25 models only	
18	6019GT	SCREW,HHC,3/8-16 X 1.25 GRD 5	3
19	12013GT	SHIM,.375 X .063	3
20	32522GT	DOWN STOP	3
21	4828GT	NUT,NYLOCK,3/8-16	3



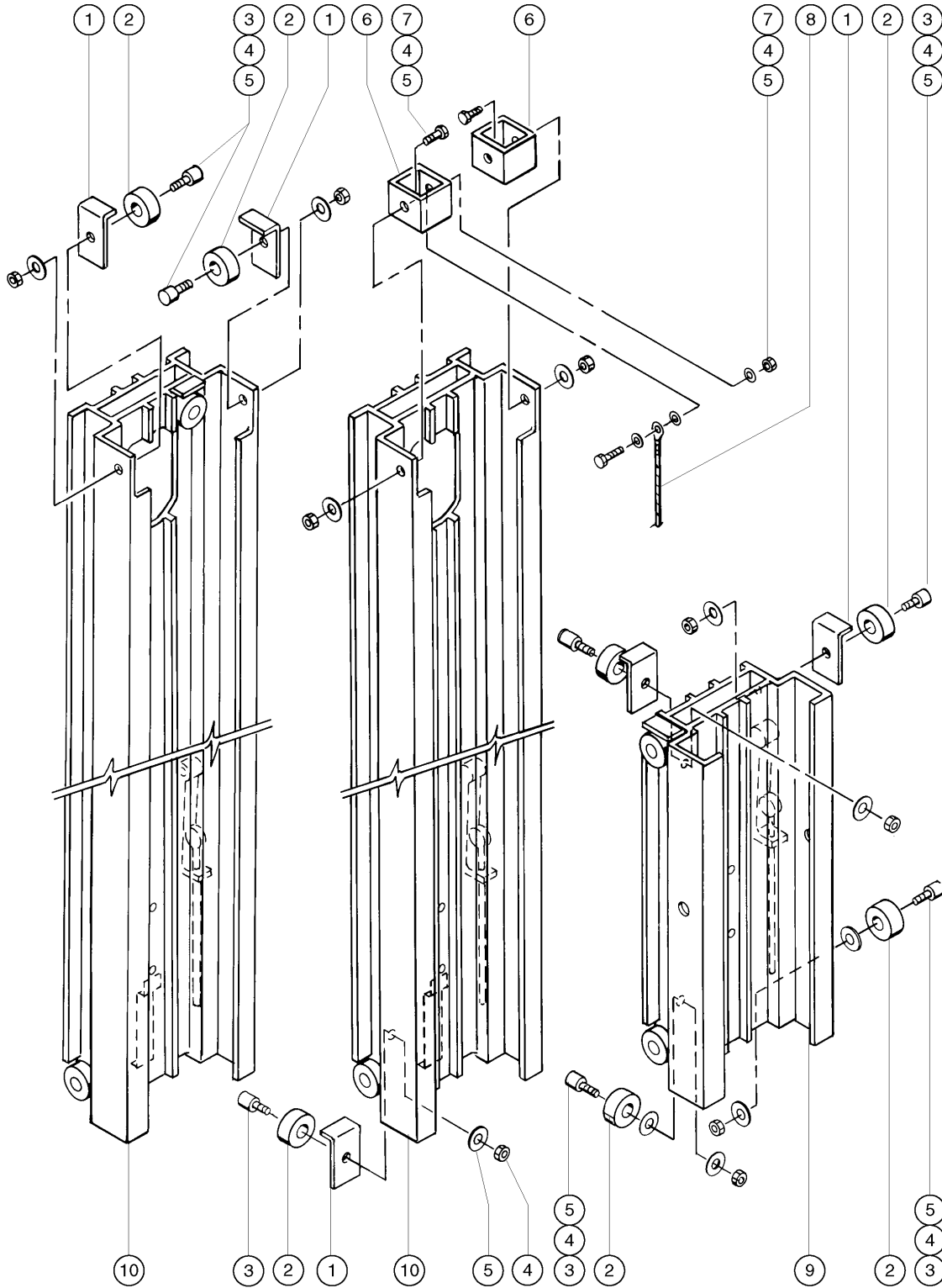
303.1 Mast Components - View 2



Item	Part No.	Description	Qty.
1	32474GT	GUARD,ROLLER, SL2,	8
2	32473GT	WHEEL,ROLLER,NYLATRON,1.75	15
3	32475GT	BOLT-ROLLER,1/2-13X1.84 ZINC	15
4	6095GT	WASHER,FLAT,USS,1/2",Y	16
5	6198GT	NUT, NYLOCK, 1/2-13	18
6	80987GT	KIT, CABLE ANCHOR BRK, SLC/ST*	1
7	10587GT	SCREW,HHC,1/2-13 X.75	3
8	6443GT	CABLE ASSEMBLY-M.5** SLA-5; Does Not Include Cable Replacement Coupler	1
8	6444GT	CABLE ASSY SLA/MNM 7/32" 360" SLA-10; Does Not Include Cable Replacement Coupler	1
8	32903GT	CABLE ASSY SL15 507" 7/32" *** SLA-15; Does Not Include Cable Replacement Coupler	1
8	32904GT	CABLE ASSY,SL/ST20 669" 7/32" SLA-20; Does Not Include Cable Replacement Coupler	1
8	32905GT	CABLE ASSY,SL/ST25 813" 7/32"* SLA-25; Does Not Include Cable Replacement Coupler	1
8A	12402GT	CABLE REPLACEMENT COUPLER	
		Sold Separately	
8B	52701GT	VIDEO,NTSC,SLA,CABLING PROCDR	
		Sold Separately	
9		Ref., CARRIAGE ASSY	
		(refer to 304.1)	
10		Ref., COLUMN ASSY #2 THRU #5	
		(refer to 304.1)	



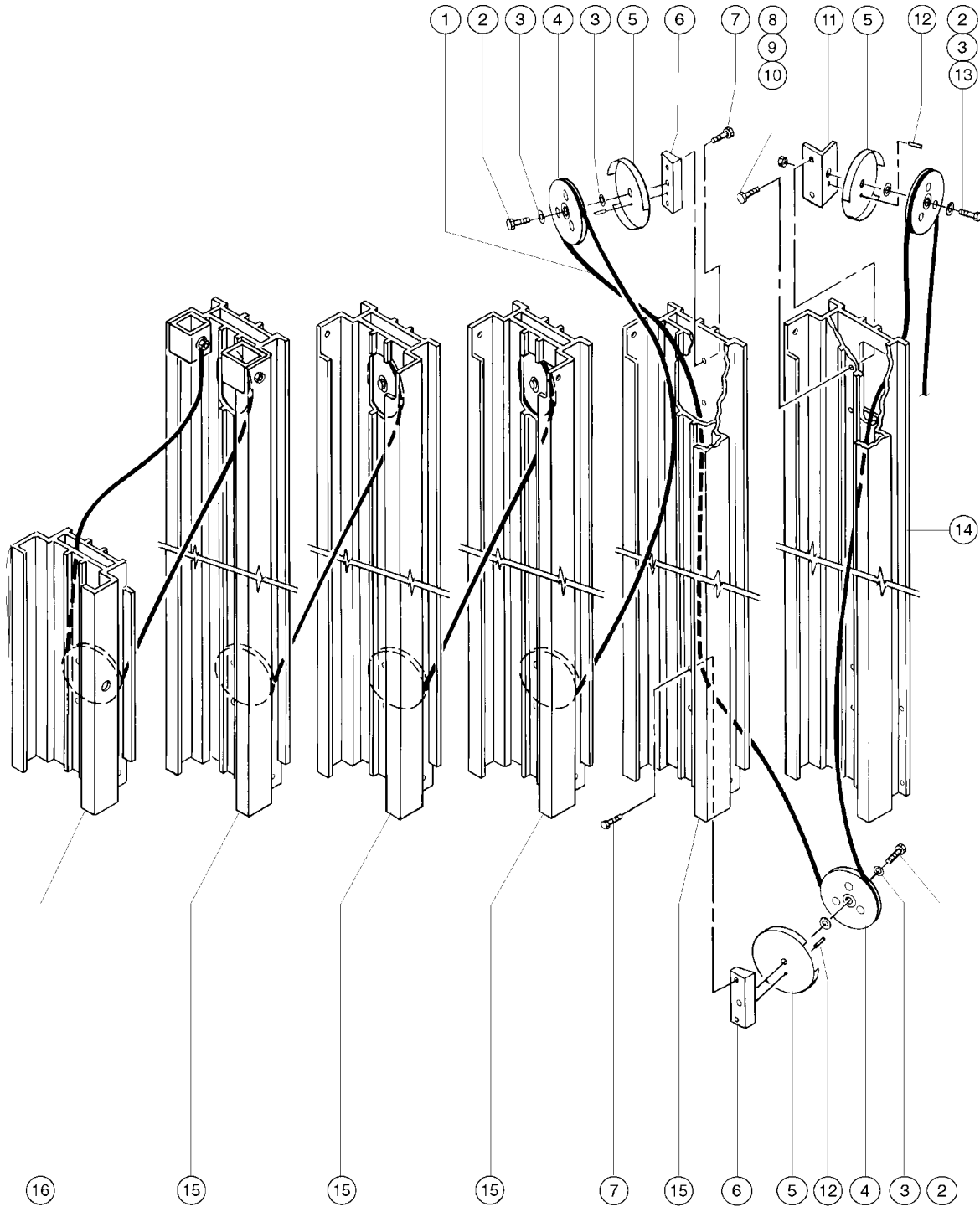
303.2 Mast Components - View 2



Item	Part No.	Description	Qty.
1	32474GT	GUARD,ROLLER, SL2,	8
2	32473GT	WHEEL,ROLLER,NYLATRON,1.75	15
3	32475GT	BOLT-ROLLER,1/2-13X1.84 ZINC	15
4	6095GT	WASHER,FLAT,USS,1/2",Y	16
5	6198GT	NUT, NYLOCK, 1/2-13	18
6	80987GT	KIT, CABLE ANCHOR BRK, SLC/ST*	1
7	10587GT	SCREW,HHC,1/2-13 X.75	3
8	6443GT	CABLE ASSEMBLY-M.5** SLA-5; Does Not Include Cable Replacement Coupler	1
8	6444GT	CABLE ASSY SLA/MNM 7/32" 360" SLA-10; Does Not Include Cable Replacement Coupler	1
8	32903GT	CABLE ASSY SL15 507" 7/32" *** SLA-15; Does Not Include Cable Replacement Coupler	1
8	32904GT	CABLE ASSY,SL/ST20 669" 7/32" SLA-20; Does Not Include Cable Replacement Coupler	1
8	32905GT	CABLE ASSY,SL/ST25 813" 7/32"* SLA-25; Does Not Include Cable Replacement Coupler	1
8A	12402GT	CABLE REPLACEMENT COUPLER	
		Sold Separately	
8A	52701GT	VIDEO,NTSC,SLA,CABLING PROCDR	
		Sold Separately	
9		(refer to 304.1)	
10		(refer to 304.1)	



304.1 Mast Components - Pulleys and Cable (1994)

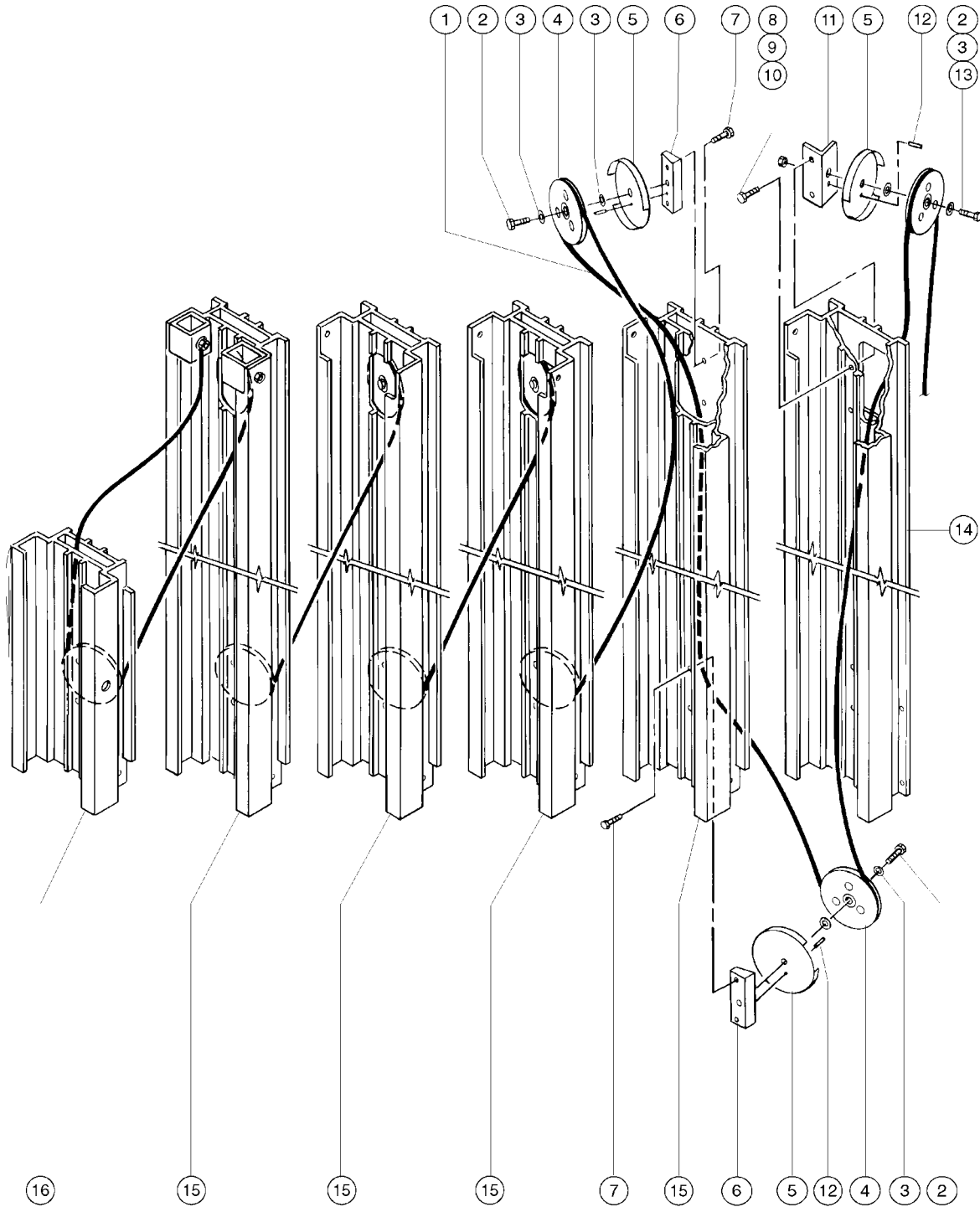


304.1 Mast Components - Pulleys and Cable (1994)

Item	Part No.	Description	Qty.
-	1293206GT	PULLEY KIT,SERVICE,SLA All models to SN SLA04-25258	
1	6443GT	CABLE ASSEMBLY-M,5** SLA-5; Does Not Include Cable Replacement Coupler	1
1	6444GT	CABLE ASSY SLA/MNM 7/32" 360" SLA-10; Does Not Include Cable Replacement Coupler	1
1	32903GT	CABLE ASSY SL15 507" 7/32" *** SLA-15; Does Not Include Cable Replacement Coupler	1
1	32904GT	CABLE ASSY,SL/ST20 669" 7/32" SLA-20; Does Not Include Cable Replacement Coupler	1
1	32905GT	CABLE ASSY,SL/ST25 813" 7/32"* SLA-25; Does Not Include Cable Replacement Coupler	1
1A	12402GT	CABLE REPLACEMENT COUPLER Sold Separately	
1B	52701GT	VIDEO,NTSC,SLA,CABLING PROCDR Sold Separately	
2	10597GT	SCREW,HHC,1/2-13 X 1.25 GR5	10
3	6052GT	WASHER,SHIM,.5 X .875 X .063	20
4	32469GT	PULLEY W/BEARING,ALUMINUM***	10
5	32476GT	GUARD,CABLE***	10
6	32470GT	PULLEY MOUNT , SL-2	9
7	8255GT	SCREW,HHC,3/8-16 X .75	18
8	6019GT	SCREW,HHC,3/8-16 X 1.25 GRD 5	2
9	6097GT	WASHER,FLAT,USS,3/8",Y	2
10	4828GT	NUT,NYLOCK,3/8-16	2
11	32471PGT	PULLEY MOUNT , SL2, #1 "BLUE"	1
12	32483GT	PIN,ROLL,.25 X .50	10
13	6086GT	NUT,LP NYLOCK,1/2-13	1
14A	35475GT	COLUMN #1,OLD SLA-SERV.ONLY from SN 5594-101 to 5594-3941	1
14B	33777GT	COLUMN,#1,SLA** SL-5 from SN 5594-3942 to 5599-3745	1
14C	33777GT	COLUMN,#1,SLA** SL-10 from SN 5594-3942 to 5599-3360	1
14D	33777GT	COLUMN,#1,SLA** SL-15 from SN 5594-3942 to 5599-3361	1
14E	33777GT	COLUMN,#1,SLA** SL-20 from SN 5594-3942 to 5599-3404	1
14F	33777GT	COLUMN,#1,SLA** SL-25 from SN 5594-3942 to 5599-3827	1
15A	32894GT	COLUMN ASSY.#2 THRU #5,SL2** SL-5 from SN 5594-101 to 5594-4447	4
15B	32894GT	COLUMN ASSY.#2 THRU #5,SL2** SL-10 from SN 5594-101 to 5594-4302	4



304.1 Mast Components - Pulleys and Cable (1994)

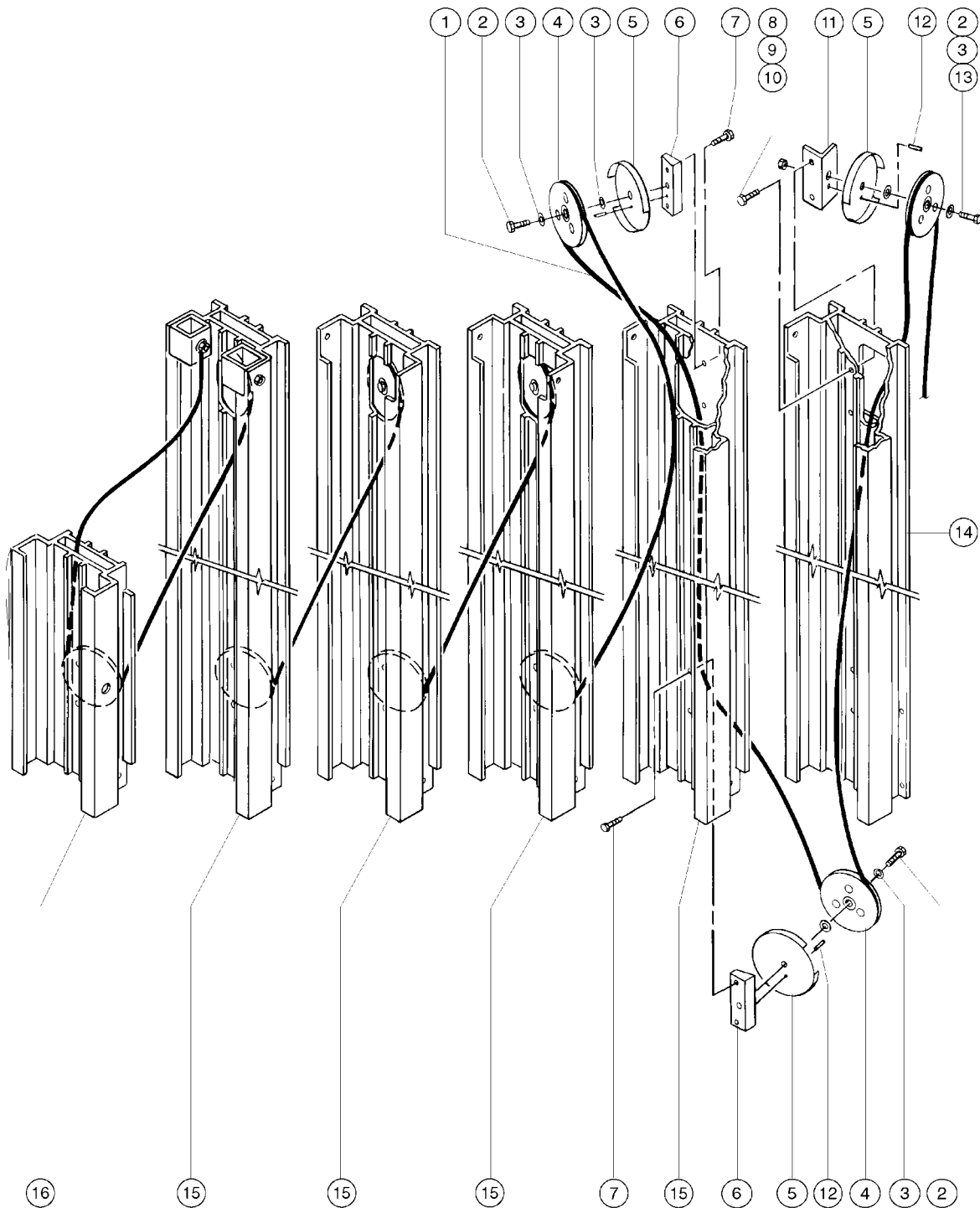


304.1 Mast Components - Pulleys and Cable (1994)

Item	Part No.	Description	Qty.
15C	32894GT	COLUMN ASSY.,#2 THRU #5,SL2** SL-15 from SN 5594-101 to 5594-4293	4
15D	32894GT	COLUMN ASSY.,#2 THRU #5,SL2** SL-20 from SN 5594-101 to 5594-4286	4
15E	32894GT	COLUMN ASSY.,#2 THRU #5,SL2** SL-25 from SN 5594-101 to 5594-4350	4
15F	35482GT	COLUMN ASSY.,#2-#5 SLA** SL-5 from SN 5594-4448 to 5599-3360	4
15G	35482GT	COLUMN ASSY.,#2-#5 SLA** SL-10 from SN 5594-3360 to 5599-3360	4
15H	35482GT	COLUMN ASSY.,#2-#5 SLA** SL-15 from SN 5594-4294 to 5599-3361	4
15I	35482GT	COLUMN ASSY.,#2-#5 SLA** SL-20 from SN 5594-4287 to 5599-3404	4
15J	35482GT	COLUMN ASSY.,#2-#5 SLA** SL-25 from SN 5594-4351 to 5599-3827	4
16A	32895GT	CARRIAGE ASSY,SL5,10,15 SL-5 from SN 101 to 4447	1
16B	32895GT	CARRIAGE ASSY,SL5,10,15 SL-10 from SN 101 to 4302	1
16C	32895GT	CARRIAGE ASSY,SL5,10,15 SL-15 from SN 101 to 4293	1
16D	35488GT	CARRIAGE ASSY,SL5,10,15** SL-5 from SN 4448	1
16E	35488GT	CARRIAGE ASSY,SL5,10,15** SL-10 from SN 4303 to 999999	1
16F	35488GT	CARRIAGE ASSY,SL5,10,15** SL-15 from SN 4294 to 999999	1
16G	32896GT	CARRIAGE ASSY,SL20,25 SL-20 from SN 101 to 4286	1
16H	32896GT	CARRIAGE ASSY,SL20,25 SL-25 from SN 101 to 4350	1
16I	35486GT	CARRIAGE ASSY,SL20,SL25** SL-20 from SN 4287 to 999999	1
16J	35486GT	CARRIAGE ASSY,SL20,SL25** SL-25 from SN 4351 to 999999	1



304.2 Mast Components - Pulleys and Cable (1995 through 2001)

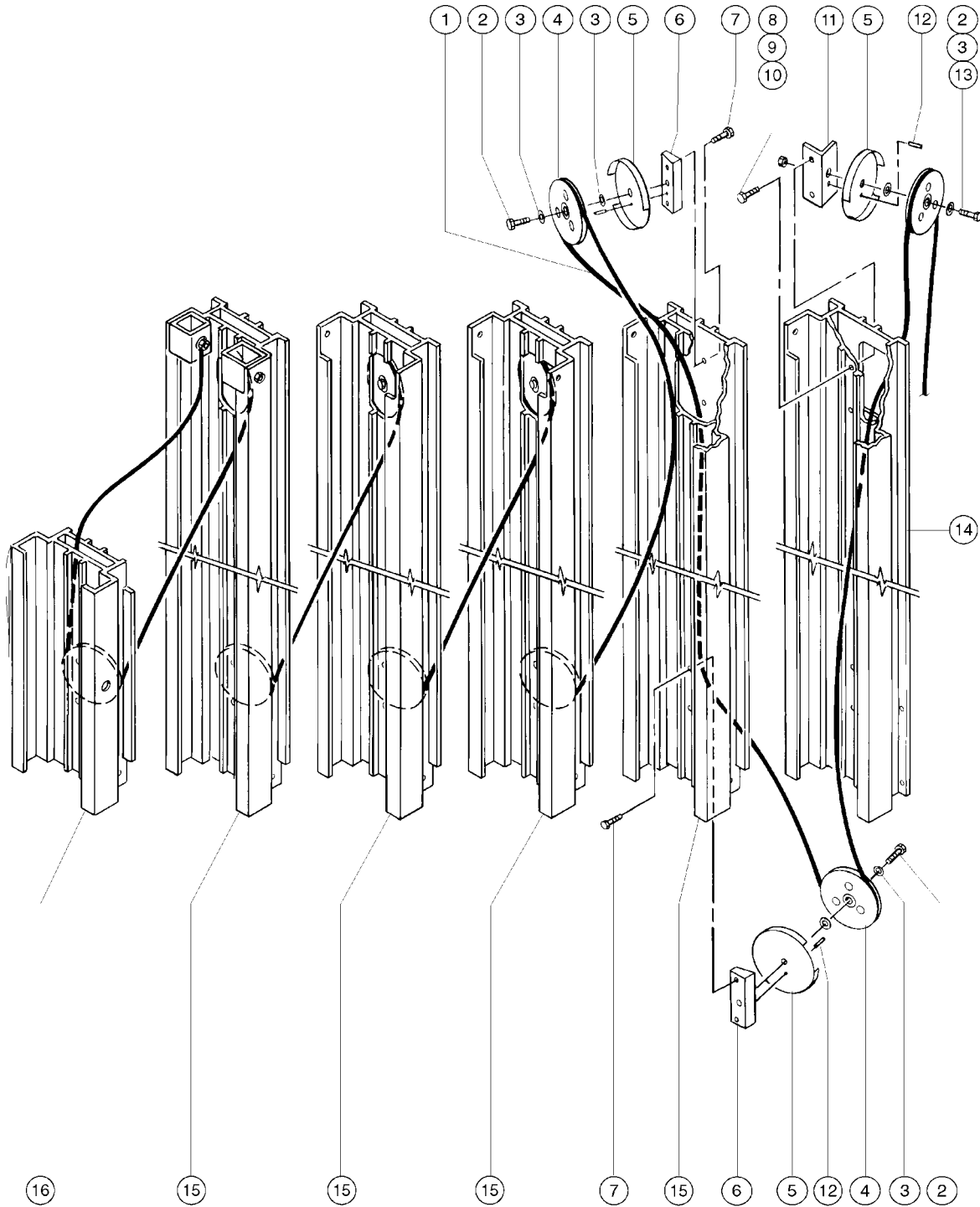


304.2 Mast Components - Pulleys and Cable (1995 through 2001)

Item	Part No.	Description	Qty.
-	1293206GT	PULLEY KIT,SERVICE,SLA All models to SN SLA04-25258	
1	6443GT	CABLE ASSEMBLY-M,5** SLA-5; Does Not Include Cable Replacement Coupler	1
1	6444GT	CABLE ASSY SLA/MNM 7/32" 360" SLA-10; Does Not Include Cable Replacement Coupler	1
1	32903GT	CABLE ASSY SL15 507" 7/32" *** SLA-15; Does Not Include Cable Replacement Coupler	1
1	32904GT	CABLE ASSY,SL/ST20 669" 7/32" SLA-20; Does Not Include Cable Replacement Coupler	1
1	32905GT	CABLE ASSY,SL/ST25 813" 7/32"* SLA-25; Does Not Include Cable Replacement Coupler	1
1A	12402GT	CABLE REPLACEMENT COUPLER Sold Separately	
1B	52701GT	VIDEO,NTSC,SLA,CABLING PROCDR Sold Separately	
2	10597GT	SCREW,HHC,1/2-13 X 1.25 GR5	10
3	6052GT	WASHER,SHIM,.5 X .875 X .063	20
4	32469GT	PULLEY W/BEARING,ALUMINUM***	10
5	32476GT	GUARD,CABLE***	10
6	32470GT	PULLEY MOUNT , SL-2	9
7	8255GT	SCREW,HHC,3/8-16 X .75	18
8	6019GT	SCREW,HHC,3/8-16 X 1.25 GRD 5	2
9	6097GT	WASHER,FLAT,USS,3/8",Y	2
10	4828GT	NUT,NYLOCK,3/8-16	2
11	32471PGT	PULLEY MOUNT , SL2, #1 "BLUE"	1
12	32483GT	PIN,ROLL,.25 X .50	10
13	6086GT	NUT,LP NYLOCK,1/2-13	1
14B	33777GT	COLUMN,#1,SLA** SL-5 from SN 5594-3942 to 5599-3745	1
14C	33777GT	COLUMN,#1,SLA** SL-10 from SN 5594-3942 to 5599-3360	1
14D	33777GT	COLUMN,#1,SLA** SL-15 from SN 5594-3942 to 5599-3361	1
14E	33777GT	COLUMN,#1,SLA** SL-20 from SN 5594-3942 to 5599-3404	1
14F	33777GT	COLUMN,#1,SLA** SL-25 from SN 5594-3942 to 5599-3827	1
14G	57032-SGT	COLUMN#1,SL ADVANTAGE SERV SL-5 from SN 5599-3746	1
14H	57032-SGT	COLUMN#1,SL ADVANTAGE SERV SL-10 from SN 5599-3361	1
14I	57032-SGT	COLUMN#1,SL ADVANTAGE SERV SL-15 from SN 5599-3362	1



304.2 Mast Components - Pulleys and Cable (1995 through 2001)

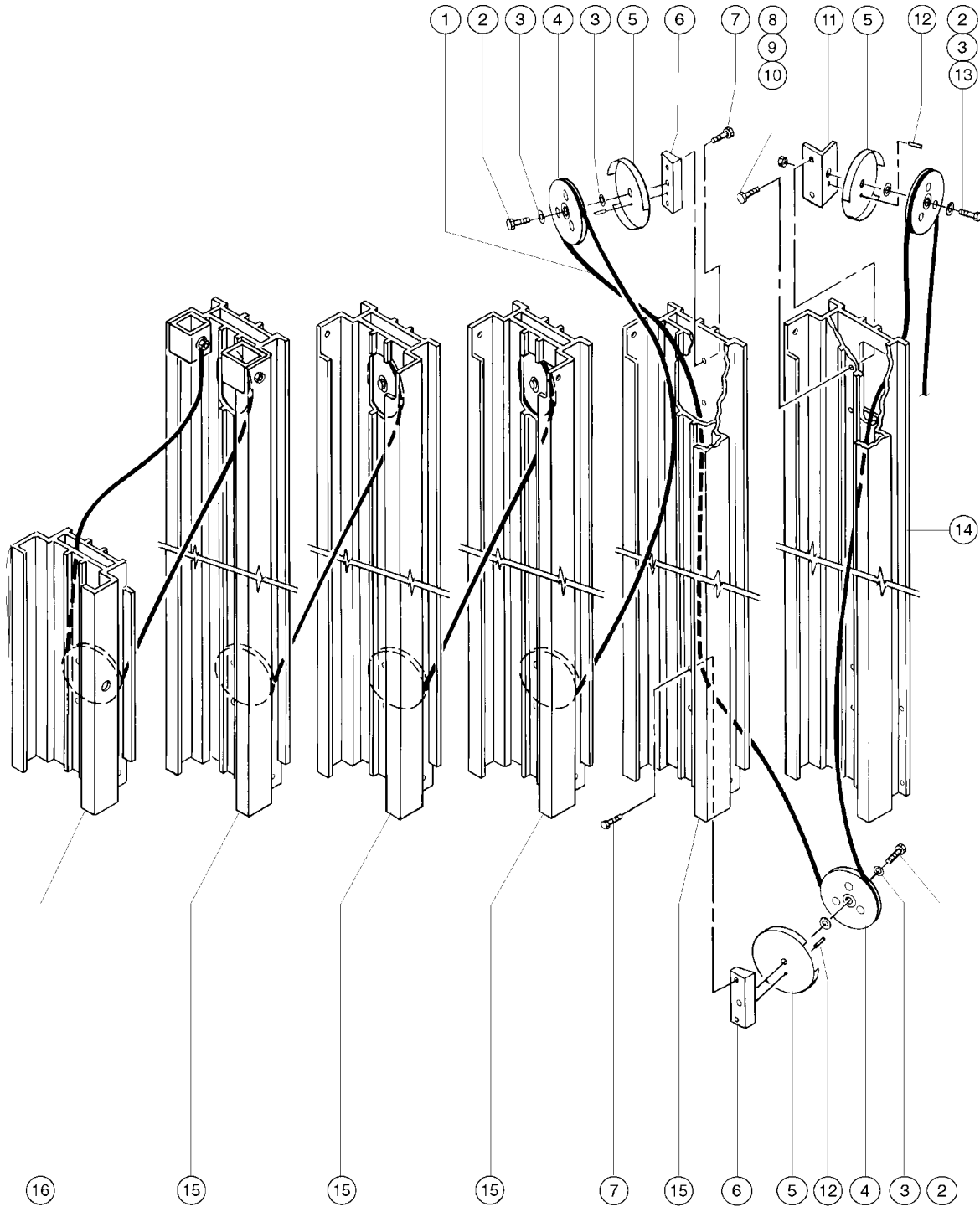


304.2 Mast Components - Pulleys and Cable (1995 through 2001)

Item	Part No.	Description	Qty.
14J	57032-SGT	COLUMN#1,SL ADVANTAGE SERV SL-20 from SN 5599-3405	1
14K	57032-SGT	COLUMN#1,SL ADVANTAGE SERV SL-25 from SN 5599-3828	1
15F	35482GT	COLUMN ASSY.,#2-#5 SLA** SL-5 from SN 5594-4448 to 5599-3360	4
15G	35482GT	COLUMN ASSY.,#2-#5 SLA** SL-10 from SN 5594-3360 to 5599-3360	4
15H	35482GT	COLUMN ASSY.,#2-#5 SLA** SL-15 from SN 5594-4294 to 5599-3361	4
15I	35482GT	COLUMN ASSY.,#2-#5 SLA** SL-20 from SN 5594-4287 to 5599-3404	4
15J	35482GT	COLUMN ASSY.,#2-#5 SLA** SL-25 from SN 5594-4351 to 5599-3827	4
15K	57033-SGT	COLUMN#2,SL ADVANTAGE SERV SL-5 from SN 5599-3361	4
15L	57033-SGT	COLUMN#2,SL ADVANTAGE SERV SL-10 from SN 5599-3361	4
15M	57033-SGT	COLUMN#2,SL ADVANTAGE SERV SL-15 from SN 5599-3362	4
15N	57033-SGT	COLUMN#2,SL ADVANTAGE SERV SL-20 from SN 5599-3405	4
15O	57033-SGT	COLUMN#2,SL ADVANTAGE SERV SL-25 from SN 5599-3828	4
16D	35488GT	CARRIAGE ASSY,SL5,10,15** SL-5 from SN 5594-4448 to 5599-3744	1
16E	35488GT	CARRIAGE ASSY,SL5,10,15** SL-10 from SN 5594-4303 to 5599-3359	1
16F	35488GT	CARRIAGE ASSY,SL5,10,15** SL-15 from SN 5594-4294 to 5599-3360	1
16K	57034GT	CARRIAGE,SL ADVANTAGE(5,10,15) SL-5 from SN 5599-3745	1
16L	57034GT	CARRIAGE,SL ADVANTAGE(5,10,15) SL-10 from SN 5599-3360	1
16M	57034GT	CARRIAGE,SL ADVANTAGE(5,10,15) SL-15 from SN 5599-3361	1
16I	35486GT	CARRIAGE ASSY,SL20,SL25** SL-20 from SN 5594-4287 to 5599-3404	1
16J	35486GT	CARRIAGE ASSY,SL20,SL25** SL-25 from SN 5594-4351 to 5599-3827	1
16N	57035GT	CARRIAGE,SL ADVANTAGE(20,25) SL-20 from SN 5599-3405	1
16O	57035GT	CARRIAGE,SL ADVANTAGE(20,25) SL-25 from SN 5599-3828	1



304.3 Mast Components - Pulleys and Cable (from 2002)

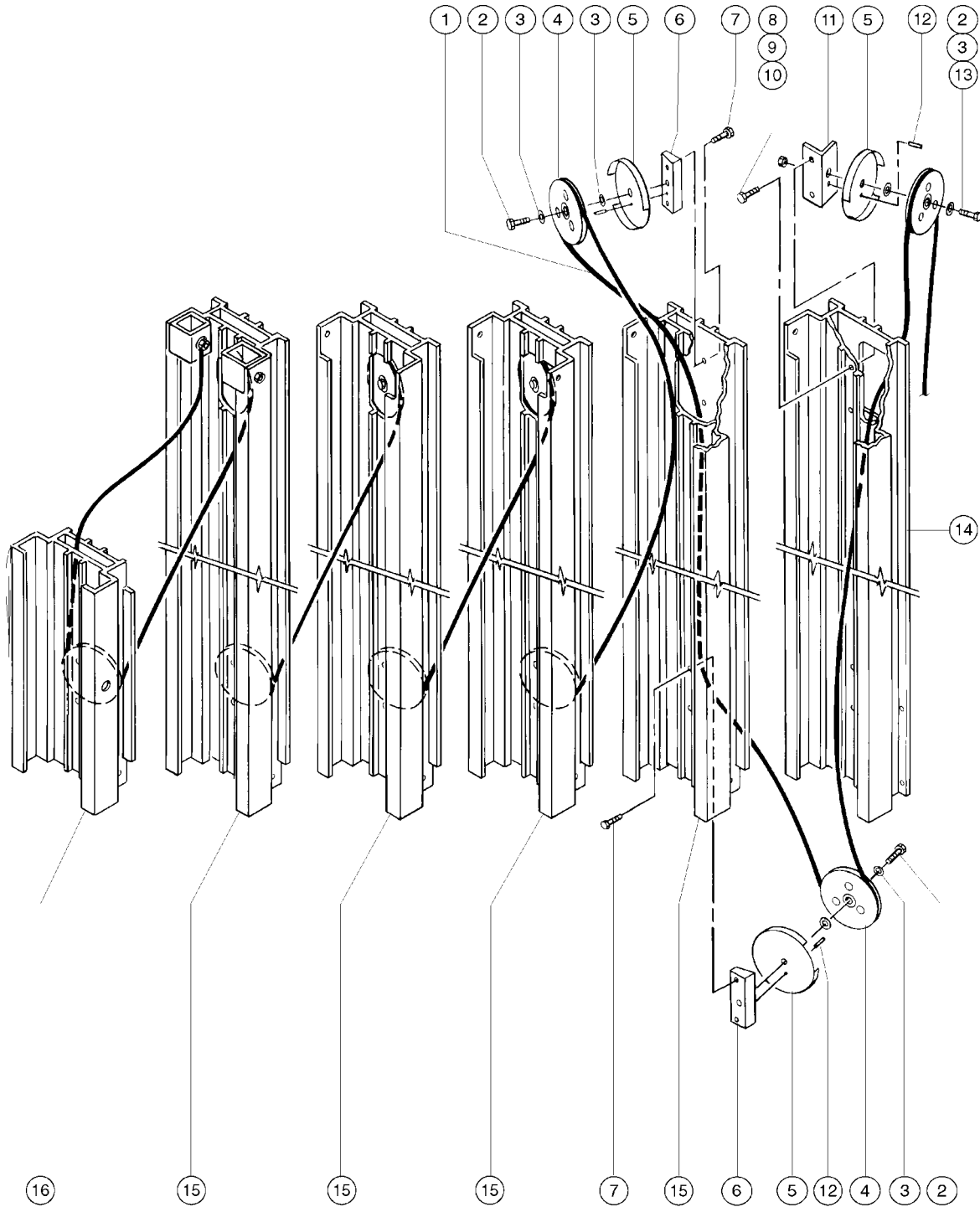


304.3 Mast Components - Pulleys and Cable (from 2002)

Item	Part No.	Description	Qty.
-	1293206GT	PULLEY KIT,SERVICE,SLA All models to SN SLA04-25258	
1	6443GT	CABLE ASSEMBLY-M,5** SLA-5; Does Not Include Cable Replacement Coupler	1
1	6444GT	CABLE ASSY SLA/MNM 7/32" 360" SLA-10; Does Not Include Cable Replacement Coupler	1
1	32903GT	CABLE ASSY SL15 507" 7/32" *** SLA-15; Does Not Include Cable Replacement Coupler	1
1	32904GT	CABLE ASSY,SL/ST20 669" 7/32" SLA-20; Does Not Include Cable Replacement Coupler	1
1	32905GT	CABLE ASSY,SL/ST25 813" 7/32"* SLA-25; Does Not Include Cable Replacement Coupler	1
1A	12402GT	CABLE REPLACEMENT COUPLER Sold Separately	
1B	52701GT	VIDEO,NTSC,SLA,CABLING PROCDR Sold Separately	
2	10597GT	SCREW,HHC,1/2-13 X 1.25 GR5	10
3	6052GT	WASHER,SHIM,.5 X .875 X .063	20
4	32469GT	PULLEY W/BEARING,ALUMINUM***	10
5	32476GT	GUARD,CABLE***	10
5	80680GT	GUARD, CABLE Serial numbers from 18072 to 25258	
6	32470GT	PULLEY MOUNT , SL-2	9
7	8255GT	SCREW,HHC,3/8-16 X .75	18
8	6019GT	SCREW,HHC,3/8-16 X 1.25 GRD 5	2
9	6097GT	WASHER,FLAT,USS,3/8",Y	2
10	4828GT	NUT,NYLOCK,3/8-16	2
11	32471PGT	PULLEY MOUNT, SL2, #1 "BLUE"	1
12	32483GT	PIN,ROLL,.25 X .50	10
13	6086GT	NUT,LP NYLOCK,1/2-13	1
14G	57032-SGT	COLUMN#1,SL ADVANTAGE SERV SL-5 from SN 5599-3746	1
14H	57032-SGT	COLUMN#1,SL ADVANTAGE SERV SL-10 from SN 5599-3361	1
14I	57032-SGT	COLUMN#1,SL ADVANTAGE SERV SL-15 from SN 5599-3362	1
14J	57032-SGT	COLUMN#1,SL ADVANTAGE SERV SL-20 from SN 5599-3405	1
14K	57032-SGT	COLUMN#1,SL ADVANTAGE SERV SL-25 from SN 5599-3828	1
15K	57033-SGT	COLUMN#2,SL ADVANTAGE SERV SL-5 from SN 5599-3361	4
15L	57033-SGT	COLUMN#2,SL ADVANTAGE SERV SL-10 from SN 5599-3361	4



304.3 Mast Components - Pulleys and Cable (from 2002)

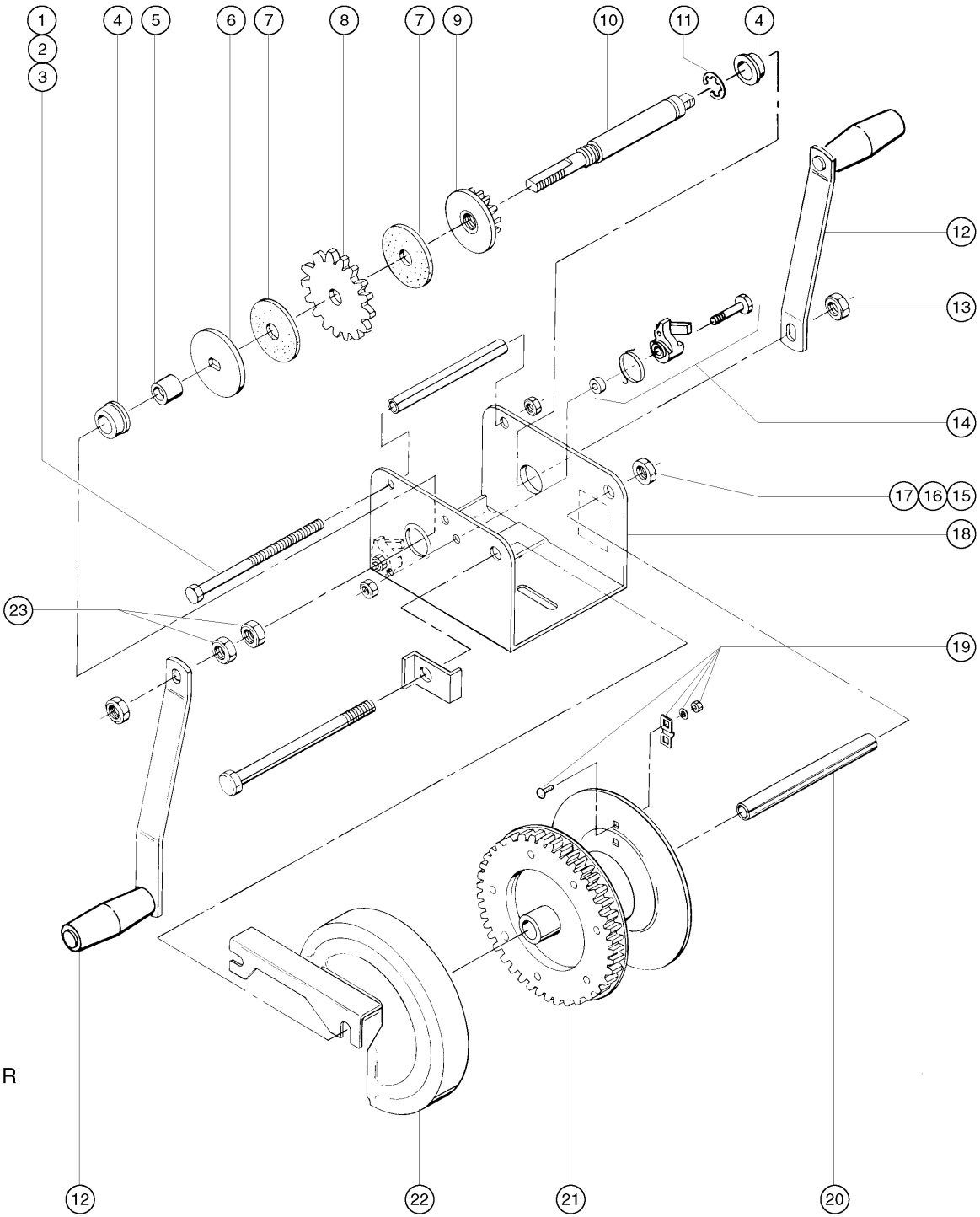


304.3 Mast Components - Pulleys and Cable (from 2002)

<i>Item</i>	<i>Part No.</i>	<i>Description</i>	<i>Qty.</i>
15M	57033-SGT	COLUMN#2,SL ADVANTAGE SERV SL-15 from SN 5599-3362	4
15N	57033-SGT	COLUMN#2,SL ADVANTAGE SERV SL-20 from SN 5599-3405	4
15O	57033-SGT	COLUMN#2,SL ADVANTAGE SERV SL-25 from SN 5599-3828	4
16K	57034GT	CARRIAGE,SL ADVANTAGE(5,10,15) SL-5 from SN 5599-3745	1
16L	57034GT	CARRIAGE,SL ADVANTAGE(5,10,15) SL-10 from SN 5599-3360	1
16M	57034GT	CARRIAGE,SL ADVANTAGE(5,10,15) SL-15 from SN 5599-3361	1
16N	57035GT	CARRIAGE,SL ADVANTAGE(20,25) SL-20 from SN 5599-3405	1
16O	57035GT	CARRIAGE,SL ADVANTAGE(20,25) SL-25 from SN 5599-3828	1



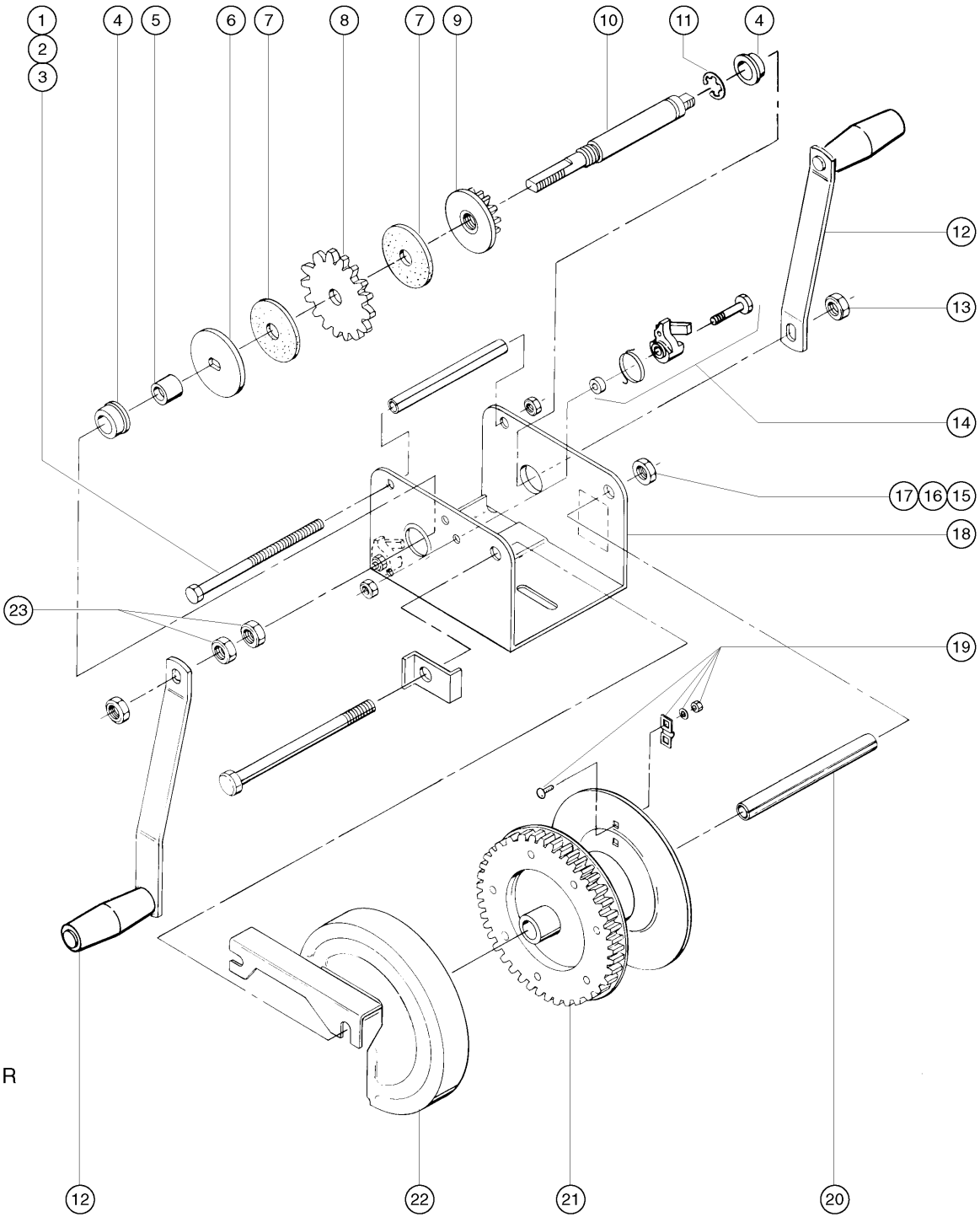
305.1 Single Speed Winch



Item	Part No.	Description	Qty.
A-		SERVICE KIT,PINION SHAFT-K1550 (1256081) (component no longer available)	
C-	1256083GT	SVC KIT, FRICTION DISC K/KX includes qty 2 of item 7	
D-	32945GT	WINCH,W/DECAL 1SPEED SL/ST handles not included	
1	7256GT	SCREW,HHC,5/16-18 X 6 GRD.2	1
2		FRAME SPACER,K-1550 (7584) (not sold separately)	1
3	12012GT	NUT,LOCK,3/8-16	1
4		BUSHING, SMALL PINION, FULTON (6199) (component not available separately)	2
5		SPACER,PINION SHAFT (32890) (component not available separately)	1
6		WINCH PINION PLATE, K-1550 (7591) (component not available separately)	1
7		BRAKE DISK,.5 BORE,K-1550 (7571) (component not available separately)	2
8		RATCHET GEAR,K-1550 1/2" I.D. (6777) (component not available separately)	1
9		PINION GEAR AND DISC K-1550 (7590) (component not available separately)	1
10		SHAFT,PINION (32891) (component not available separately)	1
11		RETAINING RING (6200) (component not available separately)	1
12	33143GT	WINCH HANDLE 6" STD. SL-5 models	2
12	33144GT	WINCH HANDLE 8" STD.** SL-10, 15, 20 and 25 models	2
13	6086GT	NUT,LP NYLOCK,1/2-13	2
14	40458GT	RATCHET PAWL KIT	1
15	6086GT	NUT,LP NYLOCK,1/2-13	1
16	6184GT	SPACER, DRUM BOLT, K-1550	1
17	6185GT	BOLT, DRUM SPACER	1
18		FRAME & DRUM SUPPORT (component not available separately)	1
19	6190GT	CABLE KEEP.KIT (BRACKET TYPE)*	1
20	6184GT	SPACER, DRUM BOLT, K-1550	1
21		Ref. Drum Assembly	1
22	6770GT	WINCH GEAR COVERS, K-1500	1
23	6034GT	NUT,HEX,JAM,1/2-13	2



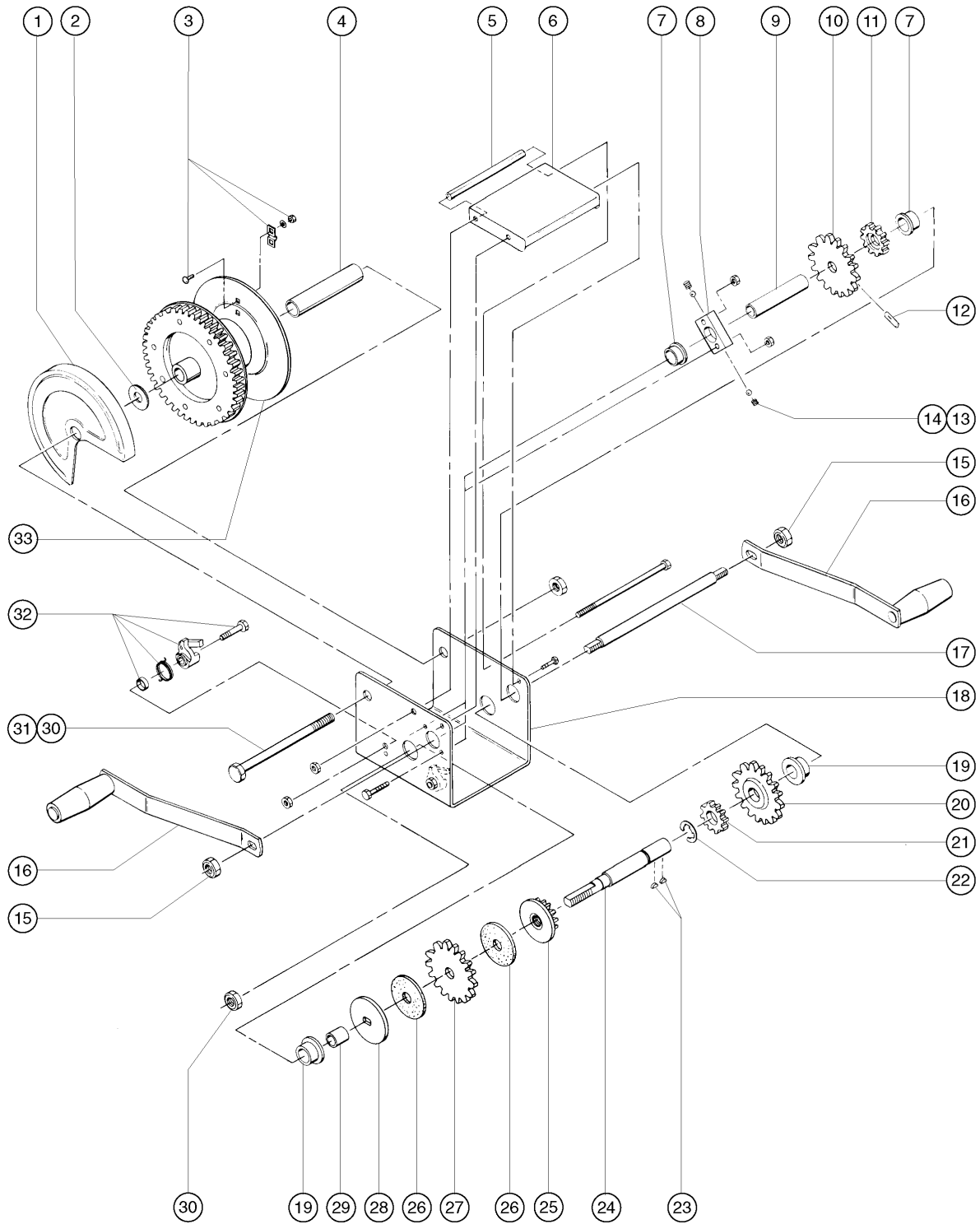
305.2 Single Speed Winch



Item	Part No.	Description	Qty.
A-		SERVICE KIT,PINION SHAFT-K1550 (1256081) (component no longer available)	
C-	1256083GT	SVC KIT, FRICTION DISC K/KX includes qty 2 of item 7	
D-	32945GT	WINCH,W/DECAL 1SPEED SL/ST handles not included	
1	7256GT	SCREW,HHC,5/16-18 X 6 GRD.2	1
2		FRAME SPACER,K-1550 (7584) (component no longer available)	1
3	12012GT	NUT,LOCK,3/8-16	1
4		BUSHING, SMALL PINION, FULTON (6199) (component not available separately)	2
5		SPACER,PINION SHAFT (32890) (component not available separately)	1
6		WINCH PINION PLATE, K-1550 (7591) (component not available separately)	1
7		BRAKE DISK,.5 BORE,K-1550 (7571) (component not available separately)	2
8		RATCHET GEAR,K-1550 1/2" I.D. (6777) (component not available separately)	1
9		PINION GEAR AND DISC K-1550 (7590) (component not available separately)	1
10		SHAFT,PINION (32891) (component not available separately)	1
11		RETAINING RING (6200) (not sold separately)	1
12	33143GT	WINCH HANDLE 6" STD. SL-5 models	2
12	33144GT	WINCH HANDLE 8" STD.** SL-10, 15, 20 and 25 models	2
13	6086GT	NUT,LP NYLOCK,1/2-13	2
14	40458GT	RATCHET PAWL KIT	1
15	6086GT	NUT,LP NYLOCK,1/2-13	1
16	6184GT	SPACER, DRUM BOLT, K-1550	1
17	6185GT	BOLT, DRUM SPACER	1
18		FRAME & DRUM SUPPORT (component not available separately)	1
19	6190GT	CABLE KEEP.KIT (BRACKET TYPE)*	1
20	6184GT	SPACER, DRUM BOLT, K-1550	1
21		Ref. Drum Assembly	1
22	6770GT	WINCH GEAR COVERS, K-1500	1
23	6034GT	NUT,HEX,JAM,1/2-13	2



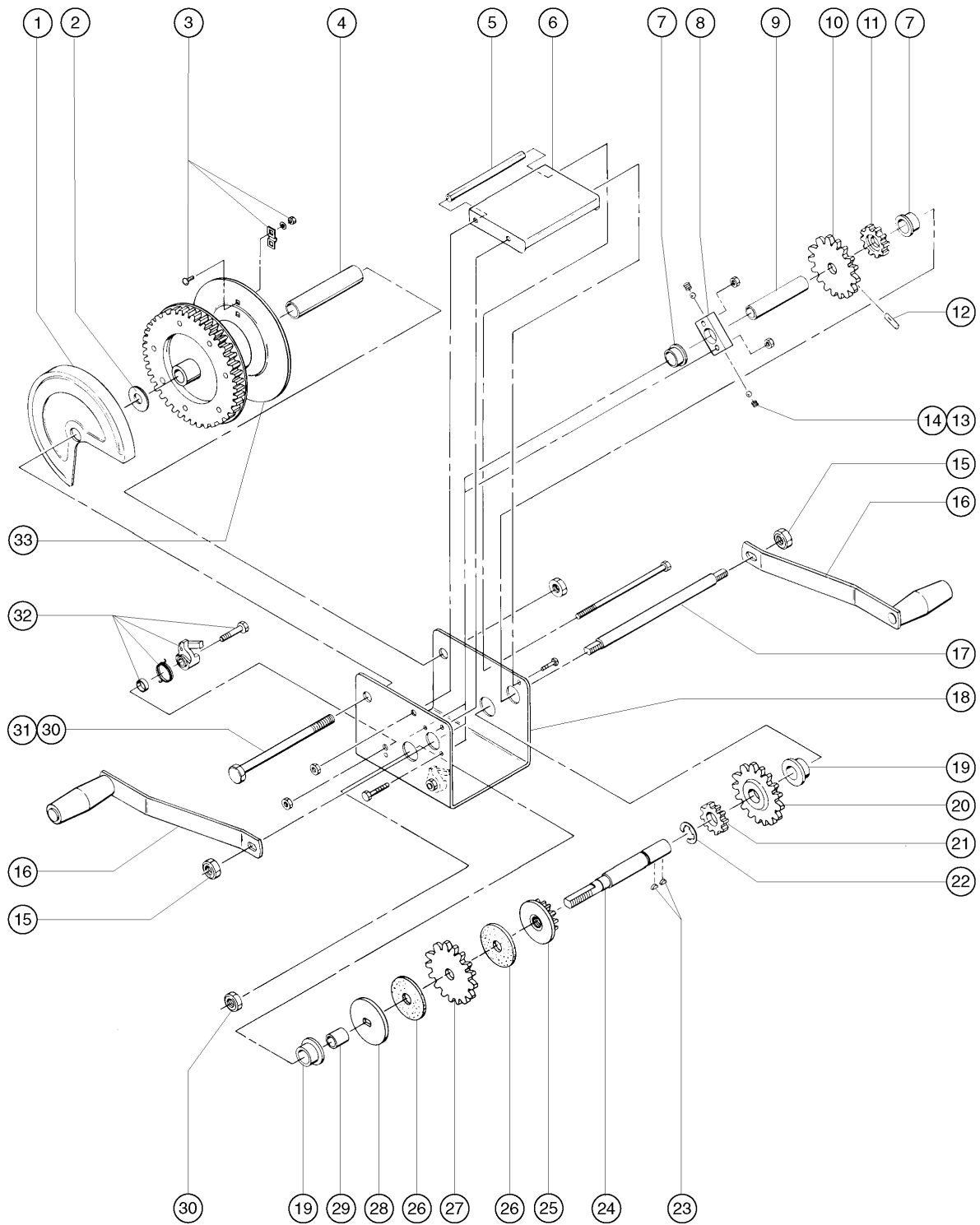
306.1 Two Speed Winch



Item	Part No.	Description	Qty.
A-	32946GT	WINCH W/DECAL,2 SPEED***	
B-	32888GT	WINCH PLATE W/DECALS,SL2**OLD (to S/N 5595-3793)	
C-	35807GT	WINCH PLATE W/DECALS, SL2** (from S/N 5595-3794)	
1	32776GT	COVER,GEAR,51 TOOTH	1
2	32777GT	WASHER	1
3	6190GT	CABLE KEEP.KIT (BRACKET TYPE)*	1
4		SPACER,DRUM (component no longer available)	1
5	32779GT	SPACER,FRAME	1
6	32780GT	COVER,INPUT SHAFT	1
7	32859GT	BUSHING,0.63 INCH ID	2
7		KIT,WINCH BUSHING/SHAFT REPAIR (component no longer available)	
8		HOUSING,SPRING & BALL DETENT (component no longer available)	1
9		SPACER,INPUT SHAFT (component no longer available)	1
10		GEAR,INPUT SHAFT,24 TOOTH (component no longer available)	1
11		GEAR,INPUT SHAFT,12 TOOTH (component no longer available)	1
12		PIN,DRIVE,0.187 (component no longer available)	1
13	32865GT	SPRING,DETENT	2
14	32866GT	BALL,DETENT,0.25 INCH	2
15	6086GT	NUT,LP NYLOCK,1/2-13	2
16	33143GT	WINCH HANDLE 6" STD. SL-5 models	2
16A	33144GT	WINCH HANDLE 8" STD.** SL-10, 15, 20 and 25 models	2
17	32873GT	INPUT SHAFT	1
18		FRAME AND DRUM SUPPORT (component no longer available)	1
19		SERVICE KIT,PINION SHAFT-K1550 (1256081) component no longer available	2
20		GEAR,PINION SHAFT,24 TOOTH (component no longer available)	1
21		GEAR,PINION SHAFT,12 TOOTH (component no longer available)	1
22		RETAINING RING (6200) (not sold separately)	1
23		KEY,WOODRUFF,NO. 403 (component no longer available)	2



306.1 Two Speed Winch

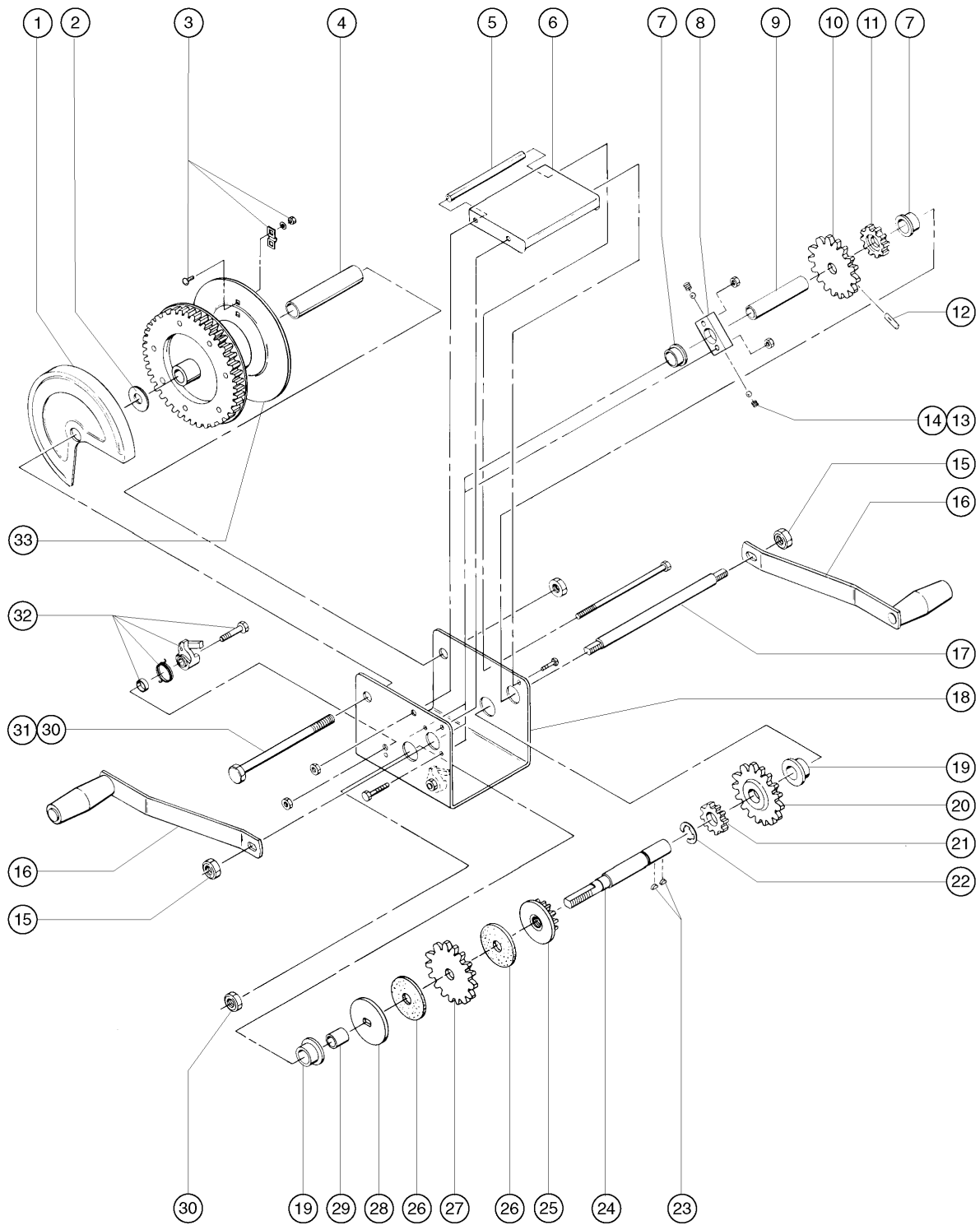


306.1 Two Speed Winch

<i>Item</i>	<i>Part No.</i>	<i>Description</i>	<i>Qty.</i>
24	32872GT	PINION SHAFT	1
25		PINION GEAR AND DISC K-1550 (7590) (not sold separately)	1
26	1256083GT	SVC KIT, FRICTION DISC K/KX	2
27		SERVICE KIT,PINION SHAFT-K1550 (1256081) component no longer available	1
28		SERVICE KIT,PINION SHAFT-K1550 (1256081) component no longer available	1
29	7598GT	WINCH, PINION SPACER,SM,KX1550	1
30	6086GT	NUT,LP NYLOCK,1/2-13	2
31	12460GT	SCREW,HHC,1/2-13 X 6.5	1
32	40117GT	RATCHET PAWL KIT, (33090)	1
33		Ref. Winch Drum (not available as service part)	1



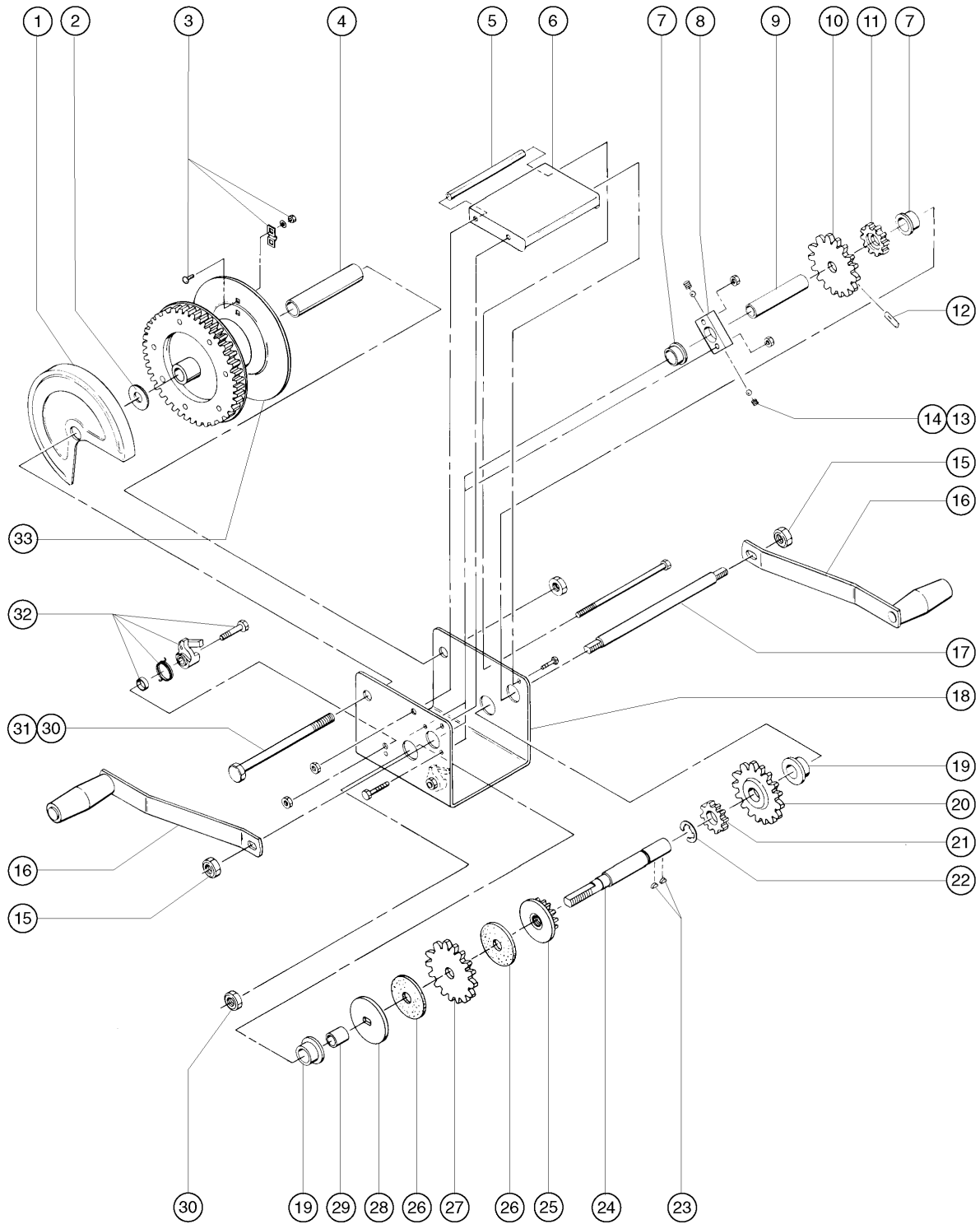
306.3 Two Speed Winch



Item	Part No.	Description	Qty.
A-	32946GT	WINCH W/DECAL,2 SPEED***	
B-	32888GT	WINCH PLATE W/DECALS,SL2**OLD (to S/N 5595-3793)	
C-	35807GT	WINCH PLATE W/DECALS, SL2** (from S/N 5595-3794)	
1	32776GT	COVER,GEAR,51 TOOTH	1
2	32777GT	WASHER	1
3	6190GT	CABLE KEEP.KIT (BRACKET TYPE)*	1
4		SPACER,DRUM (component no longer available)	1
5	32779GT	SPACER,FRAME	1
6	32780GT	COVER,INPUT SHAFT	1
7	32859GT	BUSHING,0.63 INCH ID	2
7		KIT,WINCH BUSHING/SHAFT REPAIR (component no longer available)	
8	32860GT	HOUSING,SPRING & BALL DETENT	1
9		SPACER,INPUT SHAFT (component no longer available)	1
10		GEAR,INPUT SHAFT,24 TOOTH (component no longer available)	1
11		GEAR,INPUT SHAFT,12 TOOTH (component no longer available)	1
12		PIN,DRIVE,0.187 (component no longer available)	1
13	32865GT	SPRING,DETENT	2
14	32866GT	BALL,DETENT,0.25 INCH	2
15	6086GT	NUT,LP NYLOCK,1/2-13	2
16	33143GT	WINCH HANDLE 6" STD. SL-5 models	2
16A	33144GT	WINCH HANDLE 8" STD.** SL-10, 15, 20 and 25 models	2
17	32873GT	INPUT SHAFT	1
18	32946GT	WINCH W/DECAL,2 SPEED*** (replacement of p/n 32867)	1
19		SERVICE KIT,PINION SHAFT-K1550 (1256081) component no longer available	2
20		GEAR,PINION SHAFT,24 TOOTH (component no longer available)	1
21		GEAR,PINION SHAFT,12 TOOTH (component no longer available)	1
22		RETAINING RING (6200) (not sold separately)	1
23		KEY,WOODRUFF,NO. 403 (component no longer available)	2



306.3 Two Speed Winch

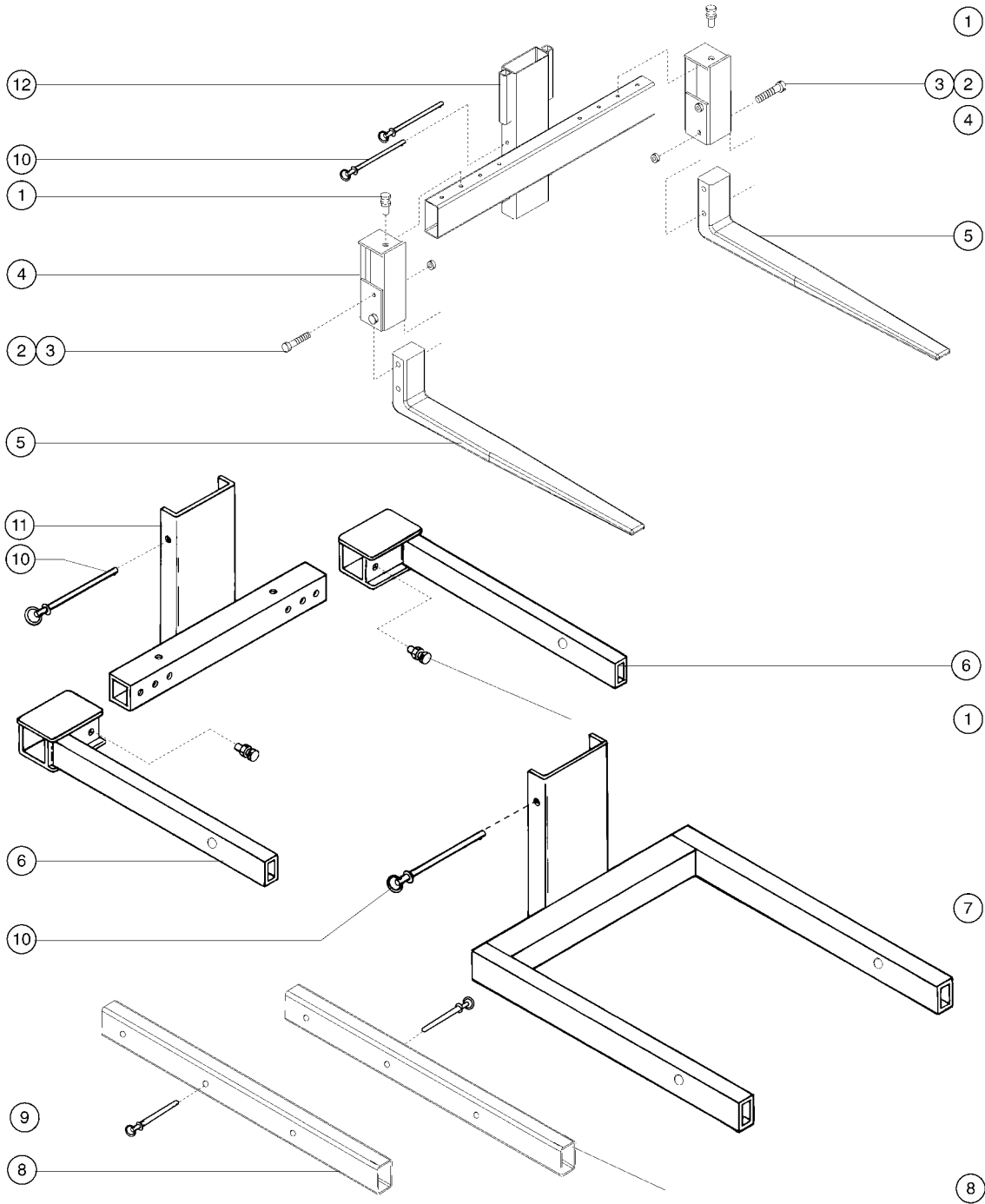


306.3 Two Speed Winch

<i>Item</i>	<i>Part No.</i>	<i>Description</i>	<i>Qty.</i>
24	32872GT	PINION SHAFT	1
25		PINION GEAR AND DISC K-1550 (7590) (not sold separately)	1
26	1256083GT	SVC KIT, FRICTION DISC K/KX	2
27		SERVICE KIT,PINION SHAFT-K1550 (1256081) component no longer available	1
28		SERVICE KIT,PINION SHAFT-K1550 (1256081) component no longer available	1
29	7598GT	WINCH, PINION SPACER,SM,KX1550	1
30	6086GT	NUT,LP NYLOCK,1/2-13	2
31	12460GT	SCREW,HHC,1/2-13 X 6.5	1
32	40117GT	RATCHET PAWL KIT, (33090)	1
33		Ref. Winch Drum (not available as service part)	1



401.1 Load Handling Attachments - Forks

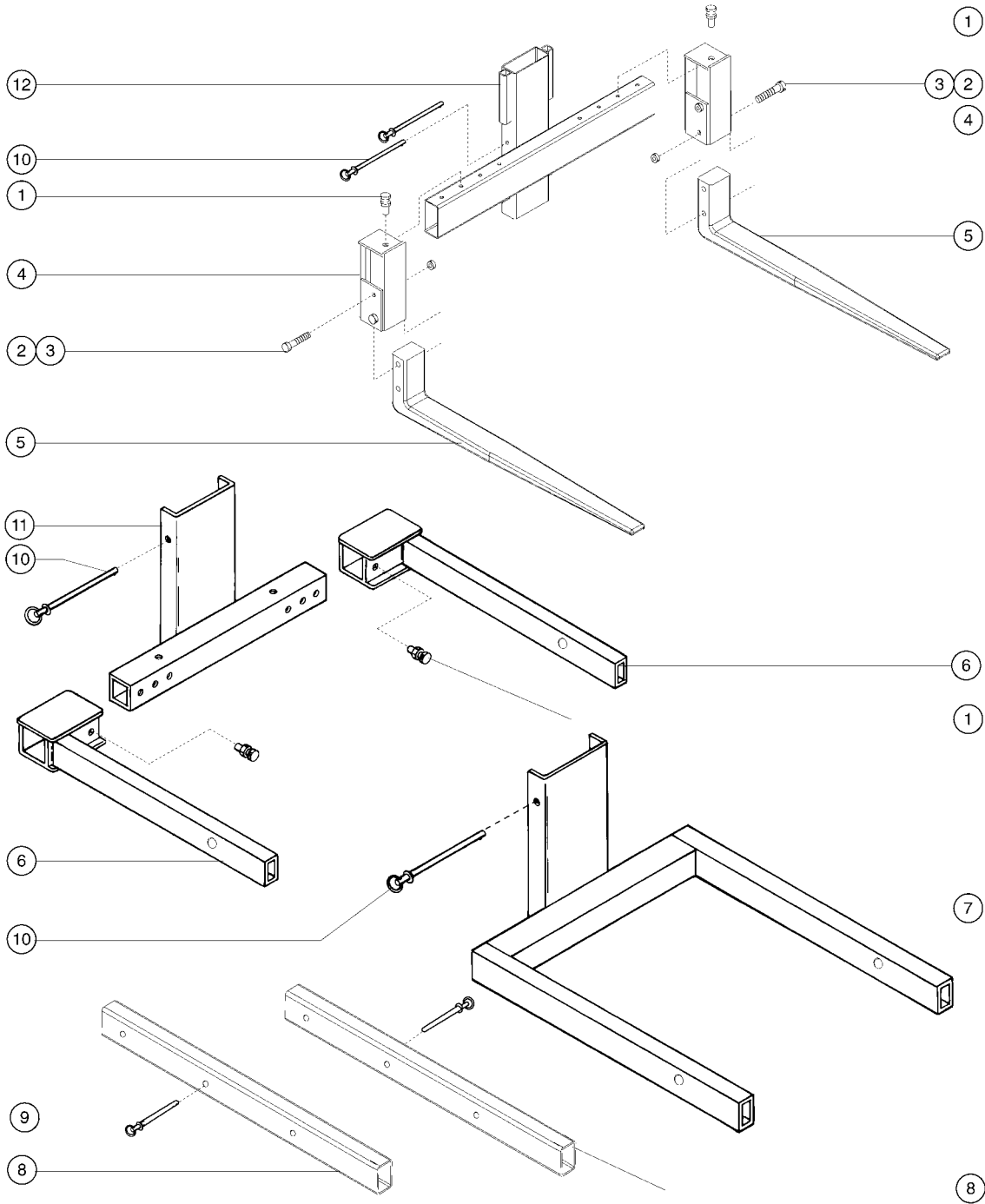


401.1 Load Handling Attachments - Forks

Item	Part No.	Description	Qty.
	32564-SGT	SL ADJUSTABLE FORK ASSEMBLY includes index numbers 1B, 6, 10 and 11	
	32566-SGT	5'10"15 FLAT FORK ASSY includes index numbers 1A, 2-5, 10 and 12; SL-5, 10 and 15 models only	
1A	32375GT	PIN,LOCK,LONG*** 2.25 inches	2
1B	33674GT	PIN,LOCK,SHORT*** 1.35 inches	2
2	8220GT	SCREW,HHC,1/2-13 X 4	4
3	6086GT	NUT,LP NYLOCK,1/2-13	2
4	32541GT	WELDMENT,FLATFORK SOCKET SL-5, 10 and 15 models only	2
5	32539GT	CASTING,FLAT FORK SUPERLIFT 2 SL-5, 10 and 15 models only	2
6	32548-SGT	WELDMENT,ARM ADJ. FORK-"BLUE"	2
7	32906GT	FORK,STANDARD,W/DECAL,SLA2 includes decal	1
8	33366-SGT	FORK EXTENSION, SINGLE*** suggest ordering 80679 pin with each extension	2
9	80679GT	PIN,BALL RET.-.5 X 2.7	2
10	48301GT	PIN,TOGGLE, .50 X 8.13***	3
11	32908GT	CARRIER,FORK,ADJ.W/DECAL,SL2 includes decals	1
12	32907GT	CARRIER,FORK,FLAT W/DECAL,SL2 includes decals; SL-5, 10 and 15 models only	1



401.2 Load Handling Attachments - Forks

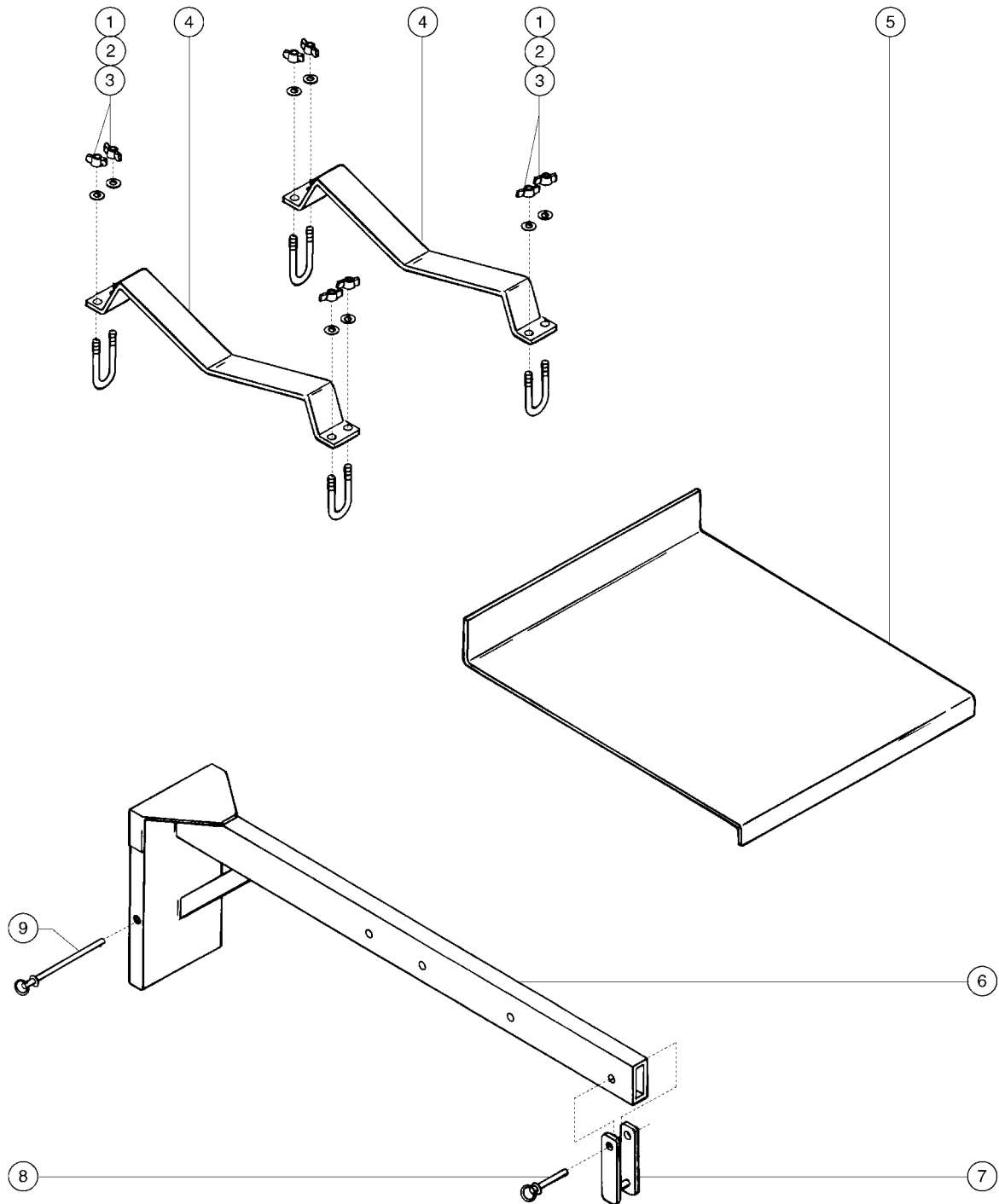


401.2 Load Handling Attachments - Forks

Item	Part No.	Description	Qty.
	32564-SGT	SL ADJUSTABLE FORK ASSEMBLY includes index numbers 1B, 6 , 10 and 11	
	32566-SGT	5'10'15 FLAT FORK ASSY includes index numbers 1A, 2-5, 10 and 12; SL-5, 10 and 15 models only	
1A	32375GT	PIN,LOCK,LONG*** 2.25 inches	2
1B	33674GT	PIN,LOCK,SHORT*** 1.35 inches	2
2	8220GT	SCREW,HHC,1/2-13 X 4	4
3	6086GT	NUT,LP NYLOCK,1/2-13	2
4	32541GT	WELDMENT,FLATFORK SOCKET SL-5, 10 and 15 models only	2
5	32539GT	CASTING,FLAT FORK SUPERLIFT 2 SL-5, 10 and 15 models only	2
6	32548-SGT	WELDMENT,ARM ADJ. FORK-"BLUE"	2
7	32906GT	FORK,STANDARD,W/DECAL,SLA2 includes decal	1
8	33366-SGT	FORK EXTENSION, SINGLE*** suggest ordering 80679 pin with each extension	2
9	80679GT	PIN,BALL RET.-.5 X 2.7	2
10	48301GT	PIN,TOGGLE, .50 X 8.13***	3
11	32908GT	CARRIER,FORK,ADJ.W/DECAL,SL2 includes decals	1
12	32907GT	CARRIER,FORK,FLAT W/DECAL,SL2 includes decals; SL-5, 10 and 15 models only	1



402.1 Load Handling Attachments - Boom, Pipe Cradle and Load Platform

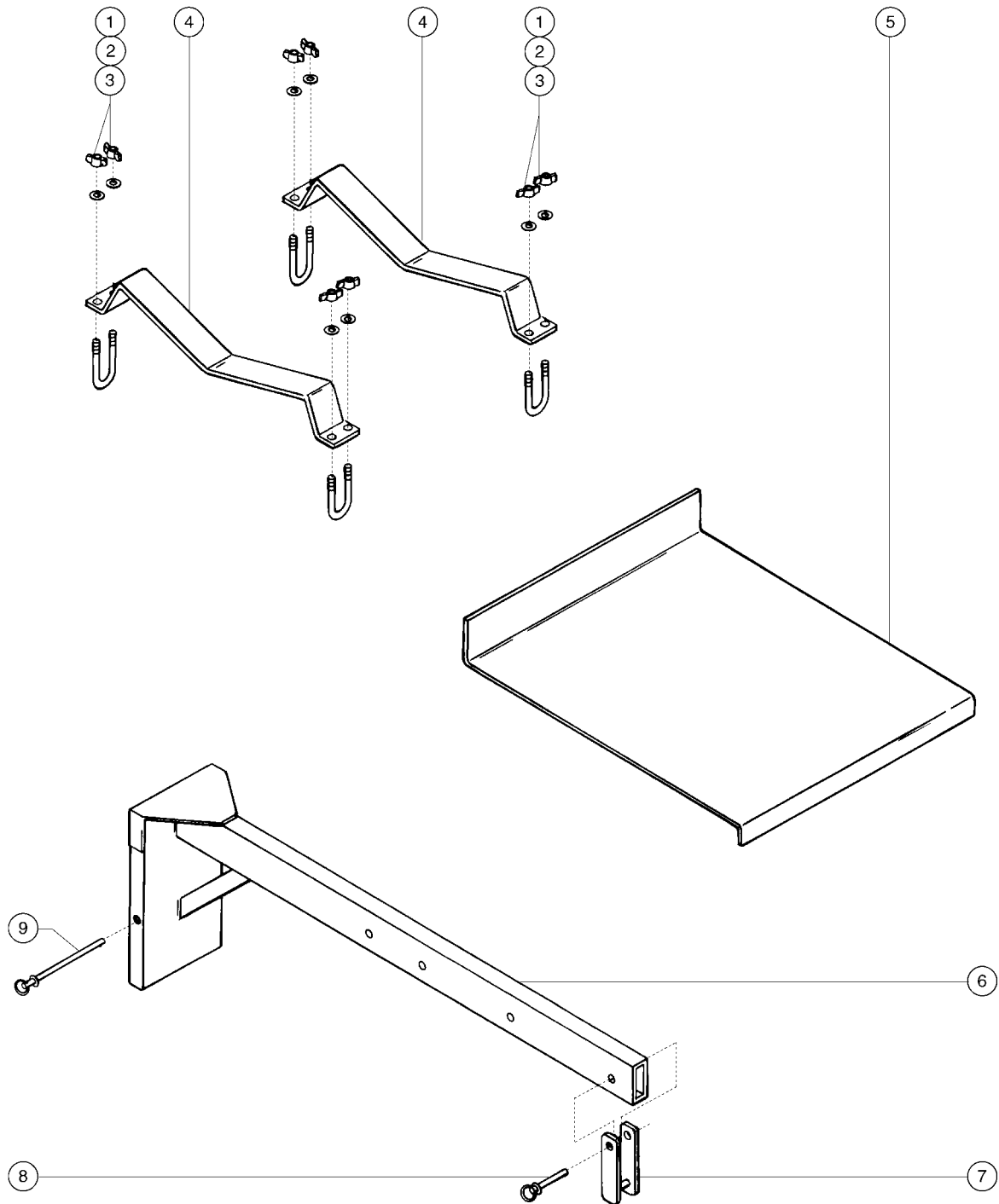


402.1 Load Handling Attachments - Boom, Pipe Cradle and Load Platform

Item	Part No.	Description	Qty.
	32569-SGT	SL/SLC PIPE HOLDER ACCESSORY includes index numbers 1 through 4	
	32568GT	SLA, LOAD PLATFORM ACCESSORY includes index number 5	
	32567-SGT	SLA/SLC STD.BOOM ASSY/SERVICE includes index number 5	
1	8170GT	NUT,WING,1/4-20	8
2	6638GT	WASHER, FLAT, USS, 1/4"Y	8
3	33045GT	U-BOLT,1/4-20 SL2 PIPE CRADLE	4
4	80597GT	PIPE CRADLE, BLUE	2
5	32937GT	LOAD PLATFORM W/DECAL,SLA includes decals	1
6	32567-SGT	SLA/SLC STD.BOOM ASSY/SERVICE includes decals	1
7	32579GT	WELDMENT,CLEVIS STD. BOOM	1
8	80679GT	PIN,BALL RET.-.5 X 2.7	1
9	48301GT	PIN,TOGGLE,.50 X 8.13***	1



402.2 Load Handling Attachments - Boom, Pipe Cradle and Load Platform

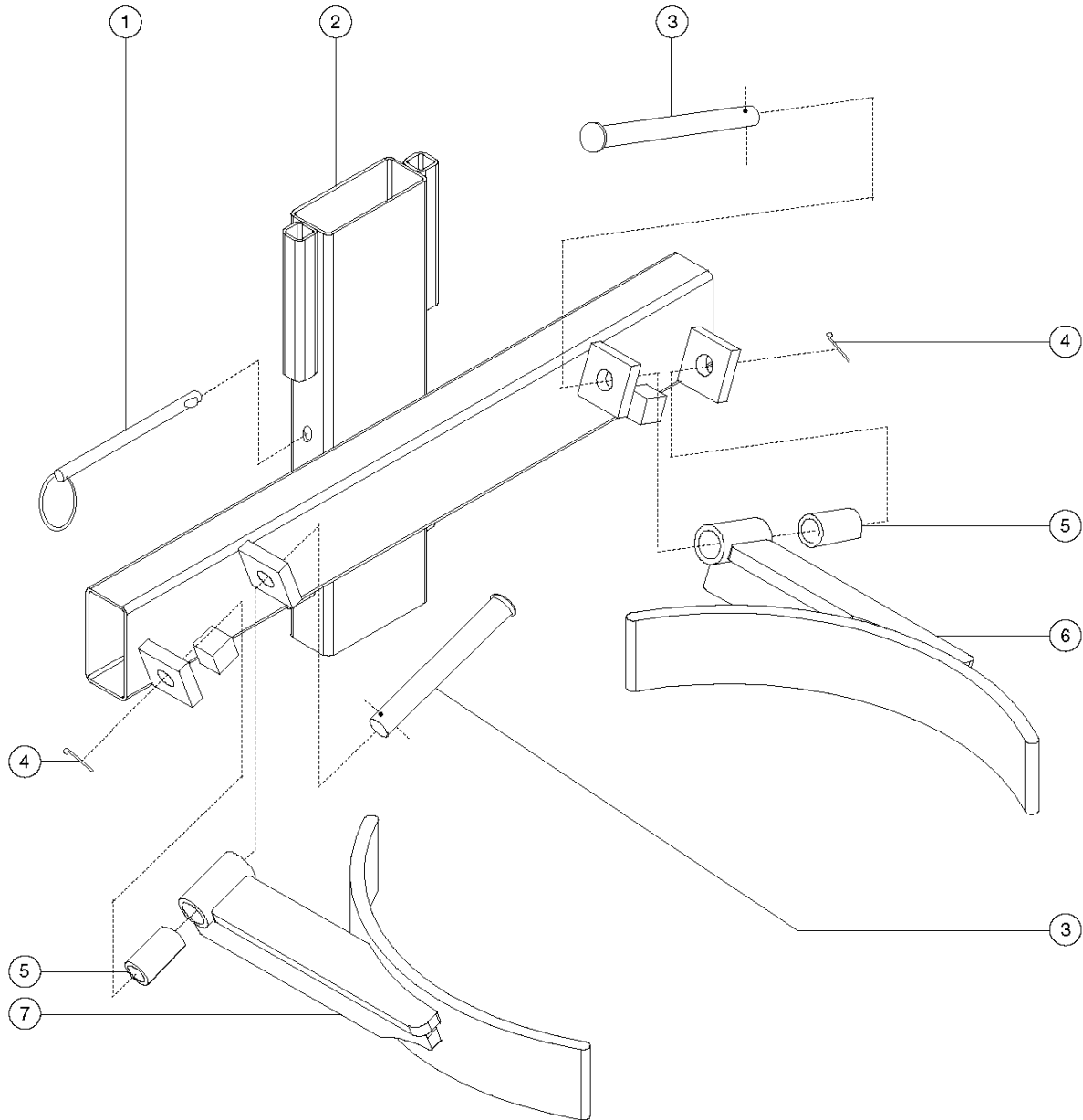


402.2 Load Handling Attachments - Boom, Pipe Cradle and Load Platform

Item	Part No.	Description	Qty.
	32569-SGT	SL/SLC PIPE HOLDER ACCESSORY includes index numbers 1 through 4	
	32568GT	SLA, LOAD PLATFORM ACCESSORY includes index number 5	
	32567-SGT	SLA/SLC STD.BOOM ASSY/SERVICE includes index number 5	
1	8170GT	NUT,WING,1/4-20	8
2	6638GT	WASHER, FLAT, USS, 1/4"Y	8
3	33045GT	U-BOLT,1/4-20 SL2 PIPE CRADLE	4
4	80597GT	PIPE CRADLE, BLUE	2
5	32937GT	LOAD PLATFORM W/DECAL,SLA includes decals	1
6	32567-SGT	SLA/SLC STD.BOOM ASSY/SERVICE includes decals	1
7	32579GT	WELDMENT,CLEVIS STD. BOOM	1
8	80679GT	PIN,BALL RET.-.5 X 2.7	1
9	48301GT	PIN,TOGGLE,.50 X 8.13***	1



403.1 Load Handling Attachment - Vertical Barrel Stacker

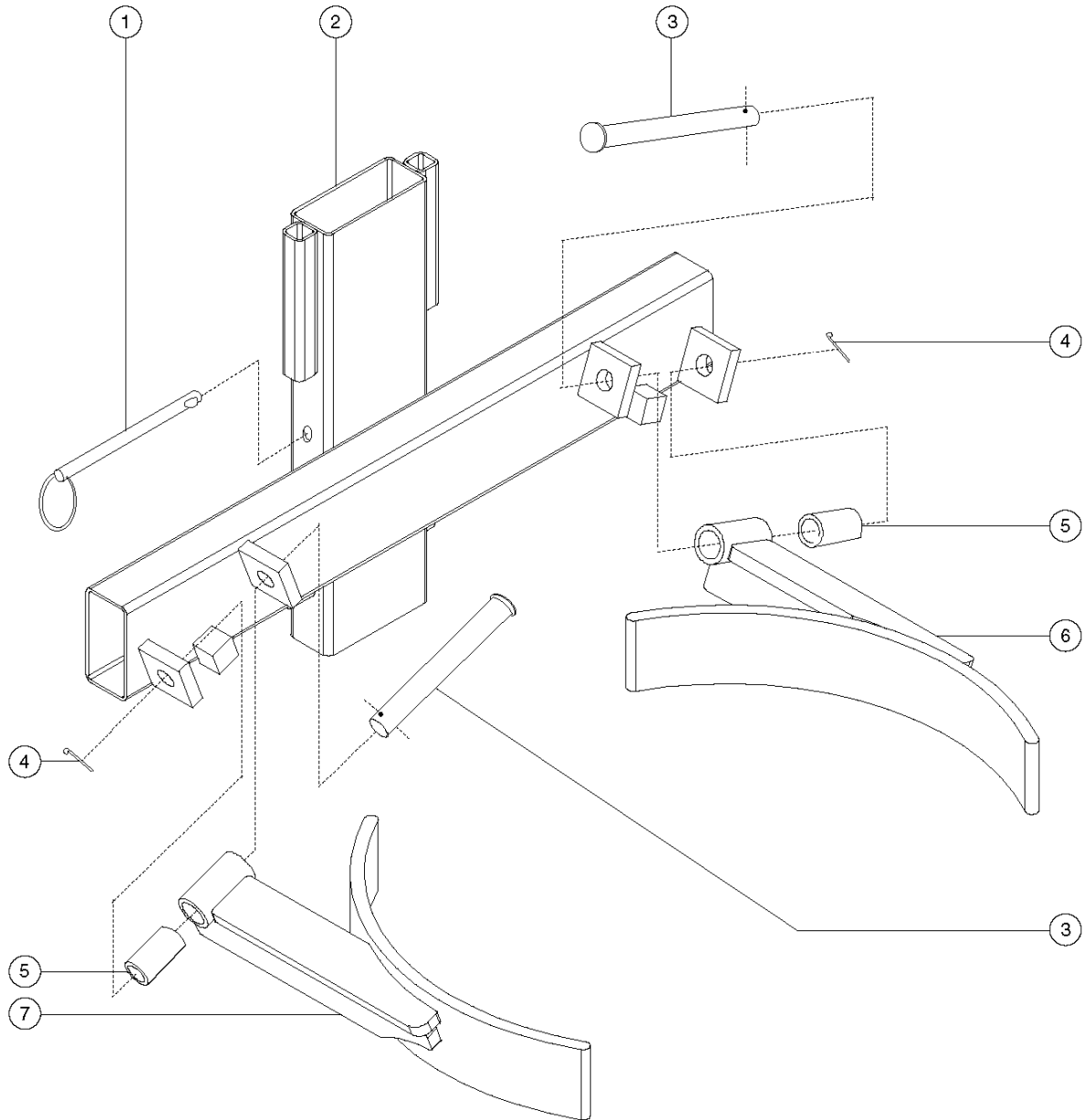


403.1 Load Handling Attachment - Vertical Barrel Stacker

Item	Part No.	Description	Qty.
	32570GT	SL 5,10,15 BARREL STACKER SL-5, 10 and 15 models only	
1	48301GT	PIN,TOGGLE,.50 X 8.13***	1
2	32909GT	DECAL,OPERATING INSTRUCT,ST2 includes decals; SL-5, 10 and 15 models only	1
3	33126GT	PIN,CLEVIS,1 X 6 LG.	2
4	33247GT	PIN,COTTER,.188 X 1.75 LONG	4
5	33217GT	BUSHING,SLEEVE,1.0 X 1.25 X2.5	2
6	32911GT	ARM,LIFT,BAR.STKR,LH,SL2 includes 1 each index number 5; SL-5, 10 and 15 models only	1
7	32910GT	ARM,LIFTING,BAR.STKR,RH,SL2 includes 1 each index number 5; SL-5, 10 and 15 models only	1



403.2 Load Handling Attachment - Vertical Barrel Stacker

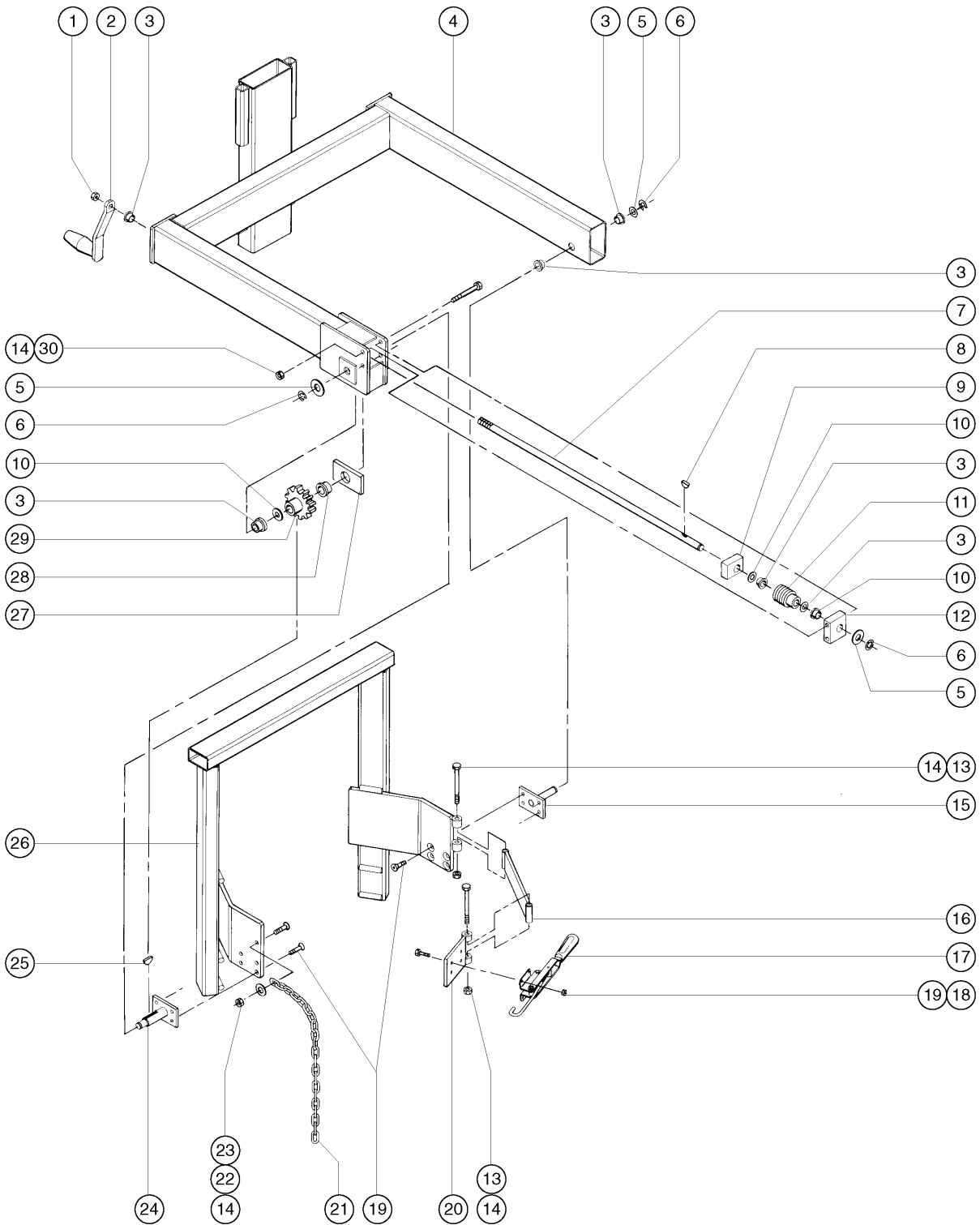


403.2 Load Handling Attachment - Vertical Barrel Stacker

Item	Part No.	Description	Qty.
	32570GT	SL 5,10,15 BARREL STACKER SL-5, 10 and 15 models only	
1	48301GT	PIN,TOGGLE,.50 X 8.13***	1
2	32909GT	DECAL,OPERATING INSTRUCT,ST2 includes decals; SL-5, 10 and 15 models only	1
3	33126GT	PIN,CLEVIS,1 X 6 LG.	2
4	33247GT	PIN,COTTER,.188 X 1.75 LONG	4
5	33217GT	BUSHING,SLEEVE,1.0 X 1.25 X2.5	2
6	32911GT	ARM,LIFT,BAR.STKR,LH,SL2 includes 1 each index number 5; SL-5, 10 and 15 models only	1
7	32910GT	ARM,LIFTING,BAR.STKR,RH,SL2 includes 1 each index number 5; SL-5, 10 and 15 models only	1



404.1 Load Handling Attachment - Rotating Barrel Handler

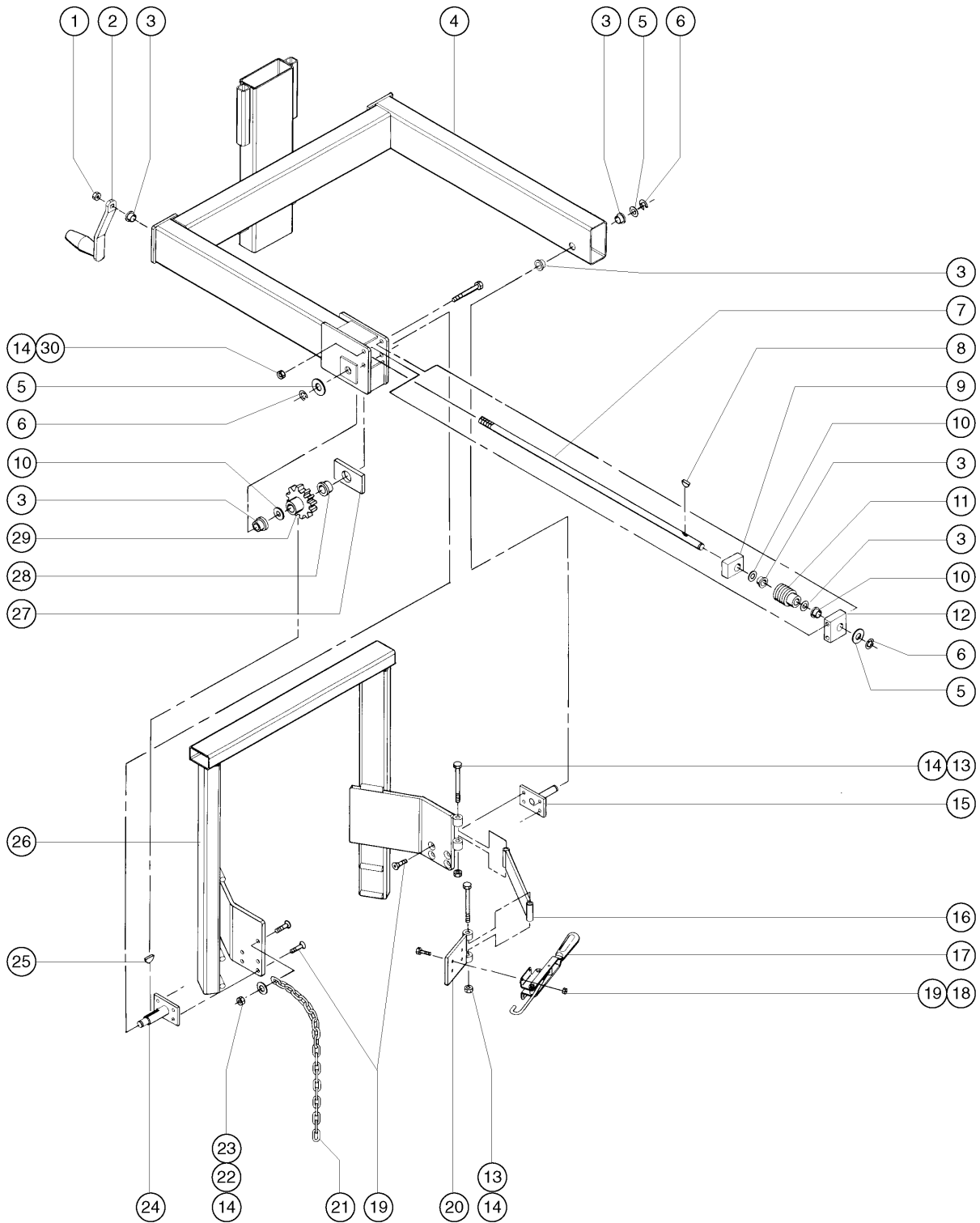


404.1 Load Handling Attachment - Rotating Barrel Handler

Item	Part No.	Description	Qty.
	32571GT	SL 5,10,15 BARREL HANDLER SL-5, 10 and 15 models only	
1	6198GT	NUT, NYLOCK, 1/2-13	1
2	33143GT	WINCH HANDLE 6" STD.	1
3	33187GT	BUSHING,SLEEVE,.675 X .75 X .5	6
4	33814GT	WELDMENT,BARREL HANDLER **	1
5	6898GT	WASHER,SHIM,.625 X 1.188X.064	3
6		RING,RETAINER,EXT,.625 SHAFT (component no longer available)	3
7	33096GT	SHAFT,CRANK BARREL HANDLER	1
8	33223GT	KEY,WOODRUFF 3/16 X 3/4	1
9		BLOCK, CRANK SHAFT (component no longer available)	1
10	6563GT	WASHER,SHIM,.75 X 1.125 X.030	3
11		WORM,10 PITCH SL2%% (component no longer available)	1
12		BLOCK MOUNTING CRANK SHAFT (component no longer available)	1
13	6605GT	SCREW,HHC,3/8-16 X 3.5,GR5	2
14	7713GT	NUT, LP NYLOCK, 3/8-16	5
15	33118GT	WELDMENT,PIVOT BARREL BRKT	1
16		STRAP ASSY BARREL HANDLER (component no longer available)	1
17		STRAP ASSY BARREL HANDLER (component no longer available)	1
18	6002GT	NUT, LP NYLOCK, 5/16-18	4
19		SCREW,FHS,5/16-18 X.75 (component no longer available)	12
20		STRAP ASSY BARREL HANDLER (component no longer available)	1
21		STRAP ASSY BARREL HANDLER (component no longer available)	1
22	6097GT	WASHER,FLAT,USS,3/8",Y	1
23	16439GT	SCREW,FHS,3/8-16 X 1	1
24	33117GT	WELDMENT,DRIVE SHAFT BRACKET	1
25	28986-125GT	KEYSTOCK,STL .188	1
26		WELDMENT,BARREL CRADEL No longer available	1
27		PLATE,SUPPORT DRIVE GEAR (component no longer available)	1



404.1 Load Handling Attachment - Rotating Barrel Handler

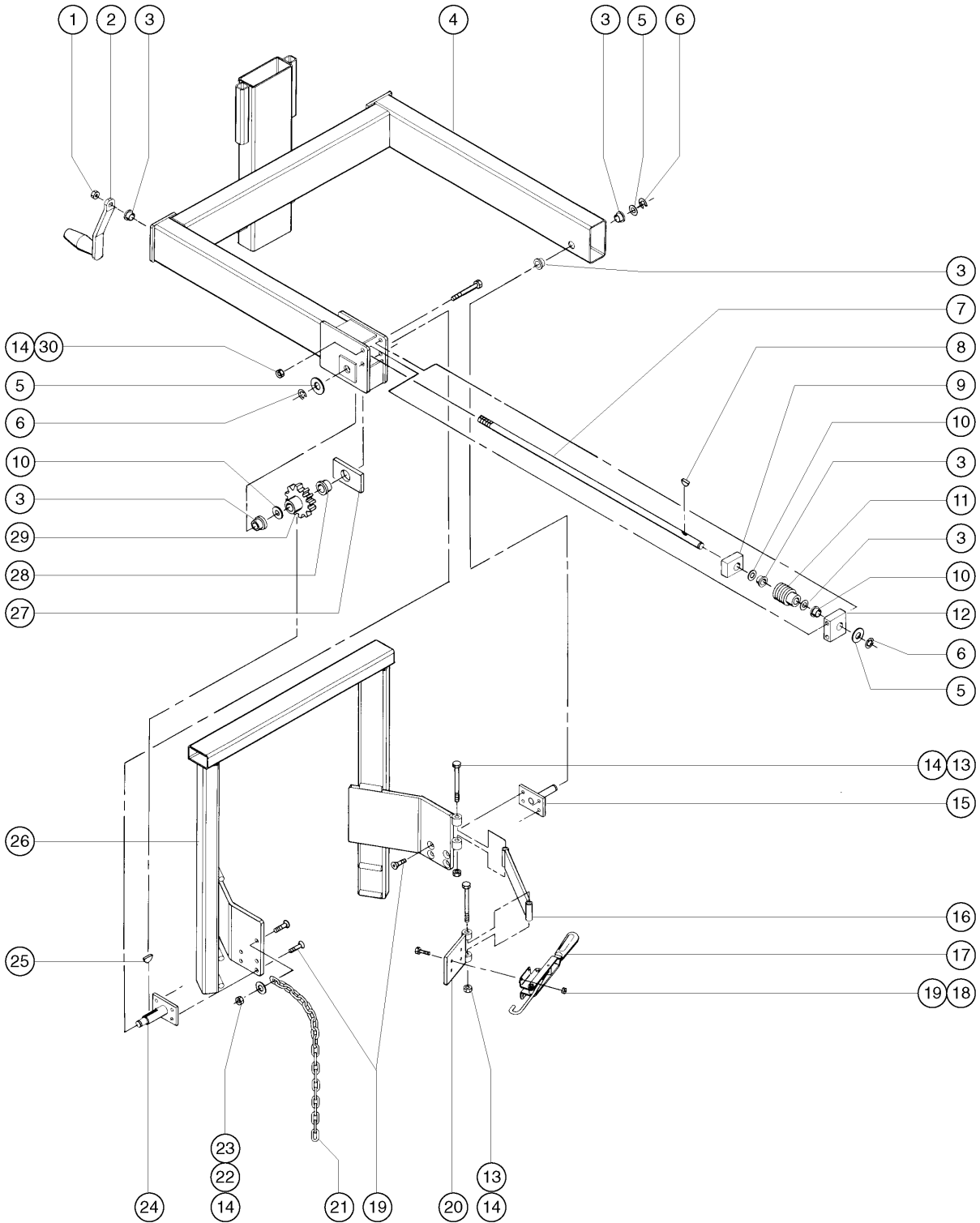


404.1 Load Handling Attachment - Rotating Barrel Handler

<i>Item</i>	<i>Part No.</i>	<i>Description</i>	<i>Qty.</i>
28	33218GT	BUSHING,FLANGE,BRONZE.875 X 1	1
29		WORM GEAR 10 PITCH SL2 (component no longer available)	1
30	6326GT	SCREW,HHC,3/8-16 X 3	2



404.2 Load Handling Attachment - Rotating Barrel Handler

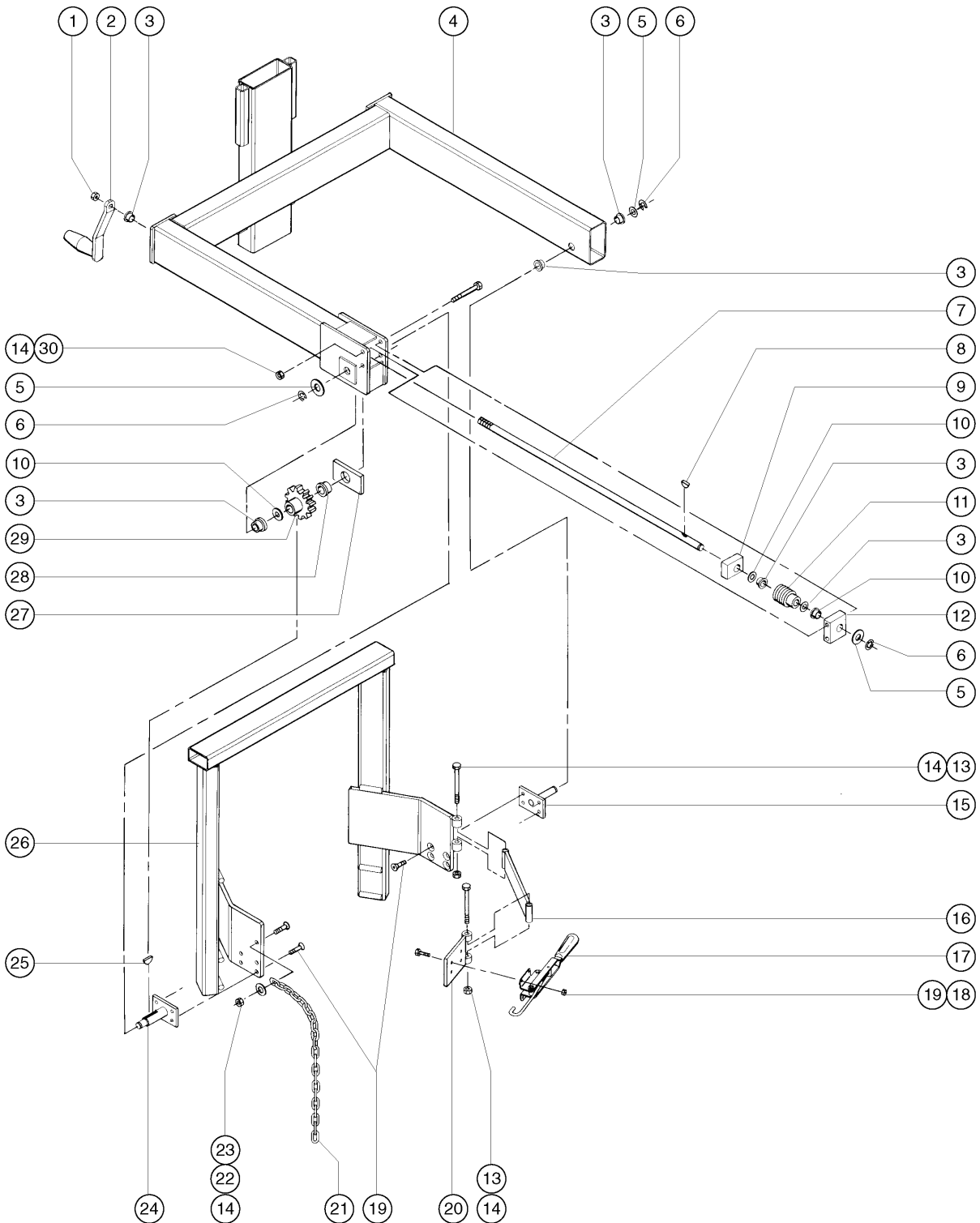


404.2 Load Handling Attachment - Rotating Barrel Handler

Item	Part No.	Description	Qty.
	32571GT	SL 5,10,15 BARREL HANDLER SL-5, 10 and 15 models only	
1	6198GT	NUT, NYLOCK, 1/2-13	1
2	33143GT	WINCH HANDLE 6" STD.	1
3	33187GT	BUSHING,SLEEVE,.675 X .75 X .5	6
4	33814GT	WELDMENT,BARREL HANDLER **	1
5	6898GT	WASHER,SHIM,.625 X 1.188X.064	3
6		RING,RETAINER,EXT,.625 SHAFT (component no longer available)	3
7	33096GT	SHAFT,CRANK BARREL HANDLER	1
8	33223GT	KEY,WOODRUFF 3/16 X 3/4	1
9		BLOCK, CRANK SHAFT (component no longer available)	1
10	6563GT	WASHER,SHIM,.75 X 1.125 X.030	3
11		WORM,10 PITCH SL2%% (component no longer available)	1
12	33113GT	BLOCK MOUNTING CRANK SHAFT (component no longer available)	1
13	6605GT	SCREW,HHC,3/8-16 X 3.5,GR5	2
14	7713GT	NUT, LP NYLOCK, 3/8-16	5
15	33118GT	WELDMENT,PIVOT BARREL BRKT	1
16		STRAP ASSY BARREL HANDLER (component no longer available)	1
17		STRAP ASSY BARREL HANDLER (component no longer available)	1
18	6002GT	NUT, LP NYLOCK, 5/16-18	4
19		SCREW,FHS,5/16-18 X.75 (component no longer available)	12
20		STRAP ASSY BARREL HANDLER (component no longer available)	1
21		STRAP ASSY BARREL HANDLER (component no longer available)	1
22	6097GT	WASHER,FLAT,USS,3/8",Y	1
23	16439GT	SCREW,FHS,3/8-16 X 1	1
24	33117GT	WELDMENT,DRIVE SHAFT BRACKET	1
25	28986-125GT	KEYSTOCK,STL .188	1
26		WELDMENT,BARREL CRADEL No longer available	1
27	33120GT	PLATE,SUPPORT DRIVE GEAR (component no longer available)	1



404.2 Load Handling Attachment - Rotating Barrel Handler



404.2 Load Handling Attachment - Rotating Barrel Handler

<i>Item</i>	<i>Part No.</i>	<i>Description</i>	<i>Qty.</i>
28	33218GT	BUSHING,FLANGE,BRONZE.875 X 1	1
29		WORM GEAR 10 PITCH SL2 (component no longer available)	1
30	6326GT	SCREW,HHC,3/8-16 X 3	2



<u>Part no.</u>	<u>Page Number</u>	<u>Part no.</u>	<u>Page Number</u>	<u>Part no.</u>	<u>Page Number</u>
1484GT	9, 11, 13	11337GT	19	32566-SGT	71, 73
2163GT	19, 21	12012GT	59, 61	32567-SGT	75, 77
2238GT	19, 21	12013GT	35, 37, 39, 41	32568GT	75, 77
4828GT	17, 21, 25, 27, 29, 31...	12402GT	43, 45, 47, 51, 55	32569-SGT	75, 77
5224GT	19	12460GT	65, 69	32570GT	79, 81
6002GT	83, 87	16439GT	83, 87	32571GT	83, 87
6019GT	21, 25, 27, 29, 31, 33...	17712GT	35, 37, 39, 41	32576GT	19
6033GT	19	23270GT	19	32578GT	19
6034GT	59, 61	28986-125GT	83, 87	32579GT	75, 77
6035GT	19	30748GT	17, 23	32670GT	41
6052GT	35, 37, 39, 41, 47, 51...	31072GT	9, 11, 13	32686GT	9, 11, 13
6086GT	17, 21, 35, 37, 39, 41...	32150GT	9, 11, 13	32687GT	15
6095GT	35, 37, 39, 41, 43, 45	32302GT	25, 27, 33	32688GT	9, 11, 13
6097GT	17, 47, 51, 55, 83, 87	32375GT	25, 27, 29, 31, 33, 71...	32689GT	9, 11, 13
6175GT	17, 21, 25, 27, 29, 31...	32469GT	47, 51, 55	32690GT	9, 11, 13
6184GT	59, 61	32470GT	47, 51, 55	32691GT	9, 11, 13
6185GT	59, 61	32471PGT	47, 51, 55	32692GT	9, 11, 13
6190GT	59, 61, 63, 67	32473GT	35, 37, 39, 41, 43, 45	32693GT	9, 11, 13
6198GT	35, 37, 39, 41, 43, 45...	32474GT	35, 37, 39, 41, 43, 45	32714GT	15
6326GT	85, 89	32475GT	35, 37, 39, 41, 43, 45	32715GRGT	15
6443GT	43, 45, 47, 51, 55	32476GT	47, 51, 55	32715GT	15
6444GT	43, 45, 47, 51, 55	32481GT	35, 37, 39, 41	32715SPGT	15
6563GT	83, 87	32482GT	25, 27, 29, 31, 33	32716GT	15
6564GT	25, 27, 29, 31, 33	32483GT	47, 51, 55	32717GT	15
6600GT	25, 27, 29, 31, 33	32486GT	17, 21	32718GT	15
6605GT	83, 87	32489-SGT	17	32770GT	9, 11, 13
6638GT	25, 27, 29, 31, 33, 35...	32495GT	17, 23	32771GT	15
6653GT	25, 27, 29, 31, 33	32499GT	17, 23	32772GT	15
6724GT	9	32502PGT	17	32773GT	15
6770GT	59, 61	32509GT	17, 21	32774GT	15
6898GT	83, 87	32519GT	19	32775GT	15
7256GT	59, 61	32522GT	35, 37, 39, 41	32776GT	63, 67
7265GT	25, 27, 29, 31, 33	32524GT	17, 23	32777GT	63, 67
7598GT	65, 69	32527GT	21	32779GT	63, 67
7713GT	83, 87	32529GT	21	32780GT	63, 67
8170GT	75, 77	32531GT	23	32859GT	63, 67
8220GT	71, 73	32532GT	21	32860GT	67
8255GT	47, 51, 55	32539GT	71, 73	32865GT	63, 67
8516GT	17	32541GT	71, 73	32866GT	63, 67
10587GT	43, 45	32548-SGT	71, 73	32872GT	65, 69
10597GT	47, 51, 55	32562GT	17, 21	32873GT	63, 67
10598GT	19	32564-SGT	71, 73	32879GT	17, 21



<u>Part no.</u>	<u>Page Number</u>	<u>Part no.</u>	<u>Page Number</u>	<u>Part no.</u>	<u>Page Number</u>
32880GT	17, 21	33251GT	21	80171-SGT	17
32881GT	17, 21	33252GT	35, 37, 39, 41	80172-SGT	17
32882GT	19	33298GT	19, 21	80173-SGT	17
32883GT	17, 21	33366-SGT	71, 73	80174-SGT	17
32884GT	17, 21	33499GT	25, 27, 29, 31, 33	80175-SGT	17
32885GT	9, 11, 13	33523GT	9, 11, 13	80597GT	75, 77
32888GT	25, 27, 33, 63, 67	33539GT	27, 29, 31	80679GT	19, 21, 71, 73, 75, 77
32894GT	47, 49	33670GT	19	80680GT	55
32895GT	49	33674GT	71, 73	80939GT	13
32896GT	49	33744GT	35, 37, 41	80987GT	43, 45
32897GT	19	33771GT	35, 37, 41	90337GT	35, 39
32903GT	43, 45, 47, 51, 55	33777GT	47, 51	100309GT	19, 21
32904GT	43, 45, 47, 51, 55	33811GT	35, 37, 39, 41	235184GT	25, 27, 29, 31, 33
32905GT	43, 45, 47, 51, 55	33814GT	83, 87	1256083GT	59, 61, 65, 69
32906GT	71, 73	35064GT	17, 21	1293206GT	47, 51, 55
32907GT	71, 73	35100GT	39		
32908GT	71, 73	35101GT	35, 37, 39, 41		
32909GT	79, 81	35475GT	47		
32910GT	79, 81	35482GT	49, 53		
32911GT	79, 81	35486GT	49, 53		
32935GT	25, 27, 33	35488GT	49, 53		
32937GT	75, 77	35807GT	63, 67		
32938GT	9, 11, 13	35819GT	27, 29, 31, 33		
32939GT	9, 11, 13	35848GT	17, 21		
32945GT	59, 61	37202GT	25, 27, 29, 31, 33		
32946GT	63, 67	40117GT	65, 69		
33045GT	75, 77	40255GT	21		
33047GT	17, 21	40458GT	59, 61		
33096GT	83, 87	48301GT	71, 73, 75, 77, 79, 81		
33113GT	87	52701GT	43, 45, 47, 51, 55		
33117GT	83, 87	57032-SGT	51, 53, 55		
33118GT	83, 87	57033-SGT	53, 55, 57		
33120GT	87	57034GT	53, 57		
33126GT	79, 81	57035GT	53, 57		
33143GT	59, 61, 63, 67, 83, 87	57736GT	17, 21		
33144GT	59, 61, 63, 67	57740GT	19, 23		
33148GT	21	57747GT	19		
33187GT	83, 87	57788GT	25, 27, 29, 31, 33		
33217GT	79, 81	58094GT	19		
33218GT	85, 89	58095GT	37, 39, 41		
33223GT	83, 87	58750GT	37, 39, 41		
33247GT	79, 81	80162GT	27, 31, 33		



California Proposition 65

 **WARNING**

Operating, servicing and maintaining this equipment, passenger vehicle or off-highway motor vehicle can expose you to chemicals including engine exhaust, carbon monoxide, phthalates, and lead, which are known to the State of California to cause cancer and birth defects or other reproductive harm. These chemicals can be emitted from or contained in other various parts and systems, fluids and some component wear by-products. To minimize exposure, avoid breathing exhaust, do not idle the engine except as necessary, service your equipment and vehicle in a well-ventilated area and wear gloves or wash your hands frequently when servicing your equipment or vehicle and after operation. For more information go to www.P65Warnings.ca.gov/passenger-vehicle.

Breathing diesel engine exhaust exposes you to chemicals known to the State of California to cause cancer and birth defects or other reproductive harm.

- Always start and operate the engine in a well-ventilated area.
- If in an enclosed area, vent the exhaust to the outside.
- Do not modify or tamper with the exhaust system.
- Do not idle the engine except as necessary.

For more information go to www.P65warnings.ca.gov/diesel.

www.genielift.com

Distributed By: