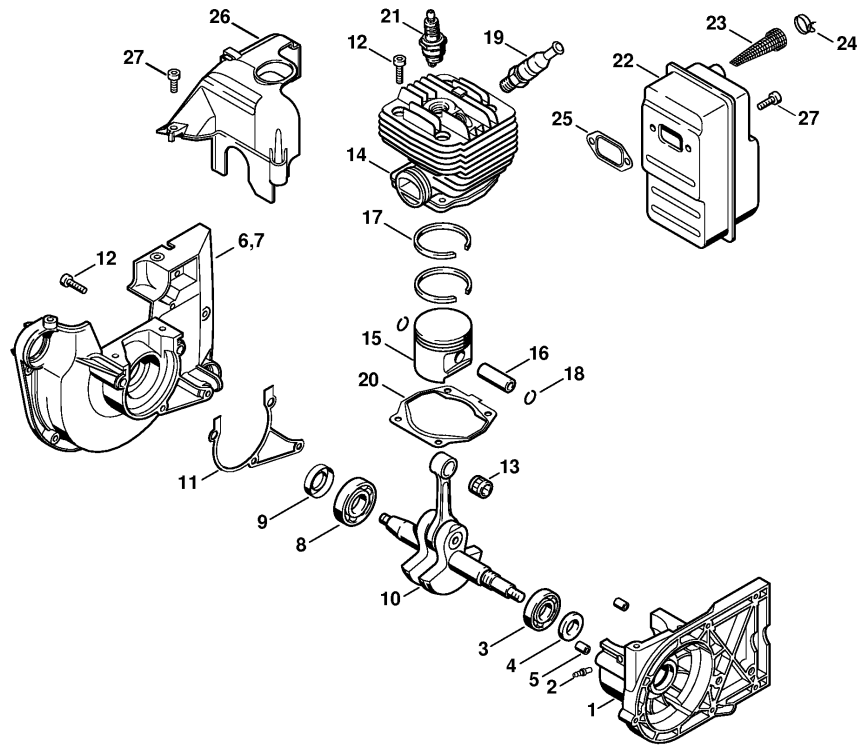


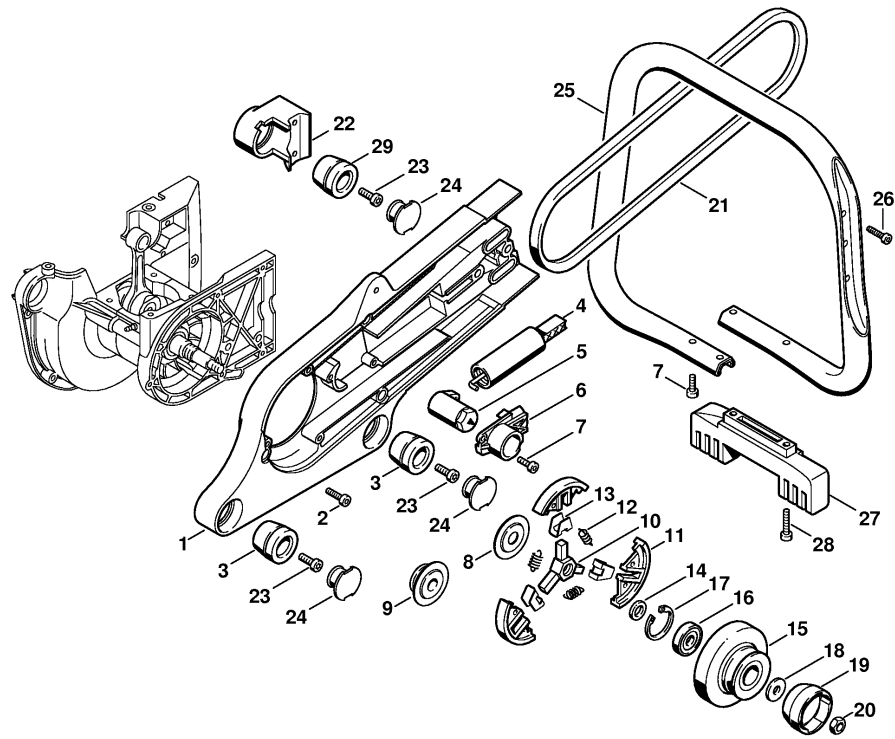
Drawing A Crankcase



338ET038 SC

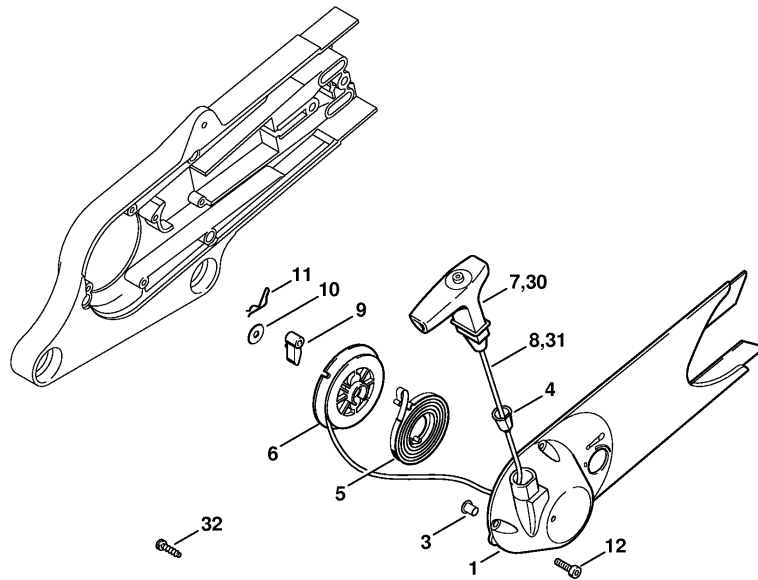
Drawing A Crankcase

Reference	Item number	Qty	Description
1	4223 020 2900	1	Crankcase □ 2 - 5
2	0000 988 5211	1	Connector
3	9503 003 0341	1	Grooved ball bearing 6202
4	9640 003 1570	1	Oil seal 15x24x7
5	0000 988 8600	2	Sleeve
6	4223 020 2601	1	Crankcase □ 8, 9
7	* 4223 020 2600	1	Crankcase → 1 54 117 859 (02.2002) □ 8, 9
8	9503 003 0450	1	Grooved ball bearing 6203
9	9640 003 1745	1	Oil seal 17x28x7
10	4223 030 0400	1	Crankshaft (25.2005)
11	4223 029 0500	1	Gasket
12	9022 371 1020	8	Spline screw IS-M5x20
13	9512 003 2340	1	Needle cage 10x14x13
14	4223 020 1200	1	Cylinder with piston Ø 49 mm □ 15 - 18
15	4223 030 2000	1	Piston Ø 49 mm □ 16 - 18
16	1110 034 1500	1	Piston pin 10x6x32
17	1127 034 3006	2	Piston ring Ø 49x1.5 mm
18	9463 650 1000	1	Snap ring 10
19	4223 020 9400	1	Decompression valve
20	4223 029 2301	1	Cylinder gasket
21	1110 400 7005	1	Spark plug Bosch WSR 6 F
21	0000 400 7000	1	Spark plug NGK BPMR7A
22	4223 140 0601	1	Muffler □ 23, 24
23	4223 141 9000	1	Screen
24	4223 141 6600	1	Clip
25	1125 149 0601	1	Muffler gasket
26	*	1	Air guide shroud (C) (53.2007)
27	9022 371 1020	6	Spline screw IS-M5x20
	4223 007 1050	1	Set of gaskets □ 4, 9, 11, 20, 25



338E1043 SC

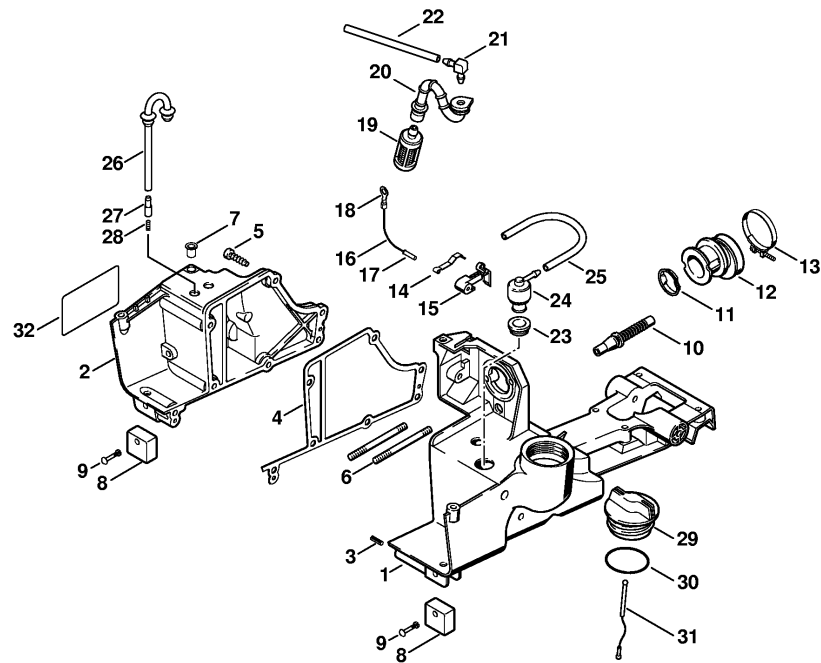
Reference	Item number	Qty	Description
1	4223 701 0200	1	Cast arm
2	9022 371 1020	5	Spline screw IS-M5x20
3	1125 790 9906	2	Annular buffer 1125/06
4	4221 660 0400	1	Belt tensioner
5	4221 664 2100	1	Clamping lever
6	4221 664 4200	1	Cover
7	9022 341 0980	4	Spline screw IS-M5x16
8	4223 162 1000	1	Cover washer
9	4223 160 3000	1	Cover washer (B)
10	1125 160 2005	1	Clutch □ 11 - 13
11	1128 162 0806	3	Clutch shoe
12	0000 997 5815	3	Tension spring
13	1128 162 3000	3	Retainer
14	0000 961 1003	1	Ring
15	4223 700 2500	1	V-belt pulley □ 16, 17
16	9503 003 6310	1	Grooved ball bearing 6200-2RS
17	9456 621 3310	1	Circlip 30x1.2
18	0000 958 0824	1	Washer
19	4223 195 0600	1	Starter cup
20	9210 261 1140	1	Hexagon nut M8x1
21	9490 000 7851	1	Narrow V-belt 10/6x859LW
22	4223 791 1900	1	Handlebar support
23	9022 341 1280	3	Spline screw IS-M6x16
24	1125 791 7306	3	Plug
25	4223 790 1750	1	Handlebar □ 26
26	9074 478 4435	2	Pan head self-tapping screw IS-P6x19
27	4223 791 7600	1	Support
28	9022 371 1050	2	Spline screw IS-M5x25
29	1125 790 9906	1	Annular buffer 1125/06



338ET027 GM

Reference	Item number	Qty	Description
	4223 190 0401	1	Starter cover with rewind starter □ 1 - 11
1	4223 190 0411	1	Starter cover □ 3, 4
3	9443 825 7130	3	Hollow rivet 7.5x1x6.8
3	* 9416 868 6630	3	Hollow rivet 6.5x0.5x6.8
4	1110 084 9102	1	Bushing
5	4223 190 0600	1	Rewind spring
6	4223 190 1001	1	Rope rotor
7	0000 190 3414	1	Starter grip ElastoStart Ø 4.5 mm □ 8
8	0000 190 2901	1	Starter rope Ø 4.5 mm
	0000 930 2295	1	Starter rope Ø 4.5mm / 28 pieces (A,B)
9	4116 195 7200	1	Pawl
10	0000 958 0923	1	Washer
11	1118 195 3500	1	Spring
12	9022 371 1020	3	Spline screw IS-M5x20
30	* 1128 190 3400	1	Starter grip ElastoStart Ø 3,5 mm → X 38 430 817 (04.1998) □ 31
31	* 1128 190 2900	1	Starter rope Ø 3,5 mm → X 38 430 817 (04.1998)
	* 0000 930 2267	1	Starter rope Ø 3,5 mm / 28 pieces (A,B) → X 38 430 817 (04.1998)
32	* 4223 084 5600	1	Screw → X 38 430 817 (04.1998)

Drawing D Tank housing

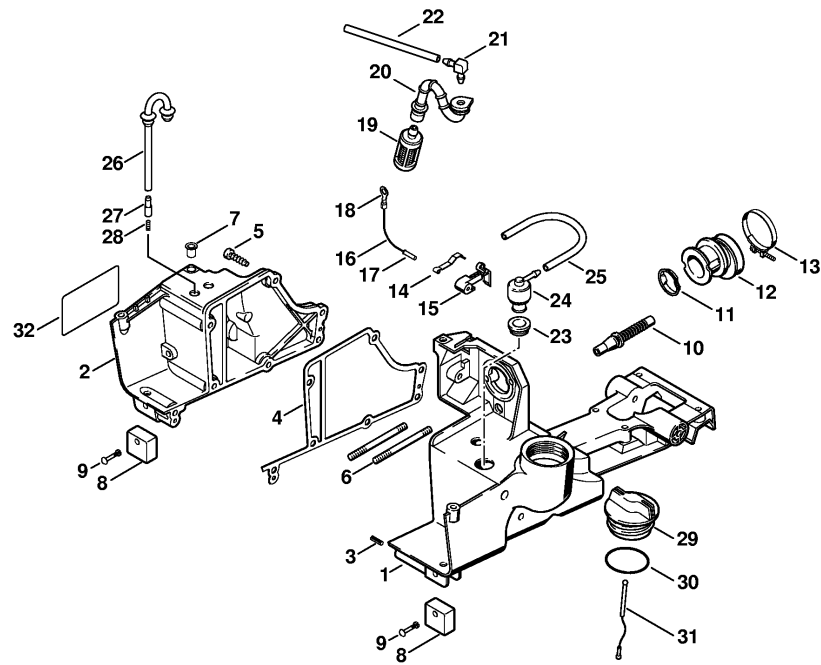


338ET047 SC

Drawing D Tank housing

Reference	Item number	Qty	Description
1	4223 350 0804	1	Tank housing □ 2 - 10, 19 - 31
2	4223 350 0805	1	Tank housing, left
3	9386 620 1680	2	Roll pin 3x12
4	4223 359 0701	1	Gasket
5	9075 478 4155	7	Pan head self-tapping screw IS-D5x24
6	9121 319 1120	2	Stud M5x55
7	9416 868 6531	1	Hollow rivet 6.5x0.5x6.8
8	4223 792 9300	2	Rubber buffer
9	4223 792 2300	2	Pin
10	4223 141 8600	1	Impulse hose
11	1122 141 1805	1	Sleeve
12	4223 141 2200	1	Manifold
13	9771 021 2620	1	Hose clip Ø 36x5
14	4223 442 1600	1	Contact spring
15	4223 435 6005	1	Support
16	4223 440 2200	1	Ground wire □ 17, 18
17	1110 442 7000	1	Contact sleeve (C)
18	0751 030 8969	1	Terminal socket A5-1.5 (C)
19	0000 350 3500	1	Pickup body
	4223 350 3601	1	Set hose / elbow connector □ 20 - 22
20	4223 358 7701	1	Hose
21	4224 122 3900	1	Elbow connector
22	0000 930 2803	1	Hose 3.1x5.7 mm x 1 m, R3 (A,B)
	0712 923 8004	1	Hose 3.1x5.7 mm x 10 m, R3 (A,B)
23	4223 353 9201	1	Grommet
24	4223 350 5803	1	Tank vent
25		1	Hose 3.1x5.7x87 mm, R3 (D)
	0000 930 2803	1	Hose 3.1x5.7 mm x 1 m, R3 (A,B)
	0712 923 8004	1	Hose 3.1x5.7 mm x 10 m, R3 (A,B)
26	4223 350 5805	1	Tank vent □ 27, 28
27	4205 350 5800	1	Tank vent □ 28
28	1120 358 8105	1	Vent insert

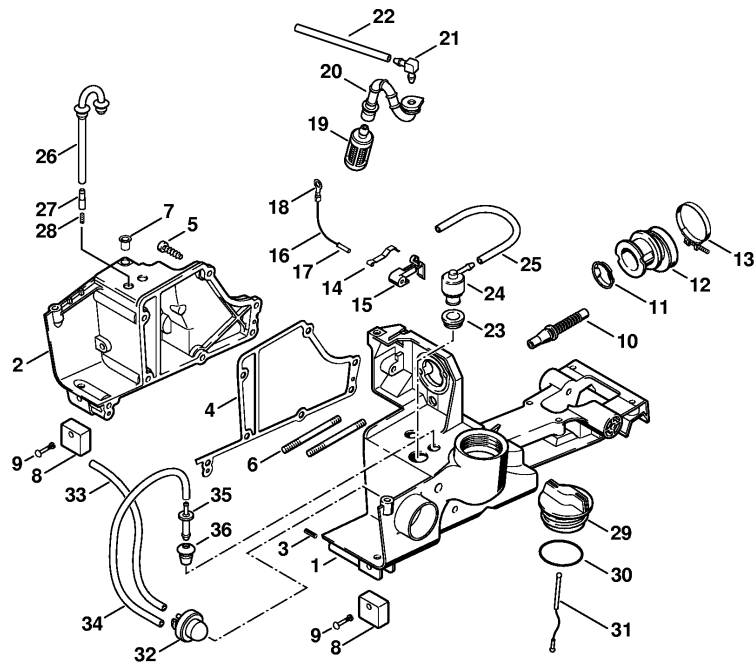
Drawing D Tank housing



338ET047 SC

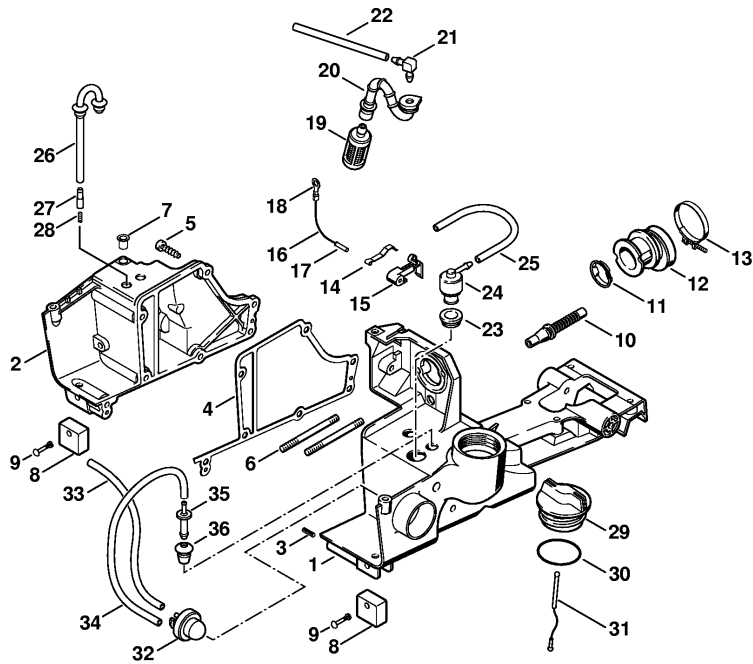
Drawing D Tank housing

Reference	Item number	Qty	Description
29	0000 350 0527	1	Filler cap □ 30, 31
30	9645 951 3890	1	O-ring 35x3-FPM 80
31	0000 350 0900	1	Rope
32	0000 967 3502	1	Instruction label USA



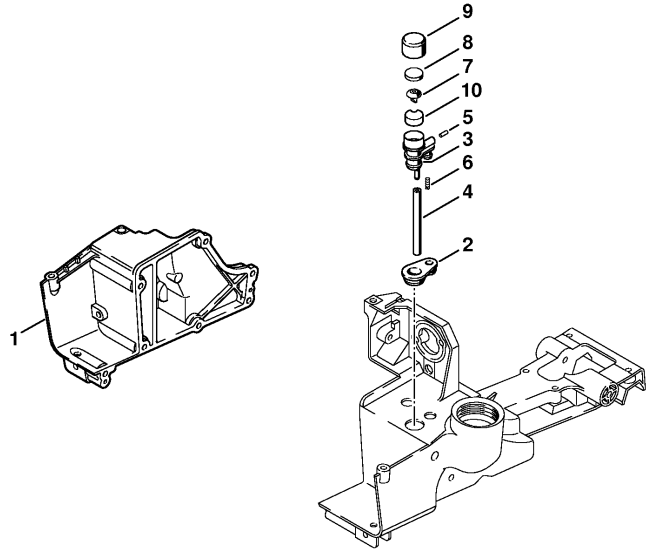
338ET048 SC

Reference	Item number	Qty	Description
1	4223 350 0808	1	Tank housing J □ 2 - 10, 19 - 36
2	4223 350 0805	1	Tank housing, left
3	9386 620 1680	2	Roll pin 3x12
4	4223 359 0701	1	Gasket
5	9075 478 4155	7	Pan head self-tapping screw IS-D5x24
6	9121 319 1120	2	Stud M5x55
7	9416 868 6531	1	Hollow rivet 6.5x0.5x6.8
8	4223 792 9300	2	Rubber buffer
9	4223 792 2300	2	Pin
10	4223 141 8600	1	Impulse hose
11	1122 141 1805	1	Sleeve
12	4223 141 2200	1	Manifold
13	9771 021 2620	1	Hose clip Ø 36x5
14	4223 442 1600	1	Contact spring
15	4223 435 6005	1	Support
16	0751 010 1110	1	Ground wire 52 mm / 2 1/16" (D) Lead 10 m / 33' (A,B)
17	1110 442 7000	1	Contact sleeve (C)
18	0751 030 8969	1	Terminal socket A5-1.5 (C)
19	0000 350 3500	1	Pickup body
	4223 350 3601	1	Set hose / elbow connector □ 20 - 22
20	4223 358 7701	1	Hose
21	4224 122 3900	1	Elbow connector
22	0000 930 2803	1	Hose 3.1x5.7x87 mm, R3 (D)
	0712 923 8004	1	Hose 3.1x5.7 mm x 1 m, R3 (A,B)
		1	Hose 3.1x5.7 mm x 10 m, R3 (A,B)
23	4223 353 9201	1	Grommet
24	4223 350 5803	1	Tank vent
25		1	Hose 3.1x5.7x87 mm, R3 (D)
	0000 930 2803	1	Hose 3.1x5.7 mm x 1 m, R3 (A,B)
	0712 923 8004	1	Hose 3.1x5.7 mm x 10 m, R3 (A,B)
26	4223 350 5805	1	Tank vent □ 27, 28
27	4205 350 5800	1	Tank vent □ 28
28	1120 358 8105	1	Vent insert



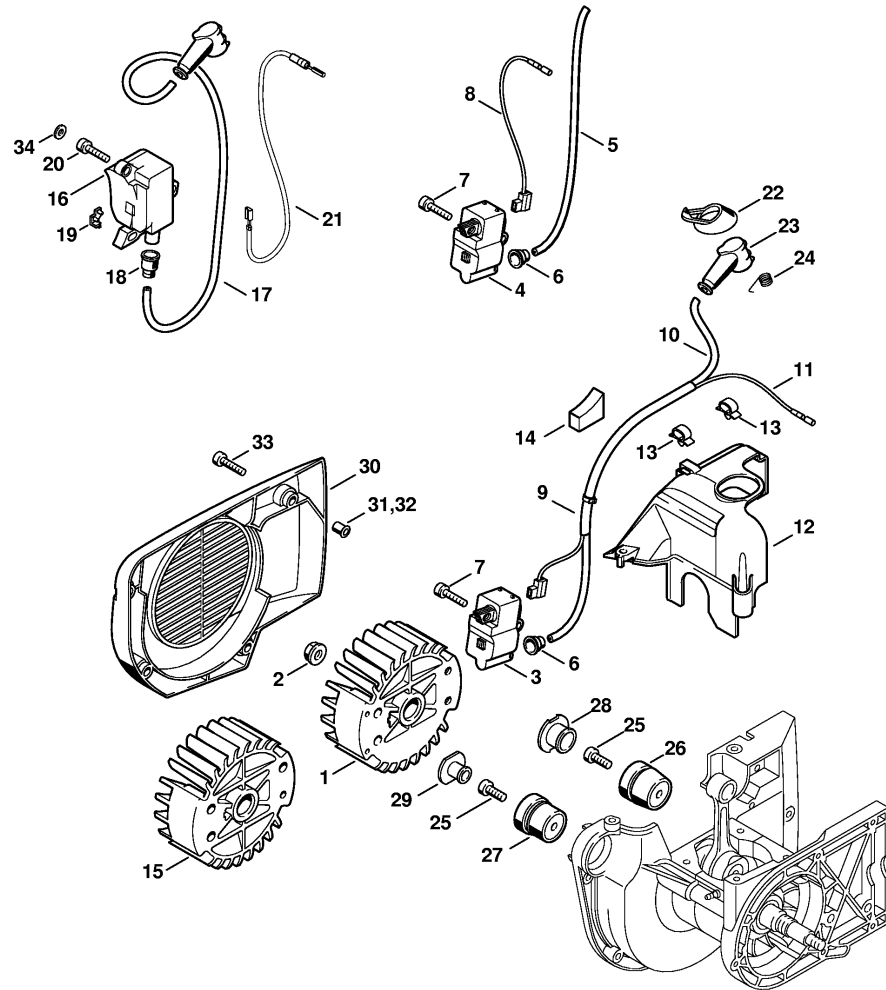
338ET048 SC

Reference	Item number	Qty	Description
29	0000 350 0527	1	Filler cap □ 30, 31
30	9645 951 3890	1	O-ring 35x3-FPM 80
31	0000 350 0900	1	Rope
32	1130 350 6200	1	Fuel pump J
33		1	Hose 2.2x5.4x128 mm, R1 (D) J
	4223 350 3602	1	Hose with connector J □ 34 - 36
34		1	Hose 2.2x5.4x144 mm, R1 (D) J
	0000 930 2802	1	Hose 2.2x5.4 mm x 1 m, R1 (A,B) J
35	0000 988 5206	1	Connector J
36	0000 989 0608	1	Grommet J



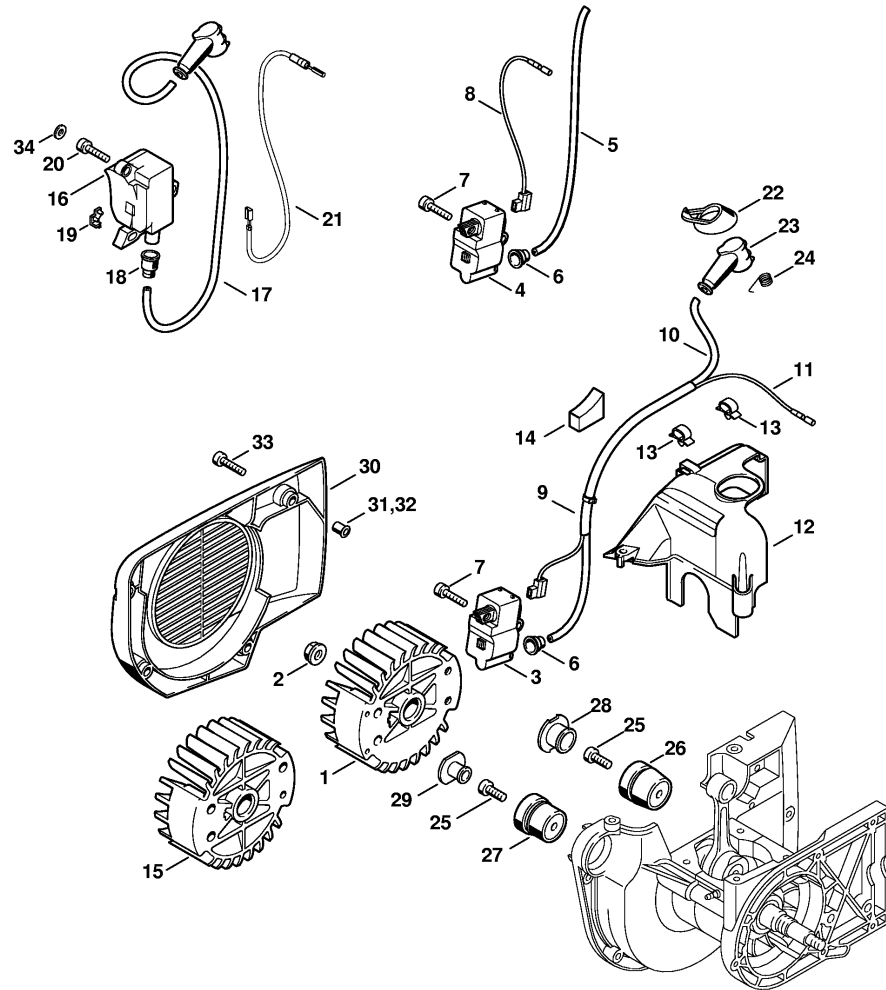
338E1013 GM

Reference	Item number	Qty	Description
1	* 4223 351 0510	1	Tank housing, left → 1 44 576 634 (53.1999)
2	* 4223 353 9200	1	Grommet → 1 44 576 634 (53.1999)
3	* 4223 350 5800	1	Tank vent → 1 44 576 634 (53.1999)
			□ 4 - 10
4	*	1	Hose 3.1x5.7x65 mm, R3 (D) → 1 44 576 634 (53.1999)
	0000 930 2803	1	Hose 3.1x5.7 mm x 1 m, R3 (A,B)
5	* 9517 003 5000	1	Cylindrical roller 3x5 → 1 44 576 634 (53.1999)
6	* 1120 358 8105	1	Vent insert → 1 44 576 634 (53.1999)
7	* 4114 353 1600	1	Valve → 1 44 576 634 (53.1999)
8	* 0000 358 1810	1	Filter → 1 44 576 634 (53.1999)
9	* 4223 353 2300	1	Cap → 1 44 576 634 (53.1999)
10	* 0000 358 1811	1	Filter → 1 44 576 634 (53.1999)



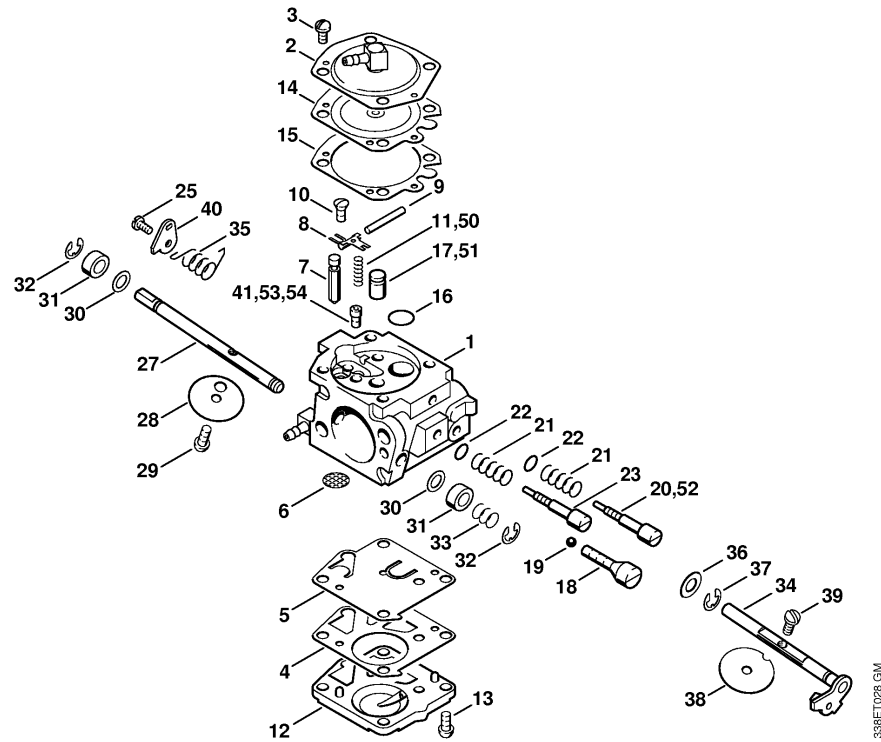
338BET0040 SC

Reference	Item number	Qty	Description
1	4223 400 1201	1	Flywheel (25.2005)
2	0000 955 0802	1	Collar nut M8x1
3	4223 400 1303	1	Ignition module □ 6
4	*	1	Ignition module (C) (53.2007) □ 5, 6
5	*	1	Ignition lead 330 mm (C,D) (53.2007)
6	0000 989 1002	1	Grommet
7	9022 341 1019	2	Spline screw IS-M5x20
8	*	1	Short circuit wire (C) (53.2007)
	* 4223 007 1015	1	Conversion kit Wiring harness (53.2007) □ 9 - 14
9	4223 440 3001	1	Wiring harness □ 10, 11
10		1	Ignition lead (D)
11		1	Short circuit wire (D)
12	4223 080 0900	1	Air guide shroud □ 13
13	4223 701 3300	2	Cable clamp
14	4223 431 8300	1	Insert
15	* 4223 400 1200	1	Flywheel → 1 54 117 859 (02.2002)
16	* 4223 400 1300	1	Ignition module → 1 54 117 859 (02.2002) □ 17 - 19
17	*	1	Ignition lead 370 mm (D) → 1 54 117 859 (02.2002)
	* 0000 405 0600	1	Ignition lead 1 m (A,B) → 1 54 117 859 (02.2002)
	* 0000 930 2251	1	Ignition lead 10 m (A,B) → 1 54 117 859 (02.2002)
18	* 0000 989 1010	1	Grommet → 1 54 117 859 (02.2002)
19	* 0000 448 1201	1	Lead retainer → 1 54 117 859 (02.2002)
20	* 9022 341 1019	3	Spline screw IS-M5x20 → 1 54 117 859 (02.2002)
21	* 4223 440 1100	1	Short circuit wire 380 mm / 15" → 1 54 117 859 (02.2002)
22	4223 084 1600	1	Cover
23	1128 405 1000	1	Spark plug boot
24	0000 998 0604	1	Torsion spring
25	9022 341 1280	2	Spline screw IS-M6x16
26	1125 790 9906	1	Annular buffer 1125/06



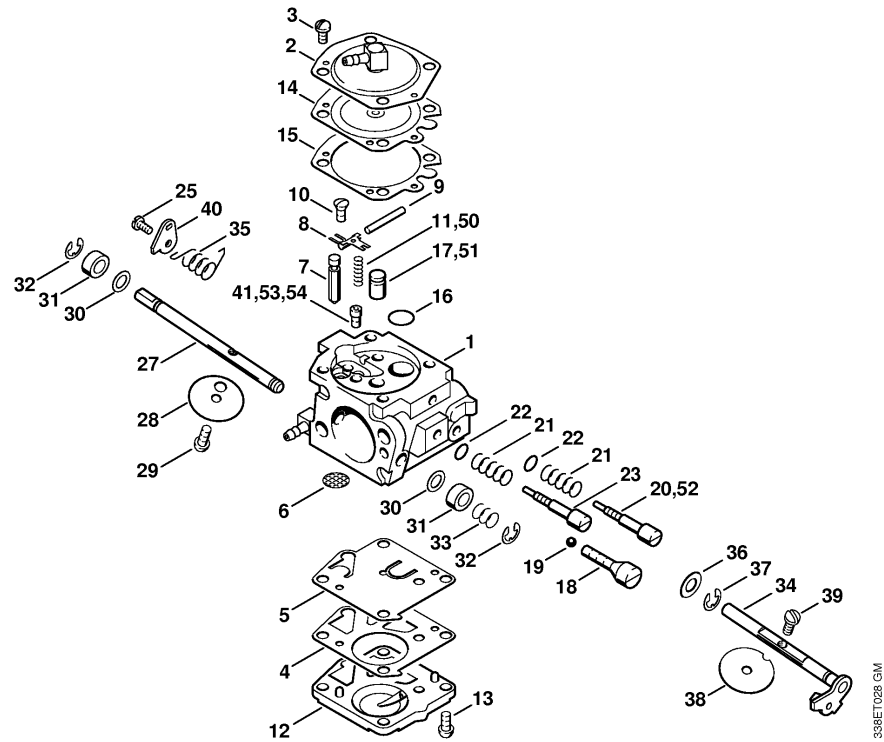
338BET0040 SC

Reference	Item number	Qty	Description
27	1121 790 9912	1	Annular buffer
28	1125 791 7306	1	Plug
29	1119 791 7306	1	Plug
30	4223 080 3100	1	Fan cover
31	9443 825 7130	4	Hollow rivet 7.5x1x6.8
32	* 9416 868 6630	4	Hollow rivet 6.5x0.5x6.8
33	9022 371 1020	4	Spline screw IS-M5x20
34	* 9291 021 0120	3	Washer 5.3

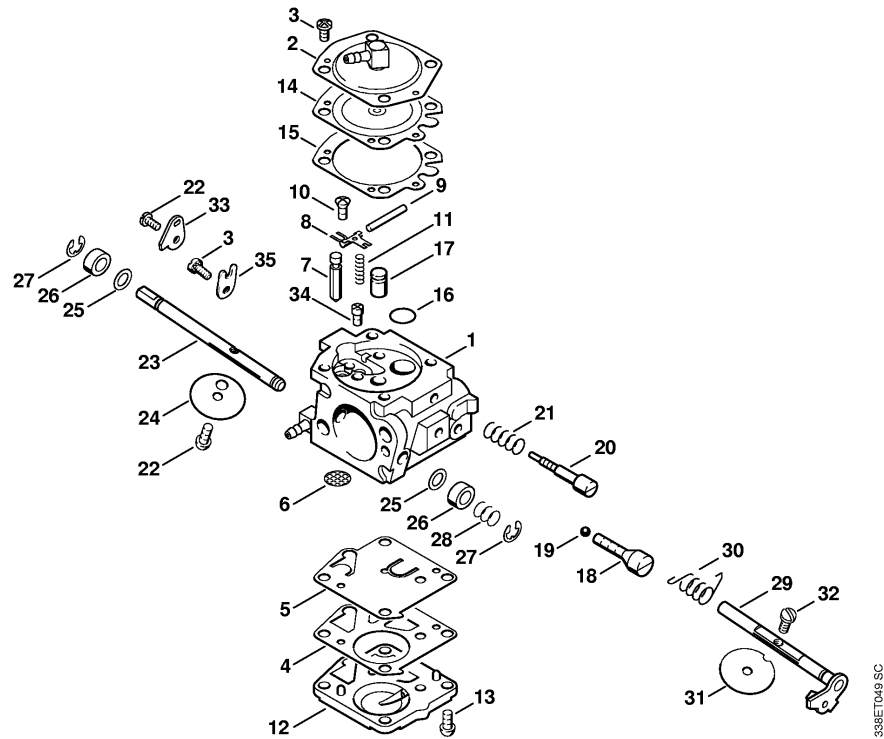


338E1028 GM

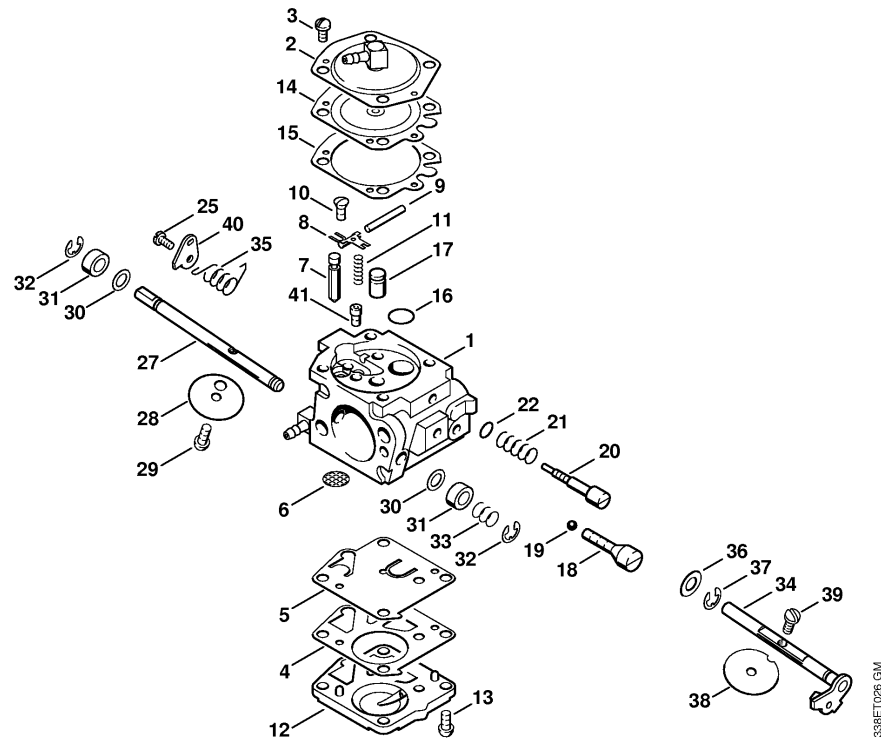
Reference	Item number	Qty	Description
1	* 4223 120 0600	1	Carburetor HS-274E (24.2003) □ 2 - 41
2	* 4223 121 0800	1	End cover (24.2003)
3	* 1106 122 7400	4	Round head screw (24.2003)
4	* 1110 129 1110	1	Gasket (24.2003)
5	* 1124 121 4800	1	Pump diaphragm (24.2003)
6	* 4221 121 7800	1	Strainer (24.2003)
7	* 4116 121 5100	1	Inlet needle (24.2003)
8	* 1124 121 5000	1	Inlet control lever (24.2003)
9	* 1110 121 9200	1	Spindle (24.2003)
10	* 1110 122 7801	1	Oval head screw (24.2003)
11	* 1124 122 3000	1	Spring (24.2003)
12	* 1115 121 0800	1	End cover (24.2003)
13	* 1110 122 7700	4	Oval head screw (24.2003)
14	* 1110 121 4700	1	Metering diaphragm (24.2003)
15	* 1110 129 0900	1	Gasket (24.2003)
16	* 1110 122 9410	1	Plug (24.2003)
17	* 4223 121 5400	1	Valve jet (24.2003)
18	* 4221 122 6200	1	Idle speed adjustment screw (24.2003)
19	* 4221 122 4200	1	Ball (24.2003)
20	* 4221 122 6801	1	Low speed adjustment screw (24.2003)
21	* 1110 122 3030	2	Spring (24.2003)
22	* 4223 122 3600	2	Sealing ring (24.2003)
23	* 4223 122 6700	1	High speed adjustment screw (24.2003)
25	* 4221 122 7100	1	Screw (24.2003)
27	* 4223 120 7200	1	Choke shaft (24.2003)
28	* 4223 121 2900	1	Choke shutter (24.2003)
29	* 1110 122 7400	1	Round head screw (24.2003)
30	* 4221 122 3605	2	Sealing ring (24.2003)
31	* 4221 121 9400	2	Ring (24.2003)
32	* 1110 122 9005	2	E-clip (24.2003)
33	* 4223 122 3000	1	Spring (24.2003)
34	* 4223 120 7101	1	Throttle shaft with lever (24.2003)
35	* 4223 122 3200	1	Torsion spring (24.2003)
36	* 4221 121 8600	1	Washer (24.2003)
37	* 1110 122 9005	1	E-clip (24.2003)
38	* 4223 121 3300	1	Throttle shutter (24.2003)
39	* 1110 122 7400	1	Round head screw (24.2003)
40	* 4223 121 3500	1	Throttle lever (24.2003)
41	* 4205 121 5600	1	Fixed jet 0.64 (24.2003)
	* 1124 007 1060	1	Set of carburetor parts (24.2003) □ 4, 5, 14, 15



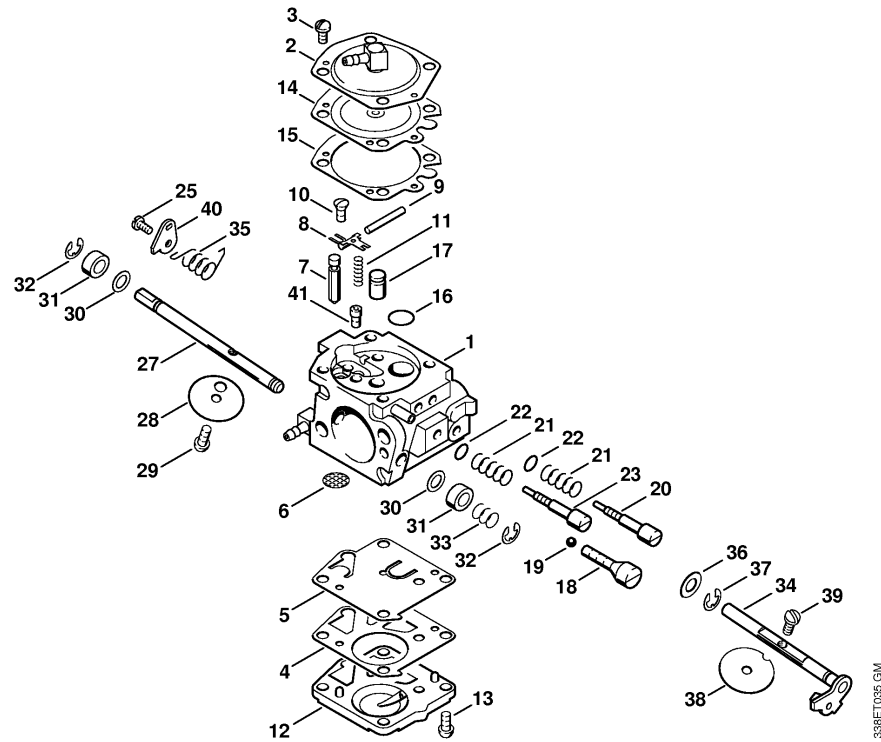
Reference	Item number	Qty	Description
*		1	Carburetor HS-274C (D) (04.1998) □ 2 - 10, 12 - 16, 18, 19, 21 - 40, 50 - 53
*		1	Carburetor HS-274D (D) (04.1998) □ 2 - 40, 54
50 *	1106 122 3005	1	Spring (04.1998)
51 *	4221 121 5400	1	Valve jet (04.1998)
52 *	4223 122 6800	1	Low speed adjustment screw (04.1998)
53 *	4205 121 5600	1	Fixed jet 0.64 (04.1998)
54 *	4223 121 5600	1	Fixed jet 0.69 (04.1998)



Reference	Item number	Qty	Description
1	4223 120 0652	1	Carburetor WJ-108A USA □ 2 - 35
1	4223 120 0653	1	Carburetor WJ-108A □ 2 - 35
2	4223 121 0801	1	End cover
3	1106 122 7400	5	Round head screw
4	1115 129 1100	1	Gasket
5	1115 121 4800	1	Pump diaphragm
6	1114 121 7800	1	Strainer
7	1110 121 5100	1	Inlet needle
8	1117 121 5000	1	Inlet control lever
9	1117 121 9200	1	Spindle
10	1114 122 7400	1	Round head screw
11	1117 122 3005	1	Spring
12	1115 120 0800	1	End cover
13	1115 122 7100	4	Round head screw
14	1117 121 4700	1	Metering diaphragm
15	1116 129 0900	1	Gasket
16	1122 121 0700	1	Cup plug
17	4223 121 5401	1	Valve jet
18	4223 122 6200	1	Idle speed adjustment screw
19	1122 121 7700	1	Clamp
20	4223 122 6802	1	Low speed adjustment screw
21	1128 122 3003	1	Spring
22	1121 122 7102	2	Round head screw
23	4223 120 7201	1	Choke shaft
24	4223 121 2901	1	Choke shutter
25	4223 122 3601	2	Sealing ring
26	4223 121 9400	2	Ring
27	1117 122 9000	2	E-clip
28	4223 122 3001	1	Spring
29	4223 120 7102	1	Throttle shaft with lever
30	1122 122 3200	1	Torsion spring
31	1115 121 3301	1	Throttle shutter
32	1115 122 7400	1	Round head screw
33	4223 121 3501	1	Throttle lever
34	1122 121 5607	1	Fixed jet 0.74
35	1110 122 9300	1	Clip
	1122 007 1060	1	Set of carburetor parts □ 4, 5, 14, 15

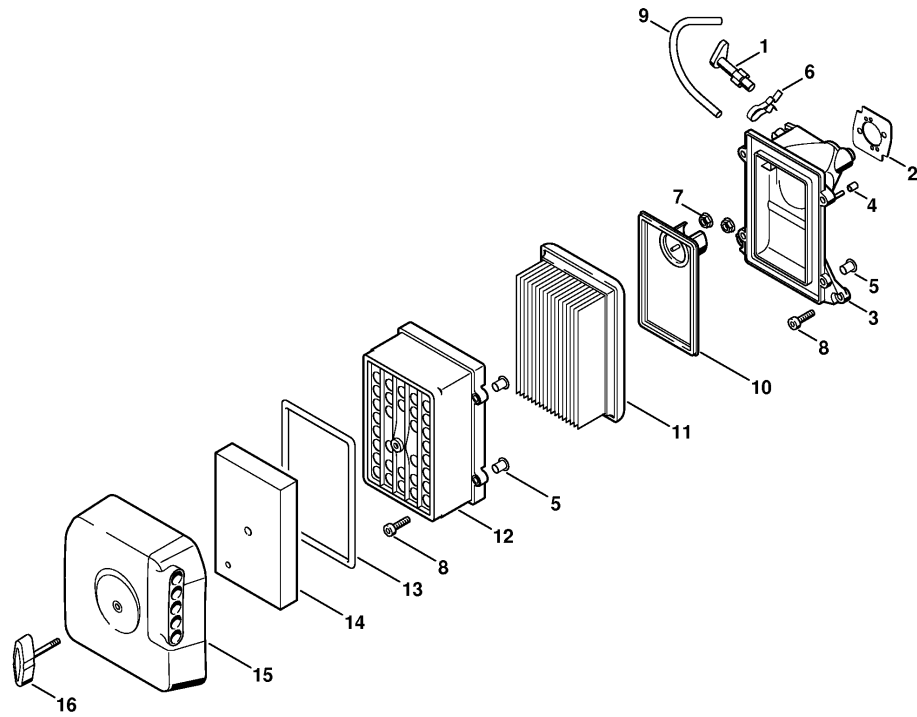


Reference	Item number	Qty	Description
1	* 4223 120 0650	1	Carburetor HS-279D USA (31.2006) □ 2 - 41
1	* 4223 120 0651	1	Carburetor HS-279D (31.2006) □ 2 - 41
2	* 4223 121 0800	1	End cover (31.2006)
3	* 1110 122 7700	4	Oval head screw (31.2006)
4	* 1110 129 1110	1	Gasket (31.2006)
5	* 1124 121 4800	1	Pump diaphragm (31.2006)
6	* 4221 121 7800	1	Strainer (31.2006)
7	* 4116 121 5100	1	Inlet needle (31.2006)
8	* 1124 121 5000	1	Inlet control lever (31.2006)
9	* 1110 121 9200	1	Spindle (31.2006)
10	* 1110 122 7801	1	Oval head screw (31.2006)
11	* 1124 122 3000	1	Spring (31.2006)
12	* 1115 121 0800	1	End cover (31.2006)
13	* 1106 122 7400	4	Round head screw (31.2006)
14	* 1110 121 4700	1	Metering diaphragm (31.2006)
15	* 1110 129 0900	1	Gasket (31.2006)
16	* 1110 122 9410	1	Plug (31.2006)
17	* 4223 121 5400	1	Valve jet (31.2006)
18	* 4221 122 6200	1	Idle speed adjustment screw (31.2006)
19	* 4221 122 4200	1	Ball (31.2006)
20	* 4221 122 6801	1	Low speed adjustment screw (31.2006)
21	* 1110 122 3030	1	Spring (31.2006)
22	* 4223 122 3600	2	Sealing ring (31.2006)
25	* 4221 122 7100	1	Screw (31.2006)
27	* 4223 120 7200	1	Choke shaft (31.2006)
28	* 4223 121 2900	1	Choke shutter (31.2006)
29	* 1110 122 7400	1	Round head screw (31.2006)
30	* 4221 122 3605	2	Sealing ring (31.2006)
31	* 4221 121 9400	2	Ring (31.2006)
32	* 1110 122 9005	2	E-clip (31.2006)
33	* 4223 122 3000	1	Spring (31.2006)
34	* 4223 120 7101	1	Throttle shaft with lever (31.2006)
35	* 4223 122 3200	1	Torsion spring (31.2006)
36	* 4221 121 8600	1	Washer (31.2006)
37	* 1110 122 9005	1	E-clip (31.2006)
38	* 4223 121 3300	1	Throttle shutter (31.2006)
39	* 1110 122 7400	1	Round head screw (31.2006)
40	* 4223 121 3500	1	Throttle lever (31.2006)
41	* 4223 121 5603	1	Fixed jet 0.75 (31.2006)
	* 1124 007 1060	1	Set of carburetor parts (31.2006) □ 4, 5, 14, 15



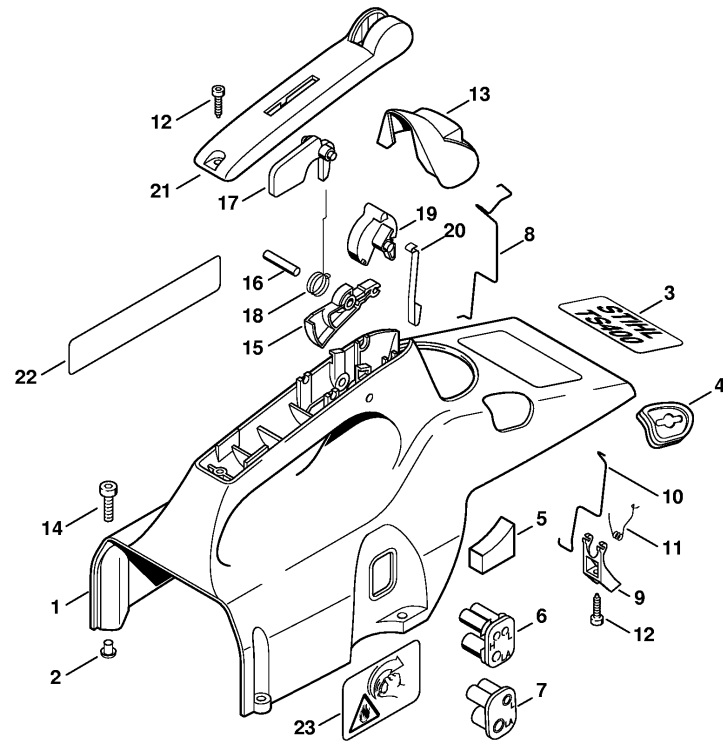
338ET035 GM

Reference	Item number	Qty	Description
1	4223 120 0602	1	Carburetor HS-301B J □ 2 - 41
2	4223 121 0800	1	End cover
3	1106 122 7400	4	Round head screw
4	1110 129 1110	1	Gasket
5	1124 121 4800	1	Pump diaphragm
6	4221 121 7800	1	Strainer
7	4116 121 5100	1	Inlet needle
8	1124 121 5000	1	Inlet control lever
9	1110 121 9200	1	Spindle
10	1110 122 7801	1	Oval head screw
11	1124 122 3000	1	Spring
12	1115 121 0800	1	End cover
13	1110 122 7700	4	Oval head screw
14	1110 121 4700	1	Metering diaphragm
15	1110 129 0900	1	Gasket
16	1113 122 9400	1	Plug
17	4223 121 5400	1	Valve jet
18	4221 122 6200	1	Idle speed adjustment screw
19	4221 122 4200	1	Ball
20	4223 122 6801	1	Low speed adjustment screw
21	1110 122 3030	2	Spring
22	4223 122 3600	2	Sealing ring
23	4223 122 6700	1	High speed adjustment screw
25	4221 122 7100	1	Screw
27	4223 120 7200	1	Choke shaft
28	4223 121 2900	1	Choke shutter
29	1110 122 7400	1	Round head screw
30	4221 122 3605	2	Sealing ring
31	4221 121 9400	2	Ring
32	1110 122 9005	2	E-clip
33	4223 122 3000	1	Spring
34	4223 120 7101	1	Throttle shaft with lever
35	4223 122 3200	1	Torsion spring
36	4221 121 8600	1	Washer
37	1110 122 9005	1	E-clip
38	4223 121 3300	1	Throttle shutter
39	1110 122 7400	1	Round head screw
40	4223 121 3500	1	Throttle lever
41	4223 121 5604	1	Fixed jet 0.72
	1124 007 1060	1	Set of carburetor parts □ 4, 5, 14, 15



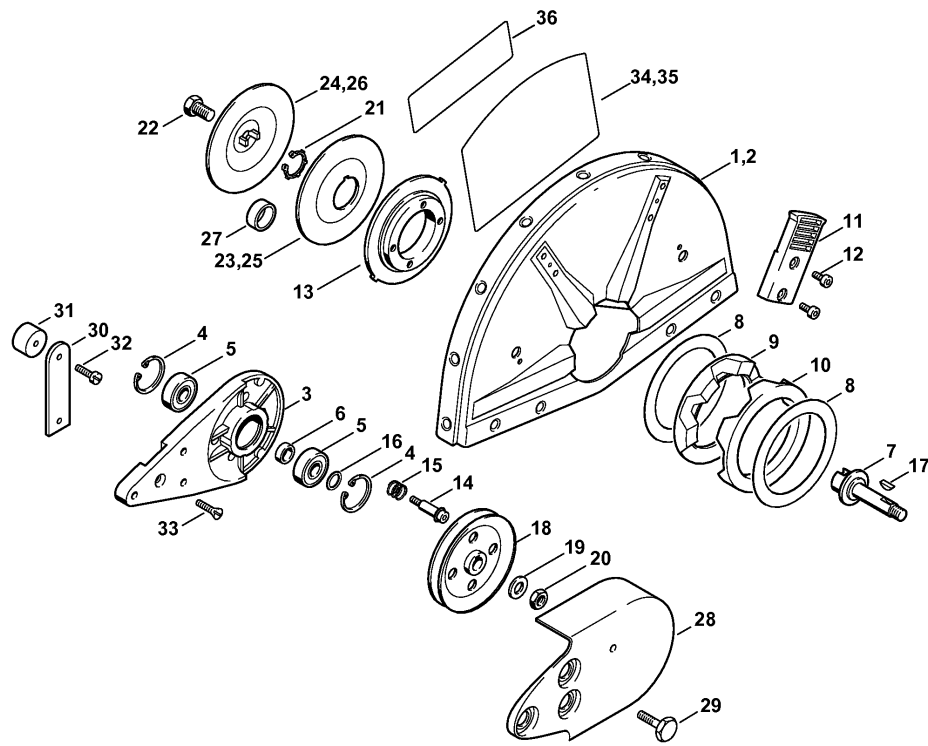
338ET014.GM

Reference	Item number	Qty	Description
1	4223 121 6101	1	Choke lever
2	4221 129 0903	1	Gasket
3	4223 120 3402	1	Filter base □ 5
4	4223 124 4000	1	Cap
5	9416 868 6630	6	Hollow rivet 6.5x0.5x6.8
6	4223 121 2400	1	Flat spring
7	9220 260 0700	2	Hexagon nut M5
8	9022 371 1020	6	Spline screw IS-M5x20
9		1	Hose 3.1x5.7x94 mm, R3 (D)
	0000 930 2803	1	Hose 3.1x5.7 mm x 1 m, R3 (A,B)
	0712 923 8004	1	Hose 3.1x5.7 mm x 10 m, R3 (A,B)
	4223 007 1010	1	Air filter kit (B) USA □ 10, 11, 13, 14
10	4223 140 1800	1	Auxiliary filter
11	4223 141 0300	1	Air filter
12	4223 140 2800	1	Filter housing □ 5, 13
13	4223 149 0500	1	Gasket
14	4223 141 0600	1	Prefilter
15	4223 141 0500	1	Filter cover
16	4223 140 9300	1	Twist lock
	4223 007 1050	1	Set of gaskets □ 2, 13



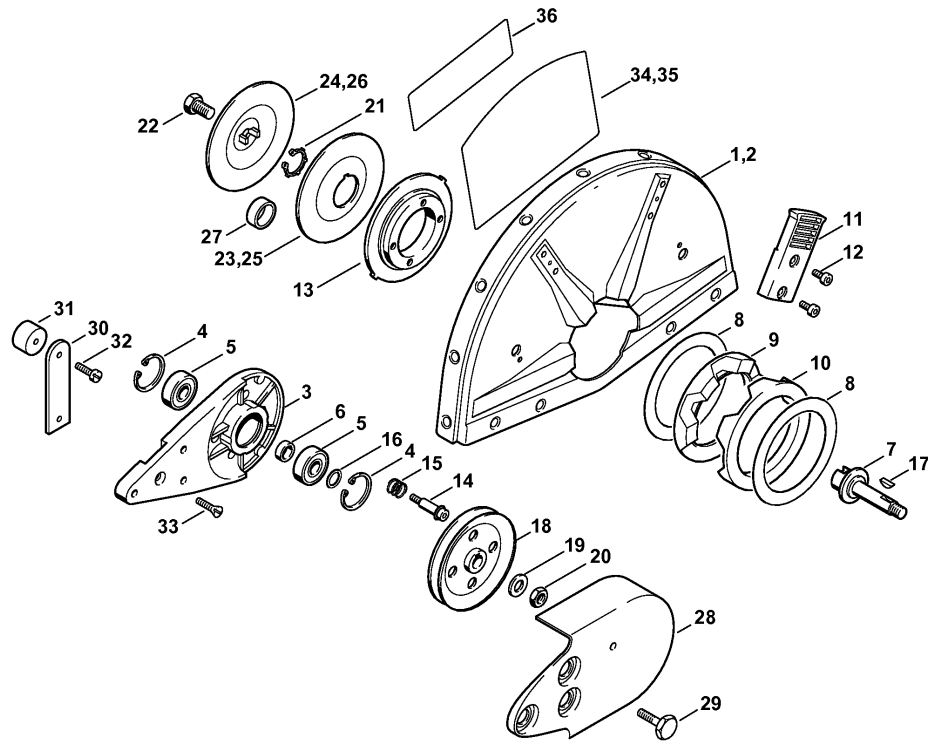
338BET051 SC

Reference	Item number	Qty	Description
	4223 080 1605	1	Shroud □ 1 - 5, 9 - 13, 15 - 22
1	4223 080 1604	1	Shroud □ 2 - 5, 22
2	9416 868 6630	4	Hollow rivet 6.5x0.5x6.8
3	4223 967 1500	1	Model plate TS 400
4	4223 084 7400	1	Grommet
5	4223 431 8300	1	Insert
6 *	4223 123 7500	1	Grommet (24.2003)
7	4223 123 7501	1	Grommet
8	4223 182 1500	1	Throttle rod
9	4223 435 6000	1	Support
10	4223 435 1100	1	Shutdown rod
11	4223 435 2100	1	Torsion spring
12	9075 478 3015	2	Pan head self-tapping screw IS-D4x15
13	4223 084 7100	1	Cap
14	9022 371 1020	4	Spline screw IS-M5x20
15	4223 182 1000	1	Throttle trigger
16	9371 470 2640	1	Cylindrical pin 5x24
17	4223 182 0800	1	Lockout lever
18	1117 182 4500	1	Torsion spring
19	4223 182 0900	1	Switch shaft
20	4223 182 4700	1	Flat spring
21	4223 791 0600	1	Handle molding
22	0000 967 3702	1	Warning pictogram TS
23	0000 967 3693	1	Warning pictogram Filler cap USA

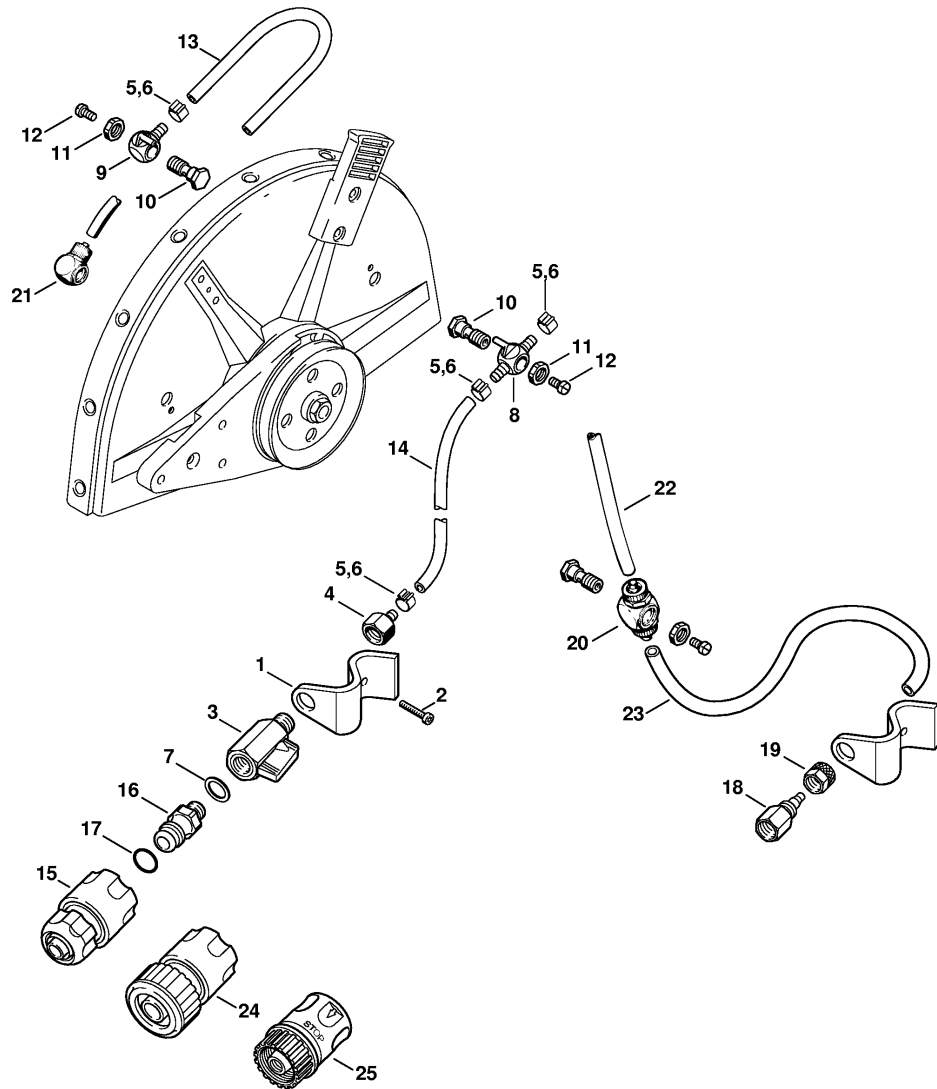


33BET054 SC

Reference	Item number	Qty	Description
	4223 007 1005	1	Support with guard Ø 300 mm / 12" □ 1, 3 - 24
	4223 007 1008	1	Support with guard Ø 300 mm / 12" with water attachment, USA □ 1, 3 - 24, 30 - 34
	4223 007 1016	1	Support with guard Ø 300 mm / 12" with water attachment, CDN □ 1, 3 - 24, 30 - 33, 36
	4223 007 1007	1	Support with guard Ø 300 mm / 12" with water attachment □ 1, 3 - 24
	4221 007 1005	1	Support with guard Ø 350 mm / 14" □ 2 - 24
	4221 007 1009	1	Support with guard Ø 350 mm / 14" with water attachment, USA □ 2 - 24, 30 - 33, 35
	4221 007 1014	1	Support with guard Ø 350 mm / 14" with water attachment, CDN □ 2 - 24, 30 - 33, 36
	4221 007 1008	1	Support with guard Ø 350 mm / 14" with water attachment □ 2 - 24
	4221 007 1013	1	Support with guard Ø 350 mm / 14" with water attachment, J, AUS □ 2 - 22, 25, 26
1	4238 700 8110	1	Guard Ø 300 mm / 12"
2	4224 700 8103	1	Guard Ø 350 mm / 14"
3	4205 791 3902	1	Support
4	9456 621 3600	2	Circlip 32x1.2
5	9503 003 6440	2	Grooved ball bearing 6201-2RS
6	0000 961 1206	1	Ring
7	4201 704 0504	1	Shaft
8	4201 706 9202	2	Washer
9	4221 706 8800	1	Rubber ring
10	4221 706 8801	1	Rubber ring
11	4223 700 2900	1	Adjusting lever
12	9022 341 0960	4	Spline screw IS-M5x12
13	4205 706 2903	1	Flange
14	4223 710 9500		Adjusting screw (quantity as required) □ 15
15	0000 997 1303		Compression spring (quantity as required)
16	0000 958 1212	1	Washer
17	4223 036 8600	1	Woodruff key
18	4201 700 2504	1	V-belt pulley
19	9291 021 0200	1	Washer 10.5
20	9211 260 1350	1	Hexagon nut M10x1 l/h thread
21	9450 721 2150	1	Circlip 20x1.2

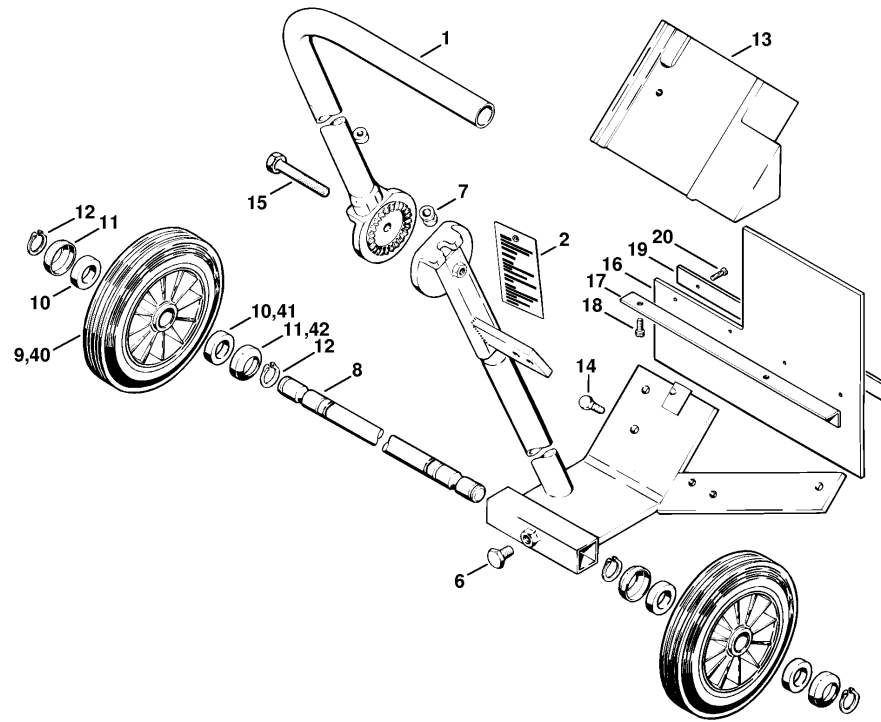


Reference	Item number	Qty	Description
22	4201 708 8402	1	Hexagon head screw M10x18
23	4201 708 3004	1	Thrust washer Ø 103 mm
24	4201 708 3014	1	Thrust washer Ø 103 mm
25	4205 708 3000	1	Thrust washer Ø 118 mm J
26	4205 708 3010	1	Thrust washer Ø 118 mm J
27	0000 708 4200	1	Shaft sleeve (B)
28	4223 700 8100	1	Guard
29	4201 708 8401	3	Hexagon head screw M8x42
30	4201 790 6005	1	Limit stop USA, CDN
31	4201 790 9302	1	Rubber buffer USA, CDN
32	9041 216 1230	1	Pan head screw M6x8 USA, CDN
33	9062 319 1260	1	Countersunk screw M6x12 USA, CDN
34	0000 967 3577	1	Instruction label USA
35	0000 967 3578	1	Instruction label USA
36	0000 967 3903	1	Instruction label CDN



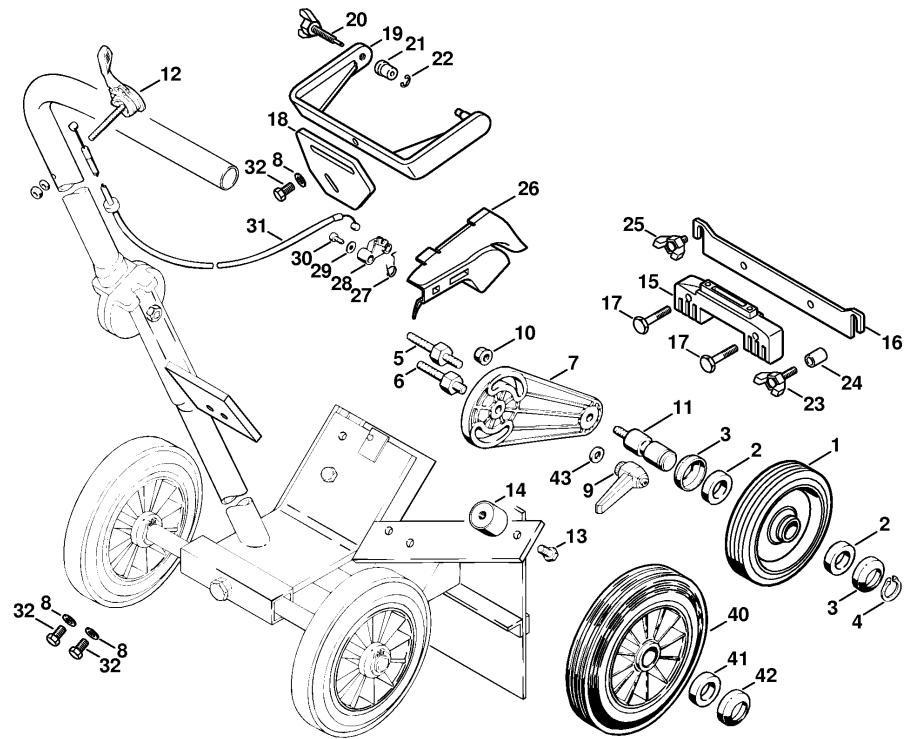
3385E7030 SC

Reference	Item number	Qty	Description
	4201 007 1014	1	Water attachment kit (B) □ 1 - 5, 7 - 17
1	4201 700 6802	1	Bracket (B)
2	9022 341 0960	1	Spline screw IS-M5x12 (B)
3	4201 700 4500	1	Shut-off cock 1/4" (B)
4	4238 677 8200	1	Connector (B)
5	9771 021 0921	4	Hose clip 10/7 (B)
6	* 9771 021 0920	4	Hose clip 9.5/7 (B)
7	0000 954 1701	1	Sealing ring (B)
8	4224 677 8201	1	Connector (B)
9	4224 677 8202	1	Connector (B)
10	4201 708 8400	2	Banjo bolt (B)
11	9211 021 8900	2	Hexagon nut G 1/8" (B)
12	9041 216 0950	2	Pan head screw M5x10 (B)
13		1	Hose 5.6x1.9x155 mm / 6 1/8" (B,D) for Ø 300mm / 12" guard
13		1	Hose 5.6x1.9x220 mm / 8 11/16" (B,D) for Ø 350mm / 14" guard
14		1	Hose 5.6x1.9x356 mm / 14" (B,D)
	0000 937 4049	1	Hose 5.6x1.9 mm x 1 m (A,B)
15	4201 670 1700	1	Coupling sleeve 1/2" (B)
16	4201 700 7300	1	Hose connector (B) □ 17
17	9645 945 7506	1	O-ring 10x3 (B)
18	* 4201 708 8600	1	Nut (B)
19	* 4201 708 3100	1	Union nut (B)
20	* 4201 677 1007	1	Union (B)
21	* 4201 677 1008	1	Elbow union 1/8" (B)
22	* 4201 678 1111	1	Hose 195 mm / 7 1/2" (B)
23	* 0000 989 5215	1	Hose 340 mm / 13 7/16" (B)
24	4201 670 1705	1	Coupling sleeve 3/4" (B)
25	4201 670 1701	1	Coupling sleeve 3/4" (B) USA



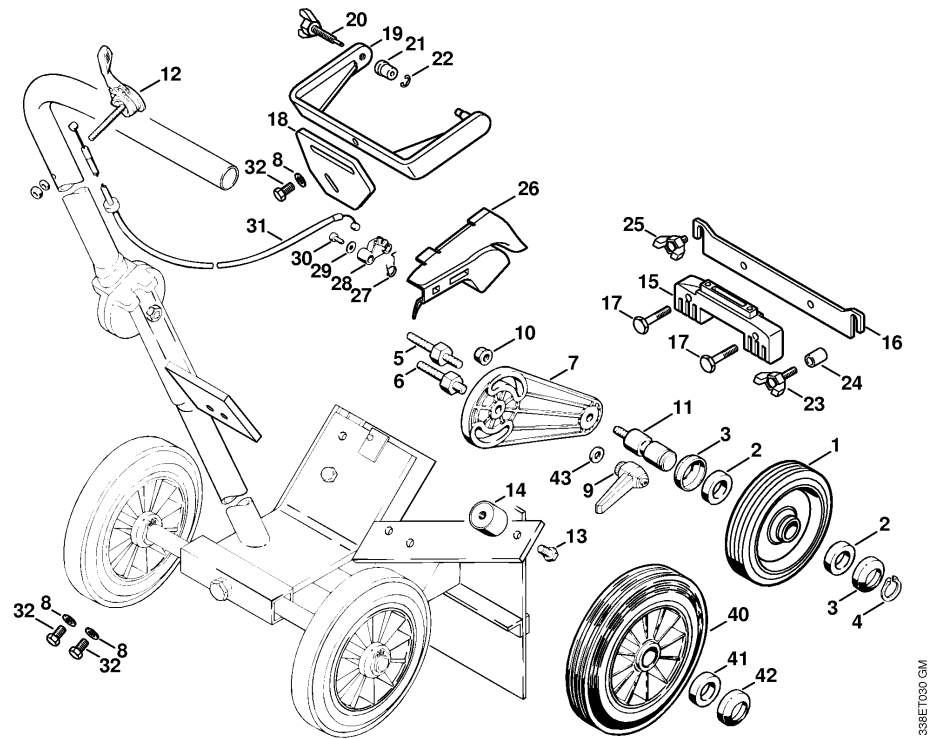
338ET029 GM

Reference	Item number	Qty	Description
	4201 710 1403	1	Cutquik cart (B) □ 1 - 20
1	4201 790 2300	1	Guide tube (B)
2	4201 967 4200	1	Tag (B)
6	4201 708 8402	1	Hexagon head screw M10x18 (B)
7	4201 791 9500	1	Rubber bushing (B)
8	4201 711 0903	1	Axle (B)
9	4201 790 5700	2	Wheel (B) □ 10, 11
10	0000 988 1900	2	Felt ring (B)
11	4201 791 9200	2	Cap (B)
12	9455 621 2150	4	Circlip 20x1.2 (B)
13	4201 790 6300	1	Counterweight (B)
14	9008 319 1830	1	Hexagon head screw M8x25 (B)
15	4201 708 8405	1	Hexagon head screw M10x70 (B)
	4201 007 1033	1	Splash guard mounting kit (B) □ 16 - 20
16	4201 792 9100	1	Guard (B)
17	4201 792 6000	1	Bracket (B)
18	9079 319 0960	2	Flat head screw M5x12 (B)
19	4201 792 9501	1	Strap (B)
20	9039 488 0680	4	Self-tapping screw M4x16 (B)
40 *	4201 710 3000	2	Wheel (B) (38.1995) □ 41, 42
41 *	0000 988 1900	4	Felt ring (B) (38.1995)
42 *	4201 717 2001	4	Cap (B) (38.1995)



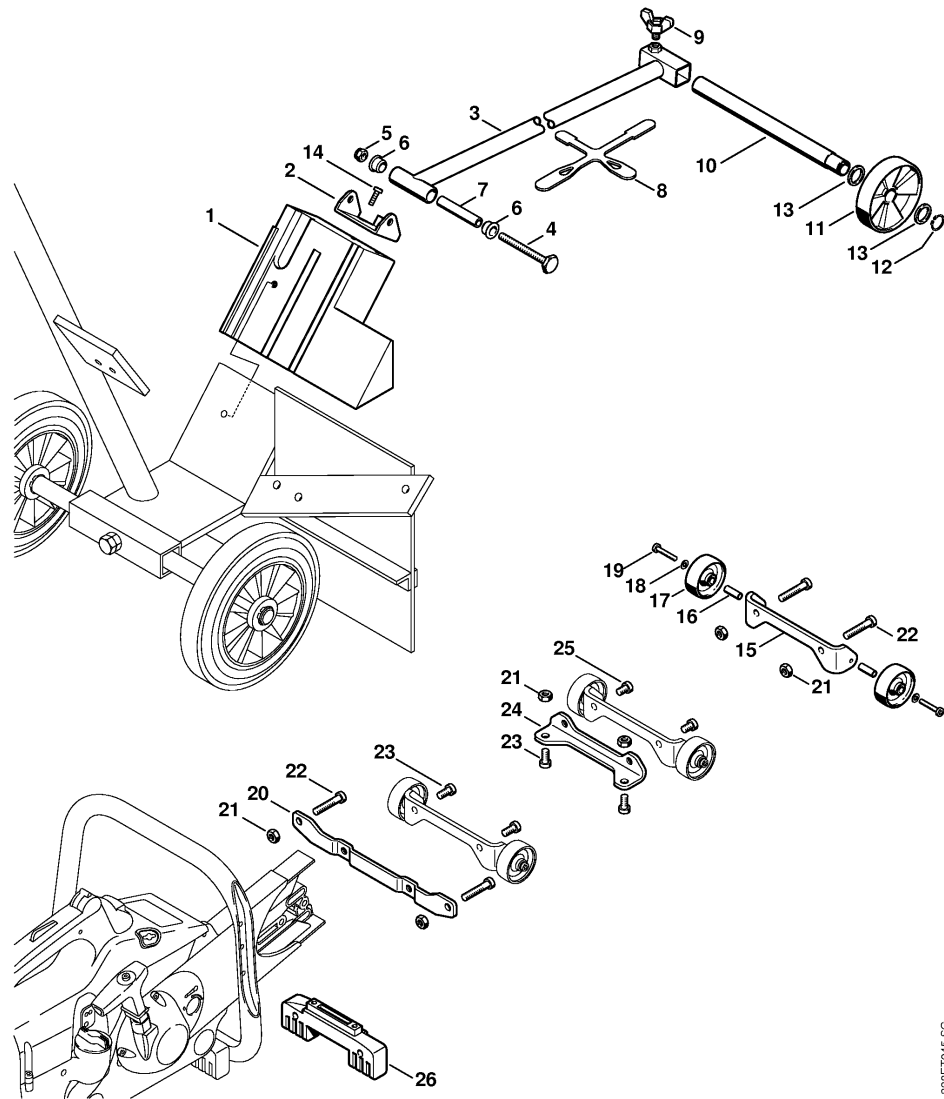
338ET030 GM

Reference	Item number	Qty	Description
	4201 007 1041	1	Depth wheel kit (B) □ 1 - 7, 9 - 11
1	4201 712 1005	1	Wheel Ø 142 mm (B)
2	0000 988 1900	2	Felt ring (B)
3	4201 717 2001	2	Cap (B)
4	9455 621 2150	1	Circlip 20x1.2 (B)
5	4201 711 8500	1	Stud (B)
6	4201 711 8501	1	Stud (B)
7	4201 711 0700	1	Swivel arm (B)
8	9291 021 0180	3	Washer 8.4 (B)
9	9582 003 0471	1	Clamp lever M8 (B)
10	9220 260 1100	1	Hexagon nut M8 (B)
11	4201 711 0901	1	Axle (B)
	4223 007 1000	1	Mounting kit Cutquik cart (B) □ 8, 12 - 32
12	4201 180 0700	1	Control lever (B)
13	9008 319 1780	2	Hexagon head screw M8x16 (B)
14	4201 790 9300	2	Rubber insert (B)
15	4223 791 7605	1	Support (B)
16	4223 792 9500	1	Strap (B)
17	4201 708 8401	2	Hexagon head screw M8x42 (B)
18	4223 716 3400	1	Plate (B)
19	4223 710 6605	1	Bow (B)
20	4223 710 9300	1	Wing screw (B)
21	4223 716 1500	1	Sleeve (B)
22	9460 624 0320	1	E-clip 3.2 (B)
23	4223 710 9310	1	Wing screw (B)
24	4223 716 2800	1	Spacer sleeve (B)
25	4223 710 9305	1	Wing screw (B)
	4223 180 1800	1	Throttle control (B) □ 26 - 31
26	4223 182 4000	1	Support (B)
27	4221 182 4501	1	Torsion spring (B)
28	4221 182 2800	1	Lever (B)
29	9307 021 0100	1	Washer 4.3 (B)
30	9075 478 2995	1	Pan head self-tapping screw IS-D4x12 (B)
31	4221 180 1101	1	Throttle cable (B)
32	9008 319 1800	3	Hexagon head screw M8x20 (B)



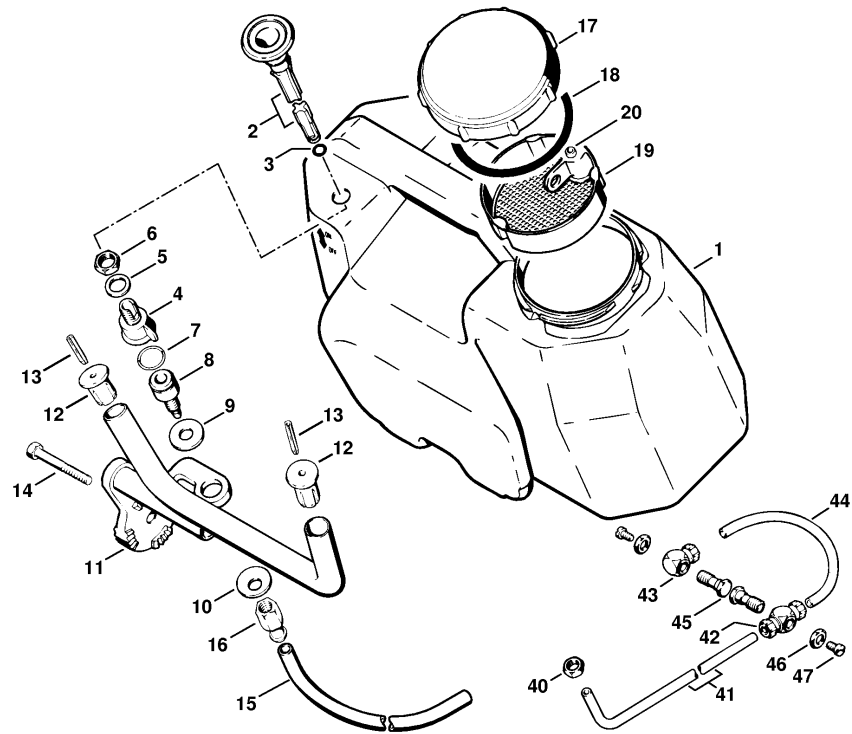
338ET030 GM

Reference	Item number	Qty	Description
40	* 4201 710 3000	1	Wheel (B) (38.1995) □ 41, 42
41	* 0000 988 1900	2	Felt ring (B) (38.1995)
42	* 4201 717 2001	2	Cap (B) (38.1995)
43	* 9291 021 0180	1	Washer 8.4 (B) (38.1995)



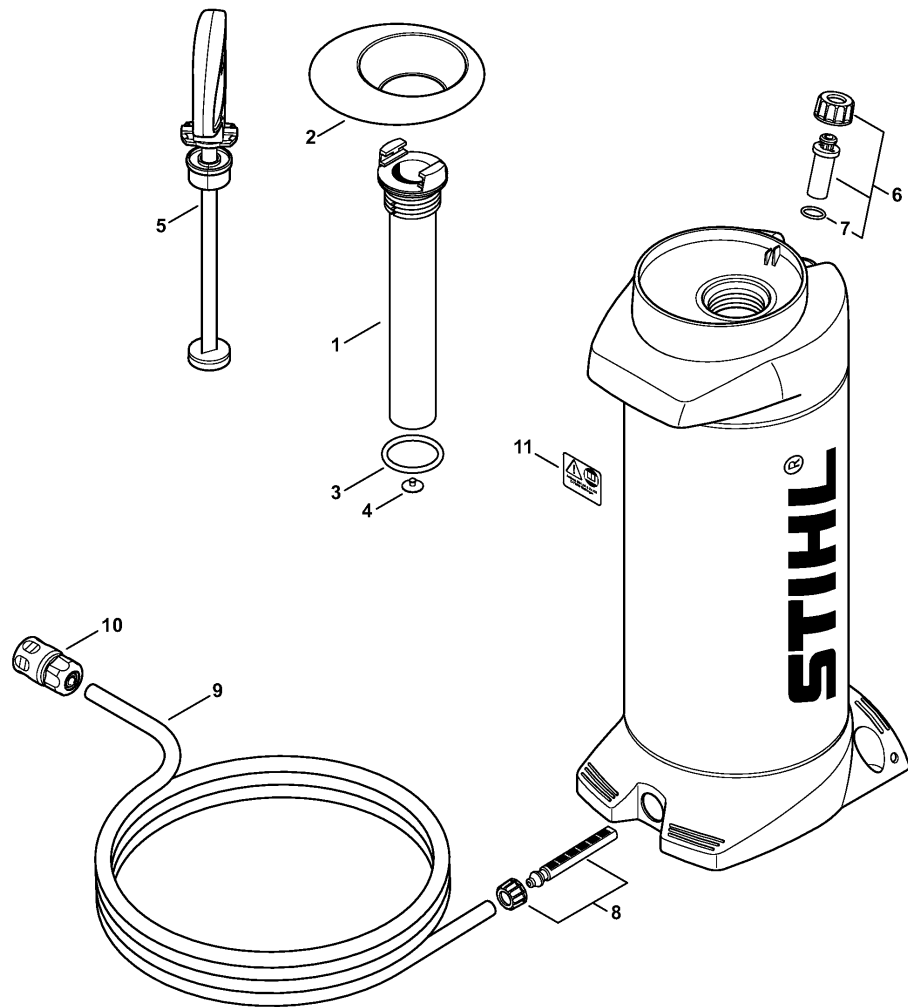
338ET045 SC

Reference	Item number	Qty	Description
1	4201 790 6300	1	Counterweight (B) □ 14
	4205 007 1009	1	Guide wheel kit (B) □ 2 - 14
2	4205 791 5400	1	Support (B)
3	4201 790 2100	1	Frame (B)
4	9007 319 2020	1	Hexagon head screw M8x85 (B)
5	9212 260 1100	1	Hexagon nut M8 (B)
6	4205 791 7200	2	Sleeve (B)
7	4205 791 2701	1	Tube (B)
8	0000 792 4200	1	Retaining strap (B)
9	4205 710 9300	1	Wing screw (B)
10	4201 711 0904	1	Axle (B)
11	4137 712 1001	1	Wheel (B)
12	9455 621 1920	1	Circlip 18x1.2 (B)
13	4205 791 8400	2	Ring (B)
14	9008 319 1800	2	Hexagon head screw M8x20 (B)
	4223 007 1014	1	Wheel mounting kit (B) □ 15 - 24
15		1	Carrier TS 400 (B,D)
16	4223 791 7200	2	Sleeve (B)
17	4223 791 3600	2	Wheel (B)
18	9307 021 0120	2	Washer 5.3 (B)
19	9022 341 1070	2	Spline screw IS-M5x30 (B)
20		1	Carrier TS 460 (B,D)
21	9210 260 1100	2	Hexagon nut M8 (B)
22	9037 319 1900	2	Socket head screw M8x40 (B)
23	9037 319 1780	2	Socket head screw M8x16 (B)
24		1	Carrier TS 510/760 (B,D)
25	9037 319 1750	2	Socket head screw M8x12 (B)
26	4223 791 7605	1	Support (B)



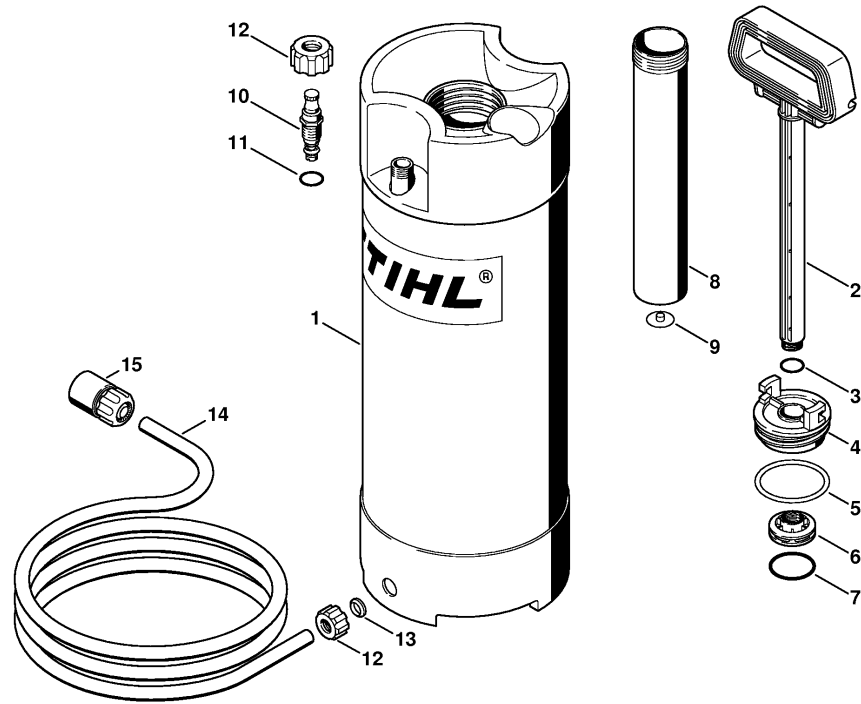
338BET031.GM

Reference	Item number	Qty	Description
	4201 007 1048	1	Water tank mounting kit (B) □ 1 - 20
1	4201 701 0800	1	Water tank (B)
2	4201 700 6250	1	Valve (B) □ 3 - 5
3	9645 948 0340	1	O-ring 6x1.5 (B)
4		1	Valve (B,D)
5	9636 965 1960	1	Sealing ring 18x24 (B)
6	9208 260 1660	1	Hexagon nut M16 (B)
7	9645 945 1390	1	O-ring 14x2.5 (B)
8	4201 708 9600	1	Connector (B)
9	9307 021 0200	1	Washer 10.5 (B)
10	9486 648 1195	1	Cup spring 23x10.2x1.25 (B)
11	4201 700 7400	1	Bracket (B) □ 12, 13
12	4201 703 2800	2	Plug (B)
13	9380 620 2700	2	Roll pin 5x30 (B)
14	4201 708 8405	1	Hexagon head screw M10x70 (B)
15	4201 678 1114	1	Hose 545 mm / 21 1/2" (B)
16	4201 677 7400	1	Hose connector (B)
17	4202 701 0900	1	Container cap (B)
18	4202 709 2000	1	Sealing ring (B)
19	4202 700 8805	1	Strainer (B) □ 20
20		1	Plug (B,C)
40	* 9210 260 1300	1	Hexagon nut M10 (B) (38.1995)
41	* 4201 678 1107	1	Hose 835 mm / 32 7/8" (B) (38.1995)
42	* 4201 677 1007	1	Union (B) (38.1995)
43	* 4201 677 1008	1	Elbow union 1/8" (B) (38.1995)
44	* 4201 678 1111	1	Hose 195 mm / 7 1/2" (B) (38.1995)
45	* 4201 708 8400	2	Banjo bolt (B) (38.1995)
46	* 9211 021 8900	2	Hexagon nut G 1/8" (B) (38.1995)
47	* 9041 216 0950	2	Pan head screw M5x10 (B) (38.1995)



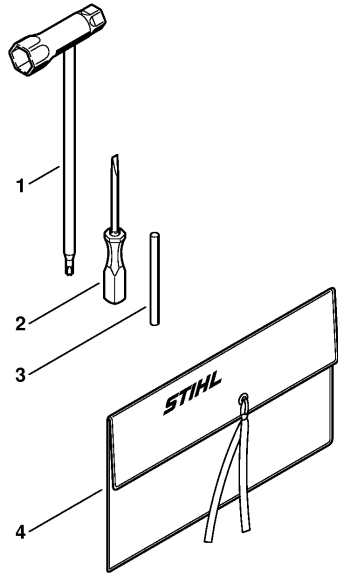
378E1043 SC

Reference	Item number	Qty	Description
	0000 670 6000	1	Water tank (B) □ 1 - 11
1	0000 670 6600	1	Pump barrel (B) □ 2 - 4
2	0000 676 0500	1	Funnel (B)
3		1	O-ring 46.99x5.33 (B,D)
4		1	Valve (B,D)
5	0000 670 7700	1	Handle (B)
6	0000 670 5000	1	Valve (B) □ 7
7		1	O-ring 17x2.5 (B,D)
	0000 670 0300	1	Hose (B) □ 8 - 10
8	0000 670 0400	1	Strainer (B)
9	4309 678 1100	1	Hose 4 m / 158" (B)
10	4201 670 1700	1	Coupling sleeve 1/2" (B)
11	0000 967 7304	1	Warning pictogram (B)
	0000 007 1600	1	Set of gaskets (B) □ 3, 4, 7



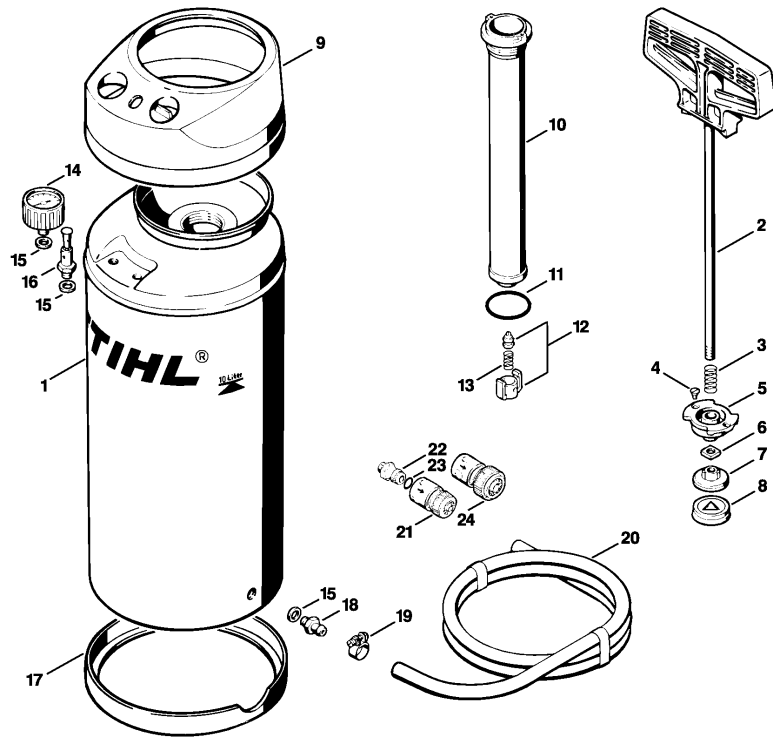
337ET021.GM

Reference	Item number	Qty	Description
	* 4223 670 6000	1	Water tank (B,C) (28.2010) □ 1 - 14
	* 4223 670 6001	1	Water tank (B,C) USA (28.2010) □ 1 - 15
1	* 4223 670 6010	1	Water tank (B) (28.2010) □ 12, 13
2	* 4223 670 7700	1	Handle (B) (28.2010) □ 3
3	* 9645 945 7560	1	O-ring 14x1.78 (B) (28.2010)
4	* 4223 670 8600	1	Filler cap (B) (28.2010) □ 5
5	* 9645 945 8240	1	O-ring 56.5x 5.33 (B) (28.2010)
6	* 4223 670 8200	1	Piston (B) (28.2010) □ 7
7	* 9645 945 7958	1	O-ring 37.5x3.15 (B) (28.2010)
8	* 4223 670 6600	1	Pump barrel (B) (28.2010) □ 9
9	* 4223 678 2600	1	Valve (B) (28.2010)
10	* 4223 670 5000	1	Valve (B) (28.2010) □ 11
11	* 9645 945 7494	1	O-ring 8.76x1.78 (B) (28.2010)
12	* 4223 677 8300	2	Union nut (B) (28.2010)
13	* 4223 678 1600	1	Insert (B) (28.2010)
14	* 4309 678 1100	1	Hose 4 m / 158" (B) (28.2010)
15	* 4201 670 1700	1	Coupling sleeve 1/2" (B) (28.2010)



338ET005.SIC

Reference	Item number	Qty	Description
	4223 890 1400	1	Tool kit □ 1 - 4
1	4128 890 3400	1	Combination wrench
2	5910 890 2305	1	Screwdriver
3	4130 893 7800	1	Locking pin
4	0000 891 0810	1	Tool roll



337ET013 LA

Reference	Item number	Qty	Description
1	* 4309 670 6002	1	Water tank (B,C) □ 2 - 18
2	* 4309 670 6500	1	Handle with rod (B) □ 3 - 8
3	* 4309 676 2500	1	Spring (B)
4	* 9062 319 0630	2	Countersunk screw M4x8 (B)
5	* 4309 676 2600	1	Piston rod guide (B)
6	* 9223 260 1100	1	Square nut M8 (B)
7	* 4309 676 2700	1	Piston (B)
8	* 4309 679 0400	1	Piston packing (B)
9	* 4309 676 2800	1	Shroud (B)
10	* 4309 670 6600	1	Pump barrel (B) □ 11 - 13
11	* 9645 945 8024	1	O-ring 42x4 (B)
12	* 4309 670 4500	1	Insert (B) □ 13
13	* 4309 678 1700	1	Spring (B)
14	* 4309 678 1000	1	Pressure gauge (B)
15	* 4309 679 0300	3	Sealing ring (B)
16	* 4309 678 1500	1	Safety valve (B)
17	* 4309 676 3000	1	Guard ring (B)
18	* 4309 678 1900	1	Hose nipple (B)
19	* 9771 021 1400	1	Hose clip 14-9 (B)
20	* 4309 678 1100	1	Hose 4 m / 158" (B)
21	* 4201 670 1700	1	Coupling sleeve 1/2" (B)
22	* 4201 700 7300	1	Hose connector (B) □ 23
23	* 9645 945 7506	1	O-ring 10x3 (B)
24	* 4201 670 1705	1	Coupling sleeve 3/4" (B)