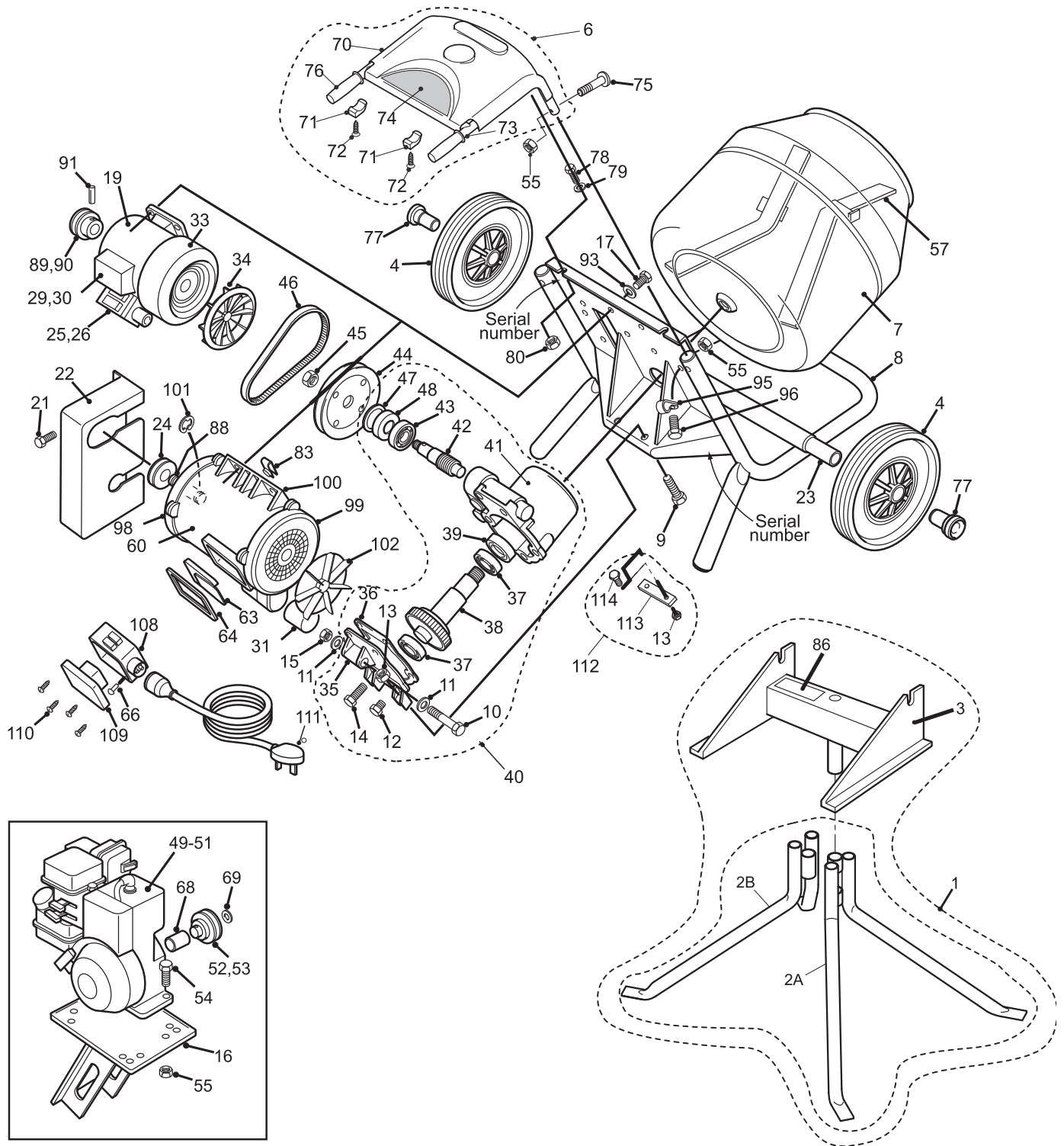


# Belle Minimix 140 (before 1999)



## Belle Minimix 140 (before 1999)

Part No.	Ref	Description
900/14300	1	Stand Assy
900/14200	2	Stand Bottom (LH & RH)
900/17000	2A	Stand Bottom (2 Boss)
900/17100	2B	Stand Bottom (1 Boss)
900/11600	3	Stand Top
60/0286	4	Rubber Wheel (was CMS16)
900/31700	6	Handle Assy
CMS12	7	Drum c/w Blades
900/24800	8	Frame Assy
7/10003	9	Setscrew M10 x 35
9/12005	10	Bolt M12 x 70
4/1205	11	Washer M12
MS12	12	Filler Bung
8/10002	13	Nut M10
7/8003	14	Setscrew M8 x 25
9/12003	15	Nut M12
900/23400	16	Motor Deck (G100/Loncin)
7/8011	17	Screw M8 x 20
CMS02	19	Motor 110v
7/10002	21	Screw M8 x 20
MS14	22	Belt Guard
900/11503	23	Axle Tube
900/12400	24	Screw On Pulley (Electric)
CMS63	25	Switch Box 110v
CMS36	26	Acc Plate 110v
CMS17	29	Capacitor Cover
CMS29	30	Capacitor 110v (Silver)
231 572	31	Capacitor 240v (White)
CMS25	33	Fan Cowl (240v/110v)
CMS24	34	Fan (240v/110v)
MS10	35	End Plate (after 1989)
MS11	36	Gearbox Gasket
CMS10	37	Ball Bearing
MS09	38	Drum Shaft
MS33	38	Drum & Worm Shaft Assy
CMS11	39	Oil Seal
MS25	40	Gearbox Assy
MS08	41	Gearbox Case
MS21	42	Wormshaft
PS013	43	Ball Bearing
CMS39	44	Gearbox Pulley
8/12003	45	Nut M12
MS01	46	V-Belt A23.5
MS22	47	Circlip
CMS41	48	Oil Seal
101 600	49	Loncin G152 (Replaces G100)

Part No.	Ref	Description
MS18	52	Engine Pulley (3/4" Shaft)
900/21300	53	Engine Pulley (Honda G100)
MS18	53	Engine Pulley (Robin EY08)
9/8003	54	Bolt M8 x 35
8/8001	55	Nut M8
4/8002	55	Lock Washer M8
CMS13	57	Paddle Kit (incl. 2 paddles)
900/20400	60	NVR Motor 240v
900/19200	63	Motor Adaptor Plate
900/19600	64	Gasket
900/19100	66	Snap Rivet
4/0008	69	Star Washer
900/99914	70	Top Cover
900/99918	71	Top Cover Clamp
7/5017	72	Screw 5.5
900/25000	73	Handle Frame Only
800/21300	74	Decal
9/8021	75	Dome Screw M8
XS35	76	Handle Grip
900/11400	77	Wheel Retainer
7/6001	78	Setscrew M6 x 12
4/6003	79	Washer M6
8/6001	80	Nut M6
8/8007	83	Lug Nut M8
900/15000	88	Sleeve Motor Shaft
MS17	89	Motor Pulley (5/8")
7/6008	91	Grub Screw M6
4/8008	93	Washer 5/16"
900/10100	95	Cable Clip
900/10200	95	Cable Clip No. 6
7/8008	96	Screw M8
900/16700	98	Motor Cover
900/16800	99	Motor Cover
900/16400	100	Motor Casing
600/03150	101	E-Clip
900/16500	102	Motor Fan
900/19400	108	Base Box 240v
900/19300	109	Lid Assy 240v
900/18100	111	NVR Lead Assy 240v