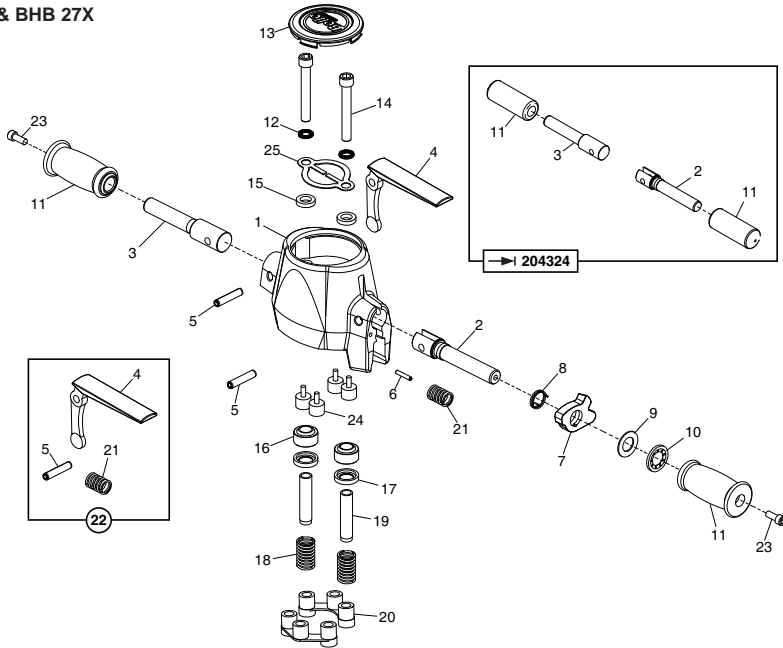


**Deksel Bouwdeel, Obere Abdeckung,
Top Dæksel, Assemblaggio Copertura**

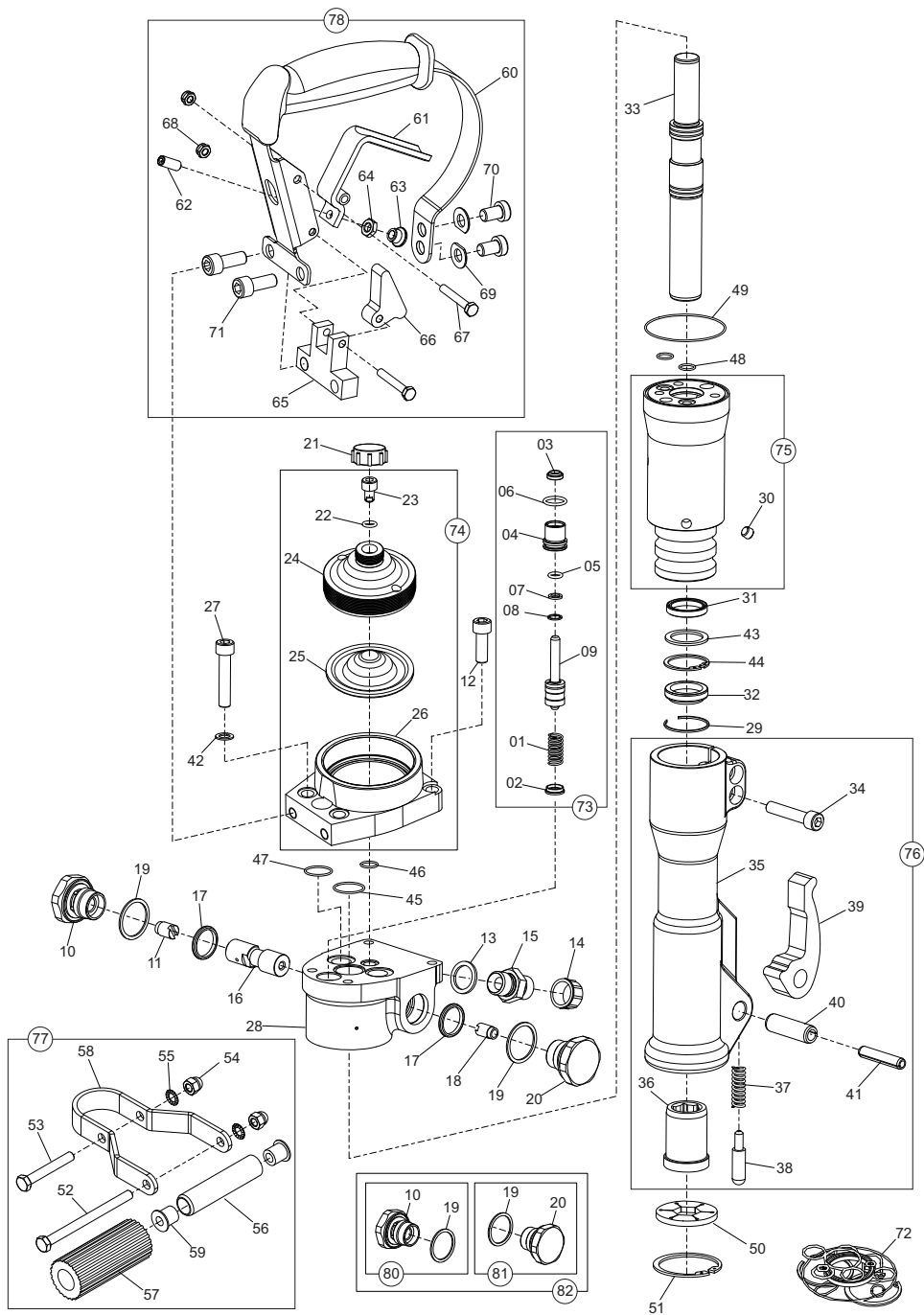
| | | | | | | | | | | |
|----|-------------|-------------|---------------|--------------|--------------|--|----------|----------|---------|---|
| 1 | 971/00101 | Head | | | | | | | | 1 |
| 2 | 01997 | Hendel | Griff | Håndtag | Impugnatura | | → 204324 | | | 1 |
| 2 | 02392 | Hendel | Griff | Håndtag | Impugnatura | | → 204325 | | | 1 |
| 3 | 01998 | Hendel | Griff | Håndtag | Impugnatura | | → 204324 | | | 1 |
| 3 | 02393 | Hendel | Griff | Håndtag | Impugnatura | | → 204325 | | | 1 |
| 4 | 02203-00 | Trekker | Auslöser | Aftrækker | Innesco | | | | | 1 |
| 5 | 3/0074 | Spirol-pen | Spirol-Zapfen | Spirol-stift | Perno Spirol | | | | 10 x 45 | 2 |
| 6 | 2/0062 | Veer | Feder | Fjeder | Molla | | | | | 1 |
| 7 | 01873 | Veer | Feder | Fjeder | Molla | | | | | 1 |
| 8 | 01931 | Afdichtring | Scheibe | Spændeskive | Rondella | | | | | 1 |
| 9 | 10-404-2000 | Afdichtring | Scheibe | Spændeskive | Rondella | | | | | 1 |
| 10 | 01999 | Handgrepen | Handgriffe | Håndgreb | Guancette | | → 204324 | | | 2 |
| 10 | 971/99108 | Handgrepen | Handgriffe | Håndgreb | Guancette | | → 204325 | | | 2 |
| 11 | 9/12034 | Schroef | Schraube | Skruer | Vite | | | M12 x 70 | | 2 |
| 12 | 10-406-1200 | Afdichtring | Scheibe | Spændeskive | Rondella | | → 204324 | | | 2 |
| 12 | 4/1218 | Afdichtring | Scheibe | Spændeskive | Rondella | | → 204325 | | | 2 |
| 13 | 971/99101 | Hendel | Hebel | Arm | Leva | | | | | 1 |
| 14 | 3/0075 | Spirol-pen | Spirol-Zapfen | Spirol-stift | Perno Spirol | | | | 5 x 26 | 1 |
| 15 | 971/10800 | Trigger Kit | | | | | | | | 1 |
| 16 | 7/8015 | Schroef | Schraube | Skruer | Vite | | → 204325 | | | 2 |



**Deksel Bouwdeel, Obere Abdeckung,
Top Dæksel, Assemblaggio Copertura**

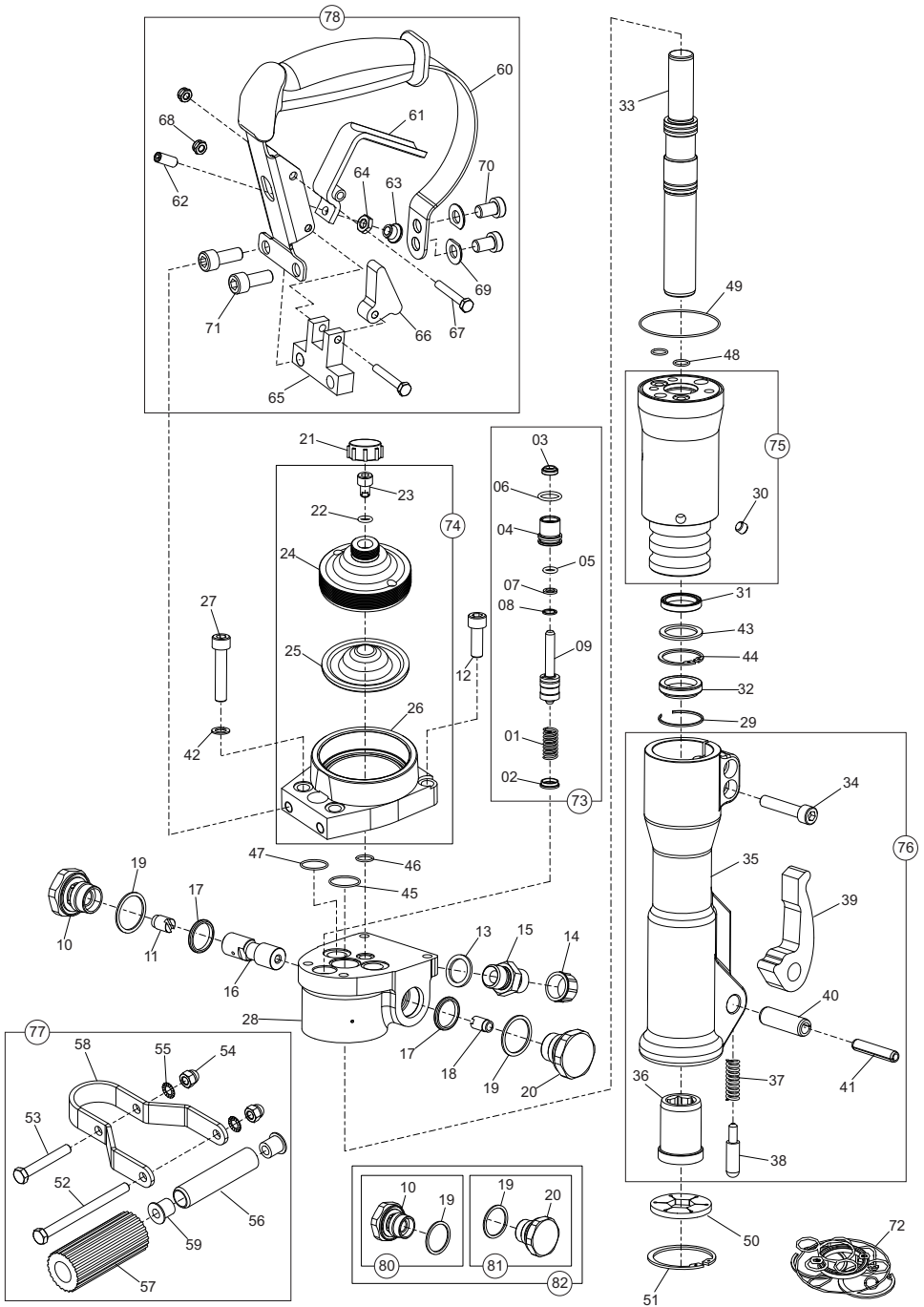
| | | | | | | | | | | |
|-----|-------------|-------|------------------|------------------|-----------------|-------|------------------|-------|----------|---|
| 1 | 01949-00 | | UD Head Machined | | Håndtag | | Impugnatura | | → 204324 | 1 |
| 2 | 01997 | | Hendel | Griff | Håndtag | | Impugnatura | | → 204324 | 1 |
| 2 | 02392 | | Hendel | Griff | Håndtag | | Impugnatura | | → 204324 | 1 |
| 3 | 01998 | | Hendel | Griff | Håndtag | | Impugnatura | | → 204324 | 1 |
| 3 | 02393 | | Hendel | Griff | Håndtag | | Impugnatura | | → 204325 | 1 |
| 3 | 01998 | | Hendel | Griff | Håndtag | | Impugnatura | | → 204325 | 1 |
| 4 | 02203-00 | | Trekker | Ausløser | Aftrækker | | Innesco | | | 1 |
| 5 | 3/0074 | | Spirol-pen | Spirol-Zapfen | Spirol-stift | | Perno Spirol | | 10 x 45 | 2 |
| 6 | 3/0075 | | Spirol-pen | Spirol-Zapfen | Spirol-stift | | Perno Spirol | | 5 x 26 | 1 |
| 7 | 971/99101 | | Hendel | Hebel | Arm | | Leva | | | 1 |
| 8 | 01873 | | Veer | Feder | Fjeder | | Molla | | | 1 |
| 9 | 01931 | | Afdichtring | Scheibe | Spændeskive | | Rondella | | | 1 |
| 10 | 10-404-2000 | | Afdichtring | Scheibe | Spændeskive | | Rondella | | | 1 |
| 11 | 01999 | | Handgripen | Handgriffe | Håndgreb | | Guancette | | → 204324 | 2 |
| 11 | 971/99108 | | Handgripen | Handgriffe | Håndgreb | | Guancette | | → 204325 | 2 |
| 12 | 10-406-1200 | | Afdichtring | Scheibe | Spændeskive | | Rondella | | M12 | 2 |
| 13 | 971/99102 | | Kap | Kappe | Hætte | | Cappuccio | | | 1 |
| *14 | 971/14000 | | Sluiting Kit | Befestigungssatz | Befæstelser Kit | | Kit di Fissaggio | | → 205035 | 2 |
| 14 | 9/12046 | | Schroef | Schraube | Skru | | Vite | | → 205036 | 2 |
| 15 | 02307 | | Ring | Ring | Ring | | Anello | | | 2 |
| 16 | 01957 | | Bearing | Roulement | Cojinete | | Rolamento | | | 2 |
| 17 | 01994 | | Kap | Kappe | Hætte | | Cappuccio | | | 2 |
| 18 | M 486910S | | Veer | Feder | Fjeder | | Molla | | | 2 |
| 19 | 02306 | | Buis | Rohrstück | Rør | | Tubo | | | 2 |
| 20 | 02012 | | Buffer | Puffer | Kofanger | | Respingente | | BHB 25X | 2 |
| 21 | 2/0062 | | Veer | Feder | Fjeder | | Molla | | | 1 |
| 22 | 971/10800 | | Trigger Kit | | | | | | | 1 |
| 23 | 7/8015 | | Schroef | Schraube | Skru | | Vite | | → 204325 | 2 |
| 24 | 21/0395 | | Buffer | Puffer | Kofanger | | Respingente | | BHB 27X | 1 |
| 25 | 971/99109 | | Afdichtring | Scheibe | Spændeskive | | Rondella | | → 205036 | 1 |

* Fastener Kit includes 2 x Item 12, 2 x Item 14 & 1 x Item 25



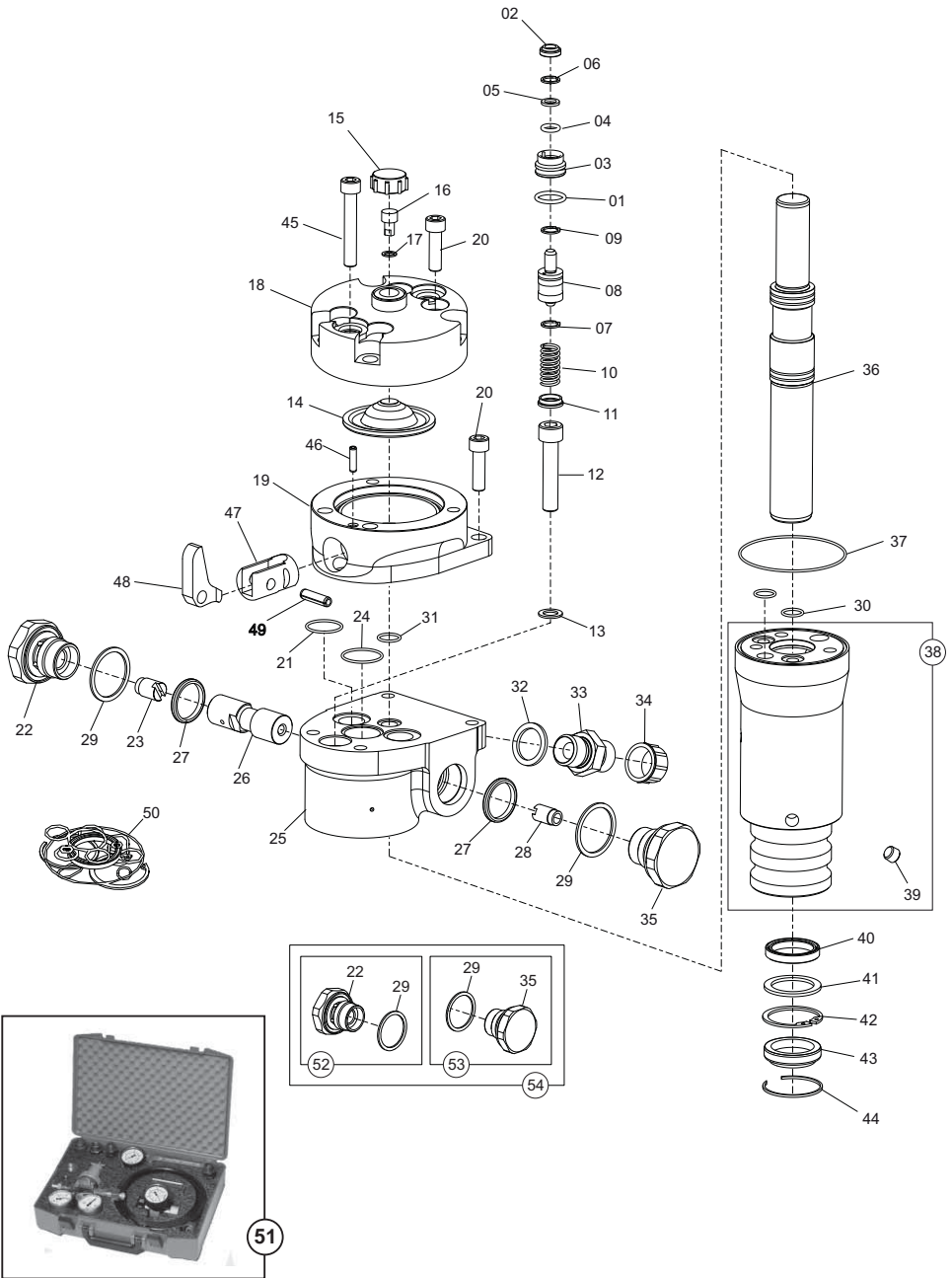
Main Assembly, Ensemble Principal, Conjunto Principal, Conjunto Principal

| | | | | | | |
|----|-----------|--------------------------|--------------------------|---------------------------|-------------------------|---------------|
| 1 | 971/00801 | Spring | Ressort | Resorte | Mola | 1 |
| 2 | 971/00802 | Washer | Rondelle | Arandela | Anilha | 1 |
| 3 | 971/00803 | Seal | Joint d'étanchéité | Obturator | Vedante | ø8/14 x 3.5/5 |
| 4 | 971/00804 | Gland | Presse-étoupe | Prensaestopas | Bucha | 1 |
| 5 | 971/00805 | O-Ring | Joint torique | Junta tórica | Anel Vedante | ø8.3 x 2.4 |
| 6 | 971/00806 | O-Ring | Joint torique | Junta tórica | Anel Vedante | ø16.3 x 2.4 |
| 7 | 971/00807 | Ring | Bague | Anillo | Anel | 1 |
| 8 | 971/00808 | Circlip | Circlip | Resorte circular | Grampo circular | 1 |
| 9 | 971/00809 | Spool | Tiroir | Carrete | Carretel | 1 |
| 10 | 971/99001 | Socket | Prise | Enchufe | Tomada | T |
| 11 | 971/99002 | Spool | Tiroir | Carrete | Carretel | T |
| 12 | 7/1004 | Screw | Vis | Tornillo | Parafuso | M10 x 35 |
| 13 | 971/99004 | Seal | Joint d'étanchéité | Obturator | Vedante | ½ BSP |
| 14 | 971/99005 | Cap | Capuchon | Casquete | Tampa | ½ BSP |
| 15 | 971/99006 | Nipple | Téton femelle | Tétón | Bocal | ½ BSP (T) |
| 16 | 971/99007 | Spool | Tiroir | Carrete | Carretel | 1 |
| 17 | 971/99008 | O-Ring | Joint torique | Junta tórica | Anel Vedante | ø24,2 x 3 |
| 18 | 971/99009 | Spool | Tiroir | Carrete | Carretel | P |
| 19 | 971/99010 | O-Ring | Joint torique | Junta tórica | Anel Vedante | ø33 x 2 |
| 20 | 971/99011 | Socket | Prise | Enchufe | Tomada | P |
| 21 | 971/00201 | Nut | Ecrou | Tuerca | Porca | M24 x 1.5 |
| 22 | 971/00202 | Seal | Joint d'étanchéité | Obturator | Vedante | ø8,7/13 x 1 |
| 23 | 971/00203 | Screw | Vis | Tornillo | Parafuso | 1 |
| 24 | 971/00204 | Cover | Capot | Cubierta | Tampa | 1 |
| 25 | 971/00205 | Diaphragm | Diaphragme | Diafragma | Diafragma | 1 |
| 26 | 971/00206 | Body | Carène | Cuerpo | Corpo | 1 |
| 27 | 971/99012 | Screw | Vis | Tornillo | Parafuso | M10 x 50 |
| 28 | 971/99013 | Body | Carène | Cuerpo | Corpo | 1 |
| 29 | 971/99014 | Ring | Bague | Anillo | Anel | 1 |
| 30 | 971/00301 | Fitting | Fixation | Accesorio | Encaixe | 1 |
| 31 | 971/99015 | Seal | Joint d'étanchéité | Obturator | Vedante | ø28/36 x 5.7 |
| 32 | 971/99016 | Seal | Joint d'étanchéité | Obturator | Vedante | ø28/38 x 7/10 |
| 33 | 971/99017 | Piston | Piston | Pistón | Pistão | 1 |
| 34 | 7/10017 | Screw | Vis | Tornillo | Parafuso | M10 x 50 |
| 35 | 971/00401 | Nose Piece | Extrémité | Ojiva | Encabadouro | HEX 22 |
| 36 | 971/00402 | Bush | Douille | Buje | Bucha | HEX 22 |
| 37 | 971/00403 | Spring | Ressort | Resorte | Mola | 1 |
| 38 | 971/00404 | Pin | Goupille | Pivote | Pino | 1 |
| 39 | 971/00405 | Latch | Verrou | Cerrojo | Trinco | 1 |
| 40 | 971/00406 | Roll Pin | Goupille fendue | Pivote de rodillo | Pino cilíndrico | ø16 x 50 |
| 41 | 971/00407 | Roll Pin | Goupille fendue | Pivote de rodillo | Pino cilíndrico | ø10 x 50 |
| 42 | 971/99018 | Washer | Rondelle | Arandela | Anilha | 1 |
| 43 | 971/99019 | Washer | Rondelle | Arandela | Anilha | ø28,7/38 x 2 |
| 44 | 971/99020 | Circlip | Circlip | Resorte circular | Grampo circular | 1 |
| 45 | 971/99021 | O-Ring | Joint torique | Junta tórica | Anel Vedante | ø25 x 1.5 |
| 46 | 971/99022 | O-Ring | Joint torique | Junta tórica | Anel Vedante | ø13 x 1.5 |
| 47 | 971/99023 | O-Ring | Joint torique | Junta tórica | Anel Vedante | ø22 x 1.5 |
| 48 | 971/99024 | O-Ring | Joint torique | Junta tórica | Anel Vedante | ø12 x 1.5 |
| 49 | 971/99025 | O-Ring | Joint torique | Junta tórica | Anel Vedante | ø69 x 1.5 |
| 50 | 971/99026 | Bellows | Soufflet | Fuelles | Fole | 1 |
| 51 | 971/99027 | Circlip | Circlip | Resorte circular | Grampo circular | ø57 x 2 |
| 52 | 971/00501 | Screw | Vis | Tornillo | Parafuso | M10 x 130 |
| 53 | 971/00502 | Screw | Vis | Tornillo | Parafuso | M10 x 70 |
| 54 | 8/10006 | Nut | Ecrou | Tuerca | Porca | 1 |
| 55 | 4/1004 | Washer | Rondelle | Arandela | Anilha | ø10 |
| 56 | 971/00505 | Tube | Tube | Tubo | Tubo | 1 |
| 57 | 971/00506 | Handle | Guidon | Manillar | Pega | 1 |
| 58 | 971/00507 | Bracket | Patte de support | Escuadra | Suporte | 1 |
| 59 | 971/00508 | Bush | Douille | Buje | Bucha | 2 |
| 60 | 971/00601 | Handle | Guidon | Manillar | Pega | 1 |
| 61 | 971/00602 | Trigger | Déclenchement | Disparador | Gatilho | 1 |
| 62 | 7/8001 | Screw | Vis | Tornillo | Parafuso | M8 x 30 |
| 63 | 971/00604 | Pad | Tampón | Tampón | Bloco | 1 |
| 64 | 971/00605 | Nut | Ecrou | Tuerca | Porca | M8 |
| 65 | 971/00606 | Backstop | | | | 1 |
| 66 | 971/00607 | Latch | Verrou | Cerrojo | Trinco | 1 |
| 67 | 971/00608 | Screw | Vis | Tornillo | Parafuso | M6 x 40 |
| 68 | 8/6007 | Nut | Ecrou | Tuerca | Porca | M6 |
| 69 | 971/00610 | Washer | Rondelle | Arandela | Anilha | ø10 |
| 70 | 971/00611 | Screw | Vis | Tornillo | Parafuso | M10 x 16 |
| 71 | 971/00612 | Screw | Vis | Tornillo | Parafuso | M10 x 25 |
| 72 | 971/00700 | Seal Kit | Jeu étanchéité | Juego retenes | Conjunto de Vedante | 1 |
| 73 | 971/00800 | Trigger Assembly | Ensemble Déclenchement | Conjunto de Disparador | Conjunto de Gatilho | 1 |
| 74 | 971/00200 | Accumulator Assembly | | | | 1 |
| 75 | 971/00300 | Cylinder | Vérin | Cilindro | Cilindro | 1 |
| 76 | 971/00400 | Nose Assembly | Corps de marteau complet | Montaje Cuerpo Intermedio | Conjunto do Encabadouro | 1 |
| 77 | 971/00500 | Handle Assembly | Ensemble Guidon | Conjunto de Manillar | Conjunto do Pega | 1 |
| 78 | 971/00600 | Handle Assembly | Ensemble Guidon | Conjunto de Manillar | Conjunto do Pega | 1 |
| 79 | 971/10700 | Accumulator Charging Kit | Jeu accumulateur | Juego acumulador | Conjunto acumulador | 1 |
| 80 | 971/15000 | Spool Cap Kit | Kit de bouchon de bobine | Kit de tapa de carrete | kit de carretel | (T) |
| 81 | 971/16000 | Spool Cap Kit | Kit de bouchon de bobine | Kit de tapa de carrete | kit de carretel | (P) |
| 82 | 971/17000 | Spool Cap Kit | Kit de bouchon de bobine | Kit de tapa de carrete | kit de carretel | (T & P) |



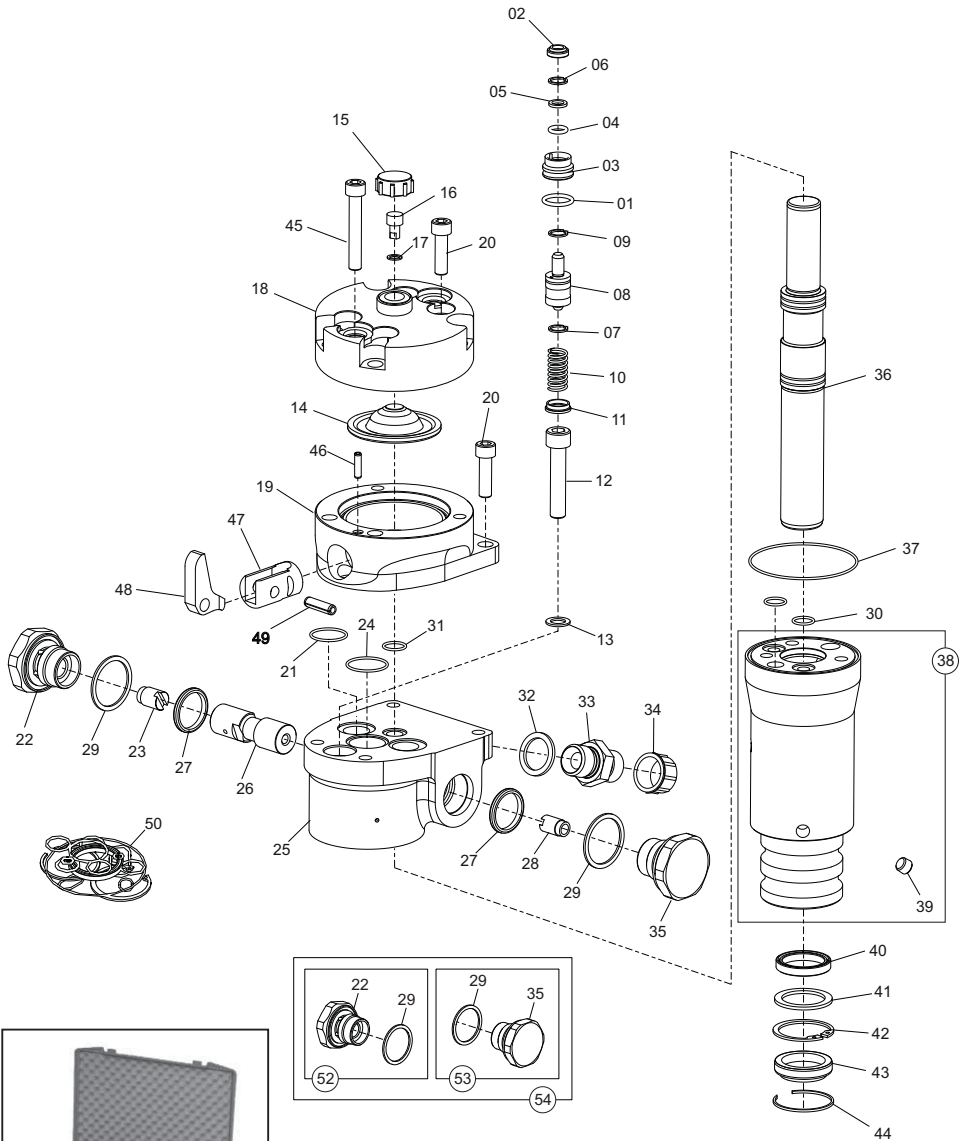
Hoofdframe, Haupt-Zsb., Hovedenhed, Gruppo Principale

| | | | | | | |
|----|-----------|----------------------|-------------------|----------------------|---------------------------|---------------|
| 1 | 971/00801 | Veer | Feder | Fjeder | Molla | 1 |
| 2 | 971/00802 | Afdichting | Scheibe | Spændeskive | Rondella | 1 |
| 3 | 971/00803 | Afdichting | Dichtung | Tætning | Tenuta | 1 |
| 4 | 971/00804 | Pakkingbus | Durchführung | Pakdase | Premistoppa | ø8/14 x 3.5/5 |
| 5 | 971/00805 | O-Ring | O-Ring | O-Ring | O-Ring | ø8.3 x 2.4 |
| 6 | 971/00806 | O-Ring | O-Ring | O-Ring | O-Ring | ø16.3 x 2.4 |
| 7 | 971/00807 | Ring | Ring | Ring | Anello | 1 |
| 8 | 971/00808 | Borgveer | Sprengring | Låsering | Anello elastico | 1 |
| 9 | 971/00809 | Spoel | Steuerschieber | Ventilgilder | Rocchetto | 1 |
| 10 | 971/99001 | Mof | Buchsenausführung | Stikdase | Presa | T |
| 11 | 971/99002 | Spoel | Steuerschieber | Ventilgilder | Rocchetto | T |
| 12 | 7/1004 | Schroef | Schraube | Skrue | Vite | M10 x 35 |
| 13 | 971/99004 | Afdichting | Dichtung | Tætning | Tenuta | ½ BSP |
| 14 | 971/99005 | Kap | Kappe | Hætte | Cappuccio | ½ BSP |
| 15 | 971/99006 | Nippel | Nippel | Nippel | Nipplo | ½ BSP (T) |
| 16 | 971/99007 | Spoel | Steuerschieber | Ventilgilder | Rocchetto | 1 |
| 17 | 971/99008 | O-Ring | O-Ring | O-Ring | O-Ring | ø24,2 x 3 |
| 18 | 971/99009 | Spoel | Steuerschieber | Ventilgilder | Rocchetto | P |
| 19 | 971/99010 | O-Ring | O-Ring | O-Ring | O-Ring | ø33 x 2 |
| 20 | 971/99011 | Mof | Buchsenausführung | Stikdase | Presa | P |
| 21 | 971/00201 | Moer | Mutter | Møtrik | Dado | M24 x 1.5 |
| 22 | 971/00202 | Afdichting | Dichtung | Tætning | Tenuta | ø8,7/13 x 1 |
| 23 | 971/00203 | Schroef | Schraube | Skrue | Vite | 1 |
| 24 | 971/00204 | Deksel | Abdeckung | Kappe | Copertura | 1 |
| 25 | 971/00205 | Diafragma | Membrane | Membran | Diaframma | 1 |
| 26 | 971/00206 | Huis | Gehäuse | Hoveddel | Corpo | 1 |
| 27 | 971/99012 | Schroef | Schraube | Skrue | Vite | M10 x 50 |
| 28 | 971/99013 | Huis | Gehäuse | Hoveddel | Corpo | 1 |
| 29 | 971/99014 | Ring | Ring | Ring | Anello | 1 |
| 30 | 971/00301 | Fitting | Armatur | Fittings | Accessorio | 1 |
| 31 | 971/99015 | Afdichting | Dichtung | Tætning | Tenuta | ø28/36 x 5.7 |
| 32 | 971/99016 | Afdichting | Dichtung | Tætning | Tenuta | ø28/38 x 7/10 |
| 33 | 971/99017 | Zuiger | Kolben | Zuiger | Stantuffo | 1 |
| 34 | 7/10017 | Schroef | Schraube | Skrue | Vite | M10 x 50 |
| 35 | 971/00401 | Neusstuk | Frontverkleidung | Mejselholder | Estremità | HEX 22 |
| 36 | 971/00402 | Bus | Buchse | Bøsning | Boccola | HEX 22 |
| 37 | 971/00403 | Veer | Feder | Fjeder | Molla | 1 |
| 38 | 971/00404 | Pen | Zapfen | Stift | Perno | 1 |
| 39 | 971/00405 | Grendel | Riegel | Grendel | Dispositivo di bloccaggio | 1 |
| 40 | 971/00406 | Spanstift | Zapfen, zylindr. | Valsetap | Perno cilindrico | ø16 x 50 |
| 41 | 971/00407 | Spanstift | Zapfen, zylindr. | Valsetap | Perno cilindrico | ø10 x 50 |
| 42 | 971/99018 | Afdichting | Scheibe | Spændeskive | Rondella | 1 |
| 43 | 971/99019 | Afdichting | Scheibe | Spændeskive | Rondella | ø28,7/38 x 2 |
| 44 | 971/99020 | Borgveer | Sprengring | Låsering | Anello elastico | 1 |
| 45 | 971/99021 | O-Ring | O-Ring | O-Ring | O-Ring | ø25 x 1.5 |
| 46 | 971/99022 | O-Ring | O-Ring | O-Ring | O-Ring | ø13 x 1.5 |
| 47 | 971/99023 | O-Ring | O-Ring | O-Ring | O-Ring | ø22 x 1.5 |
| 48 | 971/99024 | O-Ring | O-Ring | O-Ring | O-Ring | ø12 x 1.5 |
| 49 | 971/99025 | O-Ring | O-Ring | O-Ring | O-Ring | ø69 x 1.5 |
| 50 | 971/99026 | Balg | Balgen | Blæsebølg | Soffietti | 1 |
| 51 | 971/99027 | Borgveer | Sprengring | Låsering | Anello elastico | ø57 x 2 |
| 52 | 971/00501 | Schroef | Schraube | Skrue | Vite | M10 x 130 |
| 53 | 971/00502 | Schroef | Schraube | Skrue | Vite | M10 x 70 |
| 54 | 8/10006 | Moer | Mutter | Møtrik | Dado | M8 |
| 55 | 4/1004 | Afdichting | Scheibe | Spændeskive | Rondella | ø10 |
| 56 | 971/00505 | Buis | Rohrstück | Rør | Tubo | 1 |
| 57 | 971/00506 | Hendel | Griff | Håndtag | Impugnatura | 1 |
| 58 | 971/00507 | Steu | Halterung | Beslag | Staffa | 1 |
| 59 | 971/00508 | Bus | Buchse | Bøsning | Boccola | 2 |
| 60 | 971/00601 | Hendel | Griff | Håndtag | Impugnatura | 1 |
| 61 | 971/00602 | Trekker | Auslöser | Aftrækker | Innesco | 1 |
| 62 | 7/8001 | Schroef | Schraube | Skrue | Vite | M8 x 30 |
| 63 | 971/00604 | Onderplaat | Rüttelplatte | Klods | Tampone | 1 |
| 64 | 971/00605 | Moer | Mutter | Møtrik | Dado | M8 |
| 65 | 971/00606 | Backstop | | | | 1 |
| 66 | 971/00607 | Grendel | Riegel | Grendel | Dispositivo di bloccaggio | 1 |
| 67 | 971/00608 | Schroef | Schraube | Skrue | Vite | M6 x 40 |
| 68 | 8/6007 | Moer | Mutter | Møtrik | Dado | M6 |
| 69 | 971/00610 | Afdichting | Scheibe | Spændeskive | Rondella | ø10 |
| 70 | 971/00611 | Schroef | Schraube | Skrue | Vite | M10 x 16 |
| 71 | 971/00612 | Schroef | Schraube | Skrue | Vite | M10 x 25 |
| 72 | 971/00700 | Afdichtset | Dichtingsatz | Tætningssæt | Kit guarnizioni di tenuta | 1 |
| 73 | 971/00800 | Trekker | Auslöser zsb. | Aftrækker | Gruppo Innesco | 1 |
| 74 | 971/00200 | Accumulator Assembly | | | | 1 |
| 75 | 971/00300 | Cilinder | Zylinder | Cylinder | Completo | 1 |
| 76 | 971/00400 | Neusstuk bouwdeel | Nase kpl. | Hammer hoved komplet | Assemblaggio Naso | 1 |
| 77 | 971/00500 | Hendel | Griff-Zsb. | Håndtagsmontage | Gruppo impugnatura | 1 |
| 78 | 971/00600 | Hendel | Griff-Zsb. | Håndtagsmontage | Gruppo impugnatura | 1 |
| 79 | 971/10700 | Accumulator | Akkumulatorsatz | Akkumulator | Kit accumulatore | 1 |
| 80 | 971/15000 | Spoeldeksel Kit | Spulenkappen-Kit | Spule Cap Kit | Kit Rocchetto | (T) |
| 81 | 971/16000 | Spoeldeksel Kit | Spulenkappen-Kit | Spole Cap Kit | Kit Rocchetto | (P) |
| 82 | 971/17000 | Spoeldeksel Kit | Spulenkappen-Kit | Spole Cap Kit | Kit Rocchetto | (T & P) |



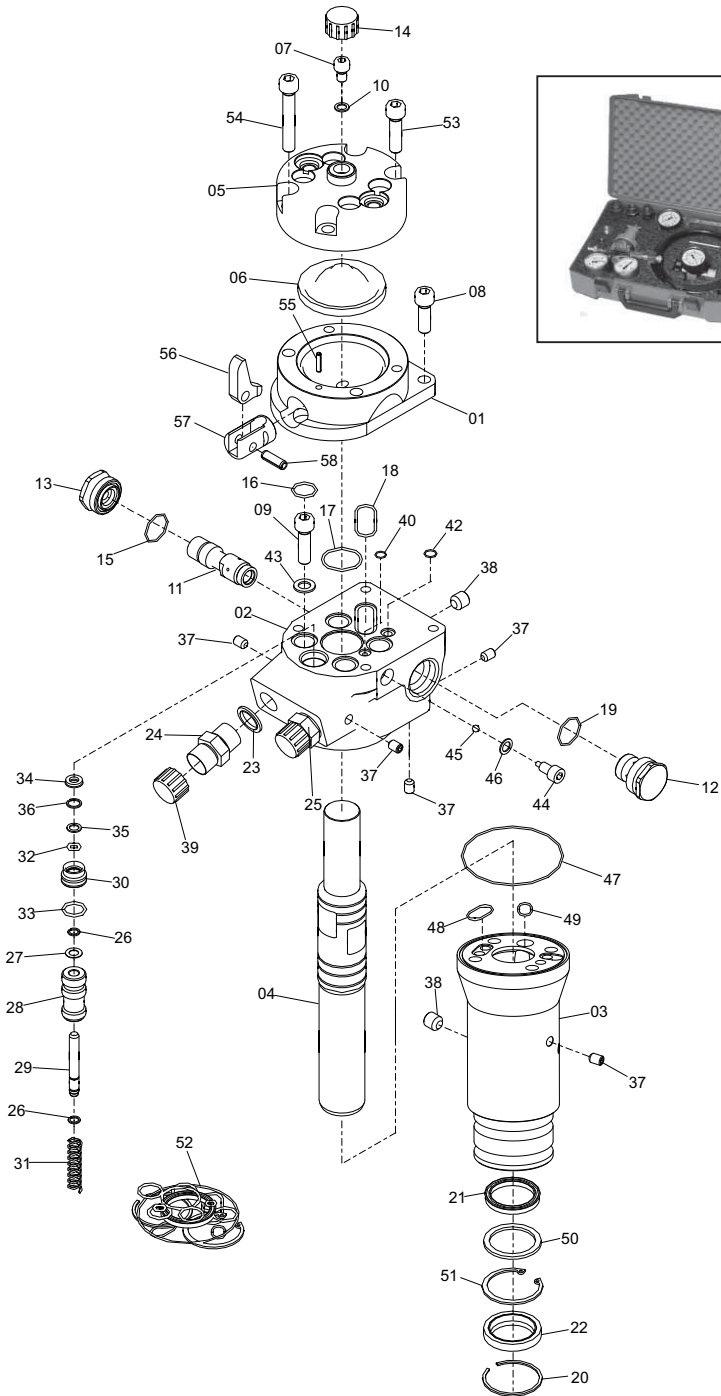
Main Assembly, Ensemble Principal, Conjunto Principal, Conjunto Principal

| | | | | | | | |
|----|-----------|--------------------------|--------------------------|------------------------|---------------------|-------------|----|
| 1 | 971/00806 | O-Ring | Joint torique | Junta tórica | Anel Vedante | ø16.3x2.4 | 1 |
| 2 | 971/00803 | Seal | Joint d'étanchéité | Obturador | Vedante | ø8/14x3.5/5 | 1 |
| 3 | 971/99028 | Gland | Presse-étoupe | Prensaestopas | Bucha | | 1 |
| 4 | 971/00805 | O-Ring | Joint torique | Junta tórica | Anel Vedante | ø8.3x2.4 | 1 |
| 5 | 971/00807 | Ring | Bague | Anillo | Anel | | 1 |
| 6 | 971/00808 | Circlip | Circlip | Resorte circular | Grampo circular | | 1 |
| 7 | 971/99029 | Circlip | Circlip | Resorte circular | Grampo circular | | 2 |
| 8 | 971/99030 | Spool | Tiroir | Carrete | Carretel | | 1 |
| 9 | 971/99031 | Rod | Tige | Varilla | Biela | | 1 |
| 10 | 971/00801 | Spring | Ressort | Resorte | Mola | | 1 |
| 11 | 971/00802 | Washer | Rondelle | Arandela | Anilha | | 1 |
| 12 | 7/10017 | Screw | Vis | Tornillo | Parafuso | M10x50 | 3 |
| 13 | 971/99018 | Washer | Rondelle | Arandela | Anilha | | 3 |
| 14 | 971/00205 | Diaphragm | Diaphragme | Diafragma | Diafragma | | 1 |
| 15 | 971/99033 | Cap | Capuchon | Casquete | Tampa | M24x1.5 | 1 |
| 16 | 971/00203 | Screw | Vis | Tornillo | Parafuso | | 1 |
| 17 | 971/00202 | Seal | Joint d'étanchéité | Obturador | Vedante | ø8.7/13x1 | 1 |
| 18 | 971/99034 | Cover | Capot | Cubierta | Tampa | | 1 |
| 19 | 971/99035 | Body | Carène | Cuerpo | Corpo | | 1 |
| 20 | 7/0006 | Screw | Vis | Tornillo | Parafuso | M10x30 | 4 |
| 21 | 971/99023 | O-Ring | Joint torique | Junta tórica | Anel Vedante | ø22x1.5 | 2 |
| 22 | 971/99001 | Socket | Prise | Enchufe | Tomada | T | 1 |
| 23 | 971/99002 | Spool | Tiroir | Carrete | Carretel | | 1 |
| 24 | 971/99021 | O-Ring | Joint torique | Junta tórica | Anel Vedante | ø25x1.5 | 1 |
| 25 | 971/99037 | Body | Carène | Cuerpo | Corpo | | 1 |
| 26 | 971/99038 | Spool | Tiroir | Carrete | Carretel | 1-Flat | 1 |
| 26 | 971/99007 | Spool | Tiroir | Carrete | Carretel | 2-Flat | 1 |
| 27 | 971/99008 | O-Ring | Joint torique | Junta tórica | Anel Vedante | ø24.2x3 | 2 |
| 28 | 971/99009 | Spool | Tiroir | Carrete | Carretel | P | 1 |
| 29 | 971/99010 | O-Ring | Joint torique | Junta tórica | Anel Vedante | ø33x2 | 2 |
| 30 | 971/99024 | O-Ring | Joint torique | Junta tórica | Anel Vedante | ø12x1.5 | 2 |
| 31 | 971/99022 | O-Ring | Joint torique | Junta tórica | Anel Vedante | ø13x1.5 | 1 |
| 32 | 971/99004 | Seal | Joint d'étanchéité | Obturador | Vedante | | 2 |
| 33 | 971/99006 | Nipple | Téton femelle | Tetón | Bocal | ½ BSP (T) | 2 |
| 33 | 971/99039 | Nipple | Téton femelle | Tetón | Bocal | ½ JIC (T) | 2 |
| 34 | 971/99005 | Cap | Capuchon | Casquete | Tampa | ½" BSP | 2 |
| 34 | 971/99040 | Cap | Capuchon | Casquete | Tampa | ½" JIC | 2 |
| 35 | 971/99011 | Socket | Prise | Enchufe | Tomada | P | 1 |
| 36 | 971/99017 | Piston | Piston | Pistón | Pistão | | 1 |
| 37 | 971/99025 | O-Ring | Joint torique | Junta tórica | Anel Vedante | ø69x1.5 | 1 |
| 38 | 971/00900 | Cylinder | Vérin | Cilindro | Cilindro | | 1 |
| 39 | 971/00301 | Fitting | Fixation | Accesorio | Encaixe | | 4 |
| 40 | 971/99015 | Seal | Joint d'étanchéité | Obturador | Vedante | ø28/36x5.7 | 1 |
| 41 | 971/99019 | Washer | Rondelle | Arandela | Anilha | ø28.7/38x2 | 1 |
| 42 | 971/99020 | Circlip | Circlip | Resorte circular | Grampo circular | | 1 |
| 43 | 971/99016 | Afdichting | Dichtung | Tætning | Tenuta | ø28/38x7/10 | 1 |
| 44 | 971/99014 | Ring | Bague | Anillo | Anel | | 1 |
| 45 | 9/10014 | Screw | Vis | Tornillo | Parafuso | M10x70 | 2 |
| 46 | 971/99042 | Roll Pin | Goupille fendue | Pivote de rodillo | Pino cilíndrico | ø5x30 | 1 |
| 47 | 971/99043 | Support | Support | Soporte | Soporte | | 1 |
| 48 | 971/99044 | Lever | Levier | Palanca | Alavanca | | 1 |
| 49 | 971/99045 | Roll Pin | Goupille fendue | Pivote de rodillo | Pino cilíndrico | ø8x20 | 1 |
| 50 | 971/01000 | Seal Kit | Jeu étanchéité | Juego retenes | Conjunto de Vedante | | 10 |
| 51 | 971/10700 | Accumulator Charging Kit | Jeu accumulateur | Juego acumulador | Conjunto acumulador | | 1 |
| 52 | 971/15000 | Spool Cap Kit | Kit de bouchon de bobine | Kit de tapa de carrete | kit de carretel | (T) | 1 |
| 53 | 971/16000 | Spool Cap Kit | Kit de bouchon de bobine | Kit de tapa de carrete | kit de carretel | (P) | 1 |
| 54 | 971/17000 | Spool Cap Kit | Kit de bouchon de bobine | Kit de tapa de carrete | kit de carretel | (T & P) | 1 |



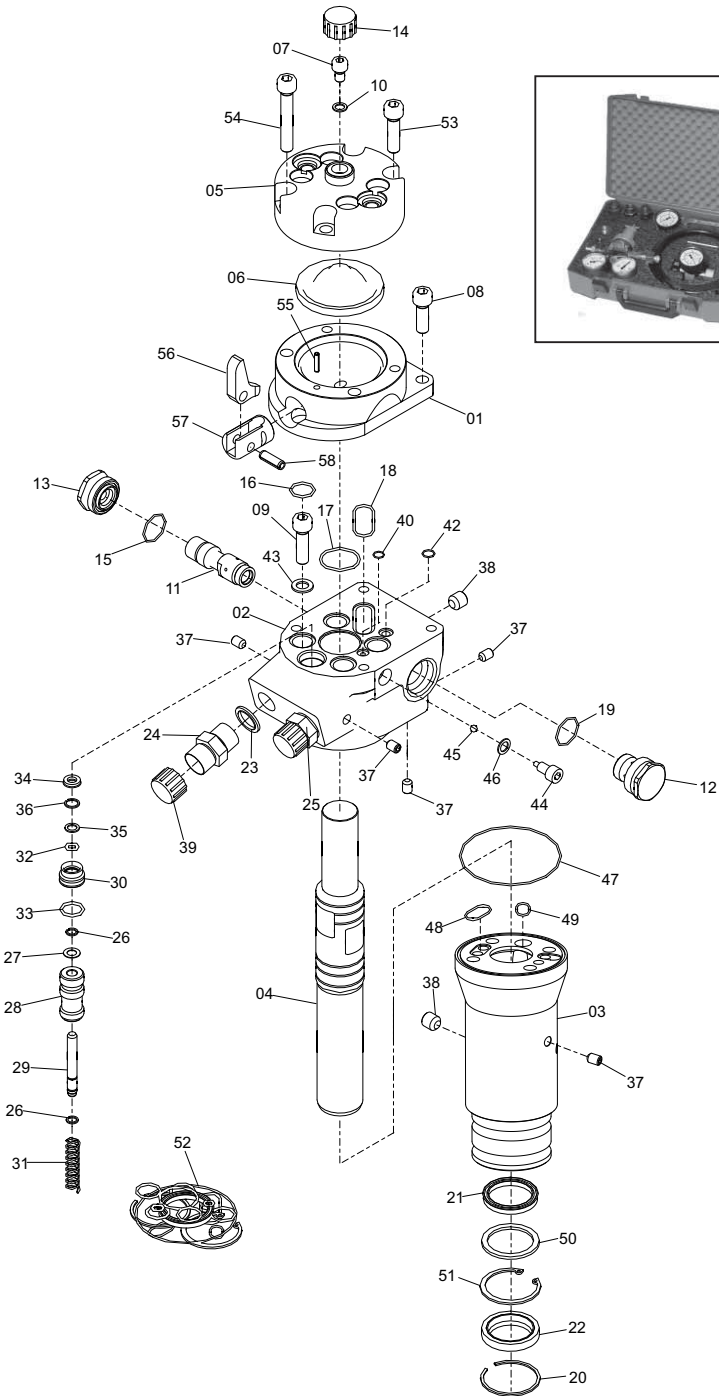
Hoofdframe, Haupt-Zsb., Hovedenhed, Gruppo Principale

| | | | | | | | |
|----|-----------|-----------------|-------------------|---------------|---------------------------|-------------|----|
| 1 | 971/00806 | O-Ring | O-Ring | O-Ring | O-Ring | ø16.3x2.4 | 1 |
| 2 | 971/00803 | Afdichting | Dichtung | Tætning | Tenuta | ø8/14x3.5/5 | 1 |
| 3 | 971/99028 | Pakkingbus | Durchführung | Pakdfase | Premistoppa | | 1 |
| 4 | 971/00805 | O-Ring | O-Ring | O-Ring | O-Ring | ø8.3x2.4 | 1 |
| 5 | 971/00807 | Ring | Ring | Ring | Anello | | 1 |
| 6 | 971/00808 | Borgveer | Sprengring | Låsering | Anello elastico | | 1 |
| 7 | 971/99029 | Borgveer | Sprengring | Låsering | Anello elastico | | 2 |
| 8 | 971/99030 | Spoel | Steuerschieber | Ventilglider | Rocchetto | | 1 |
| 9 | 971/99031 | Staafl | Stange | Root | Asta | | 1 |
| 10 | 971/00801 | Veer | Feder | Fjeder | Molla | | 1 |
| 11 | 971/00802 | Afdichting | Scheibe | Spændeskive | Rondella | | 1 |
| 12 | 7/10017 | Schroef | Schraube | Skruue | Vite | M10x50 | 3 |
| 13 | 971/99018 | Afdichting | Scheibe | Spændeskive | Rondella | | 1 |
| 14 | 971/00205 | Diafragma | Membrane | Membran | Diaframma | | 1 |
| 15 | 971/99033 | Kap | Kappe | Hætte | Cappuccio | M24x1.5 | 1 |
| 16 | 971/00203 | Schroef | Schraube | Skruue | Vite | | 1 |
| 17 | 971/00202 | Afdichting | Dichtung | Tætning | Tenuta | ø8.7/13x1 | 1 |
| 18 | 971/99034 | Deksel | Abdeckung | Kappe | Copertura | | 1 |
| 19 | 971/99035 | Huis | Gehäuse | Hoveddel | Corpo | | 1 |
| 20 | 7/0006 | Schroef | Schraube | Skruue | Vite | M10x30 | 4 |
| 21 | 971/99023 | O-Ring | O-Ring | O-Ring | O-Ring | ø22x1.5 | 2 |
| 22 | 971/99001 | Mof | Buchsenaußführung | Stikdåse | Presa | T | 1 |
| 23 | 971/99002 | Spoel | Steuerschieber | Ventilglider | Rocchetto | | 1 |
| 24 | 971/99021 | O-Ring | O-Ring | O-Ring | O-Ring | ø25x1.5 | 1 |
| 25 | 971/99037 | Huis | Gehäuse | Hoveddel | Corpo | | 1 |
| 26 | 971/99038 | Spoel | Steuerschieber | Ventilglider | Rocchetto | 1-Flat | 1 |
| 26 | 971/99007 | Spoel | Steuerschieber | Ventilglider | Rocchetto | 2-Flat | 1 |
| 27 | 971/99008 | O-Ring | O-Ring | O-Ring | O-Ring | ø24.2x3 | 2 |
| 28 | 971/99009 | Spoel | Steuerschieber | Ventilglider | Rocchetto | P | 1 |
| 29 | 971/99010 | O-Ring | O-Ring | O-Ring | O-Ring | ø33x2 | 2 |
| 30 | 971/99024 | O-Ring | O-Ring | O-Ring | O-Ring | ø12x1.5 | 2 |
| 31 | 971/99022 | O-Ring | O-Ring | O-Ring | O-Ring | ø13x1.5 | 1 |
| 32 | 971/99004 | Afdichting | Dichtung | Tætning | Tenuta | | 2 |
| 33 | 971/99006 | Nippel | Nippel | Nippel | Nipplo | ½ BSP (T) | 2 |
| 33 | 971/99039 | Nippel | Nippel | Nippel | Nipplo | ½ JIC (T) | 2 |
| 34 | 971/99005 | Kap | Kappe | Hætte | Cappuccio | ½" BSP | 2 |
| 34 | 971/99040 | Kap | Kappe | Hætte | Cappuccio | ½" JIC | 2 |
| 35 | 971/99011 | Mof | Buchsenaußführung | Stikdåse | Presa | P | 1 |
| 36 | 971/99017 | Zuiger | Kolben | Zuiger | Stantuffo | | 1 |
| 37 | 971/99025 | O-Ring | O-Ring | O-Ring | O-Ring | ø69x1.5 | 1 |
| 38 | 971/00900 | Cilinder | Zylinder | Cylinder | Completo | | 1 |
| 39 | 971/00301 | Fitting | Armatur | Fittings | Accessorio | | 4 |
| 40 | 971/99015 | Afdichting | Dichtung | Tætning | Tenuta | ø28/36x5.7 | 1 |
| 41 | 971/99019 | Afdichting | Scheibe | Spændeskive | Rondella | ø28.7/38x2 | 1 |
| 42 | 971/99020 | Borgveer | Sprengring | Låsering | Anello elastico | | 1 |
| 43 | 971/99016 | Afdichting | Dichtung | Tætning | Tenuta | ø28/38x7/10 | 1 |
| 44 | 971/99014 | Ring | Ring | Ring | Anello | | 1 |
| 45 | 9/10014 | Schroef | Schraube | Skruue | Vite | M10x70 | 2 |
| 46 | 971/99042 | Spanstift | Zapfen, zylindr | Valsetap | Perno cilindrico | ø5x30 | 1 |
| 47 | 971/99043 | Steu | Halterung | Støtte | Supporto | | 1 |
| 48 | 971/99044 | Hendel | Hebel | Arm | Leva | | 1 |
| 49 | 971/99045 | Spanstift | Zapfen, zylindr | Valsetap | Perno cilindrico | ø8x20 | 1 |
| 50 | 971/01000 | Afdichtset | Dichtringsatz | Tætningssæt | Kit guarnizioni di tenuta | | 10 |
| 51 | 971/01000 | Accumulator | Akkumulatørsatz | Akkumulator | Kit accumulatore | | 1 |
| 52 | 971/15000 | Spoeldeksel Kit | Spulenkappen-Kit | Spole Cap Kit | Kit Rocchetto | (T) | 1 |
| 53 | 971/16000 | Spoeldeksel Kit | Spulenkappen-Kit | Spole Cap Kit | Kit Rocchetto | (P) | 1 |
| 54 | 971/17000 | Spoeldeksel Kit | Spulenkappen-Kit | Spole Cap Kit | Kit Rocchetto | (T & P) | 1 |



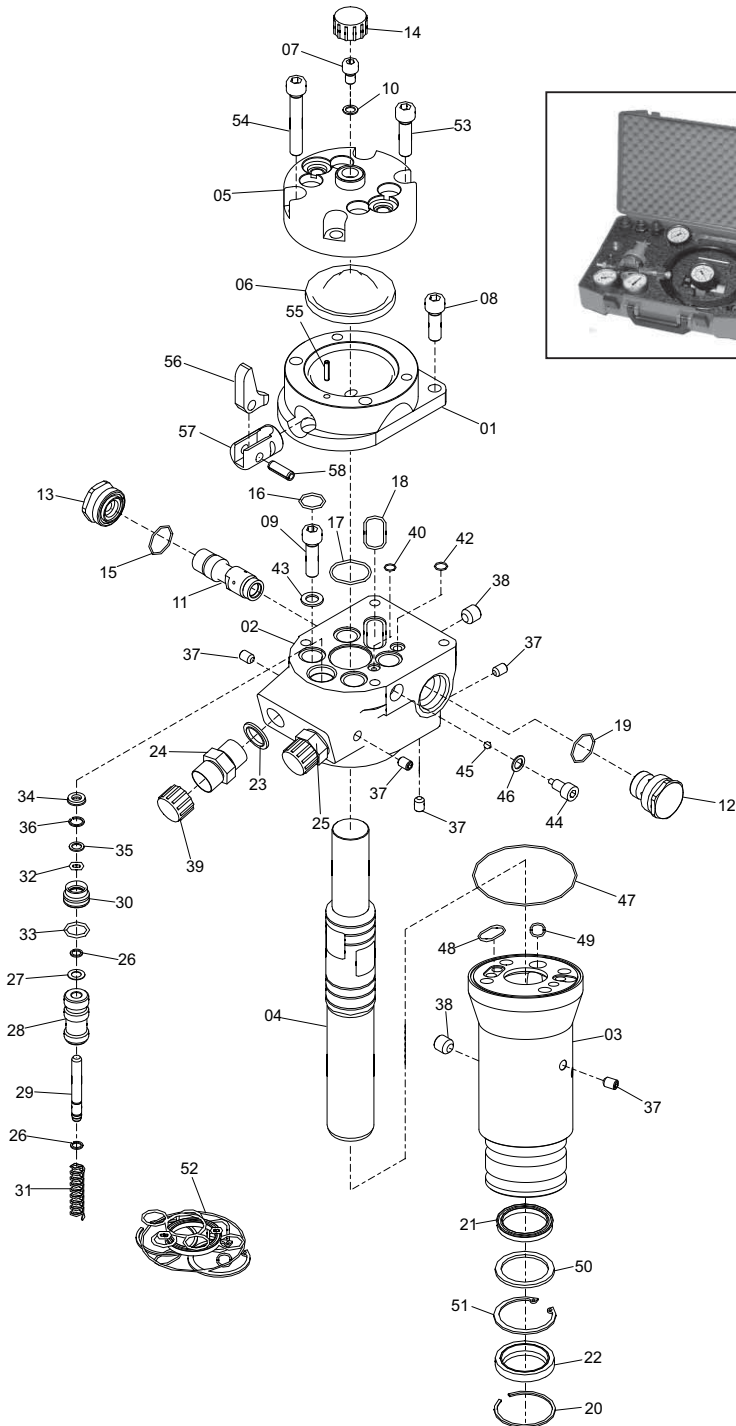
Main Assembly, Ensemble Principal, Conjunto Principal, Conjunto Principal

| | | | | | | |
|----|-----------|--------------------------|--------------------|-------------------|----------------------|------------------------|
| 1 | 971/99046 | Body | Carène | Cuerpo | Corpo | 1 |
| 2 | 971/01100 | Body | Carène | Cuerpo | Corpo | 1 |
| 3 | 971/01200 | Cylinder | Vérin | Cilindro | Cilindro | 1 |
| 4 | 971/99047 | Piston | Piston | Pistón | Pistão | 1 |
| 5 | 971/99049 | Cover | Capot | Cubierta | Tampa | 1 |
| 6 | 971/00205 | Diaphragm | Diaphragme | Diáfragma | Diáfragma | 1 |
| 7 | 971/00203 | Screw | Vis | Tornillo | Parafuso | 1 |
| 8 | 971/00612 | Screw | Vis | Tornillo | Parafuso | M10x25 |
| 9 | 71004 | Screw | Vis | Tornillo | Parafuso | M10x35 |
| 10 | 971/00202 | Seal | Joint d'étanchéité | Obturator | Vedante | ø8,7/13x1 |
| 11 | 971/99050 | Spool | Tiroir | Carrete | Carretel | 1 |
| 12 | 971/99051 | Socket | Prise | Enchufe | Tomada | 1 |
| 13 | 971/99052 | Socket | Prise | Enchufe | Tomada | 1 |
| 14 | 971/99033 | Cap | Capuchon | Casquete | Tampa | M24x1.5 |
| 15 | 971/99053 | O-Ring | Joint torique | Junta tórica | Anel Vedante | ø24x1.5 |
| 16 | 971/99054 | O-Ring | Joint torique | Junta tórica | Anel Vedante | ø18x2 |
| 17 | 971/99055 | O-Ring | Joint torique | Junta tórica | Anel Vedante | ø30x2 |
| 18 | 971/99056 | O-Ring | Joint torique | Junta tórica | Anel Vedante | ø32x2 |
| 19 | 971/99057 | O-Ring | Joint torique | Junta tórica | Anel Vedante | ø25.12x1.78 |
| 20 | 971/99058 | Ring | Bague | Anillo | Anel | 1 |
| 21 | 971/99059 | Seal | Joint d'étanchéité | Obturator | Vedante | ø32/40x6 |
| 22 | 971/99060 | Seal | Joint d'étanchéité | Obturator | Vedante | ø32/45x7/10 |
| 23 | 971/99004 | Seal | Joint d'étanchéité | Obturator | Vedante | ½" BSP |
| 24 | 971/99006 | Nipple | Téton femelle | Tetón | Bocal | ½ BSP w/o restriction |
| 24 | 971/99061 | Nipple | Téton femelle | Tetón | Bocal | ½ BSP 3.4mm restrictor |
| 24 | 971/99062 | Nipple | Téton femelle | Tetón | Bocal | ½ BSP 3.8mm restrictor |
| 25 | 971/99006 | Nipple | Téton femelle | Tetón | Bocal | ½ BSP w/o restriction |
| 26 | 971/99029 | Circlip | Circlip | Resorte circular | Grampo circular | 2 |
| 27 | 971/99064 | Shim | Cale | Cuña | Calço | 8x14x0.5 |
| 28 | 971/99065 | Spool | Tiroir | Carrete | Carretel | 1 |
| 29 | 971/99066 | Rod | Tige | Varilla | Bielá | 1 |
| 30 | 971/99028 | Gland | Presse-étoupe | Prensaestopas | Bucha | 1 |
| 31 | 971/99067 | Spring | Ressort | Resorte | Mola | 1 |
| 32 | 971/00805 | O-Ring | Joint torique | Junta tórica | Anel Vedante | ø8.3x2.4 |
| 33 | 971/00806 | O-Ring | Joint torique | Junta tórica | Anel Vedante | ø16.3x2.4 |
| 34 | 971/00803 | Seal | Joint d'étanchéité | Obturator | Vedante | ø8/14x3.5/5 |
| 35 | 971/00807 | Ring | Bague | Anillo | Anel | 1 |
| 36 | 971/00808 | Circlip | Circlip | Resorte circular | Grampo circular | 1 |
| 37 | 971/00301 | Fitting | Fixation | Accesorio | Encaixe | 6 |
| 38 | 971/99068 | Fitting | Fixation | Accesorio | Encaixe | 3 |
| 39 | 971/99005 | Cap | Capuchon | Casquete | Tampa | ½" BSP |
| 40 | 971/99069 | O-Ring | Joint torique | Junta tórica | Anel Vedante | ø6x2 |
| 41 | 910014 | Screw | Vis | Tornillo | Parafuso | M10x70 |
| 42 | 971/99070 | O-Ring | Joint torique | Junta tórica | Anel Vedante | ø8x2 |
| 43 | 971/99018 | Washer | Rondelle | Arandela | Anilha | 1 |
| 44 | 971/99071 | Washer | Rondelle | Arandela | Anilha | 1 |
| 45 | 971/99072 | Ball Bearing | Roulement à billes | Cojinete de Bolas | Rolamento de Esferas | 1 |
| 46 | 971/99073 | Seal | Joint d'étanchéité | Obturator | Vedante | ø9/14x1 |
| 47 | 971/99074 | O-Ring | Joint torique | Junta tórica | Anel Vedante | ø82x1.5 |
| 48 | 971/99075 | O-Ring | Joint torique | Junta tórica | Anel Vedante | ø16x1.5 |
| 49 | 971/99022 | O-Ring | Joint torique | Junta tórica | Anel Vedante | ø13x1.5 |
| 50 | 971/99076 | Washer | Rondelle | Arandela | Anilha | ø32.7/45x2.5 |
| 51 | 971/99077 | Ring | Bague | Anillo | Anel | 1 |
| 52 | 971/01400 | Seal Kit | Jeu étanchéité | Juego retenes | Conjunto de Vedante | 1 |
| 53 | 70006 | Screw | Vis | Tornillo | Parafuso | M10x30 |
| 54 | 910014 | Screw | Vis | Tornillo | Parafuso | M10x70 |
| 55 | 971/99042 | Roll Pin | Goupille fendue | Pivote de rodillo | Pino cilíndrico | ø5x30 |
| 56 | 971/99044 | Lever | Levier | Palanca | Alavanca | 1 |
| 57 | 971/99079 | Support | Support | Soporte | Soporte | 1 |
| 58 | 971/99045 | Roll Pin | Goupille fendue | Pivote de rodillo | Pino cilíndrico | ø8x20 |
| 59 | 971/10700 | Accumulator Charging Kit | Jeu accumulateur | Juego acumulador | Conjunto acumulador | 1 |



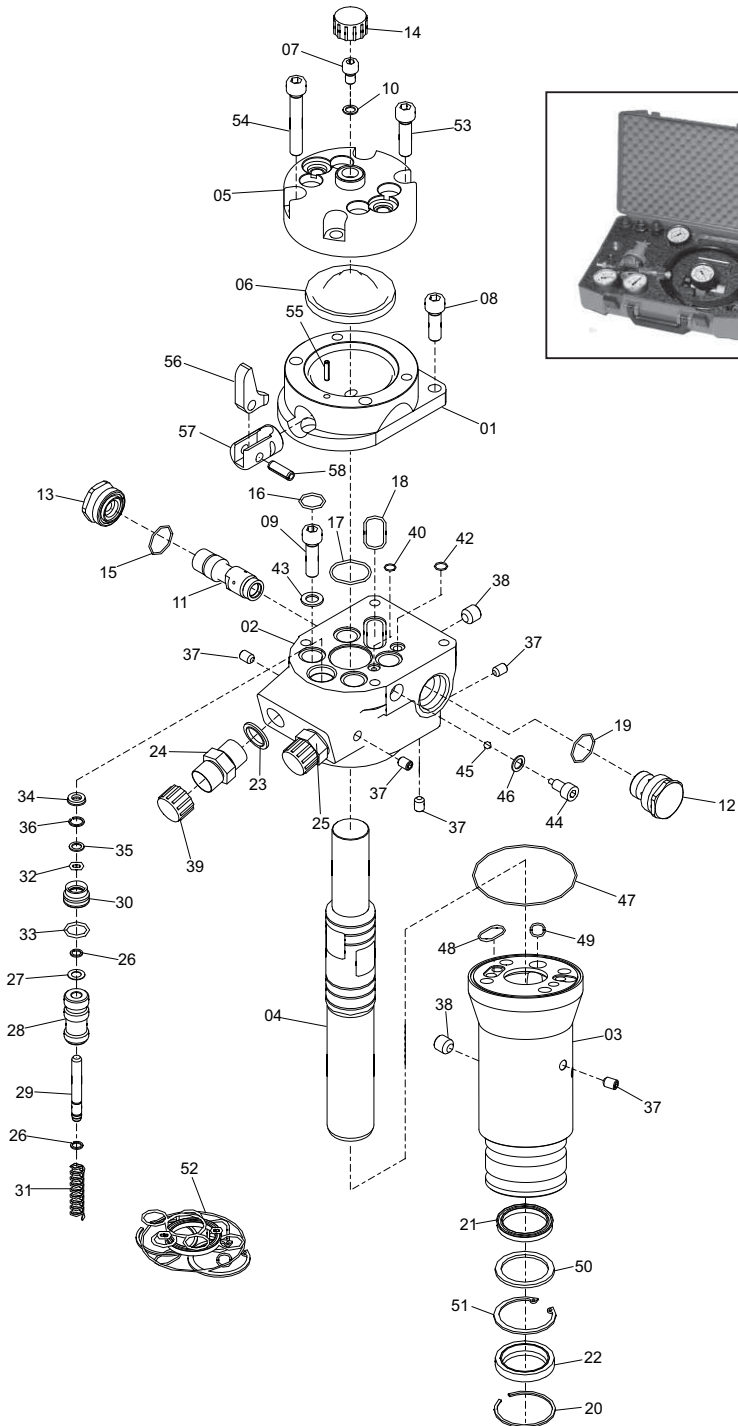
Hoofdframe, Haupt-Zsb., Hovedenhed, Gruppo Principale

| | | | | | | |
|----|-----------|--------------------------|--------------------|-------------------|----------------------|------------------------|
| 1 | 971/99046 | Body | Carène | Cuerpo | Corpo | 1 |
| 2 | 971/01100 | Body | Carène | Cuerpo | Corpo | 1 |
| 3 | 971/01200 | Cylinder | Vérin | Cilindro | Cilindro | 1 |
| 4 | 971/99047 | Piston | Piston | Pistón | Pistão | 1 |
| 5 | 971/99049 | Cover | Capot | Cubierta | Tampa | 1 |
| 6 | 971/00205 | Diaphragm | Diaphragme | Diaphragma | Diaphragma | 1 |
| 7 | 971/00203 | Screw | Vis | Tornillo | Parafuso | 1 |
| 8 | 971/00612 | Screw | Vis | Tornillo | Parafuso | M10x25 |
| 9 | 7/1004 | Screw | Vis | Tornillo | Parafuso | M10x35 |
| 10 | 971/00202 | Seal | Joint d'étanchéité | Obturator | Vedante | ø8,7/13x1 |
| 11 | 971/99050 | Spool | Tiroir | Carrete | Carretel | 1 |
| 12 | 971/99051 | Socket | Prise | Enchufe | Tomada | 1 |
| 13 | 971/99052 | Socket | Prise | Enchufe | Tomada | 1 |
| 14 | 971/99033 | Cap | Capuchon | Casquete | Tampa | M24x1.5 |
| 15 | 971/99053 | O-Ring | Joint torique | Junta tórica | Anel Vedante | ø24x1.5 |
| 16 | 971/99054 | O-Ring | Joint torique | Junta tórica | Anel Vedante | ø18x2 |
| 17 | 971/99055 | O-Ring | Joint torique | Junta tórica | Anel Vedante | ø30x2 |
| 18 | 971/99056 | O-Ring | Joint torique | Junta tórica | Anel Vedante | ø32x2 |
| 19 | 971/99057 | O-Ring | Joint torique | Junta tórica | Anel Vedante | ø25.12x1.78 |
| 20 | 971/99058 | Ring | Bague | Anillo | Anel | 1 |
| 21 | 971/99059 | Seal | Joint d'étanchéité | Obturator | Vedante | ø32/40x6 |
| 22 | 971/99060 | Seal | Joint d'étanchéité | Obturator | Vedante | ø32/45x7/10 |
| 23 | 971/99004 | Seal | Joint d'étanchéité | Obturator | Vedante | ½" BSP |
| 24 | 971/99006 | Nipple | Téton femelle | Tetón | Bocal | ½ BSP w/o restriction |
| 24 | 971/99061 | Nipple | Téton femelle | Tetón | Bocal | ½ BSP 3.4mm restrictor |
| 24 | 971/99062 | Nipple | Téton femelle | Tetón | Bocal | ½ BSP 3.8mm restrictor |
| 25 | 971/99006 | Nipple | Téton femelle | Tetón | Bocal | ½ BSP w/o restriction |
| 26 | 971/99029 | Circlip | Circlip | Resorte circular | Grampo circular | 2 |
| 27 | 971/99064 | Shim | Cale | Cuña | Calço | 8x14x0.5 |
| 28 | 971/99065 | Spool | Tiroir | Carrete | Carretel | 1 |
| 29 | 971/99066 | Rod | Tige | Varilla | Bielá | 1 |
| 30 | 971/99028 | Gland | Presse-étoupe | Prensaestopas | Bucha | 1 |
| 31 | 971/99067 | Spring | Ressort | Resorte | Mola | 1 |
| 32 | 971/00805 | O-Ring | Joint torique | Junta tórica | Anel Vedante | ø8.3x2.4 |
| 33 | 971/00806 | O-Ring | Joint torique | Junta tórica | Anel Vedante | ø16.3x2.4 |
| 34 | 971/00803 | Seal | Joint d'étanchéité | Obturator | Vedante | ø8/14x3.5/5 |
| 35 | 971/00807 | Ring | Bague | Anillo | Anel | 1 |
| 36 | 971/00808 | Circlip | Circlip | Resorte circular | Grampo circular | 1 |
| 37 | 971/00301 | Fitting | Fixation | Accesorio | Encaixe | 6 |
| 38 | 971/99068 | Fitting | Fixation | Accesorio | Encaixe | 3 |
| 39 | 971/99005 | Cap | Capuchon | Casquete | Tampa | ½" BSP |
| 40 | 971/99069 | O-Ring | Joint torique | Junta tórica | Anel Vedante | ø6x2 |
| 41 | 9/10014 | Screw | Vis | Tornillo | Parafuso | M10x70 |
| 42 | 971/99070 | O-Ring | Joint torique | Junta tórica | Anel Vedante | ø8x2 |
| 43 | 971/99018 | Washer | Rondelle | Arandela | Anilha | 1 |
| 44 | 971/99071 | Washer | Rondelle | Arandela | Anilha | 1 |
| 45 | 971/99072 | Ball Bearing | Roulement à billes | Cojinete de Bolas | Rolamento de Esferas | 1 |
| 46 | 971/99073 | Seal | Joint d'étanchéité | Obturator | Vedante | ø9/14x1 |
| 47 | 971/99074 | O-Ring | Joint torique | Junta tórica | Anel Vedante | ø82x1.5 |
| 48 | 971/99075 | O-Ring | Joint torique | Junta tórica | Anel Vedante | ø16x1.5 |
| 49 | 971/99022 | O-Ring | Joint torique | Junta tórica | Anel Vedante | ø13x1.5 |
| 50 | 971/99076 | Washer | Rondelle | Arandela | Anilha | ø32.7/45x2.5 |
| 51 | 971/99077 | Ring | Bague | Anillo | Anel | 1 |
| 52 | 971/01400 | Seal Kit | Jeu étanchéité | Juego retenes | Conjunto de Vedante | 1 |
| 53 | 7/0006 | Screw | Vis | Tornillo | Parafuso | M10x30 |
| 54 | 9/10014 | Screw | Vis | Tornillo | Parafuso | M10x70 |
| 55 | 971/99042 | Roll Pin | Goupille fendue | Pivote de rodillo | Pino cilíndrico | ø5x30 |
| 56 | 971/99044 | Lever | Levier | Palanca | Alavanca | 1 |
| 57 | 971/99079 | Support | Support | Soporte | Soporte | 1 |
| 58 | 971/99045 | Roll Pin | Goupille fendue | Pivote de rodillo | Pino cilíndrico | ø8x20 |
| 59 | 971/10700 | Accumulator Charging Kit | Jeu accumulateur | Juego acumulador | Conjunto acumulador | 1 |



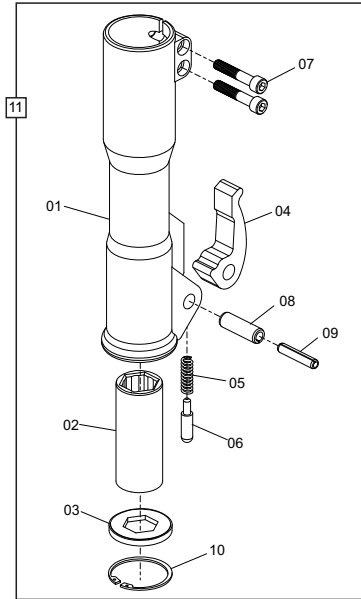
Main Assembly, Ensemble Principal, Conjunto Principal, Conjunto Principal

| | | | | | | | |
|----|-----------|--------------------------|--------------------|-------------------|----------------------|------------------------|---|
| 1 | 971/99046 | Body | Carène | Cuerpo | Corpo | 1 | |
| 2 | 971/01100 | Body | Carène | Cuerpo | Corpo | 1 | |
| 3 | 971/01300 | Cylinder | Vérin | Cilindro | Cilindro | 1 | |
| 4 | 971/99048 | Piston | Piston | Pistón | Pistão | 1 | |
| 5 | 971/99049 | Cover | Capot | Cubierta | Tampa | 1 | |
| 6 | 971/00205 | Diaphragm | Diaphragme | Diafragma | Diafragma | 1 | |
| 7 | 971/00203 | Screw | Vis | Tornillo | Parafuso | 1 | |
| 8 | 971/00612 | Screw | Vis | Tornillo | Parafuso | M10x25 | 2 |
| 9 | 71/004 | Screw | Vis | Tornillo | Parafuso | M10x35 | 4 |
| 10 | 971/00202 | Seal | Joint d'étanchéité | Obturator | Vedante | ø8,7/13x1 | 1 |
| 11 | 971/99050 | Spool | Tiroir | Carrete | Carretel | | 1 |
| 12 | 971/99051 | Socket | Prise | Enchufe | Tomada | | 1 |
| 13 | 971/99052 | Socket | Prise | Enchufe | Tomada | | 1 |
| 14 | 971/99033 | Cap | Capuchon | Casquete | Tampa | M24x1.5 | 1 |
| 15 | 971/99053 | O-Ring | Joint torique | Junta tórica | Anel Vedante | ø24x1.5 | 1 |
| 16 | 971/99054 | O-Ring | Joint torique | Junta tórica | Anel Vedante | ø18x2 | 4 |
| 17 | 971/99055 | O-Ring | Joint torique | Junta tórica | Anel Vedante | ø30x2 | 1 |
| 18 | 971/99056 | O-Ring | Joint torique | Junta tórica | Anel Vedante | ø32x2 | 1 |
| 19 | 971/99057 | O-Ring | Joint torique | Junta tórica | Anel Vedante | ø25.12x1.78 | 1 |
| 20 | 971/99058 | Ring | Bague | Anillo | Anel | | 1 |
| 21 | 971/99059 | Seal | Joint d'étanchéité | Obturator | Vedante | ø32/40x6 | 1 |
| 22 | 971/99060 | Seal | Joint d'étanchéité | Obturator | Vedante | ø32/45x7/10 | 1 |
| 23 | 971/99004 | Seal | Joint d'étanchéité | Obturator | Vedante | ½" BSP | 2 |
| 24 | 971/99039 | Nipple | Téton femelle | Tetón | Bocal | ½ JIC w/o restriction | 1 |
| 24 | 971/99063 | Nipple | Téton femelle | Tetón | Bocal | ½ JIC 3.8mm restrictor | 1 |
| 25 | 971/99039 | Nipple | Téton femelle | Tetón | Bocal | ½ JIC w/o restriction | 1 |
| 26 | 971/99029 | Circlip | Circlip | Resorte circular | Grampo circular | | 2 |
| 27 | 971/99064 | Shim | Cale | Calço | Caço | 8x14x0.5 | 1 |
| 28 | 971/99065 | Spool | Tiroir | Carrete | Carretel | | 1 |
| 29 | 971/99066 | Rod | Tige | Varilla | Bielra | | 1 |
| 30 | 971/99028 | Gland | Pressé-étoupe | Prensaestopas | Bucha | | 1 |
| 31 | 971/99067 | Spring | Ressort | Resorte | Mola | | 1 |
| 32 | 971/00805 | O-Ring | Joint torique | Junta tórica | Anel Vedante | ø8.3x2.4 | 1 |
| 33 | 971/00806 | O-Ring | Joint torique | Junta tórica | Anel Vedante | ø16.3x2.4 | 1 |
| 34 | 971/00803 | Seal | Joint d'étanchéité | Obturator | Vedante | ø8/14x3.5/5 | 1 |
| 35 | 971/00807 | Ring | Bague | Anillo | Anel | | 1 |
| 36 | 971/00808 | Circlip | Circlip | Resorte circular | Grampo circular | | 1 |
| 37 | 971/00301 | Fitting | Fixation | Accesorio | Encaixe | | 6 |
| 38 | 971/99068 | Fitting | Fixation | Accesorio | Encaixe | | 3 |
| 39 | 971/99040 | Cap | Capuchon | Casquete | Tampa | ½" JIC | 2 |
| 40 | 971/99069 | O-Ring | Joint torique | Junta tórica | Anel Vedante | ø6x2 | 1 |
| 41 | 91/0014 | Screw | Vis | Tornillo | Parafuso | M10x70 | 2 |
| 42 | 971/99070 | O-Ring | Joint torique | Junta tórica | Anel Vedante | ø8x2 | 1 |
| 43 | 971/99018 | Washer | Rondelle | Arandela | Anilha | | 4 |
| 44 | 971/99071 | Washer | Rondelle | Arandela | Anilha | | 1 |
| 45 | 971/99072 | Ball Bearing | Roulement à billes | Cojinete de Bolas | Rolamento de Esferas | | 1 |
| 46 | 971/99073 | Seal | Joint d'étanchéité | Obturator | Vedante | ø9/14x1 | 1 |
| 47 | 971/99074 | O-Ring | Joint torique | Junta tórica | Anel Vedante | ø82x1.5 | 1 |
| 48 | 971/99075 | O-Ring | Joint torique | Junta tórica | Anel Vedante | ø16x1.5 | 1 |
| 49 | 971/99022 | O-Ring | Joint torique | Junta tórica | Anel Vedante | ø13x1.5 | 1 |
| 50 | 971/99076 | Washer | Rondelle | Arandela | Anilha | ø32.7/45x2.5 | 1 |
| 51 | 971/99077 | Ring | Bague | Anillo | Anel | | 1 |
| 52 | 971/01400 | Seal Kit | Jeu étanchéité | Juego retenes | Conjunto de Vedante | | 1 |
| 53 | 71/0006 | Screw | Vis | Tornillo | Parafuso | M10x30 | 2 |
| 54 | 91/0014 | Screw | Vis | Tornillo | Parafuso | M10x70 | 2 |
| 55 | 971/99042 | Roll Pin | Goupille fendue | Pivote de rodillo | Pino cilíndrico | ø5x30 | 1 |
| 56 | 971/99044 | Lever | Lever | Palanca | Alavanca | | 1 |
| 57 | 971/99079 | Support | Support | Soporte | Suporte | | 1 |
| 58 | 971/99045 | Roll Pin | Goupille fendue | Pivote de rodillo | Pino cilíndrico | ø8x20 | 1 |
| 59 | 971/10700 | Accumulator Charging Kit | Jeu accumulateur | Juego acumulador | Conjunto acumulador | | 1 |



Hoofdframe, Haupt-Zsb., Hovedenhed, Gruppo Principale

| | | | | | | |
|----|-----------|--------------|------------------|--------------|---------------------------|-----------------------------|
| 1 | 971/99046 | Huis | Gehäuse | Hoveddel | Corpo | 1 |
| 2 | 971/01100 | Huis | Gehäuse | Hoveddel | Corpo | 1 |
| 3 | 971/01200 | Cilinder | Zylinder | Cilinder | Completo | 1 |
| 4 | 971/99047 | Zuiger | Kolben | Zuiger | Stantuffo | 1 |
| 5 | 971/99049 | Deksel | Abdeckung | Kappe | Copertura | 1 |
| 6 | 971/00205 | Diafragma | Membrane | Membran | Diaframma | 1 |
| 7 | 971/00203 | Schroef | Schraube | Skrue | Vite | 1 |
| 8 | 971/00612 | Schroef | Schraube | Skrue | Vite | M10x25 2 |
| 9 | 71/004 | Schroef | Schraube | Skrue | Vite | M10x35 4 |
| 10 | 971/00202 | Afdichting | Dichtung | Tætning | Tenuta | ø8,7/13x1 1 |
| 11 | 971/99050 | Spoel | Steuerschieber | Ventilglider | Rocchetto | 1 |
| 12 | 971/99051 | Mof | Buchsenauführung | Stikdåse | Presa | 1 |
| 13 | 971/99052 | Mof | Buchsenauführung | Stikdåse | Presa | 1 |
| 14 | 971/99033 | Kap | Kappe | Hætte | Cappuccio | M24x1.5 1 |
| 15 | 971/99053 | O-Ring | O-Ring | O-Ring | O-Ring | ø24x1.5 1 |
| 16 | 971/99054 | O-Ring | O-Ring | O-Ring | O-Ring | ø18x2 4 |
| 17 | 971/99055 | O-Ring | O-Ring | O-Ring | O-Ring | ø30x2 1 |
| 18 | 971/99056 | O-Ring | O-Ring | O-Ring | O-Ring | ø32x2 1 |
| 19 | 971/99057 | O-Ring | O-Ring | O-Ring | O-Ring | ø25.12x1.78 1 |
| 20 | 971/99058 | Ring | Ring | Ring | Anello | 1 |
| 21 | 971/99059 | Afdichting | Dichtung | Tætning | Tenuta | ø32/40x6 1 |
| 22 | 971/99060 | Afdichting | Dichtung | Tætning | Tenuta | ø32/45x7/10 1 |
| 23 | 971/99004 | Afdichting | Dichtung | Tætning | Tenuta | 1/2" 2 |
| 24 | 971/99039 | Nippel | Nippel | Nippel | Nipplo | 1/2" JIC w/o restriction 1 |
| 24 | 971/99063 | Nippel | Nippel | Nippel | Nipplo | 1/2" JIC 3.8mm restrictor 1 |
| 25 | 971/99039 | Nippel | Nippel | Nippel | Nipplo | 1/2" JIC w/o restriction 1 |
| 26 | 971/99029 | Borgveer | Spannring | Låserring | Anello elastico | 2 |
| 27 | 971/99064 | Afstandsring | Beilage | Passkive | Spessore | 8x14x0.5 1 |
| 28 | 971/99065 | Spoel | Steuerschieber | Ventilglider | Rocchetto | 1 |
| 29 | 971/99066 | Staafl | Stange | Root | Asta | 1 |
| 30 | 971/99028 | Pakkingbus | Durchführung | Pakdåse | Premistoppa | 1 |
| 31 | 971/99067 | Veer | Feder | Fjeder | Molla | 1 |
| 32 | 971/00805 | O-Ring | O-Ring | O-Ring | O-Ring | ø8.3x2.4 1 |
| 33 | 971/00806 | O-Ring | O-Ring | O-Ring | O-Ring | ø16.3x2.4 1 |
| 34 | 971/00803 | Afdichting | Dichtung | Tætning | Tenuta | ø8/14x3.5/5 1 |
| 35 | 971/00807 | Ring | Ring | Ring | Anello | 1 |
| 36 | 971/00808 | Borgveer | Spannring | Låserring | Anello elastico | 1 |
| 37 | 971/00301 | Fitting | Armatur | Fittings | Accessorio | 6 |
| 38 | 971/99068 | Fitting | Armatur | Fittings | Accessorio | 3 |
| 39 | 971/99040 | Kap | Kappe | Hætte | Cappuccio | 1/2" JIC 2 |
| 40 | 971/99069 | O-Ring | O-Ring | O-Ring | O-Ring | ø6x2 1 |
| 41 | 91/10014 | Schroef | Schraube | Skrue | Vite | M10x70 2 |
| 42 | 971/99070 | O-Ring | O-Ring | O-Ring | O-Ring | ø8x2 1 |
| 43 | 971/99018 | Afdichting | Scheibe | Spændeskive | Rondella | 4 |
| 44 | 971/99071 | Afdichting | Scheibe | Spændeskive | Rondella | 1 |
| 45 | 971/99072 | Kogellager | Kugellager | Kugleleje | Cuscinetto a sfera | 1 |
| 46 | 971/99073 | Afdichting | Dichtung | Tætning | Tenuta | ø9/14x1 1 |
| 47 | 971/99074 | O-Ring | O-Ring | O-Ring | O-Ring | ø82x1.5 1 |
| 48 | 971/99075 | O-Ring | O-Ring | O-Ring | O-Ring | ø16x1.5 1 |
| 49 | 971/99022 | O-Ring | O-Ring | O-Ring | O-Ring | ø13x1.5 1 |
| 50 | 971/99076 | Afdichting | Scheibe | Spændeskive | Rondella | ø32.7/45x2.5 1 |
| 51 | 971/99077 | Ring | Ring | Ring | Anello | 1 |
| 52 | 971/01400 | Afdichtset | Dichtungsatz | Tætningssæt | Kit guarnizioni di tenuta | 1 |
| 53 | 71/10006 | Schroef | Schraube | Skrue | Vite | M10x30 2 |
| 54 | 91/10014 | Schroef | Schraube | Skrue | Vite | M10x70 2 |
| 55 | 971/99042 | Spanstift | Zapfen, zylindr. | Valsetap | Perno cilindrico | ø5x30 1 |
| 56 | 971/99044 | Hendel | Hebel | Arm | Leva | 1 |
| 57 | 971/99079 | Steen | Haltering | Støtte | Supporto | 1 |
| 58 | 971/99045 | Spanstift | Zapfen, zylindr. | Valsetap | Perno cilindrico | ø8x20 1 |
| 59 | 971/10700 | Accumulator | Akkumulatrorsatz | Akkumulator | Kit accumulatore | 1 |



**Nose Assembly, Corps de Marteau Complet,
Montaje Cuerpo Intermedio, Conjunto do Encabadouro**

BHB 19, BHB 23

| | | | | | | | |
|----|-----------|---------------|--------------------------|---------------------------|-------------------------|--------------|---|
| 1 | 971/01502 | Nose Piece | Extrémité | Ojiva | Encabadouro | Hex 25 | 1 |
| 2 | 971/01503 | Bush | Douille | Buje | Bucha | Hex 25 x 108 | 1 |
| 3 | 971/01504 | Bellows | Soufflet | Fuelles | Fole | Hex 25 | 1 |
| 4 | 971/01505 | Latch | Verrou | Cerrojo | Trinco | | 1 |
| 5 | 971/00403 | Spring | Ressort | Resorte | Mola | | 1 |
| 6 | 971/00404 | Pin | Goupille | Pivote | Pino | | 1 |
| 7 | 71/10037 | Screw | Vis | Tornillo | Parafuso | M10 x 55 | 2 |
| 8 | 971/00406 | Roll Pin | Goupille fendue | Pivote de rodillo | Pino cilindrico | Ø16x50 | 1 |
| 9 | 971/00407 | Roll Pin | Goupille fendue | Pivote de rodillo | Pino cilindrico | Ø10x50 | 1 |
| 10 | 971/99027 | Ring | Bague | Anillo | Anel | Ø64x2 | 1 |
| 11 | 971/01500 | Nose Assembly | Corps de Marteau Complet | Montaje Cuerpo Intermedio | Conjunto do Encabadouro | Hex 25 x 108 | 1 |

BHB 25X, BHB 25, BHB 27

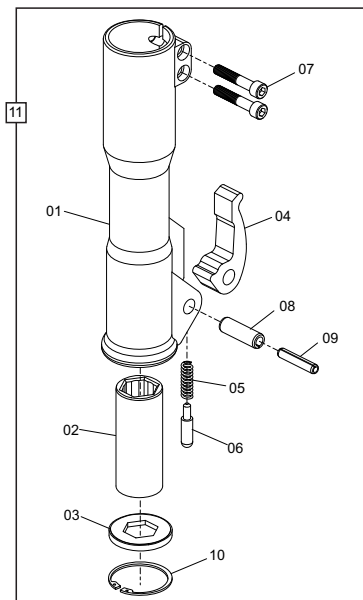
| | | | | | | | |
|----|-----------|---------------|--------------------------|---------------------------|-------------------------|--------------|---|
| 1 | 971/01601 | Nose Piece | Extrémité | Ojiva | Encabadouro | Hex 28/32 | 1 |
| 2 | 971/01602 | Bush | Douille | Buje | Bucha | Hex 32 x 160 | 1 |
| 3 | 971/01603 | Bellows | Soufflet | Fuelles | Fole | Hex 32 | 1 |
| 4 | 971/01505 | Latch | Verrou | Cerrojo | Trinco | | 1 |
| 5 | 971/00403 | Spring | Ressort | Resorte | Mola | | 1 |
| 6 | 971/00404 | Pin | Goupille | Pivote | Pino | | 1 |
| 7 | 71/10037 | Screw | Vis | Tornillo | Parafuso | M10 x 55 | 2 |
| 8 | 971/00406 | Roll Pin | Goupille fendue | Pivote de rodillo | Pino cilindrico | Ø16x50 | 1 |
| 9 | 971/00407 | Roll Pin | Goupille fendue | Pivote de rodillo | Pino cilindrico | Ø10x50 | 1 |
| 10 | 971/01606 | Ring | Bague | Anillo | Anel | Ø64x2 | 1 |
| 11 | 971/01600 | Nose Assembly | Corps de Marteau Complet | Montaje Cuerpo Intermedio | Conjunto do Encabadouro | Hex 32 x 160 | 1 |

BHB 19 USA, BHB 30 USA

| | | | | | | | |
|----|-----------|---------------|--------------------------|---------------------------|-------------------------|--------------|---|
| 1 | 971/01601 | Nose Piece | Extrémité | Ojiva | Encabadouro | | 1 |
| 2 | 971/01702 | Bush | Douille | Buje | Bucha | | 1 |
| 3 | 971/01603 | Bellows | Soufflet | Fuelles | Fole | | 1 |
| 4 | 971/01505 | Latch | Verrou | Cerrojo | Trinco | | 1 |
| 5 | 971/00403 | Spring | Ressort | Resorte | Mola | | 1 |
| 6 | 971/00404 | Pin | Goupille | Pivote | Pino | | 1 |
| 7 | 71/10037 | Screw | Vis | Tornillo | Parafuso | | 2 |
| 8 | 971/00406 | Roll Pin | Goupille fendue | Pivote de rodillo | Pino cilindrico | Ø16x50 | 1 |
| 9 | 971/00407 | Roll Pin | Goupille fendue | Pivote de rodillo | Pino cilindrico | Ø10x50 | 1 |
| 10 | 971/01606 | Ring | Bague | Anillo | Anel | Ø64x2 | 1 |
| 11 | 971/01700 | Nose Assembly | Corps de Marteau Complet | Montaje Cuerpo Intermedio | Conjunto do Encabadouro | Hex 32 x 152 | 1 |

BHB 23 UC

| | | | | | | | |
|----|-----------|---------------|--------------------------|---------------------------|-------------------------|--------------|---|
| 1 | 971/01601 | Nose Piece | Extrémité | Ojiva | Encabadouro | | 1 |
| 2 | 971/10900 | Nose Assembly | Corps de Marteau Complet | Montaje Cuerpo Intermedio | Conjunto do Encabadouro | | 1 |
| 3 | 971/01603 | Bellows | Soufflet | Fuelles | Fole | | 1 |
| 4 | 971/01505 | Latch | Verrou | Cerrojo | Trinco | | 1 |
| 5 | 971/00403 | Spring | Ressort | Resorte | Mola | | 1 |
| 6 | 971/00404 | Pin | Goupille | Pivote | Pino | | 1 |
| 7 | 71/10037 | Screw | Vis | Tornillo | Parafuso | | 2 |
| 8 | 971/00406 | Roll Pin | Goupille fendue | Pivote de rodillo | Pino cilindrico | Ø16x50 | 1 |
| 9 | 971/00407 | Roll Pin | Goupille fendue | Pivote de rodillo | Pino cilindrico | Ø10x50 | 1 |
| 10 | 971/01606 | Ring | Bague | Anillo | Anel | Ø64x2 | 1 |
| 11 | 971/10900 | Nose Assembly | Corps de Marteau Complet | Montaje Cuerpo Intermedio | Conjunto do Encabadouro | Hex 28 x 160 | 1 |



**Neusstuk Bouwdeel, Nase kpl.,
Hammer Hoved Komplet, Assemblaggio Naso**

BHB 19, BHB 23

| | | | | | | | |
|----|-----------|-------------------|------------------|----------------------|---------------------------|--------------|---|
| 1 | 971/01502 | Neusstuk | Frontverkleiding | Mejselholder | Estremità | Hex 25 | 1 |
| 2 | 971/01503 | Bus | Buchse | Bøsning | Boccola | Hex 25 x 108 | 1 |
| 3 | 971/01504 | Balg | Balgen | Blæsebalg | Soffietti | Hex 25 | 1 |
| 4 | 971/01505 | Grendel | Riegel | Grendel | Dispositivo di bloccaggio | | 1 |
| 5 | 971/00403 | Veer | Feder | Fjeder | Molla | | 1 |
| 6 | 971/00404 | Pen | Zapfen | Stift | Perno | | 1 |
| 7 | 71/10037 | Schroef | Schraube | Skru | Vite | M10 x 55 | 2 |
| 8 | 971/00406 | Spanstift | Zapfen, zylindr. | Valsetap | Perno cilindrico | ø16x50 | 1 |
| 9 | 971/00407 | Spanstift | Zapfen, zylindr. | Valsetap | Perno cilindrico | ø10x50 | 1 |
| 10 | 971/99027 | Ring | Ring | Ring | Anello | ø64x2 | 1 |
| 11 | 971/01500 | Neusstuk Bouwdeel | Nase kpl. | Hammer hoved komplet | Assemblaggio Naso | Hex 25 x 108 | 1 |

BHB 25X, BHB 25, BHB 27

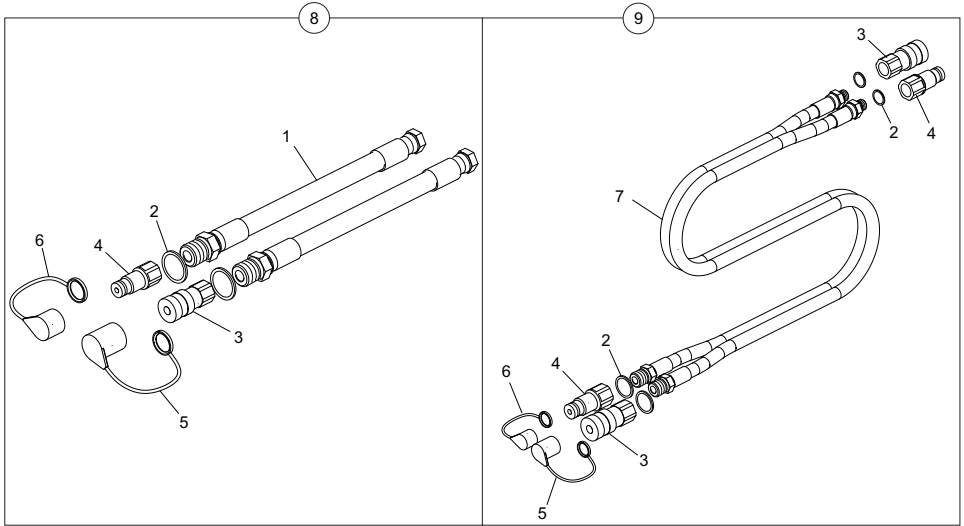
| | | | | | | | |
|----|-----------|-------------------|------------------|----------------------|---------------------------|--------------|---|
| 1 | 971/01601 | Neusstuk | Frontverkleiding | Mejselholder | Estremità | Hex 28/32 | 1 |
| 2 | 971/01602 | Bus | Buchse | Bøsning | Boccola | Hex 32 x 160 | 1 |
| 3 | 971/01603 | Balg | Balgen | Blæsebalg | Soffietti | Hex 32 | 1 |
| 4 | 971/01505 | Grendel | Riegel | Grendel | Dispositivo di bloccaggio | | 1 |
| 5 | 971/00403 | Veer | Feder | Fjeder | Molla | | 1 |
| 6 | 971/00404 | Pen | Zapfen | Stift | Perno | | 1 |
| 7 | 71/10037 | Schroef | Schraube | Skru | Vite | M10 x 55 | 2 |
| 8 | 971/00406 | Spanstift | Zapfen, zylindr. | Valsetap | Perno cilindrico | ø16x50 | 1 |
| 9 | 971/00407 | Spanstift | Zapfen, zylindr. | Valsetap | Perno cilindrico | ø10x50 | 1 |
| 10 | 971/01606 | Ring | Ring | Ring | Anello | ø64x2 | 1 |
| 11 | 971/01600 | Neusstuk Bouwdeel | Nase kpl. | Hammer hoved komplet | Assemblaggio Naso | Hex 32 x 160 | 1 |

BHB 19 USA, BHB 30 USA

| | | | | | | | |
|----|-----------|-------------------|------------------|----------------------|---------------------------|--------------|---|
| 1 | 971/01601 | Neusstuk | Frontverkleiding | Mejselholder | Estremità | | 1 |
| 2 | 971/01702 | Bus | Buchse | Bøsning | Boccola | | 1 |
| 3 | 971/01603 | Balg | Balgen | Blæsebalg | Soffietti | | 1 |
| 4 | 971/01505 | Grendel | Riegel | Grendel | Dispositivo di bloccaggio | | 1 |
| 5 | 971/00403 | Veer | Feder | Fjeder | Molla | | 1 |
| 6 | 971/00404 | Pen | Zapfen | Stift | Perno | | 1 |
| 7 | 71/10037 | Schroef | Schraube | Skru | Vite | | 2 |
| 8 | 971/00406 | Spanstift | Zapfen, zylindr. | Valsetap | Perno cilindrico | ø16x50 | 1 |
| 9 | 971/00407 | Spanstift | Zapfen, zylindr. | Valsetap | Perno cilindrico | ø10x50 | 1 |
| 10 | 971/01606 | Ring | Ring | Ring | Anello | ø64x2 | 1 |
| 11 | 971/01700 | Neusstuk Bouwdeel | Nase kpl. | Hammer hoved komplet | Assemblaggio Naso | Hex 32 x 152 | 1 |

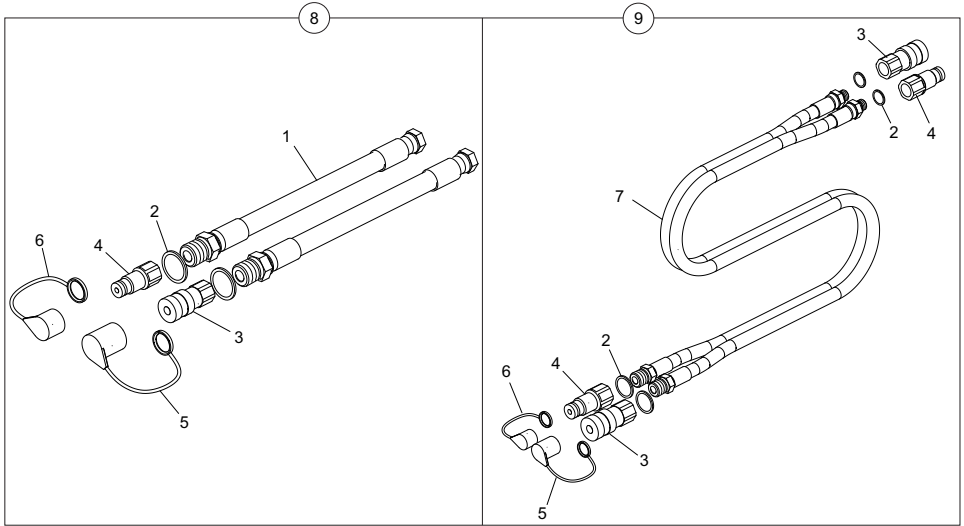
BHB 23 UC

| | | | | | | | |
|----|-----------|-------------------|------------------|----------------------|---------------------------|--------------|---|
| 1 | 971/01601 | Neusstuk | Frontverkleiding | Mejselholder | Estremità | | 1 |
| 2 | 971/10900 | Bus | Buchse | Bøsning | Boccola | | 1 |
| 3 | 971/01603 | Balg | Balgen | Blæsebalg | Soffietti | | 1 |
| 4 | 971/01505 | Grendel | Riegel | Grendel | Dispositivo di bloccaggio | | 1 |
| 5 | 971/00403 | Veer | Feder | Fjeder | Molla | | 1 |
| 6 | 971/00404 | Pen | Zapfen | Stift | Perno | | 1 |
| 7 | 71/10037 | Schroef | Schraube | Skru | Vite | | 2 |
| 8 | 971/00406 | Spanstift | Zapfen, zylindr. | Valsetap | Perno cilindrico | ø16x50 | 1 |
| 9 | 971/00407 | Spanstift | Zapfen, zylindr. | Valsetap | Perno cilindrico | ø10x50 | 1 |
| 10 | 971/01606 | Ring | Ring | Ring | Anello | ø64x2 | 1 |
| 11 | 971/10900 | Neusstuk Bouwdeel | Nase kpl. | Hammer hoved komplet | Assemblaggio Naso | Hex 28 x 160 | 1 |



**Hose Assembly, Assemblage da la Durite,
Con. de Manguera, Montagem de Mangueira**

| | | | | | | 0.4m | 7.0m |
|---|-----------|----------|--------------------|----------------------|------------------------|-----------------|------|
| 1 | 971/01801 | Hose | Durit | Flexible | Mangueira | 1/2" BSP | 2 |
| 1 | 971/01901 | Hose | Durit | Flexible | Mangueira | 1/2" JIC | 2 |
| 2 | 971/99004 | Seal | Joint d'étanchéité | Obturador | Vedante | 1/2" BSP | 4 |
| 3 | 971/01802 | Coupling | Accouplement | Acoplamiento | Acoplamento | Female 1/2" BSP | 1 |
| 3 | 971/01902 | Coupling | Accouplement | Acoplamiento | Acoplamento | Female 3/4 UNF | 1 |
| 4 | 971/01803 | Coupling | Accouplement | Acoplamiento | Acoplamento | Male 1/2" BSP | 1 |
| 4 | 971/01903 | Coupling | Accouplement | Acoplamiento | Acoplamento | Male 3/4 UNF | 1 |
| 5 | 971/01804 | Cap | Capuchon | Casquete | Tampa | Female | 1 |
| 6 | 971/01805 | Cap | Capuchon | Casquete | Tampa | Male | 1 |
| 7 | 971/99081 | Hose | Durit | Flexible | Mangueira | 1/2" | 1 |
| 8 | 971/01800 | Hose Kit | Ensemble Durit | Conjunto de Flexible | Conjunto de Mangueiras | 0.4m BSP | 1 |
| 8 | 971/01900 | Hose Kit | Ensemble Durit | Conjunto de Flexible | Conjunto de Mangueiras | 0.4m JIC | 1 |
| 9 | 971/02000 | Hose Kit | Ensemble Durit | Conjunto de Flexible | Conjunto de Mangueiras | 7.0m | 1 |



**Slang Bouwdeel, Schlauch Bauteil,
Slang Komplet, Assemblaggio Tubi**

| | | | | 0.4m 7.0m | | | | |
|---|-----------|----------------|-------------------|----------------------|------------------------|-----------------|---|---|
| 1 | 971/01801 | Slang | Schlauchstück | Slange | Candela 1/2" BSP | 2 | - | |
| 1 | 971/01901 | Slang | Schlauchstück | Slange | Candela 1/2" JIC | 2 | - | |
| 2 | 971/99004 | Afdichting | Dichtung | Tætning | Tenuta 1/2" BSP | 2 | 4 | |
| 3 | 971/01802 | Koppeling | Verschraubung | Muffe | Manicotto di giunzione | Female 1/2" BSP | 1 | 2 |
| 3 | 971/01902 | Koppeling | Verschraubung | Muffe | Manicotto di giunzione | Female 3/4 UNF | 1 | 2 |
| 4 | 971/01803 | Koppeling | Verschraubung | Muffe | Manicotto di giunzione | Male 1/2" BSP | 1 | 2 |
| 4 | 971/01903 | Koppeling | Verschraubung | Muffe | Manicotto di giunzione | Male 3/4 UNF | 1 | 2 |
| 5 | 971/01804 | Kap | Kappe | Hætte | Cappuccio | Female | 1 | 2 |
| 6 | 971/01805 | Kap | Kappe | Hætte | Cappuccio | Male | 1 | 2 |
| 7 | 971/99081 | Slang | Schlauchstück | Slange | Candela 1/2" | | 1 | - |
| 8 | 971/01800 | Slang Bouwdeel | Schlauchstück zsb | Slange Komplet | Gruppi Tubi | 0.4m BSP | 1 | - |
| 8 | 971/01900 | Hose Kit | Ensemble Durit | Conjunto de Flexible | Conjunto de Mangueira | 0.4m JIC | 1 | - |
| 9 | 971/02000 | Hose Kit | Ensemble Durit | Conjunto de Flexible | Conjunto de Mangueira | 7.0m | 1 | - |



BELLE
LIGHT
CONSTRUCTION
EQUIPMENT

ALTRAD BELLE
Sheen, Nr. Buxton, Derbyshire, SK17 0EU, GB
Tel. +44 (0)1298 84606 - Fax +44 (0)1298 84722 - Email: sales@altrad-belle.com
www.Altrad-Belle.com