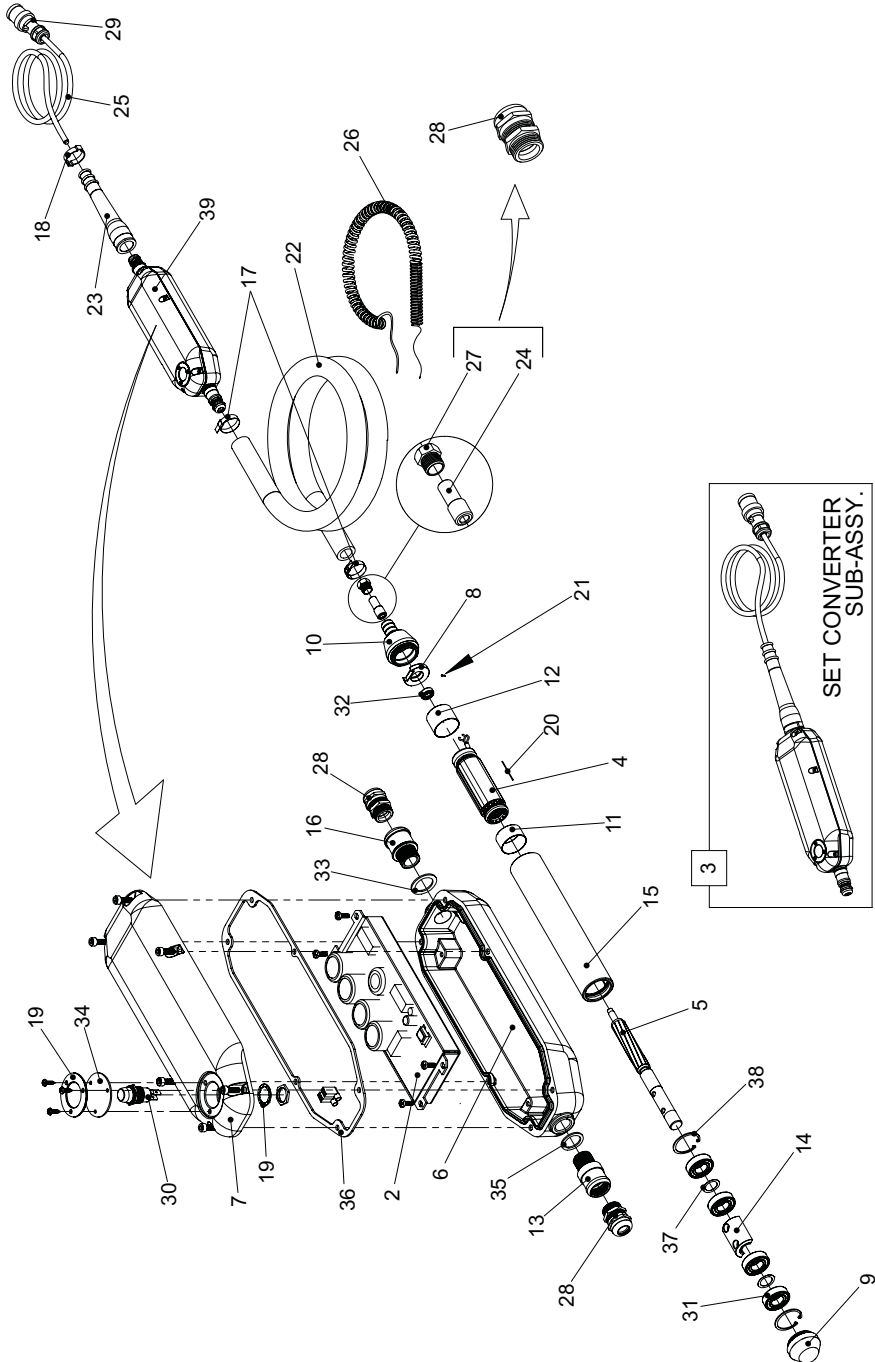


Vibratech High Frequency Converter



Vibratech High Frequency Converter

Item	38	52	58	Description	Qty
1	972/99827	972/99828	972/99828	Poker Head Complete	1
2	972/99830	972/99830	972/99830	Electronic Plate With Aluminium Bracket - 230V	1
2	972/99831	972/99831	972/99831	Electronic Plate With Aluminium Bracket - 115V	1
3	972/99832	972/99834	972/99834	Converter Set - 230V	1
3	972/99833	972/99835	972/99835	Converter Set - 115V	1
4	972/99836	972/99837	972/99837	Stator Assy	1
5	972/99839	245/99611	245/99611	Rotor Assy	1
6	972/99840	972/99840	972/99840	Switch Housing	1
7	972/99841	972/99841	972/99841	Switch Housing Cover	1
8	245/99518	245/99519	245/99519	Bearing Support	1
9	245/99537	245/99583	245/99583	Cylinder Tap Nut	1
10	245/99536	245/99531	245/99531	Link Hose Nut	1
11	245/99539	245/99533	245/99533	Distance Collar	1
12	245/99584	245/99534	245/99534	Distance Collar	1
13	972/99842	972/99843	972/99843	Packing Poker Head - Converter Housing 1"	1
14	972/99844	972/99845	972/99845	Eccentric	1
15	972/99846	245/99612	245/99612	Cylinder Motor Housing	1
16	972/99847	972/99847	972/99847	Packing Rubber Sleeve - Converter Housing	1
17	245/99544	245/99545	245/99545	Hose Clamp J - 245	1
18	972/99848	972/99848	972/99848	Rubber Sleeve Clamp Sapa 37 - 40	1
19	972/99849	972/99849	972/99849	Seal Flat Washer Push Button On - Off	1
20	245/99546	245/99546	245/99546	Stator Cylinder Pin 1.5X28	1
21	245/99547	245/99549	245/99549	Bearing Support Pin 3X7,8	1
22	972/99850	972/99851	972/99851	Rubber Hose - 7M	1
22a	972/99873	972/99874	972/99874	Rubber Hose - 10M	1
23	972/99852	972/99852	972/99852	Rubber Sleeve	1
24	N/A	972/99853	972/99853	Rubber Seal Packing - Link Hose Nut	1
25	972/99854	972/99854	972/99854	Connection Cable - 230V	1
25	972/99855	972/99855	972/99855	Connection Cable - 115V	1
26	972/99856	972/99856	972/99856	Interior Connection Wire - 7M	1
26	972/99875	972/99875	972/99875	Interior Connection Wire - 10M	1
27	N/A	972/99857	972/99857	Nut Seal Packing - Poker Head	1
28	245/99559	N/A	N/A	Packing Converter Housing - Poker Head	1
29	972/99858	972/99858	972/99858	Schuko Plug Single Phase 10A - 230V	1
29	972/99859	972/99859	972/99859	Schuko Plug Single Phase 10A - 115V	1
30	972/99860	972/99860	972/99860	Push Button On - Off	1
31	972/99861	972/99862	972/99863	Bearings 6204-J2ze C3 P6 M1 lv 20X47x14	4
32	245/99563	972/99864	972/99864	Bearings 6000-Jze C3 P6 M1 lv 10X26x8	1
33	972/99865	972/99865	972/99865	Polyethylene Washer 20X28x1,5	1
34	972/99866	972/99866	972/99866	Push Button On - Off Seal (45 x 1,5)	1
35	972/99867	972/99867	972/99867	Polyethylene Washer 18X24x1,5	1
36	972/99868	972/99868	972/99868	Converter Housing Seal	1
37	N/A	245/99570	245/99570	Friction Washer 20X28x0,1	1
38	245/99574	245/99573	245/99575	Seeger Ring I 47 Din 472	1
39	972/99869	972/99871	972/99871	Converter - 230V	1
39	972/99870	972/99872	972/99872	Converter - 115V	1
-	244/99578	244/99578	244/99578	Varistor Ø5 300v (For use on 230v models)	1
-	244/99579	244/99579	244/99579	Varistor Ø5 175v (For use on 110v models)	1

ALTRAD Belle reserves the right to alter details and specification without notice



ALTRAD Belle Head Office
Sheen, Nr. Buxton
Derbyshire.
SK17 OEU
England

Tel: +44 (0)1298 84606
Fax: +44 (0)1298 84722
email: sales@belle-group.co.uk

www.ALTRAD-Belle.com
www.Belle247.com

No.1 for Light Construction Equipment

www.ALTRAD-Belle.com

