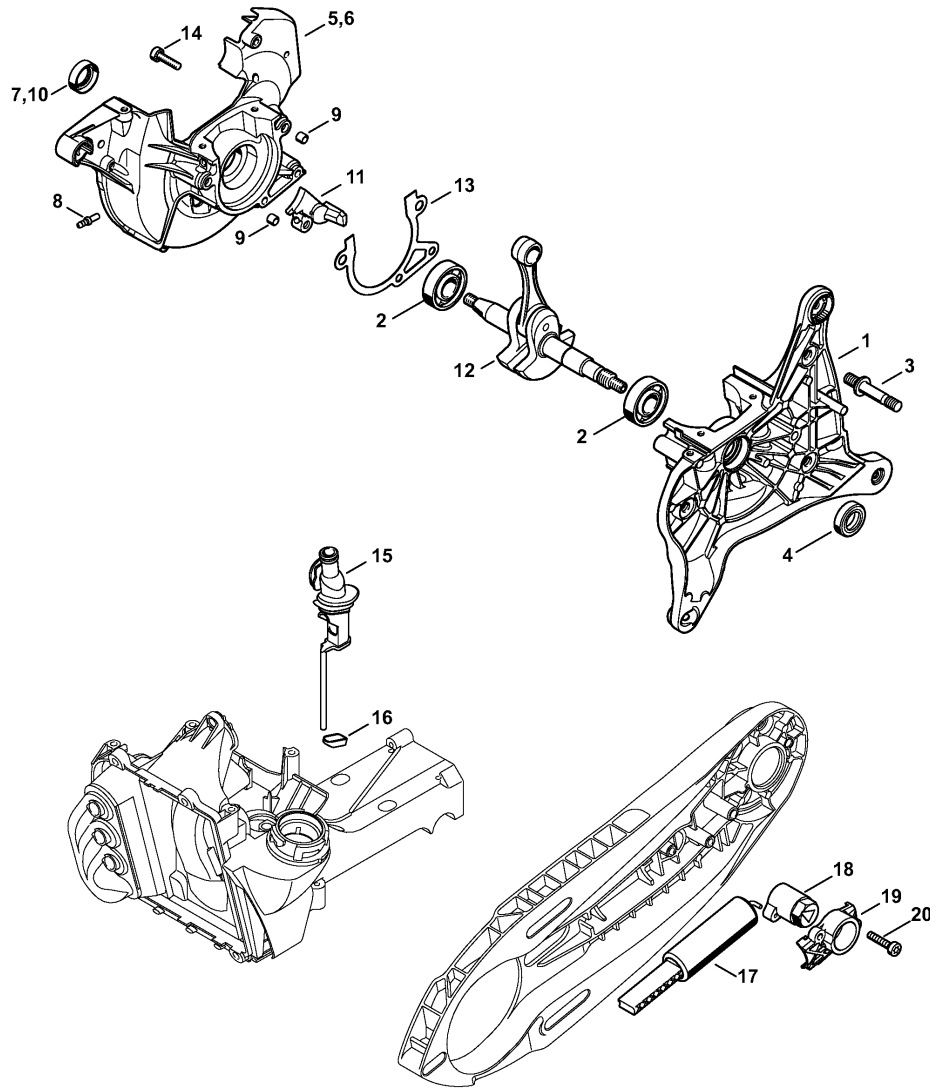


Drawing A Crankcase



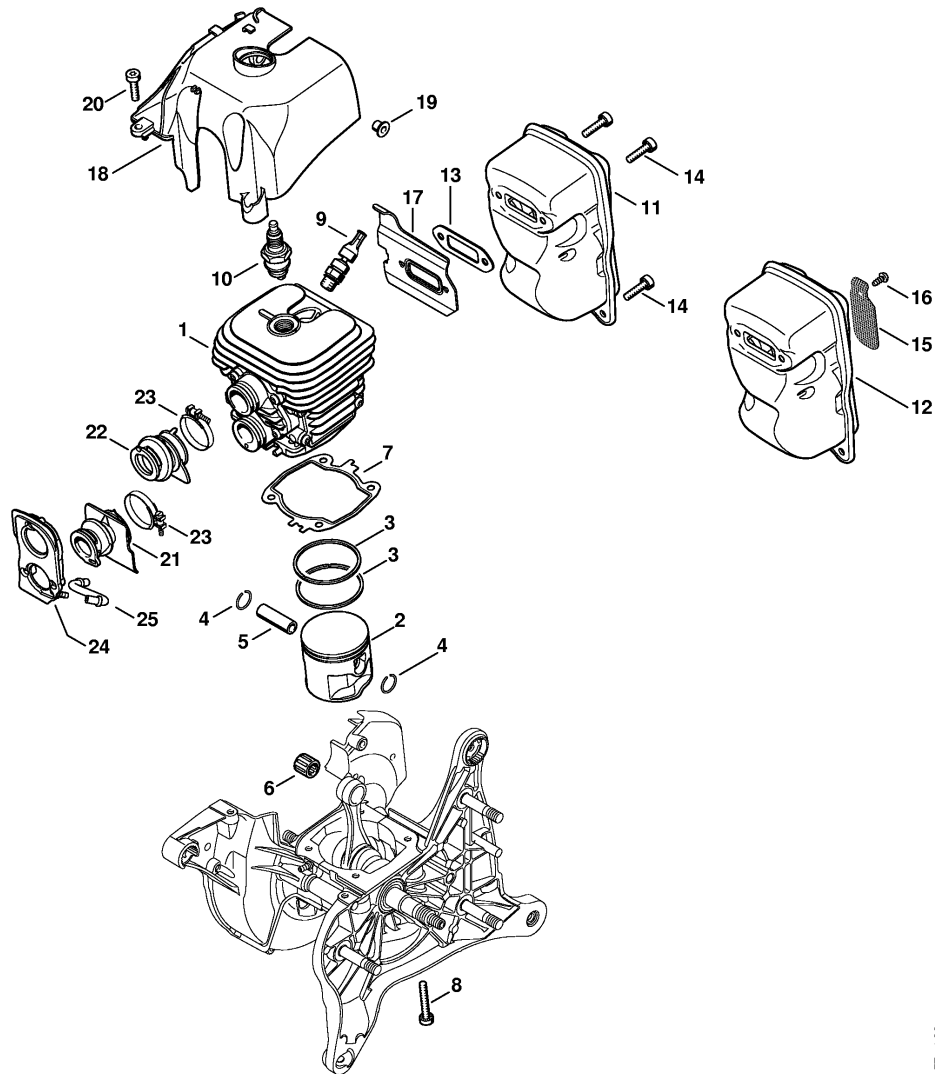
370E121 SC

Drawing A Crankcase

Reference	Item number	Qty	Description
1	4238 020 2901	1	Crankcase □ 2 - 4
2	9503 003 0351	2	Grooved ball bearing 15x36.3x11
3	0000 953 6606	3	Stud
4	9630 951 1696	1	Oil seal 15x26x7
5	4238 020 2605	1	Crankcase, fan side (5-8) □ 2, 8 - 10
6	4238 020 2601	1	Crankcase, fan side (1-4) □ 2, 7 - 9
7	9640 003 1570	1	Oil seal 15x24x7 (1-4)
8	0000 988 5211	1	Connector
9	0000 988 8600	2	Sleeve
10	9640 003 1560	1	Oil seal 15x22x4 (5-8)
11	4238 448 1200	1	Lead retainer (5-8)
12	4238 030 0400	1	Crankshaft (25.2005)
13	4238 029 0500	1	Gasket
14	9022 371 1020	4	Spline screw IS-M5x20
15	4238 141 5400	1	Hose
16	4238 141 1800	1	Sleeve
17	4238 660 0400	1	Belt tensioner
18	4224 664 2100	1	Clamping lever
19	4224 664 4200	1	Cover
20	9075 478 4159	2	Pan head self-tapping screw IS-D5x24
	4238 007 1003	1	Set of gaskets (B) (1-4) □ 4, 7, 13
	4238 007 1600	1	Set of gaskets (B) (5-8) □ 4, 10, 13

(1) TS 410, (2) TS 410-Z, (3) TS 420, (4) TS 420-Z, (5) TS 410-A, (6) TS 410-AZ, (7) TS 420-A, (8) TS 420-AZ

Drawing B Cylinder, Muffler

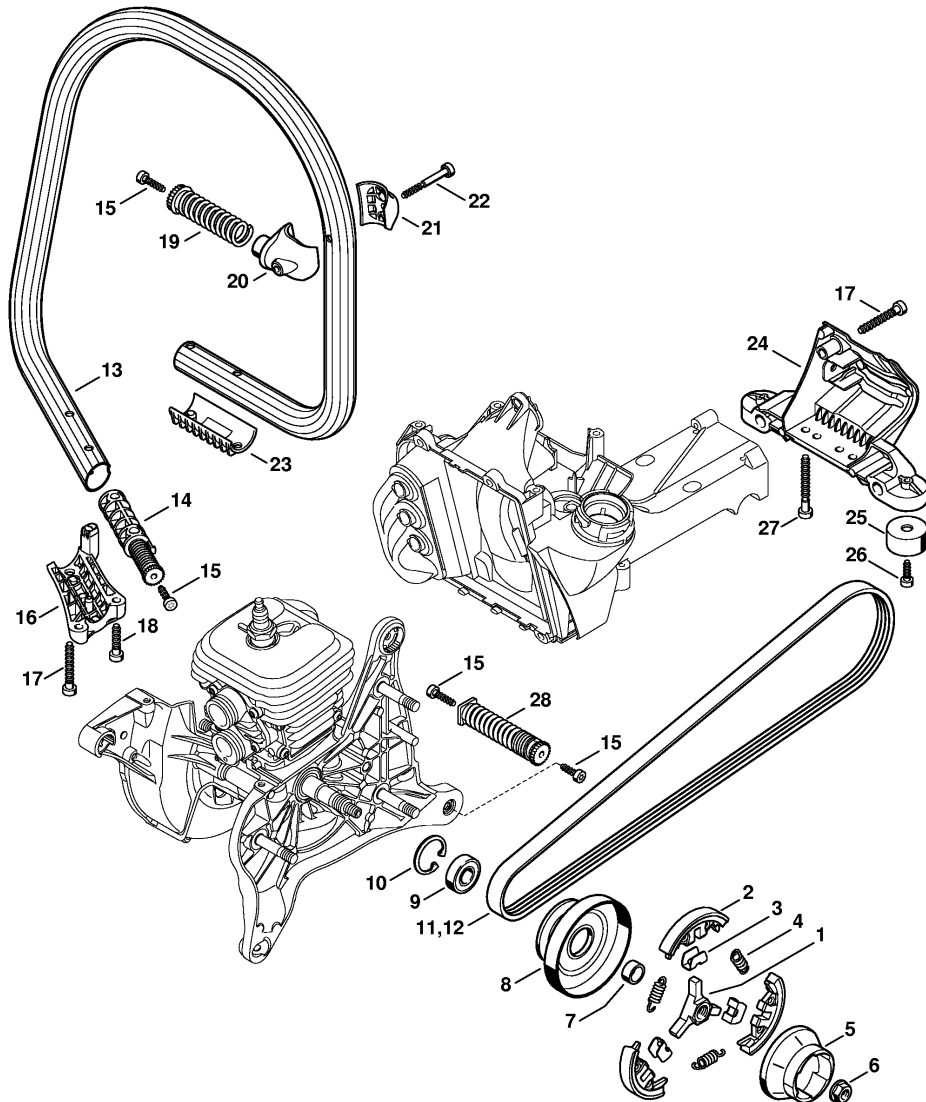


370E17001 SC

Drawing B Cylinder, Muffler

Reference	Item number	Qty	Description
1	4238 020 1202	1	Cylinder with piston Ø 50 mm □ 2 - 5
2	4238 030 2003	1	Piston Ø 50 mm □ 3 - 5
3	1128 034 3000	2	Piston ring Ø 50x1.2 mm
4	9463 650 1000	2	Snap ring 10
5	4238 034 1500	1	Piston pin 10x6x32
6	9512 003 2344	1	Needle cage 10x14x13
7	4238 029 2300	1	Cylinder gasket
8	9022 371 1073	4	Spline screw IS-M5x32
9	4238 020 9400	1	Decompression valve
10	1110 400 7005	1	Spark plug Bosch WSR 6 F
10	0000 400 7000	1	Spark plug NGK BPMR7A
11	4238 140 0610	1	Muffler (1,3,5,7) □ 13, 14, 17
12	4238 140 0611	1	Muffler (2,4,6,8) USDA Cert. I.D. 4238/01 USA, CDN, AUS, NZ □ 13 - 17
13	4238 149 0600	1	Muffler gasket
14	9022 371 1020	3	Spline screw IS-M5x20
15	4238 141 9000	1	Screen (2,4,6,8) USA, CDN, AUS, NZ
16	9039 448 0656	1	Self-tapping screw M4x9.6 (2,4,6,8) USA, CDN, AUS, NZ
17	4238 141 3200	1	Cooling plate
18	4238 080 0900	1	Air guide shroud □ 19
19	9991 003 5087	1	Sleeve 7.5x6.8
20	9022 371 1020	2	Spline screw IS-M5x20
21	4238 141 2203	1	Manifold
22	4238 141 2202	1	Manifold
23	9771 021 2536	2	Hose clamp 30x5
24	4238 140 2200	1	Flange
25	0000 141 8600	1	Impulse hose
	4238 007 1003	1	Set of gaskets (B) (1-4) □ 7, 13
	4238 007 1600	1	Set of gaskets (B) (5-8) □ 7, 13

(1) TS 410, (2) TS 410-Z, (3) TS 420, (4) TS 420-Z, (5) TS 410-A, (6) TS 410-AZ, (7) TS 420-A, (8) TS 420-AZ

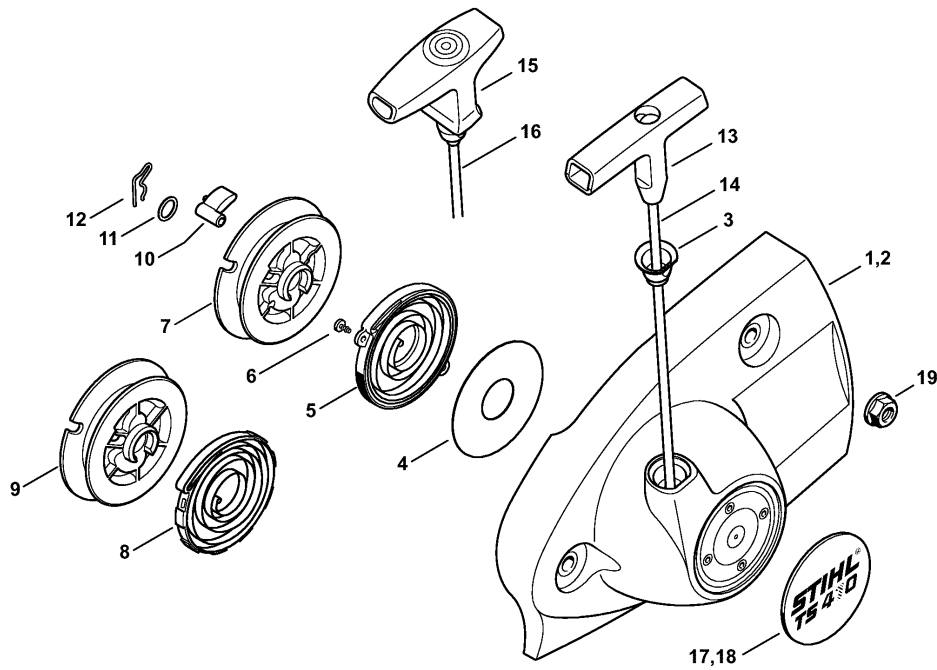


3170ETW02 SC

Reference	Item number	Qty	Description
	4238 160 2002	1	Clutch □ 1 - 4
1	1125 162 3202	1	Carrier
2	1128 162 0806	3	Clutch shoe
3	1128 162 3000	3	Retainer
4	0000 997 5510	3	Tension spring
5	4238 195 0600	1	Starter cup
6	0000 955 0802	1	Collar nut M8x1
7	0000 036 0200	1	Ring
8	4238 760 8500	1	Poly V-belt pulley □ 9, 10
9	9503 003 5136	1	Grooved ball bearing 6001-2RS
10	9456 621 3100	1	Circlip 28x1.2
11	9490 000 7901	1	Poly V-belt, ribbed 5PJ746LB (1,2,5,6)
12	9490 000 7900	1	Poly V-belt, ribbed 5PJ801LB (3,4,7,8)
13	4238 791 1700	1	Handlebar
14	4238 790 8301	1	AV-Spring
15	9074 478 4425	4	Pan head self-tapping screw IS-P6x19
16	4238 791 0910	1	Clamp
17	9074 478 4705	2	Pan head self-tapping screw IS-P6x40
18	9074 478 4545	2	Pan head self-tapping screw IS-P6x26.5
19	4238 790 8302	1	AV-Spring
20	4238 791 1900	1	Handlebar support
21	4238 791 0900	1	Clamp
22	9075 478 4190	1	Pan head self-tapping screw IS-D5x45
23	4238 791 0905	1	Clamp
	4238 790 7600	1	Support □ 24 - 26
24	4238 791 7601	1	Support
25	4205 790 9300	2	Rubber buffer
26	0000 951 1100	2	Screw IS-D5x20
27	9074 478 4706	2	Pan head self-tapping screw IS-P6x50
28	4238 790 8304	1	AV-Spring

(1) TS 410, (2) TS 410-Z, (3) TS 420, (4) TS 420-Z, (5) TS 410-A, (6) TS 410-AZ, (7) TS 420-A, (8) TS 420-AZ

Drawing D Rewind starter



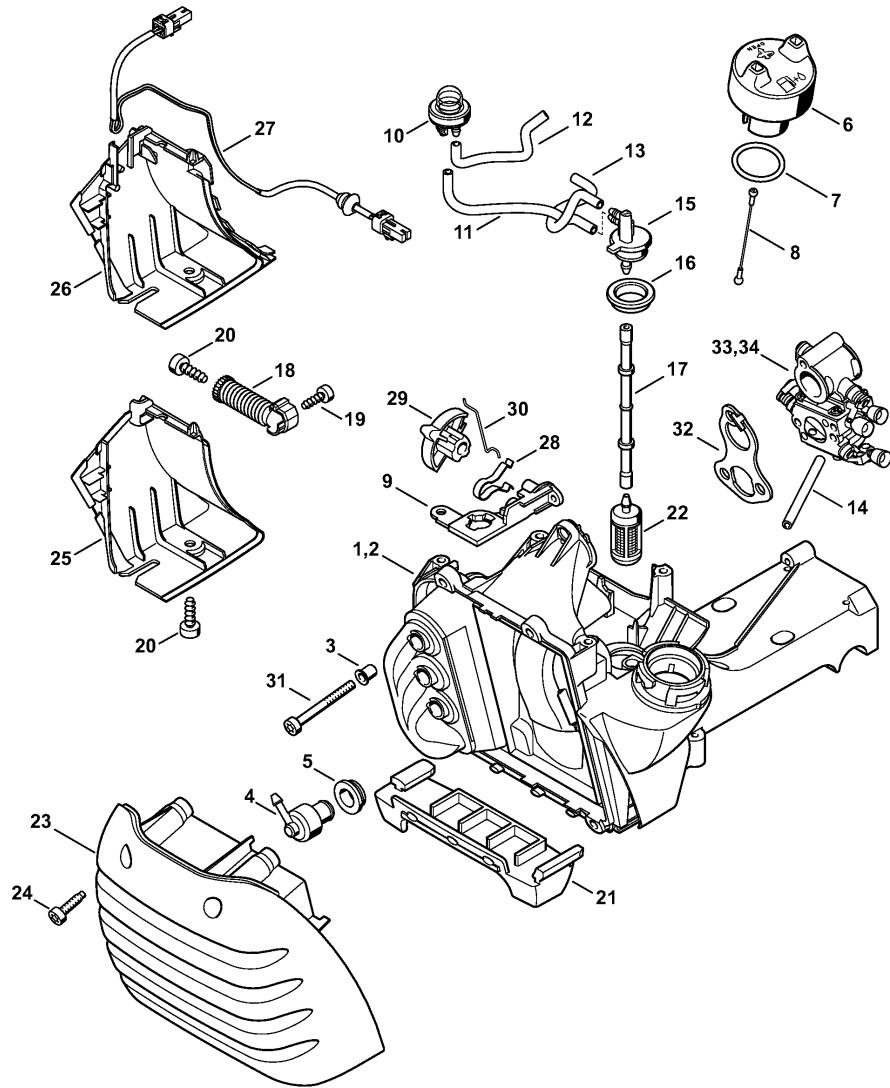
3706T018 SC

Drawing D Rewind starter

Reference	Item number	Qty	Description
	4238 190 0302	1	Starter cover with rewind starter □ 1, 3 - 7, 10 - 14, 17, 18
1	4238 190 0404	1	Starter cover □ 3
2	* 4238 190 0401	1	Starter cover (1-4) (21.2009) □ 3
3	1110 084 9102	1	Bushing
4	4238 195 9000	1	Washer
5	4224 190 0600	1	Rewind spring
6	9104 003 0410	2	Self-tapping screw P3x6
7	4238 190 1001	1	Rope rotor
8	* 4238 190 0601	1	Rewind spring (1-4) (21.2009)
9	* 4223 190 1001	1	Rope rotor (1-4) (21.2009)
10	0000 195 7200	1	Pawl
11	0000 958 0923	1	Washer
12	1118 195 3500	1	Spring
	0000 190 3500	1	Grip with starter rope □ 13, 14
13	1121 195 3400	1	Starter grip
14		1	Starter rope Ø 4x995 mm (D)
	0000 930 2297	1	Starter rope Ø 4 mm x 30 m (B)
15	* 0000 190 3414	1	Starter grip ElastoStart Ø 4.5 mm (1-4) (21.2009) □ 16
16	* 0000 190 2901	1	Starter rope Ø 4.5 mm (1-4) (21.2009)
	* 0000 930 2295	1	Starter rope Ø 4.5mm / 28 pieces (B) (1-4) (21.2009)
17	4238 967 1500	1	Model plate TS 410 (1,2,5,6)
18	4238 967 1501	1	Model plate TS 420 (3,4,7,8)
19	9220 260 1100	3	Hexagon nut M8

(1) TS 410, (2) TS 410-Z, (3) TS 420, (4) TS 420-Z, (5) TS 410-A, (6) TS 410-AZ, (7) TS 420-A, (8) TS 420-AZ

Drawing E Tank housing

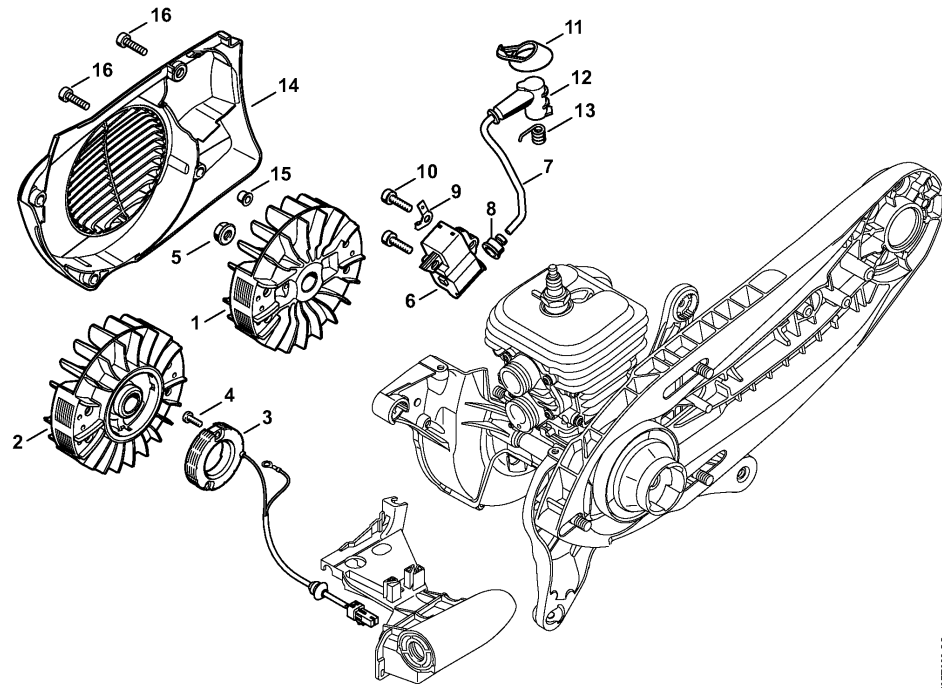


370ET022 SC

Drawing E Tank housing

Reference	Item number	Qty	Description
28	4238 121 2400	1	Flat spring
29	4238 121 6100	1	Choke lever
30	4238 185 1500	1	Choke rod
31	9022 341 1220	3	Spline screw IS-M5x48
32	4238 129 0900	1	Gasket
33	4238 120 0600	1	Carburetor C1Q-S118D
34	4238 120 0601	1	Carburetor C1Q-S167A (3) BR
	4238 007 1003	1	Set of gaskets (B) (1-4) □ 32
	4238 007 1600	1	Set of gaskets (B) (5-8) □ 32

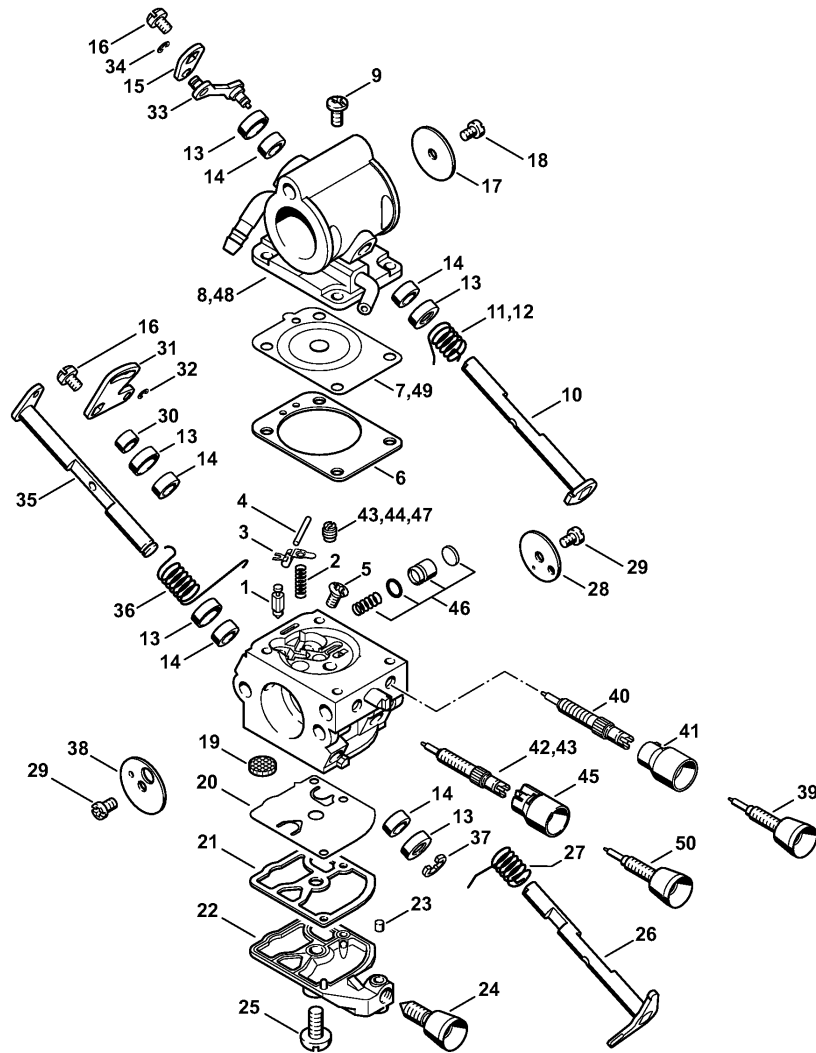
(1) TS 410, (2) TS 410-Z, (3) TS 420, (4) TS 420-Z, (5) TS 410-A, (6) TS 410-AZ, (7) TS 420-A, (8) TS 420-AZ



3710ET023.SC

Reference	Item number	Qty	Description
1	4238 400 1202	1	Flywheel (1-4) (25.2005)
2	4238 400 1201	1	Flywheel (5-8) (25.2005)
3	4238 400 4000	1	Generator (5-8)
4	9022 313 0658	3	Spline screw IS-M4x12 (5-8)
5	0000 955 0802	1	Collar nut M8x1
6	4238 400 1301	1	Ignition module □ 7, 8
7	0000 405 0600	1	Ignition lead 275 mm (D)
	0000 930 2251	1	Ignition lead 1 m (A,B)
	0000 930 2251	1	Ignition lead 10 m (A,B)
8	0000 989 1002	1	Grommet
9	4238 431 2100	1	Connector tag
10	9022 341 1019	2	Spline screw IS-M5x20
11	4223 084 1600	1	Cover
12	1128 405 1000	1	Spark plug boot
13	0000 998 0604	1	Torsion spring
14	4238 080 3100	1	Fan cover
15	* 0000 963 0809	3	Bushing (1-4) (22.2009)
16	9022 371 1020	4	Spline screw IS-M5x20

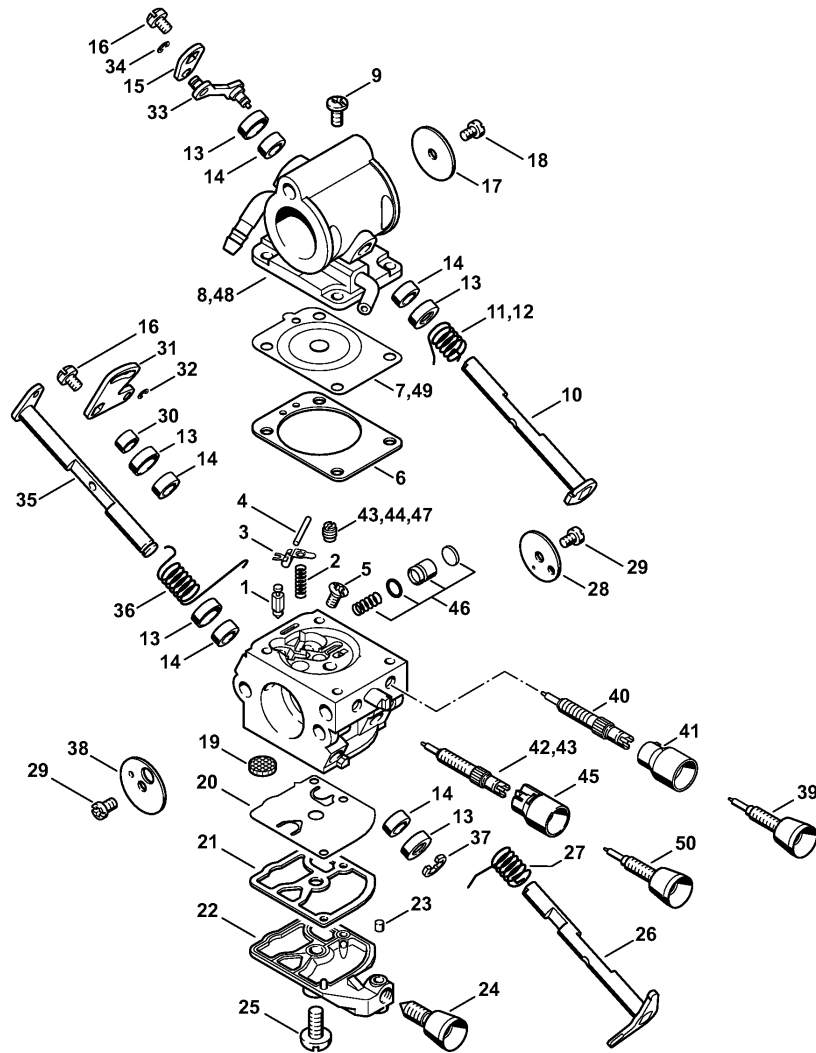
(1) TS 410, (2) TS 410-Z, (3) TS 420, (4) TS 420-Z, (5) TS 410-A, (6) TS 410-AZ, (7) TS 420-A, (8) TS 420-AZ



370ET030 AM

Reference	Item number	Qty	Description
	4238 120 0600	1	Carburetor C1Q-S118D □ 1 - 11, 13 - 38, 40 - 42, 44 - 46
	4238 120 0601	1	Carburetor C1Q-S167A (3) available in Brazil only □ 1 - 6, 9 - 11, 13 - 39, 46 - 50
1	4116 121 5100	1	Inlet needle
2	1129 122 3001	1	Spring
3	1125 121 5000	1	Inlet control lever
4	1120 121 9200	1	Spindle
5	1120 122 6600	1	Collar screw
6	4238 129 0901	1	Gasket
7	4238 121 4700	1	Metering diaphragm
8	4238 120 0850	1	End cover □ 11
9	1120 122 6601	4	Collar screw
10	4238 120 7300	1	Air valve shaft with lever
11	4238 122 3202	1	Torsion spring
12	* 4238 122 3201	1	Torsion spring (1-4) (22.2009)
13	4238 121 9400	5	Ring
14	4238 122 3600	5	Sealing ring
15	4238 121 6601	1	Lever
16	1139 122 7101	2	Screw
17	4180 121 3301	1	Throttle shutter
18	1125 122 7402	1	Round head screw
19	1123 121 7800	1	Strainer
20	1129 121 4800	1	Pump diaphragm
21	1123 129 0905	1	Gasket
22	4134 121 0802	1	End cover
23	1125 122 4200	1	Clamp
24	4229 122 6200	1	Idle speed adjustment screw
25	1120 122 7800	1	Oval head screw
26	4238 120 7100	1	Throttle shaft with lever
27	1123 122 3000	1	Spring
28	4238 121 3300	1	Throttle shutter
29	1125 122 7403	2	Round head screw

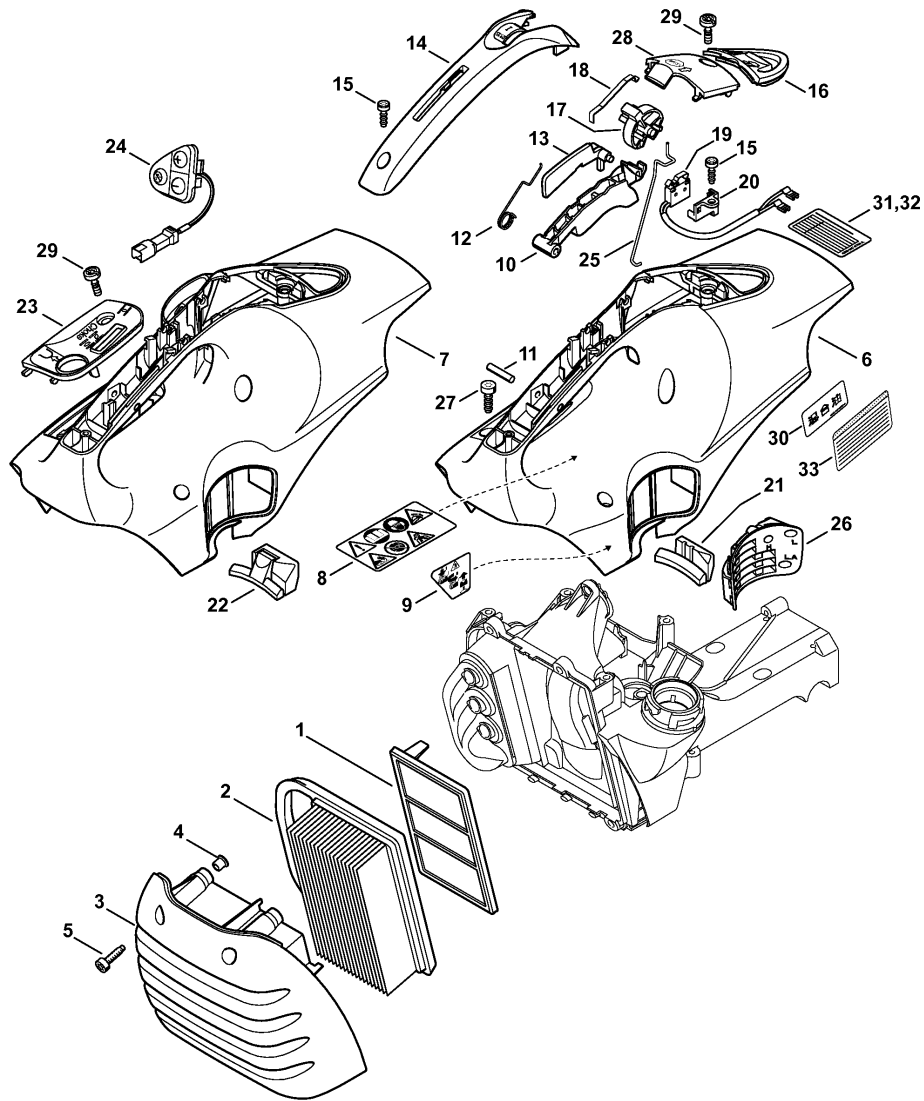
(1) TS 410, (2) TS 410-Z, (3) TS 420, (4) TS 420-Z, (5) TS 410-A, (6) TS 410-AZ, (7) TS 420-A, (8) TS 420-AZ



370ET030 AM

Reference	Item number	Qty	Description
30	4238 122 5000	1	Spacer sleeve
31	4238 121 6600	1	Lever
32	4238 122 9000	1	E-clip
33	4238 124 2100	1	Rod
34	1125 122 9003	1	E-clip
35	4238 120 7200	1	Choke shaft with lever
36	4238 122 3200	1	Torsion spring
37	1120 122 9000	1	E-clip
38	4128 121 2900	1	Choke shutter
39	4238 122 6800	1	Low speed adjustment screw
40	4238 120 6800	1	Low speed adjustment screw
			□ 41
41	4144 121 2700	1	Cap
42	4238 122 6701	1	High speed adjustment screw
43	* 4238 120 9800	1	High speed adjusting screw/fixed jet kit (1-4) (22.2009)
			□ 42, 44
44	4238 121 5601	1	Fixed jet 0.70
45	4229 121 2701	1	Cap
46	4238 120 9700	1	Pump piston kit
47	4238 121 5602	1	Fixed jet 0.76 (3) BR
48	4238 121 0801	1	End cover (3) BR
49	4238 121 4701	1	Metering diaphragm (3) BR
50	4238 122 6702	1	High speed adjustment screw (3) BR
	4238 007 1062	1	Set of carburetor parts (3) BR
			□ 6, 20, 21, 49
	4238 007 1060	1	Set of carburetor parts
			□ 6, 7, 20, 21

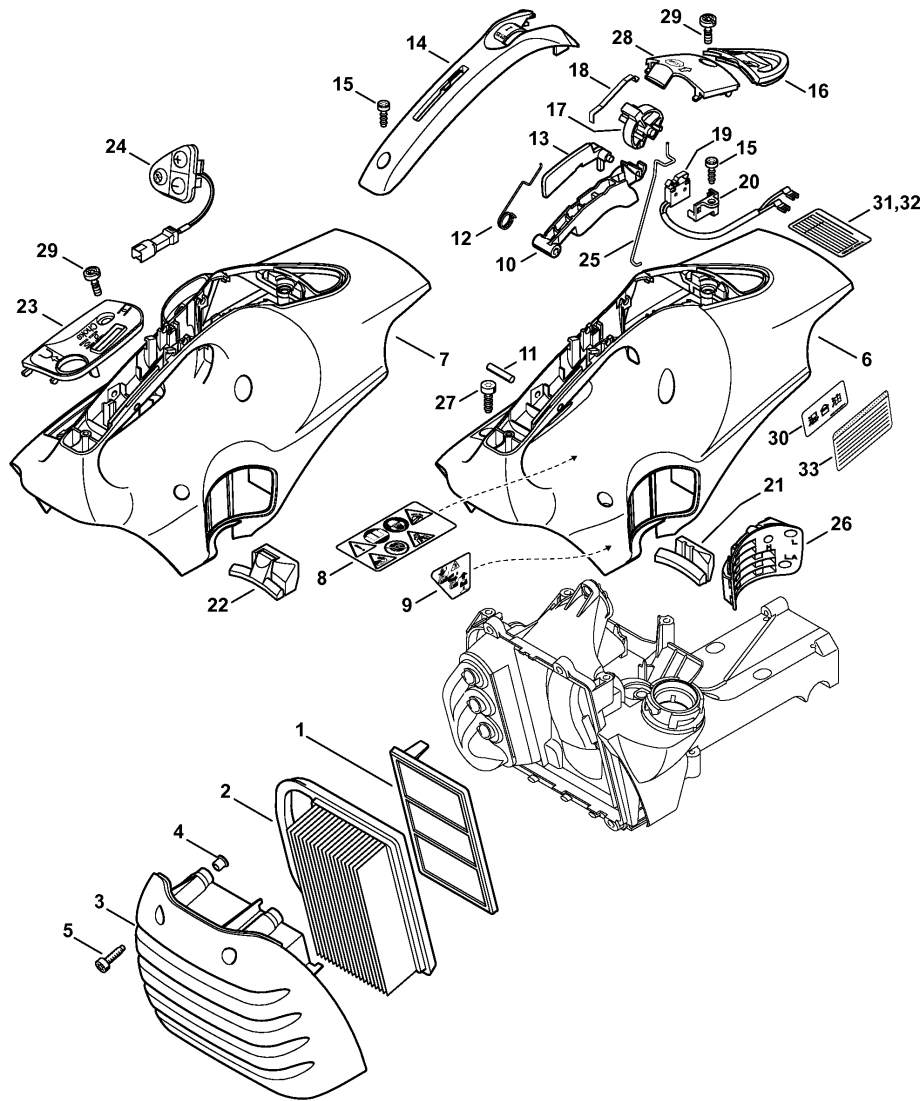
(1) TS 410, (2) TS 410-Z, (3) TS 420, (4) TS 420-Z, (5) TS 410-A, (6) TS 410-AZ, (7) TS 420-A, (8) TS 420-AZ



37/MET/023/SC

Reference	Item number	Qty	Description
	4238 140 4403	1	Air filter □ 1, 2
	4238 140 4404	1	Air filter USA □ 1, 2
1		1	Auxiliary filter (D)
2		1	Air filter (D)
3	4238 140 1000	1	Filter cover □ 4
4	* 0000 963 0809	4	Bushing (1-4) (22.2009)
5	0000 951 1109	4	Screw IS-M5x20
	4238 080 1604	1	Shroud (5-8) □ 7 - 20, 22, 23, 29
	4238 080 1603	1	Shroud (1-4) □ 6, 8 - 21
6	4238 080 1600	1	Shroud (1-4) □ 8, 9
7	4238 080 1602	1	Shroud (5-8) □ 8, 9
8	0000 967 3799	1	Warning pictogram TS
9	0000 967 4000	1	Warning pictogram Filler cap
10	4238 182 1000	1	Throttle trigger
11	9371 470 2640	1	Cylindrical pin 5x24
12	4238 182 4500	1	Torsion spring
13	4238 182 0800	1	Lockout lever
14	4238 791 0600	1	Handle molding
15	9074 477 4130	2	Pan head self-tapping screw IS-P5x16
16	4238 084 7400	1	Grommet
17	4238 182 0900	1	Switch shaft
18	4238 182 4700	1	Flat spring
19	4238 430 0501	1	Switch
20	4238 435 6001	1	Bracket
21	4238 087 8300	1	Rubber buffer (1-4)
22	4238 087 8301	1	Rubber buffer (5-8)
23	4238 080 2201	1	Cap (5-8) □ 29
24	4238 430 6500	1	Control panel (5-8)

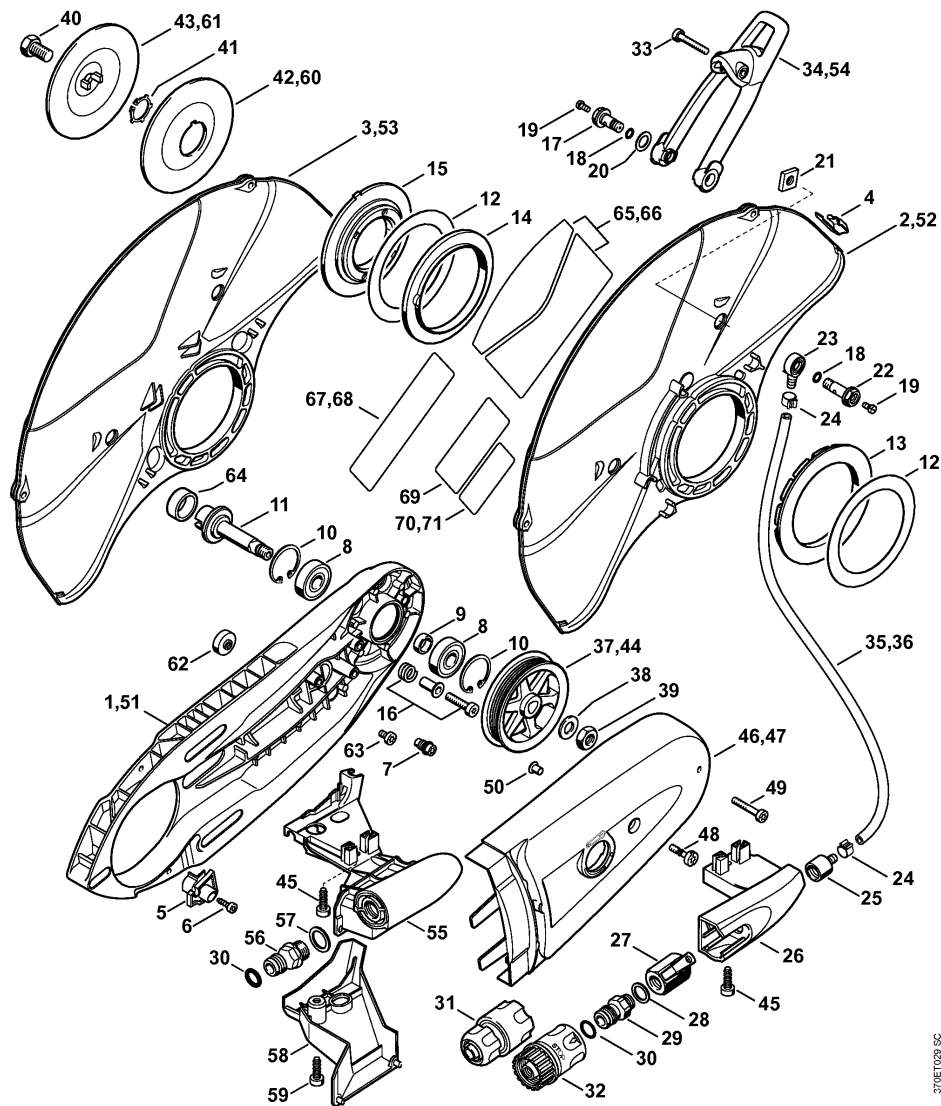
(1) TS 410, (2) TS 410-Z, (3) TS 420, (4) TS 420-Z, (5) TS 410-A, (6) TS 410-AZ, (7) TS 420-A, (8) TS 420-AZ



379MET028 5C

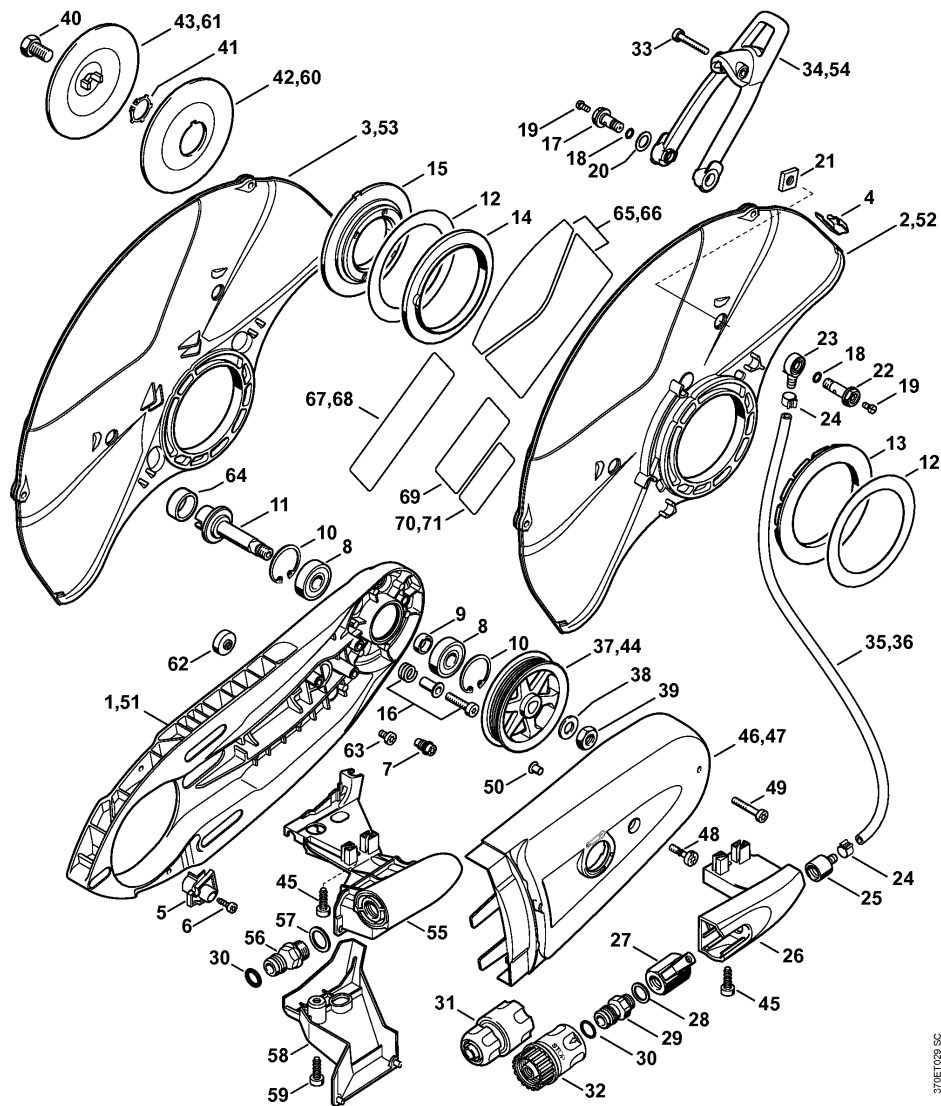
Reference	Item number	Qty	Description
25	4238 182 1500	1	Throttle rod
26	4238 123 7500	1	Grommet
27	9074 478 4425	4	Pan head self-tapping screw IS-P6x19
28	4238 080 2200	1	Cap □ 29
29	9022 319 0981	1	Screw IS-M5x17
30	4223 967 3700	1	Instruction label J
31	4238 967 3702	1	Instruction label (1) J
32	4238 967 3703	1	Instruction label (3) J
33	0000 967 4054	1	Warning Spark arresting screen (2,4,6,8) USA

(1) TS 410, (2) TS 410-Z, (3) TS 420, (4) TS 420-Z, (5) TS 410-A, (6) TS 410-AZ, (7) TS 420-A, (8) TS 420-AZ



Reference	Item number	Qty	Description
1	4238 701 0203	1	Cast arm (1,2,5,6)
2	4238 700 8105	1	Guard Ø 300 mm / 12" (1,2,5,6) □ 4
3 *	4238 700 8102	1	Guard Ø 300 mm / 12" (1,2) (35.2009) □ 4
4	4238 706 0400	2	Stiffener
5	4238 691 0200	1	Limit stop (1,2,4-8)
5	4238 691 0200	1	Limit stop (3) J
6	9074 478 3025	1	Pan head self-tapping screw IS-P4x16 (1,2,4-8)
6	9074 478 3025	1	Pan head self-tapping screw IS-P4x16 (3) J
7	4224 691 0100	1	Stop pin (1,2,4-8)
7	4224 691 0100	1	Stop pin (3) J
8	9503 003 6440	2	Grooved ball bearing 6201-2RS
9	0000 961 1206	1	Ring
10	9456 621 3600	2	Circlip 32x1.2
11	4224 704 0502	1	Shaft
12	4201 706 9202	2	Washer
13	4224 706 8802	1	Rubber ring
14	4224 706 8801	1	Rubber ring
15	4205 706 2903	1	Flange
16	4238 710 9500	4	Adjusting screw
17	0000 670 0207	1	Banjo bolt □ 18, 19
18	9645 948 0340	2	O-ring 6x1.5
19	9041 216 0630	2	Pan head screw M4x8
20	0000 679 2000	1	Gasket
21	4224 708 8300	2	Square nut
22	0000 670 0206	1	Banjo bolt □ 18, 19
23	4238 677 8202	1	Connector
24	9771 021 0921	2	Hose clip 10/7
25	4238 677 8200	1	Connector (1-4)
26	4238 708 8200	1	Bracket (1-4)
27	4201 700 4500	1	Shut-off cock 1/4" (1-4)
28	0000 954 1701	1	Sealing ring (1-4)

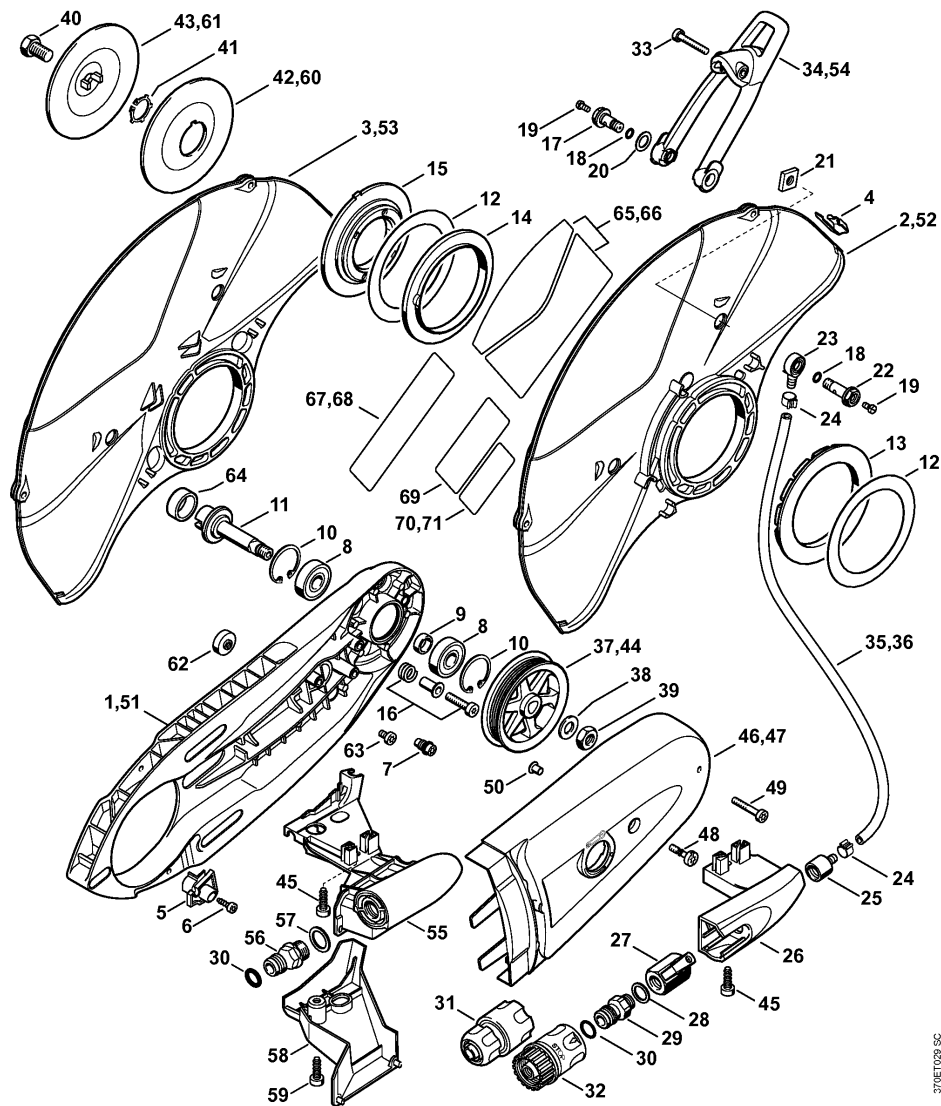
(1) TS 410, (2) TS 410-Z, (3) TS 420, (4) TS 420-Z, (5) TS 410-A, (6) TS 410-AZ, (7) TS 420-A, (8) TS 420-AZ



3710208 SC

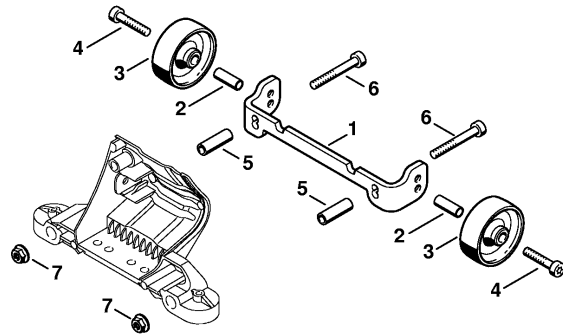
Reference	Item number	Qty	Description
29	4201 700 7300	1	Hose connector (1-4) □ 30
30	9645 945 7506	1	O-ring 10x3
31	4201 670 1700	1	Coupling sleeve 1/2"
32	4201 670 1701	1	Coupling sleeve 3/4" (2,4,6,8) USA, CDN
33	9022 341 1070	1	Spline screw IS-M5x30
34	4238 700 2900	1	Adjusting lever (1,2,5,6)
35		1	Hose 5.6x1.9x585 mm (D) (1-4)
36		1	Hose 5.6x1.9x527 mm (D) (5-8)
	0000 937 4049	1	Hose 5.6x1.9 mm x 1 m (A,B)
37	4238 764 8505	1	Poly V-belt pulley (1,2,5,6)
37	4238 764 8505	1	Poly V-belt pulley (4,8) AUS, NZ
38	9291 021 0200	1	Washer 10.5
39	9211 260 1350	1	Hexagon nut M10x1 l/h thread
40	4201 708 8402	1	Hexagon head screw M10x18
41	9450 721 2150	1	Circlip 20x1.2
42	4201 708 3004	1	Thrust washer Ø 103 mm
43	4201 708 3014	1	Thrust washer Ø 103 mm
44	4238 764 8504	1	Poly V-belt pulley (3,4,7,8)
45	9074 478 4425	1	Pan head self-tapping screw IS-P6x19
46	4238 700 8107	1	Guard (1,2,5,6) □ 48
47	4238 700 8109	1	Guard (3,4,7,8) □ 48
48		1	Screw (D)
49	* 9022 341 1070	1	Spline screw IS-M5x30 (1-4) (35.2009)
50	* 9443 825 7130	1	Hollow rivet 7.5x1x6.8 (1-4) (35.2009)
51	4238 701 0202	1	Cast arm (3,4,7,8)
52	4224 700 8108	1	Guard Ø 350 mm / 14" (4,7,8) □ 4
52	4224 700 8108	1	Guard Ø 350 mm / 14" (3) J □ 4

(1) TS 410, (2) TS 410-Z, (3) TS 420, (4) TS 420-Z, (5) TS 410-A, (6) TS 410-AZ, (7) TS 420-A, (8) TS 420-AZ



Reference	Item number	Qty	Description
53	4224 700 8102	1	Guard Ø 350 mm / 14" (3) Europe □ 4
53	* 4224 700 8102	1	Guard Ø 350 mm / 14" (3) J (35.2009) □ 4
53	* 4224 700 8102	1	Guard Ø 350 mm / 14" (4) (35.2009) □ 4
54	4224 700 2901	1	Adjusting lever (3,4,7,8)
55	4238 670 5200	1	Solenoid valve (5-8) □ 30, 56, 57
56	4238 700 7300	1	Hose connector (5-8) □ 30, 57
57	0000 894 3100	1	Sealing ring (5-8)
58	4238 403 2200	1	Cover (5-8)
59	9074 478 4425	1	Pan head self-tapping screw IS-P6x19 (5-8)
60	4205 708 3000	1	Thrust washer Ø 118 mm (3,4) AUS, J
61	4205 708 3010	1	Thrust washer Ø 118 mm (3,4) AUS, J
62	* 4224 790 9300	1	Rubber buffer (2,4) USA, CDN (35.2009)
63	* 9022 341 0910	1	Spline screw IS-M5x6 (2,4) USA, CDN (35.2009)
64	0000 708 4200	1	Shaft sleeve (B)
65	0000 960 0100	1	Set of instruction labels (2,6) USA
66	0000 960 0101	1	Set of instruction labels (4,8) USA
67	0000 967 3903	1	Instruction label (2,4,6,8) CDN
68	0000 967 7226	1	Warning pictogram (1,3,5,7) Europe
69	4223 967 3701	1	Instruction label (1,3) J
70	4238 967 3700	1	Instruction label (1) J
71	4238 967 3701	1	Instruction label (3) J

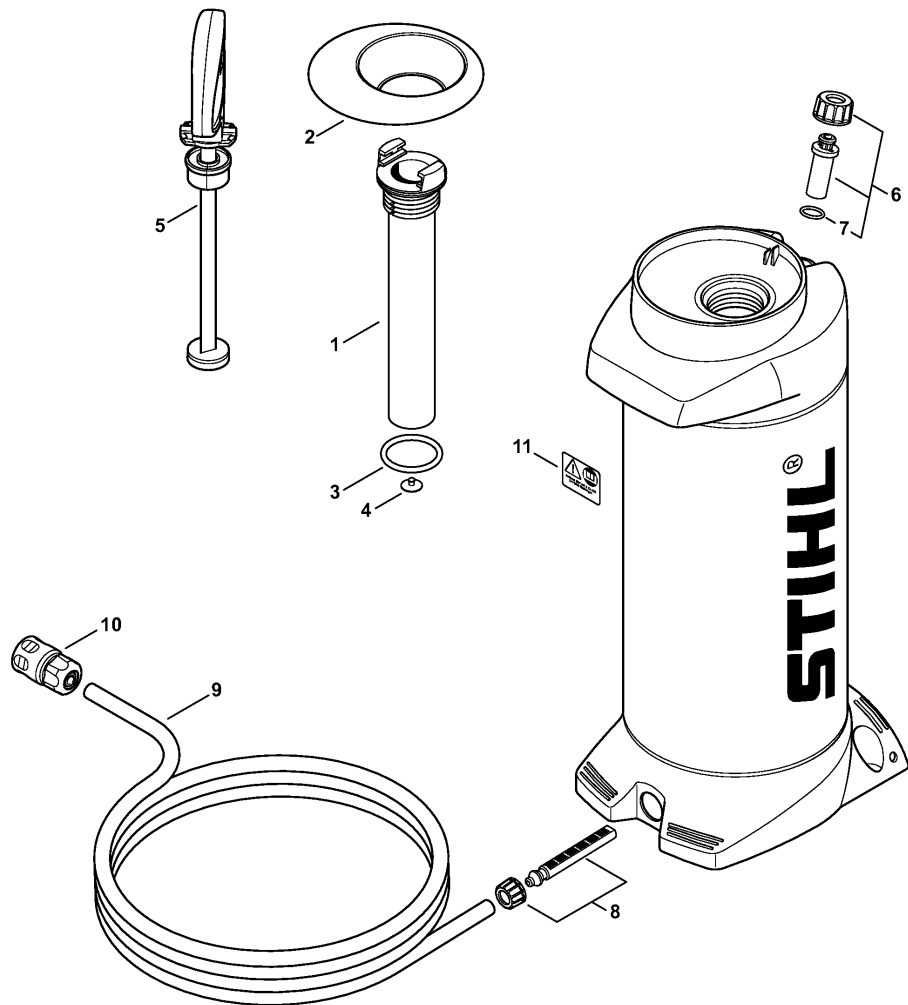
(1) TS 410, (2) TS 410-Z, (3) TS 420, (4) TS 420-Z, (5) TS 410-A, (6) TS 410-AZ, (7) TS 420-A, (8) TS 420-AZ



3710ET008 SCS

Reference	Item number	Qty	Description
	4224 007 1014	1	Wheel mounting kit (B) □ 1 - 7
1		1	Carrier (B,D)
2	4223 791 7200	2	Sleeve (B)
3	4223 791 3600	2	Wheel (B)
4	9007 319 1370	2	Hexagon head screw M6x30 (B)
5	4224 791 7204	2	Sleeve (B)
6	9007 319 1420	2	Hexagon head screw M6x45 (B)
7	9210 260 1100	2	Hexagon nut M8 (B)

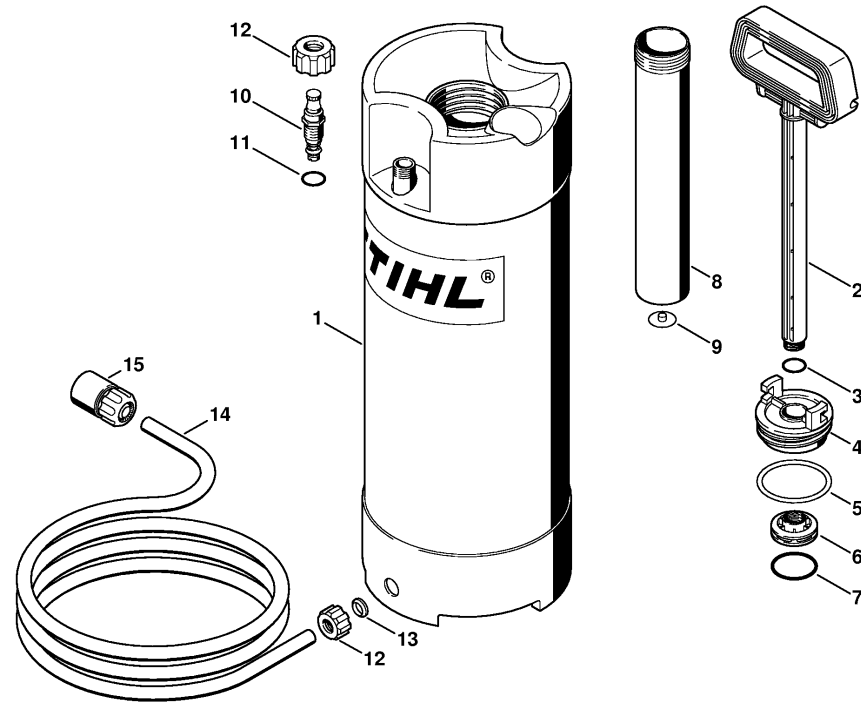
(1) TS 410, (2) TS 410-Z, (3) TS 420, (4) TS 420-Z, (5) TS 410-A, (6) TS 410-AZ, (7) TS 420-A, (8) TS 420-AZ



378ET043 SC

Reference	Item number	Qty	Description
	0000 670 6000	1	Water tank (B) □ 1 - 11
1	0000 670 6600	1	Pump barrel (B) □ 2 - 4
2	0000 676 0500	1	Funnel (B)
3		1	O-ring 46.99x5.33 (B,D)
4		1	Valve (B,D)
5	0000 670 7700	1	Handle (B)
6	0000 670 5000	1	Valve (B) □ 7
7		1	O-ring 17x2,5 (B,D)
	0000 670 0300	1	Hose (B) □ 8 - 10
8	0000 670 0400	1	Strainer (B)
9	4309 678 1100	1	Hose 4 m / 158" (B)
10	4201 670 1700	1	Coupling sleeve 1/2" (B)
11	0000 967 7304	1	Warning pictogram (B)
	0000 007 1600	1	Set of gaskets (B) □ 3, 4, 7

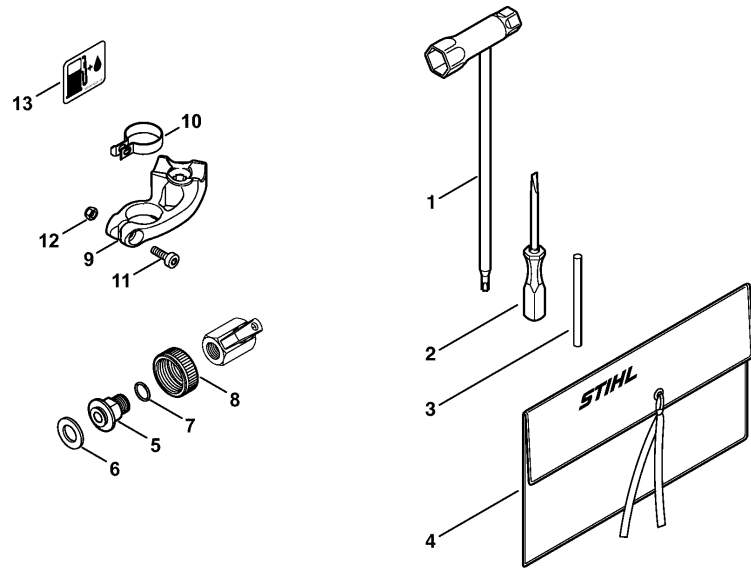
(1) TS 410, (2) TS 410-Z, (3) TS 420, (4) TS 420-Z, (5) TS 410-A, (6) TS 410-AZ, (7) TS 420-A, (8) TS 420-AZ



337ET021 GM

Reference	Item number	Qty	Description
	* 4223 670 6000	1	Water tank (B,C) (28.2010) □ 1 - 14
	* 4223 670 6001	1	Water tank (B,C) USA (28.2010) □ 1 - 15
1	* 4223 670 6010	1	Water tank (B) (28.2010) □ 12, 13
2	* 4223 670 7700	1	Handle (B) (28.2010) □ 3
3	* 9645 945 7560	1	O-ring 14x1.78 (B) (28.2010)
4	* 4223 670 8600	1	Filler cap (B) (28.2010) □ 5
5	* 9645 945 8240	1	O-ring 56.5x 5.33 (B) (28.2010)
6	* 4223 670 8200	1	Piston (B) (28.2010) □ 7
7	* 9645 945 7958	1	O-ring 37.5x3.15 (B) (28.2010)
8	* 4223 670 6600	1	Pump barrel (B) (28.2010) □ 9
9	* 4223 678 2600	1	Valve (B) (28.2010)
10	* 4223 670 5000	1	Valve (B) (28.2010) □ 11
11	* 9645 945 7494	1	O-ring 8.76x1.78 (B) (28.2010)
12	* 4223 677 8300	2	Union nut (B) (28.2010)
13	* 4223 678 1600	1	Insert (B) (28.2010)
14	* 4309 678 1100	1	Hose 4 m / 158" (B) (28.2010)
15	* 4201 670 1700	1	Coupling sleeve 1/2" (B) (28.2010)

(1) TS 410, (2) TS 410-Z, (3) TS 420, (4) TS 420-Z, (5) TS 410-A, (6) TS 410-AZ, (7) TS 420-A, (8) TS 420-AZ



370ET017 GM

Reference	Item number	Qty	Description
1	4224 890 3400	1	Combination wrench
2	5910 890 2305	1	Screwdriver
3	4130 893 7800	1	Locking pin
4	0000 891 0810	1	Tool roll
	4238 670 3603	1	Water connection TS (B) USA □ 5 - 13
5	4238 700 7301	1	Hose connector (B) USA □ 6, 7
6	0000 679 2001	1	Gasket (B) USA
7	9646 945 1050	1	O-ring 11x1.5 (B) USA
8	4238 708 3100	1	Union nut (B) USA
9	4238 792 2501	1	Support (B) USA
10	4238 791 9400	1	Hose clamp (B) USA
11	9022 341 0980	1	Spline screw IS-M5x16 (B) USA
12	9214 320 0700	1	Lock nut M5 (B) USA
13	0000 967 4022	1	Instruction label (B) USA

(1) TS 410, (2) TS 410-Z, (3) TS 420, (4) TS 420-Z, (5) TS 410-A, (6) TS 410-AZ, (7) TS 420-A, (8) TS 420-AZ