

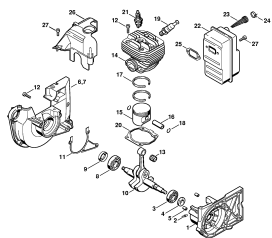
**03-2017-D-GB**

**Table of contents**

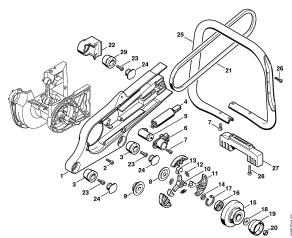
---

TS 400	4
Crankcase	7
Cast arm, Clutch	9
Rewind starter	11
Tank housing	13
Tank housing Japan	15
Tank housing → 1 44 576 634 (53.1999)	18
Ignition system	20
Carburetor HS-274 (24.2003)	23
Carburetor WJ-108	26
Carburetor HS-279	28
Carburetor HS-301 Japan	31
Air filter	34
Shroud	36
Support with guard	38
Water attachment	41
Cutquik cart	43
Mounting kit - Cutquik cart	45
Guide wheel kit, Wheel kit	48
Water tank	50
Pressurized water tank	52
Pressurized water tank (28.2010)	54
Tools	56
Pressurized water tank	58
Serial number	60

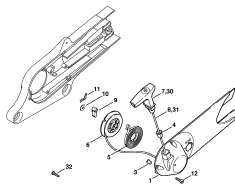




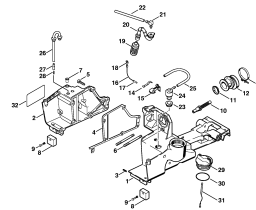
Crankcase



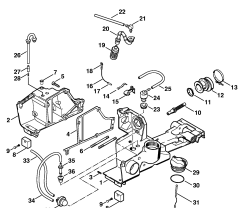
Cast arm, Clutch



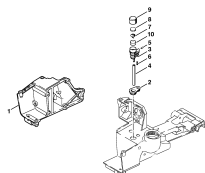
Rewind starter



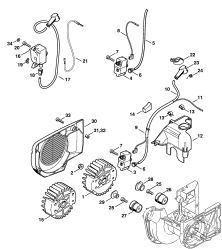
Tank housing



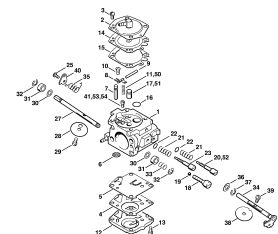
Tank housing Japan



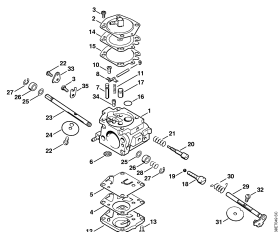
Tank housing → 1 44 576 634 (53.1999)



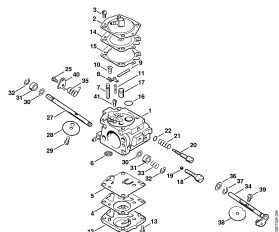
Ignition system



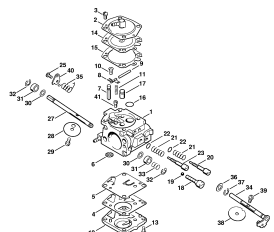
Carburetor HS-274 (24.2003)



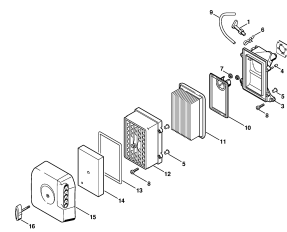
Carburetor WJ-108



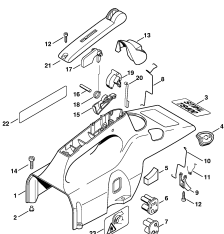
Carburetor HS-279



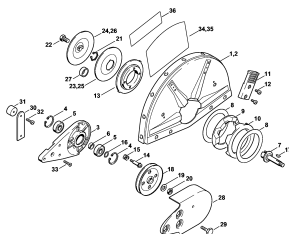
Carburetor HS-301 Japan



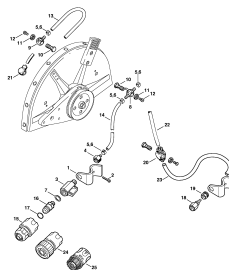
Air filter



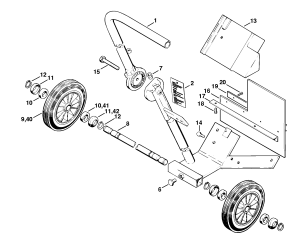
Shroud



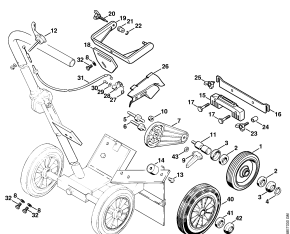
Support with guard



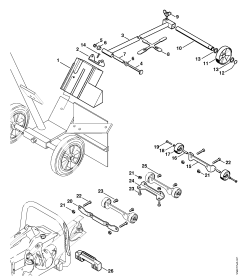
Water attachment



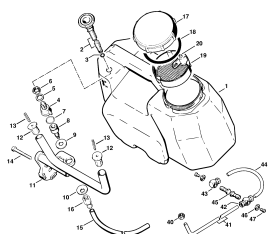
Cutquik cart



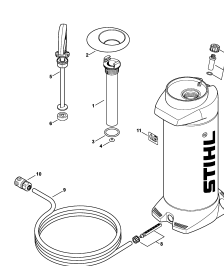
Mounting kit - Cutquik cart



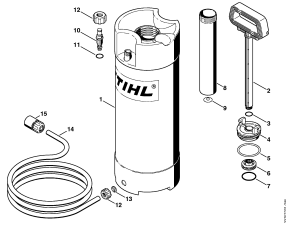
Guide wheel kit, Wheel kit



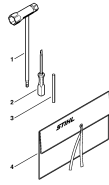
Water tank



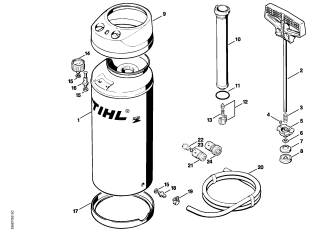
Pressurized water tank



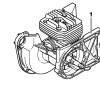
Pressurized water tank  
(28.2010)



Tools

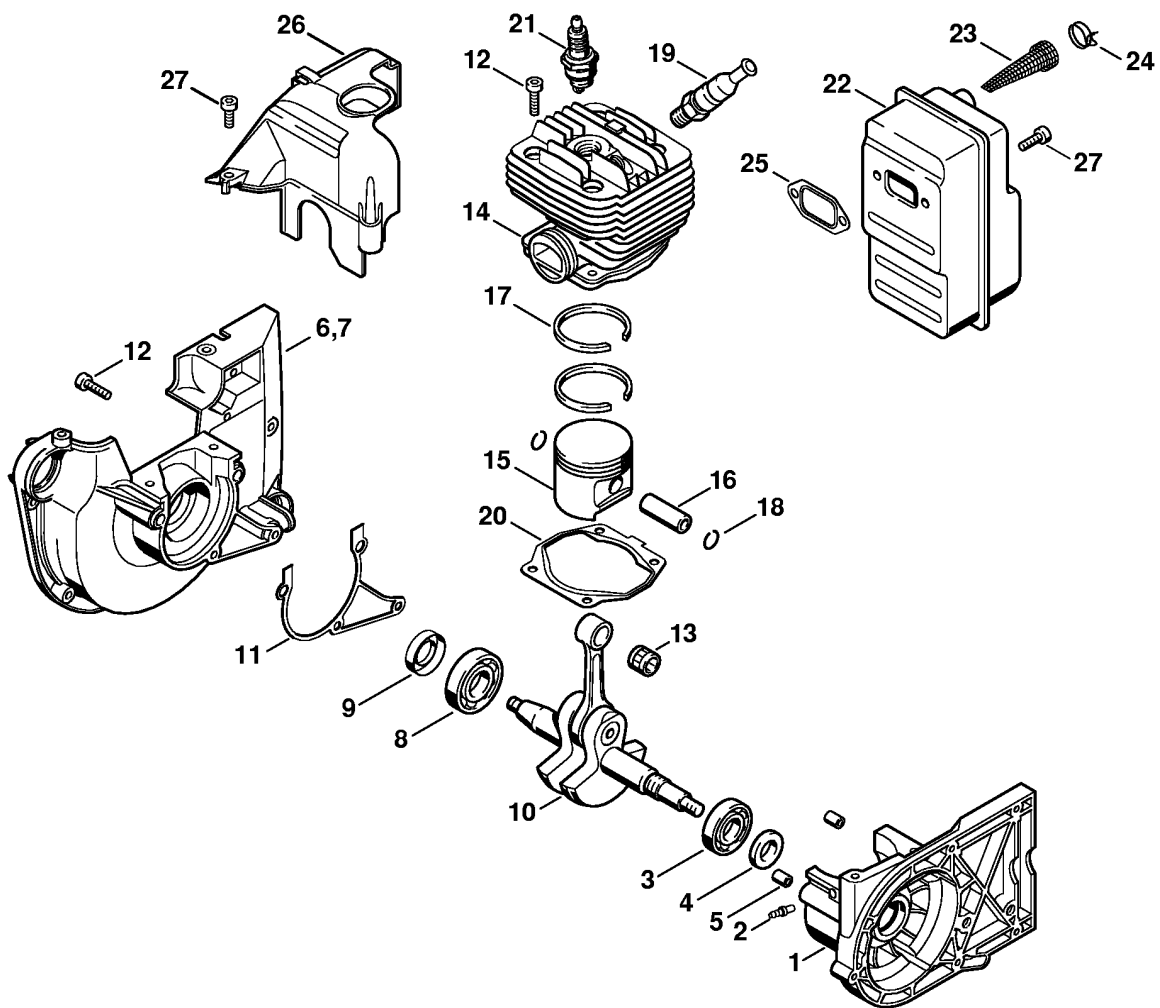


Pressurized water tank



Serial number

Description
Crankcase
Cast arm, Clutch
Rewind starter
Tank housing
Tank housing Japan
Tank housing → 1 44 576 634 (53.1999)
Ignition system
Carburetor HS-274 (24.2003)
Carburetor WJ-108
Carburetor HS-279
Carburetor HS-301 Japan
Air filter
Shroud
Support with guard
Water attachment
Cutquik cart
Mounting kit - Cutquik cart
Guide wheel kit, Wheel kit
Water tank
Pressurized water tank
Pressurized water tank (28.2010)
Tools
Pressurized water tank
Serial number

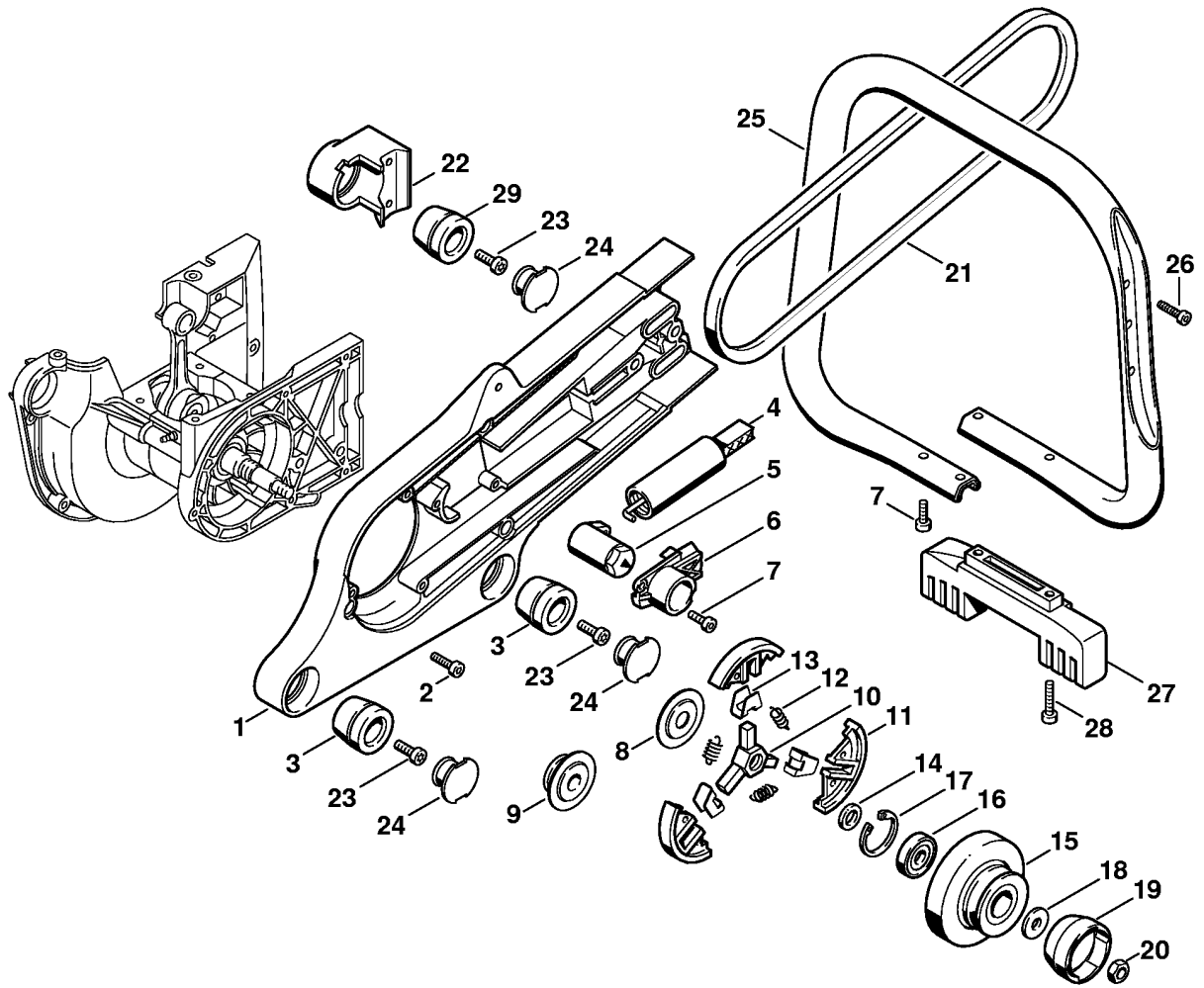


338ET038 SC

## Crankcase

Reference	Item number	Qty	Description	Contains	Up to	Technical Information
1	4223 020 2900	1	Crankcase	2 - 5		
2	0000 988 5211	1	Connector			
3	9503 003 0341	1	Grooved ball bearing 6202			
4	9640 003 1570	1	Oil seal 15x24x7			
5	0000 988 8600	2	Sleeve			
6	4223 020 2601	1	Crankcase	8, 9		
7	* 4223 020 2600	1	Crankcase	8, 9	154117859	2.2002
8	9503 003 0450	1	Grooved ball bearing 6203			
9	9640 003 1745	1	Oil seal 17x28x7			
10	4223 030 0400	1	Crankshaft			25.2005
11	4223 029 0500	1	Gasket			
12	9022 371 1020	8	Spline screw IS-M5x20			
13	9512 003 2340	1	Needle cage 10x14x13			
14	4223 020 1200	1	Cylinder with piston Ø 49 mm	15 - 18		
15	4223 030 2000	1	Piston Ø 49 mm	16 - 18		
16	1110 034 1500	1	Piston pin 10x6x32			
17	1127 034 3006	2	Piston ring Ø 49x1.5 mm			
18	9463 650 1000	1	Snap ring 10			
19	4223 020 9400	1	Decompression valve			
20	4223 029 2301	1	Cylinder gasket			
21	1110 400 7005	1	Spark plug Bosch WSR 6 F			
21	0000 400 7000	1	Spark plug NGK BPMR7A			
22	4223 140 0601	1	Muffler	23, 24		
23	4223 141 9000	1	Screen			
24	4223 141 6600	1	Clip			
25	1125 149 0601	1	Muffler gasket			
26	*	1	Air guide shroud (C)			53.2007
27	9022 371 1020	6	Spline screw IS-M5x20			
	4223 007 1050	1	Set of gaskets	4, 9, 11, 20, 25		

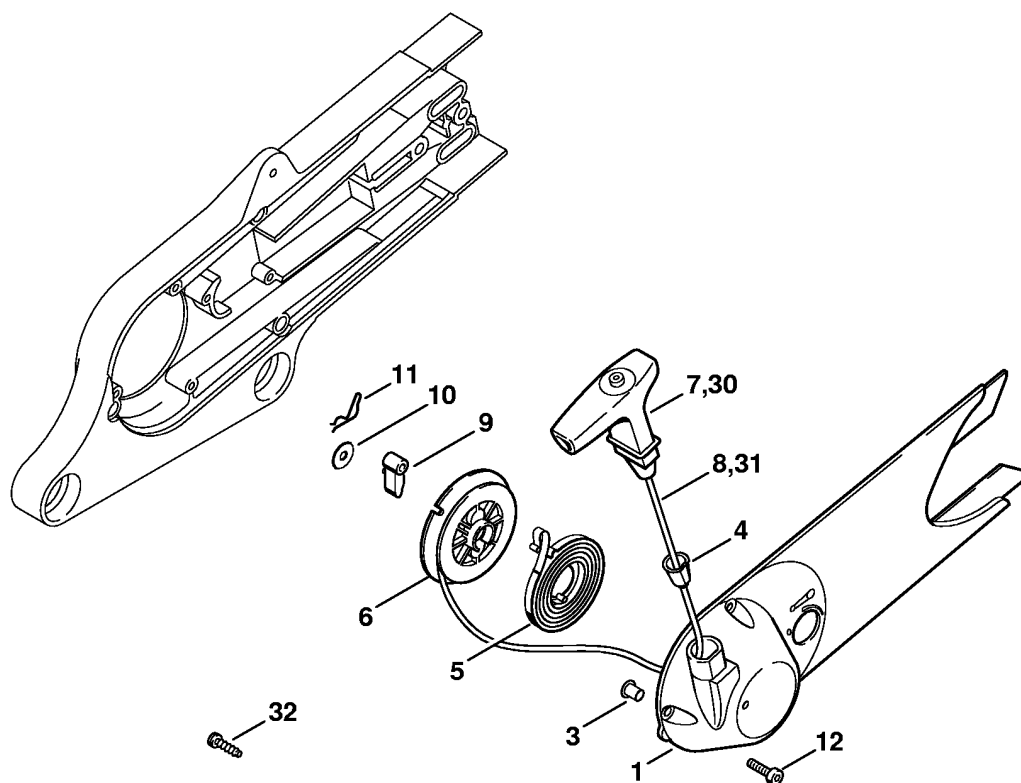




338ET043 SC

## Cast arm, Clutch

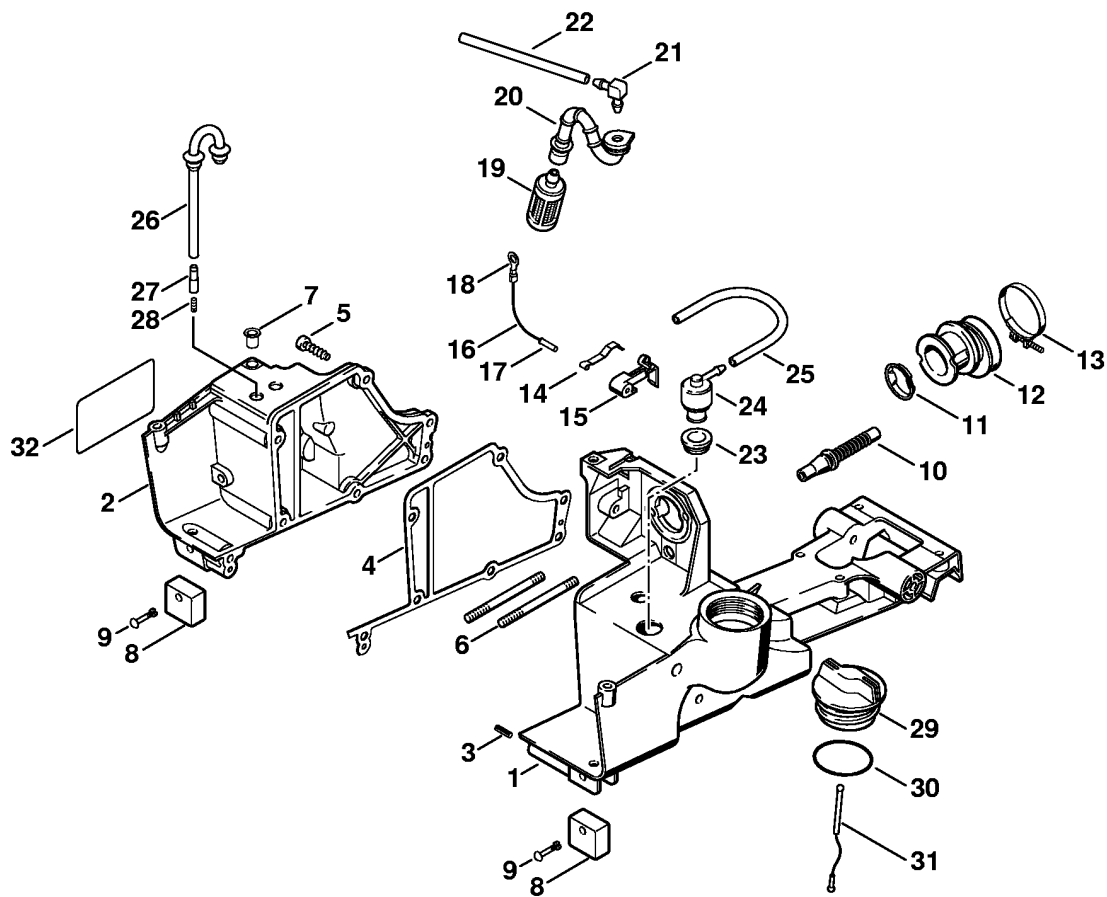
Reference	Item number	Qty	Description	Contains
1	4223 701 0200	1	Cast arm	
2	9022 371 1020	5	Spline screw IS-M5x20	
3	1125 790 9906	2	Annular buffer 1125/06	
4	4221 660 0400	1	Belt tensioner	
5	4221 664 2100	1	Clamping lever	
6	4221 664 4200	1	Cover	
7	9022 341 0980	4	Spline screw IS-M5x16	
8	4223 162 1000	1	Cover washer	
9	4223 160 3000	1	Cover washer (B)	
10	1125 160 2005	1	Clutch	11 - 13
11	1128 162 0806	3	Clutch shoe	
12	0000 997 5815	3	Tension spring	
13	1128 162 3000	3	Retainer	
14	0000 961 1003	1	Ring	
15	4223 700 2500	1	V-belt pulley	16, 17
16	9503 003 6310	1	Grooved ball bearing 6200-2RS	
17	9456 621 3310	1	Circlip 30x1.2	
18	0000 958 0824	1	Washer	
19	4223 195 0600	1	Starter cup	
20	9210 261 1140	1	Hexagon nut M8x1	
21	9490 000 7851	1	Narrow V-belt 10/6x859LW	
22	4223 791 1900	1	Handlebar support	
23	9022 341 1280	3	Spline screw IS-M6x16	
24	1125 791 7306	3	Plug	
25	4223 790 1750	1	Handlebar	26
26	9074 478 4435	2	Pan head self-tapping screw IS-P6x19	
27	4223 791 7600	1	Support	
28	9022 371 1050	2	Spline screw IS-M5x25	
29	1125 790 9906	1	Annular buffer 1125/06	



338ET027 GM

## Rewind starter

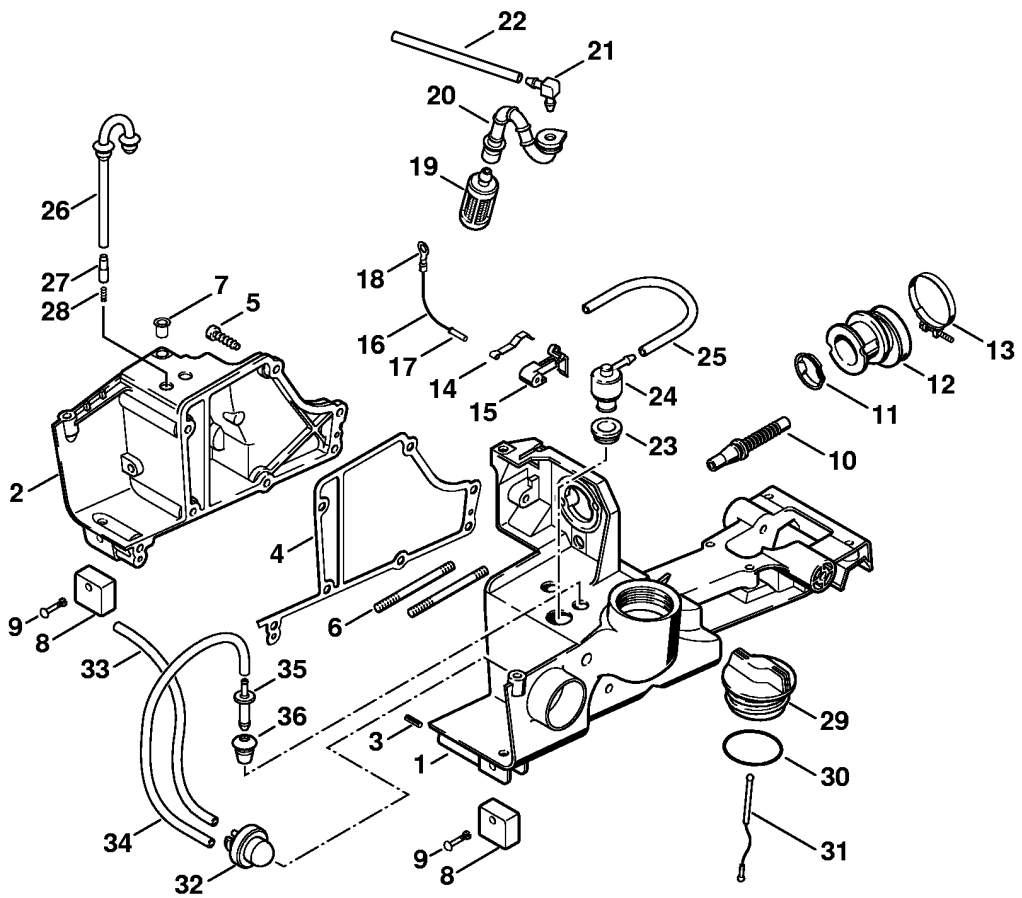
Reference	Item number	Qty	Description	Contains	Up to	Technical Information
	4223 190 0401	1	Starter cover with rewind starter	1 - 11		
1	4223 190 0411	1	Starter cover	3, 4		
3	9443 825 7130	3	Hollow rivet 7.5x1x6.8			
3	* 9416 868 6630	3	Hollow rivet 6.5x0.5x6.8			
4	1110 084 9102	1	Bushing			
5	4223 190 0600	1	Rewind spring			
6	4223 190 1001	1	Rope rotor			
7	0000 190 3414	1	Starter grip ElastoStart Ø 4.5 mm	8		
8	0000 190 2901	1	Starter rope Ø 4.5 mm			
	0000 930 2295	1	Starter rope Ø 4.5mm / 28 pieces (A,B)			
9	4116 195 7200	1	Pawl			
10	0000 958 0923	1	Washer			
11	1118 195 3500	1	Spring			
12	9022 371 1020	3	Spline screw IS-M5x20			
30	* 1128 190 3400	1	Starter grip ElastoStart Ø 3,5 mm	31	38430817	4.1998
31	* 1128 190 2900	1	Starter rope Ø 3.5 mm		38430817	4.1998
	* 0000 930 2267	1	Starter rope Ø 3.5 mm / 28 pieces (A,B)		38430817	4.1998
32	* 4223 084 5600	1	Screw		38430817	4.1998



338ET047 SC

## Tank housing

Reference	Item number	Qty	Description	Contains
1	4223 350 0804	1	Tank housing	2 - 10, 19 - 31
2	4223 350 0805	1	Tank housing, left	
3	9386 620 1680	2	Roll pin 3x12	
4	4223 359 0701	1	Gasket	
5	9075 478 4155	7	Pan head self-tapping screw IS-D5x24	
6	9121 319 1120	2	Stud M5x55	
7	9416 868 6531	1	Hollow rivet 6.5x0.5x6.8	
8	4223 792 9300	2	Rubber buffer	
9	4223 792 2300	2	Pin	
10	4223 141 8600	1	Impulse hose	
11	1122 141 1805	1	Sleeve	
12	4223 141 2200	1	Manifold	
13	9771 021 2620	1	Hose clip Ø 36x5	
14	4223 442 1600	1	Contact spring	
15	4223 435 6005	1	Support	
16	4223 440 2200	1	Ground wire	17, 18
17	1110 442 7000	1	Contact sleeve (C)	
18	0751 030 8969	1	Terminal socket A5-1.5 (C)	
19	0000 350 3500	1	Pickup body	
	4223 350 3601	1	Set hose / elbow connector	20 - 22
20	4223 358 7701	1	Hose	
21	4224 122 3900	1	Elbow connector	
22		1	Hose 3.1x5.7x87 mm, R3 (D)	
	0000 930 2803	1	Hose 3.1x5.7 mm x 1 m, R3 (A,B)	
	0712 923 8004	1	Hose 3.1x5.7 mm x 10 m, R3 (A,B)	
23	4223 353 9201	1	Grommet	
24	4223 350 5803	1	Tank vent	
25		1	Hose 3.1x5.7x87 mm, R3 (D)	
	0000 930 2803	1	Hose 3.1x5.7 mm x 1 m, R3 (A,B)	
	0712 923 8004	1	Hose 3.1x5.7 mm x 10 m, R3 (A,B)	
26	4223 350 5805	1	Tank vent	27, 28
27	4205 350 5800	1	Tank vent	28
28	1120 358 8105	1	Vent insert	
29	0000 350 0527	1	Filler cap	30, 31
30	9645 951 3890	1	O-ring 35x3-FPM 80	
31	0000 350 0900	1	Rope	
32	0000 967 3502	1	Instruction label USA	



338ET048 SC

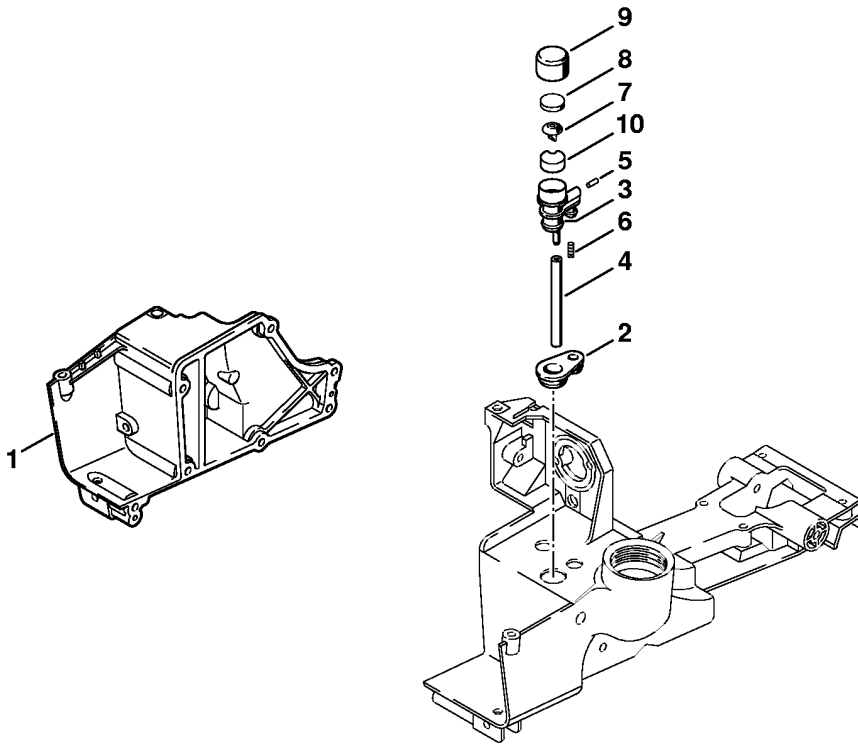
## Tank housing Japan

Reference	Item number	Qty	Description	Contains
1	4223 350 0808	1	Tank housing J	2 - 10, 19 - 36
2	4223 350 0805	1	Tank housing, left	
3	9386 620 1680	2	Roll pin 3x12	
4	4223 359 0701	1	Gasket	
5	9075 478 4155	7	Pan head self-tapping screw IS-D5x24	
6	9121 319 1120	2	Stud M5x55	
7	9416 868 6531	1	Hollow rivet 6.5x0.5x6.8	
8	4223 792 9300	2	Rubber buffer	
9	4223 792 2300	2	Pin	
10	4223 141 8600	1	Impulse hose	
11	1122 141 1805	1	Sleeve	
12	4223 141 2200	1	Manifold	
13	9771 021 2620	1	Hose clip Ø 36x5	
14	4223 442 1600	1	Contact spring	
15	4223 435 6005	1	Support	
16		1	Ground wire 52 mm / 2 1/16" (D)	
	0751 010 1110	1	Lead 10 m / 33' (A,B)	
17	1110 442 7000	1	Contact sleeve (C)	
18	0751 030 8969	1	Terminal socket A5-1.5 (C)	
19	0000 350 3500	1	Pickup body	
	4223 350 3601	1	Set hose / elbow connector	20 - 22
20	4223 358 7701	1	Hose	
21	4224 122 3900	1	Elbow connector	
22		1	Hose 3.1x5.7x87 mm, R3 (D)	
	0000 930 2803	1	Hose 3.1x5.7 mm x 1 m, R3 (A,B)	
	0712 923 8004	1	Hose 3.1x5.7 mm x 10 m, R3 (A,B)	
23	4223 353 9201	1	Grommet	
24	4223 350 5803	1	Tank vent	
25		1	Hose 3.1x5.7x87 mm, R3 (D)	
	0000 930 2803	1	Hose 3.1x5.7 mm x 1 m, R3 (A,B)	
	0712 923 8004	1	Hose 3.1x5.7 mm x 10 m, R3 (A,B)	
26	4223 350 5805	1	Tank vent	27, 28
27	4205 350 5800	1	Tank vent	28
28	1120 358 8105	1	Vent insert	
29	0000 350 0527	1	Filler cap	30, 31
30	9645 951 3890	1	O-ring 35x3-FPM 80	
31	0000 350 0900	1	Rope	
32	1130 350 6200	1	Fuel pump J	



## Tank housing Japan

Reference	Item number	Qty	Description	Contains
33		1	Hose 2.2x5.4x128 mm, R1 (D) J	
	4223 350 3602	1	Hose with connector J	34 - 36
34		1	Hose 2.2x5.4x144 mm, R1 (D) J	
	0000 930 2802	1	Hose 2.2x5.4 mm x 1 m, R1 (A,B) J	
35	0000 988 5206	1	Connector J	
36	0000 989 0608	1	Grommet J	

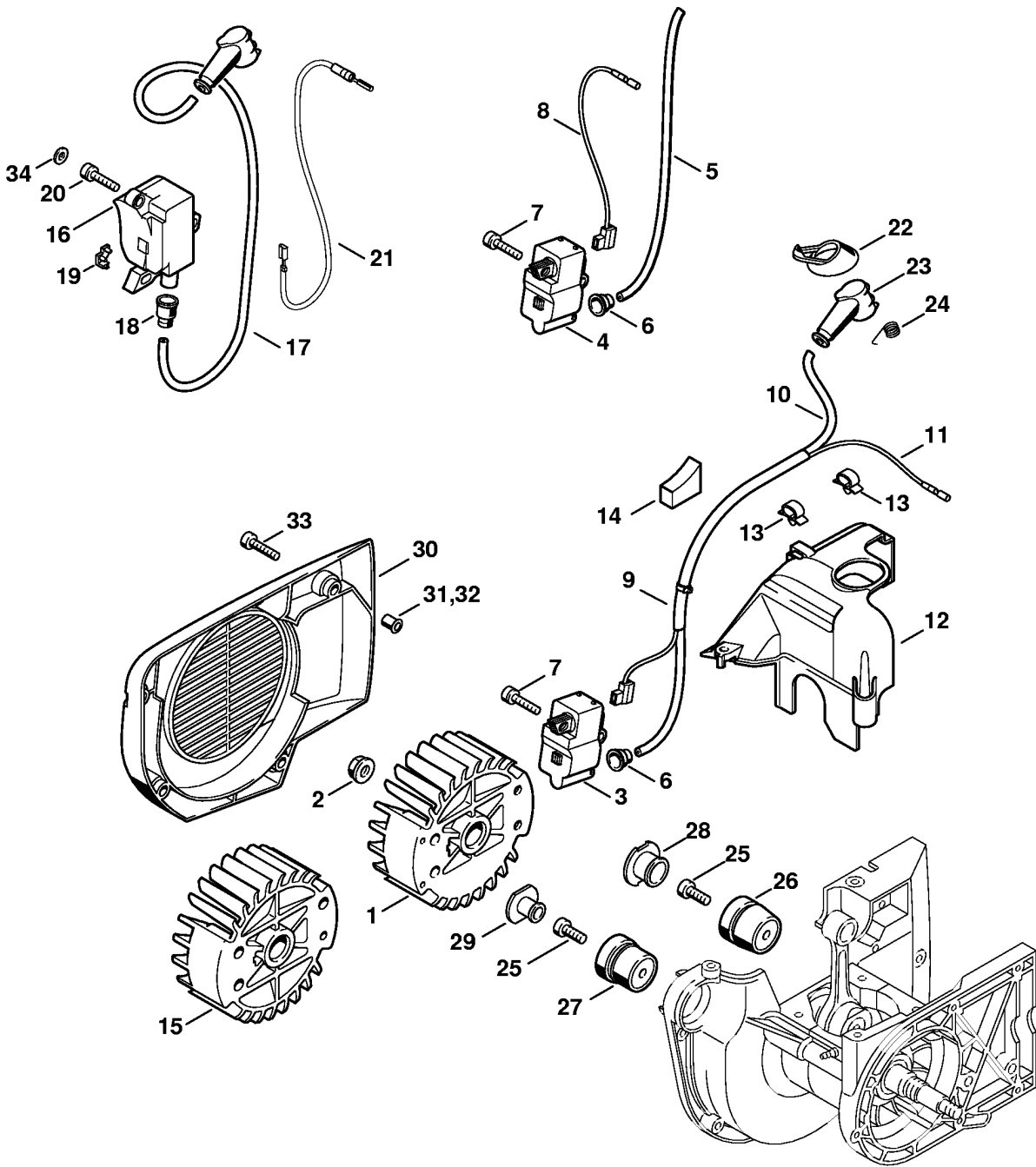


338ET013 GM

**Tank housing → 1 44 576 634 (53.1999)**

Reference	Item number	Qty	Description	Contains	Up to	Technical Information
1	* 4223 351 0510	1	Tank housing, left		144576634	53.1999
2	* 4223 353 9200	1	Grommet		144576634	53.1999
3	* 4223 350 5800	1	Tank vent	4 - 10	144576634	53.1999
4	*	1	Hose 3.1x5.7x65 mm, R3 (D)		144576634	53.1999
	0000 930 2803	1	Hose 3.1x5.7 mm x 1 m, R3 (A,B)			
5	* 9517 003 5000	1	Cylindrical roller 3x5		144576634	53.1999
6	* 1120 358 8105	1	Vent insert		144576634	53.1999
7	* 4114 353 1600	1	Valve		144576634	53.1999
8	* 0000 358 1810	1	Filter		144576634	53.1999
9	* 4223 353 2300	1	Cap		144576634	53.1999
10	* 0000 358 1811	1	Filter		144576634	53.1999

**Ignition system**



338ET050 SC

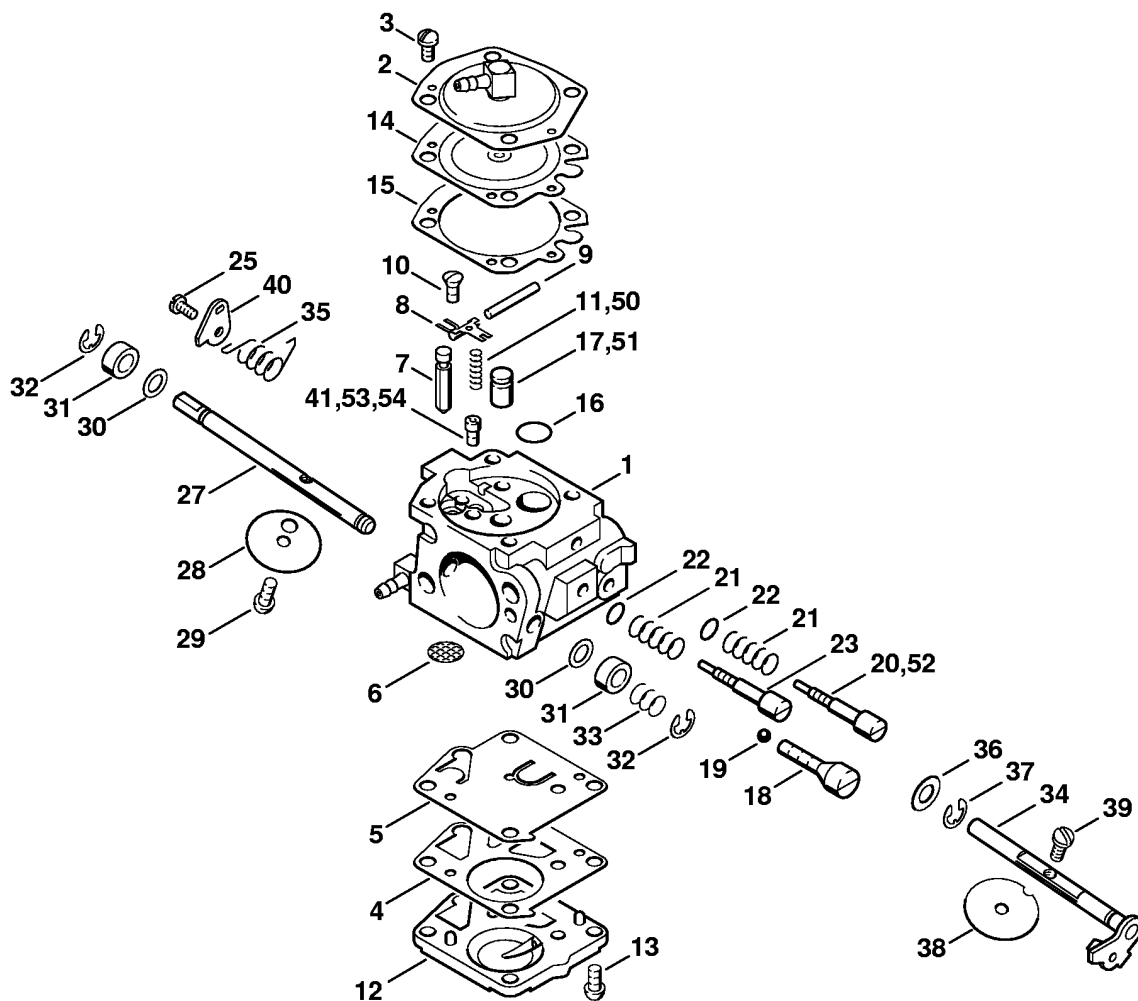
## Ignition system

Reference	Item number	Qty	Description	Contains	Up to	Technical Information
1	4223 400 1201	1	Flywheel			25.2005
2	0000 955 0802	1	Collar nut M8x1			
3	4223 400 1303	1	Ignition module	6		
4	*	1	Ignition module (C)	5, 6		53.2007
5	*	1	Ignition lead 330 mm (C,D)			53.2007
6	0000 989 1002	1	Grommet			
7	9022 341 1019	2	Spline screw IS-M5x20			
8	*	1	Short circuit wire (C)			53.2007
	* 4223 007 1015	1	Conversion kit Wiring harness	9 - 14		53.2007
9	4223 440 3001	1	Wiring harness	10, 11		
10		1	Ignition lead (D)			
11		1	Short circuit wire (D)			
12	4223 080 0900	1	Air guide shroud	13		
13	4223 701 3300	2	Cable clamp			
14	4223 431 8300	1	Insert			
15	* 4223 400 1200	1	Flywheel		154117859	2.2002
16	* 4223 400 1300	1	Ignition module	17 - 19	154117859	2.2002
17	*	1	Ignition lead 370 mm (D)		154117859	2.2002
	* 0000 405 0600	1	Ignition lead 1 m (A,B)		154117859	2.2002
	* 0000 930 2251	1	Ignition lead 10 m (A,B)		154117859	2.2002
18	* 0000 989 1010	1	Grommet		154117859	2.2002
19	* 0000 448 1201	1	Lead retainer		154117859	2.2002
20	* 9022 341 1019	3	Spline screw IS-M5x20		154117859	2.2002
21	* 4223 440 1100	1	Short circuit wire 380 mm / 15"		154117859	2.2002
22	4223 084 1600	1	Cover			
23	1128 405 1000	1	Spark plug boot			
24	0000 998 0604	1	Torsion spring			
25	9022 341 1280	2	Spline screw IS-M6x16			
26	1125 790 9906	1	Annular buffer 1125/06			
27	1121 790 9912	1	Annular buffer			
28	1125 791 7306	1	Plug			

(1) TS 400

**Ignition system**

Reference	Item number	Qty	Description	Contains	Up to	Technical Information
29	1119 791 7306	1	Plug			
30	4223 080 3100	1	Fan cover	31		
31	9443 825 7130	4	Hollow rivet 7.5x1x6.8			
32	* 9416 868 6630	4	Hollow rivet 6.5x0.5x6.8			
33	9022 371 1020	4	Spline screw IS- M5x20			
34	* 9291 021 0120	3	Washer 5.3			



338ET028 GM

## Carburetor HS-274 (24.2003)

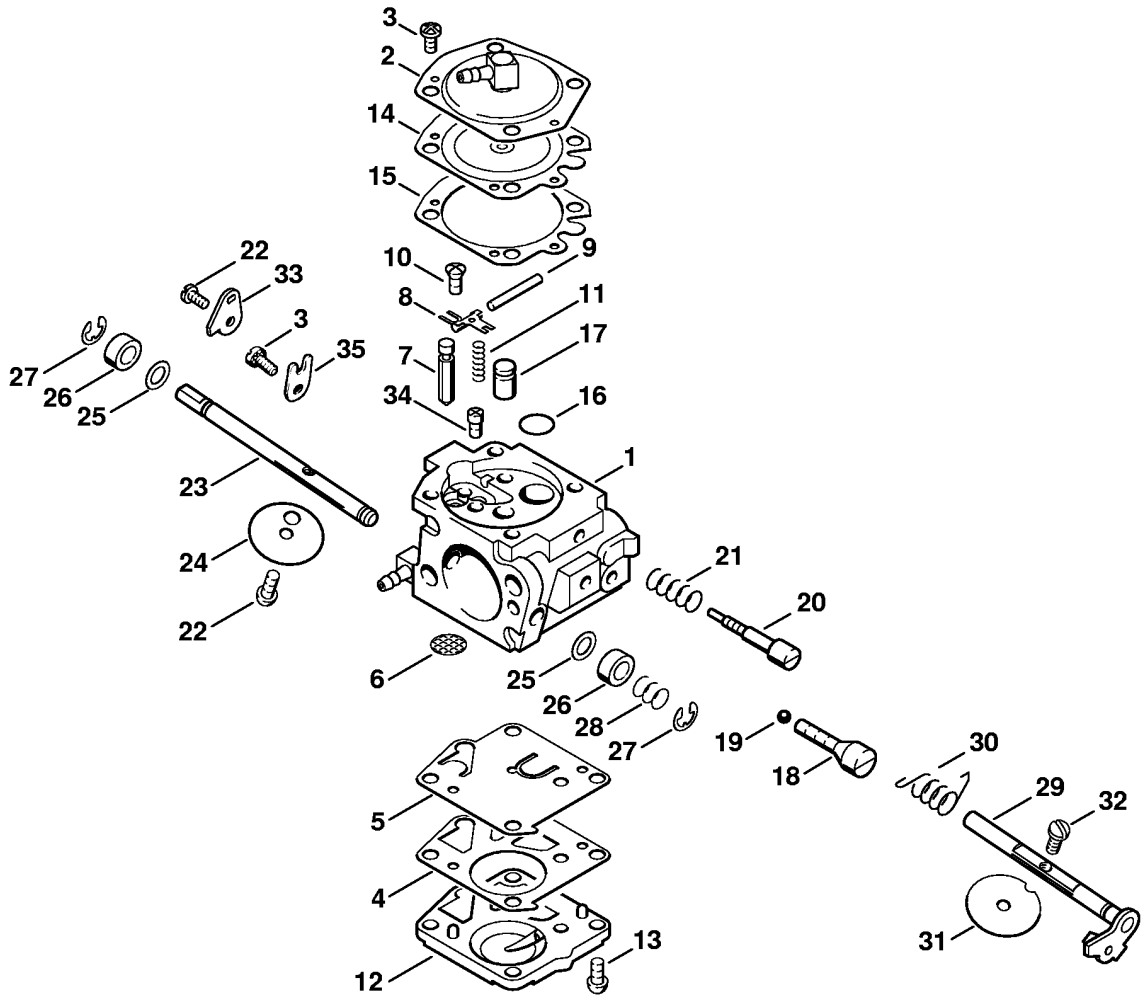
Reference	Item number	Qty	Description	Contains	Technical Information
1	* 4223 120 0600	1	Carburetor HS-274E	2 - 41	24.2003
2	* 4223 121 0800	1	End cover		24.2003
3	* 1106 122 7400	4	Round head screw		24.2003
4	* 1110 129 1110	1	Gasket		24.2003
5	* 1124 121 4800	1	Pump diaphragm		24.2003
6	* 4221 121 7800	1	Strainer		24.2003
7	* 4116 121 5100	1	Inlet needle		24.2003
8	* 1124 121 5000	1	Inlet control lever		24.2003
9	* 1110 121 9200	1	Spindle		24.2003
10	* 1110 122 7801	1	Oval head screw		24.2003
11	* 1124 122 3000	1	Spring		24.2003
12	* 1115 121 0800	1	End cover		24.2003
13	* 1110 122 7700	4	Oval head screw		24.2003
14	* 1110 121 4700	1	Metering diaphragm		24.2003
15	* 1110 129 0900	1	Gasket		24.2003
16	* 1110 122 9410	1	Plug		24.2003
17	* 4223 121 5400	1	Valve jet		24.2003
18	* 4221 122 6200	1	Idle speed screw		24.2003
19	* 4221 122 4200	1	Ball		24.2003
20	* 4221 122 6801	1	Low speed screw		24.2003
21	* 1110 122 3030	2	Spring		24.2003
22	* 4223 122 3600	2	Sealing ring		24.2003
23	* 4223 122 6700	1	High speed screw		24.2003
25	* 4221 122 7100	1	Screw		24.2003
27	* 4223 120 7200	1	Choke shaft		24.2003
28	* 4223 121 2900	1	Choke shutter		24.2003
29	* 1110 122 7400	1	Round head screw		24.2003
30	* 4221 122 3605	2	Sealing ring		24.2003
31	* 4221 121 9400	2	Ring		24.2003
32	* 1110 122 9005	2	E-clip		24.2003
33	* 4223 122 3000	1	Spring		24.2003
34	* 4223 120 7101	1	Throttle shaft with lever		24.2003
35	* 4223 122 3200	1	Torsion spring		24.2003
36	* 4221 121 8600	1	Washer		24.2003
37	* 1110 122 9005	1	E-clip		24.2003
38	* 4223 121 3300	1	Throttle shutter		24.2003
39	* 1110 122 7400	1	Round head screw		24.2003
40	* 4223 121 3500	1	Throttle lever		24.2003



## Carburetor HS-274 (24.2003)

Reference	Item number	Qty	Description	Contains	Technical Information
41	* 4205 121 5600	1	Fixed jet 0.64		24.2003
	* 1124 007 1060	1	Set of carburetor parts	4, 5, 14, 15	24.2003
	*	1	Carburetor HS-274C (D)	2 - 10, 12 - 16, 18, 19, 21 - 40, 50 - 53	4.1998
	*	1	Carburetor HS-274D (D)	2 - 40, 54	4.1998
50	* 1106 122 3005	1	Spring		4.1998
51	* 4221 121 5400	1	Valve jet		4.1998
52	* 4223 122 6800	1	Low speed screw		4.1998
53	* 4205 121 5600	1	Fixed jet 0.64		4.1998
54	* 4223 121 5600	1	Fixed jet 0.69		4.1998

**Carburetor WJ-108**

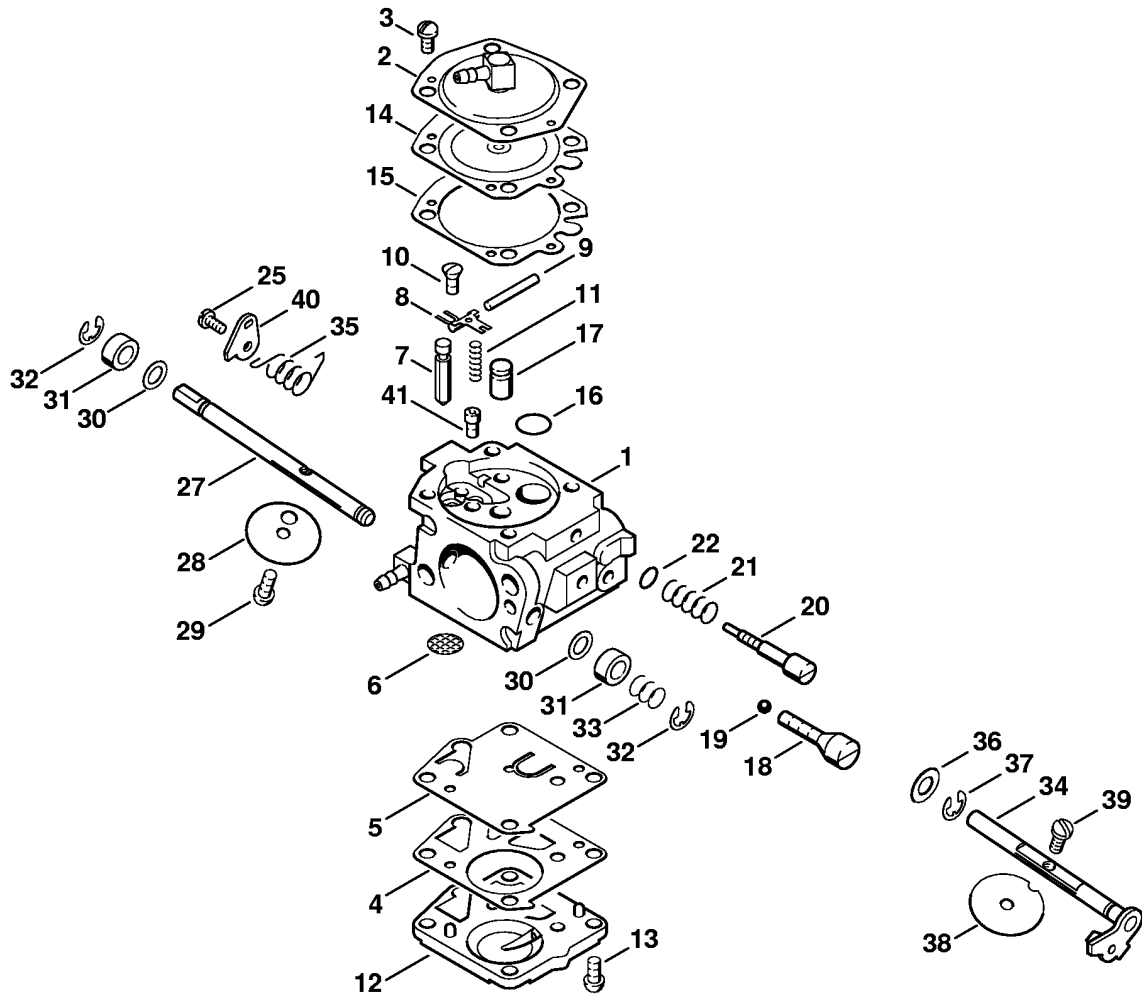


338ET049 SC

## Carburetor WJ-108

Reference	Item number	Qty	Description	Contains
1	4223 120 0652	1	Carburetor WJ-108A USA	2 - 35
1	4223 120 0653	1	Carburetor WJ-108A	2 - 35
2	4223 121 0801	1	End cover	
3	1106 122 7400	5	Round head screw	
4	1115 129 1100	1	Gasket	
5	1115 121 4800	1	Pump diaphragm	
6	1114 121 7800	1	Strainer	
7	1110 121 5100	1	Inlet needle	
8	1117 121 5000	1	Inlet control lever	
9	1117 121 9200	1	Spindle	
10	1114 122 7400	1	Round head screw	
11	1117 122 3005	1	Spring	
12	1115 120 0800	1	End cover	
13	1115 122 7100	4	Round head screw	
14	1117 121 4700	1	Metering diaphragm	
15	1116 129 0900	1	Gasket	
16	1122 121 0700	1	Cup plug	
17	4223 121 5401	1	Valve jet	
18	4223 122 6200	1	Idle speed screw	
19	1122 121 7700	1	Clamp	
20	4223 122 6802	1	Low speed screw	
21	1128 122 3003	1	Spring	
22	1121 122 7102	2	Round head screw	
23	4223 120 7201	1	Choke shaft	
24	4223 121 2901	1	Choke shutter	
25	4223 122 3601	2	Sealing ring	
26	4223 121 9400	2	Ring	
27	1117 122 9000	2	E-clip	
28	4223 122 3001	1	Spring	
29	4223 120 7102	1	Throttle shaft with lever	
30	1122 122 3200	1	Torsion spring	
31	1115 121 3301	1	Throttle shutter	
32	1115 122 7400	1	Round head screw	
33	4223 121 3501	1	Throttle lever	
34	1122 121 5607	1	Fixed jet 0.74	
35	1110 122 9300	1	Clip	
	1122 007 1060	1	Set of carburetor parts	4, 5, 14, 15

**Carburetor HS-279**



338ET026 GM

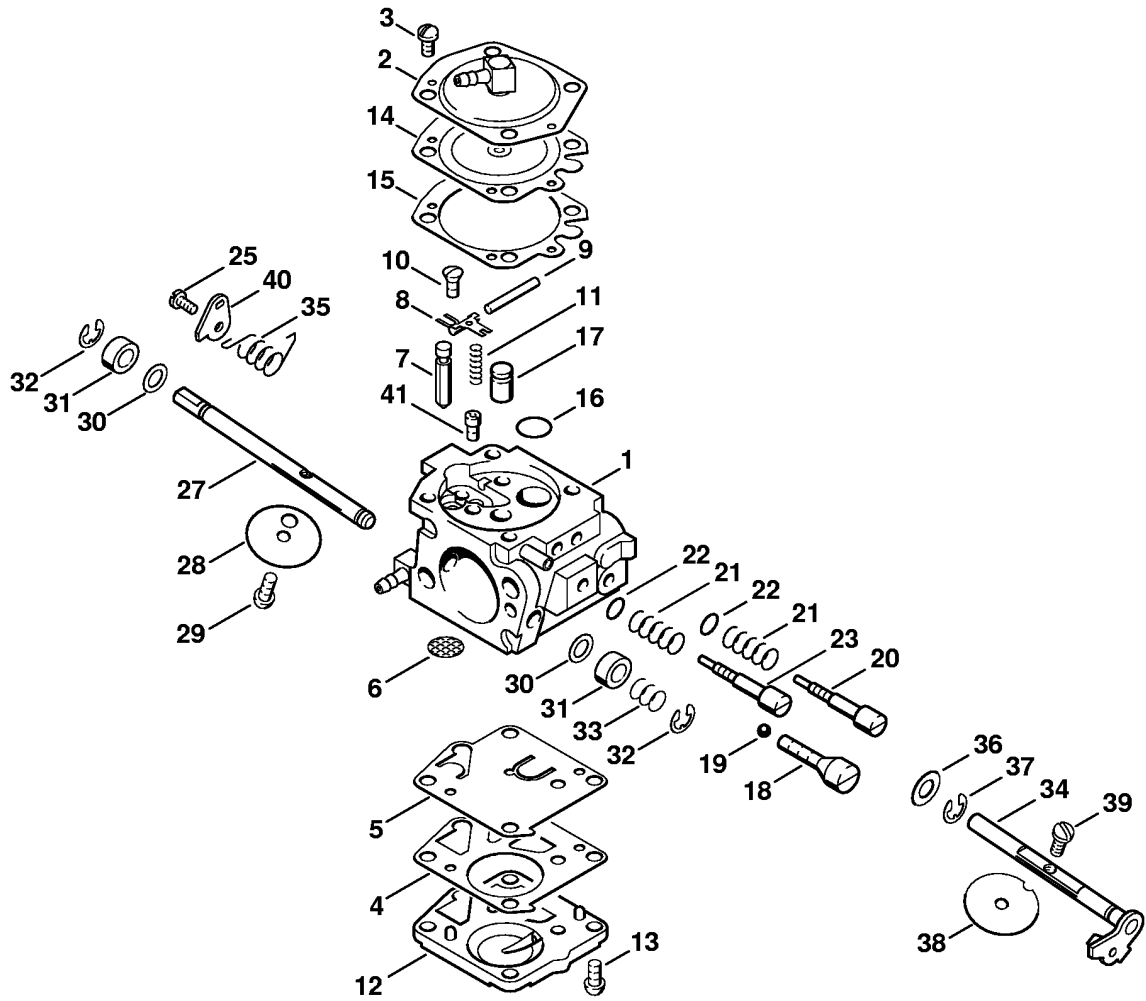
## Carburetor HS-279

Reference	Item number	Qty	Description	Contains	Technical Information
1	* 4223 120 0650	1	Carburetor HS-279D USA	2 - 41	31.2006
1	* 4223 120 0651	1	Carburetor HS-279D	2 - 41	31.2006
2	* 4223 121 0800	1	End cover		31.2006
3	* 1110 122 7700	4	Oval head screw		31.2006
4	* 1110 129 1110	1	Gasket		31.2006
5	* 1124 121 4800	1	Pump diaphragm		31.2006
6	* 4221 121 7800	1	Strainer		31.2006
7	* 4116 121 5100	1	Inlet needle		31.2006
8	* 1124 121 5000	1	Inlet control lever		31.2006
9	* 1110 121 9200	1	Spindle		31.2006
10	* 1110 122 7801	1	Oval head screw		31.2006
11	* 1124 122 3000	1	Spring		31.2006
12	* 1115 121 0800	1	End cover		31.2006
13	* 1106 122 7400	4	Round head screw		31.2006
14	* 1110 121 4700	1	Metering diaphragm		31.2006
15	* 1110 129 0900	1	Gasket		31.2006
16	* 1110 122 9410	1	Plug		31.2006
17	* 4223 121 5400	1	Valve jet		31.2006
18	* 4221 122 6200	1	Idle speed screw		31.2006
19	* 4221 122 4200	1	Ball		31.2006
20	* 4221 122 6801	1	Low speed screw		31.2006
21	* 1110 122 3030	1	Spring		31.2006
22	* 4223 122 3600	2	Sealing ring		31.2006
25	* 4221 122 7100	1	Screw		31.2006
27	* 4223 120 7200	1	Choke shaft		31.2006
28	* 4223 121 2900	1	Choke shutter		31.2006
29	* 1110 122 7400	1	Round head screw		31.2006
30	* 4221 122 3605	2	Sealing ring		31.2006
31	* 4221 121 9400	2	Ring		31.2006
32	* 1110 122 9005	2	E-clip		31.2006
33	* 4223 122 3000	1	Spring		31.2006
34	* 4223 120 7101	1	Throttle shaft with lever		31.2006
35	* 4223 122 3200	1	Torsion spring		31.2006
36	* 4221 121 8600	1	Washer		31.2006
37	* 1110 122 9005	1	E-clip		31.2006
38	* 4223 121 3300	1	Throttle shutter		31.2006
39	* 1110 122 7400	1	Round head screw		31.2006
40	* 4223 121 3500	1	Throttle lever		31.2006

(1) TS 400

**Carburetor HS-279**

Reference	Item number	Qty	Description	Contains	Technical Information
41	* 4223 121 5603	1	Fixed jet 0.75		31.2006
	* 1124 007 1060	1	Set of carburetor parts	4, 5, 14, 15	31.2006



338ET 035 GM

## Carburetor HS-301 Japan

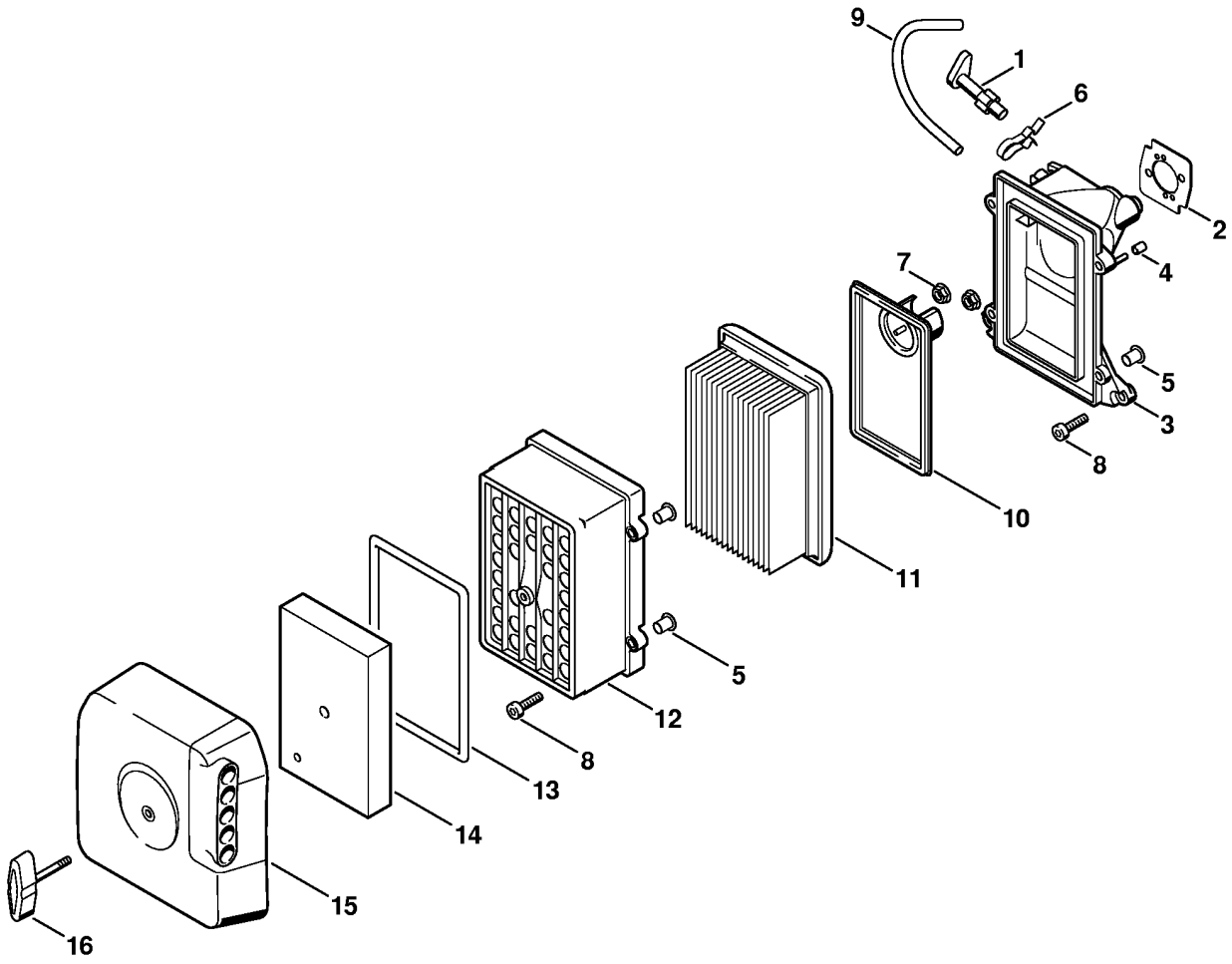
Reference	Item number	Qty	Description	Contains
1	4223 120 0602	1	Carburetor HS-301B J	2 - 41
2	4223 121 0800	1	End cover	
3	1106 122 7400	4	Round head screw	
4	1110 129 1110	1	Gasket	
5	1124 121 4800	1	Pump diaphragm	
6	4221 121 7800	1	Strainer	
7	4116 121 5100	1	Inlet needle	
8	1124 121 5000	1	Inlet control lever	
9	1110 121 9200	1	Spindle	
10	1110 122 7801	1	Oval head screw	
11	1124 122 3000	1	Spring	
12	1115 121 0800	1	End cover	
13	1110 122 7700	4	Oval head screw	
14	1110 121 4700	1	Metering diaphragm	
15	1110 129 0900	1	Gasket	
16	1113 122 9400	1	Plug	
17	4223 121 5400	1	Valve jet	
18	4221 122 6200	1	Idle speed screw	
19	4221 122 4200	1	Ball	
20	4223 122 6801	1	Low speed screw	
21	1110 122 3030	2	Spring	
22	4223 122 3600	2	Sealing ring	
23	4223 122 6700	1	High speed screw	
25	4221 122 7100	1	Screw	
27	4223 120 7200	1	Choke shaft	
28	4223 121 2900	1	Choke shutter	
29	1110 122 7400	1	Round head screw	
30	4221 122 3605	2	Sealing ring	
31	4221 121 9400	2	Ring	
32	1110 122 9005	2	E-clip	
33	4223 122 3000	1	Spring	
34	4223 120 7101	1	Throttle shaft with lever	
35	4223 122 3200	1	Torsion spring	
36	4221 121 8600	1	Washer	
37	1110 122 9005	1	E-clip	
38	4223 121 3300	1	Throttle shutter	
39	1110 122 7400	1	Round head screw	
40	4223 121 3500	1	Throttle lever	



**Carburetor HS-301 Japan**

Reference	Item number	Qty	Description	Contains
41	4223 121 5604	1	Fixed jet 0.72	
	1124 007 1060	1	Set of carburetor parts	4, 5, 14, 15

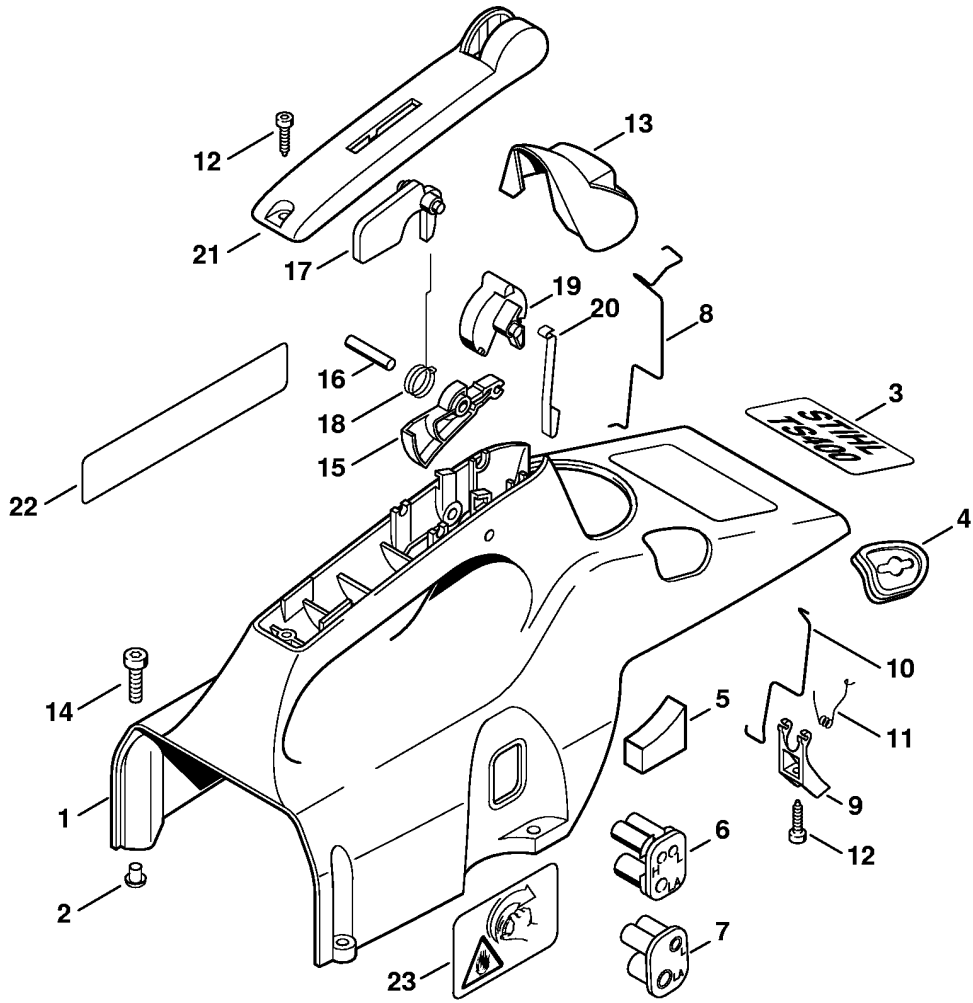
**Air filter**



338ET014.GM

## Air filter

Reference	Item number	Qty	Description	Contains
1	4223 121 6101	1	Choke lever	
2	4221 129 0903	1	Gasket	
3	4223 120 3402	1	Filter base	5
4	4223 124 4000	1	Cap	
5	9416 868 6630	6	Hollow rivet 6.5x0.5x6.8	
6	4223 121 2400	1	Flat spring	
7	9220 260 0700	2	Hexagon nut M5	
8	9022 371 1020	6	Spline screw IS-M5x20	
9		1	Hose 3.1x5.7x94 mm, R3 (D)	
	0000 930 2803	1	Hose 3.1x5.7 mm x 1 m, R3 (A,B)	
	0712 923 8004	1	Hose 3.1x5.7 mm x 10 m, R3 (A,B)	
	4223 007 1010	1	Air filter kit (B) USA	10, 11, 13, 14
10	4223 140 1800	1	Auxiliary filter	
11	4223 141 0300	1	Air filter	
12	4223 140 2800	1	Filter housing	5, 13
13	4223 149 0500	1	Gasket	
14	4223 141 0600	1	Prefilter	
15	4223 141 0500	1	Filter cover	
16	4223 140 9300	1	Twist lock	
	4223 007 1050	1	Set of gaskets	2, 13

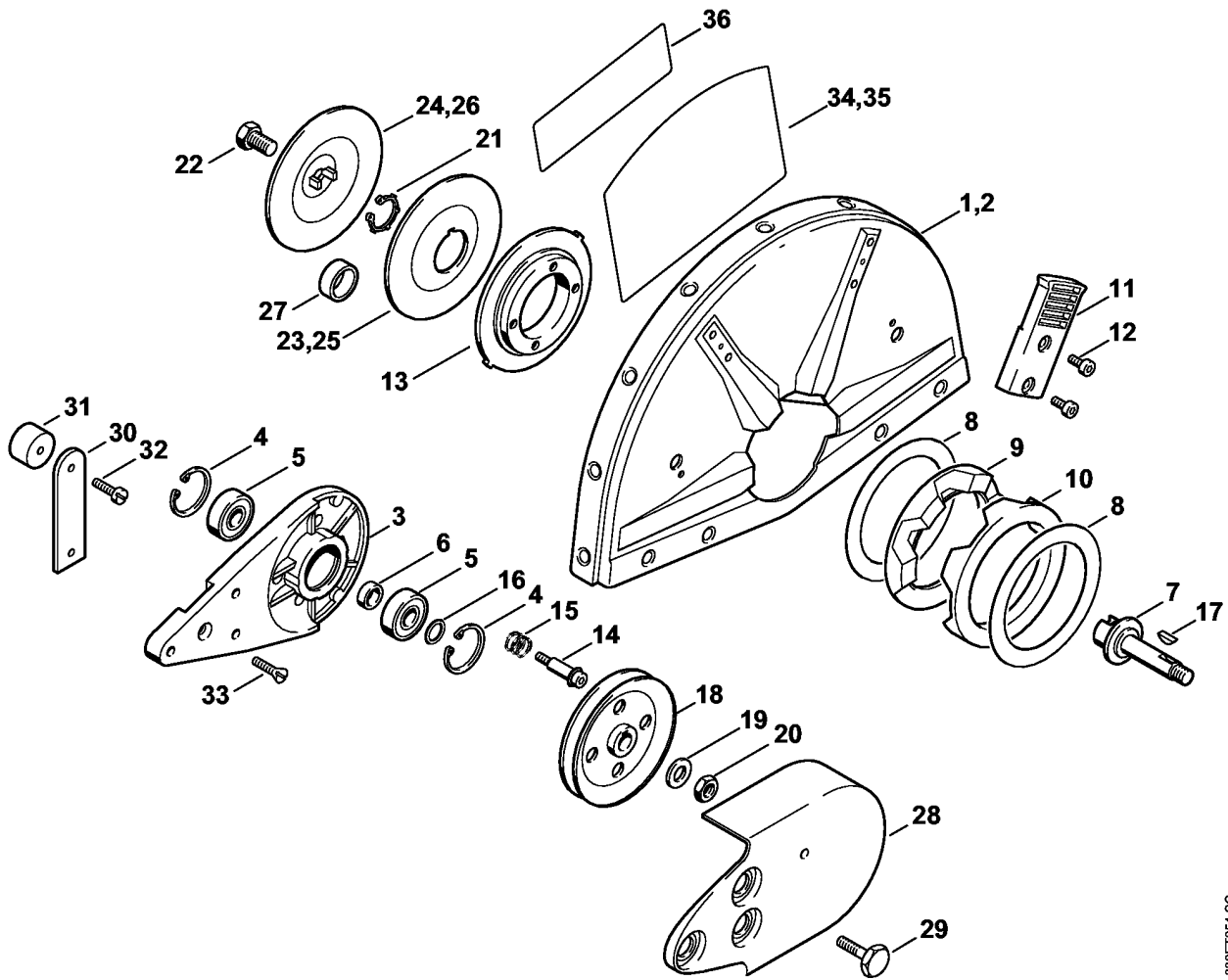


338ET051 SC

## Shroud

Reference	Item number	Qty	Description	Contains	Technical Information
	4223 080 1605	1	Shroud	1 - 5, 9 - 13, 15 - 22	
1	4223 080 1604	1	Shroud	2 - 5, 22	
2	9416 868 6630	4	Hollow rivet 6.5x0.5x6.8		
3	4223 967 1500	1	Model plate TS 400		
4	4223 084 7400	1	Grommet		
5	4223 431 8300	1	Insert		
6	* 4223 123 7500	1	Grommet		24.2003
7	4223 123 7501	1	Grommet		
8	4223 182 1500	1	Throttle rod		
9	4223 435 6000	1	Support		
10	4223 435 1100	1	Shutdown rod		
11	4223 435 2100	1	Torsion spring		
12	9075 478 3015	2	Pan head self-tapping screw IS-D4x15		
13	4223 084 7100	1	Cap		
14	9022 371 1020	4	Spline screw IS-M5x20		
15	4223 182 1000	1	Throttle trigger		
16	9371 470 2640	1	Cylindrical pin 5x24		
17	4223 182 0800	1	Lockout lever		
18	1117 182 4500	1	Torsion spring		
19	4223 182 0900	1	Switch shaft		
20	4223 182 4700	1	Flat spring		
21	4223 791 0600	1	Handle molding		
22	0000 967 3702	1	Warning pictogram TS		
23	0000 967 3693	1	Warning pictogram Filler cap USA		

**Support with guard**



338ET054-SC

## Support with guard

Reference	Item number	Qty	Description	Contains
	4223 007 1005	1	Support with guard Ø 300 mm / 12"	1, 3 - 24
	4223 007 1008	1	Support with guard Ø 300 mm / 12" with water attachment, USA	1, 3 - 24, 30 - 34
	4223 007 1016	1	Support with guard Ø 300 mm / 12" (C) with water attachment, CDN	1, 3 - 24, 30 - 33, 36
	4223 007 1007	1	Support with guard Ø 300 mm / 12" with water attachment	1, 3 - 24
	4221 007 1005	1	Support with guard Ø 350 mm / 14"	2 - 24
	4221 007 1009	1	Support with guard Ø 350 mm / 14" with water attachment, USA	2 - 24, 30 - 33, 35
	4221 007 1014	1	Support with guard Ø 350 mm / 14" (C) with water attachment, CDN	2 - 24, 30 - 33, 36
	4221 007 1008	1	Support with guard Ø 350 mm / 14" with water attachment	2 - 24
	4221 007 1013	1	Support with guard Ø 350 mm / 14" with water attachment, J, AUS	2 - 22, 25, 26
1	4238 700 8110	1	Guard Ø 300 mm / 12"	
2	4224 700 8103	1	Guard Ø 350 mm / 14"	
3	4205 791 3902	1	Support	
4	9456 621 3600	2	Circlip 32x1.2	
5	9503 003 6440	2	Grooved ball bearing 6201-2RS	
6	0000 961 1206	1	Ring	
7	4201 704 0504	1	Shaft	
8	4201 706 9202	2	Washer	
9	4221 706 8800	1	Rubber ring	
10	4221 706 8801	1	Rubber ring	
11	4223 700 2900	1	Adjusting lever	
12	9022 341 0960	4	Spline screw IS-M5x12	
13	4205 706 2903	1	Flange	
14	4223 710 9500	1	Adjusting screw (quantity as required)	15
15	0000 997 1303	1	Compression spring (quantity as required)	
16	0000 958 1212	1	Washer	
17	4223 036 8600	1	Woodruff key	
18	4201 700 2504	1	V-belt pulley	
19	9291 021 0200	1	Washer 10.5	
20	9211 260 1350	1	Hexagon nut M10x1 l/h thread	
21	9450 721 2150	1	E-clip 20x1.2	
22	4201 708 8402	1	Hexagon head screw M10x18	
23	4201 708 3004	1	Thrust washer Ø 103 mm	
24	4201 708 3014	1	Thrust washer Ø 103 mm	
25	4205 708 3000	1	Thrust washer Ø 118 mm J	

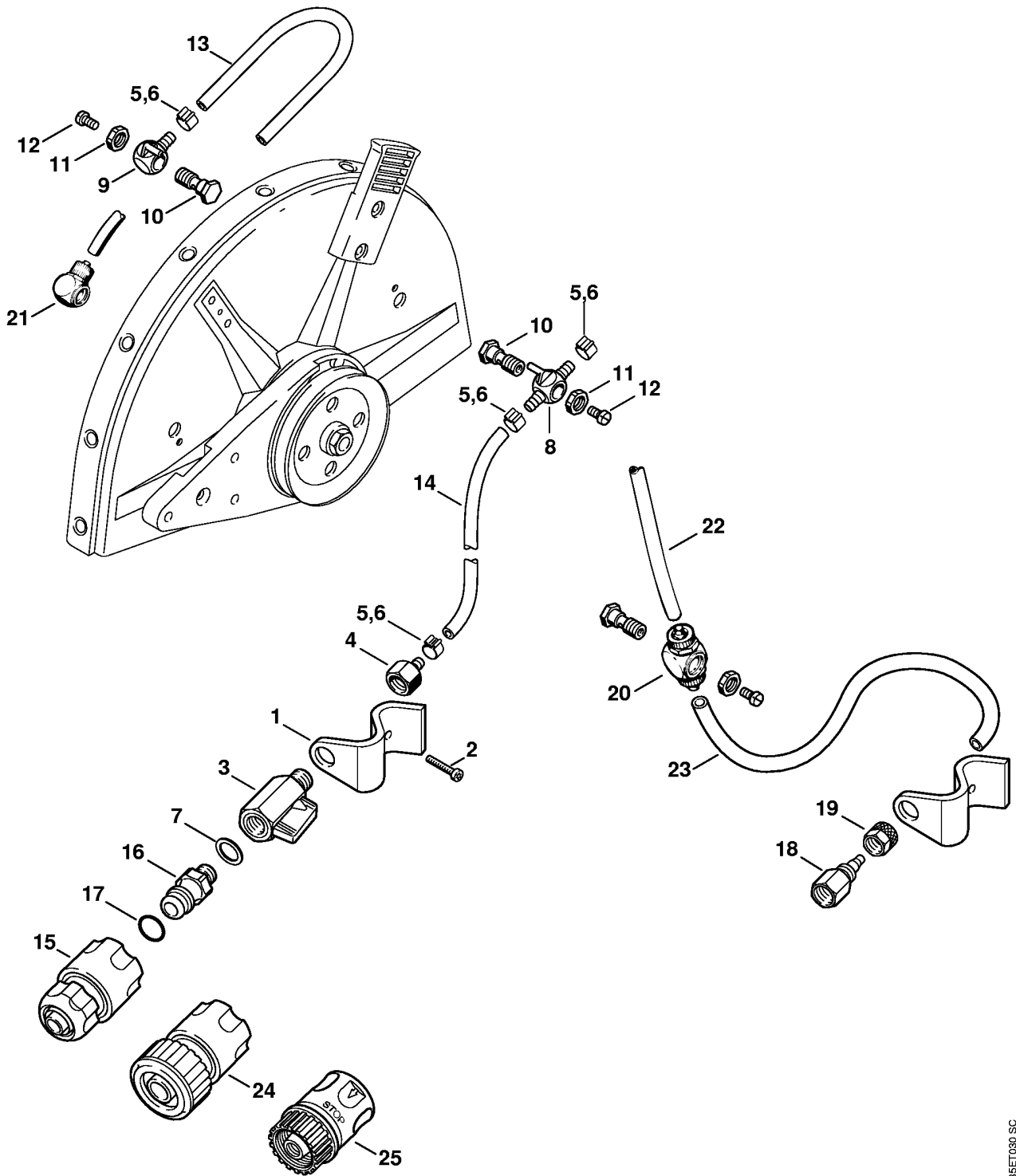
(1) TS 400

**Support with guard**

Reference	Item number	Qty	Description	Contains
26	4205 708 3010	1	Thrust washer Ø 118 mm J	
27	0000 708 4200	1	Shaft sleeve (B)	
28	4223 700 8100	1	Guard	
29	4201 708 8401	3	Hexagon head screw M8x42	
30	4201 790 6005	1	Limit stop USA, CDN	
31	4201 790 9302	1	Rubber buffer USA, CDN	
32	9041 216 1230	1	Pan head screw M6x8 USA, CDN	
33	9062 319 1260	1	Countersunk screw M6x12 USA, CDN	
34	0000 967 3577	1	Instruction label USA	
35	0000 967 3578	1	Instruction label USA	
36	0000 967 3903	1	Instruction label CDN	



**Water attachment**

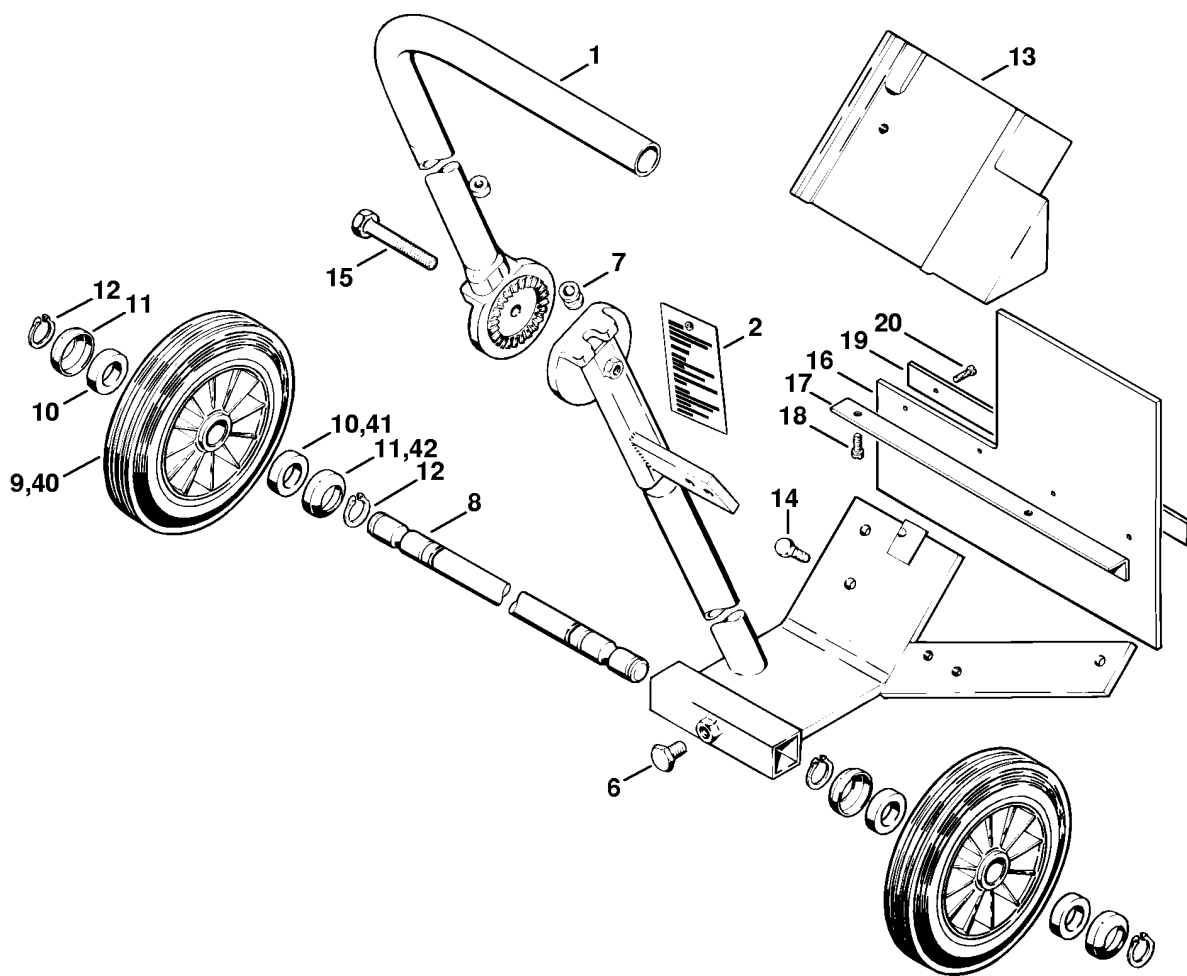


335ET030 SC

(1) TS 400

## Water attachment

Reference	Item number	Qty	Description	Contains
	4201 007 1014	1	Water attachment kit (B)	1 - 5, 7 - 17
1	4201 700 6802	1	Bracket (B)	
2	9022 341 0960	1	Spline screw IS-M5x12 (B)	
3	4201 700 4500	1	Shut-off cock 1/4" (B)	
4	4238 677 8200	1	Connector (B)	
5	9771 021 0921	4	Hose clip 10/7 (B)	
6	* 9771 021 0920	4	Hose clip 9.5/7 (B)	
7	0000 954 1701	1	Sealing ring (B)	
8	4224 677 8201	1	Connector (B)	
9	4224 677 8202	1	Connector (B)	
10	4201 708 8400	2	Banjo bolt (B)	
11	9211 021 8900	2	Hexagon nut G 1/8" (B)	
12	9041 216 0950	2	Pan head screw M5x10 (B)	
13		1	Hose 5.6x1.9x155 mm / 6 1/8" (B,D) for Ø 300 mm / 12" guard	
13		1	Hose 5.6x1.9x220 mm / 8 11/16" (B,D) for Ø 350 mm / 14" guard	
14		1	Hose 5.6x1.9x356 mm / 14" (B,D)	
	0000 937 4049	1	Hose 5.6x1.9 mm x 1 m (A,B)	
15	4201 670 1700	1	Coupling sleeve 1/2" (B)	
16	4201 700 7300	1	Hose connector (B)	17
17	9645 945 7506	1	O-ring 10x3 (B)	
18	* 4201 708 8600	1	Nut (B)	
19	* 4201 708 3100	1	Union nut (B)	
20	* 4201 677 1007	1	Union (B)	
21	* 4201 677 1008	1	Elbow union 1/8" (B)	
22	* 4201 678 1111	1	Hose 195 mm / 7 1/2" (B)	
23	* 0000 989 5215	1	Hose 340 mm / 13 7/16" (B)	
24	4201 670 1705	1	Coupling sleeve 3/4" (B)	
25	4201 670 1701	1	Coupling sleeve 3/4" (B) USA	

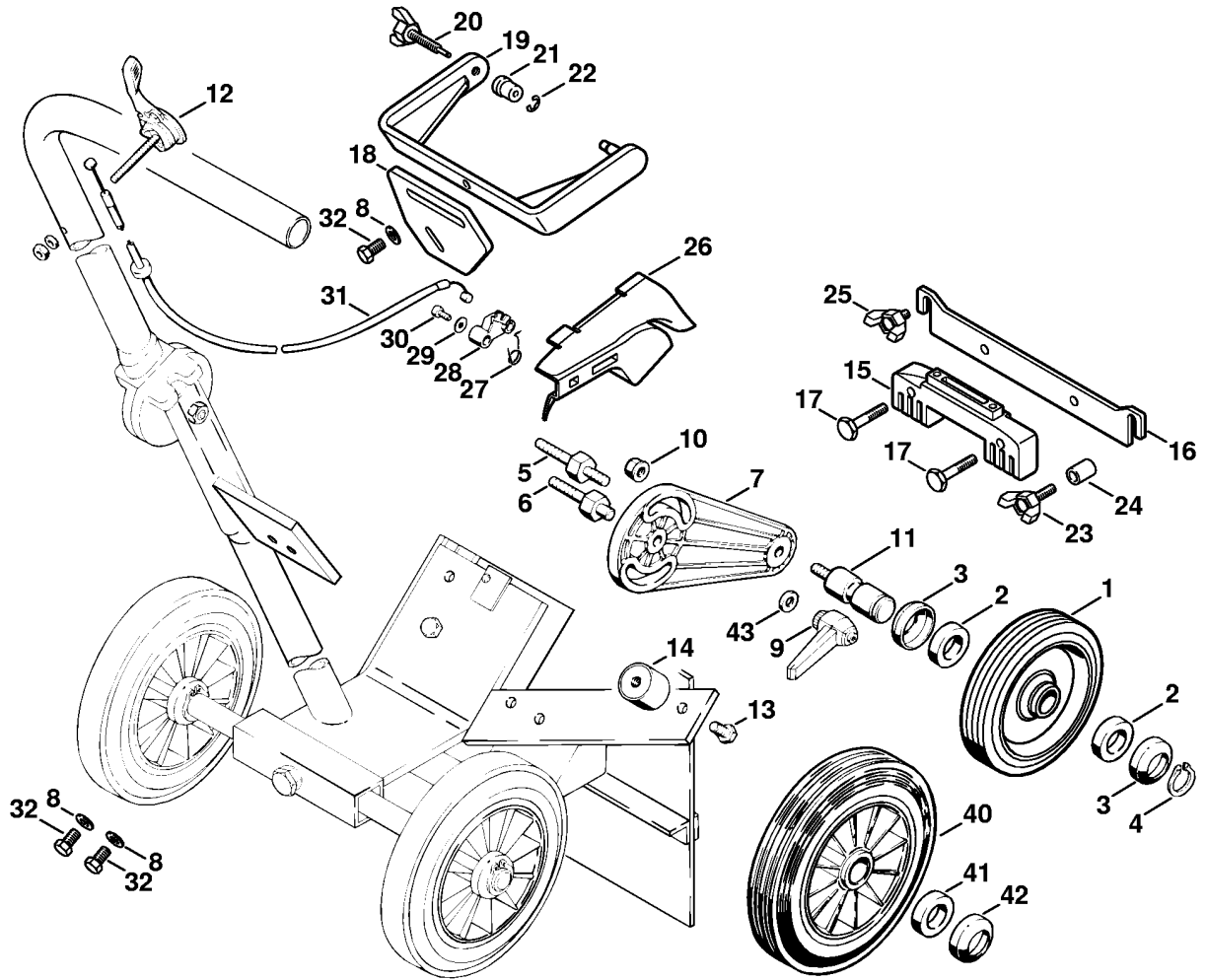


338ET029 GM

## Cutquik cart

Reference	Item number	Qty	Description	Contains	Technical Information
	4201 710 1403	1	Cutquik cart (B)	1 - 20	
1	4201 790 2300	1	Guide tube (B)		
2	4201 967 4200	1	Tag (B)		
6	4201 708 8402	1	Hexagon head screw M10x18 (B)		
7	4201 791 9500	1	Rubber bushing (B)		
8	4201 711 0903	1	Axle (B)		
9	4201 790 5700	2	Wheel (B)	10, 11	
10	0000 988 1900	2	Felt ring (B)		
11	4201 791 9200	2	Cap (B)		
12	9455 621 2150	4	Circlip 20x1.2 (B)		
13	4201 790 6300	1	Counterweight (B)		
14	9008 319 1830	1	Hexagon head screw M8x25 (B)		
15	4201 708 8405	1	Hexagon head screw M10x70 (B)		
	4201 007 1033	1	Splash guard mounting kit (B)	16 - 20	
16	4201 792 9100	1	Guard (B)		
17	4201 792 6000	1	Bracket (B)		
18	9079 319 0960	2	Flat head screw M5x12 (B)		
19	4201 792 9501	1	Strap (B)		
20	9039 488 0680	4	Self-tapping screw M4x16 (B)		
40	* 4201 710 3000	2	Wheel (B)	41, 42	38.1995
41	* 0000 988 1900	4	Felt ring (B)		38.1995
42	* 4201 717 2001	4	Cap (B)		38.1995

**Mounting kit - Cutquik cart**



338ET030 GM

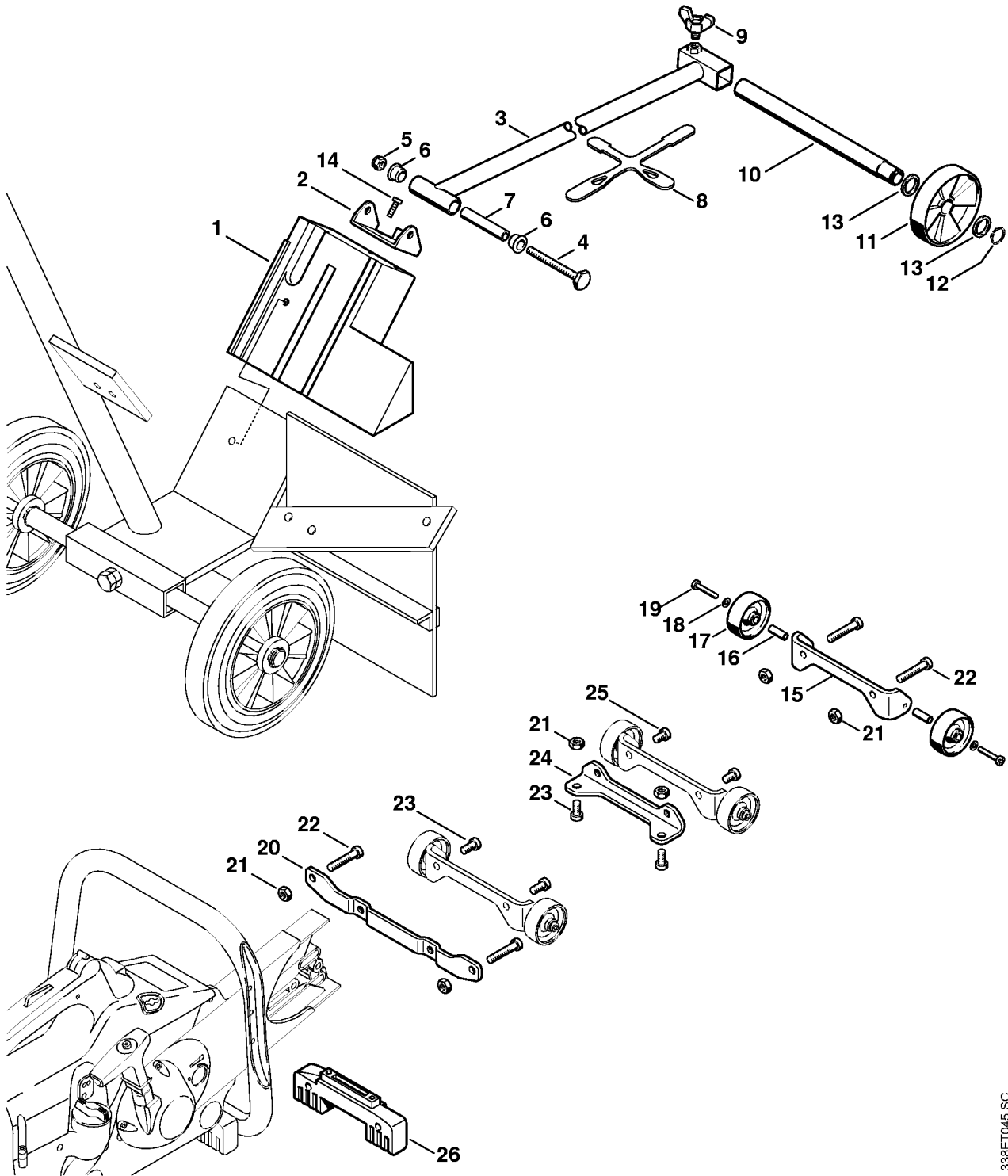
## Mounting kit - Cutquik cart

Reference	Item number	Qty	Description	Contains	Technical Information
	4201 007 1041	1	Depth wheel kit (B)	1 - 7, 9 - 11	
1	4201 712 1005	1	Wheel Ø 142 mm (B)		
2	0000 988 1900	2	Felt ring (B)		
3	4201 717 2001	2	Cap (B)		
4	9455 621 2150	1	Circlip 20x1.2 (B)		
5	4201 711 8500	1	Stud (B)		
6	4201 711 8501	1	Stud (B)		
7	4201 711 0700	1	Swivel arm (B)		
8	9291 021 0180	3	Washer 8.4 (B)		
9	9582 003 0471	1	Clamp lever M8 (B)		
10	9220 260 1100	1	Hexagon nut M8 (B)		
11	4201 711 0901	1	Axle (B)		
	4223 007 1000	1	Mounting kit Cutquik cart (B)	8, 12 - 32	
12	4201 180 0700	1	Control lever (B)		
13	9008 319 1780	2	Hexagon head screw M8x16 (B)		
14	4201 790 9300	2	Rubber insert (B)		
15	4223 791 7605	1	Support (B)		
16	4223 792 9500	1	Strap (B)		
17	4201 708 8401	2	Hexagon head screw M8x42 (B)		
18	4223 716 3400	1	Plate (B)		
19	4223 710 6605	1	Bow (B)		
20	4223 710 9300	1	Wing screw (B)		
21	4223 716 1500	1	Sleeve (B)		
22	9460 624 0320	1	E-clip 3.2 (B)		
23	4223 710 9310	1	Wing screw (B)		
24	4223 716 2800	1	Spacer sleeve (B)		
25	4223 710 9305	1	Wing screw (B)		
	4223 180 1800	1	Throttle control (B)	26 - 31	
26	4223 182 4000	1	Support (B)		
27	4221 182 4501	1	Torsion spring (B)		
28	4221 182 2800	1	Lever (B)		
29	9307 021 0100	1	Washer 4.3 (B)		
30	9075 478 2995	1	Pan head self-tapping screw IS-D4x12 (B)		
31	4221 180 1101	1	Throttle cable (B)		
32	9008 319 1800	3	Hexagon head screw M8x20 (B)		

**Mounting kit - Cutquik cart**

Reference		Item number	Qty	Description	Contains	Technical Information
40	*	4201 710 3000	1	Wheel (B)	41, 42	38.1995
41	*	0000 988 1900	2	Felt ring (B)		38.1995
42	*	4201 717 2001	2	Cap (B)		38.1995
43	*	9291 021 0180	1	Washer 8.4 (B)		38.1995

**Guide wheel kit, Wheel kit**

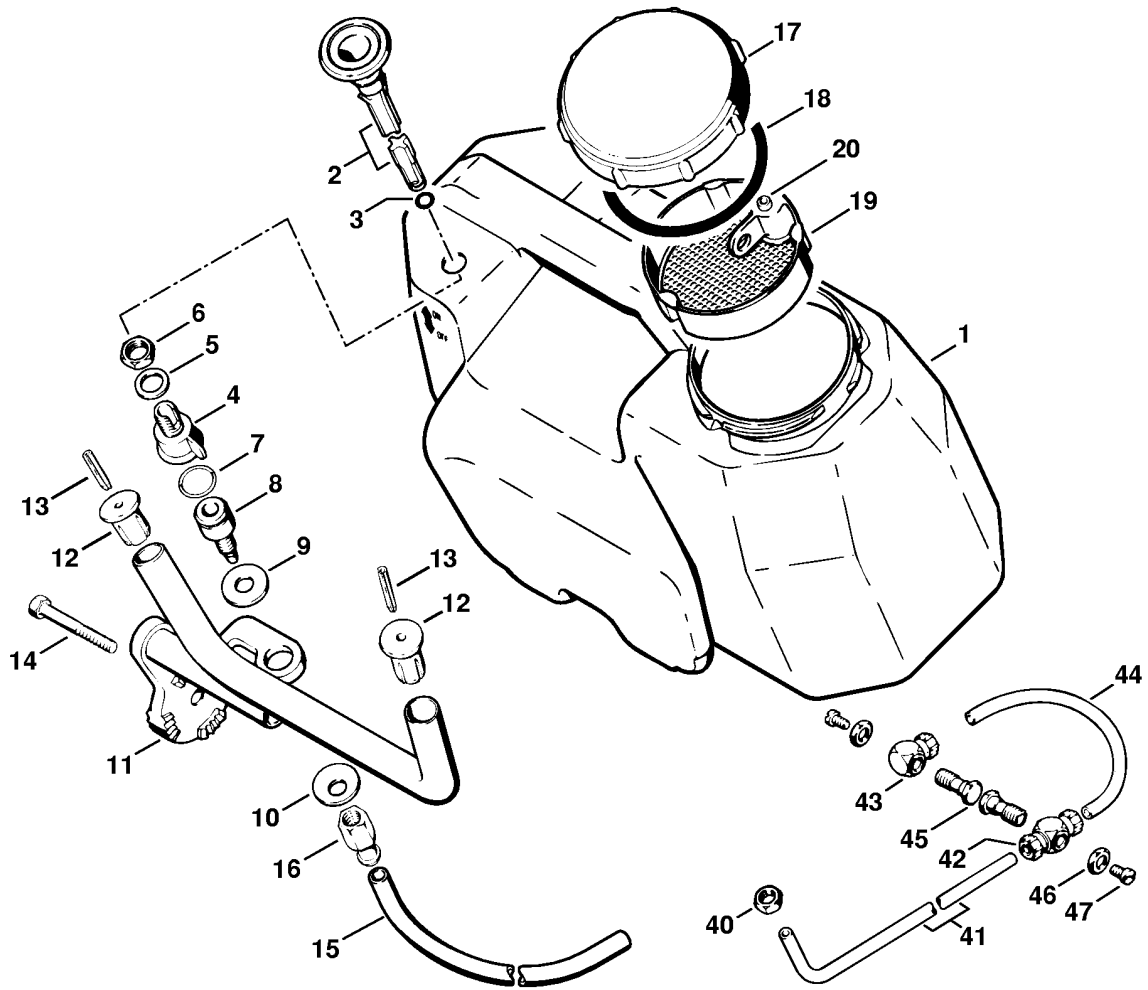


338ET045 SC



## Guide wheel kit, Wheel kit

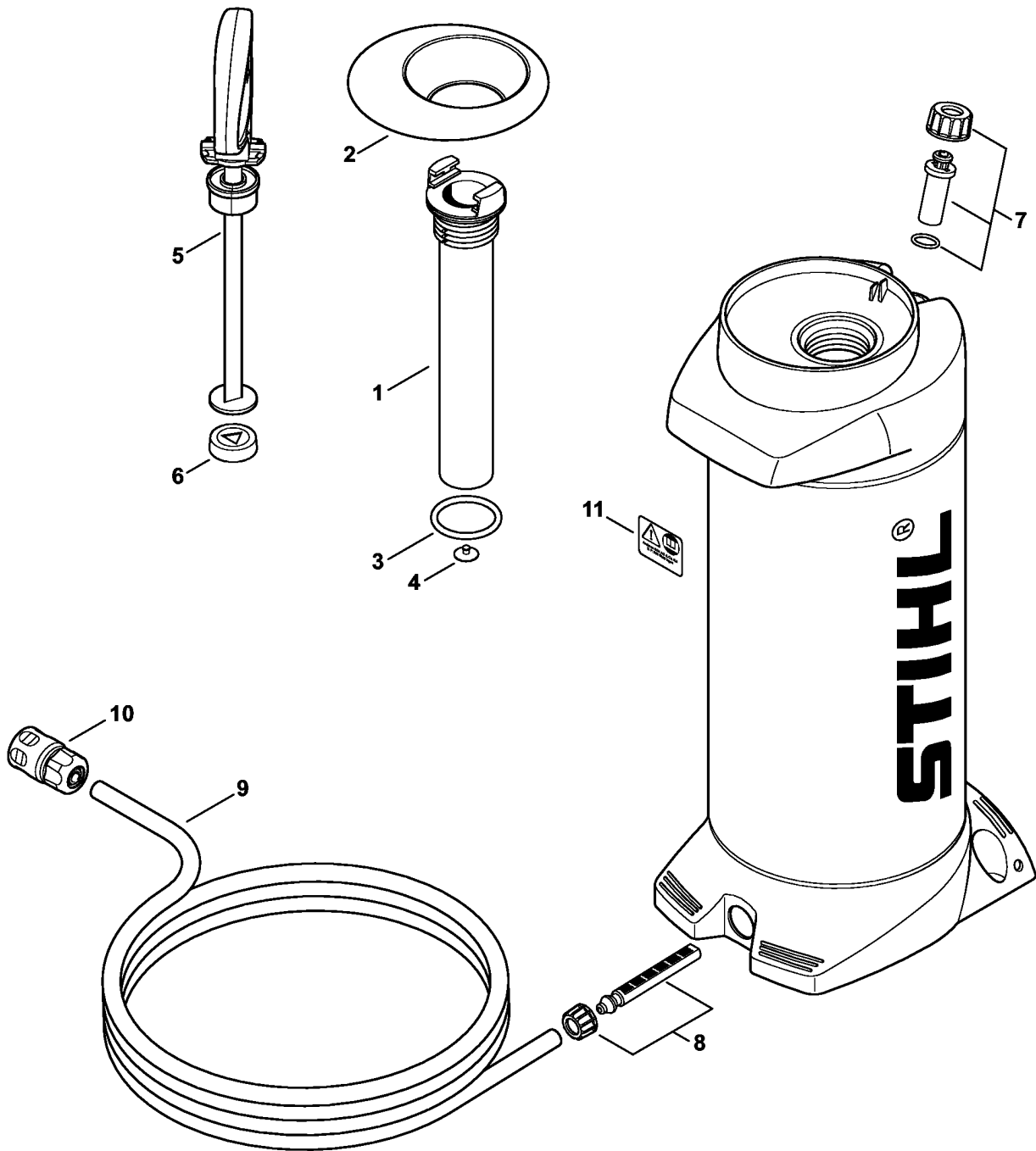
Reference	Item number	Qty	Description	Contains
1	4201 790 6300	1	Counterweight (B)	14
	4205 007 1009	1	Guide wheel kit (B)	2 - 14
2	4205 791 5400	1	Support (B)	
3	4201 790 2100	1	Frame (B)	
4	9007 319 2020	1	Hexagon head screw M8x85 (B)	
5	9212 260 1100	1	Hexagon nut M8 (B)	
6	4205 791 7200	2	Sleeve (B)	
7	4205 791 2701	1	Tube (B)	
8	0000 792 4200	1	Retaining strap (B)	
9	4205 710 9300	1	Wing screw (B)	
10	4201 711 0904	1	Axle (B)	
11	4137 712 1001	1	Wheel (B)	
12	9455 621 1920	1	Circlip 18x1.2 (B)	
13	4205 791 8400	2	Ring (B)	
14	9008 319 1800	2	Hexagon head screw M8x20 (B)	
	4223 007 1014	1	Wheel mounting kit (B)	15 - 24
15		1	Carrier TS 400 (B,D)	
16	4223 791 7200	2	Sleeve (B)	
17	4223 791 3600	2	Wheel (B)	
18	9307 021 0120	2	Washer 5.3 (B)	
19	9022 341 1070	2	Spline screw IS-M5x30 (B)	
20		1	Carrier TS 460 (B,D)	
21	9210 260 1100	2	Hexagon nut M8 (B)	
22	9037 319 1900	2	Socket head screw M8x40 (B)	
23	9037 319 1780	2	Socket head screw M8x16 (B)	
24		1	Carrier TS 510/760 (B,D)	
25	9037 319 1750	2	Socket head screw M8x12 (B)	
26	4223 791 7605	1	Support (B)	



338ET031 GM

## Water tank

Reference	Item number	Qty	Description	Contains	Technical Information
	4201 007 1048	1	Water tank mounting kit (B)	1 - 20	
1	4201 701 0800	1	Water tank (B)		
2	4201 700 6250	1	Valve (B)	3 - 5	
3	9645 948 0340	1	O-ring 6x1.5 (B)		
4		1	Valve (B,D)		
5	9636 965 1960	1	Sealing ring 18x24 (B)		
6	9208 260 1660	1	Hexagon nut M16 (B)		
7	9645 945 1390	1	O-ring 14x2.5 (B)		
8	4201 708 9600	1	Connector (B)		
9	9307 021 0200	1	Washer 10.5 (B)		
10	9486 648 1195	1	Cup spring 23x10.2x1.25 (B)		
11	4201 700 7400	1	Bracket (B)	12, 13	
12	4201 703 2800	2	Plug (B)		
13	9380 620 2700	2	Roll pin 5x30 (B)		
14	4201 708 8405	1	Hexagon head screw M10x70 (B)		
15	4201 678 1114	1	Hose 545 mm / 21 1/2" (B)		
16	4201 677 7400	1	Hose connector (B)		
17	4202 701 0900	1	Container cap (B)		
18	4202 709 2000	1	Sealing ring (B)		
19	4202 700 8805	1	Strainer (B)	20	
20		1	Plug (B,C)		
40	* 9210 260 1300	1	Hexagon nut M10 (B)		38.1995
41	* 4201 678 1107	1	Hose 835 mm / 32 7/8" (B)		38.1995
42	* 4201 677 1007	1	Union (B)		38.1995
43	* 4201 677 1008	1	Elbow union 1/8" (B)		38.1995
44	* 4201 678 1111	1	Hose 195 mm / 7 1/2" (B)		38.1995
45	* 4201 708 8400	2	Banjo bolt (B)		38.1995
46	* 9211 021 8900	2	Hexagon nut G 1/8" (B)		38.1995
47	* 9041 216 0950	2	Pan head screw M5x10 (B)		38.1995

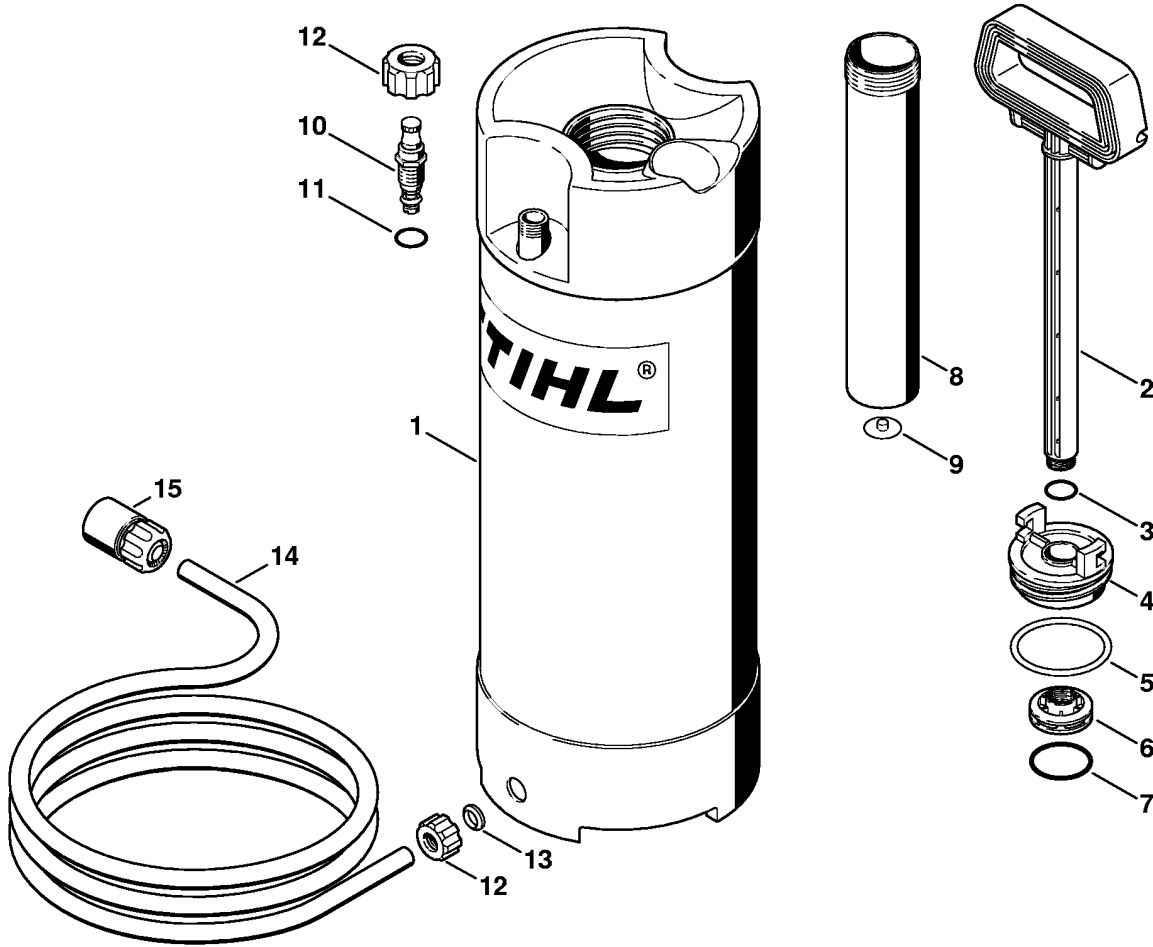
**Pressurized water tank**

1307ET015 SC

## Pressurized water tank

Reference	Item number	Qty	Description	Contains
	0000 670 6000	1	Water tank (B)	1 - 11
1	0000 670 6600	1	Pump barrel (B)	2 - 4
2	0000 676 0500	1	Funnel (B)	
3		1	O-ring 46.99x5.33 (B,D)	
4		1	Valve (B,D)	
5	0000 670 7702	1	Handle (B)	6
6		1	Piston packing (D)	
7	0000 670 5000	1	Valve (B)	
	0000 670 0300	1	Hose (B)	8 - 10
8	0000 670 0400	1	Strainer (B)	
9	4309 678 1100	1	Hose 4 m / 158" (B)	
10	4201 670 1700	1	Coupling sleeve 1/2" (B)	
11	0000 967 7304	1	Warning pictogram (B)	
	0000 007 1601	1	Set of gaskets (B)	3, 4, 6

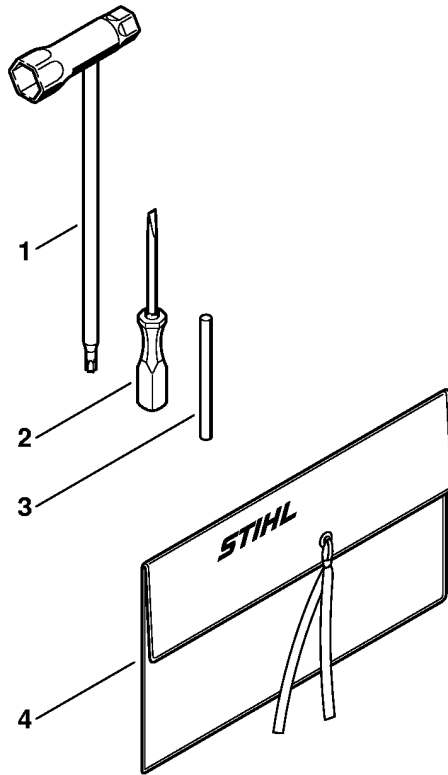
**Pressurized water tank (28.2010)**



337ET021 GM

## Pressurized water tank (28.2010)

Reference	Item number	Qty	Description	Contains	Technical Information
	* 4223 670 6000	1	Water tank (B,C)	1 - 14	28.2010
	* 4223 670 6001	1	Water tank (B,C) USA	1 - 15	28.2010
1	* 4223 670 6010	1	Water tank (B)	12, 13	28.2010
2	* 4223 670 7700	1	Handle (B)	3	28.2010
3	* 9645 945 7560	1	O-ring 14x1.78 (B)		28.2010
4	* 4223 670 8600	1	Filler cap (B)	5	28.2010
5	* 9645 945 8240	1	O-ring 56.5x 5.33 (B)		28.2010
6	* 4223 670 8200	1	Piston (B)	7	28.2010
7	* 9645 945 7958	1	O-ring 37.5x3.15 (B)		28.2010
8	* 4223 670 6600	1	Pump barrel (B)	9	28.2010
9	* 4223 678 2600	1	Valve (B)		28.2010
10	* 4223 670 5000	1	Valve (B)	11	28.2010
11	* 9645 945 7494	1	O-ring 8.76x1.78 (B)		28.2010
12	* 4223 677 8300	2	Union nut (B)		28.2010
13	* 4223 678 1600	1	Insert (B)		28.2010
14	* 4309 678 1100	1	Hose 4 m / 158" (B)		28.2010
15	* 4201 670 1700	1	Coupling sleeve 1/2" (B)		28.2010

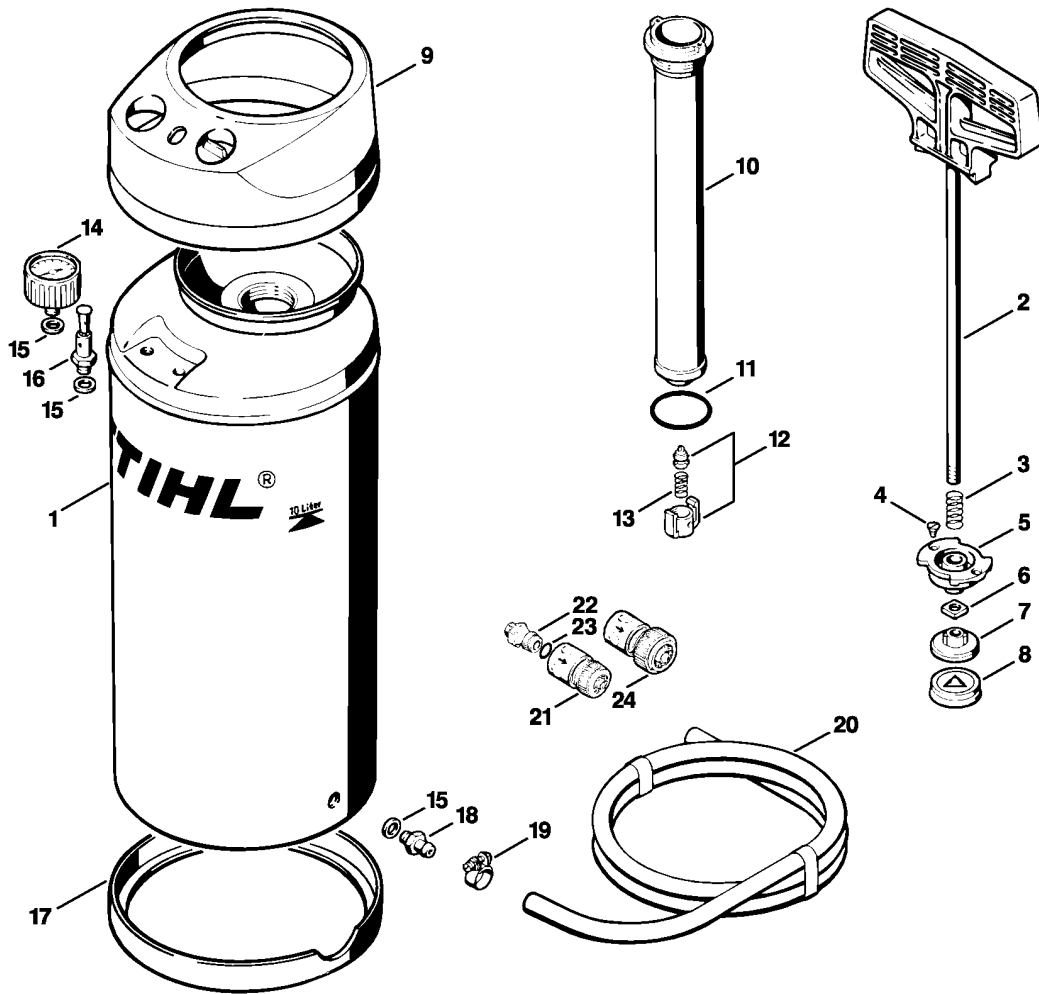


338E1062 SC



**Tools**

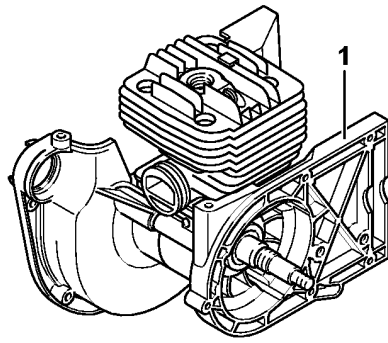
Reference	Item number	Qty	Description	Contains
	4223 890 1400	1	Tool kit	1 - 4
1	4128 890 3400	1	Combination wrench	
2	5910 890 2305	1	Screwdriver	
3	4130 893 7800	1	Locking pin	
4	0000 891 0810	1	Tool roll	



337ET013 LA

## Pressurized water tank

Reference	Item number	Qty	Description	Contains
1	* 4309 670 6002	1	Water tank (B,C)	2 - 18
2	* 4309 670 6500	1	Handle with rod (B)	3 - 8
3	* 4309 676 2500	1	Spring (B)	
4	* 9062 319 0630	2	Countersunk screw M4x8 (B)	
5	* 4309 676 2600	1	Piston rod guide (B)	
6	* 9223 260 1100	1	Square nut M8 (B)	
7	* 4309 676 2700	1	Piston (B)	
8	* 4309 679 0400	1	Piston packing (B)	
9	* 4309 676 2800	1	Shroud (B)	
10	* 4309 670 6600	1	Pump barrel (B)	11 - 13
11	* 9645 945 8024	1	O-ring 42x4 (B)	
12	* 4309 670 4500	1	Insert (B)	13
13	* 4309 678 1700	1	Spring (B)	
14	* 4309 678 1000	1	Pressure gauge (B)	
15	* 4309 679 0300	3	Sealing ring (B)	
16	* 4309 678 1500	1	Safety valve (B)	
17	* 4309 676 3000	1	Guard ring (B)	
18	* 4309 678 1900	1	Hose nipple (B)	
19	* 9771 021 1400	1	Hose clip 14-9 (B)	
20	* 4309 678 1100	1	Hose 4 m / 158" (B)	
21	* 4201 670 1700	1	Coupling sleeve 1/2" (B)	
22	* 4201 700 7300	1	Hose connector (B)	23
23	* 9645 945 7506	1	O-ring 10x3 (B)	
24	* 4201 670 1705	1	Coupling sleeve 3/4" (B)	



338ET055 SC

**Serial number**

---

Reference	Qty	Description
1	1	Position of serial number

---