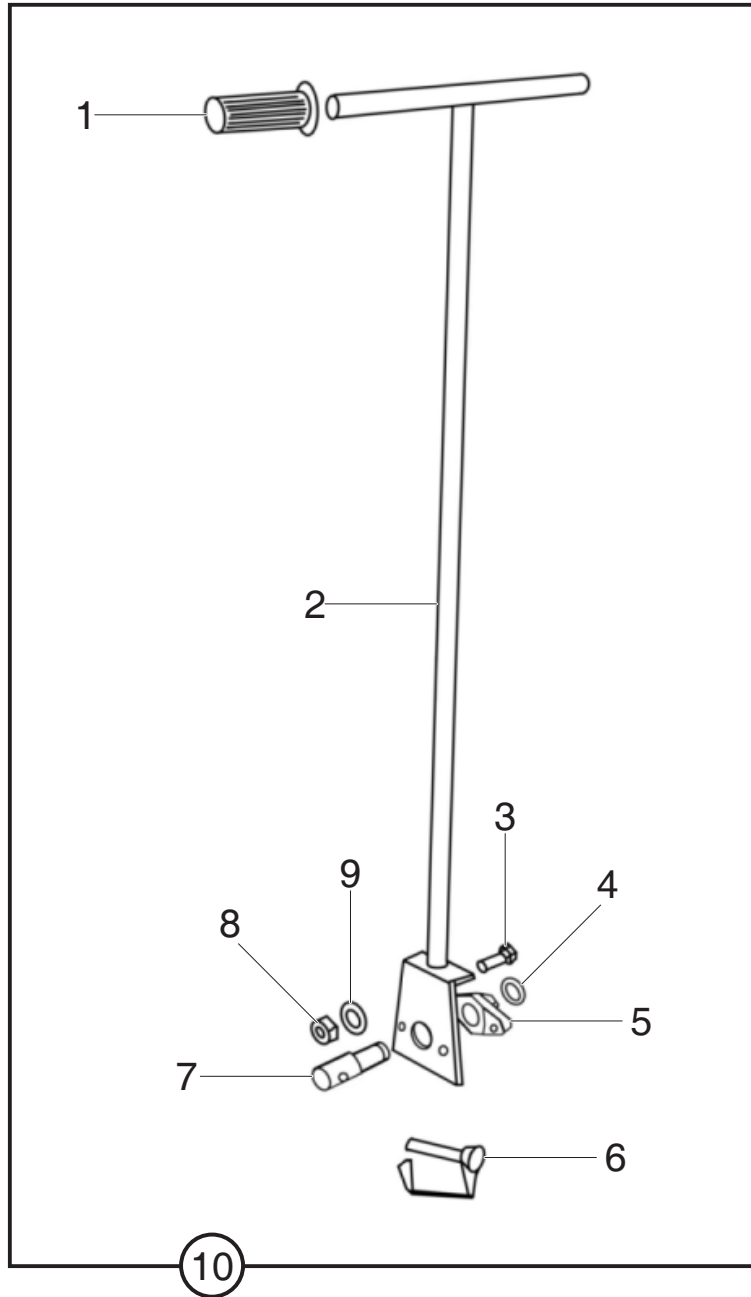


# Roller Striker - Pull Handle

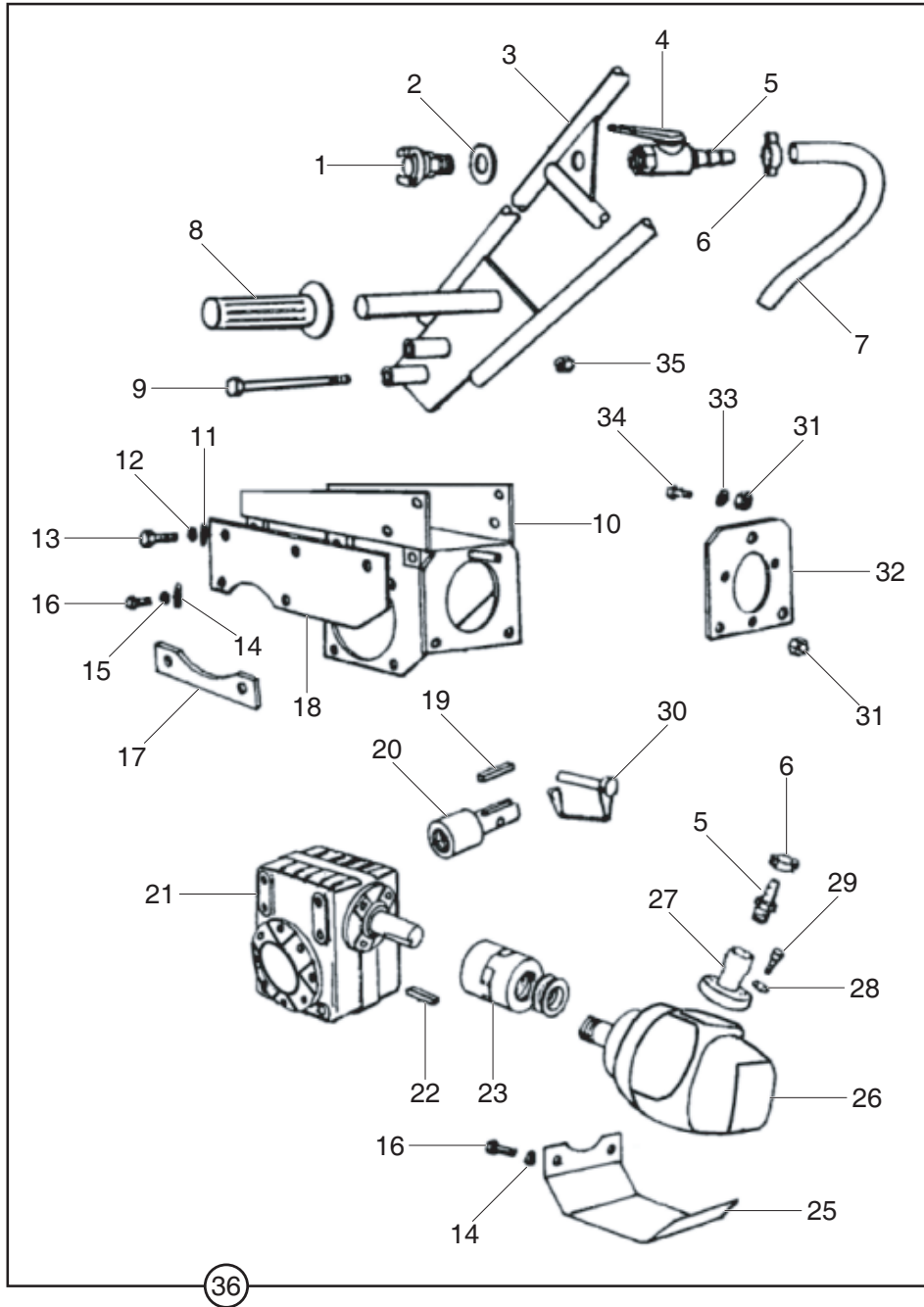
1-01



Item Number	Part Number	Description	Qty
1	19.0.708.....	Hand Grip .....	2
2	129.0.049.....	Handle Assembly.....	1
3	7/10010.....	Setscrew M10 x 30.....	2
4	05.8.016.....	Circlip.....	1
5	12.0.313.....	Bearing .....	1
6	129.2.000.....	Retaining Pin .....	1
7	129.0.050.....	Shaft .....	1
8	8/10006.....	Nyloc Nut M10 .....	2
9	4/1005.....	Washer M10 .....	2
10	129.3.007.....	Pull Handle Complete.....	X

# Roller Striker - Pneumatic Drive End

2-01

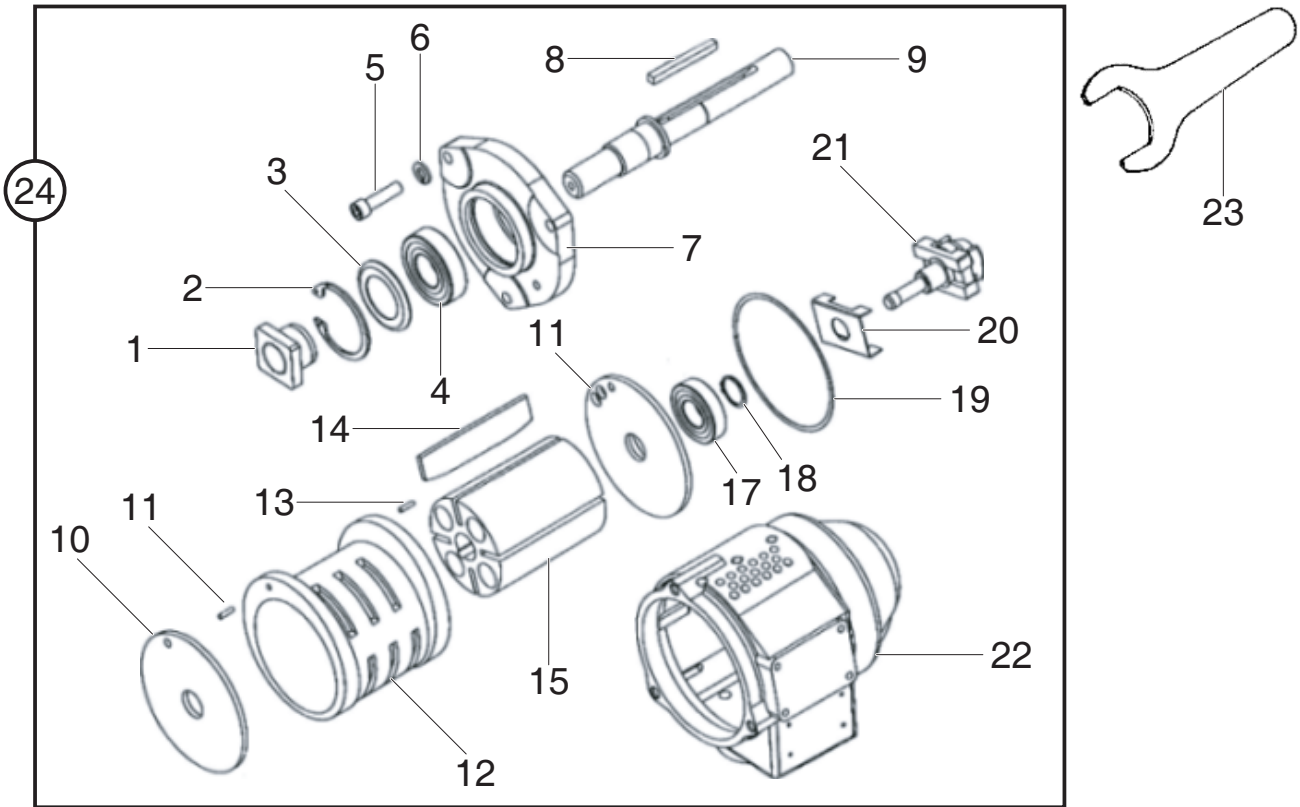


36

Item Number	Part Number	Description	Qty	Item Number	Part Number	Description	Qty
1	19.1.021	Coupling	1	19	06.8.018	Key	1
2	129.0.044	Spacer	1	20	129.0.036	Extension Shaft	1
3	129.0.032	Main Handle	1	21	16.3.000	Gearbox	1
4	15.0.097	Ball Valve	1	22	06.3.004	Key	1
5	14.0.578	Hosetail	2	23	129.2.002	Drive Coupling	1
6	15.0.069	Pipe Clip	2	24	4/1601	M16 Washer	2
7	14.0.875	Hose	1	25	129.0.067	Skid Plate	1
8	19.0.701	Hand Grip	2	26	87.3.030	Air Motor (from M/c #199)	1
9	00.0.044	Bolt	2	27	129.0.069	Inlet Flange	1
10	129.0.068	Drive Frame	1	28	4/6005	Spring Washer (M6)	2
11	4/1005	Washer (M10)	3	29	7/6003	Capscrew (5/16" x 1" UNC)	2
12	4/1003	Spring Washer (M10)	3	30	129.2.000	Retaining Pin	1
13	7/10005	Setscrew (M10 x 25)	3	31	8/8008	M8 Nyloc Nut	3
14	4/8006	Washer (M8)	4	32	129.0.066	Adaptor Plate	1
15	4/8003	Spring Washer (M8)	6	33	4/8006	Washer (M8)	3
16	7/8011	Setscrew (M8 x 20)	6	34	07.0.121	C'sk Screw (M6 x 20)	3
17	129.0.037	Gearbox Skid Plate	1	35	01.0.602	Nut	2
18	129.0.047	Inspection Cover	1	36	129.3.011	Pneumatic Drive End	X

# Roller Striker - Pneumatic Motor

2-02

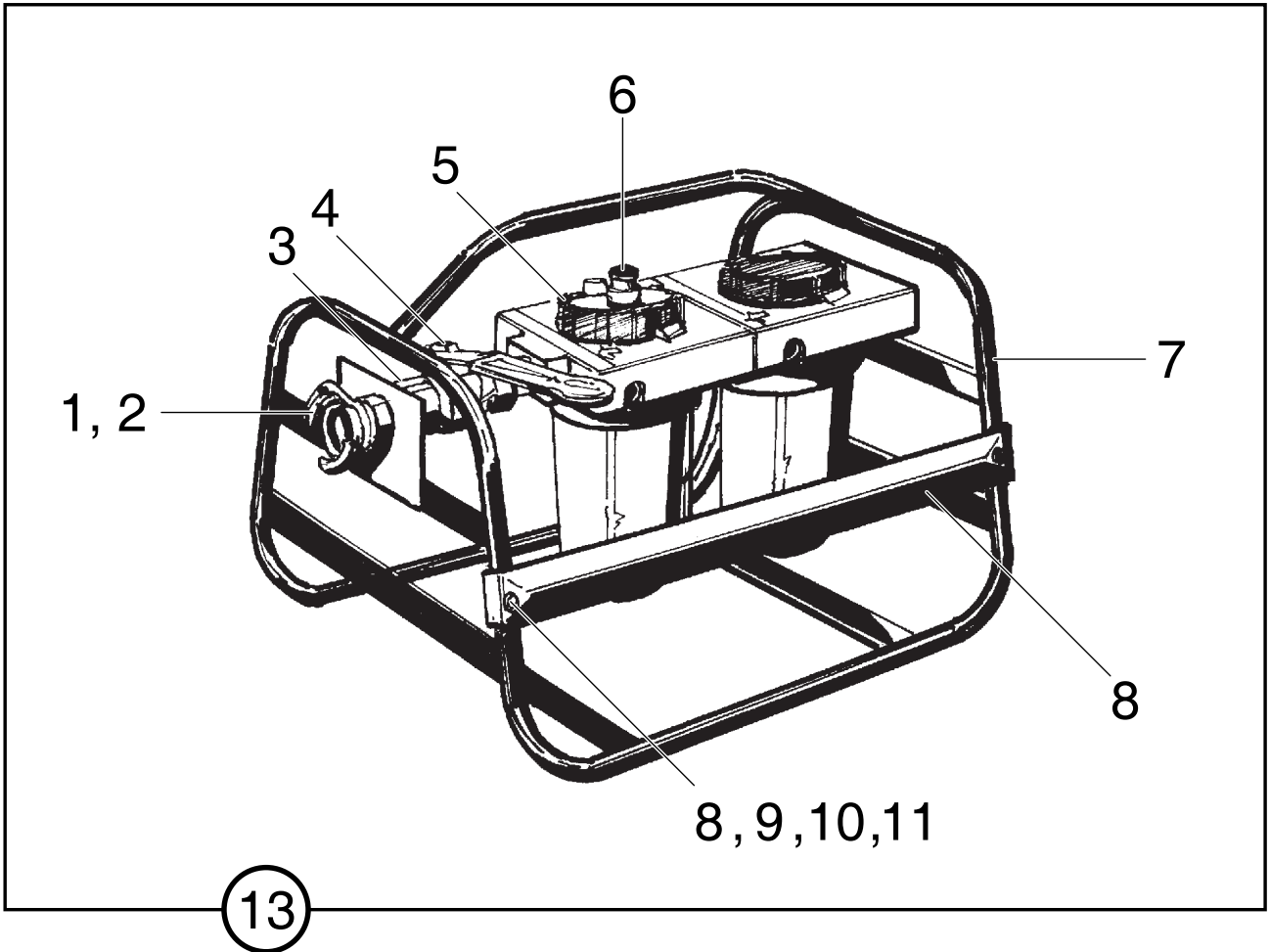


Item Number	Part Number	Description	Qty
1	87.2.320	Drive Nut	1
2	87.2.318	Snap Ring	1
3	87.2.325	Bearing Cover	1
4	87.2.301	Bearing Front	1
5	07.4.001	Capscrew (1/4"x1"UNC)	3
6	05.4.007	Spring Washer (1/4")	3
7	87.2.324	Bearing Support	1
8	87.2.319	Key	1
9	87.2.321	Shaft	1
10	87.2.307	Endplate - Front	1
11	87.2.327	Front Pin	1
12	87.2.305	Cylinder	1
13	87.2.328	Rear Pin	1
14	87.2.300	Air Vane	4
15	87.2.326	Rotor	1
16	87.2.306	End Plate - Rear	1
17	87.2.302	Rear Bearing	1
18	87.2.304	Rear Circlip	1

Item Number	Part Number	Description	Qty
19	87.2.303	Gasket	1
20	87.2.323	Governor Shield	1
21	87.2.322	Governor	1
22	87.2.309	Main Body	1
23	19.1.562	Spanner (2")	1
24	87.3.030	Air Motor (from M/c #199)	1

# Roller Striker - Lubricator

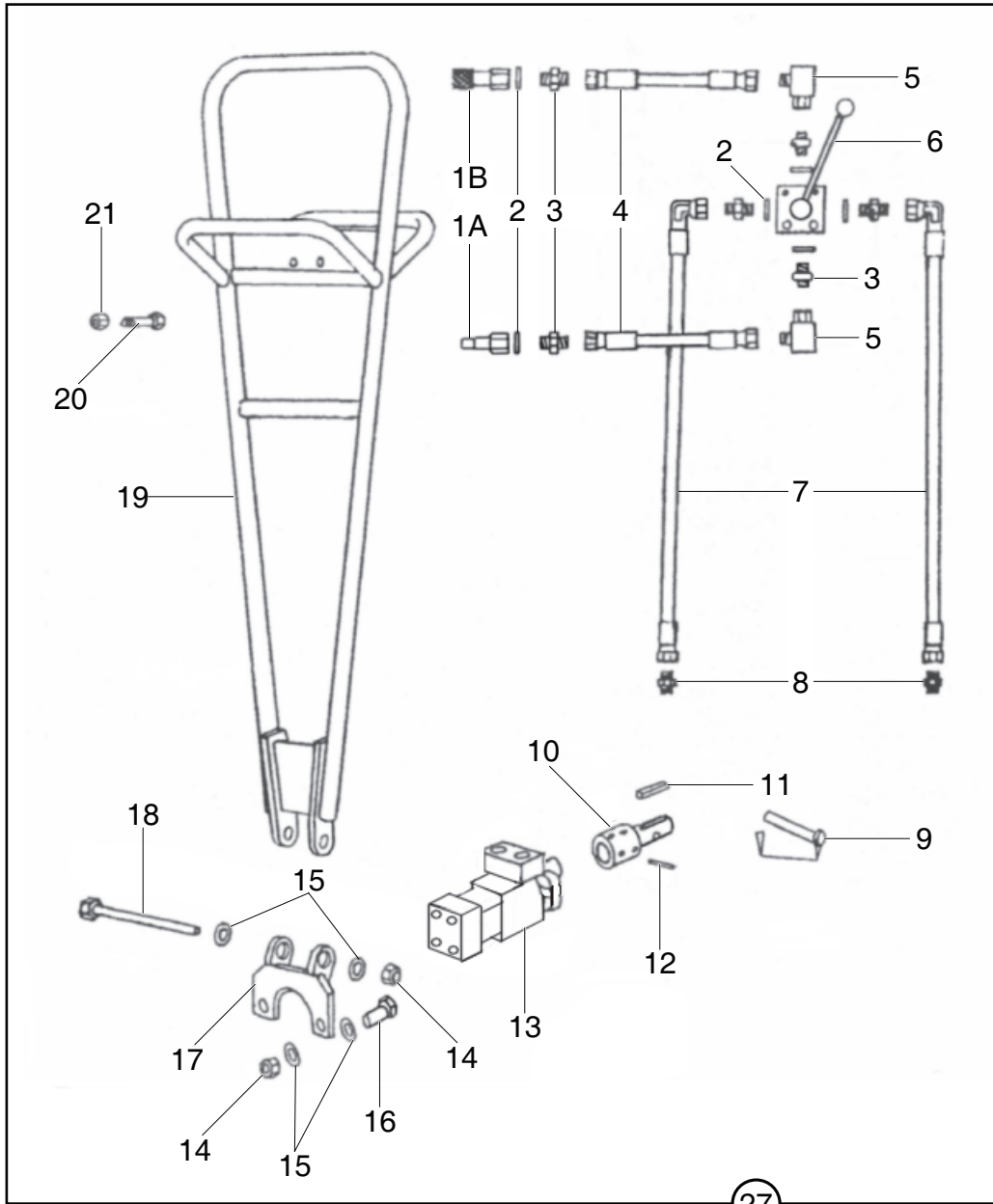
2-03



Item Number	Part Number	Description	Qty
1	19.1.020	Coupling (1").....	2
2	129.0.044	Spacer .....	2
3	14.0.021	Nipple .....	1
4	14.0.082	Ball Valve (1") .....	1
5	29.9.028	Filter Regulator.....	1
6	21.0.242	Pressure Gauge .....	1
7	129.0.051	Frame .....	1
8	129.0.052	Removable Side Strip.....	1
9	02.0.018	Setscrew.....	2
10	4/1601	Washer (M6).....	2
11	8/16005	Nyloc Nut (M6).....	2
12	129.3.008	Air Hose Assy ( <b>Not Shown</b> )....	1
13	29.3.006	Lubricator Complete .....	X

# Roller Striker - Hydraulic Drive End

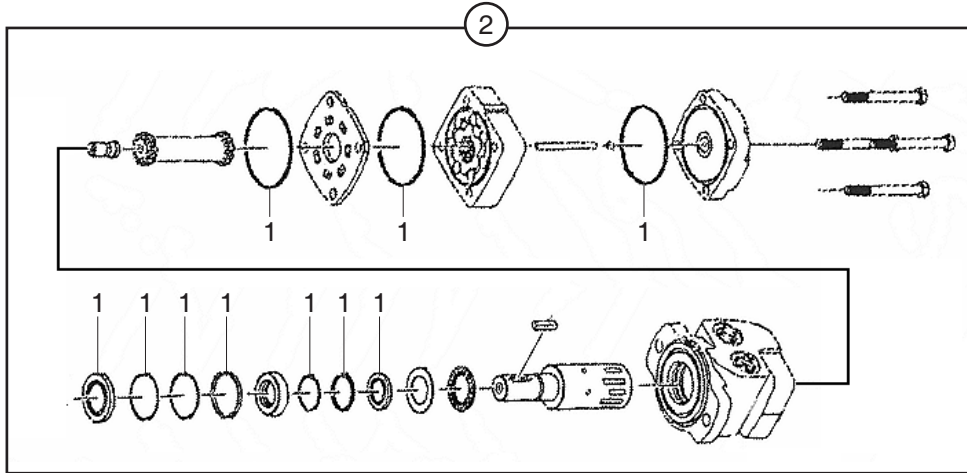
3-01



Item Number	Part Number	Description	Qty	Item Number	Part Number	Description	Qty
1A	00545	Coupling 3/8" BSP Male	1	15	4/1204	Washer .....	4
1B	00546	Coupling 3/8" BSP Female	1	16	9/12004	Bolt M12 x 50.....	2
2	5/0007	Bonded Seal	6	17	129.0.063	Motor Mounting Bracket .....	1
3	14.0.054	Hydraulic Fitting 3/8" BSP M/M	6	18	9/12011	Bolt M12 x 120.....	1
4	129.2.009	Hose Assy (From M/c #418)	2	19	129.0.061	Handle Weldment.....	1
5	14.0.236	Swivel Elbow	2	20	9/8014	Bolt M8 x 50.....	2
6	14.2.057	Control Valve	1	21	8/8008	Nyloc Nut M8.....	2
7	129.2.008	Hose Assy (From M/c #418)	2	22	142.3.003	12m Siamese Hose complete (Not Shown).....	1
8	6/0005	Adaptor - 1/2" x 3/8" BSP M/M	2	23	129701	Tool Kit - consisting of items 24 - 26 (Not Shown) .....	1
9	129.2.000	Retaining Pin	1	24	19.1.270	24mm Socket (Not Shown).....	1
10	129.0.064	Drive Shaft Adaptor	1	25	19.1.404	17mm Socket (Not Shown).....	1
11	06.8.018	Key	1	26	19.1.827	Torque Wrench (Not Shown) ...	1
12	7/8030	Grubscrew M8 x 10	4	27	129.3.101	Hydraulic Drive End.....	X
13	☞ 3-02	Hyd Motor (White) (From M/c #102625)	1				
13A	☞ 3-03	Hydr Motor (Parker)	1				
13B	☞ 3-04	Hydr Motor (Eaton Char-Lyn)	1				
14	8/12006	Nyloc Nut	3				

## Roller Striker - Hydraulic Motor (White)

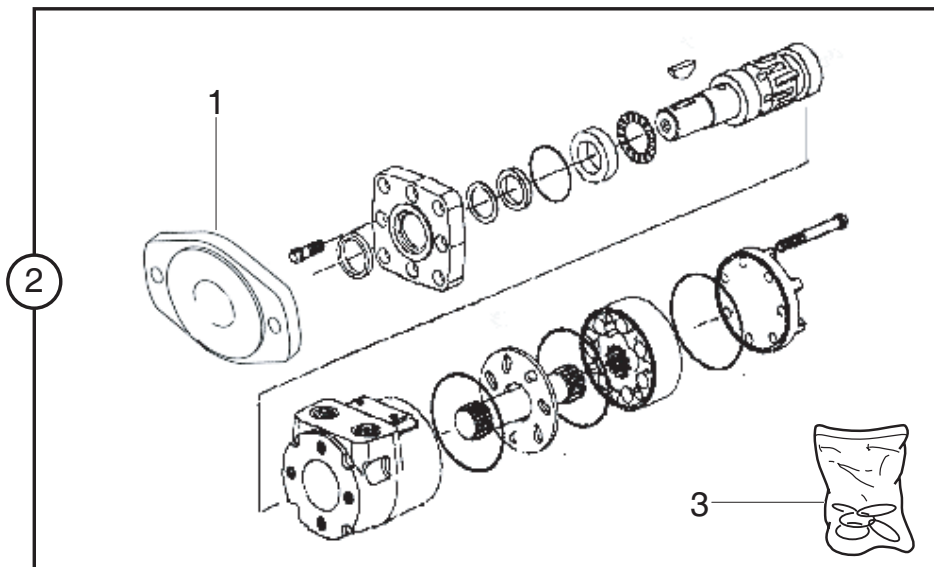
3-02



Item Number	Part Number	Description	Qty
1	29.9.080	Seal Kit (From M/c #102625) (Up To Serial #129350095950)	1
1	129.3.103	Seal Kit (From Serial #129350095951)	1
2	129.3.102	Hydraulic Motor Kit (From M/c #102625) (Up To Serial #129350095950)	1
2	6/1149	Hydraulic Motor (From Serial #129350095951)	1

## Roller Striker - Hydraulic Motor (Eaton Char-Lyn)

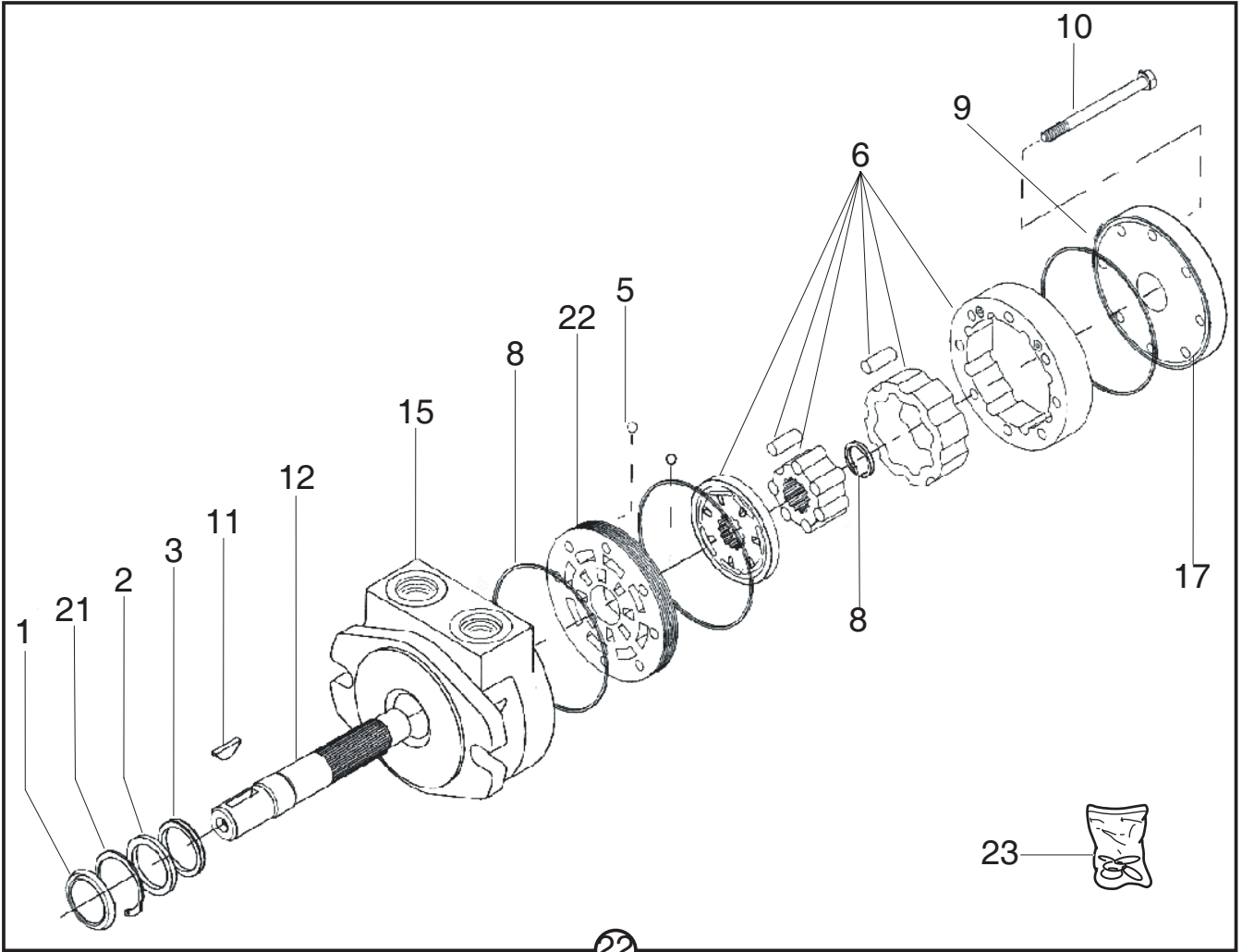
3-03



Item Number	Part Number	Description	Qty
1	29.9.061	Mounting Flange.....	1
2	29.9.047	Hydraulic Motor .....	1
3	29.9.055	Seal Kit .....	1

# Roller Striker - Hydraulic Motor (Parker)

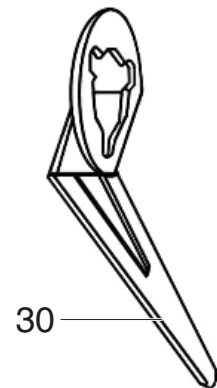
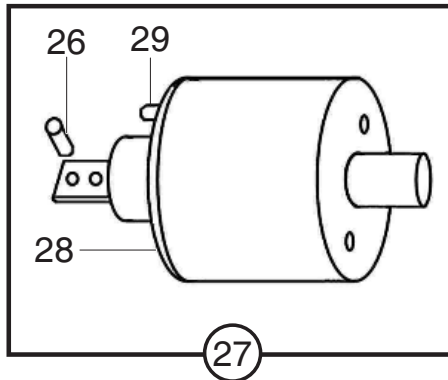
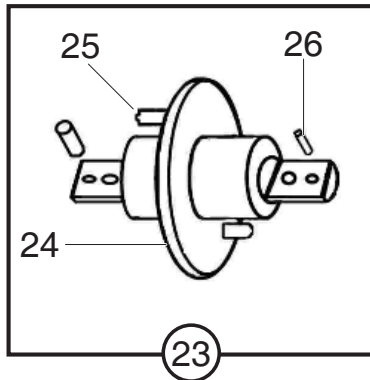
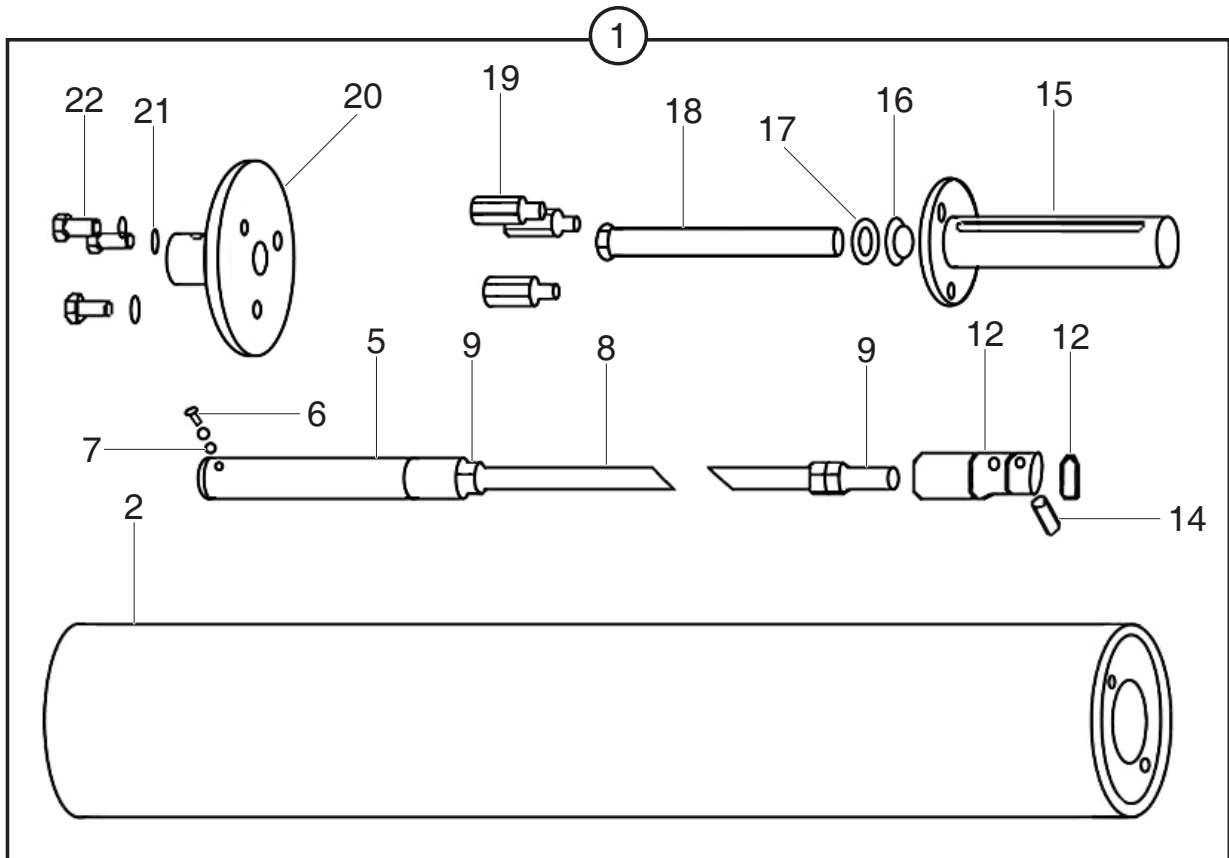
3-04



Item Number	Part Number	Description	Qty
1	29.9.067	Seal, Dust.....	1
2	29.9.068	Back Up Ring.....	1
3	29.9.069	Seal, Lip.....	1
4	29.9.070	Rotary Valve .....	1
5	29.9.063	Check Valve Ball.....	2
6	29.9.071	IGR Assembly 3.6 cu in / rev ...	1
7	29.9.072	Snap Ring (Extra Heavy Duty)	1
8	29.9.073	Square Ring Seal .....	3
9	29.9.074	Plug, Vent c/w O ring.....	1
10	29.9.075	Bolt (5/16" x 24).....	8
11	29.9.064	Key, Woodruff .....	1
12	29.9.076	Shaft (1").....	1
15	29.9.060	Body / Bearing Assembly.....	1
17	29.9.065	Cover / Bearing Assembly .....	1
21	29.9.077	Snap Ring.....	1
22	29.9.043	Hydraulic Motor .....	1
23	29.9.062	Seal Kit.....	1

# Roller Striker - Sectional Tube Kits

4-01

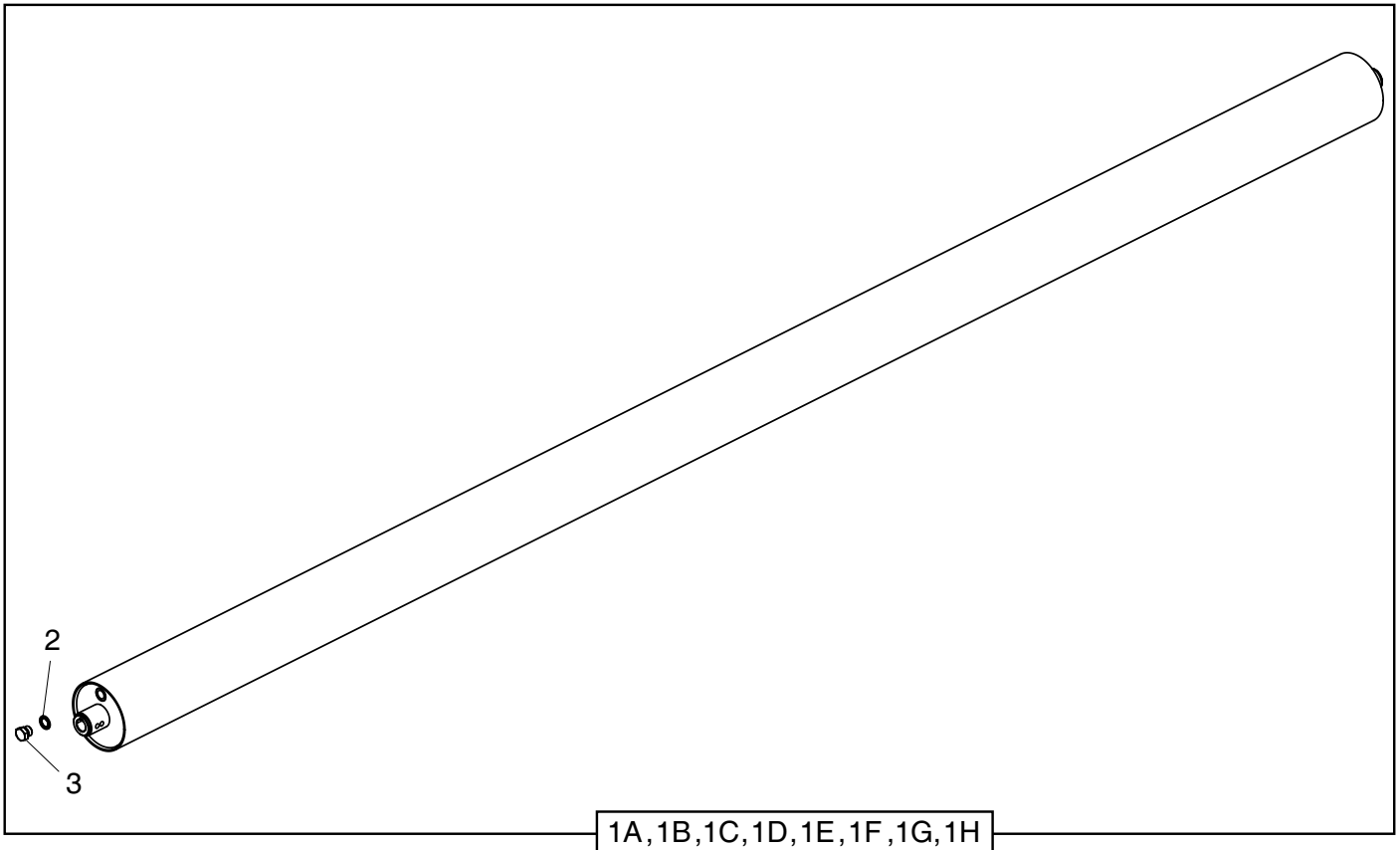


Item Number	Part Number	Description	Qty	Item Number	Part Number	Description	Qty
1	150700	Tube Assy (2.1m)	1	13	15.0.253	O Ring	1
1A	150701	Tube Assy (3.1m)	1	14	129.0.214	Threaded Dowel	1
1B	150702	Tube Assy (4.1m)	1	15	150027	Slide Housing	1
2	150000	Tube Assy (2.1m)	1	16	129.0.202	Flange Bush	1
2A	150005	Tube Assy (3.1m)	1	17	05.0.030	Washer	1
2B	150008	Tube Assy (4.1m)	1	18	129.0.203	Tension Screw	1
3	150711	Tension Rod Assy (2.1m)	1	19	150015	Hexagon Spacer	3
3A	150712	Tension Rod Assy (3.1m)	1	20	150011	Drive Plate	1
3B	150713	Tension Rod Assy (4.1m)	1	21	4/1005	Washer (M10)	3
4	150707	Tension Rod Assembly (2.1m)	1	22	7/10003	Setscrew (M10 x 30)	3
4A	150706	Tension Rod Assembly (3.1m)	1	23	150704	Adaptor Plate Assembly	1
4B	150703	Tension Rod Assembly (4.1m)	1	24	150023	Adaptor Plate	1
5	150025	Adjustment Tube	1	25	150024	Drive Pin	2
6	07.0.032	Socket Head Cap (M6 x 8)	1	26	129.0.214	Dowel Threaded	2
7	4/6005	Washer M6 Spring	2	27	150708	Short Drive End Assembly	1
8	150031	Tension Rod (2.1m)	1	28	150010	Drive End Short	1
8A	150036	Tension Rod (3.1m)	1	29	129.0.210	Dowel (M10)	1
8B	150038	Tension Rod (4.1m)	2	26	129.0.214	Dowel Threaded	1
9	01.0.008	Nut M16	3	30	150040	Tension Tool	1
12	150032	Link Rod	1				



# Roller Striker - Tube Kits

4-02

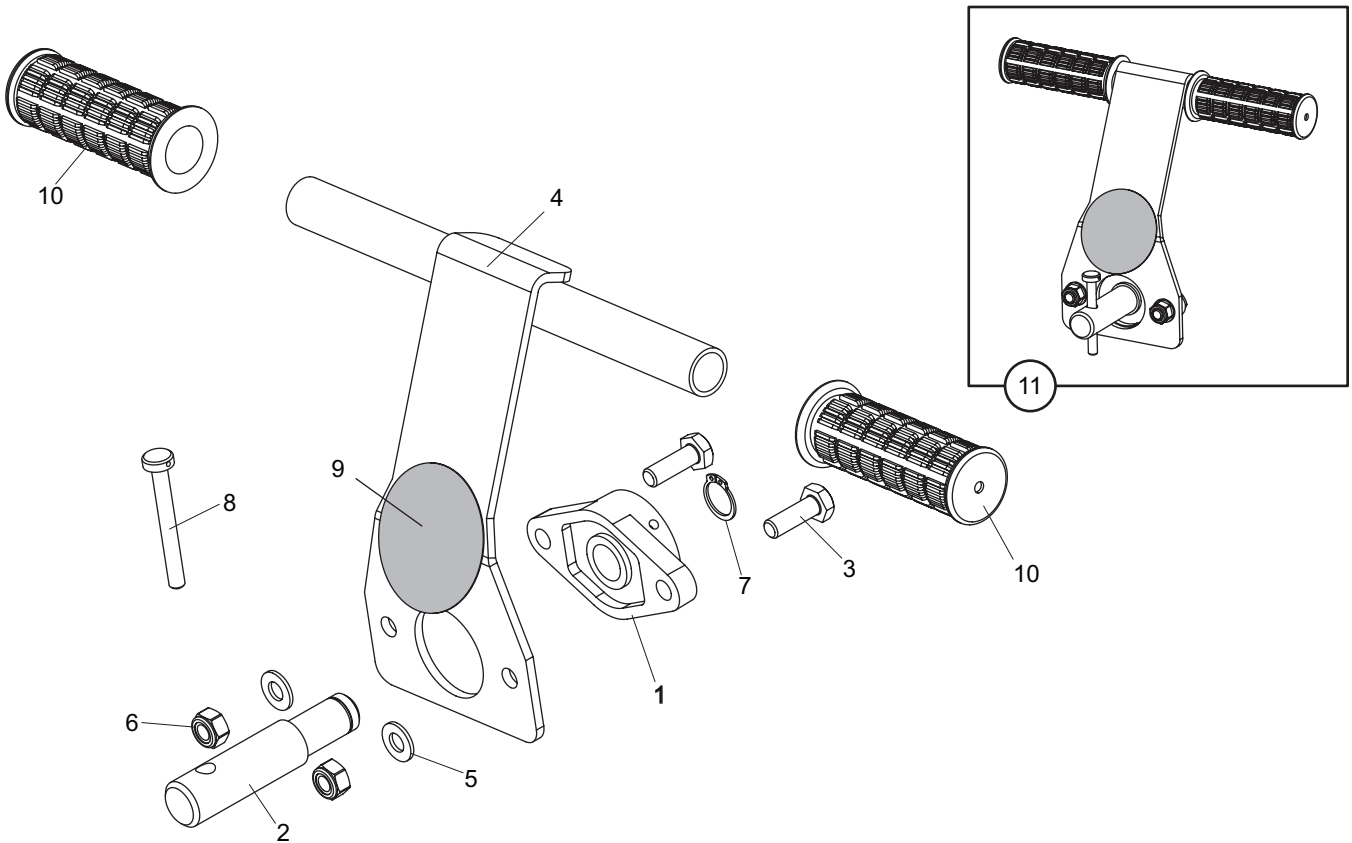


1A, 1B, 1C, 1D, 1E, 1F, 1G, 1H

Item Number	Part Number	Description	Qty
1A	129.0.026	Tube Assembly 26ft (7.92m)....	1
1B	129.0.024	Tube Assembly 24ft (7.32m)....	1
1C	129.0.022	Tube Assembly 22ft (6.71m)....	1
1D	129.0.020	Tube Assembly 20ft (6.10m)....	1
1E	129.0.018	Tube Assembly 18ft (5.49m)....	1
1F	129.0.016	Tube Assembly 16ft (4.88m)....	1
1G	129.0.014	Tube Assembly 14ft (4.26m)....	1
1H	129.0.012	Tube Assembly 12ft (3.66m)....	1
2	10-100-0513	Bonded Seal 1/2".....	2
3	6/2003	Blanking Plug 1/2".....	2

# Roller Striker - Tube Carry Handle

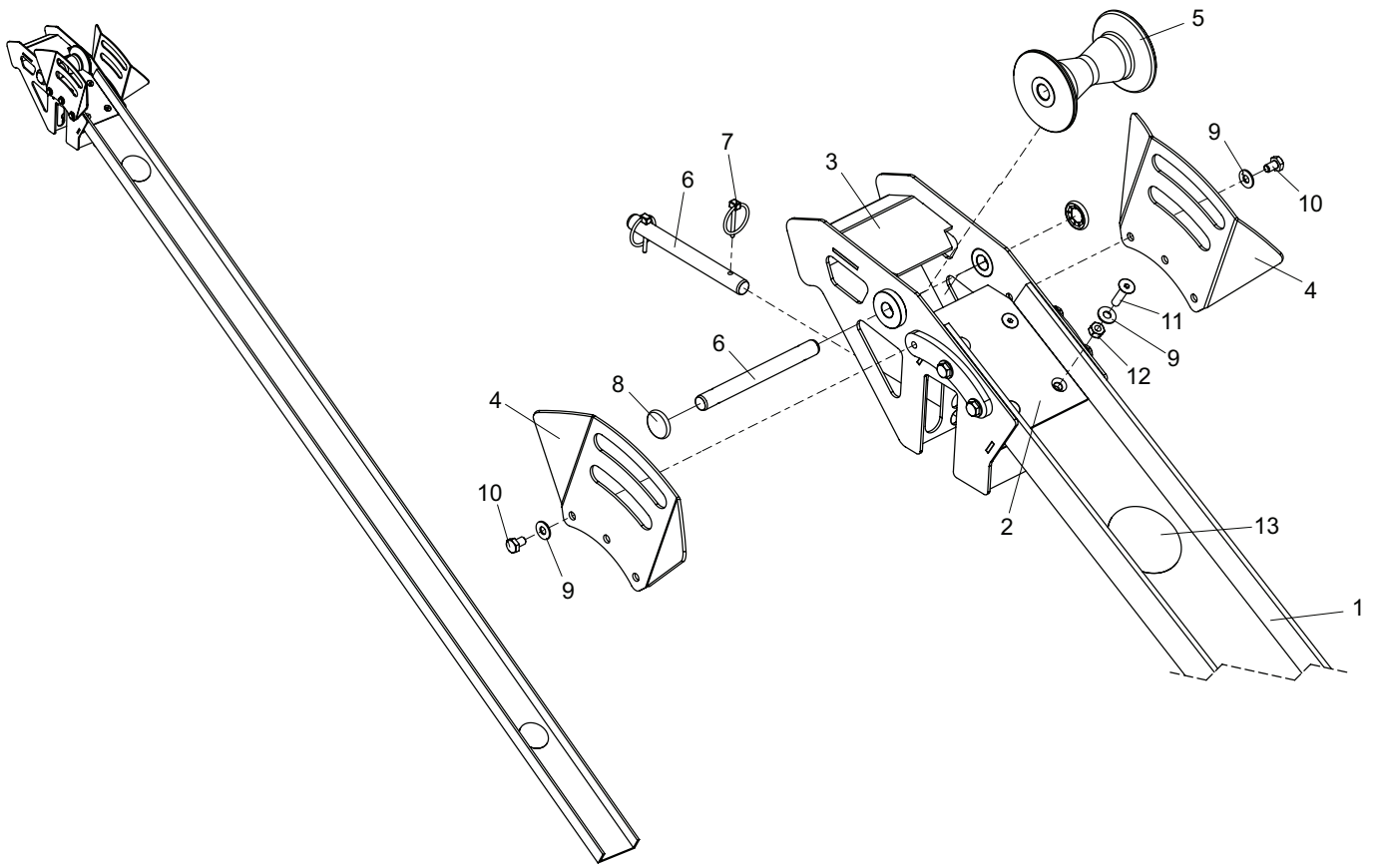
5-01



Item Number	Part Number	Description	Qty
1	12.0.313	Bearing .....	1
2	129.0.050	Shaft .....	1
3	7/10010	Screw Set M10 x 30 .....	2
4	129.0.082	Handle WA.....	1
5	4/1005	Washer Flat M10 Form A.....	2
6	8/10006	Nut M10 .....	2
7	05.8.016	Circlip.....	1
8	129.2.000	Retaining Pin .....	1
9	800/00300	Decal .....	1
10	19.0.708	Handle Grip .....	2
11	129.0.083	Carry Handle Assembly.....	1

# Roller Striker - Loading Ramp

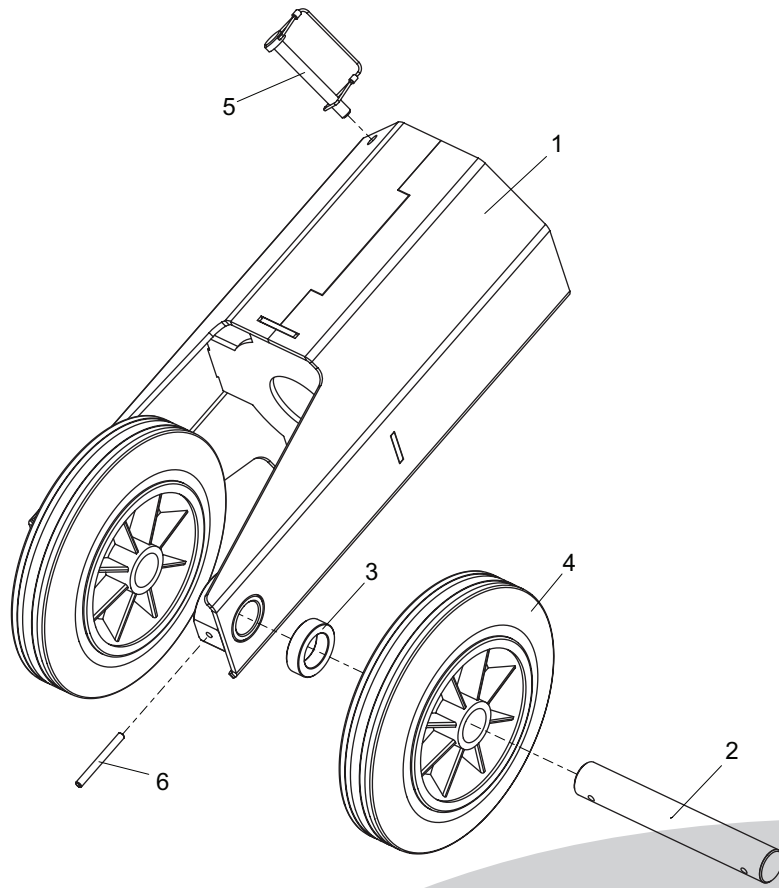
5-02



Item Number	Part Number	Description	Qty
1	129/99001	Ramp .....	1
2	129/99002	Ramp Lead Plate .....	1
3	129/00100	Roller Head Assembly .....	1
4	129/99003	Ramp Side Guard .....	2
5	129/99004	Guide Roller .....	1
6	129/99005	Roller Axle .....	2
7	3/1018	Lynch Pin .....	2
8	00011	Star Clip .....	2
9	4/1001	Washer M10 .....	10
10	7/10013	Screw M10 x 16 .....	6
11	7/10041	Screw M10 x 40 .....	4
12	8/10006	Nut M10 .....	4
13	800/99859	Belle Logo Decal .....	2

# Roller Striker - Skate

5-03



Item Number	Part Number	Description	Qty
1	129/00200	Skate Assembly .....	1
2	129/99006	Skate Wheel Axle .....	1
3	129/99007	Skate Wheel Spacer .....	1
4	60/0285	Wheel .....	2
5	129.2.000	Retaining Pin .....	1
6	3/0081	Roll Pin 5 x 50 .....	2



BELLE  
LIGHT  
CONSTRUCTION  
EQUIPMENT

ALTRAD BELLE  
Sheen, Nr. Buxton, Derbyshire, SK17 0EU, GB  
Tel. +44 (0)1298 84606 - Fax +44 (0)1298 84722 - Email: [sales@altrad-belle.com](mailto:sales@altrad-belle.com)  
[www.Altrad-Belle.com](http://www.Altrad-Belle.com)