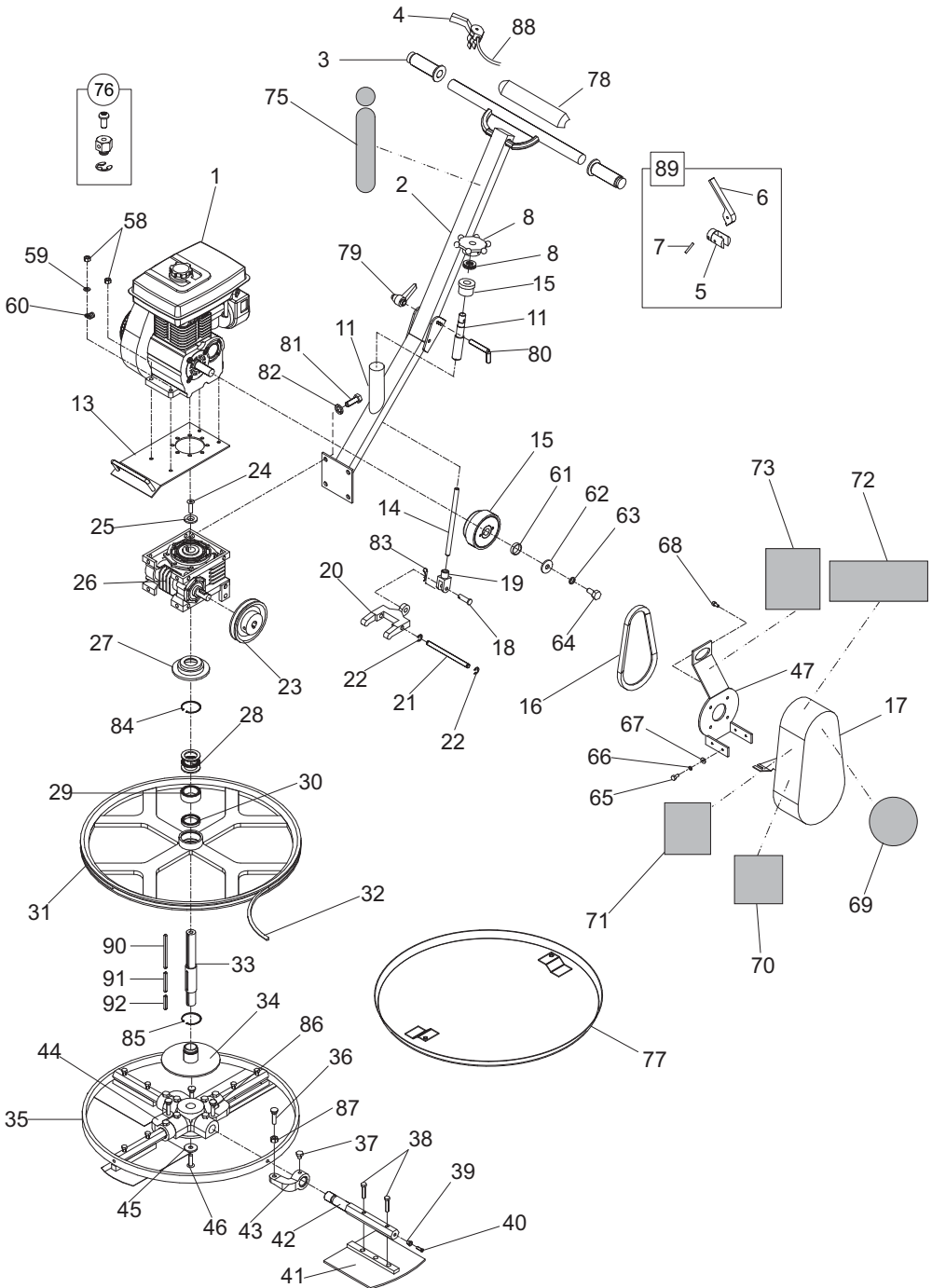
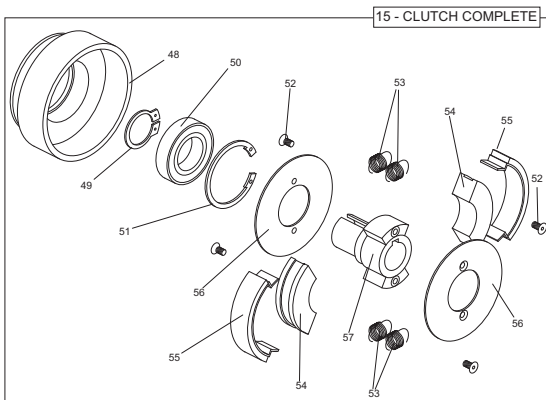


# Pro 600X - Petrol



# Pro 600X - Petrol



ITEM <sup>(1)</sup> NUMBER	PART <sup>(2)</sup> NUMBER	DESCRIPTION <sup>(3)</sup>	QTY <sup>(4)</sup>	ITEM <sup>(1)</sup> NUMBER	PART <sup>(2)</sup> NUMBER	DESCRIPTION <sup>(3)</sup>	QTY <sup>(4)</sup>
1	20/0038	Engine - GX 120	1	46	945/99542	Screw M10X20 H.B.C	1
	20/0056	Engine - EX13	1	47	945/99522	Backplate	1
2	945/99500	Steering Arm	2	48	945/99524	Coupling Cover	1
3	945/99545	Handle Grip	1	49	945/99525	Circlip	1
4	945/99537	Gas Throttle Lever	1	50	53/0030	Bearing (6006 ZZ)	1
5	945/99533	Stop Switch	1	51	945/99527	Circlip	1
6	945/99534	Stop Switch Arm	1	52	945/99542	Screw M5x10 H.b.c.i	4
7	945/99536	Stop Switch Pin	1	53	945/99528	Clutch Springs	4
8	945/99501	Blade Adjustment Wheel	1	54	945/99529	Shoe Parts	2
9	53/0033	Bearing (T77)	1	55	945/99530	Clutch Shoes	2
10	945/99502	Housing	1	56	945/99531	Cover	2
11	945/99503	Adjustment Shaft	1	57	945/99532	Clamping Bush	1
12	945/99504	Steering Arm Pin	1	58	8/8001	M8 Nyloc Nut	4
13	945/00100	Engine Plate	1	59	4/8006	M8 Flat Washer	2
14	945/99506	Extension Shaft	1	60	900/10200	P Clip	2
15	945/99523	Clutch	1	61	945/99551	Clutch Spacer	1
16	21/0167	V-Belt 12.5 x 700	1	62	05.3.062	5/16" Repair Washer	1
17	945/99507	Belt Cover	1	63	4/8003	M8 Spring Washer	1
18	945/99508	Yoke Pin	1	64	02.3.020	5/16 X 1" Bolt	1
19	945/99509	Blade Adjustment Yoke	1	65	02.0.012	M6 X 16 Bolt	4
20	945/99510	Yoke Arm	1	66	4/6005	M6 Spring Washer	4
21	945/99511	Yoke Shaft	1	67	05.3.066	M6 Flat Repair Washer	4
22	945/99552	Circlip	2	68	7/5162	5/16 X 3/4" Bolt	4
23	945/99543	Pulley	1	69	800/23809	Belle Logo Decal	1
24	945/99538	Screw M10 x 20	1	70	19.0.373	4 In 1 Safety Decal	1
25	4/3801	Washer	1	71	840/01910	Noise Level Decal	1
26	945/99512	Gearbox	1	72	19.0.230	Safety Warning Decal	1
27	945/99513	Pressure Plate	1	73	800/99986	Lifting Eye Decal	1
28	53/0036	Bearing (51107)	1	75	800/99973	Pro 600X Decal	1
29	53/0035	Bearing (NKJ 40 x 20)	1	76	21/0243	Cable Holder Kit	1
30	53/0034	Bearing (61808)	1	77	945/00200	Trowel Pan 600	1
31	945/99514	Aluminium Ring	1	78	945/99554	Steering Rubber	1
32	945/99544	V-Belt	1	79	945/99561	Bakelite	1
33	945/99515	Main Shaft	1	80	945/99562	Adjustment Pin	1
34	945/99516	Pressure Cap	1	81	945/99566	Bolt	5
35	945/99517	Circle Plate	1	82	945/99567	Washer	6
36	945/99539	Screw M10 x 30 S.B.C	1	83	945/99565	Cotter Pin	1
37	7/10028	Screw M10 X 20 O.C	4	84	945/99587	Retaining Ring	1
38	02.0.019	Screw M6 x 40	8	85	945/99588	Retaining Ring	1
39	4/1611	Washer	4	86	945/99589	Spider Screw	4
40	07.0.106	Screw M8 X 20 H.B.C	4	87	945/99590	Check Nut	8
41	945/99518	Blade Set	4	88	945/99603	Throttle Cable	1
42	945/99519	Blade Arm	4	89	945/99604	Deadman's Handle Complete	1
43	945/99520	Lift Lever	4	90	945/99636	Key (8 x 7 x 100)	1
44	945/99521	Spider Plate	1	91	945/99569	Key (6 x 6 x 40)	1
45	4/1012	Washer	1	92	945/99585	Key (8 x 7 x 35)	1

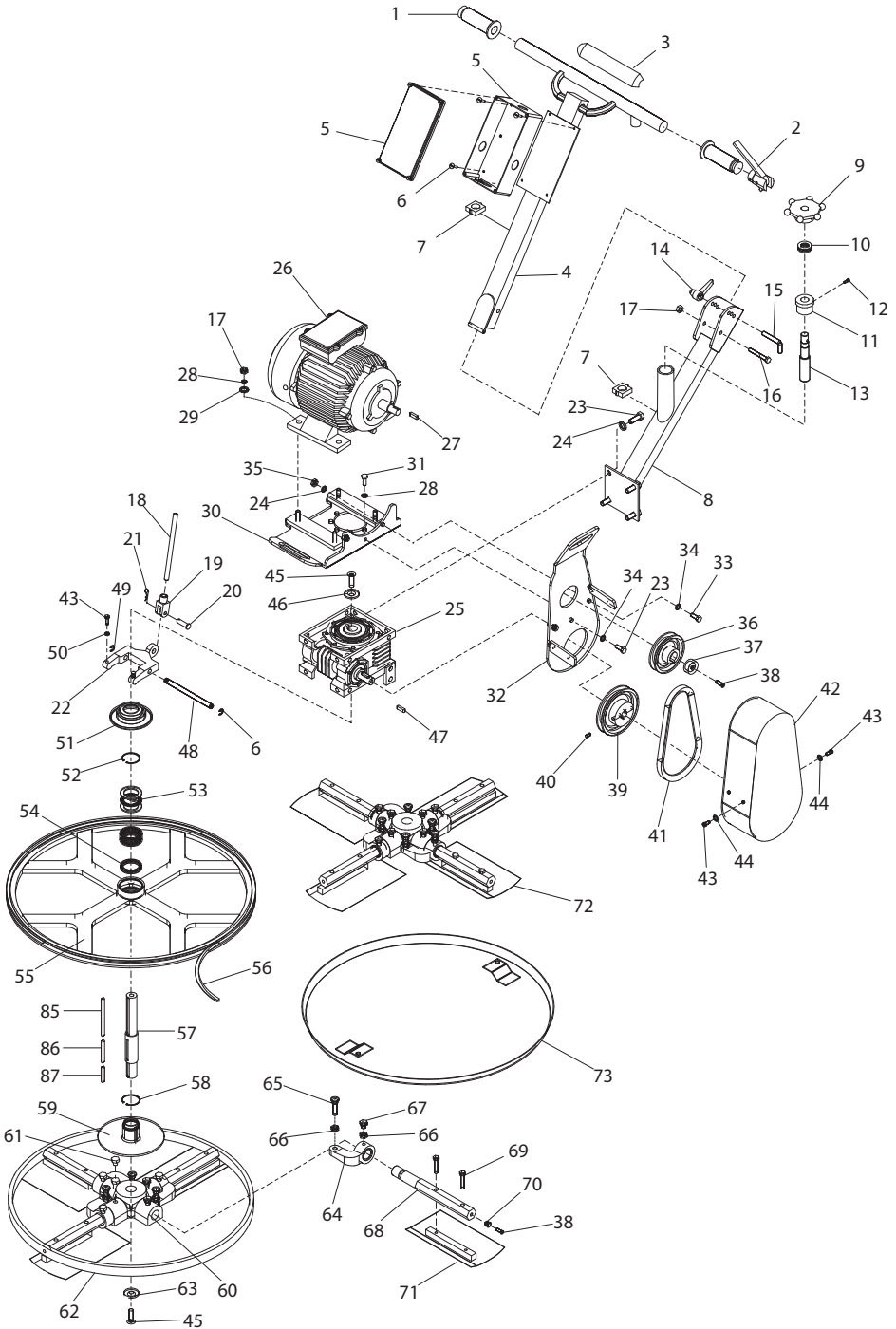
<sup>(1)</sup> Item Number / numéro sur le schéma / número de la ilustración / número da ilustração / afbeeldingsnummer / tegningsnummeret / Teil-Nummer / numero dell'illustrazione

<sup>(2)</sup> Part Number / Numéro de référence de la pièce / número de pieza / número da parte / stuknummer / Styknummer / Nummer auf der Abbildung / numero di parte

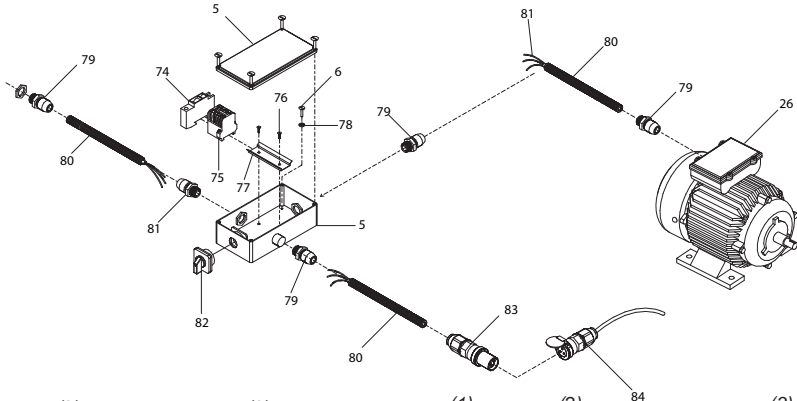
<sup>(3)</sup> Description / Désignation / Descripción / Descrição / Omschrijving / Beskrivelse / Bezeichnung / Descrizione

<sup>(4)</sup> Quantity / Quantité / Cantidad / Quantidade / Hoeveelheid / Mengen / Mængde / Quantità

# Pro 600X - Electric



# Pro 600X - Electric



ITEM <sup>(1)</sup> NUMBER	PART <sup>(2)</sup> NUMBER	DESCRIPTION <sup>(3)</sup>	QTY <sup>(4)</sup>	ITEM <sup>(1)</sup> NUMBER	PART <sup>(2)</sup> NUMBER	DESCRIPTION <sup>(3)</sup>	QTY <sup>(4)</sup>
1	945/99545	Handle	2	45	945/99538	Flat Head Screw	1
2	945/99553	Electric Stop Handle	1	46	4/3801	Gearbox Washer	1
3	945/99554	Steering Rubber	1	47	945/99585	Key	1
4	945/99555	Steering Upper Part	1	48	945/99511	Yoke Shaft	1
5	945/99556	Electric Box	1	49	945/99552	Circlip	2
6	945/99557	Screw	4	50	945/99586	Nut	2
7	945/99558	Hook	2	51	945/99513	Thrust Bearing Plate	1
8	945/99559	Steering Bottom Part	1	52	945/99587	Retaining Ring	1
9	945/99501	Blade Adjustment Wheel	1	53	53/0034	Bearing	1
10	53/0033	Bearing	1	54	53/0036	Bearing	1
11	945/99502	Bushing	1	55	945/99514	Aluminium Circle	1
12	945/99560	Hexagonal Bolt	1	56	945/99544	V-belt	1
13	945/99503	Blade Adjustment Shaft	1	57	945/99515	Gearbox Shaft	1
14	945/99561	Bakelite	1	58	945/99588	Retaining Ring	1
15	945/99562	Adjustment Pin	1	59	945/99516	Pressue Plate	1
16	945/99563	Bolt	1	60	945/99521	Spider Plate	1
17	945/99564	Locknut	5	61	945/99589	Spider Screw	4
18	945/99506	Extension Shaft	1	62	945/99517	Circle Plate	1
19	945/99509	Blade Adjustment Yoke	1	63	4/1012	Retaining Washer Spider	1
20	945/99508	Screw	1	64	945/99520	Lift Lever	4
21	945/99565	Cotter Pin	1	65	945/99539	Cup Square Bolt	4
22	945/99510	Yoke	1	66	945/99590	Check Nut	8
23	945/99566	Bolt	5	67	7/10028	Lift Lever Bolt	4
24	945/99567	Washer	6	68	945/99519	Blade Shaft	4
25	945/99512	Gearbox	1	69	7/6043	Bolt	8
26	945/99568	Electric Motor	1	70	4/1611	Special Bolt	4
27	945/99569	Key	1	71	945/99518	Blade Set	4
28	945/99570	Washer Spring	9	72	945/99591	Spider Complete	1
29	945/99571	Washer	4	73	945/00200	600 Disc	1
30	945/99572	Engine Plate	1	74	945/99592	16 Amp Automat	1
31	945/99573	Bolt	5	75	945/99593	Contactor 220w	1
32	945/99574	Belt Guard	1	76	945/99594	Screw	2
33	945/99575	Bolt	2	77	945/99595	Contactor Rail	1
34	945/99576	Washer Spring	3	78	945/99596	Washer	4
35	945/99577	Locknut	2	79	945/99597	Cable Housing	5
36	945/99578	Pulley	1	80	945/99598	M14 Hose	3
37	945/99579	Ring	1	81	945/99599	Cable	9
38	07.0.106	Flat Head Screw	5	82	945/99600	On / Of Switch	1
39	945/99543	Gearbox Pulley	1	83	945/99601	Connector	1
40	945/99580	Special Bolt	2	84	945/99602	Appliance Inlet With Flange	1
41	945/99581	V-belt	1	85	945/99636	Key (8 x 7 x 100)	1
42	945/99582	Belt Guard	1	86	945/99569	Key (6 x 6 x 40)	1
43	945/99583	Bolt	6	87	945/99585	Key (8 x 7 x 35)	1
44	945/99584	Washer Spring	4				

<sup>(1)</sup> Item Number / numéro sur le schéma / número de la ilustración / número da ilustração / afbeeldingsnummer / tegningsnummeret / Teil-Nummer / numero dell'illustrazione

<sup>(2)</sup> Part Number / Numéro de référence de la pièce / número de pieza / número da parte / stuknummer / Styknummer / Nummer auf der Abbildung / numero di parte

<sup>(3)</sup> Description / Désignation / Descripción / Descrição / Omschrijving / Beskrivelse / Bezeichnung / Descrizione

<sup>(4)</sup> Quantity / Quantité / Cantidad / Quantidade / Hoeveelheid / Mengen / Mængde / Quantità



BELLE  
LIGHT  
CONSTRUCTION  
EQUIPMENT

ALTRAD BELLE  
Sheen, Nr. Buxton, Derbyshire, SK17 0EU, GB  
Tel. +44 (0)1298 84606 - Fax +44 (0)1298 84722 - Email: [sales@altrad-belle.com](mailto:sales@altrad-belle.com)  
[www.Altrad-Belle.com](http://www.Altrad-Belle.com)