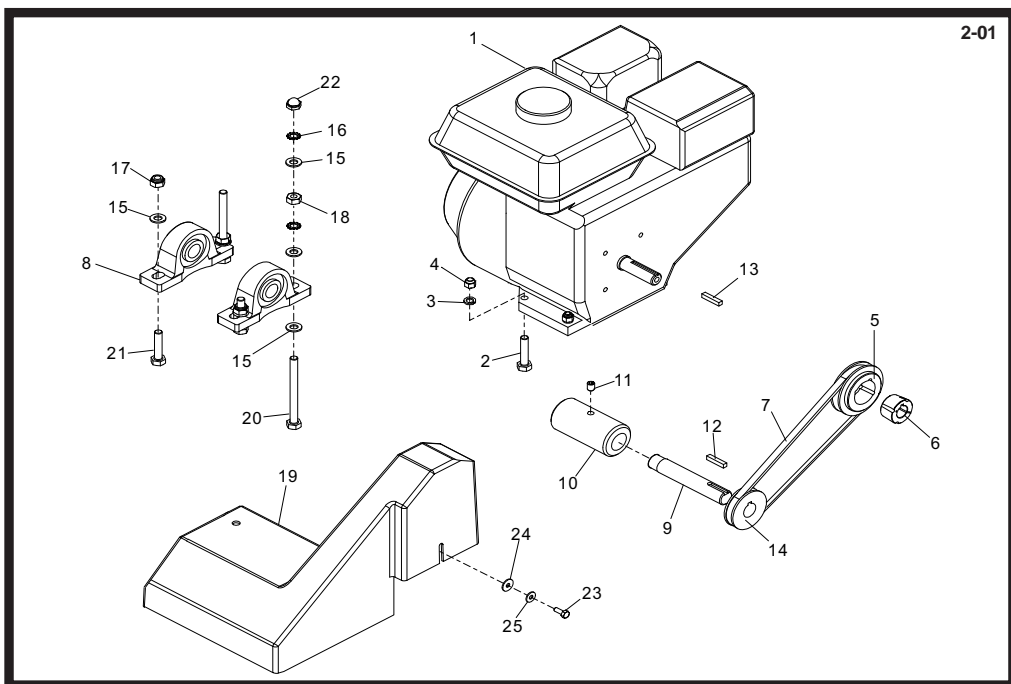


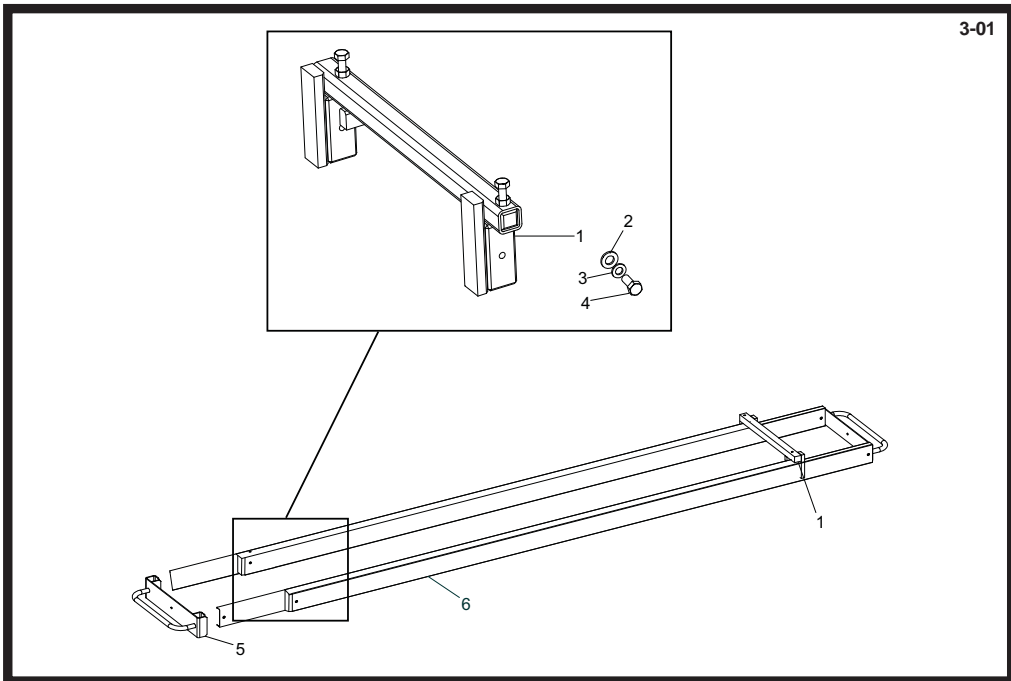
Main Assembly

1	149.0.001 Drive Frame	1
2	21.0.259 Plug - Black	1
3	149.0.018 Beam Clamp Bracket	4
4	00.0.868 Coach Bolt M10 x 100 Square neck	4
5	149.0.034 Clamp Handle	4
6	149.0.039 Engine Bedplate WA	1
7	21.0.216 Anti-Vibration Mounting	4
8	4/8003 Washer M8 spring lock	8
9	8/8001 Nut M8	4
10	7/8008 Setscrew M8 x 16	4
11	151.0.236 Anti Vibration Pad	1
12	21.0.330 Anti-vibration Mountings	4
13	149.0.045 Handle Mounting Plate	2
14	8/10006 Nut - M10 Nyloc	8
15	4/1005 Washer M10 Form A	8
16	8/14006 Nut M14 Nyloc	2
17	151.0.019 Pivot Bolt	2
18	149.0.081 Belt Guard Spacer	1
19	149.3.006 Centre Handle Assy c/w Bushes - Orange	1
19	149.3.007 Centre Handle Assy c/w Bushes - Green (AP)	1
19	149.3.008 Centre Handle Assy c/w Bushes - Yellow (Hewden)	1
19	149.3.009 Centre Handle Assy c/w Bushes - Red	1
19	149.3.010 Centre Handle Assy c/w Bushes - Blue	1
19	149.3.011 Centre Handle Assy c/w Bushes - Green (Hollybush)	1
19	149.3.012 Centre Handle Assy c/w Bushes - Dark Green	1



Drive Assembly

1	20/0038Engine - Honda GX120	1
1	29.1.219Engine - Robin EY20	➔ 149001007102	1
1	20/0056Engine - Robin EX13	➔ 149001007103	1
2	9/8014Bolt M8 x 50	4
3	4/8003Washer M8 Spring lock	4
4	8/8008Nut M8 Nyloc	4
5	10.0.004Drive Pulley	1
6	10.9.036Taperlock Bush	1
7	11.0.085Drive Belt	1
8	12.0.022Bearing	2
9	148061Vibrator Shaft	1
10	148062Vibrator Weight	1
11	03.3.001Grubscrew 3/8" UNF	1
12	06.8.000Key	1
13	06.8.001Engine Key	1
14	148078Vibrator Pulley	1
15	4/1005Washer M10 Form A	12
16	05.2.003Washer M10 Shakeproof	4
17	8/10006Nut M10 Nyloc	2
18	8/10003Nut M10	2
19	941/99904Belt Guard	1
20	02.0.121Setscrew M10 x 120	2
21	02.0.041Setscrew M10 x 50	2
22	01.0.622Dome Nut M10	2
23	02.0.012Setscrew M6 x 16	1
24	05.3.066Repair Washer 1/4" x 3/4"	1
25	05.3.065Washer M6 Shakeproof	1



Extending Beams

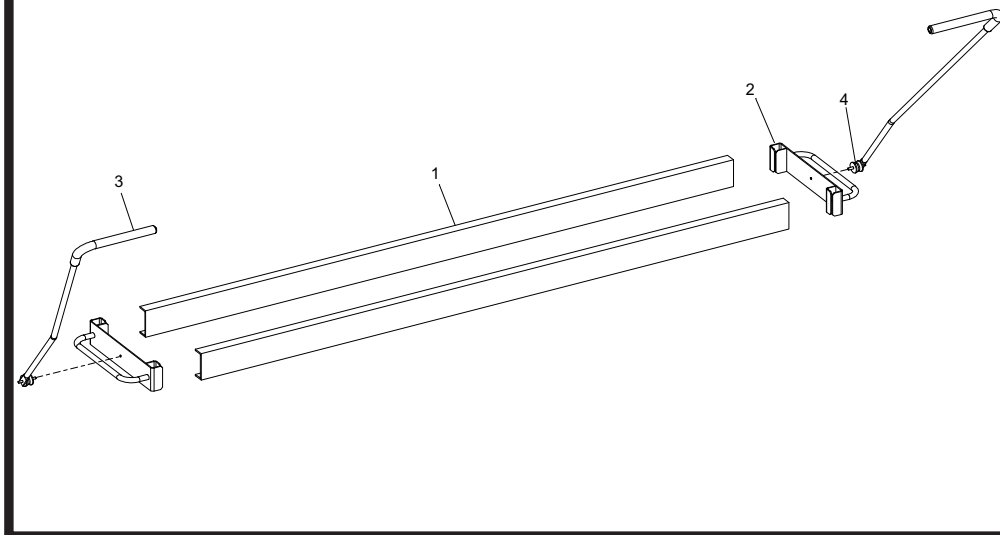
149.3.004Extending Beams Complete	1
-----------	-------------------------------------	---

Beams Complete Comprise of:

1	149.3.019Tie Bar Assembly	2
2	4/1202Washer M12 spring	2
3	4/1204Washer M12	2
4	7/12003Setscrew M12 x 30.....	2
5	149.0.070End Frame WA.....	2
6	36.2.016Aluminium Beams 3.25m	4

Not Shown

00.0.049Bolt M12 x 55	4
4/1204Washer M12	8
8/12006Nut M12 Nyloc	4



Fixed Beams

149.3.020	5.2m Aluminium Beams Complete	1
149.3.021	6.2m Aluminium Beams Complete	1
149.3.022	7.2m Aluminium Beams Complete	1

Beams Complete Comprise of:

1	36.8.031	Aluminium Beams 5.2m (Pair)	1
1	36.8.032	Aluminium Beams 6.2m (Pair)	1
1	36.8.033	Aluminium Beams 7.2m (Pair)	1
2	149.3.003	End Frames Complete (Pair)	1

Each End Frame contains:

149.0.040	End Frame WA	1
02.0.045	Setscrew M10 x 80	2
8/10003	Nut M10	2

Optional Parts:

3	149.0.082S	End Handle - Orange	2
3	149.0.082G	End Handle - Green	2
3	149.0.082Y	End Handle - Yellow (Hewden)	2
3	149.0.082Y2	End Handle - Yellow (Eberle Hald)	2
3	149.0.082Y3	End Handle - Yellow (Loxam)	2
3	149.0.082R	End Handle - Red	2
3	149.0.082B	End Handle - Blue	2
3	149.0.082W	End Handle - White	2
4	21.0.330	Anti Vibration Mountings	2

Optional Parts Not Shown:

8/10006	Nut M10 Nyloc	2
4/1005	Washer M10 Form A	2