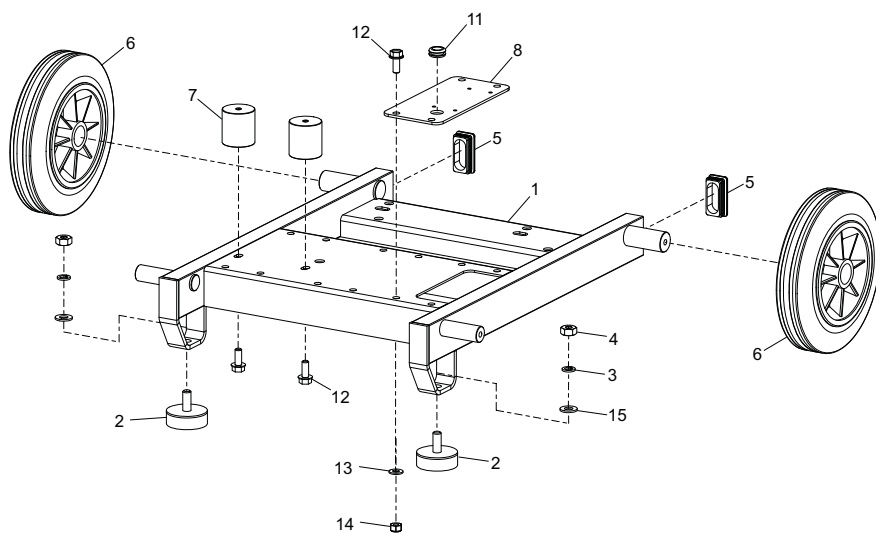


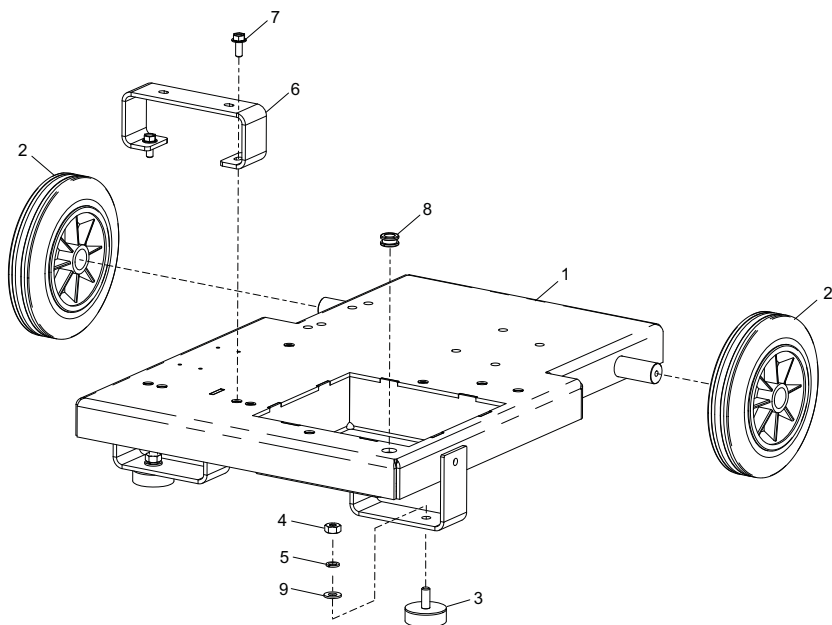
Chassis Assembly - PWX 08/180

1	02500.....	Chassis.....	1
2	00525-B.....	Foot.....	2
3	4/1003.....	Washer.....	M10 2
4	8/10003.....	Nut.....	M10 2
5	02515.....	Boss.....	4
6	02512.....	Guard.....	1
7	7/8037.....	Screw.....	M8 x 20 4
8	4/8006.....	Washer.....	M8 4
9	8/8008.....	Nut.....	M8 4
10	3/3018.....	Grommett.....	1
11	995/99916.....	Support Bracket.....	1
12	4/1005.....	Washer.....	M10 2
13	60/0285.....	Wheel.....	2
18	995/99935.....	Pump Stand.....	2



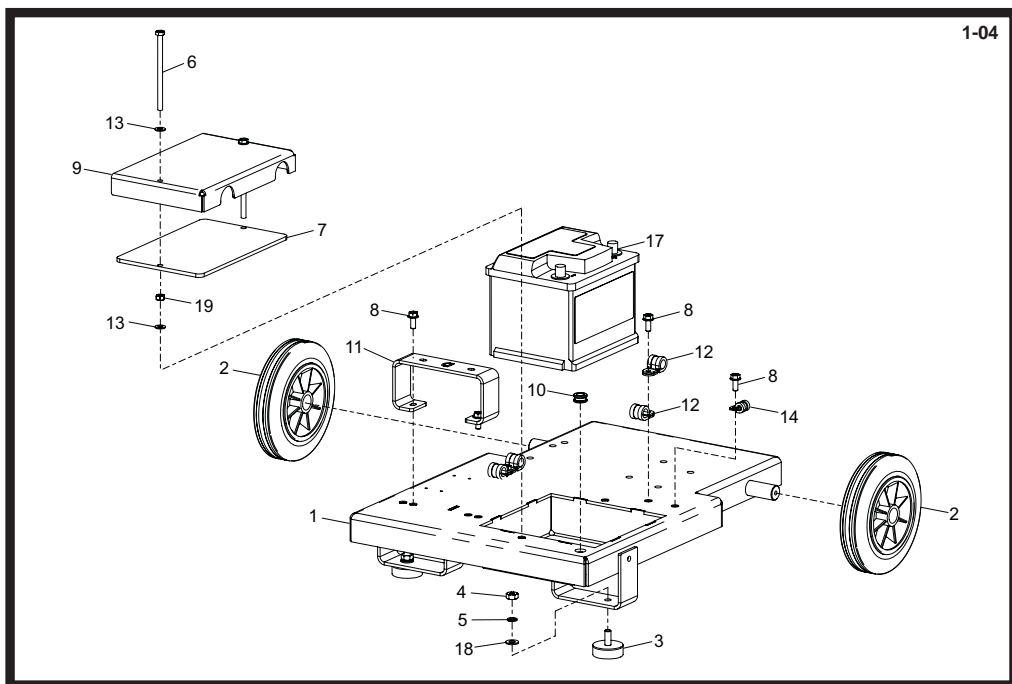
Chassis Assembly - PWX 13/230

1	02369.....	Chassis	1	
2	00525-B.....	Foot	2	
3	4/1003.....	Washer	M10	2
4	8/10003.....	Nut	M10	2
5	00013.....	Bung	2	
6	60/0285.....	Wheel.....	2	
7	995/99931.....	Boss.....	2	
8	995/99930.....	Plate.....	1	
11	3/3018.....	Grommet.....	1	
12	7/8037.....	Screw.....	M8 x 20	6
13	4/8006.....	Washer	M8	4
14	8/8008.....	Nut.....	M8	4
15	4/1005.....	Washer	M10	2



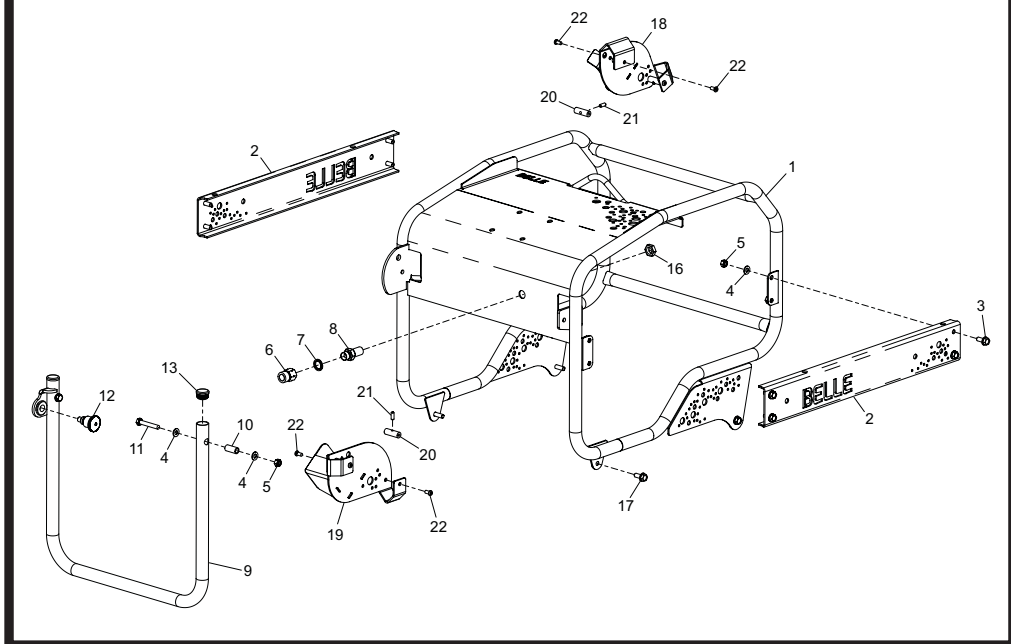
Chassis Assembly - PWX 15/250 Honda

1	995/01500	Chassis	1
2	60/0285	Wheel	2
3	00525-B	Foot	2
4	8/10003	Nut	M10 2
5	4/1003	Washer	M10 2
6	995/99926	Support Bracket	1
7	7/8037	Screw	M8 x 20 2
8	3/3017	Grommet	1
9	4/1005	Washer	M10 2



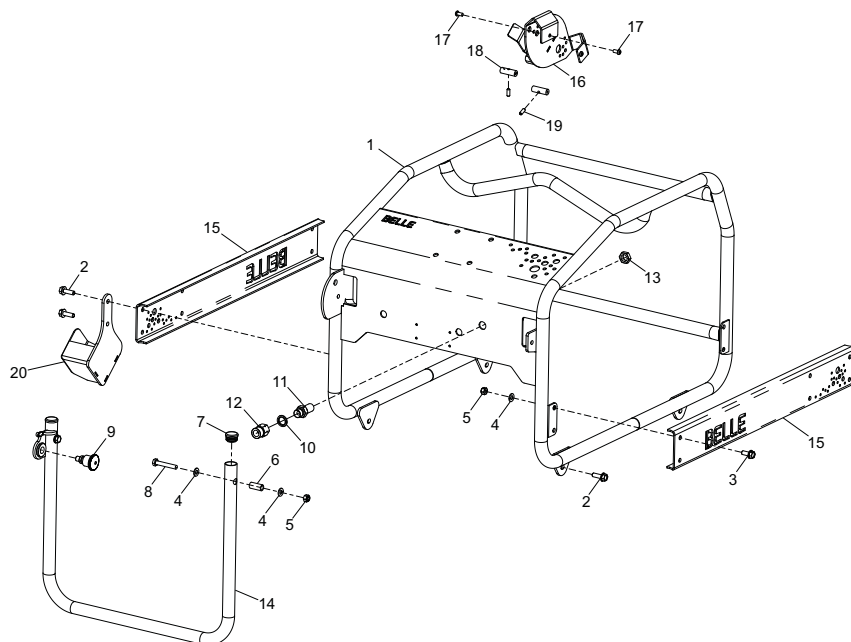
Chassis Assembly - PWX 15/250 Yanmar

1	995/01500	Chassis	1
2	60/0285	Wheel	2
3	00525-B	Foot	2
4	8/10003	Nut	M10 2
5	4/1003	Washer	M10 2
6	7/8100	Screw	M8 x 130 2
7	995/99928	Rubber Mat	1
8	7/8037	Screw	M8 x 20 2
9	995/99927	Battery Cover	1
10	3/3017	Grommet	1
11	995/99925	Support Bracket	1
12	3/7012	'P' Clip	4
13	4/8006	Washer	M8 4
14	900/10200	'P' Clip	1
17	70/0325	Battery	1
18	4/1005	Washer	M10 2
19	8/8001	Nut	M8 1



Frame Assembly - PWX 08/180

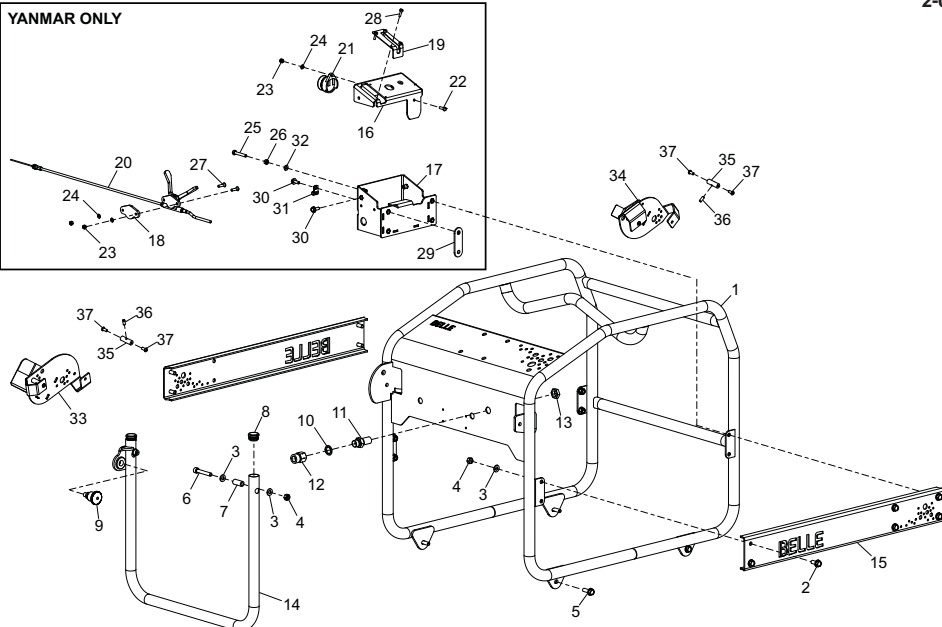
1	995/03000 Frame	1	
2	995/99912S Side Plate - Orange	2	
2	995/99912R1 Side Plate - Red	2	
2	995/99912Y2 Side Plate - Yellow	2	
2	995/99912B1 Side Plate - Blue	2	
2	995/99912G Side Plate - Green	2	
2	995/99912W1 Side Plate - White	2	
3	7/8037 Screw	M8 x 20	8
4	4/8006 Washer	M8	12
5	8/8008 Nut	M8	10
6	6/0284 Adaptor		1
7	5/0007 Seal		1
8	6/0272 Adaptor		1
9	02505 Handle		1
10	02364 Insert		2
11	7/8101 Screw	M8 x 50	2
12	3/0088 Plunger		1
13	3/4032 Plug		2
14	8/3801 Nut		1
16	7/8053 Screw	M8 x 25	4
17	995/01900 Lance Rest		1
18	995/01300 Lance Holster		1
19	995/99917 Boss		4
20	7/6076 Grubscrew	M6 x 12	4
21	7/6075 Screw	M6 x 12	8



Frame Assembly - PWX 13/230

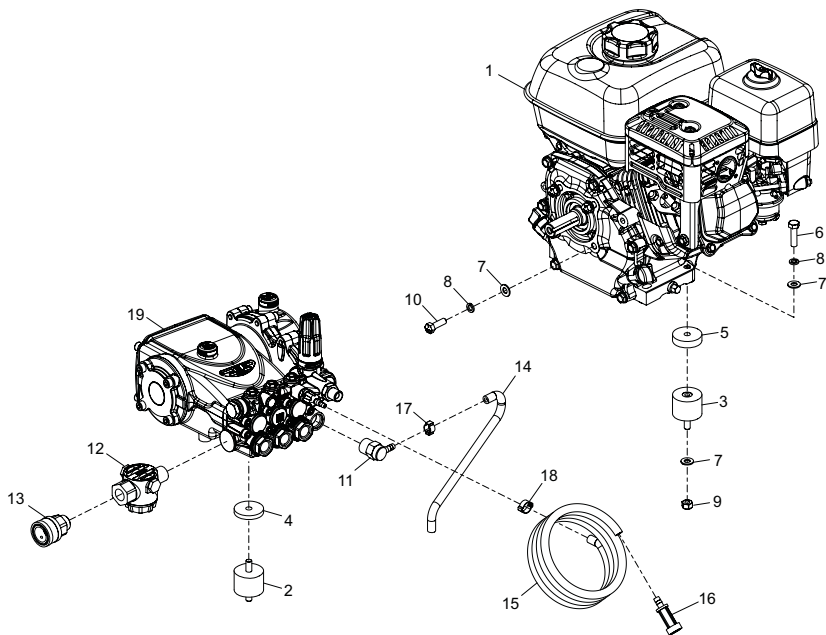
1	995/03100.....	Frame	1	
2	7/8053.....	Screw.....	M8 x 25.....	6
3	7/8037.....	Screw.....	M8 x 20.....	6
4	4/8006.....	Washer.....	M8.....	12
5	8/8008.....	Nut.....	M8.....	10
6	02364.....	Insert.....		2
7	3/4035.....	Plug.....		2
8	7/8101.....	Screw.....	M8 x 50.....	2
9	3/0088.....	Plunger.....		1
10	5/0007.....	Seal.....		1
11	6/0272.....	Adaptor.....		1
12	6/0284.....	Adaptor.....		1
13	8/3801.....	Nut.....		1
14	02399.....	Latch.....		1
15	995/99913S.....	Side Plate - Orange.....		2
15	995/99913R1.....	Side Plate - Red.....		2
15	995/99913Y2.....	Side Plate - Yellow.....		2
15	995/99913B1.....	Side Plate - Blue.....		2
15	995/99913G.....	Side Plate - Green.....		2
15	995/99913W1.....	Side Plate - White.....		2
16	995/01900.....	Lance Rest.....		1
17	7/6075.....	Screw.....	M6 x 12.....	4
18	995/99917.....	Boss.....		2
19	7/6076.....	Grubscrew.....	M6 x 12.....	2
20	995/03200.....	Lance Holster.....		1

YANMAR ONLY



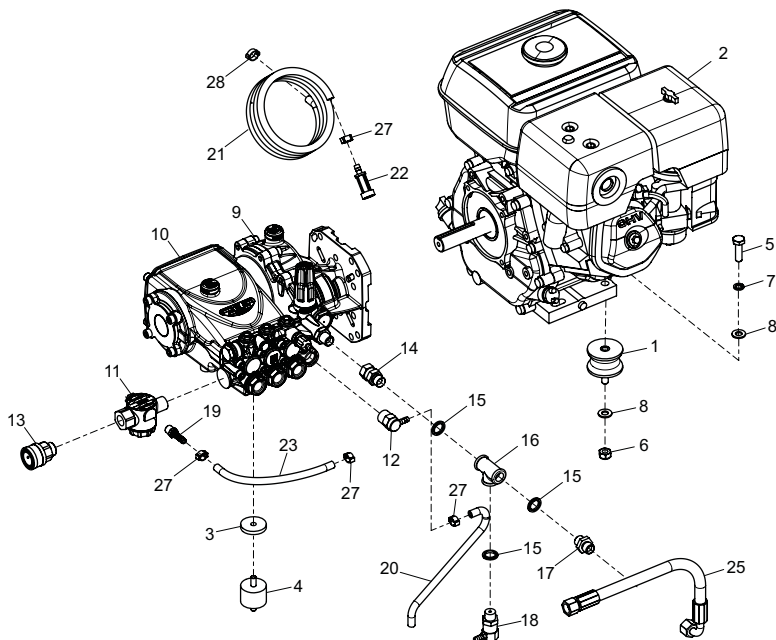
Frame Assembly - PWX 15/250

1	996/01100.....	Frame	1	
2	7/8037.....	Screw.....	M8 x 20.....	10
3	4/8006.....	Washer.....	M8.....	10
4	8/8008.....	Nut.....	M8.....	8
5	7/8053.....	Screw.....	M8 x 25.....	4
6	7/8101.....	Screw.....	M8 x 50.....	2
7	02364.....	Insert.....		2
8	3/4035.....	Plug.....		2
9	3/0088.....	Plunger.....		1
10	5/0007.....	Seal.....		1
11	6/0272.....	Adaptor.....		1
12	6/0284.....	Adaptor.....		1
13	8/3801.....	Nut.....		1
14	02399.....	Latch.....		1
15	995/99913S.....	Side Plate - Orange.....		2
15	995/99913R1.....	Side Plate - Red.....		2
15	995/99913Y2.....	Side Plate - Yellow.....		2
15	995/99913B1.....	Side Plate - Blue.....		2
15	995/99913G.....	Side Plate - Green.....		2
15	995/99913W1.....	Side Plate - White.....		2
16	995/99920.....	Starter Box Lid.....		1
17	995/01700.....	Starter Box.....		1
18	995/99922.....	Spacer Plate.....		1
19	995/99921.....	Throttle Plate.....		1
20	995/02300.....	Throttle Lever Assembly.....		1
21	70/0267.....	Buzzer.....		1
22	7/5024.....	Screw.....	M6 x 30.....	1
23	8/5003.....	Nut.....	M5.....	3
24	4/5005.....	Washer.....		3
25	7/6078.....	Screw.....	M6 x 30.....	1
26	8/6001.....	Nut.....	M6.....	1
27	7/5010.....	Screw.....	M5 x 10.....	2
28	7/4003.....	Screw.....	M4 x 16.....	4
29	995/99923.....	Spacer Plate.....		1
30	7/6034.....	Screw.....	M6 x 14.....	3
31	3/7055.....	P-Clip.....		1
32	4/6001.....	Washer.....	M6.....	1
33	995/01300.....	Lance Holster.....		1
34	995/01900.....	Lance Rest.....		1
35	995/99917.....	Boss.....		4
36	7/6076.....	Grubscrew.....	M6 x 12.....	4
37	7/6075.....	Screw.....	M6 x 12.....	8



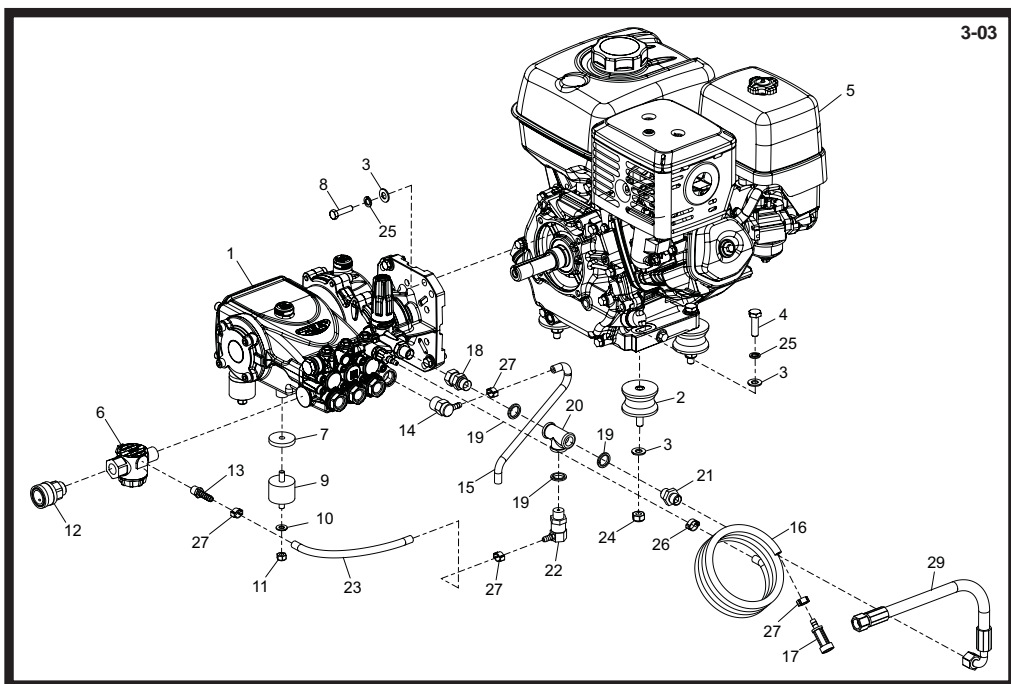
Engine, Gearbox & Pump Assembly - PWX 08/180

1	20/0135.....	Engine.....	GX200	1
2	21/0438.....	Anti Vibration Mount		2
3	21.0.216.....	Anti Vibration Mount		2
4	4/8023.....	Washer	M8 x 40 x 6.....	2
5	4/8024.....	Washer	M8 x 40 x 10.....	2
6	7/8009.....	Bolt.....	M8 x 30.....	2
7	4/8006.....	Washer	M8	8
8	4/8003.....	Washer	M8	6
9	8/8008.....	Nut.....	M8	2
10	02.3.020.....	Screw.....		4
11	6/0282.....	Thermal Relief Valve		1
12	6/5023.....	Water Filter		1
13	6/0283.....	Coupling.....		1
14	30/0090.....	Hose		1
15	30/0090.....	Hose		1
16	6/5025.....	Deturgent Strainer Filter		1
17	15.0.063.....	Hose Clip.....		2
18	3/7063.....	O Clip.....		1
19	6/1158.....	Pump		1



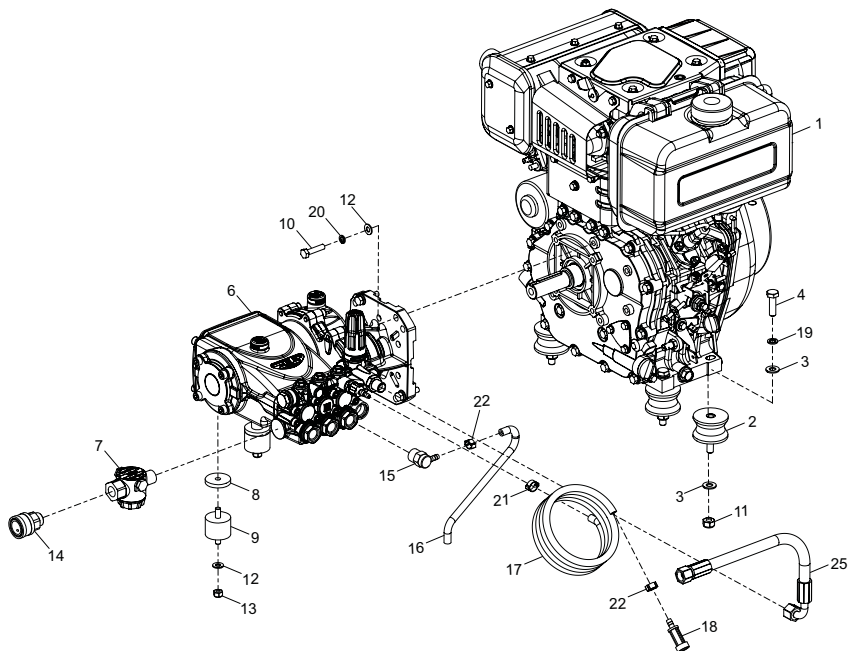
Engine, Gearbox & Pump Assembly - PWX 13/230

1	21.0.292	Anti Vibration Mount	2
2	20/0076	Engine GX240	1
3	4/8023	Washer M8	2
4	21/0438	Anti Vibration Mount	2
5	7/10003	Screw M10 x 35	2
6	8/10006	Nut M10	2
7	4/1003	Washer M10	2
8	4/1005	Washer M10	4
9			
10	6/1157	Pump	1
11	6/5023	Water Filter	1
12	6/0282	Thermal Relief Valve	1
13	6/0283	Inlet Coupling	1
14	6/0288	Adaptor	1
15	5/0007	Seal	3
16	6/0285	Adaptor	1
17	6/0011	Adaptor	1
18	6/0286	Valve	1
19	6/0266	Hosetail	1
20	30/0090	Hose	1
21	30/0090	Hose	1
22	6/5025	Detergent Strainer Filter	1
23	30/0090	Hose	1
25	31/0145	Hydraulic Hose	1
27	15.0.063	Hose Clip	4
28	3/7063	O Clip	1



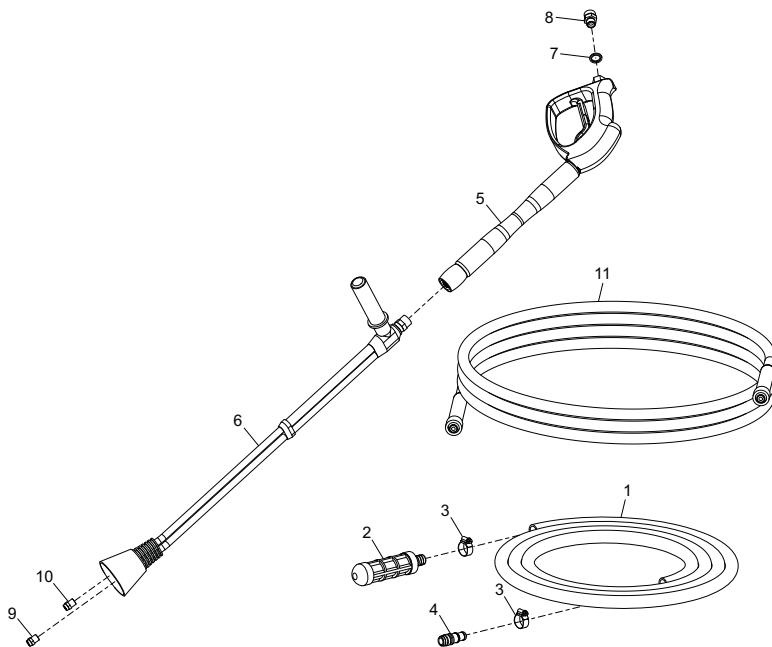
Engine, Gearbox & Pump Assembly - PWX 15/250 Honda

1	6/1157 Pump	1
2	21.0.292 Anti Vibration Mount	4
3	4/1005 WasherM10	12
4	7/10003 Screw.....M10 x 35.....	4
5	20/0077 Engine.....GX240	1
6	6/5023 Water Filter.....	1
7	4/8023 Washer.....M8 x 40 x 6.....	2
8	7/3817 Screw.....	4
9	21/0438 Anti Vibration Mount	2
10	4/8006 Washer.....M8.....	2
11	8/8008 Nut.....M8.....	2
12	6/0283 Coupling.....	1
13	6/0266 Hosetail.....	1
14	6/0282 Thermal Relief Valve	1
15	30/0090 Hose.....	1
16	30/0090 Hose.....	1
17	6/5025 Detergent Strainer Filter	1
18	6/0288 Adaptor.....	1
19	5/0007 Seal.....	3
20	6/0285 Adaptor.....	1
21	6/0011 Adaptor.....	1
22	6/0286 Easy Start Valve.....	1
23	30/0090 Hose.....	1
24	8/10006 Nut.....M10.....	4
25	4/1003 Washer.....M10.....	8
26	3/7063 O Clip.....	1
27	15.0.063 Hose Clip.....	4
29	31/0145 Hydraulic Hose.....	1



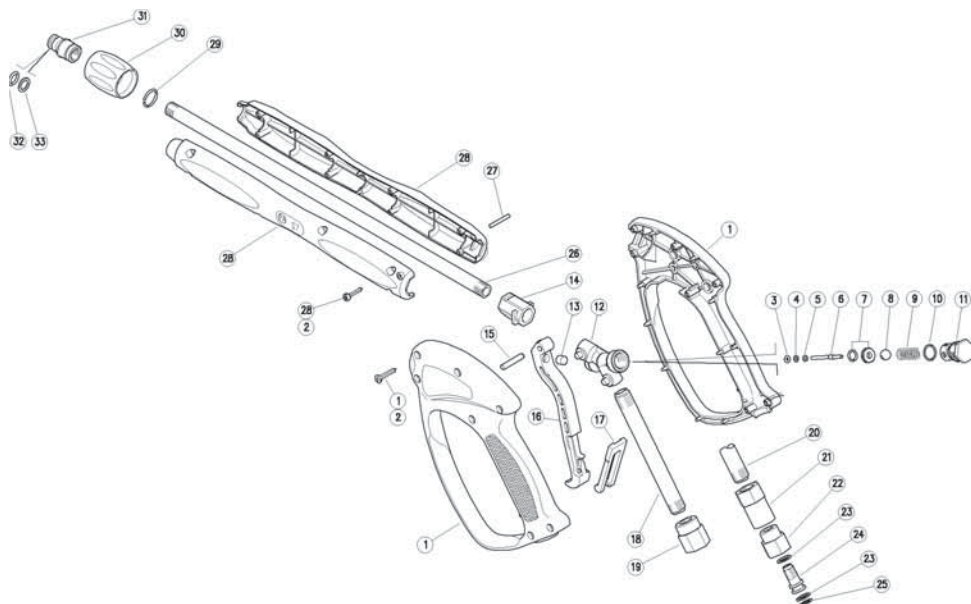
Engine, Gearbox & Pump Assembly - PWX 15/250 Yanmar

1	20/0111.....	Engine.....	Yanmar L100.....	1
2	21.0.292.....	Anti Vibration Mount.....	4
3	4/1005.....	Washer.....	.M10.....	8
4	7/10003.....	Screw.....	.M10 x 35.....	4
6	6/1157.....	Pump.....	1
7	6/5023.....	Water Filter.....	1
8	4/8023.....	Washer.....	.M8 x 40 x 6.....	2
9	21/0438.....	Anti Vibration Mount.....	2
10	7/8007.....	Bolt.....	.M8 x 35.....	4
11	8/10006.....	Nut.....	.M10.....	4
12	4/8006.....	Washer.....	.M8.....	6
13	8/8008.....	Nut.....	.M8.....	2
14	6/0283.....	Inlet Coupling.....	1
15	6/0282.....	Thermal Relief Valve.....	1
16	30/0090.....	Hose.....	1
17	30/0090.....	Hose.....	1
18	6/5025.....	Detergent Strainer Filter.....	1
19	4/1003.....	Washer.....	.M10.....	4
20	4/8003.....	Washer.....	.M8.....	4
21	3/7063.....	O Clip.....	1
22	15.0.063.....	Hose Clip.....	2
25	31/0145.....	Hydraulic Hose.....	1



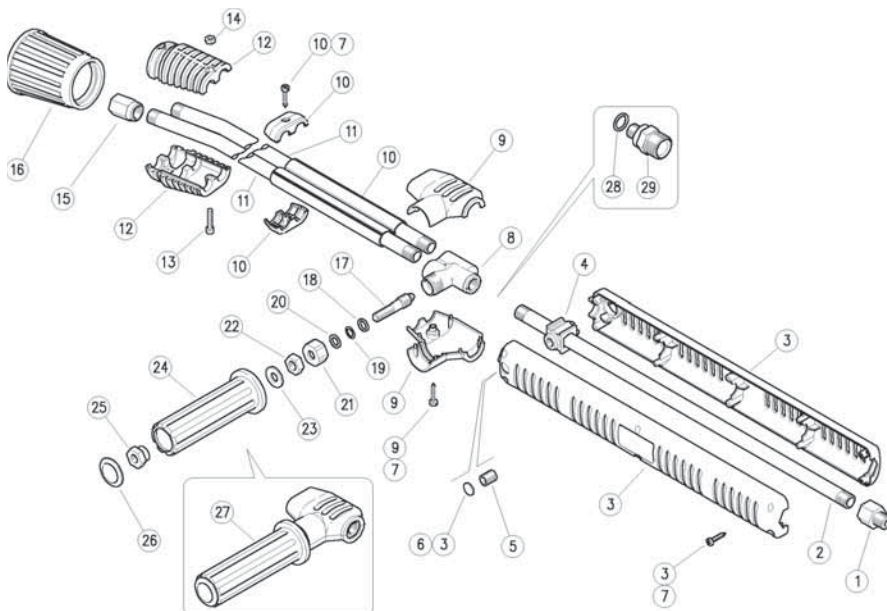
Lance & Hoses

1	34/0051 Hose	1
2	6/5024 Water Suction Filter	1
3	3/7066 Jubilee Clip	2
4	6/0287 Hose Barb	1
5	995/02201 Lance Trigger	1
6	995/02202 Lance Barrel	1
7	5/0007 Seal	1
8	6/0290 Adaptor	1
9	6/0293 Chemical Nozzle	1
10	6/0292 Pressure Nozzle	PWX 08/180
10	6/0291 Pressure Nozzle	PWX 13/230
10	6/0291 Pressure Nozzle	PWX 15/250
11	31/0146 High Pressure Hose	1



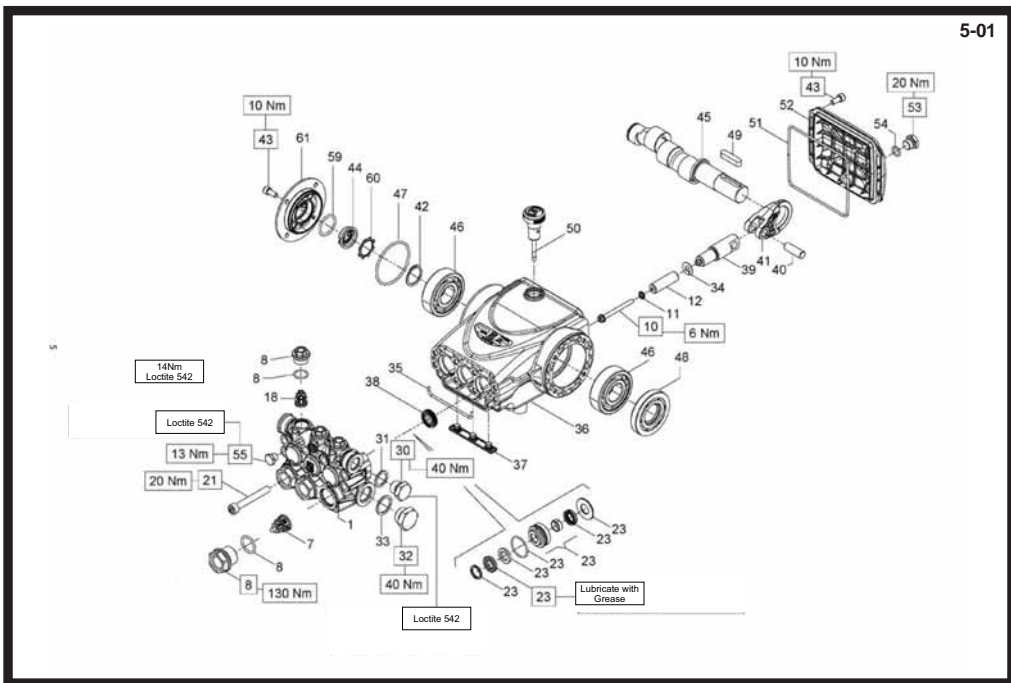
Lance Assembly - Handle End

1	30.1207.24	Handle Case Kit	1
2	16.3077.00	Screw	13
3	10.4018.00	Back-Up Ring	1
4	10.3165.00	O-Ring	1
5	14.3511.00	Washer	1
6	30.0704.51	Piston	1
7	30.1708.20	Seal & O-Ring Kit	1
8	14.7448.00	Ball	1
9	30.2596.51	Spring	1
10	10.3020.02	O-Ring	1
11	30.2595.31	Spring Plug	1
12	30.1205.35	Connector	1
13	30.0675.84	Stop Pin	1
14	30.4554.84	Adapter	1
15	30.2517.31	Pin	1
16	30.1204.84	Trigger	1
17	30.1510.84	Safety Latch	1
18	30.1203.66	Tube	1
19	30.1206.31	Coupling	1
20	30.1221.66	Tube	1
21	30.1222.31	Adaptor	1
22	30.2019.31	Coupling	1
23	10.4010.01	Back-Up Ring	2
24	30.2017.51	Pin	1
25	10.3109.95	O-Ring	1
26	30.1282.66	Tube	1
27	15.1046.00	Pin	1
28	40.4003.24	Lance Casing Kit	1
29	26.0252.51	Snap Ring	1
30	30.1286.22	Nut	M22
31	26.0261.31	pLUG	14mm
32	10.3109.95	O-Ring	1
33	10.4010.01	Back-Up Ring	1
-	30.1554.24	Repair Kit (Inc. Items 3, 4, 5, 6, 7, 8, 10, 23 & 25)	1



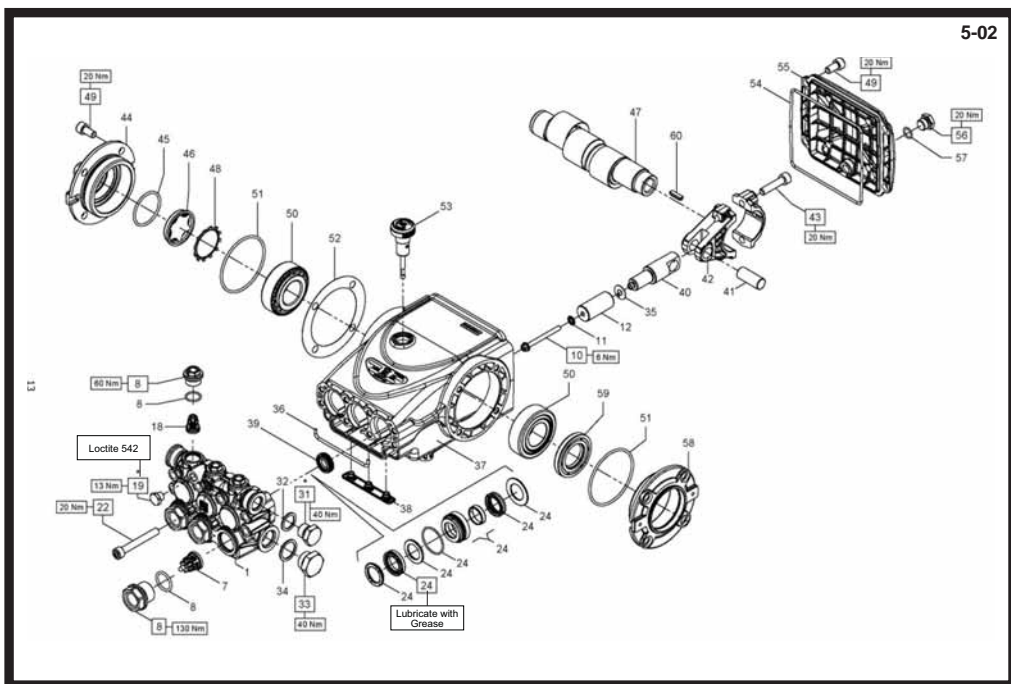
Lance Assembly - Nozzle End

1	40.5008.31 Fitting.....	1
2	40.0315.56 Tube.....	1
3	40.0308.24 Upper Barrel Casing Kit.....	1
4	40.0304.84 Tube Fastener.....	1
5	16.2230.00 Screw..... M10 x 8.....	1
6	40.0303.84 Plug.....	1
7	16.3077.00 Screw.....	8
8	41.0401.35 Valve Housing.....	1
9	41.0424.24 Lower Barrel Casing Kit.....	1
10	41.0820.24 Clamp Kit.....	1
11	40.7711.56 Tube.....	1
12	41.0416.84 Lower Casing.....	2
13	16.1855.00 Screw..... M4 x 20.....	2
14	11.4513.05 Nut..... M4.....	2
15	40.0007.61 Nozzle Holder.....	2
16	41.0418.81 Nozzle Protector.....	1
17	41.0405.51 Shutter.....	1
18	14.3643.00 Washer.....	1
19	10.3170.00 O-Ring.....	1
20	10.4020.00 Back-Up Ring.....	1
21	41.0408.31 Nut..... M18.....	1
22	11.4574.00 Nut..... M8.....	1
23	14.3572.00 Washer.....	1
24	41.0409.84 Knob.....	1
25	41.0410.31 Nut..... M8.....	1
26	41.0411.84 Plug.....	1
27	41.0906.24 Valve Kit.....	1
28	14.3913.17 Washer.....	1
29	26.1020.31 Adaptor.....	1
-	41.0422.24 Spares Kit (Inc. Items 12, 13, 14 & 16).....	1
-	41.0423.24 Spares Kit (Inc. Items 17 - 28).....	1



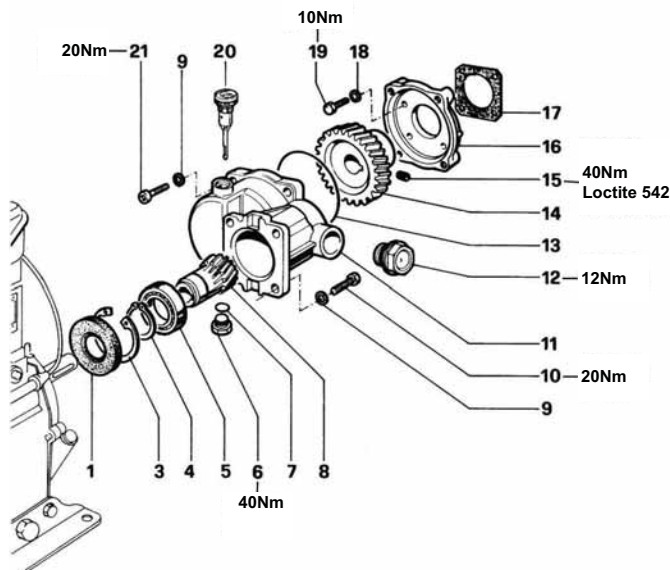
Pump Assembly - PXW 08/180 & PWX 13/230

1	58.1205.41	Pump Head.....	1
7	36.7115.01	Suction Valve Assembly.....	1
8	E2B1713 KIT 270	Seals & Plugs Kit.....	1
10	99.1690.00	Screw.....	M5 x 55.....3
11	96.6905.00	Washer.....	M5.....3
12	58.0402.09	Piston.....	Dia 18mm.....3
18	36.7193.01	Delivery Valve Assembly.....	3
21	99.3175.00	Screw.....	M8 x 60.....8
23	E2B1713 KIT 277	Bush Kit.....	1
30	98.2100.00	Blanking Plug.....	3/8" x 13.....1
31	96.7380.00	Seal Washer.....	17.5 x 23 x 1.5.....1
32	98.2176.00	Blanking Plug.....	1/2" x 10.....1
33	96.7514.00	Seal Washer.....	21.5 x 27 x 1.5.....1
34	96.6990.00	Seal Washer.....	7.5 x 23 x 0.5.....3
35	58.2105.82	Seal / Gaskey.....	3 x 94.....1
36	58.0100.22	Pump Housing.....	1
37	58.2104.51	Cover.....	1
38	E2B1713 KIT 271	Ring.....	15 x 24 x 5/7.....3
39	58.0500.66	Piston Guide.....	Dia 18mm.....3
40	97.7340.00	Dowel Pin.....	10 x 29.5.....3
41	58.0300.22	Rod.....	10 x 29.5.....3
42	90.0635.00	Circlip.....	Dia 25.....1
43	99.1837.00	Screw.....	M6 x 14.....8
44	70.2118.01	Oil Level Sight Glass.....	1
45	63.0216.35	Cam Shaft.....	1
46	91.8331.00	Ball Bearing.....	6305.....2
47	90.3898.00	O-Ring.....	1
48	90.1641.00	Ring.....	Dia 25 x 62 x 10.....1
49	91.4892.00	Key.....	8 x 7 x 35.....1
50	98.2103.00	Dipstick.....	3/8" x 51.....1
51	90.3925.50	O-Ring.....	113.97 x 2.62.....1
52	58.1600.22	Rear Cover.....	1
53	98.2042.50	Blanking Plug.....	1
54	90.3585.00	O-Ring.....	Dia 10.82 x 1.78.....1
55	98.1966.00	Plug.....	1



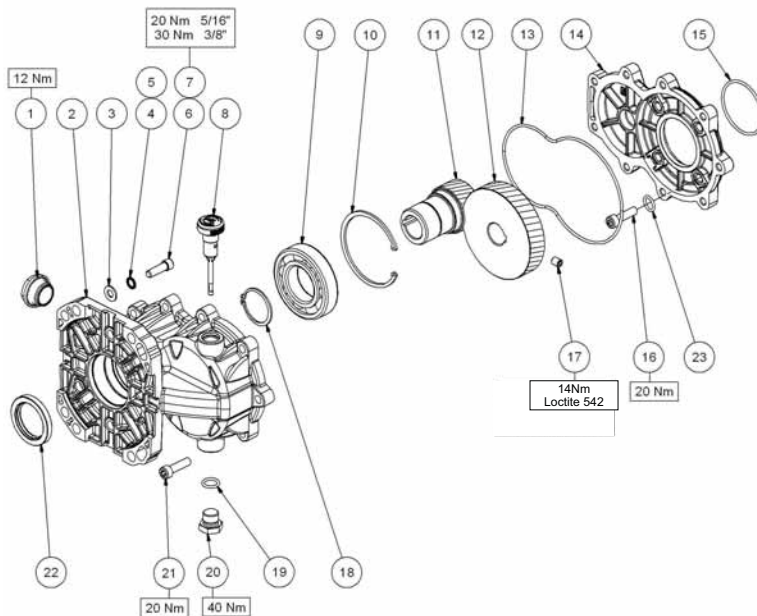
Pump Assembly - PXW 15/250

1	59.1208.41	Pump Head	1	
7	36.7115.01	Suction Valve Assembly	3	
8	E3B2515 KIT 292	Seals & Plugs Kit	1	
10	99.1690.00	Screw	M5 x 55	3
11	96.6905.00	Washer	M5	3
12	59.0400.09	Piston	1	
18	36.7193.01	Delivery Valve Assembly	3	
19	98.1967.00	Plug	1/8" x 8	1
22	99.3175.00	Screw	M8 x 60	8
31	98.2099.00	Blanking Plug	3/8" x 13	1
32	96.7380.00	Seal Washer	17.5 x 23 x 1.5	1
33	98.2179.00	Blanking Plug	1/2" x 10	1
34	96.7514.00	Seal Washer	21.5 x 27 x 1.5	1
35	96.6990.00	Seal Washer	7.5 x 23 x 0.5	1
36	59.2110.82	Sponge Gasket	Dia 3 x 103	1
37	59.0100.22	Pump Housing	1	
38	58.2104.51	Cover	1	
39	90.1565.50	Ring	15 x 24 x 5/7	3
40	59.0500.66	Piston Guide	1	
41	97.7399.00	Dowel Pin	14 x 34	3
42	59.0300.01	Complete Connecting Rod	3	
43	99.3099.00	Screw	M8 x 35	6
44	47.1512.22	Lateral Side Cover	1	
45	90.3877.00	O-Ring	1	
46	70.2118.01	Oil Level Sight Glass	1	
47	59.0203.35	Shaft	1	
48	90.0756.00	Circlip	Dia 45	1
49	90.3039.00	Screw	M8 x 16	8
50	91.8375.00	Roller Bearing	2	
51	90.3913.00	O-Ring	2	
52	97.5680.00	Gasket	Dia 74.5 x 104 x 0.3	1
53	98.2105.00	Dipstick	3/8" x 51	1
54	90.3922.00	O-Ring	133.02 x 2.62	1
55	59.1600.22	Rear Cover	1	
56	98.2042.50	Blanking Plug	1	
57	90.3585.00	O-Ring	10.8 x 1.78	1
58	47.1510.22	Lateral Cover	1	
59	90.1648.00	Ring	30 x 55 x 4	1
60	91.4685.00	Key	1	



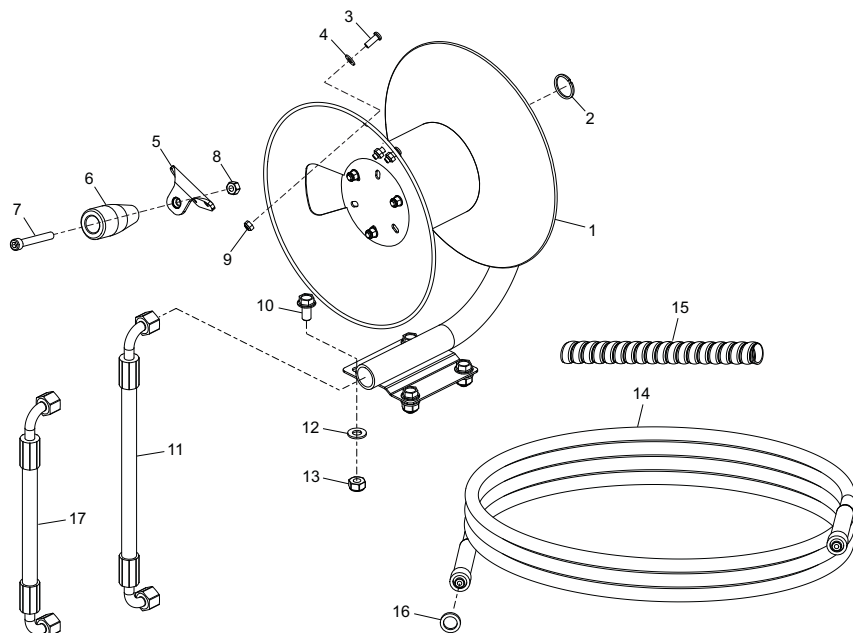
Gearbox Assembly - PXW 08/180 & PWX 13/230

1	90.1674.00	Ring	∅ 35 x 65 x 10	1
3	90.0850.00	Ring	∅ 62 UNI 7437	1
4	90.0695.00	Ring	∅ 35 UNI 7435	1
5	91.8464.00	Ball Bearing	6007	1
6	98.2100.00	Blanking Plug	3/8 x 13	1
7	90.3833.00	O-Ring	∅ 13.95 x 2.62	1
8	10.0205.55	Gear	1
9	96.7014.00	Washer	∅ 8.4	8
10	99.2740.00	Screw	5/16"-24 UNF x7/8"	4
11	10.0203.22	Gearbox Casting	1
12	97.5968.00	Plug	1
13	90.4141.00	O-Ring	∅ 85.32 x 3.53	1
14	10.0206.55	Gear	1
15	99.3017.00	Screw	M8 x 10 UNI 5939	1
16	10.0204.22	Gearbox End Cap	1
17	10.0207.84	Gasket	1
18	96.6938.00	Washer	∅ 6.4	4
19	99.1882.00	Screw	M6 x 20 UNI 5739	4
20	98.2103.00	Dipstick	1
21	99.3084.00	Screw	M8 x 30 UNI 5931	4



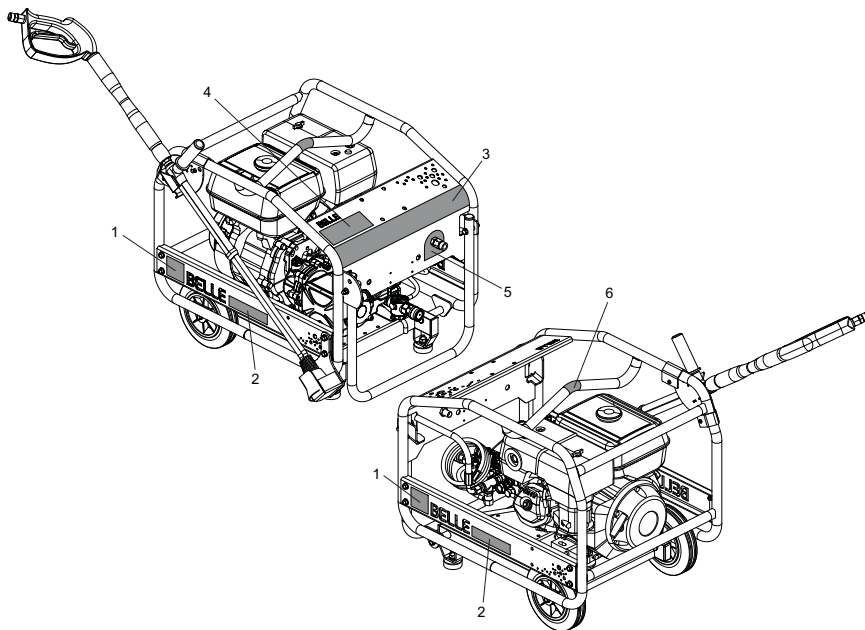
Gearbox Assembly - PXW 15/250

1	97.5968.00	Gasket	74.5 x 104 x 0.3	1
2	10.0756.22	Gearbox Casting		1
3	96.7020.00	Washer	8.4 x 15 x 1.5	4
4	96.7014.00	Washer	8.4	4
5	96.7104.00	Washer	10.5	4
6	99.2755.00	Screw	5/16 -24 x 1"	4
7	99.3346.00	Screw	3/8 -16 x 1-1/4"	4
8	98.2105.00	Dipstick		1
9	91.8520.00	Ball Bearing	6208	1
10	90.0976.00	Circlip	Dia 80	1
11	10.0233.55	Gear		1
12	10.0234.55	Gear		1
13	90.3807.00	O-Ring		1
14	10.0757.22	Gearbox Cover		1
15	90.3898.00	O-Ring	56.82 x 2.62	1
16	99.3085.00	Screw	M8 x 30	4
17	99.3017.00	Screw	M8 x 10	1
18	90.0725.00	Circlip	Dia 40	1
19	90.3833.00	O-Ring	13.95 x 2.62	1
20	98.2100.00	Blanking Plug	3/8" x 13	1
21	99.3084.00	Screw	M8 x 30	9
22	90.1680.00	Ring	40 x 55 x 7	1
23	90.3507.00	O-Ring	6 x 1.5	4



Hose Reel

1	39/1349	Hose Reel	1
2	2/0010	Split Ring	1
3	7/6046	Screw	M6 x 16
4	4/6007	Washer	M6
5	995/02400	Bracket	1
6	995/99932	Handle	1
7	7/8024	Screw	M8 x 60
8	8/8008	Nut	M8
9	8/6007	Nut	M6
10	7/10039	Screw	M10 x 20
11	31/0147	Hose	1
12	4/1005	Washer	M10
13	8/10006	Nut	M10
14	31/0148	Hydraulic Hose	1
15	3/4112	Spiral Wrap	1
16	5/0007	Seal	1
17	31/0145	Hose	PWX 08/10



Decals

1	800/99318.....	Decal.....	2	
2	800/99335.....	Decal.....	PWX 08/180.....	2
2	800/99336.....	Decal.....	PWX 13/230.....	2
2	800/99337.....	Decal.....	PWX 15/250.....	2
3	800/99349.....	Decal.....	PWX 08/180.....	1
3	800/99350.....	Decal.....	PWX 13/230.....	1
3	800/99351.....	Decal.....	PWX 15/250.....	1
4	800/99377.....	Decal.....	1
5	900/99352.....	Decal.....	1
6	800/99334.....	Decal.....	1