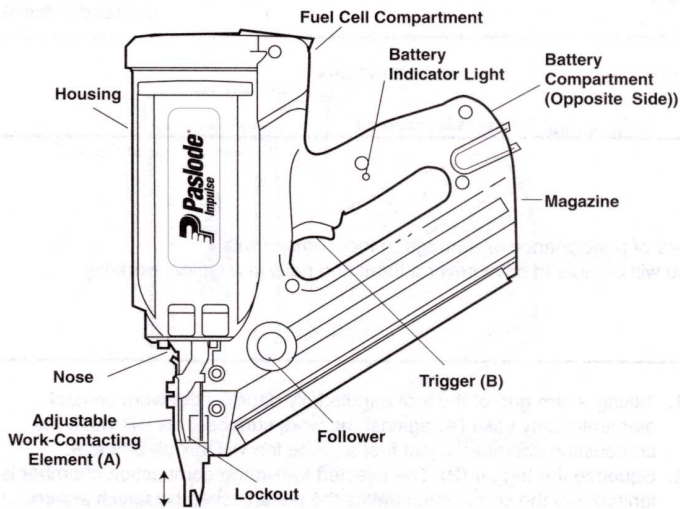


OPERATING MANUAL FOR IMPULSE CT CORDLESS NAILER

Addition to the General Safety Manual for Internal Combustion Fastener Driving Tools

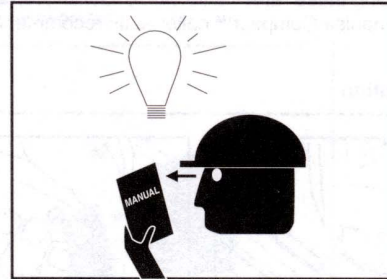
1. Before using the Tool



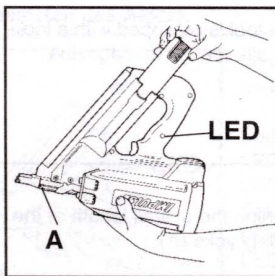
Read safety and operating manuals. Only use the tool when all instructions are understood. Check work contact element/safety yoke (A) for smooth operation.

Use only for timber to timber fixings or material of similar or lesser density.

Attention: This tool must not be used in a combustible environment.



2. Battery Loading



Load Impulse battery cell with contacts facing downwards into the battery compartment. Press firmly until battery locking clip is engaged. To remove battery press the locking clip on the battery and slide battery out of its compartment.

LED in Handle of Tool:

LED strobe light green > Battery in tool. (Does not indicate state of charge)

LED strobe light red > Battery is empty, recharge battery!

When work contact element (A) is depressed against workpiece:

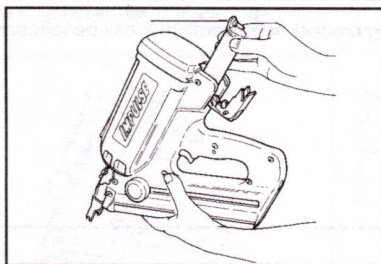
LED solid green > Battery charge ready for use.

LED solid red > Battery empty. Recharge!

To recharge battery read charging instructions.

Battery contacts must be clean and free from corrosion; if necessary clean with fine emery cloth.

3. Loading Fuel Cell

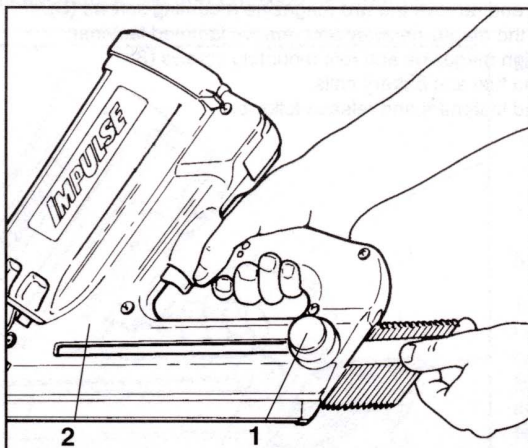


Prior to loading fuel cell ensure that the cell protective cap has been removed as detailed in the safety manual. For the Impulse CT nailer use fuel cells with the red ring on metering valve.

To load fuel:-

1. Open the cover of the fuel cell compartment by pressing inwards and lifting.
2. Insert fuel cell into fuel compartment and locate the stem of the metering valve into the orifice in the red adaptor.
3. Close the cover of the fuel compartment, taking care not to disturb the alignment of the fuel cell.

4. Fastener Loading, Reloading and Removal



To load Fasteners:

1. Pull back the follower (1) until it reaches the locked position at the end of the magazine.
2. Insert Paslode fasteners selected from technical specification sheet into the slot at the rear of the magazine.
The fasteners will slide freely into the tool.
3. Release the follower lock by depressing centre button on the follower and gently allow the follower to push the fastener strip forward to the correct firing position.
Do not allow the follower to spring forward against the fastener strip otherwise collation may be damaged.
4. Reload tool when centre button has reached "reload" arrow (2) or lock-out mechanism is activated.
5. To unload fasteners again pull back follower to the locked position and simply slide out fasteners.

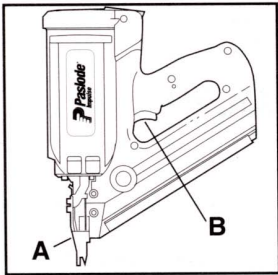
Note: 1) Do not depress trigger when loading or unloading fasteners.

2) The lockout mechanism is activated when approx. 5 nails remain in magazine.

To remove these refer to point 5 above.

With fasteners, Battery and Fuel Cells loaded the Tool is now ready for use.

5. Trigger System



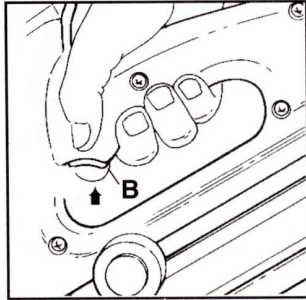
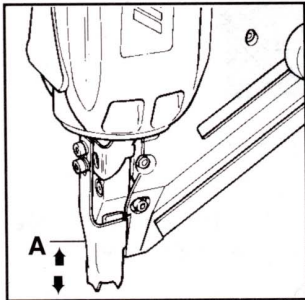
The Impulse CT nailer is equipped with a full sequential actuation (trigger) system for safety. For each operation the work contacting element (A) and trigger (B) must be actuated. For operation press work contacting element (A) on workpiece and squeeze trigger (B) for release of nail. Thereafter any further driving operations can only be actuated if the trigger (B) and work contacting element (A) have been returned to the starting position.

6. Cycle Rate

Intermittent Operation - 2 to 3 nails per second
 Continuous Operation - 1000 nails per hour

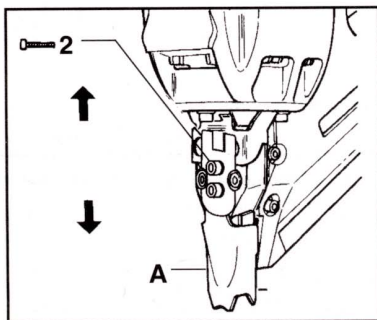
NOTE: Exceeding these rates could cause tool to overheat, resulting in loss of performance or damage to tool components. By using the Impulse Compact™ nailer at its recommended cycle rate, you will be able to drive several thousand nails in a typical workday.

7. Tool Operation



1. Taking a firm grip of the tool handle fully depress the work contact element/safety yoke (A) against the work surface. This will close the combustion chamber, inject fuel and the fan will mix air and fuel.
2. Squeeze the trigger (B). The injected fuel in the combustion chamber is ignited and the combustion drives the piston assembly which in turn drives the fastener.
3. Release trigger and lift tool. Combustion chamber opens, fan cools tool internals. N.B. Fan will run for approximately 10 seconds after nailing is completed.
4. Tool is ready for the next cycle. NOTE: the tool is equipped with a lock-out mechanism operating when only 4-5 nails are left in magazine.

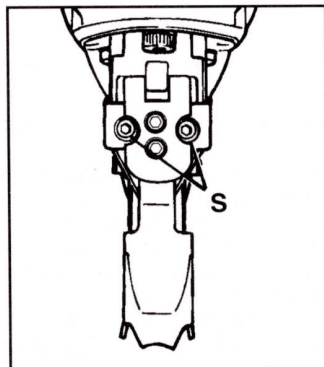
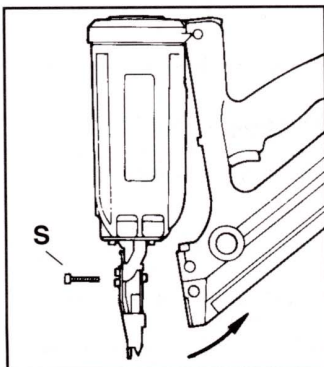
8. Depth of Drive Adjustment



The driven depth of a fastener may be adjusted by lengthening or shortening the overall length of the work contact element/safety yoke (A). To adjust work contact element/safety yoke (A):

1. Remove fuel and battery cells.
2. With Hex key provided, slacken 2 screws on the work contact element/safety yoke (A) and move the bracket in the direction required to achieve desired depth. Moving bracket upwards increases penetration and moving bracket downwards reduces penetration.
3. Retighten screws, refit fuel and battery cell.

9. Clearing a Nail Jam



Should a fastener jam in the nose of the tool proceed as follows:

1. Remove fuel and battery cells.
2. Pull follower back to locked position and remove fasteners.
3. Undo and remove the two magazine mounting screws (S).
4. Ease the magazine away and remove jammed fastener.
5. Re-align magazine and refit mounting screws (S).
6. Reload fuel and battery cells.
7. Reload fasteners and release follower.