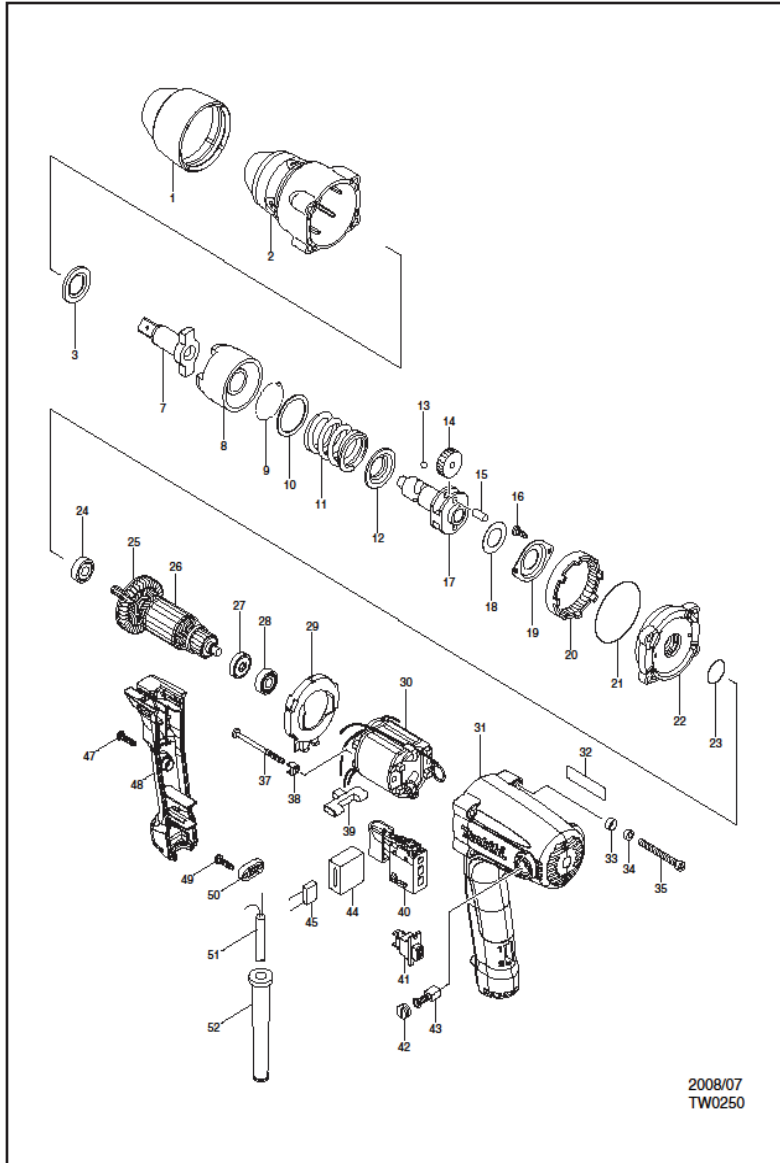


TW0250



2008/07
TW0250

REF.	CODE	DESCRIPTION	UNIT	LIST	REF.	CODE	DESCRIPTION	UNIT
1	421839-2	BUMPER	PC					
2	153581-4	HAMMER CASE COMPL	PC					PC
C10	213257-6	OIL SEAL 18	PC					
C20	321119-5	SLEEVE 18	PC					PC
3	267268-3	FLAT WASHER 19	PC					
4	231907-1	RING SPRING 10	PC					
7	324344-7	ANVIL	PC					
8	324341-3	HAMMER	PC					
9	216001-0	STEEL BALL 3.5	PC					
10	267269-1	FLAT WASHER 32	PC					
11	233377-0	COMPRESSION SPRING 30	PC					PC
12	267777-2	CUP WASHER 19	PC					
13	216007-8	STEEL BALL 6.4	PC					
14	227092-6	SPUR GEAR 32	PC					
15	256002-6	PIN 6	PC					
16	266026-4	TAPPING SCREW BIND CT 4X12	PC					
17	324339-0	SPINDLE	PC					
18	253794-8	FLAT WASHER 18	PC					
19	285709-7	BEARING RETAINER 44	PC					
20	227093-4	INTERNAL GEAR 71	PC					
21	213670-8	O RING 58	PC					PC
22	153583-0	INTERNAL GEAR COVER COMPL	PC					
23	213373-4	O RING 22	PC					
24	210005-4	BALL BEARING 608DDW	PC					
25	241881-5	FAN 52	PC					
26	517445-0	ARMATURE ASS'Y 100V INC. 24252728	PC					
D10	681652-2	INSULATION WASHER	PC					
27	211021-9	BALL BEARING 607LLB	PC					
28	418187-8	BAFFLE PLATE	PC					
29	593681-2	FIELD ASS'Y 115V	PC					
C10	654100-4	RING TERMINAL	PC					
C20	654501-6	CONNECTOR P-1.25	PC					
31	140021-1	MOTOR HOUSING COMPL	PC					
C10	643455-2	BRUSH HOLDER 6X9	PC					
32	866479-3	TW0250 NAME PLATE	PC					
33	253929-1	CUP WASHER 5	PC					
34	262001-8	URETHANE RING 5	PC					
35	266331-9	HEX. SOCKET HEAD BOLT M5X50	PC					
37	266091-3	TAPPING SCREW 4X50	PC					
38	417237-6	INSULATION COVER	PC					
39	418186-0	F/L CHANGE LEVER	PC					
40	650523-4	SWITCH C3MA-DB	PC					
42	643550-8	BRUSH HOLDER CAP 5-8	PC					
43	191940-4	CARBON BRUSH CB-411	SET					
44	685722-9	SPONGE	PC					
45	645200-1	NOISE SUPPRESSOR	PC					PC
47	265995-6	TAPPING SCREW 4X18	PC					
48	418189-4	HANDLE COVER	PC					
49	265995-6	TAPPING SCREW 4X18	PC					
50	687052-4	STRAIN RELIEF	PC					
51	665918-8	POWER SUPPLY CORD 1.0-2-2.5	PC					PC
52	682566-8	CORD GUARD 10	PC					
A01	134841-3	SOCKET 24-45 ASS'Y	PC					
C10	213399-6	O-RING 25	PC					
C20	268057-9	PIN 4	PC					
A02	824703-0	PLASTIC CARRYING CASE	PC					PC
C10	186347-7	SLIDE LATCH SET	SET					
A03	324284-9	HOOK	PC					
E01	655030-2	PLUG UK TYPE 16A-4H/110V	PC					PC
E02	654091-9	NON-INSULATED TERMINAL	PC					