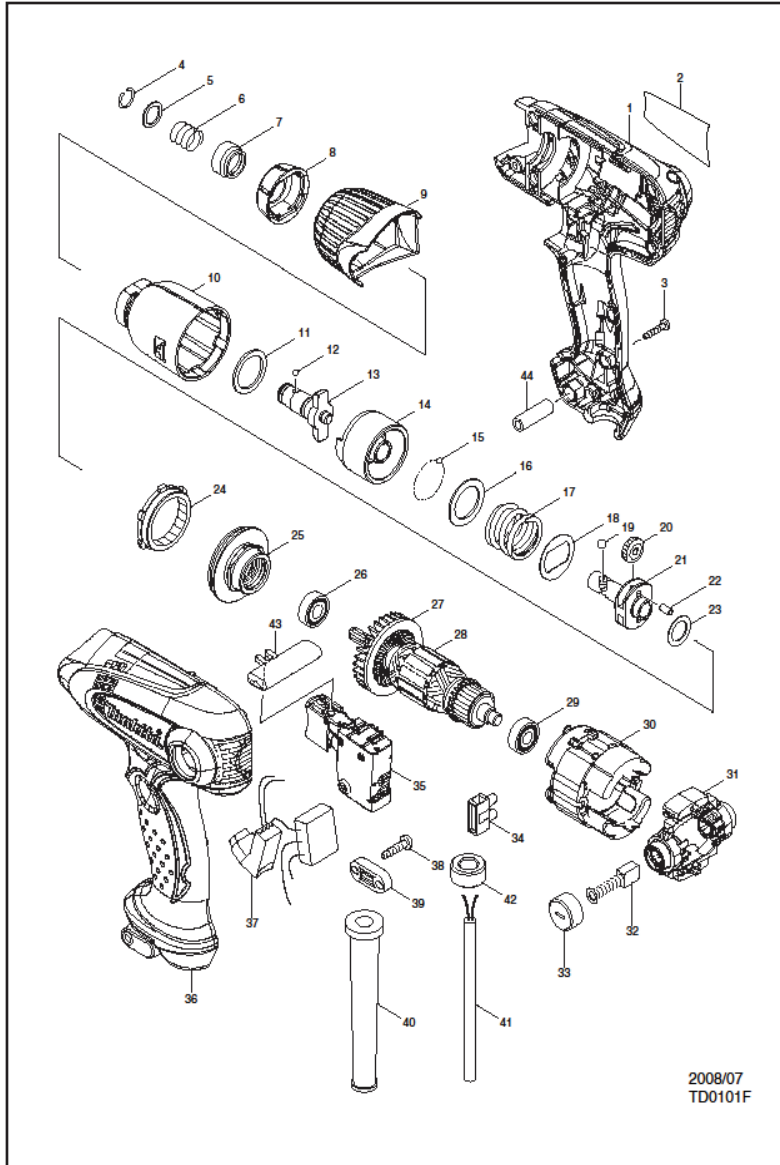


TD0101F



2008/07
TD0101F

REF.	CODE	DESCRIPTION	UNIT	LIST	REF.	CODE	DESCRIPTION	UNIT
1	188664-1	HOUSING SET	SET		044A	262560-2	SLEEVE 5	PC
C10	263002-9	RUBBER PIN 4	PC		A01	784244-7	+ BIT 2-50	PC
D10		INC. 36			A01A	784244-7	+ BIT 2-50	PC
001A	188664-1	HOUSING SET	SET		E01	655030-2	PLUG UK TYPE 16A-4H/110V	PC
C10	263002-9	RUBBER PIN 4	PC		E02	654091-9	NON-INSULATED ERMINAL	PC
D10		INC. 36						
2	866417-5	NAME PLATE	PC					
3	266429-2	TAPPING SCREW 3X16	PC					
4	231965-7	RING SPRING 10	PC					
5	267143-3	FLAT WASHER 11	PC					
6	233005-7	COMPRESSION SPRING 13	PC					
7	324711-6	BIT SLEEVE	PC					
8	424184-4	BUMPER	PC					
9	450976-5	HAMMER CASE COVER	PC					
10	158898-0	HAMMER CASE COMPL	PC					
C10	213166-9	O RING 12.5	PC					
C20	253798-0	FLAT WASHER 13	PC					
C30	257776-2	SLEEVE 12	PC	PC				
11	261140-1	NYLON WASHER 20	PC					
12	216019-1	STEEL BALL 3	PC					
13	325619-7	ANVIL M	PC					
14	324894-2	HAMMER	PC					
15	216019-1	STEEL BALL 3	PC					
16	267380-9	FLAT WASHER 20	PC					
17	234096-1	COMPRESSION SPRING 21	PC	PC				
18	267813-4	WASHER 21	PC					
19	216002-8	STEEL BALL 4.8	PC					
20	227213-0	SPUR GEAR 17	PC					
21	324897-6	SPINDLE	PC					
22	268217-3	PIN 3.5	PC					
23	253052-2	FLAT WASHER 12	PC					
24	227215-6	INTERNAL GEAR 43	PC					
25	158899-8	BEARING BOX COMPL	PC					
C10	210112-3	BALL BEARING 6801LLB	PC					
C20	213325-5	O RING 19	PC					
26	210013-5	BALL BEARING 698VV	PC					
27	240046-6	FAN 46	PC					
28	517651-7	ARMATURE ASSY 115V	PC					
D10		INC. 262729						
028A	517659-1	ARMATURE ASS'Y 240V	PC					
D10		INC. 262729						
29	210062-2	BALL BEARING 607ZZ	PC					
30	635106-1	FIELD 115V	PC					
30	635109-5	FIELD 240V	PC					
31	638643-4	HOLDER ARM COMPL	PC					
C10	643981-1	BRUSH HOLDER 6X9	PC					
32	191940-4	CARBON BRUSH CB-411 SET						
33	643928-5	BRUSH HOLDER CAP	PC					
34	654532-5	TERMINAL BLOCK 1P	PC					
35	650613-3	SWITCH C3TA	PC					
36	188664-1	HOUSING SET	SET					
C10	263002-9	RUBBER PIN 4	PC					
D10		INC. 1						
37	631872-8	LIGHT CIRCUIT	PC					
37	631873-6	LIGHT CIRCUIT	PC					
38	266326-2	TAPPING SCREW 4X18	PC					
39	687124-5	STRAIN RELIEF	PC					
40	682566-8	CORD GUARD 10	PC					
41	665918-8	POWER SUPPLY CORD 1.0-2-2.5	PC	PC				
41	692527-0	POWER SUPPLY CORD 1.0-2-2.5	PC	PC				
42	688131-1	LINE FILTER	PC					
43	419250-0	F/R CHANGE LEVER	PC					
043A	419250-0	F/R CHANGE LEVER	PC					
44	262560-2	SLEEVE 5	PC					