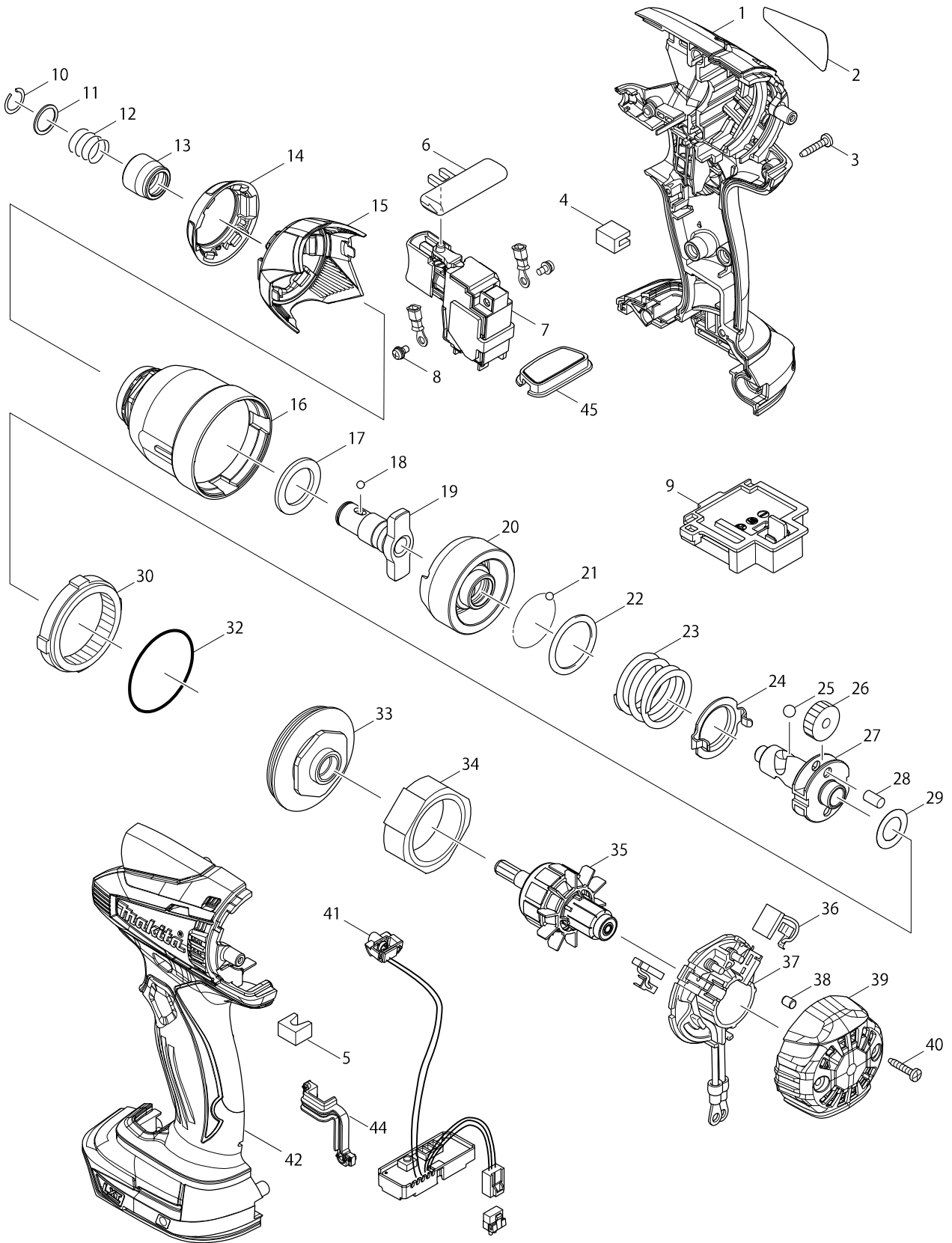


Model No. DTD134 CORDLESS IMPACT DRIVER



Model No. DTD134 CORDLESS IMPACT DRIVER

Item	Parts No.	Description	I/C	QTY	N/O	Opt. 1	Opt. 2	NOTE
001	187114-3	HOUSING SET		1		100		
C10	263005-3	RUBBER PIN 6		2		100		
D10		INC. 42						
002	815L18-8	DTD134 NAME PLATE		1				
003	266429-2	TAPPING SCREW 3X16		8		100		
004	423423-9	SPONGE B		1		100		
005	423422-1	SPONGE A		1		100		
006	419041-9	F/R CHANGE LEVER		1		100		
007	650722-8	SWITCH TG573FSB-1		1		100		
008	652045-0	+PAN HEAD SCREW M3.5X5		2		100		
009	643854-8	TERMINAL		1		100		
010	231951-8	RING SPRING 11		1		100		
011	267085-1	FLAT WASHER 12		1		100		
012	233005-7	COMPRESSION SPRING 13		1		100		
013	326072-0	BIT SLEEVE		1		100		
014	424429-0	BUMPER		1		100		
015	452837-5	HAMMER CASE COVER		1		100		
016	140946-9	HAMMER CASE COMPLETE		1		100		
017	261151-6	NYLON WASHER 19		1		100		
018	216001-0	STEEL BALL 3.5		2	*	100		
018-1	216040-0	STEEL BALL 3.5	O	2				
019	326071-2	ANVIL M		1		100		
020	326054-2	HAMMER		1		100		
021	216001-0	STEEL BALL 3.5		24	*	100		
021-1	216040-0	STEEL BALL 3.5	O	24				
022	267175-0	FLAT WASHER 24		1		100		
023	233430-2	COMPRESSION SPRING 24		1		100		
024	346466-3	PLATE		1		100		
025	216011-7	STEEL BALL 5.6		2	*	100		
025-1	216041-8	STEEL BALL 5.6	O	2				
026	227233-4	SPUR GEAR 22		2	*	100		
026-1	227362-3	SPUR GEAR 22	<	2				
027	326066-5	SPINDLE		1		100		
028	256253-1	PIN 5		2		100		
029	253362-7	THIN WASHER 12		1		100		
030	227150-8	INTERNAL GEAR 51		1		100		
032	213507-9	O RING 40		1		100		
033	158145-9	BEARING BOX COMPLETE		1		100		
034	638396-5	YOKE UNIT		1		100		
035	619244-7	ARMATURE		1	*	151		
035-1	619370-2	ARMATURE	<	1				
036	194427-5	CARBON BRUSH CB-440		1		100		
037	638895-7	BRUSH HOLDER COMPLETE		1		100		
C10	688161-2	LINE FILTER		1		100		
038	263032-0	RUBBER PIN 4		2		100		
039	452832-5	REAR COVER		1		100		
040	266429-2	TAPPING SCREW 3X16		2		100		
041	620051-3	LIGHT CIRCUIT		1		100		

