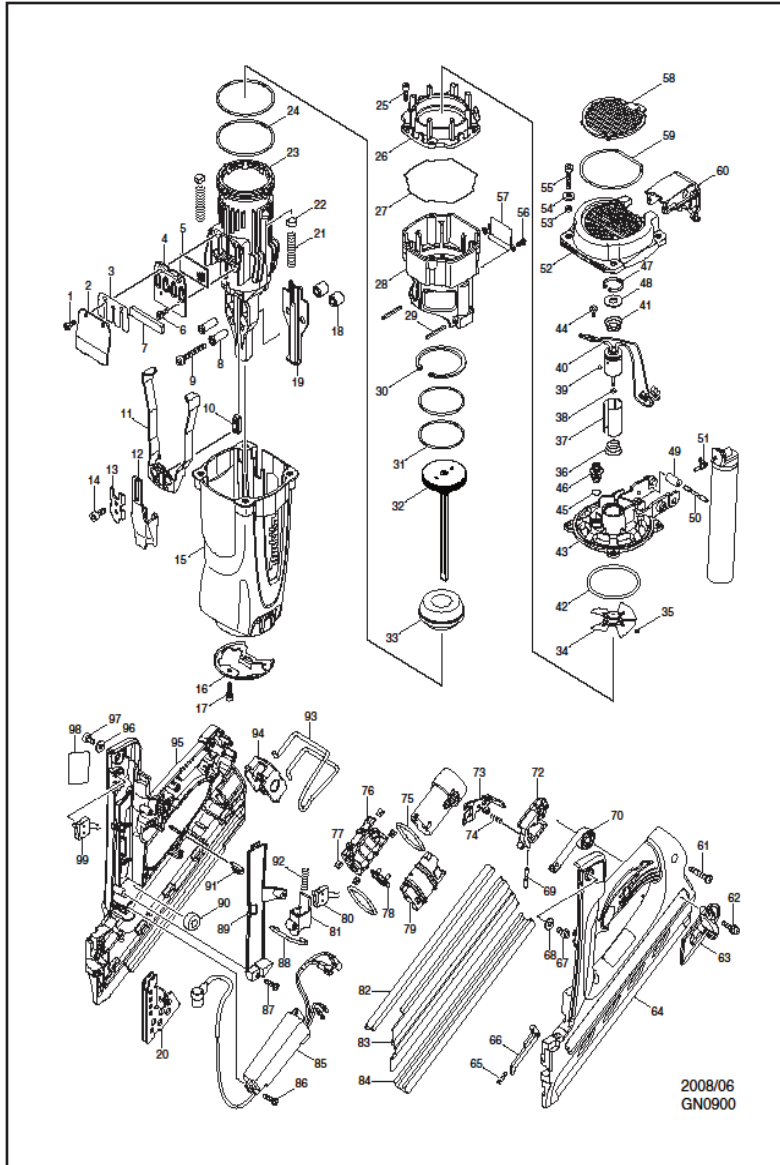


GN900SE



REF.	CODE	DESCRIPTION	UNIT	LIST	REF.	CODE	DESCRIPTION
001	922112-8	HEX SOCKET HEAD BOLT M4X10	PC		C10	808225-8	LED INDICATION LABEL
002	345984-8	EXHAUST COVER PC		C20	810458-3	CAUTION LABEL	PC
003	345982-2	EXHAUST VALVE PC		D10		INC. 95	
004	345983-0	EXHAUST PLATE PC		065	233054-4	COMPRESSION SPRING 4	PC
005	352008-3	PUNCHING METALPC		066	310289-5	LOCK BAR	PC
006	922112-8	HEX SOCKET HEAD BOLT M4X10	PC	067	265907-9	HEX SOCKET HEAD BOLT M5X10	
007	352009-1	SILENCER	PC	068	941101-4	FLAT WASHER 5	PC
008	324975-2	SLEEVE 6	PC	069	324977-8	SHOULDER PIN 4	PC
009	266271-1	HEX SOCKET HEAD BOLT M5X35	PC	070	158791-8	SPIRAL SPRING COMPL	
010	313157-1	ARM CONNECTOR	PC	072	450734-9	PUSHER HOLDER	
011	345987-2	ARM PC		073	345992-9	PUSHER	PC
012	345990-3	CONTACT TOP PC		074	234084-8	COMPRESSION SPRING 3	PC
013	345991-1	ARM PLATE	PC	075	424152-7	RUBBER RING 40	PC
014	922207-7	HEX SOCKET HEAD BOLT M5X10	PC	076	188598-8	BATTERY CASE SET	
015	450729-2	HOUSING	PC	D10		INC. 79	
016	346008-3	FRONT PLATE	PC	077	345749-8	SET PLATE	
017	266086-6	HEX SOCKET HEAD BOLT M5X16	PC	078	643817-4	TERMINAL	
018	257774-6	SLEEVE 9	PC	079	188598-8	BATTERY CASE SET	
019	345986-4	DRIVER GUIDE PLATE	PC	D10		INC. 76	
020	346006-7	UNDER DRIVER GUIDE	PC	080	638642-6	SWITCH UNIT	PC
021	234083-0	COMPRESSION SPRING 8	PC	081	450736-5	TRIGGER	
022	424138-1	STOP RUBBER	PC	082	345988-0	NAIL RAIL	
023	318319-6	CYLINDER	PC	083	345989-8	NAIL PLATE	
024	324973-6	CYLINDER RING PC		084	345981-4	MAGAZINE SUPPORTER	PC
025	922127-5	HEX SOCKET HEAD BOLT M4X16	PC	085	631820-7	SPARK UNIT	
026	318322-7	CHAMBER TOP PC		086	265995-6	TAPPING SCREW 4X18	PC
027	424139-9	CHAMBER SEAL RING	PC	087	265995-6	TAPPING SCREW 4X18	
028	318320-1	CHAMBER	PC	088	324974-4	CHAMBER LOCK BAR	
029	951078-5	SPRING PIN	PC	089	450740-4	LEAD WIRE COVER	
030	962254-6	RETAINING RING (INT) R-58	PC	090	688131-1	LINE FILTER	
031	324972-8	PISTON RING	PC	091	450741-2	LENS	PC
032	158840-1	DRIVER COMPLETE	PC	092	231307-5	COMPRESSION SPRING 6	
033	424137-3	FRONT CUSHION PC		092-1	234113-7	COMPRESSION SPRING 5	PC
034	241674-0	FAN 60 PC		093	324953-2	HOOK	PC
035	913904-6	SET SCREW (CUP POINT) M3X4	PC	094	318338-2	HOOK HOLDER	PC
036	233969-5	COMPRESSION SPRING 12-18	PC	095	188625-1	HANDLE SET	
037	450737-3	MOTOR SLEEVE PC		C10	808225-8	LED INDICATION LABEL	PC
038	261141-9	EPOXY WASHER 2	PC	C20	810458-3	CAUTION LABEL	PC
039	216019-1	STEEL BALL 3	PC	D10		INC. 64	
040	629860-7	DC MOTOR	PC	096	941101-4	FLAT WASHER 5	PC
041	233969-5	COMPRESSION SPRING 12-18	PC	097	265907-9	HEX SOCKET HEAD BOLT M5X10	
042	213677-4	O RING 60	PC	098	866161-4	NAME PLATE	
043	318321-9	CYLINDER HEAD PC		099	638642-6	SWITCH UNIT	PC
044	652014-1	PAN HEAD SCREW M4X8	PC	A01	192517-8	SAFETY GOGGLE	PC
045	213070-2	O RING 10	PC	A02	783202-0	HEX. WRENCH 4	PC
046	162269-5	SPARK PLUG	PC	A03	824875-1	PLASTIC CARRYING CASE	
047	962103-7	RETAINING RING R-24	PC	C10	163455-1	LATCH	PC
048	253024-7	FLAT WASHER 10PC		A04	808290-7	PLASTIC CASE LABEL	PC
049	422044-4	RUBBER SLEEVE 9	PC	A05	DC07SA	BATTERY CHARGER	
050	324976-0	SHOULDER PIN 4 PC		A06	194355-4	BATTERY BL7010 SET	PC
051	450731-5	STEM ADAPTOR PC					
052	450730-7	TOP CAP	PC				
053	257672-4	SLEEVE 5	PC				
054	941101-4	FLAT WASHER 5 PC					
055	922242-5	HEX SOCKET HEAD BOLT M5X25	PC				
056	265069-3	PAN HEAD SCREW M4X10	PC				
057	345985-6	TRIGGER LOCK PLATE	PC				
058	450733-1	FILTER COVER PC					
059	162270-0	FILTER	PC				
060	450732-3	ACTUATOR	PC				
061	266041-8	TAPPING SCREW 5X25	PC				
062	911138-5	PAN HEAD SCREW M4X20	PC				
063	450735-7	PUSHER LEVER PC					
064	188625-1	HANDLE SET	SET				