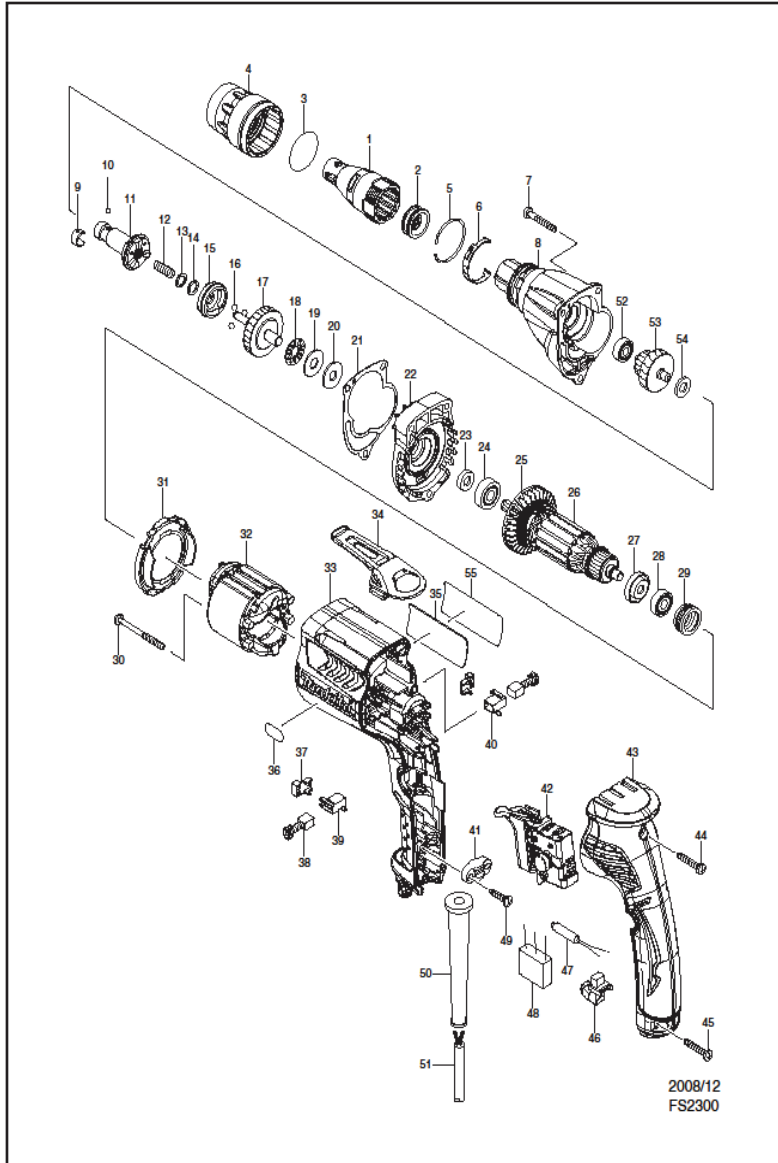


FS2300



2008/12
FS2300

REF.	CODE	DESCRIPTION	UNIT	LIST	REF.	CODE	DESCRIPTION	UNIT
1	158875-2	LOCATOR S COMPLETE		PC				
2	424163-2	DUST SEAL SLEEVE	PC					
3	424235-3	SEAL RING 30	PC					
4	450881-6	LOCK RING		PC				
5	233974-2	RING SPRING 33	PC					
6	232245-4	LEAF SPRING	PC					
7	266361-0	TAPPING SCREW 4X30		PC				
8	158895-6	GEAR HOUSING LS COMPL		PC				
9	232050-9	LEAF SPRING	PC					
10	216001-0	STEEL BALL 3.5	PC					
11	158886-7	SPINDLE 125S COMPL		PC				
12	234121-8	COMPRESSION SPRING 8		PC				
13	267202-3	FLAT WASHER 8	PC					
14	267202-3	FLAT WASHER 8	PC					
15	223170-0	CLUTCH CAM 125S	PC					
16	216008-6	STEEL BALL 4	PC					
17	158891-4	SPUR GEAR 35S COMPL		PC				
18	216415-3	THRUST NEEDLE GAUGE 821		PC				
19	216212-7	WASHER 821	PC					
20	261111-8	URETHANE WASHER 8	PC					
21	442149-4	GASKET	PC					
22	158982-1	GEAR HOUSING COVER COMPL		PC				
23	451099-2	RING 7	PC					
24	210007-0	BALL BEARING 608VV	PC					
25	240083-0	FAN 52	PC					
26	515760-6	ARMATURE ASSY 115V		PC				
D10		INC. 23-252728						
27	681636-0	INSULATION WASHER		PC				
28	210062-2	BALL BEARING 607ZZ		PC				
29	421868-5	LABYRINTH RUBBER RING 19		PC				
30	266467-4	TAPPING SCREW 4X50		PC				
31	450880-8	BAFFLE PLATE	PC					
32	633690-0	FIELD 115V		PC				
33	450878-5	MOTOR HOUSING L	PC					
34	162272-6	HOOK	PC					
35	867019-0	NAME PLATE	PC					
36	808574-3	INDICATION LABEL	PC					
37	689111-0	SPACER	PC					
38	191962-4	CARBON BRUSH CB-419		PC				
39	643952-8	BRUSH HOLDER	PC					
40	643953-6	BRUSH HOLDER	PC					
41	687124-5	STRAIN RELIEF	PC					
42	650614-1	SWITCH	PC					
43	158878-6	HANDLE COVER COMPL	PC					
C10	263002-9	RUBBER PIN 4	PC					
44	266374-1	TAPPING SCREW 4X25		PC				
45	266374-1	TAPPING SCREW 4X25		PC				
46	631938-4	LIGHT CIRCUIT	PC					
47	646122-8	CHOKE COIL	PC					
48	645253-0	NOISE SUPPRESSOR		PC				
49	265995-6	TAPPING SCREW 4X18		PC				
50	682566-8	CORD GUARD 10	PC					
51	665940-5	POWER SUPPLY CORD		PC				
52	211012-0	BALL BEARING 606ZZ	PC					
53	226157-1	GEAR COMPLETE 17-39		PC				
54	267017-8	FLAT WASHER 8	PC					
55	819349-5	CLEAR LABEL	PC					
56	423413-2	RUBBER PLATE	PC					
A01	784261-7	+BIT 2-25	PC					
A02	784811-8	MAGNETIC CONNECT BIT		PC				
E01	6565030-2	PLUG UK TYPE 16A-4H/110V		PC				
E02	654091-9	NON-INSULATED TERMINAL		PC				