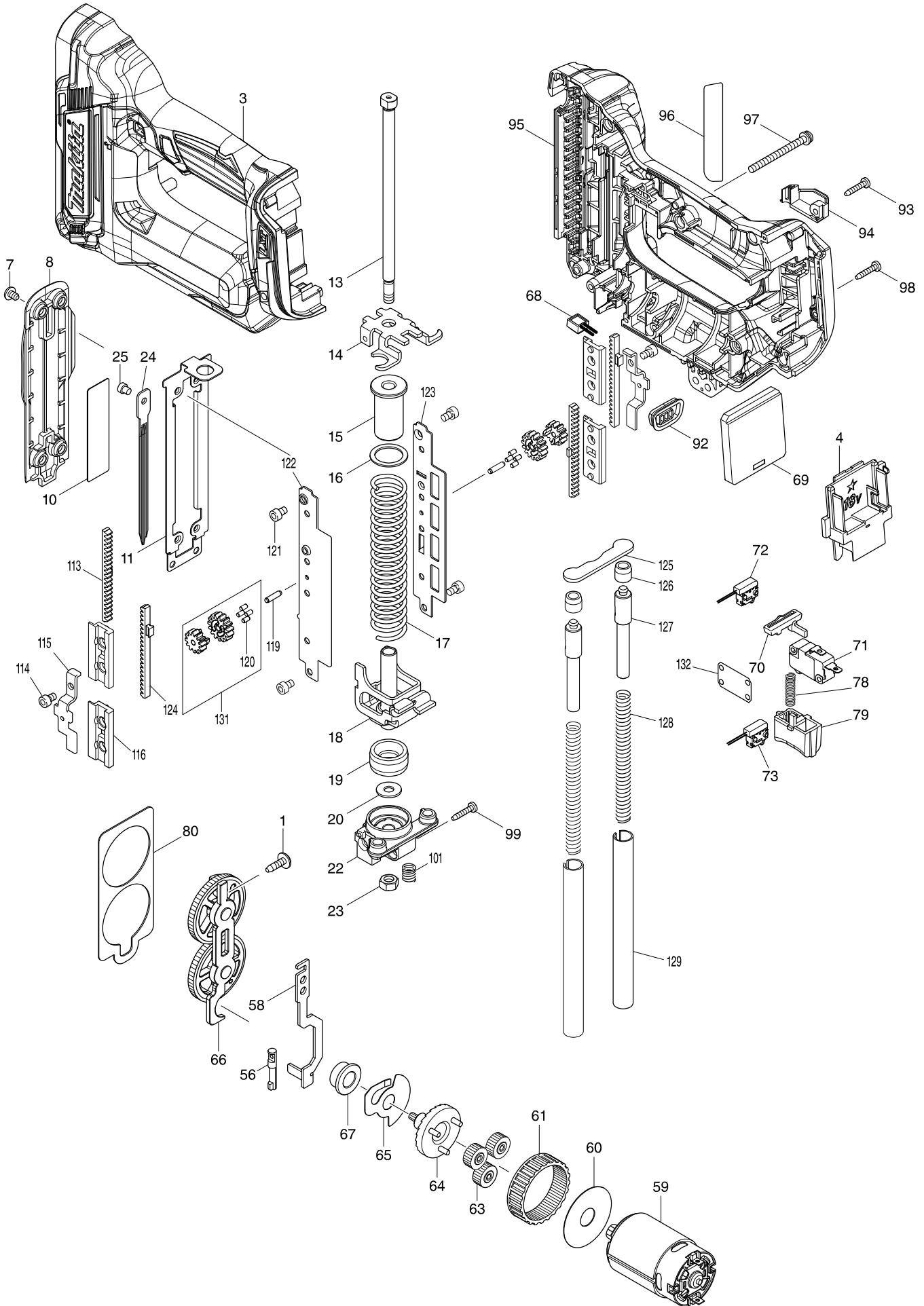
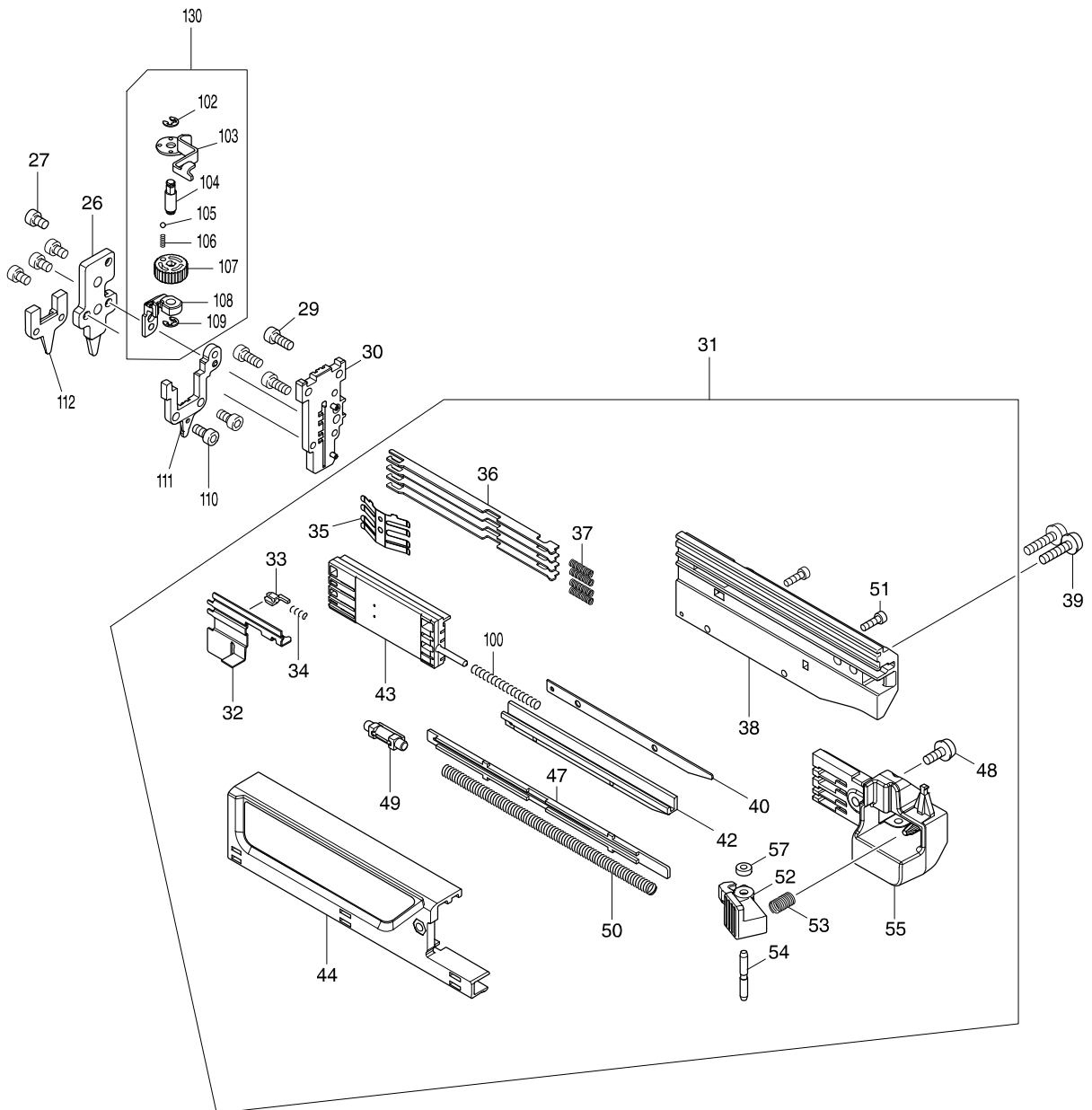


Model No. DPT353 CORDLESS PIN NAILER



Model No. DPT353 CORDLESS PIN NAILER



Model No. DPT353 CORDLESS PIN NAILER

| Item | Parts No. | Description | I/C | QTY | N/O | Opt. 1 | Opt. 2 | NOTE |
|-------|-----------|-------------------------------|-----|-----|-----|--------|--------|------|
| 001 | 266901-4 | TAPPING SCREW 4X14 | | 1 | | | | |
| 003 | 183F93-9 | HOUSING SET | | 1 | | | | |
| C10 | 263005-3 | RUBBER PIN 6 | | 2 | | 100 | | |
| C20 | 252126-6 | HEX. LOCKING NUT M4-7 | | 2 | | 100 | | |
| C30 | 931102-0 | HEX. NUT M4 | | 1 | | 100 | | |
| D10 | | INC. 95 | | | | | | |
| 004 | 643860-3 | TERMINAL | | 1 | | 100 | | |
| 007 | 915101-0 | BINDING HEAD SCREW M4X6 | | 4 | | | | |
| 008 | 457384-1 | FRONT COVER | | 1 | | | | |
| 010 | 345704-0 | UPPER PLATE | | 1 | | 100 | | |
| 011 | 347140-6 | RAIL | | 1 | | | | |
| 013 | 326903-3 | GUIDE BOLT | | 1 | | | | |
| 014 | 347143-0 | BOTTOM PLATE | | 1 | | | | |
| 015 | 457389-1 | SPRING HOLDER | | 1 | | | | |
| 016 | 347148-0 | SPRING BASE | | 1 | | | | |
| 017 | 232364-6 | COMPRESSION SPRING 17 | | 1 | | | | |
| 018 | 347141-4 | HAMMER | | 1 | | | | |
| 019 | 424952-5 | CUSHION | | 1 | | | | |
| 020 | 253804-1 | FLAT WASHER 6 | | 1 | | 100 | | |
| 022 | 319537-9 | HOLDER | | 1 | | | | |
| 023 | 931302-2 | HEX. NUT M6 | | 1 | | 100 | | |
| 024 | 345702-4 | DRIVER | | 1 | | 100 | | |
| 025 | 268157-5 | PIN 4 | | 1 | | 100 | | |
| 026 | 144291-4 | DRIVER GUIDE COVER COMPLETE | | 1 | | | | |
| 027 | 922102-1 | HEX. SOCKET HEAD BOLT M4X6 | | 4 | | 100 | | |
| 029 | 922112-8 | HEX. SOCKET HEAD BOLT M4X10 | | 3 | | 100 | | |
| 030 | 144330-0 | DRIVER GUIDE COMPLETE | | 1 | | | | |
| 031 | 135856-3 | MAGAZINE ASSY | | 1 | * | | | |
| D10 | | INC. 32-38,40,42-44,47-55,57, | | | * | | | |
| D20 | | INC. 100 | | | * | | | |
| 031-1 | 135897-9 | MAGAZINE ASSY | < | 1 | | | | |
| D10 | | INC. 32-38,40,42-44,47-55,57, | | | | | | |
| D20 | | INC. 100 | | | | | | |
| 032 | 347138-3 | PUSHER | | 1 | | | | |
| 033 | 310176-8 | STOPPER | | 1 | * | 100 | | |
| 033-1 | 310176-8 | STOPPER | S | 1 | | 100 | | |
| 034 | 233018-8 | COMPRESSION SPRING 3 | | 1 | | 100 | | |
| 035 | 232362-0 | LEAF SPRING | | 1 | | | | |
| 036 | 346239-4 | NAIL STOPPER | | 4 | | 100 | | |
| 037 | 232367-0 | COMPRESSION SPRING 3 | | 4 | | | | |
| 038 | 457379-4 | MAGAZINE | | 1 | * | | | |
| 038-1 | 458195-7 | MAGAZINE | < | 1 | | | | |
| 039 | 911133-5 | PAN HEAD SCREW M4X18 | | 2 | | 100 | | |
| 040 | 347137-5 | SPACER | | 1 | | | | |
| 042 | 144335-0 | LOWER RAIL COMPLETE | | 1 | | | | |
| 043 | 457382-5 | NAIL GUIDE HOLDER | | 1 | | | | |
| 044 | 457380-9 | UPPER RAIL | | 1 | | | | |
| C10 | 931102-0 | HEX. NUT M4 | | 1 | | 100 | | |

Model No. DPT353 CORDLESS PIN NAILER

| Item | Parts No. | Description | I/C | QTY | N/O | Opt. 1 | Opt. 2 | NOTE |
|------|-----------|------------------------------|-----|-----|-----|--------|--------|------|
| 047 | 457387-5 | SPRING COVER | | 1 | | | | |
| 048 | 911113-1 | PAN HEAD SCREW M4X10 WITH WR | | 1 | | 100 | | |
| 049 | 457383-3 | SHOULDER PIN 5-6 | | 1 | | | | |
| 050 | 232366-2 | COMPRESSION SPRING 5 | | 1 | | | | |
| 051 | 266177-3 | HEX. SOCKET HEAD BOLT M3X10 | | 2 | | 100 | | |
| 052 | 457388-3 | LEVER | | 1 | | | | |
| 053 | 233117-6 | COMPRESSION SPRING 6 | | 1 | | 100 | | |
| 054 | 256793-9 | PIN 3 | | 1 | | | | |
| 055 | 457381-7 | SLIDE DOOR CAP | | 1 | | | | |
| 056 | 268158-3 | PIN 5 | | 1 | | 100 | | |
| 057 | 262054-7 | URETHANE RING 3 | | 1 | | 100 | | |
| 058 | 347139-1 | LOCK ARM | | 1 | | | | |
| 059 | 629253-8 | DC MOTOR | | 1 | | | | |
| 060 | 267053-4 | FLAT WASHER 12 | | 1 | | 100 | | |
| 061 | 227166-3 | INTERNAL GEAR 69 | | 1 | | 100 | | |
| 063 | 221961-3 | SPUR GEAR 27 | | 3 | | 100 | | |
| 064 | 154973-0 | SPUR GEAR 7 COMPLETE | | 1 | | 100 | | |
| 065 | 345773-1 | ANTI BACK PLATE | | 1 | | 100 | | |
| 066 | 144290-6 | SPUR GEAR 55 COMPLETE | | 1 | | | | |
| 067 | 214060-8 | PLANE BEARING 10 | | 1 | | 100 | | |
| 068 | 620507-6 | LED CIRCUIT | | 1 | | | | |
| 069 | 632J89-6 | CONTROLLER UNIT | | 1 | | | | |
| C10 | 688164-6 | LINE FILTER | | 1 | | 100 | | |
| 070 | 456799-9 | TRIGGER LOCK | | 1 | | | | |
| 071 | 632J09-0 | SWITCH UNIT | | 1 | | | | |
| 072 | 632G60-2 | SWITCH UNIT | | 1 | | | | |
| 073 | 632K06-2 | SWITCH UNIT | | 1 | | | | |
| 078 | 232370-1 | COMPRESSION SPRING 5 | | 1 | | | | |
| 079 | 457386-7 | TRIGGER | | 1 | | | | |
| 080 | 347142-2 | GEAR PLATE | | 1 | | | | |
| 092 | 143778-3 | INDICATOR PANEL COMPLETE | | 1 | | | | |
| 093 | 266130-9 | TAPPING SCREW BIND PT 3X16 | | 1 | | 100 | | |
| 094 | 457385-9 | HOUSING R COVER | | 1 | | | | |
| 095 | 183F93-9 | HOUSING SET | | 1 | | | | |
| C10 | 263005-3 | RUBBER PIN 6 | | 2 | | 100 | | |
| C20 | 252126-6 | HEX. LOCKING NUT M4-7 | | 2 | | 100 | | |
| C30 | 931102-0 | HEX. NUT M4 | | 1 | | 100 | | |
| D10 | | INC. 3 | | | | | | |
| 096 | 852X49-8 | DPT353 NAME PLATE | | 1 | | | | |
| 097 | 911173-3 | PAN HEAD SCREW M4X45 | | 1 | | 100 | | |
| 098 | 266130-9 | TAPPING SCREW BIND PT 3X16 | | 8 | | 100 | | |
| 099 | 266130-9 | TAPPING SCREW BIND PT 3X16 | | 1 | | 100 | | |
| 100 | 233459-8 | COMPRESSION SPRING 3 | | 1 | | 100 | | |
| 101 | 232365-4 | COMPRESSION SPRING 7 | | 1 | | | | |
| 102 | 961017-7 | STOP RING E-3 | | 1 | | 100 | | |
| 103 | 347136-7 | CONTACT ARM | | 1 | | | | |
| 104 | 326905-9 | ADJUSTER SHAFT | | 1 | | | | |
| 105 | 216031-1 | STEEL BALL 2.3 | | 1 | | 100 | | |

