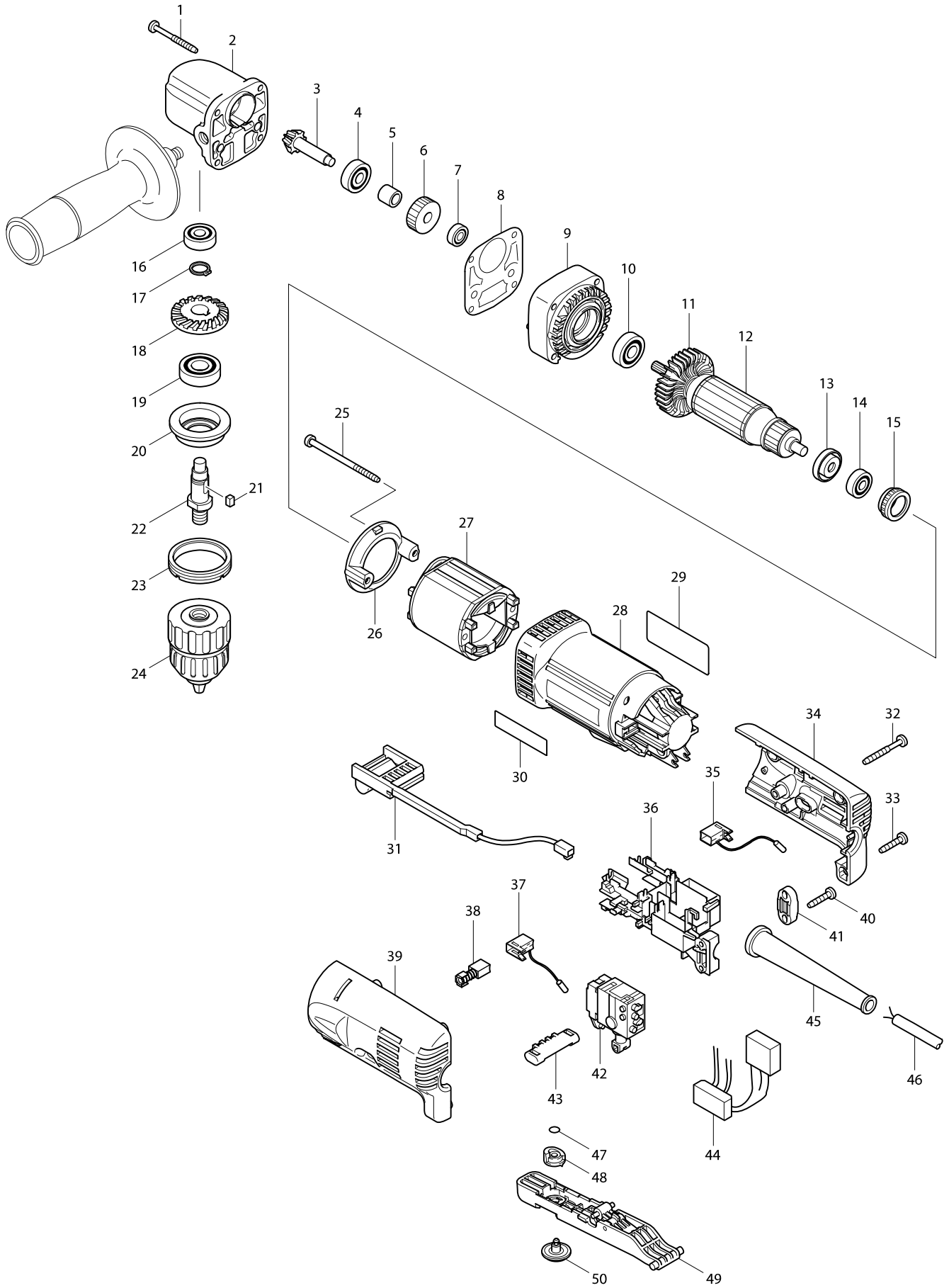


# Model No. DA3011F ANGLE DRILL 10MM



# Model No. DA3011F ANGLE DRILL 10MM

| Item   | Parts No. | Description             | I/C | QTY | N/O | Opt. 1 | Opt. 2 | NOTE |
|--------|-----------|-------------------------|-----|-----|-----|--------|--------|------|
| 001    | 266048-4  | TAPPING SCREW 4X40      |     | 4   |     | 100    |        |      |
| 002    | 317634-5  | GEAR HOUSING            |     | 1   |     | 100    |        |      |
| 003    | 227435-2  | SPIRAL BEVEL GEAR 9     |     | 1   |     | 100    |        |      |
| 004A   | 211031-6  | BALL BEARING 608LLB     |     | 1   | *   | 100    |        |      |
| 004B   | 211031-6  | BALL BEARING 608LLB     |     | 1   | *   | 100    |        |      |
| 004-1A | 210029-0  | BALL BEARING 608ZZ      | O   | 1   |     | 100    |        |      |
| 004-1B | 210029-0  | BALL BEARING 608ZZ      | O   | 1   |     | 100    |        |      |
| 004-1C | 210029-0  | BALL BEARING 608ZZ      |     | 1   |     | 100    |        |      |
| 004-1D | 210029-0  | BALL BEARING 608ZZ      |     | 1   |     | 100    |        |      |
| 005    | 257726-7  | SLEEVE 8                |     | 1   |     | 100    |        |      |
| 006    | 226567-2  | HELICAL GEAR 28         |     | 1   |     | 100    |        |      |
| 007    | 210026-6  | BALL BEARING 696ZZ      |     | 1   |     | 100    |        |      |
| 008    | 418036-9  | GASKET                  |     | 1   |     | 100    |        |      |
| 009    | 418042-4  | GEAR HOUSING COVER      |     | 1   |     | 100    |        |      |
| 010    | 211051-0  | BALL BEARING 609LLB     |     | 1   |     | 100    |        |      |
| 011    | 240061-0  | FAN 48                  |     | 1   |     | 100    |        |      |
| D10    |           | INC. 10,11,13,14        |     |     |     |        |        |      |
| 012A   | 517581-2  | ARMATURE ASS'Y 115V     |     | 1   |     | 151    |        |      |
| 012B   | 517583-8  | ARMATURE ASS'Y 220-240V |     | 1   |     | 151    |        |      |
| 012C   | 517581-2  | ARMATURE ASS'Y 115V     |     | 1   |     | 151    |        |      |
| 012D   | 517583-8  | ARMATURE ASS'Y 220-240V |     | 1   |     | 151    |        |      |
| 013    | 681636-0  | INSULATION WASHER       |     | 1   |     | 100    |        |      |
| 014    | 211021-9  | BALL BEARING 607LLB     |     | 1   |     | 100    |        |      |
| 015    | 421494-0  | RUBBER RING 19          |     | 1   |     | 100    |        |      |
| 016A   | 211031-6  | BALL BEARING 608LLB     |     | 1   | *   | 100    |        |      |
| 016B   | 211031-6  | BALL BEARING 608LLB     |     | 1   | *   | 100    |        |      |
| 016-1A | 210029-0  | BALL BEARING 608ZZ      | O   | 1   |     | 100    |        |      |
| 016-1B | 210029-0  | BALL BEARING 608ZZ      | O   | 1   |     | 100    |        |      |
| 016-1C | 210029-0  | BALL BEARING 608ZZ      |     | 1   |     | 100    |        |      |
| 016-1D | 210029-0  | BALL BEARING 608ZZ      |     | 1   |     | 100    |        |      |
| 017    | 961052-5  | RETAINING RING S-12     |     | 1   |     | 100    |        |      |
| 018    | 227434-4  | SPIRAL BEVEL GEAR 26    |     | 1   |     | 100    |        |      |
| 019    | 211131-2  | BALL BEARING 6001DDW    |     | 1   |     | 100    |        |      |
| 020    | 317633-7  | BEARING BOX             |     | 1   |     | 100    |        |      |
| 021    | 254201-4  | KEY 4                   |     | 1   |     | 100    |        |      |
| 022    | 324329-3  | SPINDLE                 |     | 1   |     | 100    |        |      |
| 023    | 285842-5  | BEARING RETAINER 36-43  |     | 1   |     | 100    |        |      |
| 024    | 763132-1  | KEYLESS DRILL CHUCK 10  |     | 1   |     |        |        |      |
| 025    | 266315-7  | TAPPING SCREW MT 4X65   |     | 2   |     | 100    |        |      |
| 026    | 418033-5  | BAFFLE PLATE            |     | 1   |     | 100    |        |      |
| 027A   | 635076-4  | FIELD                   |     | 1   |     | 152    |        |      |
| 027B   | 635078-0  | FIELD                   |     | 1   |     | 152    |        |      |
| 027C   | 635076-4  | FIELD                   |     | 1   |     | 152    |        |      |
| 027D   | 635078-0  | FIELD                   |     | 1   |     | 152    |        |      |
| 028    | 183560-8  | MOTOR HOUSING           |     | 1   |     | 100    |        |      |
| D10    |           | INC. 30                 |     |     |     |        |        |      |
| 029    | 850090-1  | NAME PLATE DA3011F      |     | 1   |     | 100    |        |      |
| 030    | 819063-3  | MAKITA LABEL            |     | 1   |     | 100    |        |      |

# Model No. DA3011F ANGLE DRILL 10MM

| Item | Parts No. | Description                    | I/C | QTY | N/O | Opt. 1 | Opt. 2 | NOTE |
|------|-----------|--------------------------------|-----|-----|-----|--------|--------|------|
| 031  | 631516-0  | LED CIRCUIT                    |     | 1   | 100 |        |        |      |
| 032  | 266053-1  | TAPPING SCREW 4X35             |     | 1   | 100 |        |        |      |
| 033  | 265995-6  | TAPPING SCREW 4X18             |     | 3   | 100 |        |        |      |
| 034  | 183559-3  | REAR COVER SET                 |     | 1   | 100 |        |        |      |
| D10  |           | INC. 39                        |     |     |     |        |        |      |
| 035  | 643801-9  | BRUSH HOLDER                   |     | 1   | 100 |        |        |      |
| 036  | 687139-2  | SUPPORT                        |     | 1   | 100 |        |        |      |
| 037  | 643801-9  | BRUSH HOLDER                   |     | 1   | 100 |        |        |      |
| 038  | 191962-4  | CARBON BRUSH CB-419            |     | 1   | 100 |        |        |      |
| 039  | 183559-3  | REAR COVER SET                 |     | 1   | 100 |        |        |      |
| D10  |           | INC. 34                        |     |     |     |        |        |      |
| 040  | 265995-6  | TAPPING SCREW 4X18             |     | 2   | 100 |        |        |      |
| 041  | 687063-9  | CORD CLAMP                     |     | 1   | 100 |        |        |      |
| 042  | 650539-9  | SWITCH TG803BSA-1              |     | 1   | 100 |        |        |      |
| 043  | 418038-5  | F/R CHANGE LEVER               |     | 1   | 100 |        |        |      |
| 044A | 631526-7  | POWER SUPPLY CIRCUIT           |     | 1   | 100 |        |        |      |
| 044B | 631527-5  | POWER SUPPLY CIRCUIT           |     | 1   | 100 |        |        |      |
| 044C | 631526-7  | POWER SUPPLY CIRCUIT           |     | 1   | 100 |        |        |      |
| 044D | 631527-5  | POWER SUPPLY CIRCUIT           |     | 1   | 100 |        |        |      |
| 045  | 682559-5  | CORD GUARD 8                   |     | 1   | 100 |        |        |      |
| 046A | 663926-3  | POWER SUPPLY CORD 1.0-2-2.5    |     | 1   |     |        |        |      |
| 046B | 692021-2  | POWER SUPPLY CORD 1.0-2-2.5    |     | 1   | 100 |        |        |      |
| 046C | 663926-3  | POWER SUPPLY CORD 1.0-2-2.5    |     | 1   |     |        |        |      |
| 046D | 692021-2  | POWER SUPPLY CORD 1.0-2-2.5    |     | 1   | 100 |        |        |      |
| 047  | 213034-6  | O RING 3                       |     | 1   | 100 |        |        |      |
| 048  | 418040-8  | CAM                            |     | 1   | 100 |        |        |      |
| 049  | 153477-9  | SWITCH LEVER COMPLETE          |     | 1   | 100 |        |        |      |
| 050  | 418037-7  | SPEED CHANGE DIAL              |     | 1   | 100 |        |        |      |
| A01  | 152490-4  | GRIP 36 COMPLETE               |     | 1   | 100 |        |        |      |
| A02C | 821549-5  | CONNECTOR PLASTIC CASE (TYPE1) |     | 1   |     |        |        |      |
| C10  | 453974-8  | LATCH                          |     | 4   | 100 |        |        |      |
| A02D | 821549-5  | CONNECTOR PLASTIC CASE (TYPE1) |     | 1   |     |        |        |      |
| C10  | 453974-8  | LATCH                          |     | 4   | 100 |        |        |      |
| A03C | 803L25-3  | DA3011FJ INDICATION LABEL      |     | 1   |     |        |        |      |
| A03D | 803L25-3  | DA3011FJ INDICATION LABEL      |     | 1   |     |        |        |      |
| A04C | 803L26-1  | DA3011FJ PLASTIC CASE LABEL    |     | 2   |     |        |        |      |
| A04D | 803L26-1  | DA3011FJ PLASTIC CASE LABEL    |     | 2   |     |        |        |      |
| A05C | 837880-9  | INNER TRAY                     |     | 1   |     |        |        |      |
| A05D | 837880-9  | INNER TRAY                     |     | 1   |     |        |        |      |
| E01A | 655030-2  | PLUG UK TYPE 16A-4H/110V       |     | 1   |     |        |        |      |
| E01C | 655030-2  | PLUG UK TYPE 16A-4H/110V       |     | 1   |     |        |        |      |
| E02A | 654091-9  | NON-INSULATED TERMINAL1.25-2AF |     | 2   | 100 |        |        |      |
| E02C | 654091-9  | NON-INSULATED TERMINAL1.25-2AF |     | 2   | 100 |        |        |      |
|      |           |                                |     |     |     |        |        |      |
|      |           |                                |     |     |     |        |        |      |
|      |           |                                |     |     |     |        |        |      |
|      |           |                                |     |     |     |        |        |      |
|      |           |                                |     |     |     |        |        |      |