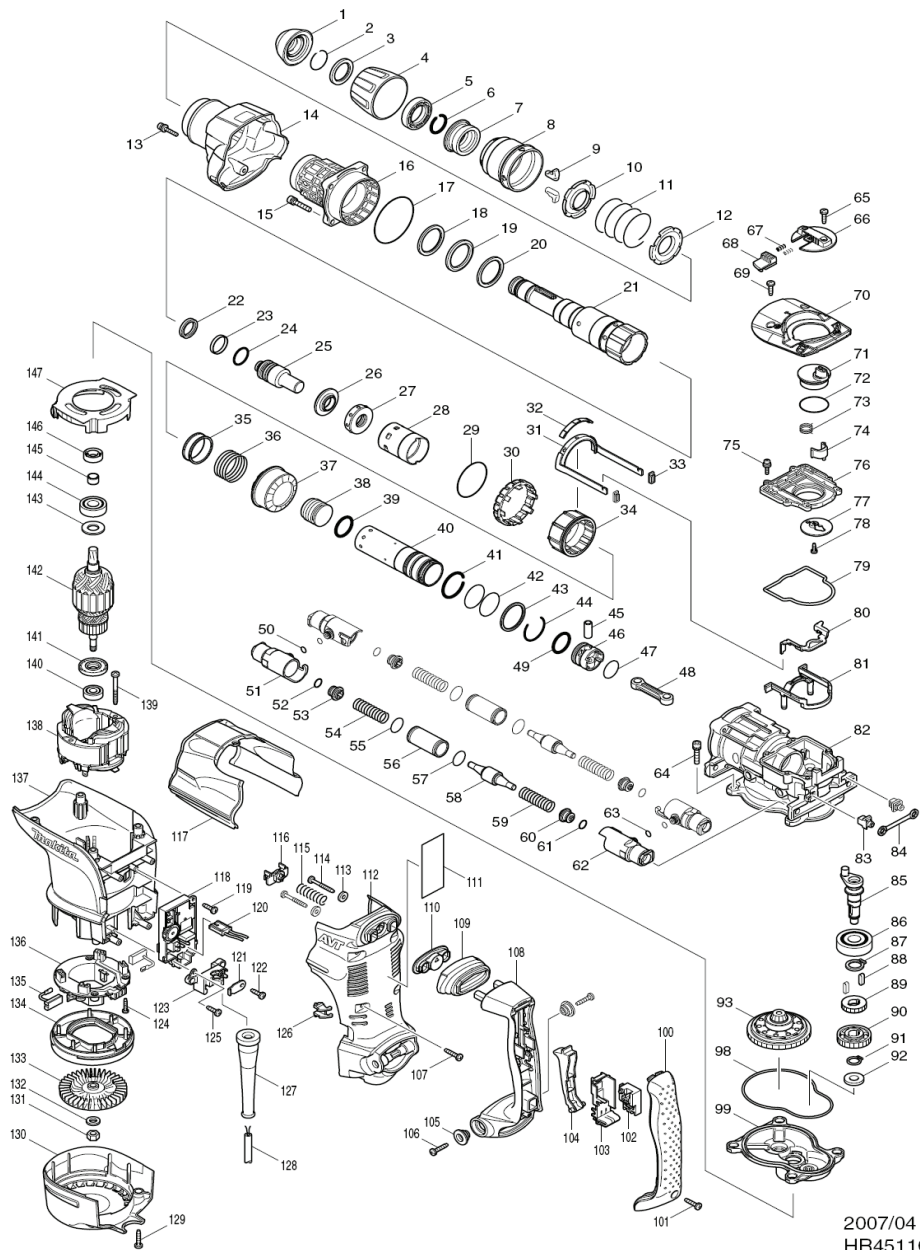




# HR4511C



2007/04  
HR4511C

83	419008-7	FIX GUIDE	2
84	423345-3	CUSHION PLATE	1
85	324801-5	CRANK SHAFT	1
86	211279-0	BALL BEARING 6303LLU	1
87	961057-5	RETAINING RING S-17	1
88	254220-0	KEY 5	2
89	227181-7	SPUR GEAR 19	1
90	226655-5	HELICAL GEAR 36	1
91	961054-1	RETAINING RING S-14	1
92	253180-3	FLAT WASHER 10	1
93	125415-1	TORQUE LIMITER ASSY	1
98	424033-5	SEAL RING	1
99	158299-2	GEAR HOUSING COMPLETE	1
100	419796-6	HANDLE COVER	1
101	265995-6	TAPPING SCREW 4X18	1
102	650567-4	SWITCH TG73B-1	1
103	154626-1	SWITCH HOLDER COMPLETE	1
104	419025-7	SWITCH LEVER	1
105	313124-6	SHOULDER SLEEVE 6	2
106	266041-8	TAPPING SCREW 5X25	2
107	266041-8	TAPPING SCREW 5X25	6
108	419798-2	HANDLE	1
109	424035-1	DUST COVER	1
110	450028-2	DUST COVER SUPPORT	1
111	864096-3	HR4511C NAME PLATE	1
112	450038-9	HANDLE BASE	1
113	253807-5	FLAT WASHER 5	2
114	266211-9	TAPPING SCREW 5X40	2
115	233434-4	COMPRESSION SPRING 11	1
116	419013-4	SPRING GUIDE	1
117	450036-3	CRANK HOUSING COVER	1
118	631750-2	CONTROLLER	1
118A	631751-0	CONTROLLER	1
119	266192-7	TAPPING SCREW 4X14	1
120	638510-3	LEAD UNIT	1
121	687169-3	STRAIN RELIEF	1
122	266192-7	TAPPING SCREW 4X14	1
123	419024-9	CORD CLAMP BASE	1
124	265995-6	TAPPING SCREW 4X18	4
125	266192-7	TAPPING SCREW 4X14	1
126	419774-6	LENS	1
127	682560-0	CORD GUARD 10	1
128	695228-9	POWER SUPPLY CORD 1.5-2-4.0	1
128A	692623-4	POWER SUPPLY CORD 1.5-2-4.0	1
129	266041-8	TAPPING SCREW 5X25	2
130	450035-5	REAR COVER	1
131	252178-7	HEX. NUT M8-12	1
132	253165-9	FLAT WASHER 8	1
133	240016-5	FAN 90	1
134	419782-7	FAN GUIDE	1
135	194412-8	CARBON BRUSH CB-171	1
136	638447-4	BRUSH HOLDER UNIT	1
137	450041-0	MOTOR HOUSING	1
138	636311-3	FIELD 115V	1
138A	636313-9	FIELD 220-240V	1
139	266046-8	TAPPING SCREW 5X50	2
140	210059-1	BALL BEARING 6000DDW	1
141	681642-5	INSULATION WASHER	1
142	517766-0	ARMATURE ASSY 115V	1
142	INC. 140141145	INC. 140141145	0
142A	517768-6	ARMATURE ASSY 220-240V	1
142A	INC. 140141145	INC. 140141145	0
143	267025-9	FLAT WASHER 15	1
144	211238-4	BALL BEARING 6202LLU	1
145	331596-3	SLEEVE 12	1
146	213231-4	OIL SEAL 15	1
147	450033-9	BAFFLE PLATE	1
A01	158131-0	GRIP 36 COMPLETE	1
A02	158273-0	PLASTIC CARRYING CASE COMPLETE	1
A02	163467-4	LATCH	2
A02	816879-7	INDICATION LABEL	1
A03	181573-3	GREASE VESSEL 93G	1
A03	817105-7	CAUTION LABEL	1
A04	134890-0	SIDE HANDLE 68 ASSY	1
A04	151769-0	SIDE HANDLE 68 COMPLETE	1
A04	252640-2	WING NUT M8	1
A04	265439-6	HEX. BOLT M8X150	1
A04	417002-3	SIDE HANDLE CAM	2
A04	417003-1	SIDE HANDLE	1
A05	443122-7	CLOTH	1
A06	265701-9	SCREW M6X14	1
A07	266163-4	CUP SQUARE NECK BOLT M8X80	1
A08	321248-4	DEPTH GAUGE	1
A09	344491-8	GRIP SPRING 68	1
A10	344492-6	PLATE	1
A11	416299-1	SIDE GRIP BASE 68	1
A12	931302-2	HEX. NUT M6	1
E01	655030-2	PLUG UK TYPE 16A-4H/110V	1
E02	654091-9	NON-INSULATED TERMINAL	2