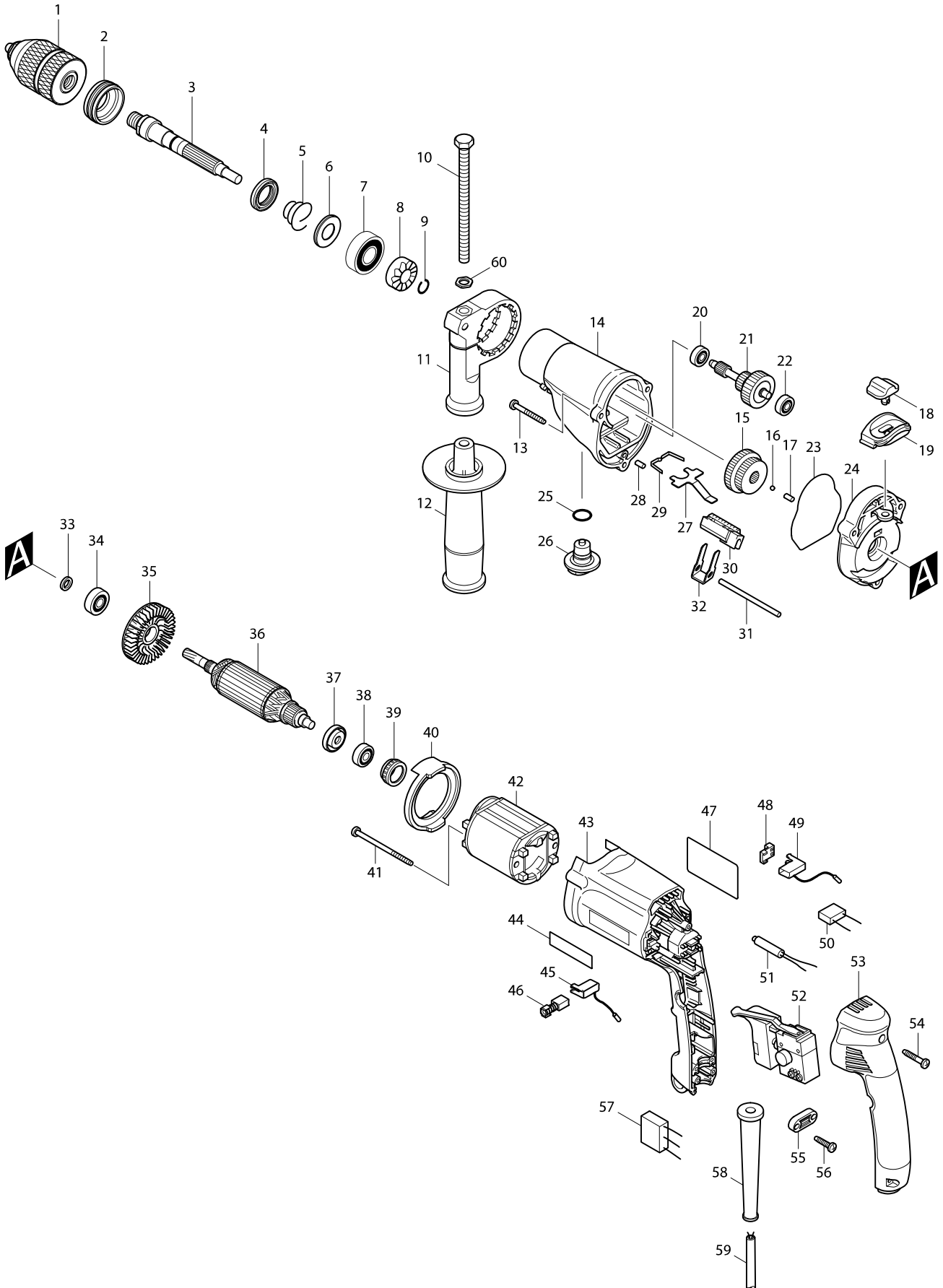


Model No. HP2051 2-SPEED HAMMER DRILL 20MM



Model No. HP2051 2-SPEED HAMMER DRILL 20MM

Item	Parts No.	Description	I/C	QTY	N/O	Opt. 1	Opt. 2	NOTE
001A	192664-5	KEYLESS DRILL CHUCK		1	*			
001B	192664-5	KEYLESS DRILL CHUCK		1	*			
001-1A	194254-0	KEYLESS DRILL CHUCK SET	<	1				
001-1B	194254-0	KEYLESS DRILL CHUCK SET	<	1				
001-1C	194254-0	KEYLESS DRILL CHUCK SET		1				
001-1D	194254-0	KEYLESS DRILL CHUCK SET		1				
002	285839-4	BEARING RETAINER		1		100		
003	324247-5	SPINDLE		1		100		
004	213314-0	OIL SEAL 19		1		100		
005	233921-3	CONICAL COMPRESSION SPRING		1		100		
006	345224-4	CUP WASHER 15		1		100		
007	211206-7	BALL BEARING 6202LLB		1		100		
008	223137-8	CAM A		1		100		
009	233920-5	RING SPRING 11		1		100		
010	921923-8	HEX. BOLT M8X120		1		100		
011A	417630-4	GRIP BASE		1	*	100		
011B	417630-4	GRIP BASE		1	*	100		
011-1A	417630-4	GRIP BASE	O	1		100		
011-1B	417630-4	GRIP BASE	O	1		100		
011-1C	417630-4	GRIP BASE		1		100		
011-1D	417630-4	GRIP BASE		1		100		
012A	152521-9	GRIP 36 COMPLETE		1	*	100		
012B	152521-9	GRIP 36 COMPLETE		1	*	100		
012-1A	134943-5	GRIP 36 ASS'Y	<	1	*	100		
C10	152521-9	GRIP 36 COMPLETE		1	*	100		
D10		INC. 10,11			*			
012-1B	134943-5	GRIP 36 ASS'Y	<	1	*	100		
C10	152521-9	GRIP 36 COMPLETE		1	*	100		
D10		INC. 10,11			*			
012-2A	134943-5	GRIP 36 ASS'Y	<	1	*	100		
C10	152521-9	GRIP 36 COMPLETE		1	*	100		
D10		INC. 10,11,60			*			
012-2B	134943-5	GRIP 36 ASS'Y	<	1	*	100		
C10	152521-9	GRIP 36 COMPLETE		1	*	100		
D10		INC. 10,11,60			*			
012-3A	135302-6	GRIP 36 ASS'Y	O	1		100		
C10	153503-4	GRIP 36 COMPLETE		1		100		
D10		INC. 10,11,60						
012-3B	135302-6	GRIP 36 ASS'Y	O	1		100		
C10	153503-4	GRIP 36 COMPLETE		1		100		
D10		INC. 10,11,60						
012-3C	135302-6	GRIP 36 ASS'Y		1		100		
C10	153503-4	GRIP 36 COMPLETE		1		100		
D10		INC. 10,11,60						
012-3D	135302-6	GRIP 36 ASS'Y		1		100		
C10	153503-4	GRIP 36 COMPLETE		1		100		
D10		INC. 10,11,60						
013	266053-1	TAPPING SCREW 4X35		3		100		

Item	Parts No.	Description	I/C	QTY	N/O	Opt. 1	Opt. 2	NOTE
014	153379-9	GEAR HOUSING COMPLETE		1		100		
015	227030-8	SPUR GEAR 29-37		1		100		
016	216001-0	STEEL BALL 3.5		1		100		
017	256251-5	PIN 4		1		100		
018A	417801-3	CHANGE LEVER A		1	*	100		
018B	417801-3	CHANGE LEVER A		1	*	100		
018-1A	418083-0	CHANGE LEVER A	<	1		100		
018-1B	418083-0	CHANGE LEVER A	<	1		100		
018-1C	418083-0	CHANGE LEVER A		1		100		
018-1D	418083-0	CHANGE LEVER A		1		100		
019	417802-1	LEVER CASE		1		100		
020A	211014-6	BALL BEARING 606		1	*	100		
020B	211014-6	BALL BEARING 606		1	*	100		
020-1A	211012-0	BALL BEARING 606ZZ	O	1		100		
020-1B	211012-0	BALL BEARING 606ZZ	O	1		100		
020-1C	211012-0	BALL BEARING 606ZZ		1		100		
020-1D	211012-0	BALL BEARING 606ZZ		1		100		
021A	153363-4	GEAR COMPLETE		1	*	100		
021B	153363-4	GEAR COMPLETE		1	*	100		
021-1A	153622-6	GEAR COMPLETE	O	1		100		
021-1B	153622-6	GEAR COMPLETE	O	1		100		
021-1C	153622-6	GEAR COMPLETE		1		100		
021-1D	153622-6	GEAR COMPLETE		1		100		
022A	211014-6	BALL BEARING 606		1	*	100		
022B	211014-6	BALL BEARING 606		1	*	100		
022-1A	211012-0	BALL BEARING 606ZZ	O	1		100		
022-1B	211012-0	BALL BEARING 606ZZ	O	1		100		
022-1C	211012-0	BALL BEARING 606ZZ		1		100		
022-1D	211012-0	BALL BEARING 606ZZ		1		100		
023	421810-6	SEAL RING		1		100		
024A	153364-2	GEAR HOUSING COVER COMPLETE		1	*	100		
024B	153364-2	GEAR HOUSING COVER COMPLETE		1	*	100		
024-1A	153620-0	GEAR HOUSING COVER COMPLETE	<	1		100		
024-1B	153620-0	GEAR HOUSING COVER COMPLETE	<	1		100		
024-1C	153620-0	GEAR HOUSING COVER COMPLETE		1		100		
024-1D	153620-0	GEAR HOUSING COVER COMPLETE		1		100		
025A	213162-7	O RING 14		1	*	100		
025B	213162-7	O RING 14		1	*	100		
025-1A	213122-9	O RING 12	O	1		100		
025-1B	213122-9	O RING 12	O	1		100		
025-1C	213122-9	O RING 12		1		100		
025-1D	213122-9	O RING 12		1		100		
026	417805-5	CHANGE LEVER B		1		100		
027	345225-2	LOCK PLATE		1		100		
028	256251-5	PIN 4		1		100		
029	232143-2	LEAF SPRING		1		100		
030	417804-7	RACK 12		1		100		
031	268092-7	PIN 4		1		100		

Item	Parts No.	Description	I/C	QTY	N/O	Opt. 1	Opt. 2	NOTE
032	345223-6	CHANGE PLATE B		1		100		
033	262087-2	RING 8		1		100		
034	210005-4	BALL BEARING 608DDW		1		100		
035	241881-5	FAN 52		1		100		
D10		INC. 33,34,35,37,38						
036A	518857-0	ARMATURE ASS'Y 115V		1		151		
036B	517414-1	ARMATURE ASS'Y 220-240V		1		151		
036C	518857-0	ARMATURE ASS'Y 115V		1		151		
036D	517414-1	ARMATURE ASS'Y 220-240V		1		151		
037	681636-0	INSULATION WASHER		1		100		
038	211021-9	BALL BEARING 607LLB		1		100		
039	421494-0	RUBBER RING 19		1		100		
040	417803-9	BAFFLE PLATE		1		100		
041	266060-4	TAPPING SCREW 4X65		2		100		
042A	633525-5	FIELD 115V		1		152		
042B	633528-9	FIELD 220-240V		1		152		
042C	633525-5	FIELD 115V		1		152		
042D	633528-9	FIELD 220-240V		1		152		
043A	183453-9	MOTOR HOUSING		1	*	100		
D10		INC. 44			*			
043B	183453-9	MOTOR HOUSING		1	*	100		
D10		INC. 44			*			
043-1A	417807-1	MOTOR HOUSING	O	1		100		
043-1B	417807-1	MOTOR HOUSING	O	1		100		
043-1C	417807-1	MOTOR HOUSING		1		100		
043-1D	417807-1	MOTOR HOUSING		1		100		
044A	819063-3	MAKITA LABEL		1	*	100		
044B	819063-3	MAKITA LABEL		1	*	100		
045	643989-5	BRUSH HOLDER		1		100		
046	191962-4	CARBON BRUSH CB-419		1		100		
047	853860-7	NAME PLATE HP2051		1		100		
048	689111-0	SPACER		2		100		
049	643988-7	BRUSH HOLDER		1		100		
050A	645200-1	NOISE SUPPRESSOR	S	1		100		
050B	645105-5	NOISE SUPPRESSOR		1	*	100		
050C	645200-1	NOISE SUPPRESSOR		1		100		
050-1B	645200-1	NOISE SUPPRESSOR	S	1		100		
050-1D	645200-1	NOISE SUPPRESSOR		1		100		
051A	646133-3	CHOKE COIL		1	*	100		
051B	646133-3	CHOKE COIL		1	*	100		
052	650524-2	SWITCH TG813ALB-2		1		100		
053	153284-0	HANDLE COVER COMPLETE		1		100		
C10	263002-9	RUBBER PIN 4		2		100		
054	265999-8	TAPPING SCREW 4X25		3		100		
055	687063-9	CORD CLAMP		1	*	100		
055-1	687123-7	STRAIN RELIEF	O	1		100		
056	265995-6	TAPPING SCREW 4X18		2		100		
057A	645253-0	NOISE SUPPRESSOR		1	*	100		

Item	Parts No.	Description	I/C	QTY	N/O	Opt. 1	Opt. 2	NOTE
057B	645253-0	NOISE SUPPRESSOR		1	*	100		
058	682559-5	CORD GUARD 8		1		100		
059A	663514-6	POWER SUPPLY CORD 1.0-2-2.5		1		100		
059B	692021-2	POWER SUPPLY CORD 1.0-2-2.5		1		100		
059C	663514-6	POWER SUPPLY CORD 1.0-2-2.5		1		100		
059D	692021-2	POWER SUPPLY CORD 1.0-2-2.5		1		100		
060	345280-4	HEX. WASHER		1		100		
061	263002-9	RUBBER PIN 4		1		100		
A01	324219-0	DEPTH GAUGE		1				
A02A	824650-5	PLASTIC CARRYING CASE		1				
C10	417724-5	LATCH		2				
C20	819144-3	MAKITA LOGO LABEL		1		100		
A02B	824650-5	PLASTIC CARRYING CASE		1				
C10	417724-5	LATCH		2				
C20	819144-3	MAKITA LOGO LABEL		1		100		
A02C	821549-5	CONNECTOR PLASTIC CASE (TYPE1)		1	*			
C10	453974-8	LATCH		4	*	100		
A02D	821549-5	CONNECTOR PLASTIC CASE (TYPE1)		1	*			
C10	453974-8	LATCH		4	*	100		
A02-1C	821549-5	CONNECTOR PLASTIC CASE (TYPE1)	<	1				
C10	453974-8	LATCH		4		100		
A02-1D	821549-5	CONNECTOR PLASTIC CASE (TYPE1)	<	1				
C10	453974-8	LATCH		4		100		
A03C	837656-4	INNER TRAY		1	*			
A03D	837656-4	INNER TRAY		1	*			
A03-1C	838039-1	INNER TRAY	O	1				
A03-1D	838039-1	INNER TRAY	O	1				
A04C	801B88-3	HP2051J INDICATION LABEL		1				
A04D	801B88-3	HP2051J INDICATION LABEL		1				
A05C	801B89-1	HP2051J PLASTIC CASE LABEL		2				
A05D	801B89-1	HP2051J PLASTIC CASE LABEL		2				
E01A	655030-2	PLUG UK TYPE 16A-4H/110V		1				
E01C	655030-2	PLUG UK TYPE 16A-4H/110V		1				
E02A	654091-9	NON-INSULATED TERMINAL1.25-2AF		2		100		
E02C	654091-9	NON-INSULATED TERMINAL1.25-2AF		2		100		