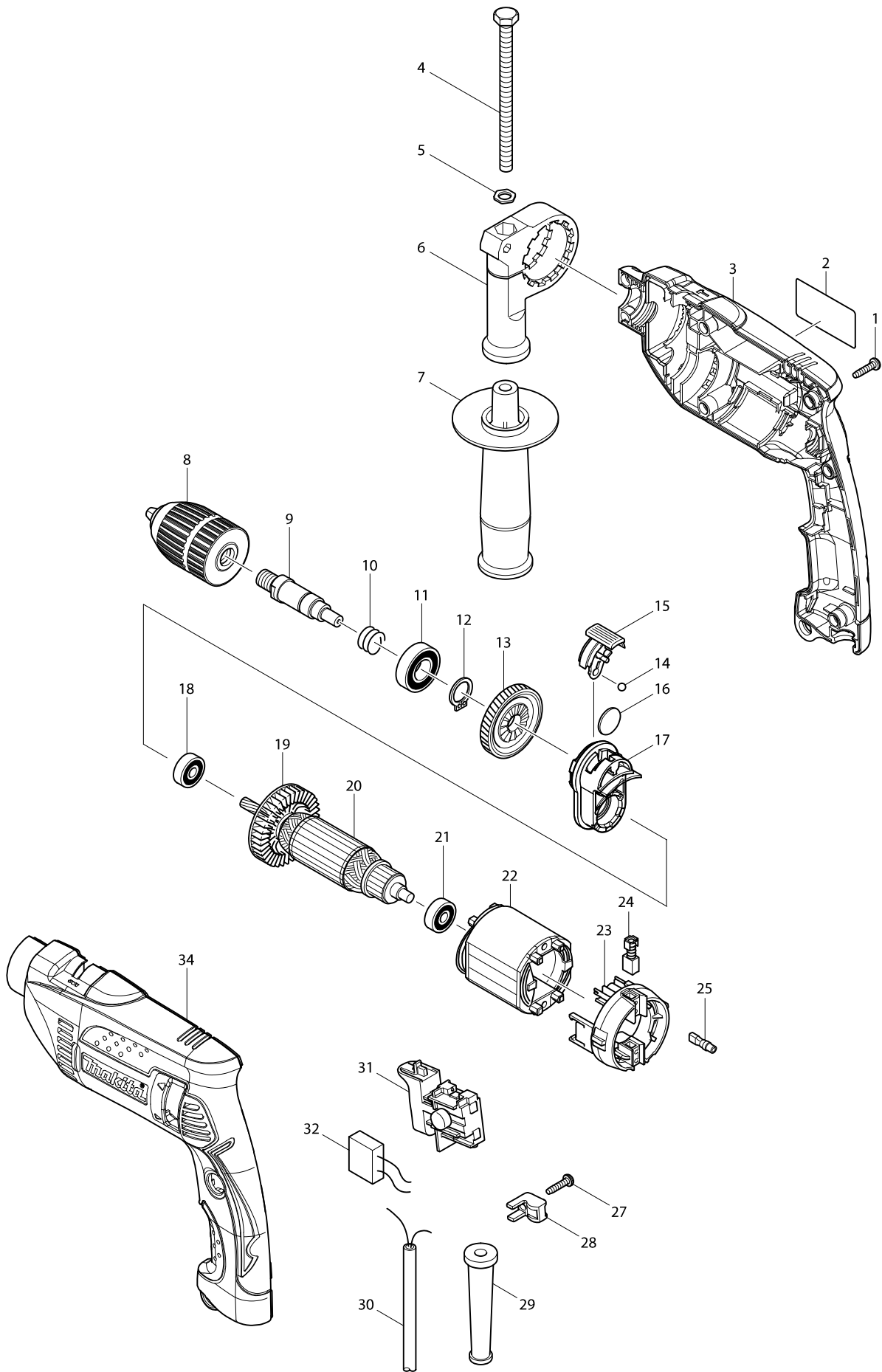


Model No. HP1641 HAMMER DRILL 16MM



# Model No. HP1641 HAMMER DRILL 16MM

Item	Parts No.	Description	I/C	QTY	N/O	Opt. 1	Opt. 2	NOTE
001	265995-6	TAPPING SCREW 4X18		7		100		
002	866006-6	HP1641 NAME PLATE		1		100		
003	188611-2	HOUSING SET		1		100		
C10	345399-9	PLATE		2		100		
D10		INC. 34						
004	265583-9	HEX. BOLT M8X120		1		100		
005	345280-4	HEX. WASHER		1		100		
006	417630-4	GRIP BASE		1		100		
007	152489-9	GRIP 36 COMPLETE		1		100		
008A	192692-0	KEYLESS DRILL CHUCK		1	*			
008B	192692-0	KEYLESS DRILL CHUCK		1	*			
008C	192692-0	KEYLESS DRILL CHUCK		1	*			
008D	192692-0	KEYLESS DRILL CHUCK		1	*			
008E	192692-0	KEYLESS DRILL CHUCK		1	*			
008F	192692-0	KEYLESS DRILL CHUCK		1	*			
008-1A	196193-0	KEYLESS DRILL CHUCK	O	1	*			
008-1B	196193-0	KEYLESS DRILL CHUCK	O	1	*			
008-1C	196193-0	KEYLESS DRILL CHUCK	O	1	*			
008-1D	196193-0	KEYLESS DRILL CHUCK	O	1	*			
008-1E	196193-0	KEYLESS DRILL CHUCK	O	1	*			
008-1F	196193-0	KEYLESS DRILL CHUCK	O	1	*			
008-1G	196193-0	KEYLESS DRILL CHUCK		1	*			
008-1H	196193-0	KEYLESS DRILL CHUCK		1	*			
008-2	196564-1	KEYLESS DRILL CHUCK	O	1				
009	324397-6	SPINDLE		1		100		
010	233389-3	COMPRESSION SPRING 15		1		100		
011	211201-7	BALL BEARING 6002LLB		1		100		
012	961055-9	RETAINING RING S-15		1		100		
013	226579-5	HELICAL GEAR 45		1		100		
014	216018-3	STEEL BALL 5.0		1		100		
015	418319-7	CHANGE LEVER		1		100		
016	345354-1	PLATE 19		1		100		
017A	153831-7	CAM HOLDER COMPLETE		1	*	100		
017B	153831-7	CAM HOLDER COMPLETE		1	*	100		
017C	153831-7	CAM HOLDER COMPLETE		1	*	100		
017D	153831-7	CAM HOLDER COMPLETE		1	*	100		
017E	153831-7	CAM HOLDER COMPLETE		1	*	100		
017F	153831-7	CAM HOLDER COMPLETE		1	*	100		
017-1A	141165-0	CAM HOLDER COMPLETE	<	1		100		
017-1B	141165-0	CAM HOLDER COMPLETE	<	1		100		
017-1C	141165-0	CAM HOLDER COMPLETE	<	1		100		
017-1D	141165-0	CAM HOLDER COMPLETE	<	1		100		
017-1E	141165-0	CAM HOLDER COMPLETE	<	1		100		
017-1F	141165-0	CAM HOLDER COMPLETE	<	1		100		
017-1G	141165-0	CAM HOLDER COMPLETE		1		100		
017-1H	141165-0	CAM HOLDER COMPLETE		1		100		
018	210023-2	BALL BEARING 627DDW		1		100		
019	240067-8	FAN 55		1		100		

Item	Parts No.	Description	I/C	QTY	N/O	Opt. 1	Opt. 2	NOTE
D10		INC. 18,19,21						
020A	517456-5	ARMATURE ASS'Y 115V		1		151		
020B	517458-1	ARMATURE ASS'Y 220-240V		1		151		
020C	517456-5	ARMATURE ASS'Y 115V		1		151		
020D	517458-1	ARMATURE ASS'Y 220-240V		1		151		
020E	517456-5	ARMATURE ASS'Y 115V		1		151		
020F	517458-1	ARMATURE ASS'Y 220-240V		1		151		
020G	517456-5	ARMATURE ASS'Y 115V		1		151		
020H	517458-1	ARMATURE ASS'Y 220-240V		1		151		
021	211028-5	BALL BEARING 627LB		1		100		
022A	633566-1	FIELD 115V		1		152		
022B	633568-7	FIELD 220-240V		1		152		
022C	633566-1	FIELD 115V		1		152		
022D	633568-7	FIELD 220-240V		1		152		
022E	633566-1	FIELD 115V		1		152		
022F	633568-7	FIELD 220-240V		1		152		
022G	633566-1	FIELD 115V		1		152		
022H	633568-7	FIELD 220-240V		1		152		
023	638237-5	BRUSH HOLDER UNIT		1		100		
024	191962-4	CARBON BRUSH CB-419		1		100		
025	686038-5	RECEPTACLE SLEEVE		2		100		
027	265995-6	TAPPING SCREW 4X18		1		100		
028	687260-7	STRAIN RELIEF		1		100		
029	682504-0	CORD GUARD 10-85		1		100		
030A	665918-8	POWER SUPPLY CORD 1.0-2-2.5		1		100		
030B	692527-0	POWER SUPPLY CORD 1.0-2-2.5		1		100		
030C	665918-8	POWER SUPPLY CORD 1.0-2-2.5		1		100		
030D	692527-0	POWER SUPPLY CORD 1.0-2-2.5		1		100		
030E	665918-8	POWER SUPPLY CORD 1.0-2-2.5		1		100		
030F	692527-0	POWER SUPPLY CORD 1.0-2-2.5		1		100		
030G	665918-8	POWER SUPPLY CORD 1.0-2-2.5		1		100		
030H	692527-0	POWER SUPPLY CORD 1.0-2-2.5		1		100		
031	650570-5	SWITCH TG843TB-2		1		100		
032A	645200-1	NOISE SUPPRESSOR		1	*	100		
032B	645200-1	NOISE SUPPRESSOR		1	*	100		
032C	645200-1	NOISE SUPPRESSOR		1	*	100		
032D	645200-1	NOISE SUPPRESSOR		1	*	100		
032E	645200-1	NOISE SUPPRESSOR		1	*	100		
032F	645200-1	NOISE SUPPRESSOR		1	*	100		
032-1A	645267-9	NOISE SUPPRESSOR	O	1		100		
032-1B	645267-9	NOISE SUPPRESSOR	O	1		100		
032-1C	645267-9	NOISE SUPPRESSOR	O	1		100		
032-1D	645267-9	NOISE SUPPRESSOR	O	1		100		
032-1E	645267-9	NOISE SUPPRESSOR	O	1		100		
032-1F	645267-9	NOISE SUPPRESSOR	O	1		100		
032-1G	645267-9	NOISE SUPPRESSOR		1		100		
032-1H	645267-9	NOISE SUPPRESSOR		1		100		
034	188611-2	HOUSING SET		1		100		

Item	Parts No.	Description	I/C	QTY	N/O	Opt. 1	Opt. 2	NOTE
C10	345399-9	PLATE		2		100		
D10		INC. 3						
A01	324219-0	DEPTH GAUGE		1				
A02C	824724-2	PLASTIC CARRYING CASE		1	*			
C10	183091-7	SLIDE LATCH RL SET		1	*			
A02D	824724-2	PLASTIC CARRYING CASE		1	*			
C10	183091-7	SLIDE LATCH RL SET		1	*			
A02E	824674-1	PLASTIC CASE		1	*			
C10	417496-2	LATCH		2	*			
C20	417497-0	HANDLE		1	*	100		
C30	418263-8	PLASTIC CASE LID		1	*	100		
C40	418264-6	PLATE		3	*	100		
A02F	824674-1	PLASTIC CASE		1	*			
C10	417496-2	LATCH		2	*			
C20	417497-0	HANDLE		1	*	100		
C30	418263-8	PLASTIC CASE LID		1	*	100		
C40	418264-6	PLATE		3	*	100		
A02G	821549-5	CONNECTOR PLASTIC CASE (TYPE1)		1				
C10	453974-8	LATCH		4		100		
A02H	821549-5	CONNECTOR PLASTIC CASE (TYPE1)		1				
C10	453974-8	LATCH		4		100		
A02-1C	824923-6	PLASTIC CARRYING CASE	<	1				
A02-1D	824923-6	PLASTIC CARRYING CASE	<	1				
A02-1E	824811-7	PLASTIC CARRYING CASE	O	1				
C10	417724-5	LATCH		2				
C20	419216-0	HANDLE		1		100		
C30	450086-8	PLASTIC CASE LID		1		100		
C40	418264-6	PLATE		3		100		
A02-1F	824811-7	PLASTIC CARRYING CASE	O	1				
C10	417724-5	LATCH		2				
C20	419216-0	HANDLE		1		100		
C30	450086-8	PLASTIC CASE LID		1		100		
C40	418264-6	PLATE		3		100		
A03E	D-08660	DRILL BIT ASSORTMENT		1				
A03F	D-08660	DRILL BIT ASSORTMENT		1				
A03G	837666-1	INNER TRAY		1	*			
A03H	837666-1	INNER TRAY		1	*			
A03-1G	838038-3	INNER TRAY	<	1				
A03-1H	838038-3	INNER TRAY	<	1				
A04G	801C94-4	HP1641J INDICATION LABEL		1				
A04H	801C94-4	HP1641J INDICATION LABEL		1				
A05G	801C95-2	HP1641J PLASTIC CASE LABEL		2				
A05H	801C95-2	HP1641J PLASTIC CASE LABEL		2				
E01A	655030-2	PLUG UK TYPE 16A-4H/110V		1				
E01C	655030-2	PLUG UK TYPE 16A-4H/110V		1				
E01E	655030-2	PLUG UK TYPE 16A-4H/110V		1				
E01G	655030-2	PLUG UK TYPE 16A-4H/110V		1				
E02A	654091-9	NON-INSULATED TERMINAL1.25-2AF		2		100		

