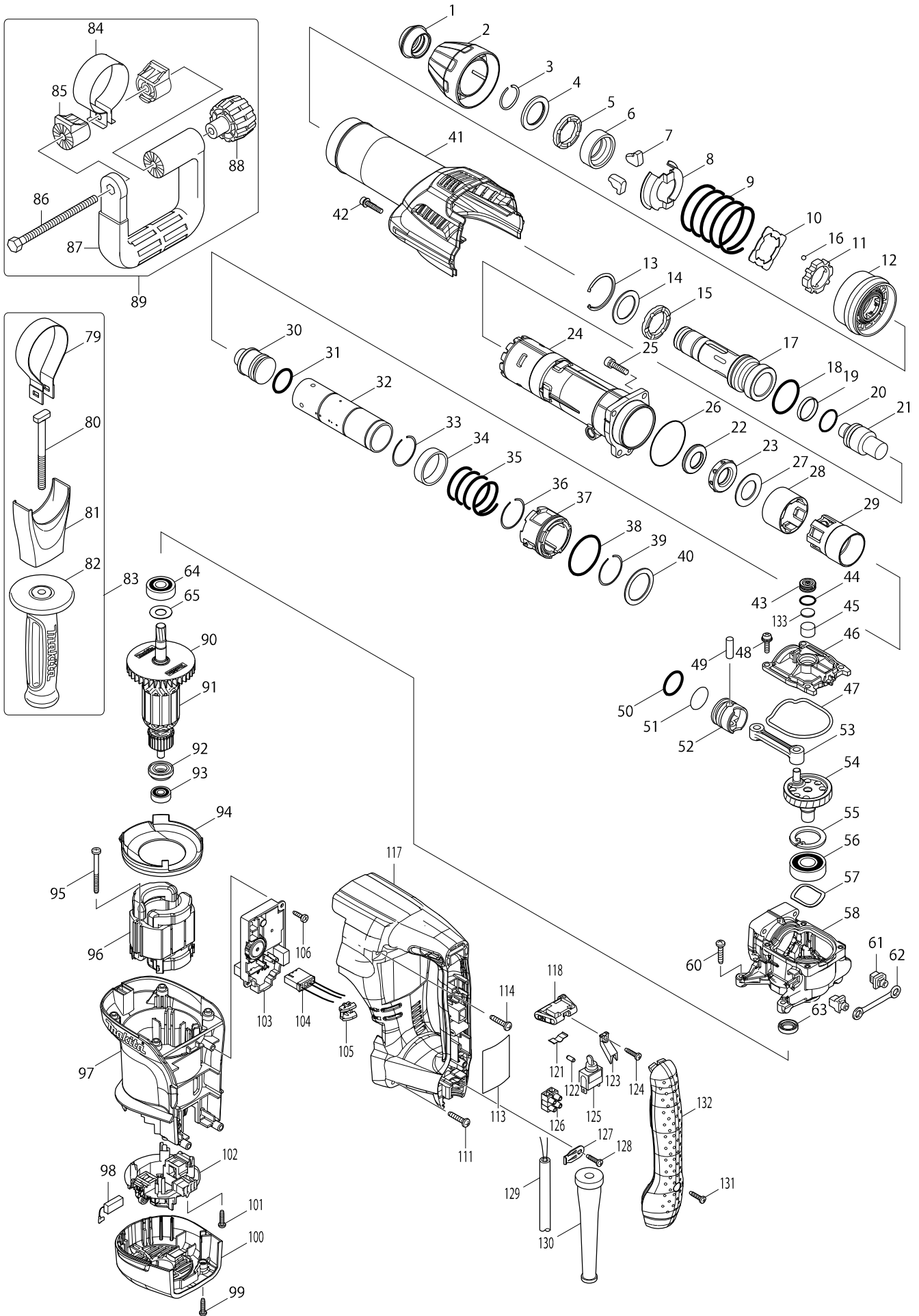


Model No. HM0870C DEMOLITION HAMMER



Model No. HM0870C DEMOLITION HAMMER

| Item | Parts No. | Description | I/C | QTY | N/O | Opt. 1 | Opt. 2 | NOTE |
|-------|-----------|--------------------------------|-----|-----|-----|--------|--------|------|
| 001 | 286287-0 | TOOL HOLDER CAP | | 1 | | 100 | | |
| 002 | 451432-8 | CHUCK COVER | | 1 | | 100 | | |
| 003 | 231984-3 | RING SPRING 25 | | 1 | | 100 | | |
| 004 | 267272-2 | FLAT WASHER 28 | | 1 | | 100 | | |
| 005 | 424261-2 | RUBBER RING 28 | | 1 | | 100 | | |
| 006 | 331659-5 | CHUCK RING | | 1 | | 100 | | |
| 007 | 310108-5 | TOOL RETAINER | | 2 | | 100 | | |
| 008 | 345360-6 | SPRING GUIDE | | 1 | * | 100 | | |
| 008-1 | 346677-0 | SPRING GUIDE | < | 1 | | 100 | | |
| 009 | 233387-7 | COMPRESSION SPRING 52 | | 1 | | 100 | | |
| 010 | 346141-1 | PLATE | | 1 | | 100 | | |
| 011 | 310145-9 | LOCK RING | | 1 | | 100 | | |
| 012 | 451433-6 | CHANGE RING | | 1 | | 100 | | |
| 013 | 257960-9 | RETAINING RING(INT) ROUND R-42 | | 1 | | 100 | | |
| 014 | 267273-0 | FLAT WASHER 29 | | 1 | | 100 | | |
| 015 | 424261-2 | RUBBER RING 28 | | 1 | | 100 | | |
| 016 | 216002-8 | STEEL BALL 4.8 | | 4 | | 100 | | |
| 017 | 324387-9 | TOOL HOLDER | | 1 | | 100 | | |
| 018 | 213527-3 | O RING 38 | | 1 | | 100 | | |
| 019 | 213431-6 | FLUORIDE RING 28 | | 1 | | 100 | | |
| 020 | 213394-6 | O RING 23 | | 1 | | 100 | | |
| 021 | 324389-5 | IMPACT BOLT | | 1 | | 100 | | |
| 022 | 325732-1 | RING 20 | | 1 | | 100 | | |
| 023 | 424245-0 | RUBBER RING 20 | | 1 | | 100 | | |
| 024 | 318512-2 | BARREL | | 1 | | 100 | | |
| 025 | 922341-3 | HEX. SOCKET HEAD BOLT M6X25 | | 4 | | 100 | | |
| 026 | 213656-2 | O RING 53 | | 1 | | 100 | | |
| 027 | 267407-5 | FLAT WASHER 23 | | 1 | | 100 | | |
| 028 | 451639-6 | GUIDE RING | | 1 | | 100 | | |
| 029 | 450098-1 | SLIDE SLEEVE | | 1 | | 100 | | |
| 030 | 324388-7 | STRIKER | | 1 | | 100 | | |
| 031 | 213958-6 | O RING 24 | | 1 | | 100 | | |
| 032 | 331658-7 | CYLINDER 32 | | 1 | | 100 | | |
| 033 | 233927-1 | RING SPRING 34 | | 1 | | 100 | | |
| 034 | 331660-0 | RING 36 | | 1 | | 100 | | |
| 035 | 233386-9 | COMPRESSION SPRING 37 | | 1 | | 100 | | |
| 036 | 233927-1 | RING SPRING 34 | | 1 | | 100 | | |
| 037 | 317719-7 | CYLINDER GUIDE | | 1 | | 100 | | |
| 038 | 213611-4 | O RING 46 | | 1 | | 100 | | |
| 039 | 233927-1 | RING SPRING 34 | | 1 | | 100 | | |
| 040 | 267079-6 | FLAT WASHER 34 | | 1 | | 100 | | |
| 041 | 451444-1 | HOUSING COVER | | 1 | | 100 | | |
| 042 | 922243-3 | HEX. SOCKET HEAD BOLT M5X25 | | 1 | | 100 | | |
| 043 | 419988-7 | FILTER CAP | | 1 | | 100 | | |
| 044 | 213218-6 | O RING 16 | | 1 | | 100 | | |
| 045 | 443129-3 | FILTER | | 1 | | 100 | | |
| 046 | 451434-4 | CRANK CAP | | 1 | | 100 | | |
| 047 | 424244-2 | SEAL RING | | 1 | | 100 | | |

Model No. HM0870C DEMOLITION HAMMER

| Item | Parts No. | Description | I/C | QTY | N/O | Opt. 1 | Opt. 2 | NOTE |
|-------|-----------|------------------------------|-----|-----|-----|--------|--------|------|
| 048 | 911233-1 | PAN HEAD SCREW M5X20 | | 4 | | 100 | | |
| 049 | 268104-6 | PIN 8 | | 1 | | 100 | | |
| 050 | 213958-6 | O RING 24 | | 1 | | 100 | | |
| 051 | 213432-4 | O RING 26 | | 1 | | 100 | | |
| 052 | 418349-8 | PISTON | | 1 | | 100 | | |
| 053 | 418350-3 | CONNECTING ROD | | 1 | | 100 | | |
| 054 | 325735-5 | CRANK SHAFT 17 | | 1 | | 100 | | |
| 055 | 962157-4 | RETAINING RING R-40 | | 1 | | 100 | | |
| 056 | 211281-3 | BALL BEARING 6203LLU | | 1 | * | 100 | | |
| 056-1 | 211490-4 | BALL BEARING 6203LLU | O | 1 | | 100 | | |
| 057 | 267825-7 | WAVE WASHER 30 | | 1 | | 100 | | |
| 058 | 140206-9 | CRANK HOUSING COMPLETE | | 1 | | 100 | | |
| 060 | 266041-8 | TAPPING SCREW 5X25 | | 4 | | 100 | | |
| 061 | 419008-7 | FIX GUIDE | | 2 | | 100 | | |
| 062 | 423345-3 | CUSHION PLATE | | 1 | | 100 | | |
| 063 | 213133-4 | OIL SEAL 12 | | 1 | * | 100 | | |
| 063-1 | 213678-2 | OIL SEAL 12 | O | 1 | | 100 | | |
| 064 | 211106-1 | BALL BEARING 6201LLB | | 1 | | 100 | | |
| 065 | 253759-0 | FLAT WASHER 12 | | 1 | | 100 | | |
| 084 | 152620-7 | SIDE HANDLE BASE 60 COMPLETE | | 1 | | 100 | | |
| 085 | 417002-3 | SIDE HANDLE CAM | | 2 | | 100 | | |
| 086 | 265439-6 | HEX. BOLT M8X150 | | 1 | | 100 | | |
| 087 | 417003-1 | SIDE HANDLE | | 1 | | 100 | | |
| 088 | 252640-2 | WING NUT M8 | | 1 | | 100 | | |
| 089 | 134909-5 | SIDE HANDLE ASS'Y | | 1 | | 100 | | |
| D10 | | INC. 84-88 | | | | | | |
| 090 | 240119-5 | FAN 76 | | 1 | | 100 | | |
| D10 | | INC. 90,92,93 | | | | | | |
| 091A | 513791-9 | ARMATURE ASSEMBLY 115V | | 1 | | 100 | | |
| 091B | 513793-5 | ARMATURE ASSEMBLY 220-240V | | 1 | | 100 | | |
| 092 | 681650-6 | INSULATION WASHER | | 1 | | 100 | | |
| 093 | 210005-4 | BALL BEARING 608DDW | | 1 | | 100 | | |
| 094 | 451438-6 | BAFFLE PLATE | | 1 | | 100 | | |
| 095 | 266095-5 | TAPPING SCREW 5X55 | | 2 | | 100 | | |
| 096A | 625756-0 | FIELD 115V | | 1 | | 152 | | |
| 096B | 625764-1 | FIELD 240V | | 1 | | 152 | | |
| 097 | 451423-9 | MOTOR HOUSING | | 1 | | 100 | | |
| 098 | 194160-9 | CARBON BRUSH CB-350 | | 1 | | 100 | | |
| 099 | 265995-6 | TAPPING SCREW 4X18 | | 2 | | 100 | | |
| 100 | 451442-5 | REAR COVER | | 1 | | 100 | | |
| 101 | 265995-6 | TAPPING SCREW 4X18 | | 4 | | 100 | | |
| 102 | 638674-3 | BRUSH HOLDER UNIT | | 1 | | 100 | | |
| 103A | 631929-5 | CONTROLLER | | 1 | | 100 | | |
| 103B | 631930-0 | CONTROLLER | | 1 | | 100 | | |
| 104 | 638675-1 | LEAD UNIT | | 1 | | 100 | | |
| 105 | 451428-9 | LENS | | 1 | | 100 | | |
| 106 | 266192-7 | TAPPING SCREW 4X14 | | 2 | * | 100 | | |
| 106-1 | 266901-4 | TAPPING SCREW 4X14 | < | 2 | | | | |

Model No. HM0870C DEMOLITION HAMMER

| Item | Parts No. | Description | I/C | QTY | N/O | Opt. 1 | Opt. 2 | NOTE |
|-------|-----------|---------------------------------|-----|-----|-----|--------|--------|------|
| 111 | 266041-8 | TAPPING SCREW 5X25 | | 2 | | 100 | | |
| 113 | 867390-2 | HM0870C NAME PLATE | | 1 | * | 100 | | |
| 113-1 | 814H49-0 | HM0870C NAME PLATE | O | 1 | | 100 | | |
| 114 | 266041-8 | TAPPING SCREW 5X25 | | 2 | | 100 | | |
| 117 | 140207-7 | HANDLE COMPLETE | | 1 | | 100 | | |
| 118 | 451440-9 | SLIDE LEVER | | 1 | | 100 | | |
| 121 | 232209-8 | LEAF SPRING | | 1 | | 100 | | |
| 122 | 263027-3 | RUBBER PIN 4 | | 1 | | 100 | | |
| 123 | 451427-1 | SWITCH LEVER | | 1 | | 100 | | |
| 124 | 265995-6 | TAPPING SCREW 4X18 | | 1 | | 100 | | |
| 125 | 651418-4 | SWITCH ST115A-40 | | 1 | | 100 | | |
| 126 | 654531-7 | TERMINAL BLOCK 2P | | 1 | | 100 | | |
| 127 | 687169-3 | STRAIN RELIEF | | 1 | | 100 | | |
| 128 | 265995-6 | TAPPING SCREW 4X18 | | 1 | | 100 | | |
| 129A | 695228-9 | POWER SUPPLY CORD 1.5-2-4.0 | | 1 | | 100 | | |
| 129B | 692623-4 | POWER SUPPLY CORD 1.5-2-4.0 | | 1 | | 100 | | |
| 130 | 682560-0 | CORD GUARD 10 | | 1 | | 100 | | |
| 131 | 265995-6 | TAPPING SCREW 4X18 | | 1 | | 100 | | |
| 132 | 451445-9 | HANDLE COVER | | 1 | | 100 | | |
| 133 | 423411-6 | RUBBER PLATE | | 1 | | 100 | | |
| A01 | 194683-7 | GREASE VESSEL SET | | 1 | * | | | |
| A01-1 | 198993-4 | GREASE VESSEL SET | < | 1 | | | | |
| A02 | 443122-7 | CLOTH | | 1 | | 100 | | |
| A03 | 824905-8 | PLASTIC CARRYING CASE | | 1 | | | | |
| C10 | 162271-8 | LATCH | | 2 | | 100 | | |
| C20 | 450990-1 | HANDLE | | 1 | | 100 | | |
| C30 | 325809-2 | SHAFT | | 1 | | 100 | | |
| A04 | 809667-9 | HM0870C PLASTIC CASE LABEL | | 2 | * | | | |
| A04-1 | 801F95-0 | HM0870C PLASTIC CASE LABEL | < | 2 | | 100 | | |
| E01A | 655030-2 | PLUG UK TYPE 16A-4H/110V | | 1 | | | | |
| E02A | 654091-9 | NON-INSULATED TERMINAL 1.25-2AF | | 2 | | 100 | | |
| E03 | 801G22-3 | CLEAR LABEL | | 1 | | 100 | | |
| | | | | | | | | |
| | | | | | | | | |
| | | | | | | | | |
| | | | | | | | | |
| | | | | | | | | |
| | | | | | | | | |
| | | | | | | | | |
| | | | | | | | | |
| | | | | | | | | |
| | | | | | | | | |
| | | | | | | | | |
| | | | | | | | | |
| | | | | | | | | |
| | | | | | | | | |
| | | | | | | | | |