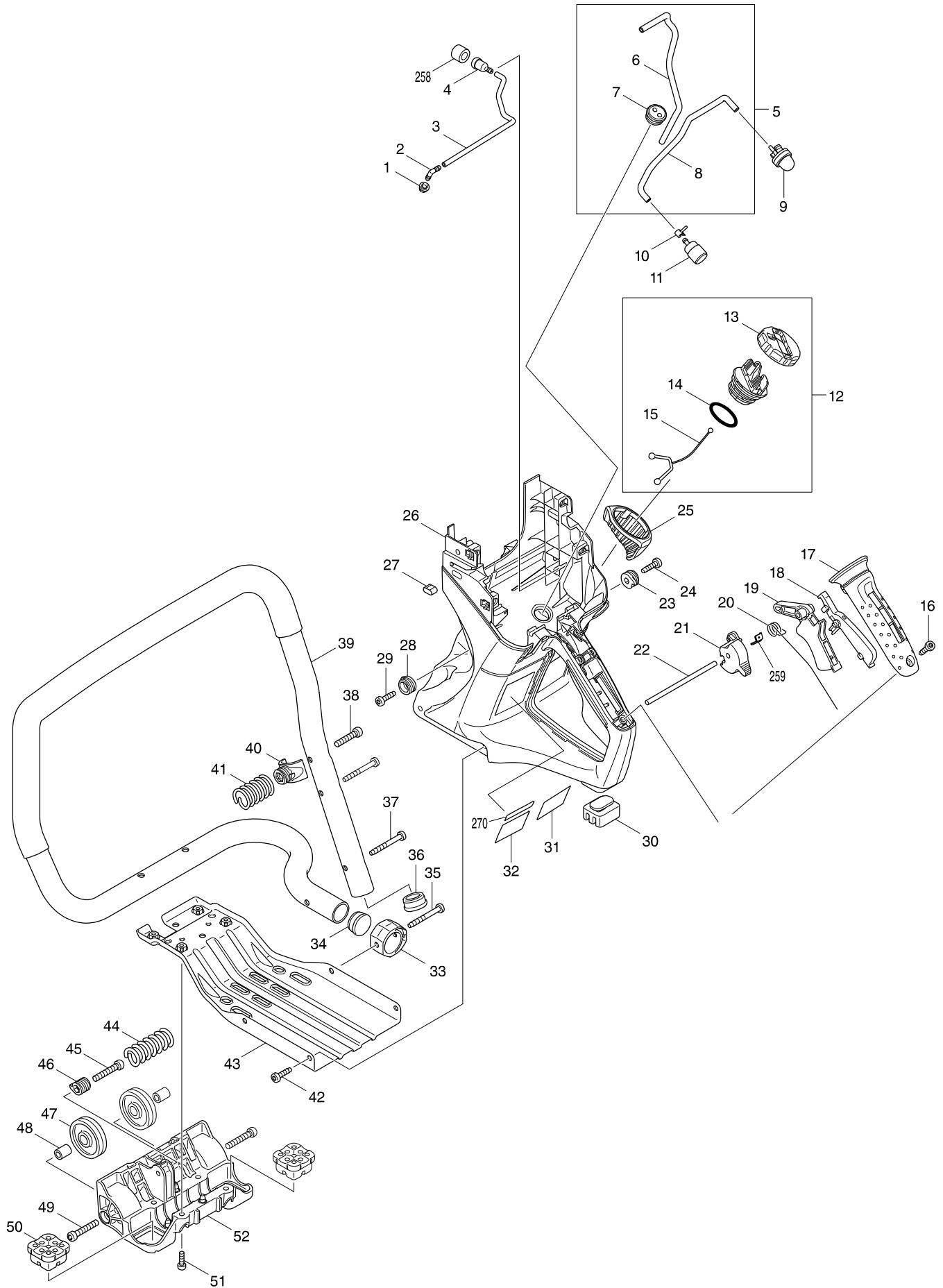
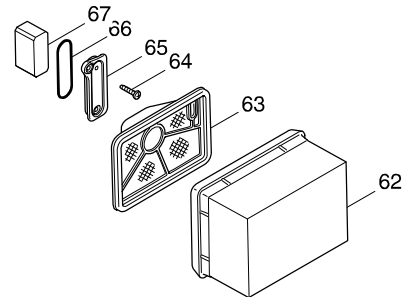
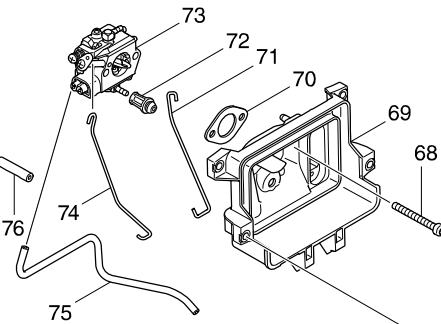
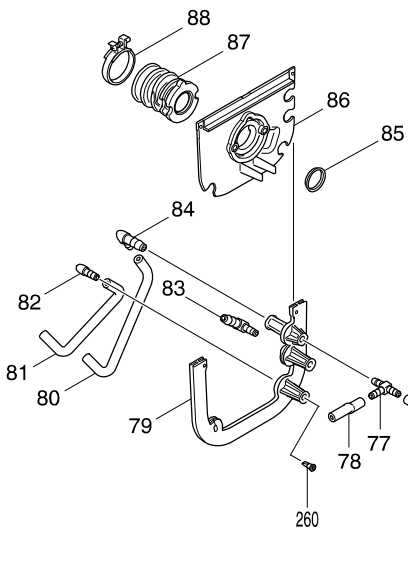
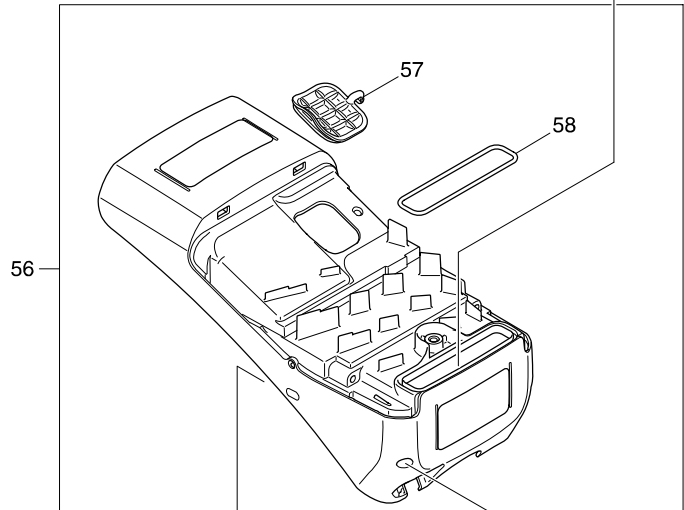
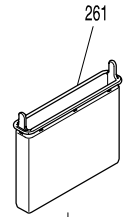
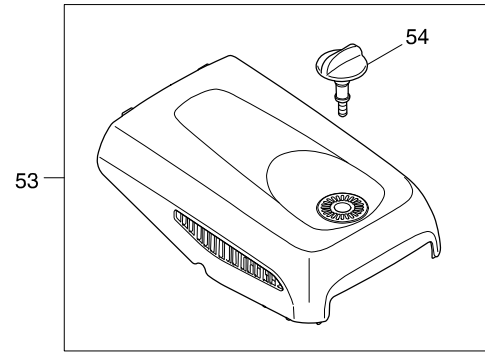


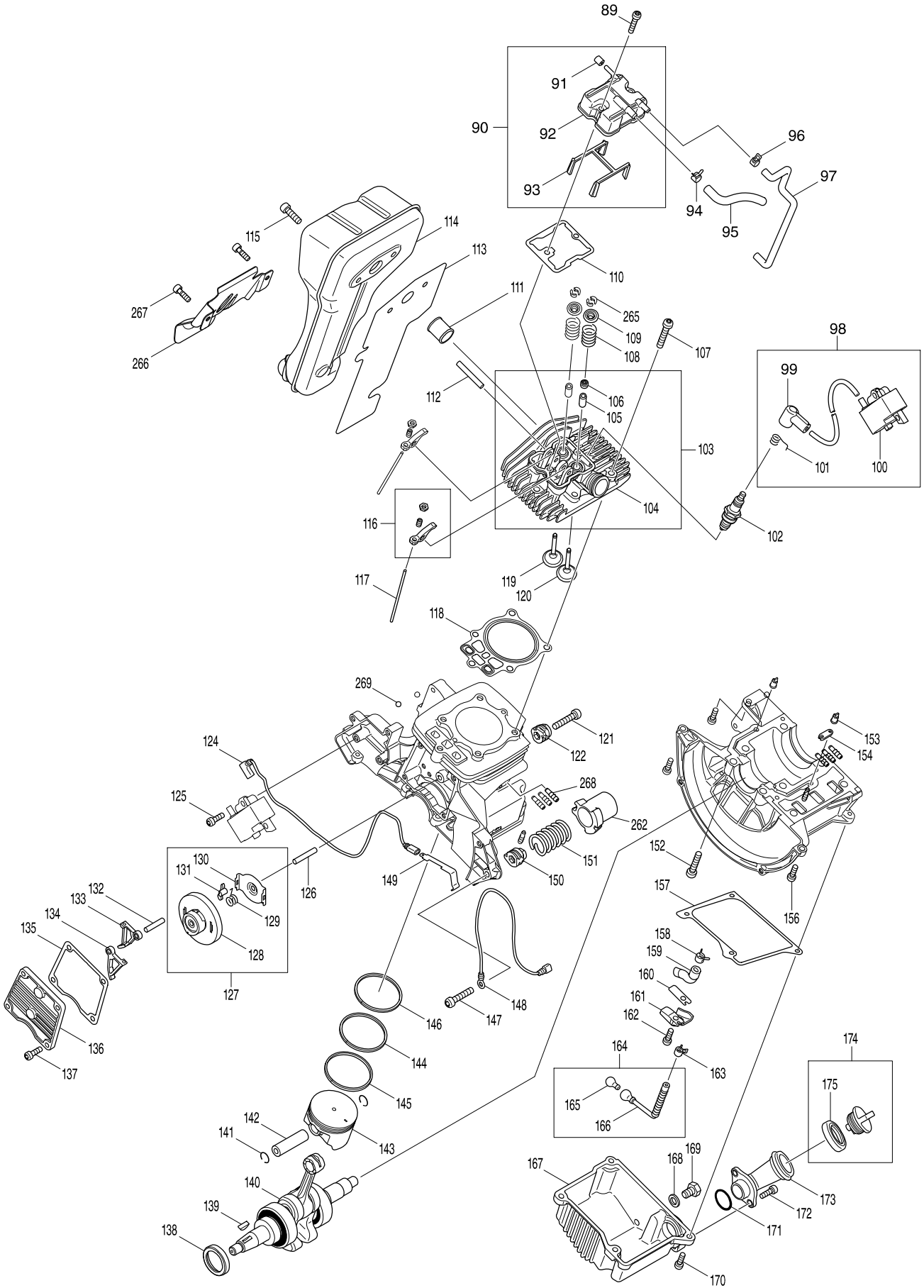
Model No. EK7650H POWER CUTTER



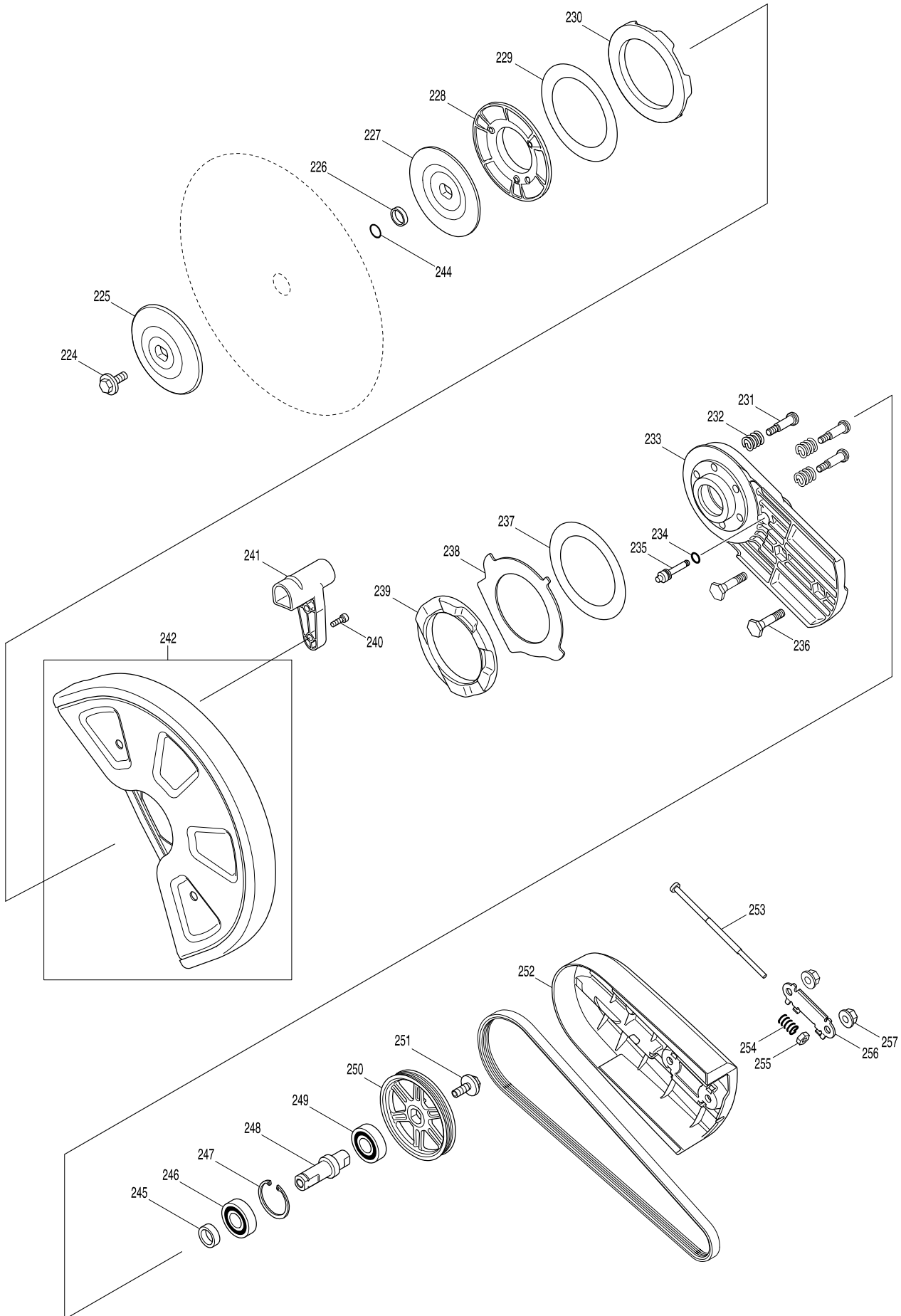
Model No. EK7650H POWER CUTTER



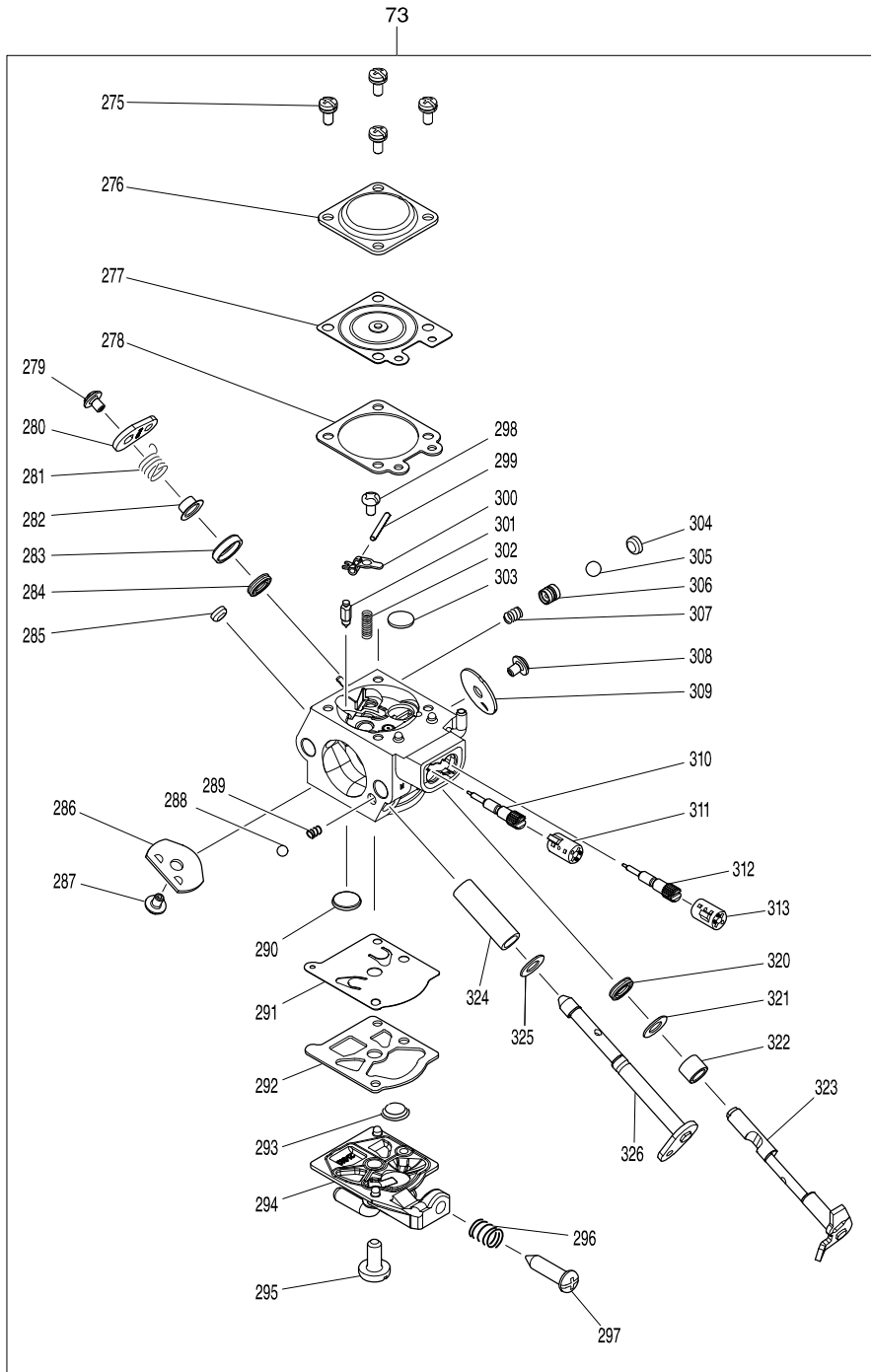
Model No. EK7650H POWER CUTTER



Model No. EK7650H POWER CUTTER



Model No. EK7650H POWER CUTTER



Model No. EK7650H POWER CUTTER

Item	Parts No.	Description	I/C	QTY	N/O	Opt. 1	Opt. 2	NOTE
001	421875-8	GROMMET		1		154		
002	452800-8	HOSE JOINT 4-4		1		154		
003	422083-4	TUBE 3-190		1		154		
004	168396-6	BREATHER		1		154		
005	142150-6	TUBE COMPLETE		1		100		
D10		INC. 6-8						
006	422074-5	TUBE 3-120		1		100		
007	424101-4	GROMMET		1		100		
008	422119-9	TUBE 3-300		1		100		
009	168398-2	PRIMER PUMP		1		154		
010	324616-0	HOSE CLAMP		1		100		
011	163447-0	FUEL FILTERLTER		1	*	154		
011-1	163447-0	FUEL FILTERLTER	O	1		154		
012	140831-6	TANK CAP COMPLETE		1		154		
D10		INC. 13-15						
013	452697-5	TANK CAP KNOB		1		154		
014	213080-9	O RING 29.5		1	*	100		
014-1	213831-0	O-RING 29.5	<	1				
015	450957-9	STRAP		1		100		
016	266475-5	TAPPING SCREW TORX 5.5X20		1		100		
017	452736-1	GRIP COVER		1		154		
018	452722-2	LOCK OFF LEVER		1		154		
019	452721-4	THROTTLE LEVER		1		154		
020	233590-0	TORSION SPRING 12		1		100		
021	452723-0	SWITCH LEVER		1		154		
022	256520-4	ROD 5		1		100		
023	452742-6	REAR INNER HOLDER		1		154		
024	266475-5	TAPPING SCREW TORX 5.5X20		1		100		
025	424408-8	TANK GUARD		1		154		
026	140774-2	TANK COMPLETE		1		154		
C10	898274-3	INDICATION LABEL		1		100		
C20	264066-6	SQUARE NUT M5-10		4				
027	424583-0	PLUG		1		100		
028	452742-6	REAR INNER HOLDER		1		154		
029	266475-5	TAPPING SCREW TORX 5.5X20		1		100		
030	424404-6	REAR FOOT		1		154		
031	869677-8	EK7650H NAME PLATE		1	*	100		
031-1	850F83-4	EK7650H NAME PLATE	O	1				
033	452737-9	CLAMP		1		154		
034	424410-1	RUBBER CAP		1		154		
035	266687-0	TAPPING SCREW 5.5X45		1		154		
036	424410-1	RUBBER CAP		1		154		
037	266687-0	TAPPING SCREW 5.5X45		2		154		
038	266659-5	H.L. SOCKET HEAD BOLT M6X30		1		154		
039	331940-4	FRONT HANDLE		1		154		
040	452741-8	CENTER OUTER HOLDER		1		154		
041	234214-1	COMPRESSION SPRING 16		1		100		
042	266475-5	TAPPING SCREW TORX 5.5X20		3		100		

Model No. EK7650H POWER CUTTER

Item	Parts No.	Description	I/C	QTY	N/O	Opt. 1	Opt. 2	NOTE
043	346433-8	BOTTOM PLATE		1		154		
044	234213-3	COMPRESSION SPRING 13		1		100		
045	266659-5	H.L. SOCKET HEAD BOLT M6X30		1		154		
046	452740-0	FRONT INNER HOLDER		1		154		
047	318727-1	ROLLER 45		2		154		
048	257972-2	SLEEVE 6.5		2		100		
049	266660-0	H.L. SOCKET HEAD BOLT M6X35		2		154		
050	424405-4	FRONT FOOT		2		154		
051	266652-9	H.L. SOCKET HEAD BOLT M5X16		4	*	154		
051-1	266849-0	H.L. SOCKET HEAD BOLT M5X16	O	4				
052	318712-4	GUARD		1		100		
053	140903-7	TOP COVER COMPLETE		1		154		
D10		INC. 54						
054	266692-7	THUMB SCREW M6X15		1		154		
056	141040-0	FILTER COVER COMPLETE		1		154		
C10	893210-4	CAUTION LABEL		1		100		
C20	893211-2	CAUTION LABEL		1		100		
D10		INC. 57,58						
057	424409-6	PLUG COVER		1		154		
058	424417-7	PACKING		1		154		
061	266656-1	H.L. SOCKET HEAD BOLT M5X40		4		154		
062	442165-6	AIR FILTER		1				
063	424399-3	INNER FILTER		1		154		
064	266127-8	+ TAPPING SCREW PT 3X20		2		100		
065	452739-5	SEPARATER COVER		1		154		
066	213459-4	O RING 32		1		100		
067	352012-2	SEPARATOR MESH		1		154		
068	266657-9	H.L. SOCKET HEAD BOLT M5X45		2		154		
069	452720-6	FILTER BRACKET		1		154		
070	442166-4	CARBURETOR GASKET		1		154		
071	326040-3	THROTTLE LINKAGE		1		154		
072	424407-0	RUBBER JOINT		1		154		
073	168653-2	CARBURETOR WT		1		154		
D10		INC. 275-293,296-313,320-326						
074	326041-1	CHOKE LINKAGE		1		154		
075	422077-9	TUBE 3-190		1		154		
076	422080-0	TUBE 3-35		1		154		
077	452952-5	HOSE JOINT		1		154		
078	422079-5	TUBE 3-45		1		154		
079	424418-5	SEAL		1		154		
080	422082-6	TUBE 3-130		1		154		
081	422081-8	TUBE 3-75		1		154		
082	452951-7	HOSE JOINT 4-4		1		154		
083	452799-7	HOSE JOINT 4-6		1		154		
084	452799-7	HOSE JOINT 4-6		1		154		
085	346397-6	GUIDE RING		1		100		
086	452724-8	CARBURETOR MOUNT		1		154		
087	424397-7	SUCTION LINE		1		154		

Model No. EK7650H POWER CUTTER

Item	Parts No.	Description	I/C	QTY	N/O	Opt. 1	Opt. 2	NOTE
088	346495-6	HOSE CLAMP 30		1		154		
089	266654-5	H.L. SOCKET HEAD BOLT M5X25		2	*	154		
089-1	266852-1	H.L. SOCKET HEAD BOLT M5X25	O	2				
090	140898-4	ROCKER COVER COMPLETE		1		154		
D10		INC. 91-93						
091	422073-7	TUBE 3-8		1		154		
092	318708-5	ROCKER COVER		1		100		
093	452726-4	OIL LINE		1		154		
094	345918-1	HOSE CLAMP		1		154		
095	422078-7	TUBE 5-70		1		154		
096	345918-1	HOSE CLAMP		1		154		
097	422076-1	TUBE 3-170		1		154		
098	126006-1	IGNITION COIL ASSEMBLY		1		154		
D10		INC. 99-101						
099	424105-6	PLUG CAP		1		154		
100	125920-8	IGNITION COIL		1		154		
101	326148-3	PLUG CAP SPRING		1		100		
102	168652-4	SPARK PLUG		1		154		
103	125946-0	CYLINDER HEAD ASSEMBLY		1	*	154		
D10		INC. 104-106			*			
103-1	135752-5	CYLINDER HEAD ASSEMBLY	<	1	*			
C10	125946-0	CYLINDER HEAD ASSEMBLY		1	*	154		
D10		INC. 104-106,108,109,112			*			
D20		INC. 116,119,120,265			*			
103-2	135785-0	CYLINDER HEAD ASS'Y	S	1				
C10	123772-1	CYLINDER HEAD ASSEMBLY		1				
D10		INC. 104-106,108,109,112						
D20		INC. 116,119,120,265						
104	140928-1	CYLINDER HEAD COMPLETE		1	*	154		
104-1	144051-4	CYLINDER HEAD COMPLETE	S	1				
105	331969-0	VALVE GUIDE		2		154		
106	424424-0	VALVE STEM SEAL		1		154		
107	266660-0	H.L. SOCKET HEAD BOLT M6X35		5		154		
108	234212-5	COMPRESSION SPRING 11		2		154		
109	331966-6	RETAINER		2		154		
110	346400-3	ROCKER COVER GASKET		1	*	154		
110-1	161301-2	ROCKER COVER GASKET	<	1				
111	331937-3	EXHAUST PORT SPACER		1		154		
112	256201-0	PIN 5		1	*	100		
112-1	268310-3	PIN 5	O	1				
113	346399-2	MUFFLER GASKET		1		154		
114	168638-8	EXHAUST MUFFLER		1		154		
115	266693-5	H.L. SOCKET HEAD BOLT M6X18		3	*	154		
115-1	266693-5	H.L. SOCKET HEAD BOLT M6X18	<	3		154		
116	126005-3	ROCKER ARM ASSEMBLY		2		154		
117	256526-2	PUSH ROD		2		154		
118	442167-2	CYLINDER HEAD GASKET		1		154		
119	331965-8	EXHAUST VALVE		1		154		

Model No. EK7650H POWER CUTTER

Item	Parts No.	Description	I/C	QTY	N/O	Opt. 1	Opt. 2	NOTE
120	331964-0	INTAKE VALVE		1		154		
121	266659-5	H.L. SOCKET HEAD BOLT M6X30		1		154		
122	318729-7	CENTER INNER HOLDER		1		154		
123	140901-1	CYLINDER BLOCK COMPLETE		1	*	154		
123-1	123578-7	ENGINE BLOCK ASSY(FOR SERVICE)	<	1				
C10	140901-1	CYLINDER BLOCK COMPLETE		1		154		
D10		INC. 89,90,103,107,110,117,118						
D20		INC. 126,127,132-138,140-146						
D30		INC. 152-154,156-164,167-174						
D40		INC. 184,185						
124	638776-5	LEAD UNIT		1		154		
125	266652-9	H.L. SOCKET HEAD BOLT M5X16		2	*	154		
125-1	266849-0	H.L.SOCKET HEAD BOLT M5X16	O	2				
126	256200-2	PIN 5		1		100		
127	125934-7	CAM GEAR ASSEMBLY		1	*	154		
D10		INC. 128-131			*			
127-1	123299-1	CAM GEAR ASSEMBLY	<	1				
D10		INC. 128-131						
128	140817-0	CAM GEAR COMPLETE		1		154		
129	233582-9	TORSION SPRING 9		1	*	100		
129-1	233623-1	TORSION SPRING 9	<	1				
130	346434-6	CAM GEAR PLATE		1		154		
131	318707-7	FLY WEIGHT		1		154		
132	256186-0	PIN 5		1		100		
133	313209-8	CAM LIFTER L		1		154		
134	313210-3	CAM LIFTER R		1		154		
135	442168-0	CAM GEAR GASKET		1		154		
136	318725-5	CAM GEAR COVER		1		154		
137	266652-9	H.L. SOCKET HEAD BOLT M5X16		4	*	154		
137-1	266849-0	H.L.SOCKET HEAD BOLT M5X16	O	4				
138	213599-8	OIL SEAL 17		1	*	154		
138-1	213599-8	OIL SEAL 17	O	1		154		
139	254001-2	WOODRUFF KEY 4		1		100		
140	140900-3	CRANKSHAFT COMPLETE		1		154		
141	233995-4	RING SPRING 12		2		100		
142	326039-8	PISTON PIN		1		100		
143	318726-3	PISTON		1	*	154		
143-1	197457-5	PISTON SET	<	1				
C10	318726-3	PISTON		1		154		
D10		INC. 141,144						
144	257332-8	SECOND RING		1	*	154		
144-1	197458-3	PISTON RING SET	<	1				
145	257333-6	OIL RING		1	*	154		
146	257331-0	TOP RING		1	*	154		
147	266659-5	H.L. SOCKET HEAD BOLT M6X30		1		154		
148	638777-3	LEAD UNIT		1		154		
149	232268-2	CONTACT SPRING		1		100		
150	318730-2	REAR OUTER HOLDER		1		154		

Model No. EK7650H POWER CUTTER

Item	Parts No.	Description	I/C	QTY	N/O	Opt. 1	Opt. 2	NOTE
151	234214-1	COMPRESSION SPRING 16		1		100		
152	266659-5	H.L. SOCKET HEAD BOLT M6X30		8		154		
153	424201-0	CHECK VALVE		2		154		
154	424406-2	GROMMET		1		154		
156	266652-9	H.L. SOCKET HEAD BOLT M5X16		3	*	154		
156-1	266849-0	H.L.SOCKET HEAD BOLT M5X16	O	3				
157	452738-7	OIL CASE GASKET		1		154		
158	345918-1	HOSE CLAMP		1		154		
159	422084-2	TUBE 5-55		1		154		
160	346398-4	LEAD VALVE		1		100		
161	318709-3	RETAINER PLATE		1		154		
162	266652-9	H.L. SOCKET HEAD BOLT M5X16		1	*	154		
162-1	266849-0	H.L.SOCKET HEAD BOLT M5X16	O	1				
163	345918-1	HOSE CLAMP		1		154		
164	168655-8	OIL TUBE COMPLETE		1		154		
D10		INC. 165,166						
165	326177-6	OIL WEIGHT		1		100		
166	424384-6	OIL TUBE		1		154		
167	318710-8	OIL CASE		1		100		
168	346452-4	GASKET		1		154		
169	921412-3	HEX. BOLT M8X12		1		100		
170	266652-9	H.L. SOCKET HEAD BOLT M5X16		4	*	154		
170-1	266849-0	H.L.SOCKET HEAD BOLT M5X16	O	4				
171	213548-5	O-RING 20		1		100		
172	266862-8	H.L.S.H. BOLT M5X16 WITH WR		2		100		
173	452614-5	OIL PIPE		1		154		
174	140899-2	OIL CAP COMPLETE		1		154		
D10		INC. 175						
175	424421-6	OIL CAP GASKET		1		154		
176	318704-3	FLYWHEEL		1		154		
177	264054-3	FLANGE NUT M10		1		154		
178	452617-9	CYLINDER COVER		1		154		
179	266652-9	H.L. SOCKET HEAD BOLT M5X16		1	*	154		
179-1	266849-0	H.L.SOCKET HEAD BOLT M5X16	O	1				
180	452616-1	FAN COVER		1		154		
181	266655-3	H.L. SOCKET HEAD BOLT M5X30		4		154		
182	266659-5	H.L. SOCKET HEAD BOLT M6X30		1		154		
183	318728-9	FRONT OUTER HOLDER		1		154		
184	267448-1	FLAT WASHER 41		1		154		
185	213598-0	OIL SEAL(L)		1		154		
186	318711-6	CUTTING ARM		1	*	100		
186-1	319234-7	CUTTING ARM	S	1				
187	234214-1	COMPRESSION SPRING 16		1		100		
188	318730-2	REAR OUTER HOLDER		1		154		
189	266659-5	H.L. SOCKET HEAD BOLT M6X30		1		154		
190	266658-7	H.L. SOCKET HEAD BOLT M6X25		5		154		
191	225094-6	V BELT 5-800		1				
192	331970-5	SPACER17		1		154		

Model No. EK7650H POWER CUTTER

Item	Parts No.	Description	I/C	QTY	N/O	Opt. 1	Opt. 2	NOTE
193	125945-2	CLUTCH DRUM ASSEMBLY		1		154		
D10		INC. 194-196						
194	165636-3	CLUTCH DRUM		1		154		
195	962163-9	RETAINING RING R-35		1		154		
196	210138-5	BALL BEARING 6003LLU		1		154		
197	331970-5	SPACER17		1		154		
198	168656-6	CLUTCH COMPLETE		1	*	154		
D10		INC. 199-201			*			
198-1	168834-8	CLUTCH COMPLETE	<	1		154		
D10		INC. 199-201						
199	231871-6	TENSION SPRING 6		3	*	100		
199-1	231884-7	TENSION SPRING 6	<	3		100		
200	313207-2	CLUTCH SHOE		3		154		
201	313208-0	CLUTCH HOLDER		1		154		
202	893120-5	EK7650H MODEL NO.LABEL		1		100		
203	266792-3	H.L. SOCKET HEAD BOLT M5X18		3		154		
204	125919-3	STARTER ASSEMBLY		1		154		
D10		INC. 205-212						
205	424501-8	STARTER KNOB		1		100		
206	332046-1	ROPE GUIDE		1		154		
207	452613-7	STARTER CASE		1		154		
208	232262-4	SPIRAL SPRING		1		100		
209	444040-2	STARTER ROPE		1		154		
210	424500-0	ROPE STOPPER		1		100		
211	453466-7	REEL		1		154		
212	266634-1	SET SCREW M6X20		1		100		
213	452930-5	HOLDER		1		100		
214	266653-7	H.L. SOCKET HEAD BOLT M5X20		3	*	154		
214-1	266847-4	H.L.SOCKET HEAD BOLT M5X20	O	3	*			
214-2	266851-3	H.L.BIND BOLT M5X20	<	3				
215	452621-8	CLUTCH COVER		1	*	154		
215-1	455559-6	CLUTCH COVER	S	1				
216	264080-2	HEX. LOCK NUT M10-17		1		100		
218	266784-2	H.L. SOCKET HEAD BOLT M5X12		3	*	154		
218-1	266859-7	H.L.SOCKET HEAD BOLT M5X12	O	3				
219	140816-2	RATCHET COMPLETE		1	*			
219-1	144100-7	RATCHET COMPLETE	O	1				
C10	347089-0	RATCHET		2				
C20	347090-5	RATCHET HOLDER		1				
C30	251505-5	HEX. BOLT M5		2				
C40	232333-7	TORSION SPRING 15		2				
224	266690-1	HEX. BOLT M8X25		1		154		
225	224443-4	FLANGE 102		1	*	154		
225-1	224478-5	FLANGE 102	O	1				
226	257312-4	RING17		1		100		
227	224443-4	FLANGE 102		1	*	154		
227-1	224478-5	FLANGE 102	O	1				
228	318746-7	PRESSURE RING		1		154		

Model No. EK7650H POWER CUTTER

Item	Parts No.	Description	I/C	QTY	N/O	Opt. 1	Opt. 2	NOTE
229	442169-8	SLIDING DISC		1		154		
230	424426-6	RUBBER RING(INNER)		1		154		
231	266689-6	H.L.COLLAR BOLT M6		3	*	154		
231-1	266970-5	H.L.SOCKET HEAD COLLAR BOLT M6	O	3				
232	234216-7	COMPRESSION SPRING 8		3	*	100		
232-1	234374-9	COMPRESSION SPRING 8	O	3				
233	318722-1	CUTTING DEVICE		1		100		
234	213625-3	O-RING 9		1		154		
235	326038-0	LOCK SHAFT		1		100		
236	266688-8	HEX. BOLT M8		2	*	154		
236-1	266969-0	HEX. BOLT M8	<	2				
237	442169-8	SLIDING DISC		1		154		
238	346455-8	IMPACT PLATE		1		154		
239	424427-4	RUBBER RING(OUTER)		1		154		
240	266725-8	-H.L.SOCKET HEAD BOLT M5X16		2		154		
241	452938-9	GRIP		1				
242	140925-7	HOOD COMPLETE		1		154		
C10	893215-4	CAUTION LABEL		1		100		
244	213162-7	O RING 14		1		100		
245	257971-4	RING 17		1		100		
246	211281-3	BALL BEARING 6203LLU		1		100		
247	962157-4	RETAINING RING R-40		1		100		
248	326062-3	SPINDLE		1		100		
249	211281-3	BALL BEARING 6203LLU		1		100		
250	222174-9	V PULLEY 5-95.8		1		100		
251	266690-1	HEX. BOLT M8X25		1		154		
252	452698-3	BELT COVER		1	*	154		
252-1	455936-2	BELT COVER	S	1				
253	266691-9	TENSIONING SCREW M6		1		154		
254	234215-9	COMPRESSION SPRING 6		1		100		
255	252157-5	SQUARE NUT M6		1		100		
256	346457-4	PLATE		1		154		
257	264081-0	HEX. NUT M8		2	*	100		
257-1	264055-1	COLLARED HEX. NUT M8	S	2		100		
258	424023-8	SPONGE SLEEVE 9		1		100		
259	346554-6	PLATE		1		154		
260	424316-3	CHECK VALVE		1		154		
261	166106-5	DUST BAG		1				
262	424499-9	RUBBER SLEEVE 22		1		154		
263	800E23-6	CAUTION LABEL		1		100		
264	346611-0	STARTER COVER GASKET		1		154		
265	331967-4	COTTER		4		154		
266	346589-7	MUFFLER GUARD		1		100		
267	266782-6	H.L.S. HEAD BOLT M5X16 WITH WG		2		100		
268	325665-0	JOINT PIPE		4		100		
269	331897-9	BALL		2		100		
270	897179-4	SERIAL NO. LABEL		1	*	100		
270-1	850F72-9	SERIAL NO. LABEL	O	1				

Model No. EK7650H POWER CUTTER

Item	Parts No.	Description	I/C	QTY	N/O	Opt. 1	Opt. 2	NOTE
275	WJ00096589	SCREW ASSEMBLY		4		100		
276	141943-8	METERING COVER ASSEMBLY		1				
277	168620-7	METERING DIAPHRAGM		1		100		
278	442183-4	METERING DIAPHRAGM GASKET		1		154		
279	WJ00096475	SCREW		1		100		
280	WJ00183498	THROTTLE LEVER		1				
281	WJ00983707	SPRING		1				
282	WJ00014886	BUSHING 148-86		1				
283	WJ00148545	BUSHING		1				
284	WJ00015631	THROTTLE SHAFT SEAL		1				
285	WJ00088119	PLUG CAP		1				
286	WJ00343480	CHOKE VALVE		1				
287	WJ00096475	SCREW		1		100		
288	5806122220	BALL		1				
289	5806122210	SPRING		1				
290	352010-6	INLET SCREEN		1	*	154		
290-1	WJ00014070	INLET SCREEN	O	1		154		
291	WJ00009589	PUMP DIAPHRAGM		1		154		
292	442192-3	PUMP GASKET		1	*			
292-1	WJ00092225	GASKET-PUMP	O	1		154		
293	234183-6	CONICAL COMPRESSION SPRING 5-9		1		154		
296	5106045250	SPRING		1	*			
296-1	WJ00098217	SPRING	O	1				
297	WJ00096368	IDLE ADJUST SCREW		1				
298	5016004110	SCREW		1				
299	WJ00014477	METERING LEVER PIN		1		154		
300	WJ00016648	LEVER		1		154		
301	WJ00008282	INLET NEEDLE VALVE		1		154		
302	234277-7	COMPRESSION SPRING 3		1				
303	5416036160	PLUG-WELCH		1				
304	WJ00088229	CUP PLUG		1				
305	WJ00008995	BALL		1				
306	WJ00160580	PISTON ASSEMBLY ACCELERATOR		1				
307	WJ00983164	SPRING		1		100		
308	WJ00096475	SCREW		1		100		
309	5806122260	THROTTLE VALVE		1				
310	WJ01023347	NEEDLE		1				
311	WJ00025162	LIMITER CAP		1				
312	WJ01023343	NEEDLE		1				
313	WJ00025162	LIMITER CAP		1				
320	WJ00015631	THROTTLE SHAFT SEAL		1				
321	WJ00136194	WASHER		1				
322	WJ00014896	SPACER-THROTTLE LEVER		1				
323	WJ00224273	SHAFT ASSEMBLY-THROTTLE		1				
324	WJ00148542	SLEEVE-CHOKE		1				
325	WJ00136231	WASHER		1				
326	WJ00224210	SHAFT ASSEMBLY-CHOKE		1				
A01	195488-8	TOOL KIT		1				

