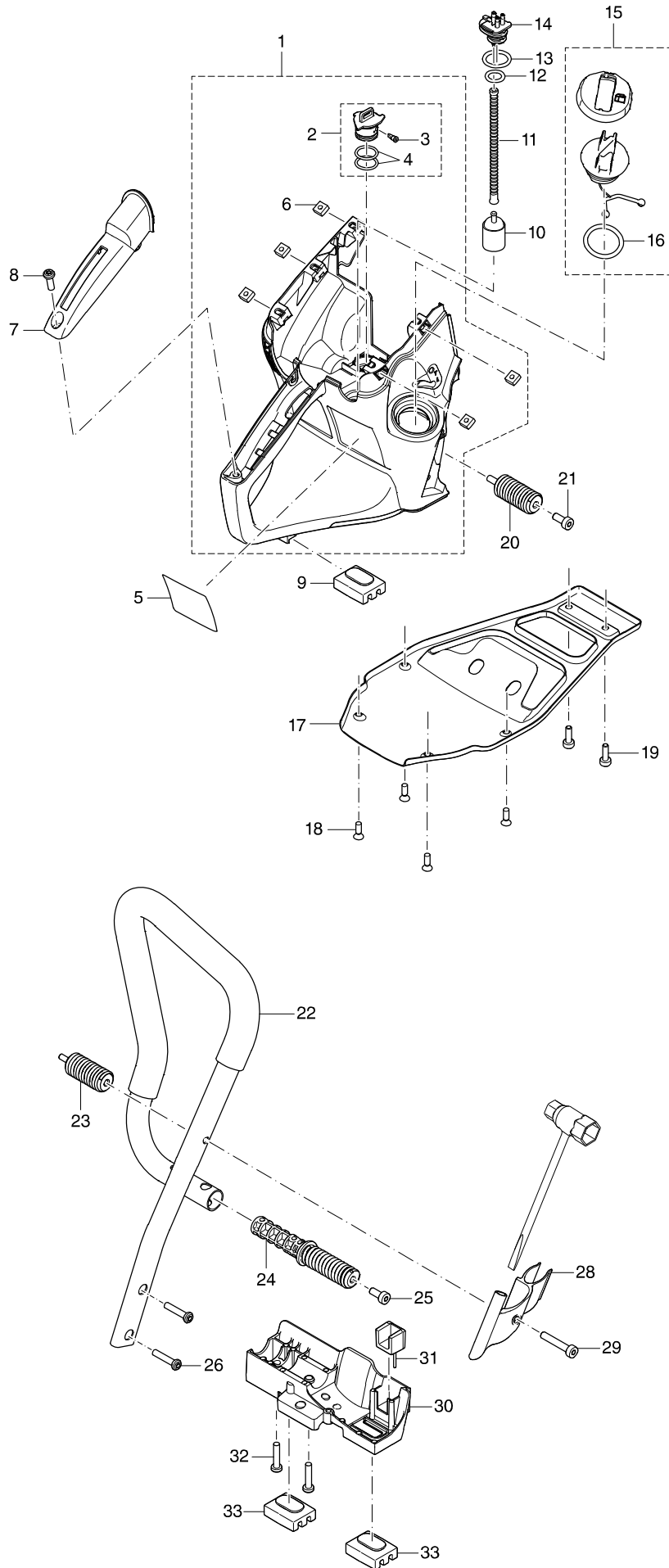
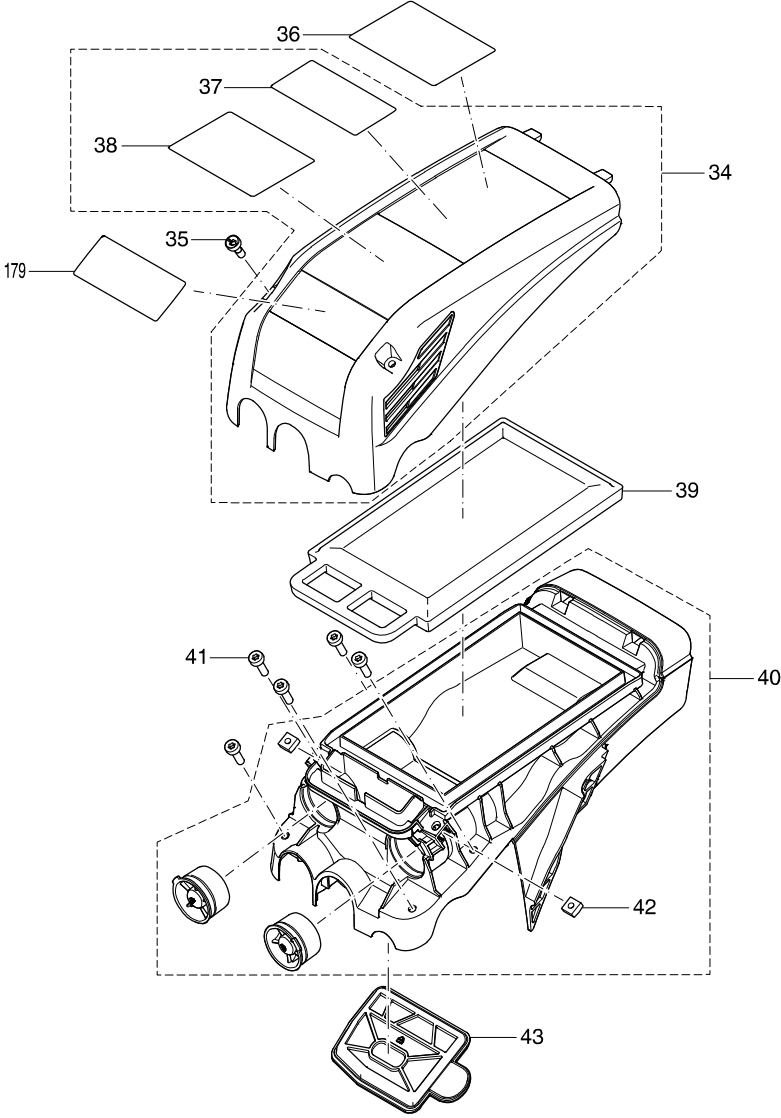


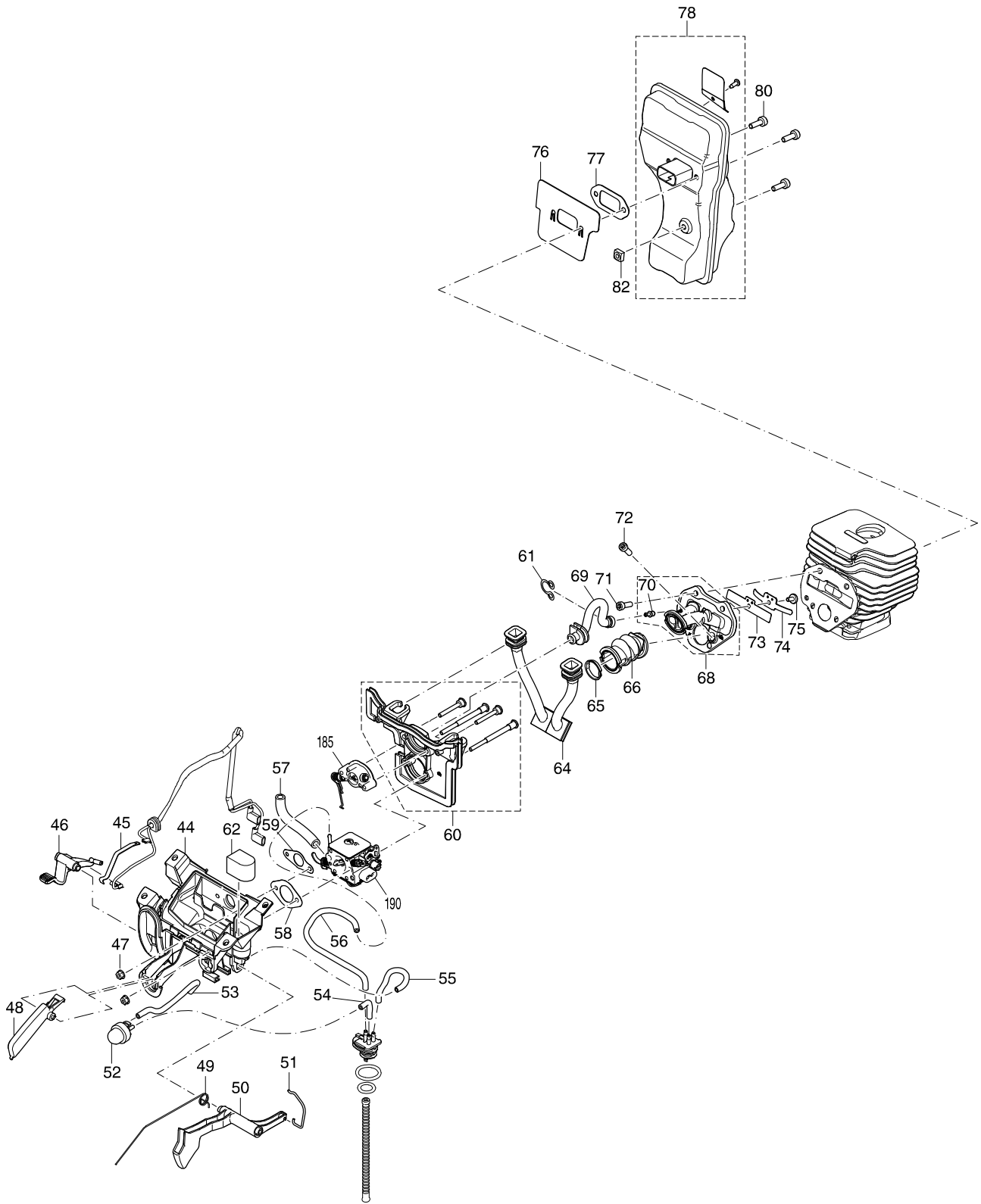
Model No. EK6100 POWER CUTTER



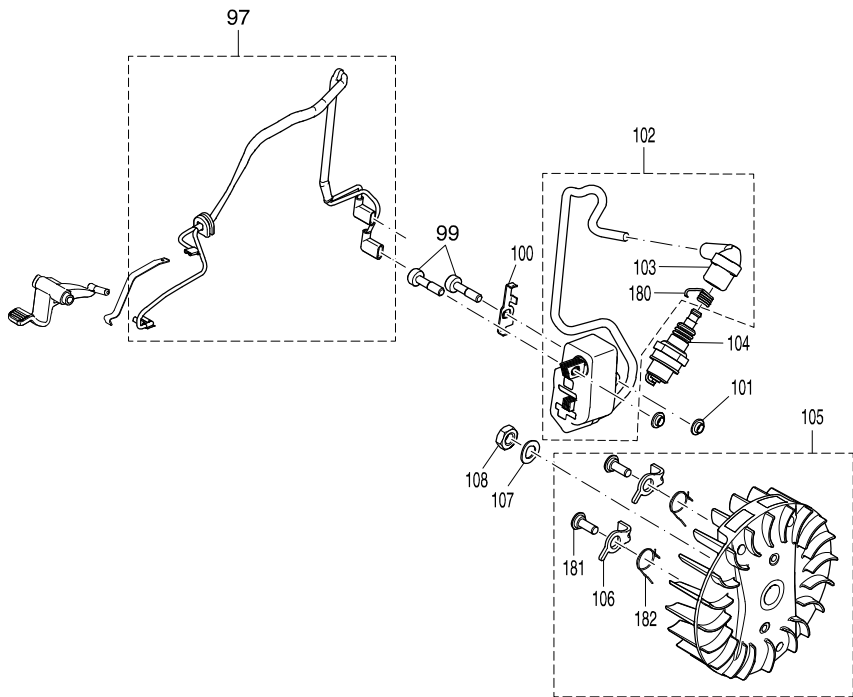
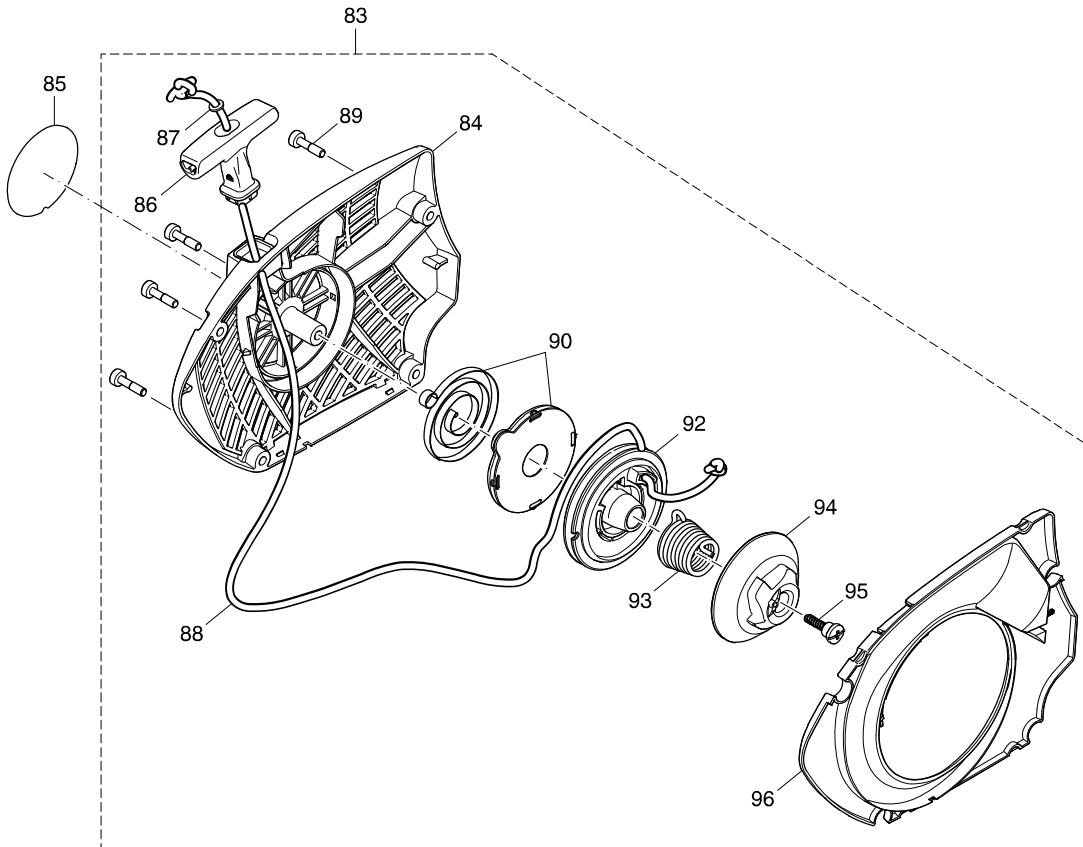
Model No. EK6100 POWER CUTTER



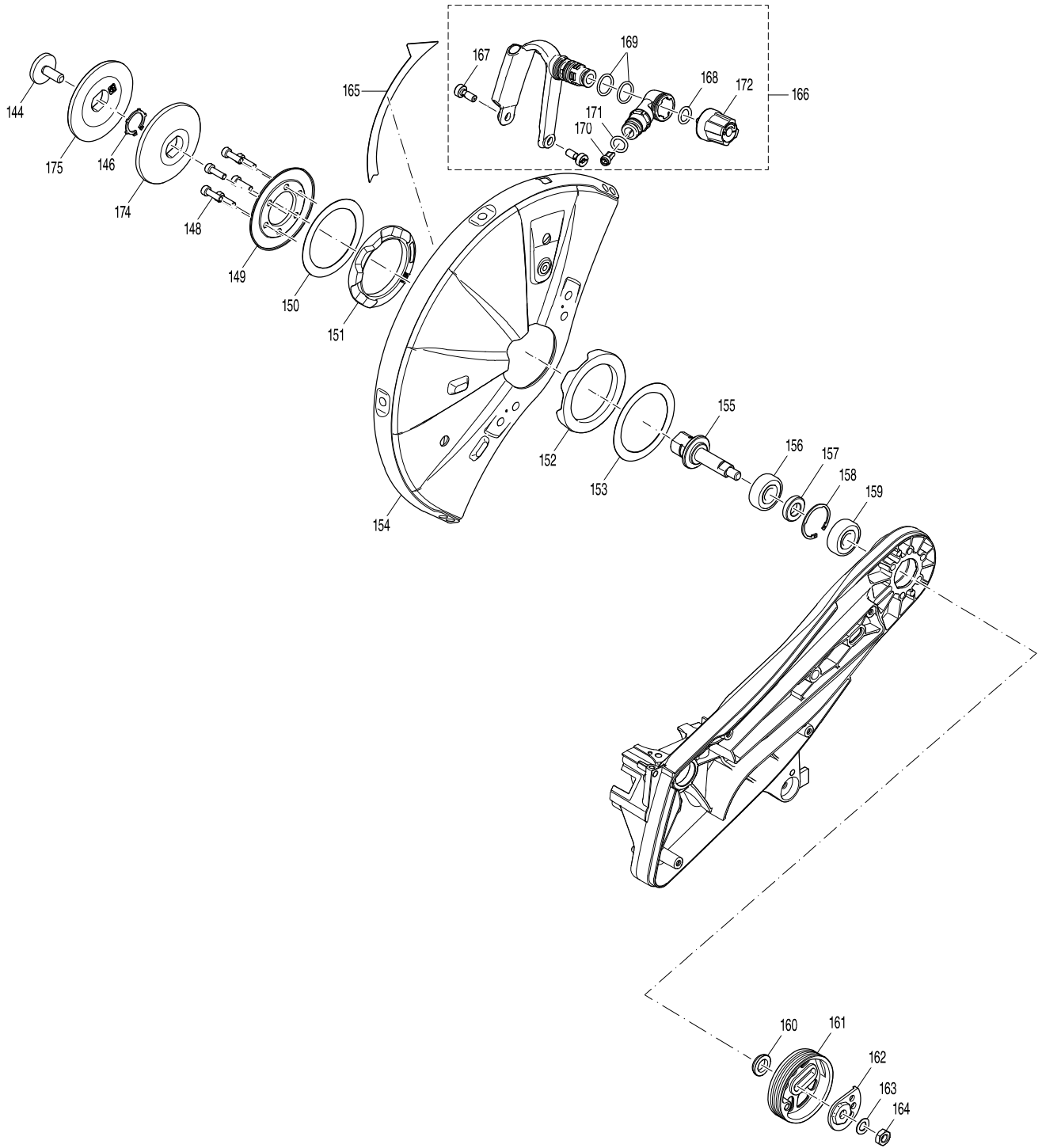
Model No. EK6100 POWER CUTTER



Model No. EK6100 POWER CUTTER



Model No. EK6100 POWER CUTTER



Model No. EK6100 POWER CUTTER

Item	Parts No.	Description	I/C	QTY	N/O	Opt. 1	Opt. 2	NOTE
001	123476-5	FUEL TANK CPL. BLUE		1				
D10		INC. 2						
002	143445-0	VALVE COVER CPL.		1				
D10		INC. 3,4						
003	424170-5	VALVE		1				
004	213829-7	O-RING 17		2				
005	851M16-4	EK6100 NAME PLATE		1				
006	264108-6	SQUARE NUT M5		5				
007	456295-7	GRIP OUTER SHELL		1				
008	266478-9	TAPPING SCREW TORX 5.5X16		1				
009	424781-6	RUBBER FOOT		1				
010	163499-1	SUCTION HEAD		1				
011	424782-4	FUEL LINE		1				
012	213826-3	O-RING 13		1				
013	213827-1	O-RING 20		1				
014	456299-9	NIPPLE		1				
015	141378-3	TANK CAP COMPLETE		1				
D10		INC. 16						
016	213080-9	O RING 29.5		1	100			
017	346958-2	BOTTOM SHEET		1				
018	266991-7	H.L.TAPPING SCREW 5X15		4				
019	266605-8	H.L. SOCKET HEAD BOLT M5X16		2	100			
020	143461-2	DAMPING SPRING COMPLETE		2				
021	266950-1	H.L.SOCKET HEAD BOLT M6X14		2				
022	143442-6	TUBULAR HANDLE CPL.		1				
023	143460-4	DAMPING SPRING CPL.		1				
024	143462-0	DAMPING SPRING COMPLETE		1				
025	266950-1	H.L.SOCKET HEAD BOLT M6X14		1				
026	266475-5	TAPPING SCREW TORX 5.5X20		2	100			
028	456297-3	CLAMP HANDLE		1				
029	266990-9	H.L. SOCKET HEAD BOLT M6X35		1				
030	319369-4	STAND SUPPORT		1				
031	424788-2	DAMPER		1				
032	266475-5	TAPPING SCREW TORX 5.5X20		2	100			
033	424781-6	RUBBER FOOT		2				
034	143451-5	FILTER COVER CPL.		1				
D10		INC. 37,38						
035	266947-0	H.L. SOCKET HEAD BOLT M5X14		2				
036	807L79-2	CAUTION LABEL		1				
037	807F55-0	WARNING SYMBLOS		1				
038	807F56-8	START PROCEDURELABEL		1				
039	424789-0	AIR FILTER		1				
040	143490-5	HOOD CPL. BLUE		1				
D10		INC. 42						
041	266605-8	H.L. SOCKET HEAD BOLT M5X16		5	100			
042	264108-6	SQUARE NUT M5		2				
043	424790-5	INNER FILTER		1				
044	456291-5	INTAKE MANIFOLD		1				

Model No. EK6100 POWER CUTTER

Item	Parts No.	Description	I/C	QTY	N/O	Opt. 1	Opt. 2	NOTE
045	346957-4	CONTACT SPRING		1				
046	456292-3	CHOKE LEVER		1				
047	264119-1	HEXAGONAL NUT M4		4				
048	456294-9	CATCH LEVER		1				
049	233631-2	SPRING		1				
050	456293-1	THROTTLE LEVER		1				
051	326621-3	THROTTLE LINKAGE		1				
052	168398-2	PRIMER PUMP		1	154			
053	424785-8	VITON TUBE L=122mm		1				
054	424783-2	VITON TUBE L=40mm		1				
055	424784-0	VITON TUBE L=84mm		1				
056	424786-6	VITON TUBE L=200mm		1				
057	424787-4	TUBE. VITON 10X6 L=82MM		1				
058	346956-6	GASKET INTAKE MANIFOLD		1				
059	346955-8	GASKET AIR VALVE		1				
060	143440-0	INTERMEDIATE WALL CPL.		1				
061	282028-2	TUBE CLIP	S	1	*			
062	424780-8	FOAM INSERT		1				
064	424777-7	SUCTION PIPE		2				
065	346867-5	GUIDE RING		1				
066	424778-5	SUCTION HOSE		1				
068	143439-5	AIR HOSE CPL.		1				
D10		INC. 70						
069	424795-5	IMPULSE LINE		1				
070	324999-8	NIPPLE		1	*			
070-1	326770-6	NIPPLE	S	1				
071	266986-0	H.L. SOCKET HEAD BOLT M5X14		2				
072	266986-0	H.L. SOCKET HEAD BOLT M5X14		2				
073	346951-6	REEDVALVE		1				
074	310674-2	VALVE STOPPER		1				
075	266985-2	H.L. SOCKET HEAD BOLT M4X8		1				
076	346959-0	COOLING PLATE		1				
077	346876-4	MUFFLER GASKET		1				
078	161392-3	MUFFLER CPL.		1				
080	266605-8	H.L. SOCKET HEAD BOLT M5X16		3	100			
082	264108-6	SQUARE NUT M5		1				
083	143454-9	STARTING DEVICE BLUE CPL.		1				
D10		INC. 84,86-96						
084	143455-7	STARTER HOUSING BLUE CPL.		1				
085	806K78-5	MAKITA LOGO LABEL		1				
086	452458-3	STARTER GRIP		1				
087	267862-1	SPRING WASHER 5		1				
088	424797-1	STARTER ROPE D=4.0 L=1000		1				
089	266938-1	H.L. SOCKET HEAD BOLT M5X20		4				
090	140587-1	REWIND SPRING COMPLETE		1				
092	456308-4	CABLE DRUM		1				
093	234193-3	SPRING EASY START		1				
094	456309-2	DRIVER EASY START		1				

Model No. EK6100 POWER CUTTER

Item	Parts No.	Description	I/C	QTY	N/O	Opt. 1	Opt. 2	NOTE
095	266616-3	SCREW		1				
096	456307-6	AIR GUIDE PLATE		1				
097	161390-7	SHORT-CIRCUIT CABLE		1				
099	266472-1	TORX SOCKET HEAD BOLT M5X20		2	*			
099-1	266472-1	TORX SOCKET HEAD BOLT M5X20	O	2				
100	346954-0	EARTH SHEET		1				
101	451462-9	ISOLATING WASHER		2				
102	123479-9	IGNITION COIL CPL.		1				
D10		INC. 103,180						
103	424706-0	PLUG CAP		1				
104	168517-0	SPARK PLUG		1				
105	143450-7	FLYWHEEL COMPLEE		1				
D10		INC. 106,181,182						
106	346953-2	RATCHET		2				
107	267822-3	SPRING WASHER 8		1		100		
108	264022-6	HEXAGONAL NUT		1				
109	456289-2	COOLING HOOD		1				
110	266942-0	H.L. SOCKET HEAD BOLT M5X20		1				
111	143437-9	CRANKCASE MS CPL.		1				
D10		INC. 115						
112	266984-4	H.L. SOCKET HEAD BOLT M5X25		4				
113	266984-4	H.L. SOCKET HEAD BOLT M5X25		4				
114	213814-0	RADIAL RING		2				
115	211154-0	BALL BEARING 6202		1				
116	143435-3	CRANK SHAFT COMPLETE		1				
117	212164-0	NEEDLE CAGE		1				
118	346950-8	CYLINDERBASE GASKET		1				
119	319375-9	CYLINDER 47		1				
120	143436-1	PISTON COMPLETE		1				
D10		INC. 121,122,123						
121	257384-9	PISTON RING D47		1				
122	234390-1	CIRCLIP 11		2				
123	257846-7	PISTON 47		1				
124	346966-3	CRANK CASE GASKET		1				
125	258038-1	CLAMPING PIN		4				
126	211154-0	BALL BEARING 6202		1				
127	266474-7	TORX SOCKET HEAD BOLT M5X9		1				
132	143448-4	CRANKCASE CS CPL.		1				
D10		INC. 125,126						
135	211168-9	BALL BEARING 6901		2				
137	161387-6	CLUTCH DRUM CPL.		1				
D10		INC. 135						
138	257385-7	SPACER		1				
139	267389-1	FLAT WASHER 12		1				
140	168510-4	CLUTCH COMPLETE		1				
141	424798-9	POLY-V-BELT 6PJ 716 ELAST		1				
142	143497-1	BELT COVER MAKITA CPL.		1				
D10		INC. 143						

Model No. EK6100 POWER CUTTER

Item	Parts No.	Description	I/C	QTY	N/O	Opt. 1	Opt. 2	NOTE
143	266942-0	H.L. SOCKET HEAD BOLT M5X20		4				
144	266976-3	HEX. BOLT M8X25		1				
146	234389-6	RETAINING RING 20X1.2		1				
148	266986-0	H.L. SOCKET HEAD BOLT M5X14		6				
149	319373-3	PRESSURE RING		1				
150	424792-1	SLIDING DISK		1				
151	424794-7	RUBBER RING INSIDE		1				
152	424793-9	RUBBER RING OUTSIDE		1				
153	424792-1	SLIDING DISK		1				
154	143458-1	PROTECTION HOOD 300 CPL.		1				
155	326623-9	AXLE 20.0		1				
156	210148-2	BALL BEARING 6201LLU		1				
157	257386-5	SPACER		1				
158	234388-8	RETAINING RING 32X1.2		1				
159	210148-2	BALL BEARING 6201LLU		1				
160	216217-7	WASHER		1				
161	222187-0	PULLEY PJ6		1				
162	310675-0	ECCENTRIC DISK		1				
163	267822-3	SPRING WASHER 8		1	100			
164	264022-6	HEXAGONAL NUT		1				
165	807G51-4	CAUTION LABEL		1				
166	143452-3	WATER SET CPL.		1				
D10		INC. 167-172						
167	266994-1	JET SCREW		2				
168	213828-9	O-RING 11		1				
169	213584-1	O-RING 16		2				
170	424791-3	WATER FILTER		1				
171	213828-9	O-RING 11		1				
172	266993-3	REGULATING SCREW		1				
174	319370-9	PRESSURE DISC		1				
175	319370-9	PRESSURE DISC		1				
178	424796-3	STOPPER		1				
180	234358-7	TERMINAL SPRING		1				
181	266626-0	H.L. TAPPING SCREW 5X12		2				
182	233629-9	TORSION SPRING		2				
185	143441-8	AIR HEAD COMPLETE		1				
190	161395-7	CARBURETOR DM21A		1				
A01	197577-5	TOOL KIT		1				
C10	782025-3	TORX WRENCH		1				
C20	782029-5	UNIVERSAL WRENCH 13/19		1				
C30	783012-5	SCREWDRIVER		1				
C40	831340-3	TOOL BAG		1				
A02	123121-2	COUPLING SLEEVE		1	100			
E01	809P13-2	CLEAR LABEL		1				