



PARTS CATALOG

Published

2010/6 (Jun.)

0CW10-G62600

P R E F A C E

1. This parts catalog is the 1st edition of L70N6CF1F1AACO for COMET.

Pub.No. : 0CW10-G62600

Published : June, 2010

2. Model name

Engine model	Vehicle	Vehicle made by
L70N6CF1F1AACO	WASHER	COMET

Directions for the Parts Catalog.

1. The parts stipulated in this Parts Catalog are not necessarily standard equipped parts.
2. Parts may change without prior notice.
3. The following is an example of the Parts Catalog format.

REF.	LEV.	PARTS NO.	DESCRIPTION	Q'TY						I	R
				(A)	(B)	(C)	(D)	(E)	(F)		
1	1	729595-51390	FUEL INJECTION PUMP	1	1	1	1	1			1
1-1	1	729595-51391	FUEL INJECTION PUMP	1	1	1	1	1		N	1
		(A=E00185) (B=E00200)									
3	2	26022-060162	SCREW M 6X 16	9	9	9	9	9			
3-1	2	26022-060162	SCREW M 6X 16	4	4	4	4	4		K	
		(A=E00156) (B=E00156) (C=E00156) (D=E00156) (E=E00156)									
4	2	129470-51040	CAMSHAFT	1	1	1	1	1			
5	2	122710-51050	BEARING, ROLLER	2	2	2	2	2			
6	2	129470-51060	RETAINER	1	1	1	1	1			

Remarks
(1) BOOST COMPEMSATOR TYPE. OPTIONAL PART, TO E00155,(4JH-DT, 4JH-DTZ

① Ref. No.

The Ref. No. listed may not be in accordance with the illustration Ref. No.

(Ex.) Illustration No.

List Ref No.

1

1

(Before change)

1-1

(After change)

For interchangeable symbols N, R and K, illustrations for new parts may be abbreviated.

② Lev. (Level)

Level indication

The numbers below indicate the level of relativity towards the main part.

1 ----- Main parts (Assembly parts)

2 ----- Sub component included in " 1 ".

3 ----- Sub component included in " 2 ".

Note) Parts that are not for sale are partially illustrated but not listed.

③ Interchangeability Mark

When a part change takes place, one of the following interchangeability symbols is indicated beside the part.

Symbol	Interchangeability	Contents note
N	Old $\begin{matrix} \leftarrow \text{Yes} \\ \text{No} \rightarrow \end{matrix}$ New	New Part is interchangeable for Old Part but Old Part is not interchangeable for New Part.
Q	Old $\begin{matrix} \leftarrow \text{No} \\ \text{Yes} \rightarrow \end{matrix}$ New	New Part is not interchangeable for Old Part but Old Part is interchangeable for New Part.
R	Old $\begin{matrix} \leftarrow \text{Yes} \\ \text{Yes} \rightarrow \end{matrix}$ New	New/ Old Parts are both interchangeable.
S	Old $\begin{matrix} \leftarrow \text{No} \\ \text{No} \rightarrow \end{matrix}$ New	New/ Old Parts are both not interchangeable.
W		Part newly added.
Z		Part discontinued.
F		Not interchangeable by a single part but interchangeable together with related parts.
K		Changes only for used parts quantities.

④ Effective Machine No.

When a part changes, the effective Machine No. will be indicated in the (A)-(F) column.

Product Symbol	Product No.	Product Symbol	Product No.
C	Clutch No. Compressor No.	F	Machine No. (Agricultural Equip.)
D	Drive No.	M	Machine No.
E	Engine No.	Note 1)	Date

Note 1) A date may follow the symbol. (Ex.) 1996.01

Note 2) " XXX " are for parts that could not be predicted or for engine models that could not be identified.

Note 3) (A=E00185) is the E (Engine Serial Number) for the column (A) model (in this case 4JH-DT) after the parts design change.

⑤ Remarks Mark

Figures or alphabets (symbols) are entered in the remarks column.

The comments (remarks) on parts that are indicated at the bottom of the illustration are the same symbols as those stated above.

CONTENTS

MODEL : L70N6CF1F1AACO

PC NO : 0CW10-G62600

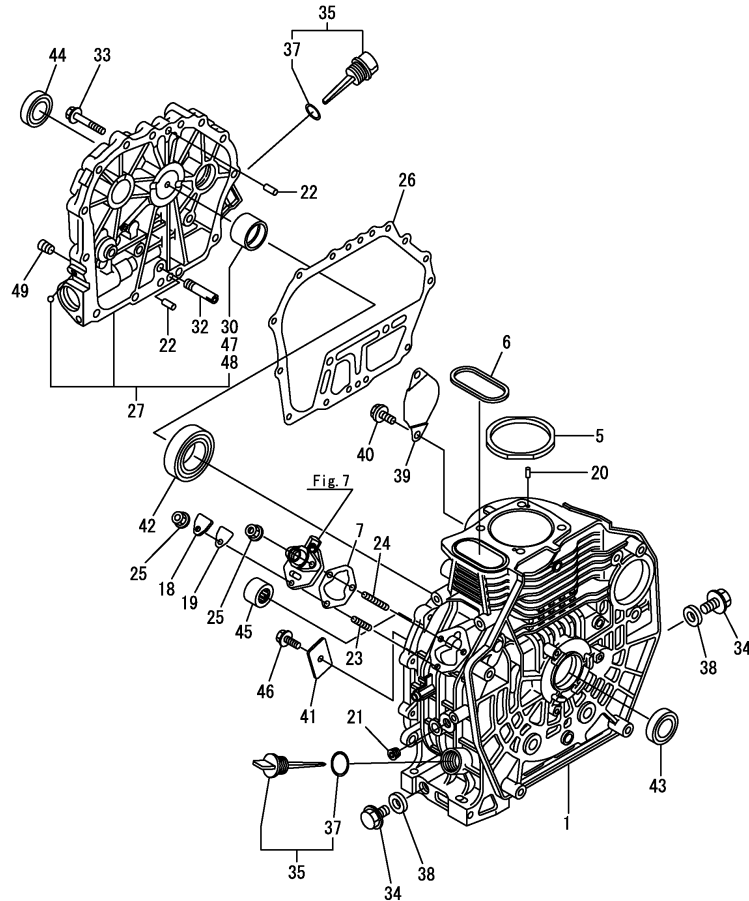
Fig.No. GROUP NAME

L70N6CF1F1AACO

1. CYLINDER BLOCK
2. CYLINDER HEAD & BONNET
3. AIR CLEANER & MUFFLER
4. CRANKSHAFT, PISTON & CAMSHAFT
5. LUB.OIL PUMP & GOVERNOR
6. COOLING & STARTING DEVICE
7. F.I.PUMP & F.I.VALVE
8. FUEL TANK & FUEL PIPE
9. TOOL, LABEL & GASKET SET

Fig.No. GROUP NAME

Fig.1. CYLINDER BLOCK



(A)=L70N6CF1F1AA00

(B)=

(C)=

(D)=

(E)=

(F)=

REF.	LEV.	PARTS NO.	DESCRIPTION	QTY						I	R
				(A)	(B)	(C)	(D)	(E)	(F)		
1	1	114210-01020	BLOCK ASSY, CYLINDER	1							
5	1	114395-01341	GASKET, HEAD 0.5	1							
6	1	114399-01380	O-RING	1							
7	1	114299-01800	SHIM SET	1							
18	1	114299-01830	COVER,(FO PUMP	1							
19	1	114250-01841	GASKET, COVER	1							
20	1	22312-040080	PARALLEL PIN, M4X8	2							
21	1	23875-020000	PLUG PT1/4,STEEL	1							
22	1	114299-01600	PIN, 8X12	2							
23	1	26226-060182	STUD M 6X 18 PLATED	1							
24	1	26226-060222	STUD M 6X 22 PLATED	2							
25	1	26366-060002	NUT M 6	3							
26	1	114399-01410	GASKET, CRANK CASE	1							
27	1	114210-01450	COVER(E-D,CRANK CASE	1							
30	2	114350-02100	BEARING, MAIN	1							1
32	1	114299-35150	PIPE, L.O. INLET	1							
33	1	26106-080352	BOLT M 8X 35 PLATED	15							
34	1	114299-01690	PLUG M16	2							
35	1	114699-01760	CAP ASSY, LO SUPPLY	2							
37	2	114299-01950	O-RING	2							
38	1	22190-160002	WASHER, 16	2							
39	1	114399-01700	COVER, STARTER	1							
40	1	26106-100122	BOLT M10X 12 PLATED	2							
41	1	114299-02030	RETAINER, BEARING	1							
42	1	114350-02113	BALL BEARING	1							
43	1	160110-02220	SEAL, OIL	1							
44	1	160110-02220	SEAL, OIL	1							
45	1	24162-152116	NEEDLE BEARING	1							
46	1	26106-080122	BOLT M 8X 12 PLATED	1							
47	1	114350-02200	MAIN BEARING US=0.25	1							2
48	1	114350-02210	MAIN BEARING US=0.50	1							3
49	1	23876-010000	PLUG PT1/8,SCREW	1							

Remarks

(1) Repair parts.

(2) Under sized(U.S.=0.25)parts.

(3) Under sized(U.S.=0.50)parts.

Fig.2. CYLINDER HEAD & BONNET

(A)=L70N6CF1F1AAAC0

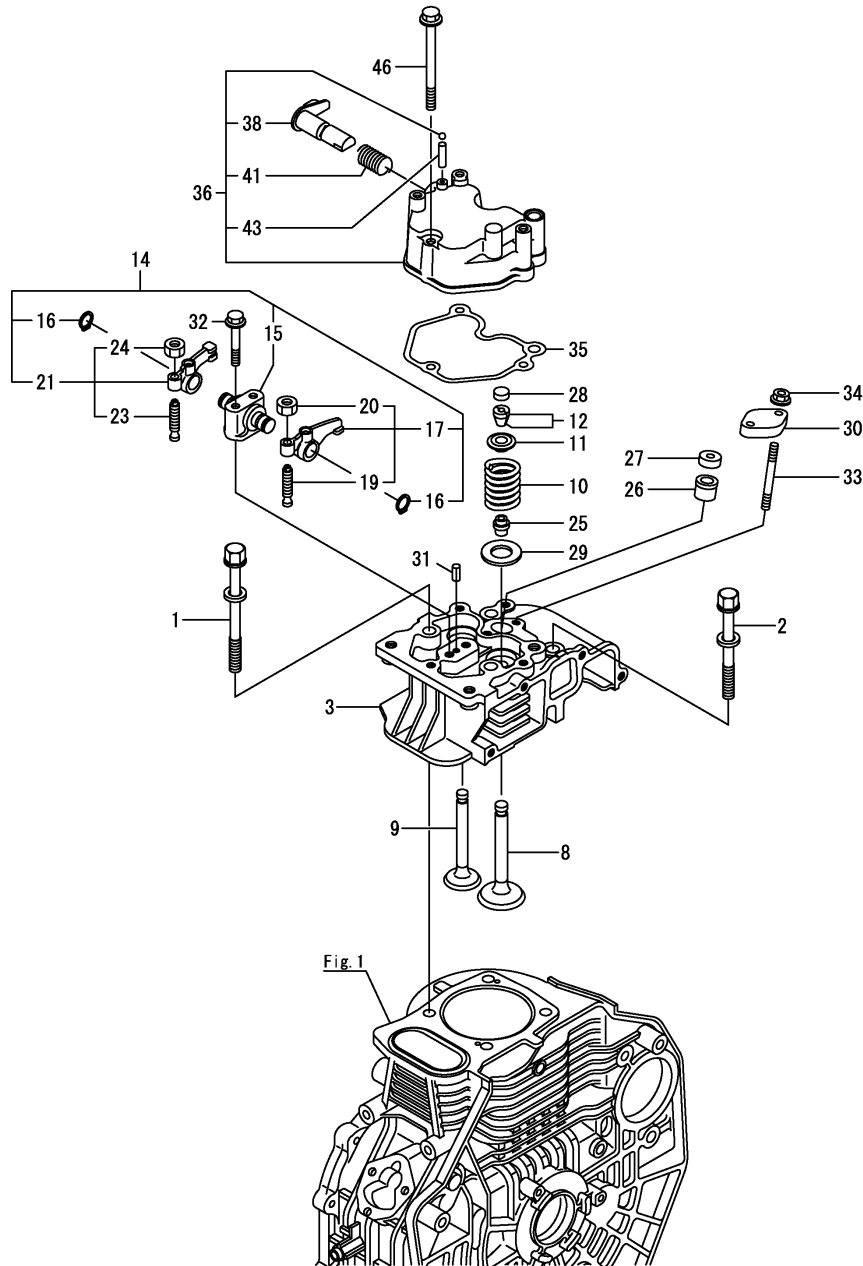
(B)=

(C)=

(D)=

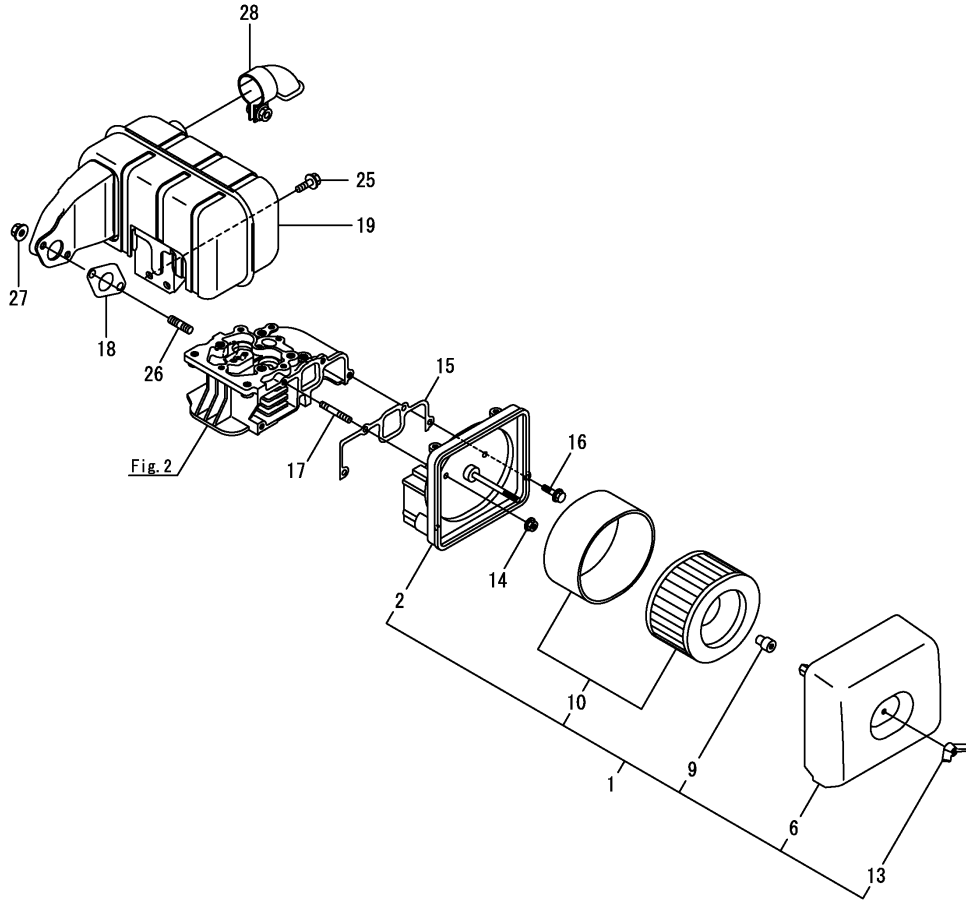
(E)=

(F)=



REF.	LEV.	PARTS NO.	DESCRIPTION	QTY						I	R
				(A)	(B)	(C)	(D)	(E)	(F)		
1	1	114210-01200	BOLT, CYL.HEAD A	2							
2	1	114210-01210	BOLT, CYL.HEAD B	2							
3	1	114220-11020	HEAD ASSY, CYLINDER	1							
8	1	11421C-11100	VALVE, INTAKE	1							
9	1	11421C-11110	VALVE, EXHAUST	1							
10	1	114210-11120	SPRING, VALVE	2							
11	1	114210-11180	RETAINER, SPRING	2							
12	1	114210-11930	COTTER ASSY	2							
14	1	11421C-11250	SUPPORT ASSY, ROCKER	1							
15	2	11421C-11260	SUPPORT, ROCKER ARM	1							
16	2	22242-000120	CIRCLIP 12	2							
17	2	11421C-11650	ARM ASSY, INTAKE	1							
19	3	114250-11240	SCREW, VALVE ADJUST.	1							
20	3	26856-060002	NUT, M6	1							
21	2	11421C-11660	ARM ASSY, EXHAUST	1							
23	3	114250-11240	SCREW, VALVE ADJUST.	1							
24	3	26856-060002	NUT, M6	1							
25	1	114350-11340	SEAL, VALVE STEM	2							
26	1	114240-11450	PROTECTOR, NOZZLE	1							
27	1	114240-11550	SEAT, NOZZLE	1							
28	1	105010-11490	CAP, VALVE	2							
29	1	114299-11600	WASHER, VALVE SPRING	2							
30	1	114210-11901	RETAINER, NOZZLE	1							
31	1	22351-040008	SPRING PIN 4X 8	1							
32	1	26106-060402	BOLT M 6X 40 PLATED	2							
33	1	26226-060552	STUD M6X 55 PLATED	2							
34	1	26366-060002	NUT M 6	2							
35	1	114210-11310	GASKET, BONNET	1							
36	1	114210-11950	BONNET ASSY, HEAD	1							
38	2	114210-03590	DECOMPRESSION ASSY	1							
41	2	114299-03640	SPRING, DECOMP.	1							
43	2	22312-030160	PARALLEL PIN, M3X16	1							
46	1	26106-060552	BOLT M 6X 55 PLATED	3							

Fig.3. AIR CLEANER & MUFFLER



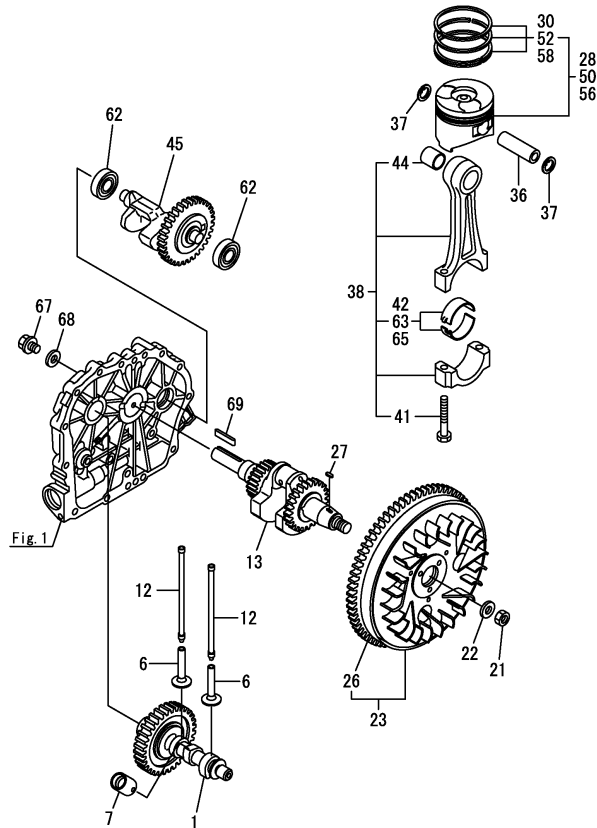
0CW10-G62600 3. AIR CLEANER & MUFFLER

(A)=L70N6CF1F1AACO
(B)=
(C)=

(D)=
(E)=
(F)=

REF.	LEV.	PARTS NO.	DESCRIPTION	Q'TY						I	R
				(A)	(B)	(C)	(D)	(E)	(F)		
1	1	114220-12550	CLEANER ASSY, AIR	1							
2	2	114210-12010	BODY ASSY, AIR CLNR	1							
6	2	114220-12500	COVER ASSY, AIR CLNR	1							
9	2	114210-12560	NUT, WING	1							
10	2	114210-12590	ELEMENT ASSY	1							
13	2	114210-12600	LOCKING KNOB	1							
14	1	114299-12300	U-NUT	3							
15	1	114210-12210	GASKET, AIR CLEANER	1							
16	1	26106-060202	BOLT M 6X 20 PLATED	1							
17	1	26226-060302	STUD M 6X 30	3							
18	1	114299-13200	GASKET, MUFFLER	1							
19	1	11421C-13500	MUFFLER ASSY	1							
25	1	26106-060142	BOLT M 6X 14 PLATED	2							
26	1	26216-080182	STUD M 8X 18 PLATED	2							
27	1	26366-080002	NUT M 8	2							
28	1	114299-13800	DEFLECTOR, (EXH	1							

Fig.4. CRANKSHAFT, PISTON & CAMSHAFT



0CW10-G62600 4. CRANKSHAFT, PISTON & CAMSHAFT

(A)=L70N6CF1F1AACO

(B)=

(C)=

(D)=

(E)=

(F)=

REF.	LEV.	PARTS NO.	DESCRIPTION	QTY						I	R
				(A)	(B)	(C)	(D)	(E)	(F)		
1	1	71422C-14580	CAMSHAFT ASSY	1							
6	1	114210-14200	TAPPET	2							
7	1	114210-14300	TAPPET ASSY, ROLLER	1							
12	1	114210-14400	ROD ASSY, PUSH	2							
13	1	71421C-21030	CRANKSHAFT(E-D ASSY	1							
21	1	114299-21220	NUT	1							
22	1	114299-21550	WASHER, FLYWHEEL	1							
23	1	114399-21590	FLYWHEEL ASSY	1							
26	2	114399-21600	GEAR, RING	1							
27	1	22512-040120	KEY, 4X12	1							
28	1	714220-22720	PISTON W/RINGS (D	1							
30	2	714870-22502	RING SET, PISTON	1							
36	1	114399-22300	PIN, PISTON	1							
37	1	22252-000210	CIRCLIP 21	2							
38	1	71421C-23010	ROD ASSY, CONNECTING	1							
41	2	118200-23200	BOLT,ROD	2							
42	2	114210-23600	BEARING, CRANK PIN	1							
44	2	114380-23100	BUSH, PISTON PIN	1							
45	1	714210-28510	SHAFT ASSY, BALANCER	1							
50	1	714220-22620	PISTON W/RING .25OS	1							1
52	2	714870-22542	RING SET O.S=0.25	1							1
56	1	714220-22580	PISTON W/RING .50OS	1							2
58	2	714870-22552	RING SET O.S=0.50	1							2
62	1	114210-28050	BEARING, 6203 C0L	2							
63	1	114210-23610	BEARING,PIN(U.S.=0.25	1							3
65	1	114210-23620	BEARING,PIN(U.S.=0.50	1							4
67	1	160842-21250	BOLT 7/16-20UNF	1							
68	1	160842-21260	WASHER	1							
69	1	160842-21150	KEY, 6.3X50	1							

Remarks

- (1) Over sized(O.S.=0.25)parts.
- (2) Over sized(O.S.=0.50)parts.
- (3) Under sized(U.S.=0.25)parts.
- (4) Under sized(U.S.=0.50)parts.

Fig.5. LUB.OIL PUMP & GOVERNOR

(A)=L70N6CF1F1AACO

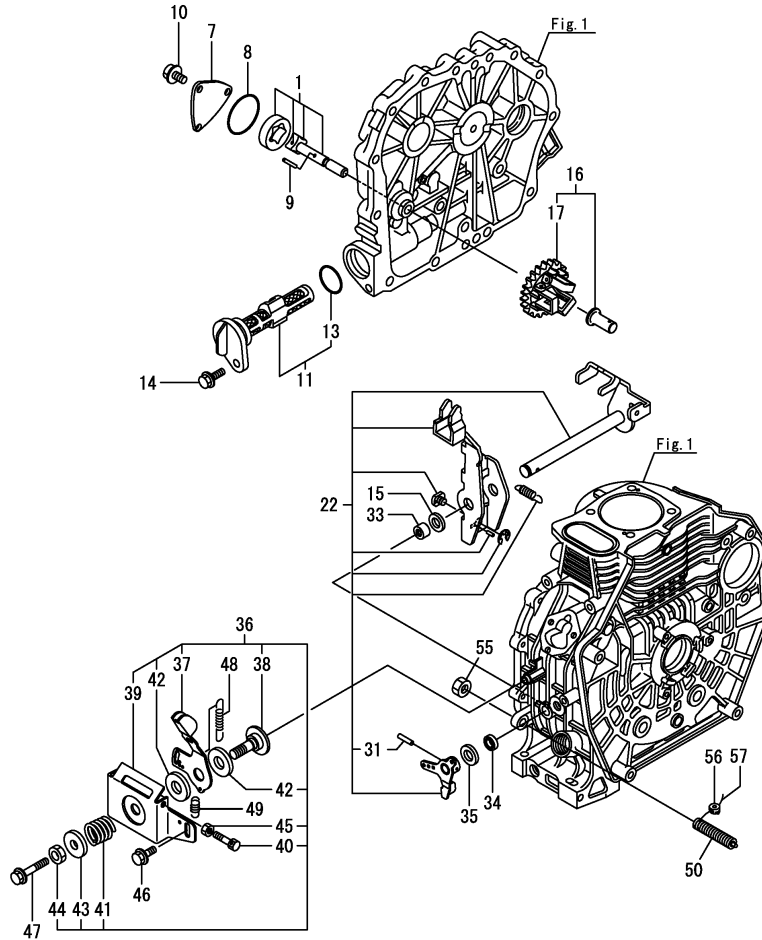
(B)=

(C)=

(D)=

(E)=

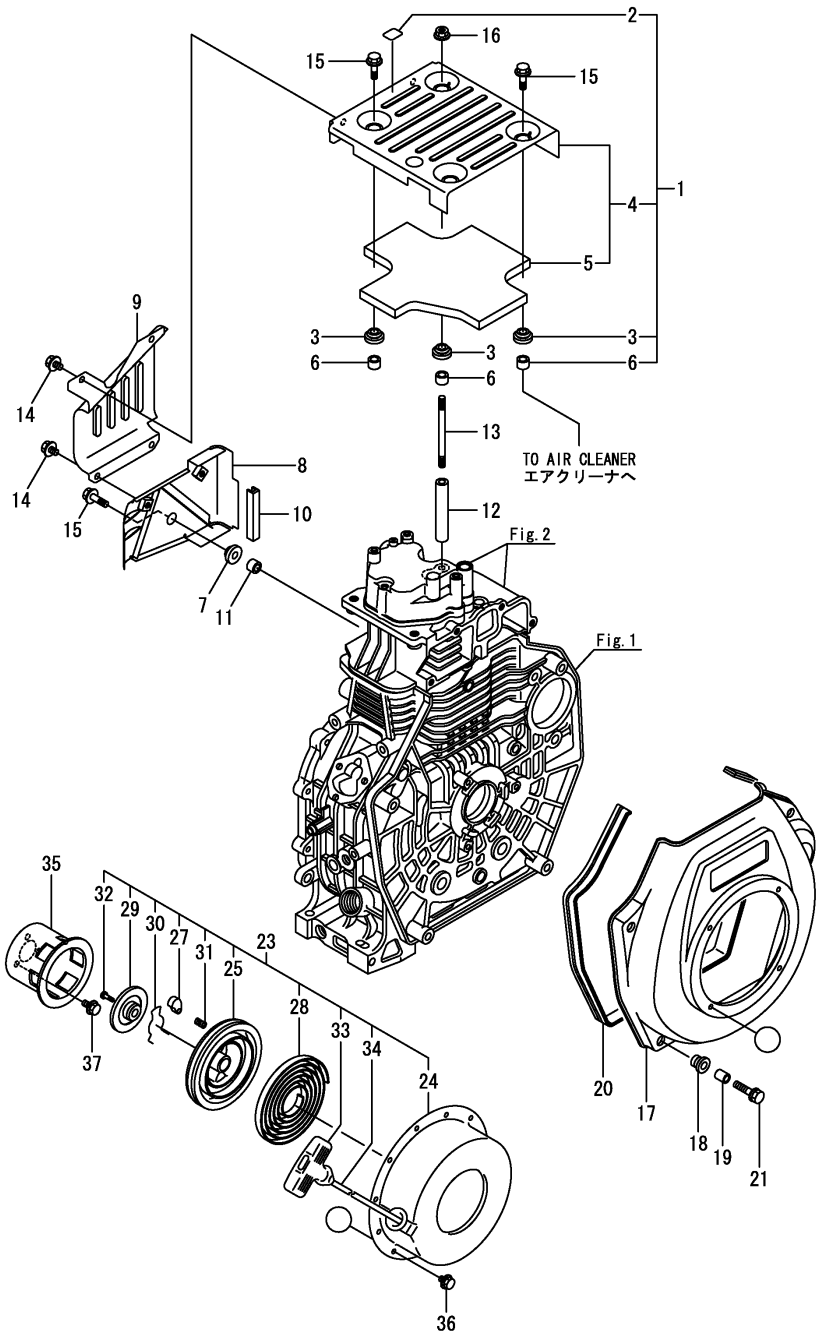
(F)=



REF.	LEV.	PARTS NO.	DESCRIPTION	QTY						I	R
				(A)	(B)	(C)	(D)	(E)	(F)		
1	1	114250-32010	PUMP ASSY, LUB.OIL	1							
7	1	114299-32070	COVER, LUB. OIL PUMP	1							
8	1	114299-32570	O-RING, COVER	1							
9	1	22312-030160	PARALLEL PIN, M3X16	1							
10	1	26106-060122	BOLT M 6X 12 PLATED	3							
11	1	114299-35110	FILTER CMP, LUB.OIL	1							
13	2	24341-000224	O-RING 1A S-22.4	1							
14	1	26106-060162	BOLT M 6X 16 PLATED	1							
15	1	114299-61190	WASHER, GOVERNOR	1							
16	1	714210-61701	GOVERNOR ASSY	1							
17	2	114210-61290	WEIGHT ASSY,GOVERNOR	1							
22	1	114211-61500	LEVER ASSY, GOVERNOR	1							1
31	2	22322-030200	TAPER PIN, 3X20	1							
33	1	114770-61520	BEARING,NEEDLE	2							
34	1	114299-61600	SEAL, OIL	1							
35	1	114770-61610	WASHER, THRUST	1							
36	1	114210-66550	BRACKET ASSY, HANDLE	1							
37	2	114210-66070	HANDLE, REGULATOR	1							
40	3	114250-66440	BOLT, ADJUSTING	1							
41	2	104200-66820	SPRING, HANDLE	1							
42	2	104200-66831	PLATE, FRICTION	2							
43	2	104200-66850	WASHER, B	1							
44	2	26696-100002	LOCK NUT M10	1							
45	2	26757-060002	NUT M 6	1							
46	1	26106-060142	BOLT M 6X 14 PLATED	1							
47	1	26106-060452	BOLT M 6X 45 PLATED	1							
48	1	114220-66010	SPRING, REGULATOR	1							
49	1	114299-66200	SPRING, RETURN	1							
50	1	114220-66600	LIMITER ASSY, FUEL	1							
55	1	26776-100002	LOCK NUT M10 PLATED	1							
56	1	114780-61090	TIN	2							
57	1	22451-060000	WIRE, 0.6	2							

Remarks
 (1) On a guarantee of quality component parts shall not be sold.

Fig.6. COOLING & STARTING DEVICE



(A)=L70N6CF1F1AACO

(B)=

(C)=

(D)=

(E)=

(F)=

REF.	LEV.	PARTS NO.	DESCRIPTION	QTY						I	R
				(A)	(B)	(C)	(D)	(E)	(F)		
1	1	11422C-45200	TOP COVER ASSY	1							
2	2	114220-07120	LABEL, DECOMPRESSION	1							
3	2	183720-55210	GROMMET	4							
4	2	11421C-45300	COVER, TOP	1							
5	3	11421C-45310	DAMPER	1							
6	2	114350-45340	COLLAR	4							
7	1	114299-45220	GROMMET, TANK	1							
8	1	11421C-45260	COVER B, SIDE	1							
9	1	11421C-45270	COVER A, SIDE	1							
10	1	114399-45320	RUBBER, SEAL	1							
11	1	114399-45340	COLLAR, CYL COVER	1							
12	1	114210-45350	SPACER, TOP COVER	1							
13	1	114210-45360	STUD BOLT, TOP COVER	1							
14	1	26106-060082	BOLT M 6X 8 PLATED	4							
15	1	26106-060202	BOLT M 6X 20 PLATED	4							
16	1	26366-060002	NUT M 6	1							
17	1	11421C-45100	CASE(D), COOLING FAN	1							
18	1	114299-45301	RUBBER, CUSHION	4							
19	1	114299-45310	COLLAR, FAN CASE	4							
20	1	114299-45331	SEAL, FAN CASE	1							
21	1	114299-45350	BOLT, FAN CASE	4							
23	1	114399-76251	RECOIL STARTER(D)ASY	1							
24	2	114399-76510	CASE, STARTER	1							
25	2	114399-76521	REEL, RECOIL	1							
27	2	114399-76531	RATCHET	1							
28	2	114399-76540	SPRING, SPIRAL	1							
29	2	114399-76550	COVER, RATCHET	1							
30	2	114399-76560	SPRING	1							
31	2	114399-76570	SPRING, RETURN	1							
32	2	114399-76580	SCREW	1							
33	2	114399-76620	KNOB, STARTER	1							
34	2	114399-76630	ROPE, STARTER	1							
35	1	114399-76590	PULLEY, STARTER	1							
36	1	26106-060082	BOLT M 6X 8 PLATED	4							
37	1	26106-060122	BOLT M 6X 12 PLATED	3							

Fig.7. F.I.PUMP & F.I.VALVE

(A)=L70N6CF1F1AAC0

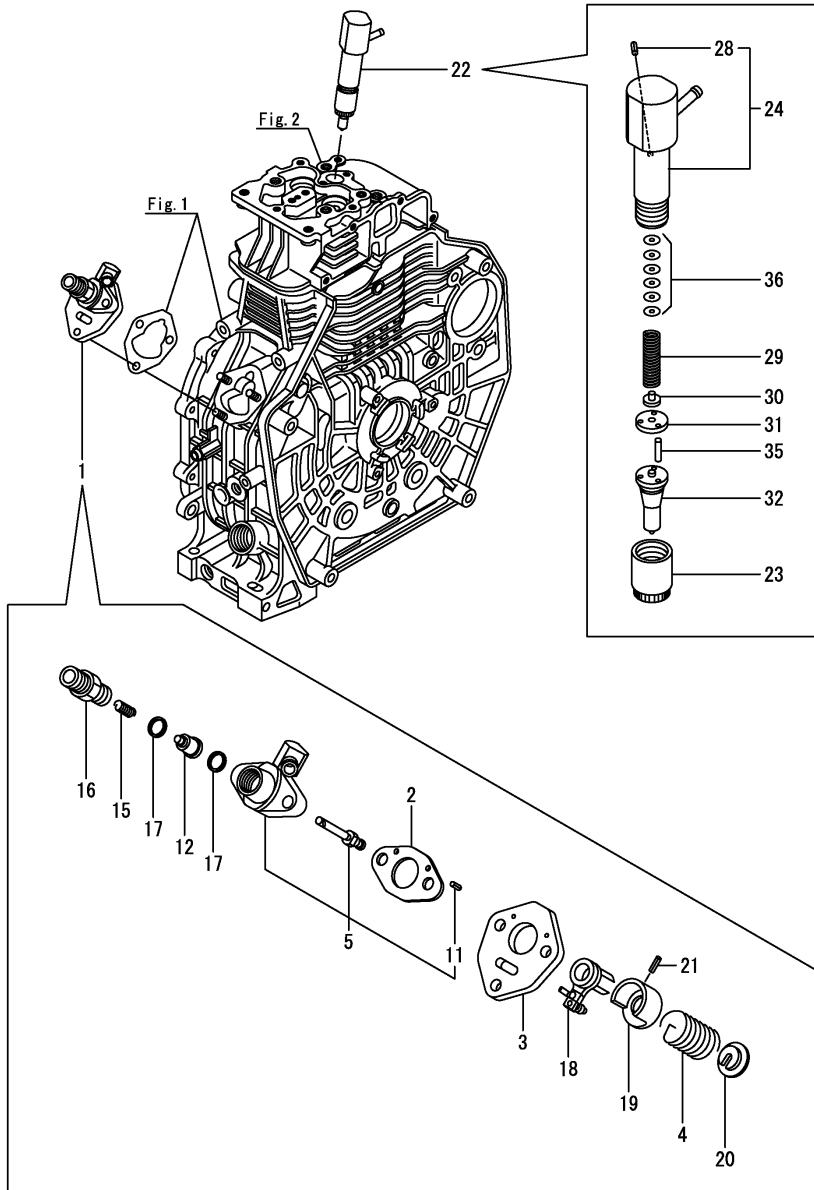
(B)=

(C)=

(D)=

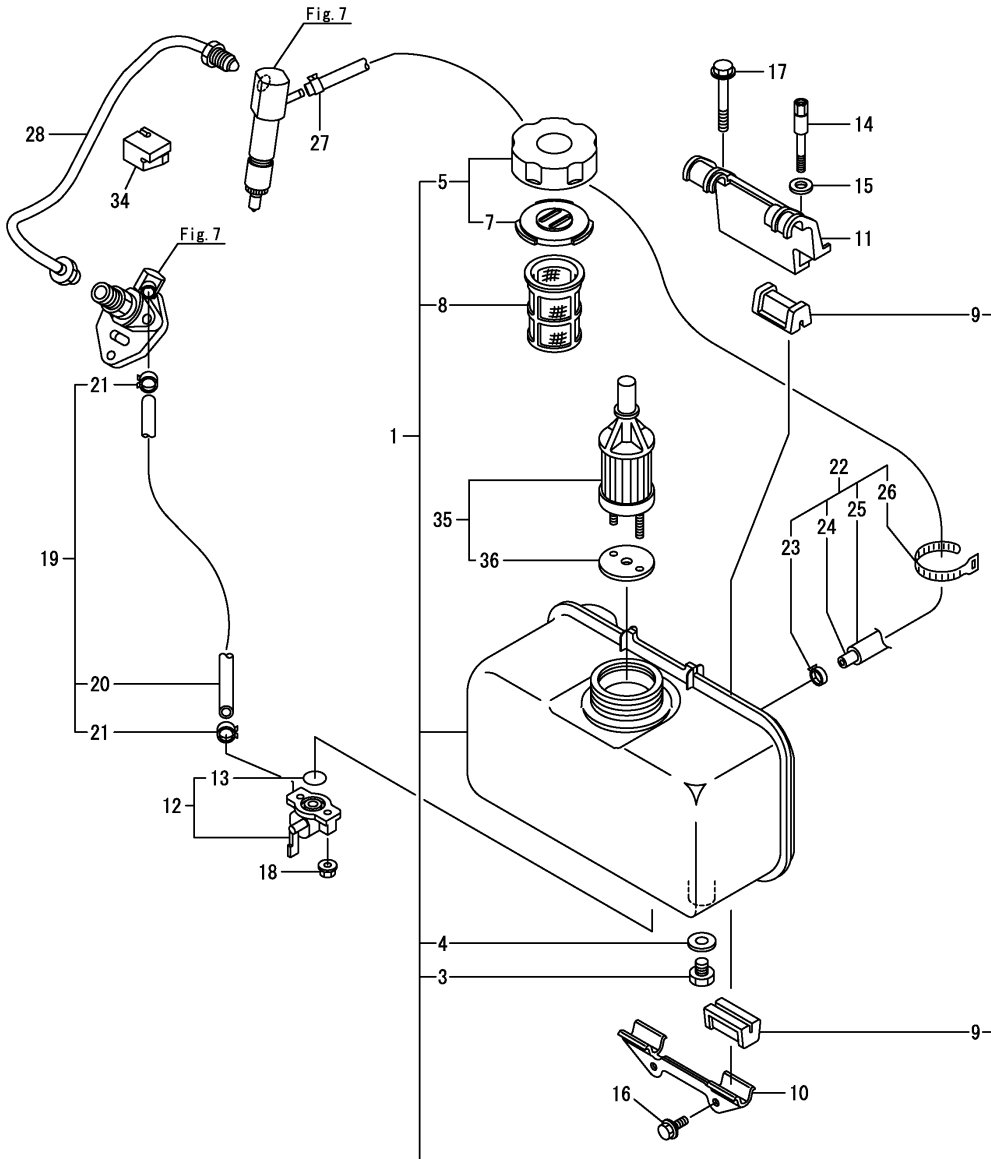
(E)=

(F)=



REF.	LEV.	PARTS NO.	DESCRIPTION	QTY						I	R
				(A)	(B)	(C)	(D)	(E)	(F)		
1	1	714239-51200	F.I.PUMP ASSY	1							
2	2	105546-51020	GASKET	1							
3	2	114250-51080	PLATE	1							
4	2	114250-51160	SPRING, PLUNGER	1							
5	2	114239-51100	BODY ASSY, PUMP	1							
11	4	22351-020006	SPRING PIN 2X 6	2							
12	2	114650-51300	VALVE ASSY, DELIVERY	1							
15	2	105546-51330	SPRING, DELIVERY	1							
16	2	114250-51340	HOLDER, DELIVERY	1							
17	2	124550-51350	GASKET, DELIVERY	2							
18	2	114250-51600	LEVER ASSY, CONTROL	1							
19	2	114250-51640	SEAT, SPRING A	1							
20	2	114250-51650	SEAT, SPRING B	1							
21	2	22351-030008	SPRING PIN 3X 8	1							
22	1	714239-53200	FUEL INJECTOR	1							
23	2	114250-53080	NUT, CASE	1							
24	2	114339-53100	HOLDER ASSY, NOZZLE	1							
28	3	22351-025005	SPRING PIN 2.5AX 6	1							
29	2	114250-53120	SPRING, NOZZLE	1							
30	2	114250-53130	SEAT, SPRING	1							
31	2	114250-53140	PLATE, STOP	1							
32	2	114239-53200	NOZZLE ASSY	1							
35	2	114250-53210	PIN	2							
36	2	114250-53400	SHIM SET	1							

Fig.8. FUEL TANK & FUEL PIPE



OCW10-G62600 8. FUEL TANK & FUEL PIPE

(A)=L70N6CF1F1AACO

(B)=

(C)=

(D)=

(E)=

(F)=

REF.	LEV.	PARTS NO.	DESCRIPTION	QTY						I	R
				(A)	(B)	(C)	(D)	(E)	(F)		
1	1	11421C-55710	TANK ASSY, FUEL OIL	1							
3	3	114299-55080	PLUG, DRAIN	1							
4	3	23414-080000	GASKET 8, ROUND	1							
5	2	114299-55040	CAP ASSY, FUEL TANK	1							
7	3	114288-55081	VALVE	1							
8	2	114299-55100	FILTER, FUEL OIL	1							
9	2	114250-55201	DAMPER, FUEL TANK	4							
10	1	114210-55210	STAY A, FUEL TANK	1							
11	1	114210-55230	STAY B, FUEL TANK	1							
12	1	114250-55301	COCK ASSY, FUEL	1							
13	2	24341-000150	O-RING 1A S-15.0	1							
14	1	114210-55810	BOLT, LIFTING	1							
15	1	22117-080000	WASHER 8	1							
16	1	26106-060162	BOLT M 6X 16 PLATED	2							
17	1	26106-080452	BOLT M 8X 45 PLATED	1							
18	1	26366-060002	NUT M 6	2							
19	1	114780-59010	PIPE ASSY, FUEL OIL	1							
20	2	114780-59060	PIPE, FUEL OIL	1							
21	2	23080-014000	CLAMP 14	2							
22	1	114239-59300	PIPE ASSY, RETURN	1							
23	2	124722-59050	CLIP, HOSE	1							
24	2	114650-59060	PIPE, FUEL RETURN	1							
25	2	114652-59310	TUBE, PROTECT	1							
26	2	121750-59890	CLAMP 140	1							
27	2	124066-59100	CLIP, HOSE	1							
28	1	114210-59800	PIPE ASSY, INJECTION	1							
34	1	114210-59850	SUPPORT, INJ. PIPE	1							
35	1	114250-55121	FILTER ASSY, FUEL	1							
36	2	114250-55130	GASKET	1							

Part Number Index

All parts are stipulated in the order of part numbers.

(Depending on the area in which the part is used.)

This index will display the location of the part according to each part number.

PARTS No. INDEX

PARTS No.	Fig.	Ref.No.
104200-66820	5	41
104200-66831	5	42
104200-66850	5	43
105010-11490	2	28
105546-51020	7	2
105546-51330	7	15
114210-01020	1	1
114210-01200	2	1
114210-01210	2	2
114210-01450	1	27
114210-03590	2	38
114210-11120	2	10
114210-11180	2	11
114210-11310	2	35
	9	29
114210-11901	2	30
114210-11930	2	12
114210-11950	2	36
114210-12010	3	2
114210-12210	3	15
	9	30
114210-12560	3	9
114210-12590	3	10
114210-12600	3	13
114210-14200	4	6
114210-14300	4	7
114210-14400	4	12
114210-23600	4	42
114210-23610	4	63
114210-23620	4	65
114210-28050	4	62
114210-45350	6	12
114210-45360	6	13
114210-55210	8	10
114210-55230	8	11
114210-55810	8	14
114210-59800	8	28
114210-59850	8	34
114210-61290	5	17
114210-66070	5	37
114210-66550	5	36
114211-61500	5	22
11421C-11100	2	8
11421C-11110	2	9
11421C-11250	2	14
11421C-11260	2	15
11421C-11650	2	17
11421C-11660	2	21
11421C-13500	3	19
11421C-45100	6	17

PARTS No.	Fig.	Ref.No.
11421C-45260	6	8
11421C-45270	6	9
11421C-45300	6	4
11421C-45310	6	5
11421C-55710	8	1
114220-07100	9	3
114220-07110	9	4
114220-07120	6	2
114220-07130	9	6
114220-07140	9	8
114220-11020	2	3
114220-12500	3	6
114220-12550	3	1
114220-66010	5	48
114220-66600	5	50
114220-92600	9	15
11422C-45200	6	1
114239-51100	7	5
114239-53200	7	32
114239-59300	8	22
114240-11450	2	26
114240-11550	2	27
114250-01841	1	19
	9	25
114250-11240	2	19
		23
114250-32010	5	1
114250-51080	7	3
114250-51160	7	4
114250-51340	7	16
114250-51600	7	18
114250-51640	7	19
114250-51650	7	20
114250-53080	7	23
114250-53120	7	29
114250-53130	7	30
114250-53140	7	31
114250-53210	7	35
114250-53400	7	36
114250-55121	8	35
114250-55130	8	36
114250-55201	8	9
114250-55301	8	12
114250-66440	5	40
114288-55081	8	7
114299-01600	1	22
114299-01690	1	34
114299-01800	1	7
114299-01830	1	18
114299-01950	1	37

PARTS No.	Fig.	Ref.No.
114299-01950	9	24
114299-02030	1	41
114299-03640	2	41
114299-07100	9	1
114299-07110	9	2
114299-07160	9	5
114299-11600	2	29
114299-12210	9	37
114299-12300	3	14
114299-12920	9	38
114299-13200	3	18
	9	31
114299-13800	3	28
114299-21220	4	21
114299-21550	4	22
114299-32070	5	7
114299-32570	5	8
	9	32
114299-35110	5	11
114299-35150	1	32
114299-45220	6	7
114299-45301	6	18
114299-45310	6	19
114299-45331	6	20
114299-45350	6	21
114299-55040	8	5
114299-55080	8	3
114299-55100	8	8
114299-61190	5	15
114299-61600	5	34
114299-66200	5	49
114299-92590	9	9
114299-92600	9	10
114299-92710	9	11
114299-92720	9	12
114299-92730	9	13
114299-92740	9	14
114339-53100	7	24
114350-02100	1	30
114350-02113	1	42
114350-02200	1	47
114350-02210	1	48
114350-11340	2	25
	9	27
114350-45340	6	6
114380-23100	4	44
114395-01330	9	16
114395-01341	1	5
114399-01380	1	6
	9	22

PARTS No.	Fig.	Ref.No.
114399-01410	1	26
	9	23
114399-01700	1	39
114399-21590	4	23
114399-21600	4	26
114399-21980	9	39
114399-22300	4	36
114399-45320	6	10
114399-45340	6	11
114399-76251	6	23
114399-76510	6	24
114399-76521	6	25
114399-76531	6	27
114399-76540	6	28
114399-76550	6	29
114399-76560	6	30
114399-76570	6	31
114399-76580	6	32
114399-76590	6	35
114399-76620	6	33
114399-76630	6	34
114650-51300	7	12
114650-59060	8	24
114652-59310	8	25
114699-01760	1	35
114770-61520	5	33
114770-61610	5	35
114771-11461	9	28
114780-59010	8	19
114780-59060	8	20
114780-61090	5	56
118200-23200	4	41
121750-59890	8	26
124066-59100	8	27
124550-51350	7	17
124722-59050	8	23
129100-77510	9	36
160110-02220	1	43
		44
160842-21150	4	69
160842-21250	4	67
160842-21260	4	68
183720-55210	6	3
714210-28510	4	45
714210-61701	5	16
71421C-21030	4	13
71421C-23010	4	38
714220-22580	4	56
714220-22620	4	50
714220-22720	4	28

MODEL : L70N6CF1F1AACO
PC NO : 0CW10-G62600

PARTS No. INDEX

PARTS No.	Fig.	Ref.No.
71422C-14580	4	1
714239-51200	7	1
714239-53200	7	22
714870-22502	4	30
714870-22542	4	52
714870-22552	4	58

PARTS No.	Fig.	Ref.No.
-----------	------	---------

PARTS No.	Fig.	Ref.No.
-----------	------	---------

PARTS No.	Fig.	Ref.No.
-----------	------	---------



YANMAR CO.,LTD.