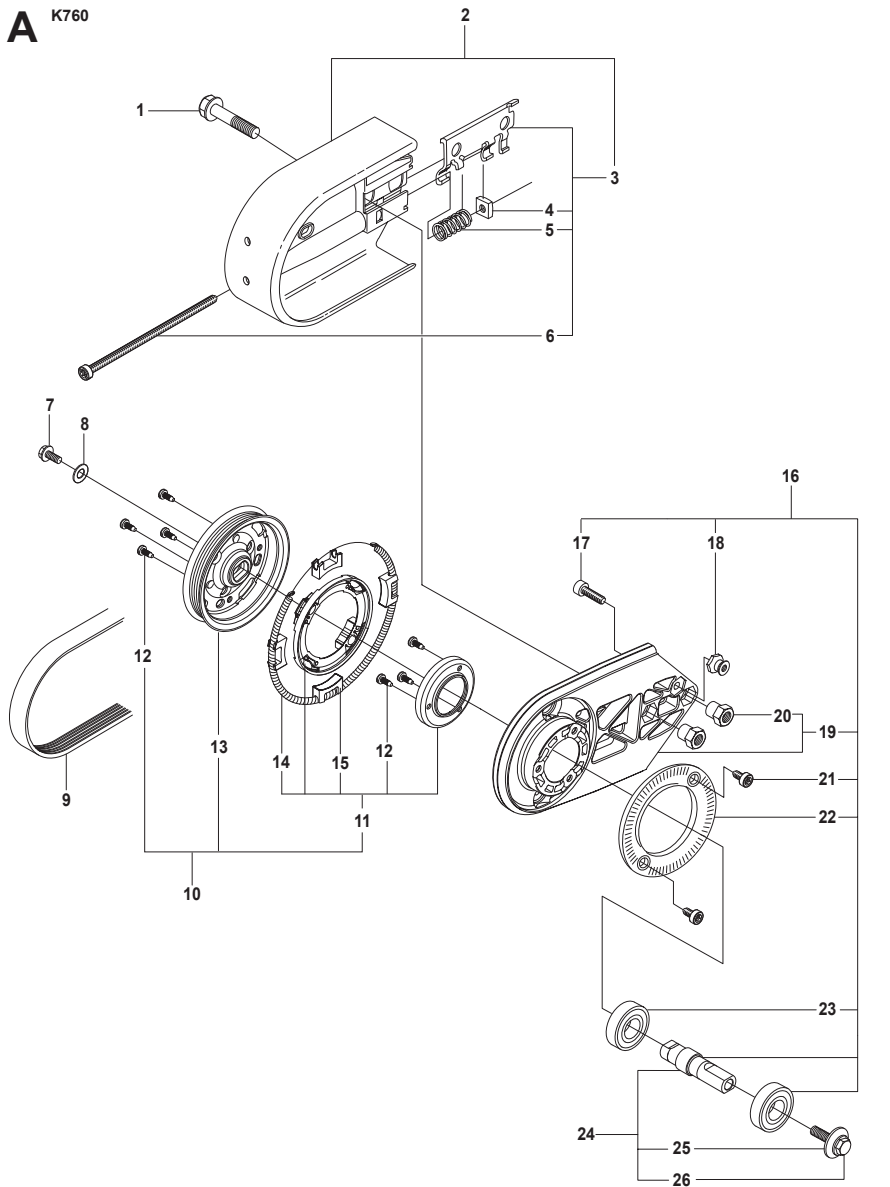


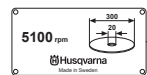
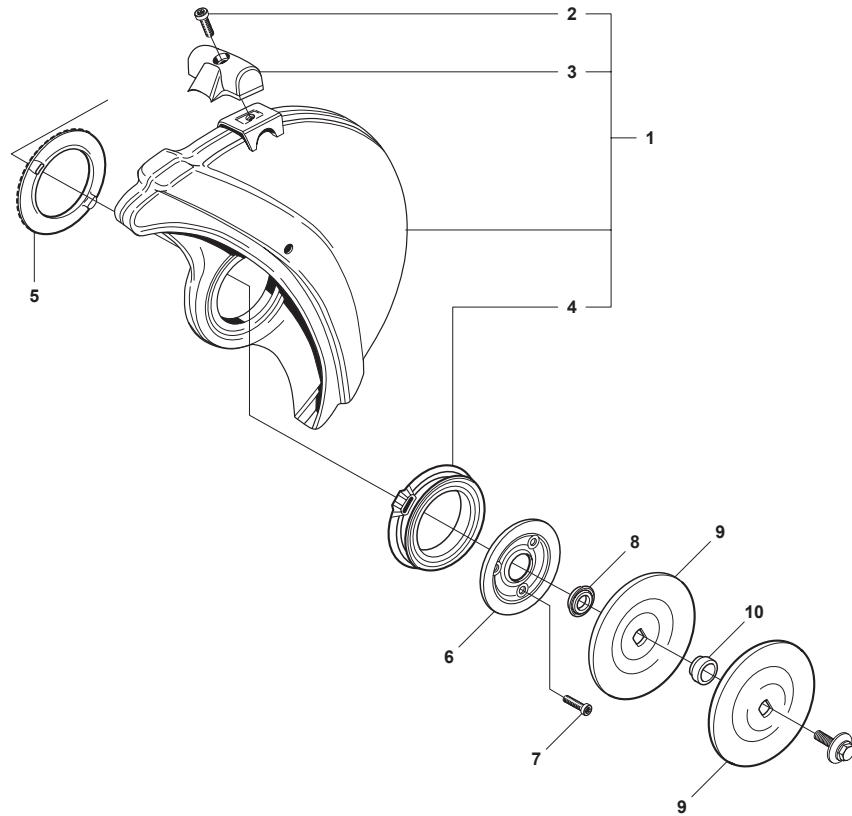
A K760



★Vベルトの張り直し
 Vベルトカパー上の2箇所のナットを緩め、V
 ベルトカパー上の7箇所(図示)に調整ネジを
 緩め、Vベルトを調整ネジを緩めた位置まで
 戻します。調整ネジを締め直します。

Page A
 K760

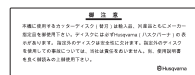
| Pos. | Part No. | Description | Quantity | Notes | New Part |
|------|--------------|----------------------|----------|------------------------|----------|
| | | | | | |
| 1 | 506 28 44-01 | COLLAR SCREW | 2 | | |
| 2 | 506 39 36-02 | BELT GUARD | 1 | Incl. 3 | |
| 3 | 506 26 66-04 | BELT TENSIONER ASSY | 1 | Incl. 4 - 6 | |
| 4 | 506 40 93-01 | NUT | 1 | | |
| 5 | 506 26 68-01 | COMPRESSION SPRING | 1 | | |
| 6 | 503 20 72-05 | SCREW | 1 | | |
| 7 | 503 20 00-45 | SCREW | 1 | | |
| 8 | 503 23 01-16 | WASHER STEEL | 1 | | |
| 9 | 544 90 84-02 | BELT | 1 | | |
| 10 | 504 03 70-07 | PULLEY WITH RETARDER | 1 | Incl. 11 - 13 | |
| 11 | 505 44 54-03 | RETARDER CPL | 1 | Incl. 12, 14 - 15 | |
| 12 | 503 21 28-10 | SCREW | 7 | | |
| 13 | 504 06 22-01 | PULLEY | 1 | | |
| 14 | 544 44 10-01 | SPRING | 1 | | |
| 15 | 544 44 04-02 | BRAKE SHOE | 4 | | |
| 16 | 506 39 42-08 | BEARING HOUSING | 1 | Incl. 17 - 19, 21 - 23 | |
| 17 | 505 57 41-16 | SCREW | 1 | | |
| 18 | 506 14 32-01 | TORSION STOP | 1 | | |
| 19 | 506 39 42-06 | BEARING HOUSING | 1 | Incl. 20 | |
| 20 | 506 28 73-01 | NUT | 2 | | |
| 21 | 503 21 53-10 | SCREW | 2 | | |
| 22 | 506 28 84-01 | RATCHET FLANGE | 1 | | |
| 23 | 503 25 21-01 | BALL BEARING | 2 | | |
| 24 | 506 29 83-65 | SHAFT | 1 | Incl. 25 - 26 | |
| 25 | 506 13 95-11 | WASHER | 1 | | |
| 26 | 506 13 96-01 | COLLAR SCREW | 1 | | |
| 27 | 506 30 97-05 | LABEL | 1 | Japan only | |



11



12

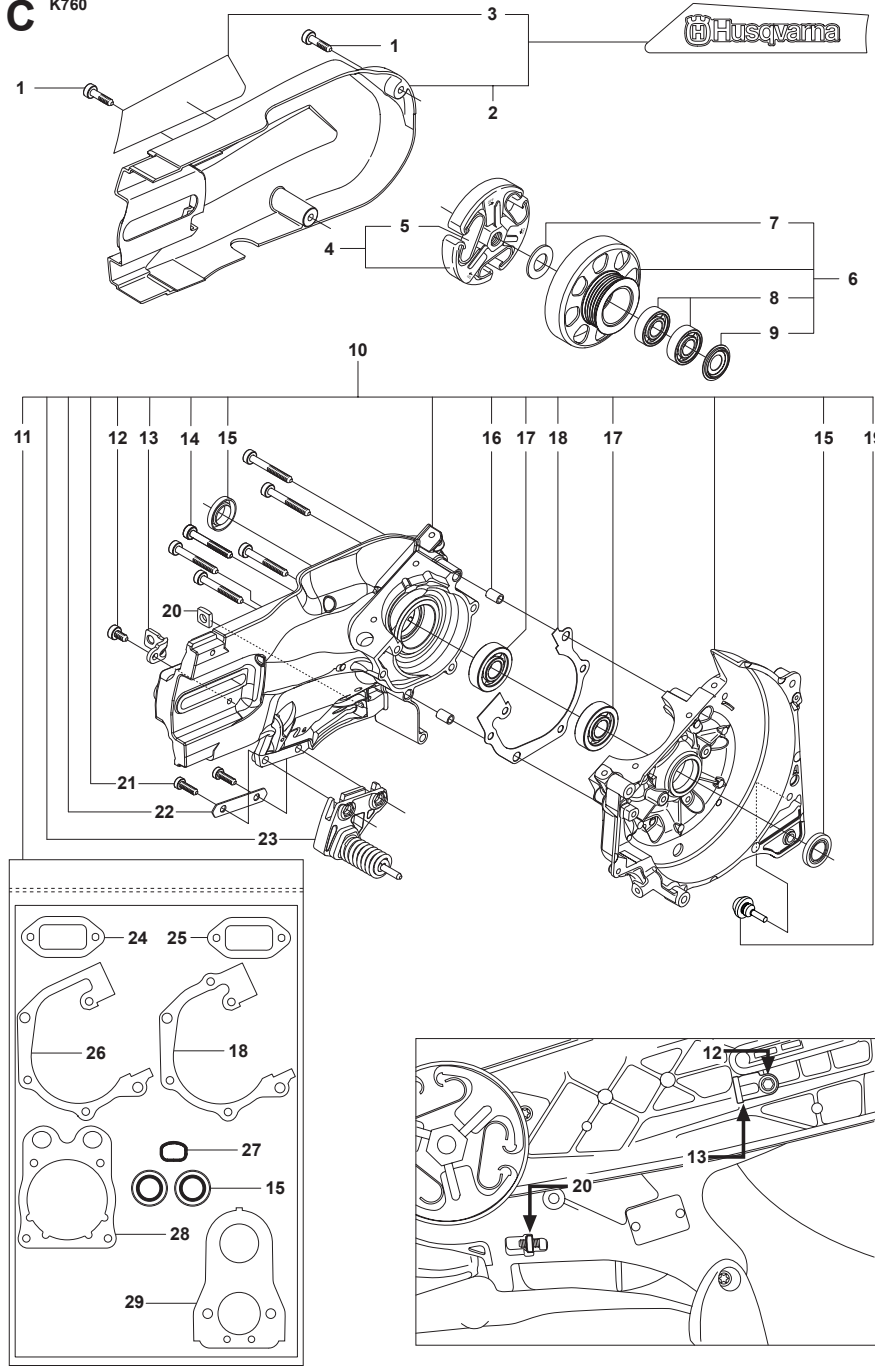


13

Page B
K760

| Pos. | Part No. | Description | Quantity | Notes | New Part |
|------|--------------|----------------------|----------|------------------|----------|
| 1 | 506 34 05-42 | WHEEL GUARD ASSY | 1 | 12", Incl. 2 - 4 | |
| 1 | 506 34 05-44 | WHEEL GUARD ASSY | 1 | 14", Incl. 2 - 4 | |
| 2 | 503 21 53-20 | SCREW | 1 | | |
| 3 | 506 34 46-02 | HANDLE | 1 | | |
| 4 | 506 26 63-02 | LINING | 1 | | |
| 5 | 506 26 64-01 | SCREEN PATTERN FLANG | 1 | | |
| 6 | 506 26 65-01 | FLANGE | 1 | | |
| 7 | 505 57 41-16 | SCREW | 3 | | |
| 8 | 506 32 48-01 | SUPPORT FLANGE | 1 | | |
| 9 | 506 02 87-01 | FLANGE WASHER | 2 | Diam 105 mm | |
| 9 | 506 07 09-01 | FLANGE WASHER | 2 | Diam 119 mm | |
| 10 | 506 37 96-20 | BUSHING | 1 | Diam 20 mm | |
| 10 | 506 37 96-22 | BUSHING | 1 | Diam 22,2 mm | |
| 10 | 506 37 96-25 | BUSHING | 1 | Diam 25,4 mm | |
| 10 | 506 02 88-30 | BUSHING | 1 | Diam 30,5 mm | |
| 11 | 506 28 41-04 | LABEL | 1 | 12", Diam 1" | |
| 11 | 506 28 41-02 | LABEL | 1 | 12", Diam 20 mm | |
| 11 | 506 28 41-14 | LABEL | 1 | 14", Diam 1" | |
| 11 | 506 28 41-12 | LABEL | 1 | 14", Diam 20 mm | |
| 12 | 506 24 34-35 | LABEL | 1 | Japan only | |
| 13 | 506 24 35-25 | LABEL | 1 | Japan only | |

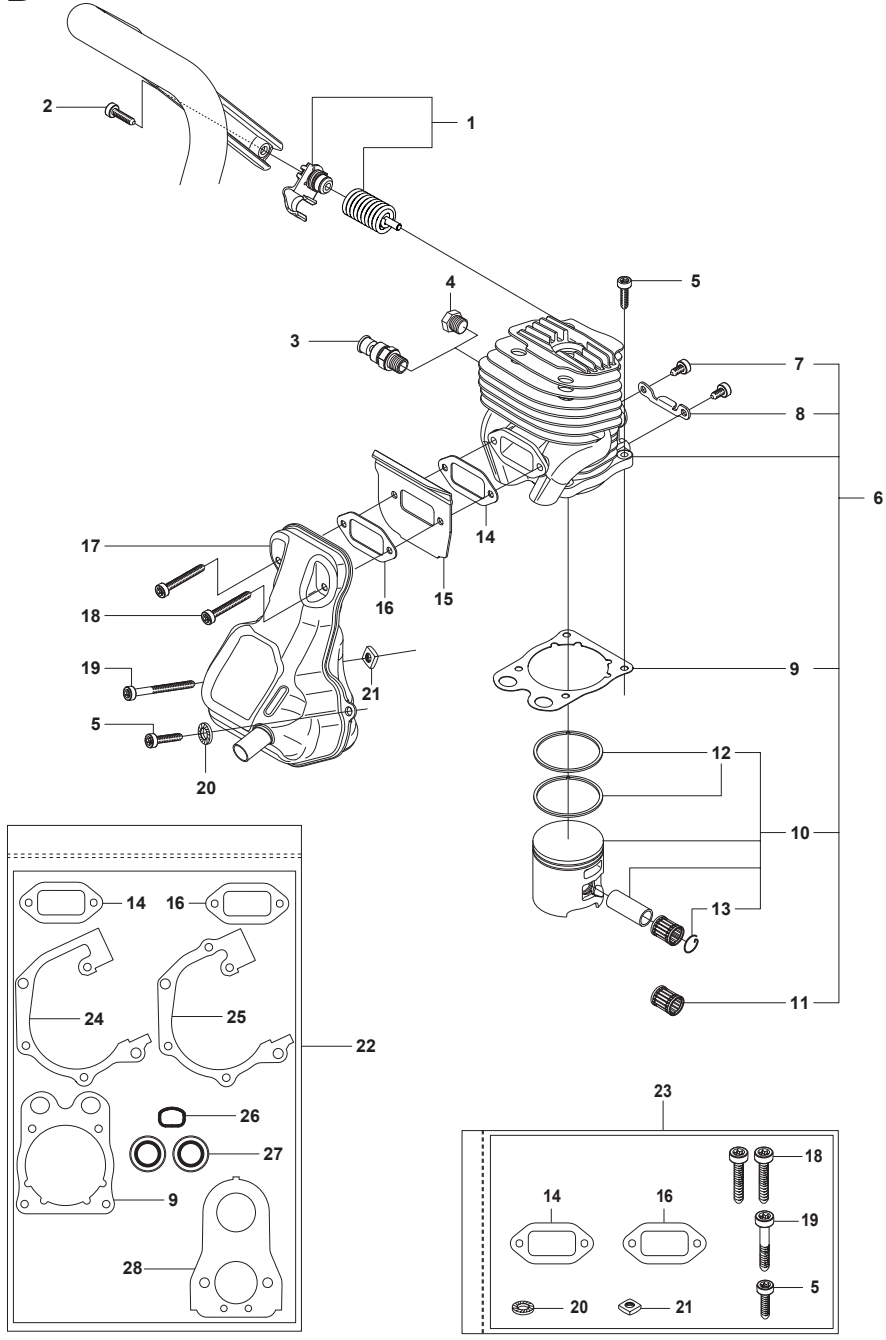
C K760



Page C
K760

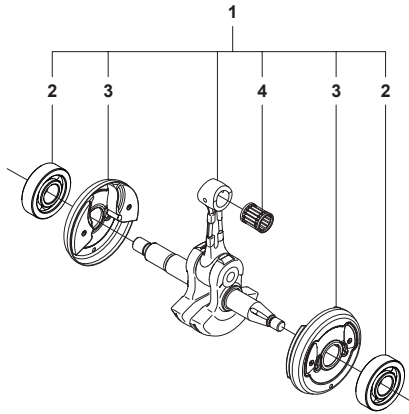
| Pos. | Part No. | Description | Quantity | Notes | New Part |
|------|--------------|----------------------|----------|------------------------|----------|
| 1 | 501 98 10-20 | SCREW | 2 | | |
| 2 | 522 98 08-01 | BELT GUARD | 1 | Incl. 3 | |
| 3 | 544 89 11-01 | LABEL | 1 | | |
| 4 | 503 74 44-06 | CLUTCH ASSY | 1 | Incl. 5 | |
| 5 | 503 74 43-01 | CLUTCH SPRING | 3 | | |
| 6 | 502 28 92-02 | DRIVING PULLEY ASSY | 1 | Incl. 7 - 9 | |
| 7 | 503 23 00-70 | WASHER STEEL | 1 | | |
| 8 | 525 83 18-01 | BALL BEARING | 2 | | |
| 9 | 506 31 69-01 | DUST COVER | 1 | | |
| 10 | 574 36 41-01 | CRANKCASE ASSY | 1 | Incl. 11 - 19, 21 - 23 | |
| 11 | 506 38 53-05 | GASKET KIT | 1 | Incl. 15, 18, 24 - 29 | |
| 12 | 501 98 10-01 | SCREW | 1 | | |
| 13 | 544 00 78-01 | BRACKET | 1 | | |
| 14 | 503 21 53-41 | SCREW | 6 | | |
| 15 | 503 26 02-04 | SEALING RING | 2 | | |
| 16 | 501 27 08-01 | GUIDE BUSHING | 2 | | |
| 17 | 738 22 02-25 | BALL BEARING | 2 | | |
| 18 | 506 37 70-03 | GASKET CRANKCASE | 1 | | |
| 19 | 503 84 61-01 | BUFFER | 1 | | |
| 20 | 503 22 65-04 | NUT | 1 | | |
| 21 | 503 21 53-16 | SCREW | 2 | | |
| 22 | 522 47 48-01 | WASHER | 1 | | |
| 23 | 522 47 57-01 | SPRING RETAINER | 1 | | |
| 24 | 506 41 23-01 | GASKET | 1 | | |
| 25 | 506 37 69-02 | GASKET MUFFLER | 1 | | |
| 26 | 506 37 70-02 | GASKET CRANKCASE | 1 | | |
| 27 | 544 21 93-02 | INSERT | 1 | | |
| 28 | 506 37 67-01 | CYLINDER BASE GASKET | 1 | | |
| 29 | 506 37 68-04 | GASKET CARBURETTOR | 1 | | New Part |

D K760



Page D
K760

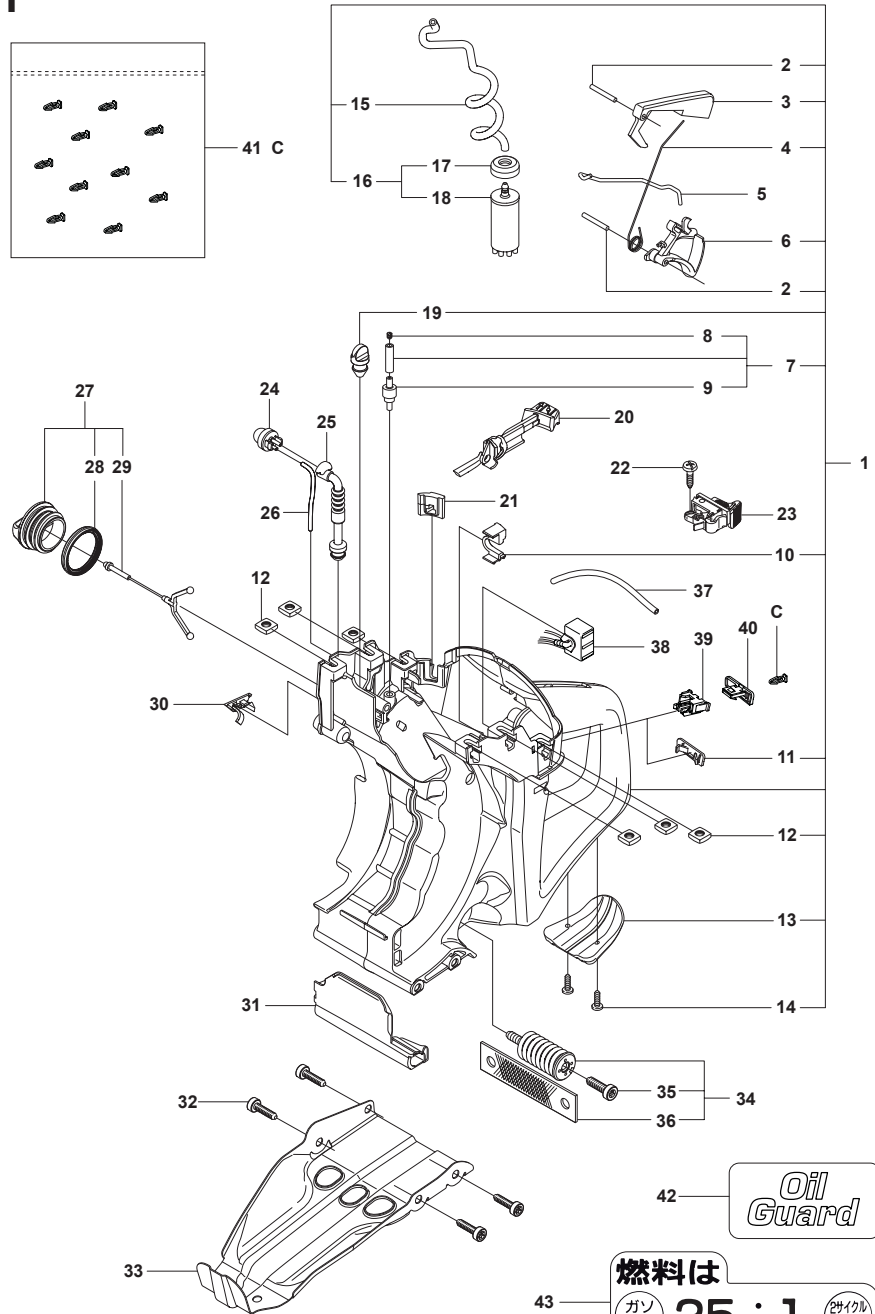
| Pos. | Part No. | Description | Quantity | Notes | New Part |
|------|--------------|----------------------|----------|--------------------------|----------|
| 1 | 505 42 45-01 | VIB.INSULATOR | 1 | | |
| 2 | 544 06 12-01 | SCREW | 1 | | |
| 3 | 503 71 53-01 | DECOMPRESSION VALVE | 1 | | |
| 4 | 503 55 22-01 | PLUG | 1 | | |
| 5 | 503 21 53-25 | SCREW | 5 | | |
| 6 | 520 75 73-04 | CYLINDER ASSY | 1 | Incl. 7 - 11 | |
| 7 | 503 21 53-16 | SCREW | 2 | | |
| 8 | 506 36 88-01 | BRACKET | 1 | | |
| 9 | 506 37 67-01 | CYLINDER BASE GASKET | 1 | | |
| 10 | 506 37 24-01 | PISTON ASSY | 1 | Incl. 12 - 13 | |
| 11 | 503 25 56-01 | NEEDLE BEARING | 1 | | |
| 12 | 503 28 90-47 | PISTON RING | 2 | | |
| 13 | 737 43 12-00 | CIRCLIP | 2 | | |
| 14 | 506 41 23-01 | GASKET | 1 | | |
| 15 | 506 37 58-02 | COOLING PLATE | 1 | | |
| 16 | 506 37 69-02 | GASKET MUFFLER | 1 | | |
| 17 | 506 36 42-04 | MUFFLER | 1 | | |
| 18 | 503 21 53-40 | SCREW | 2 | | |
| 19 | 503 21 53-56 | SCREW | 1 | | |
| 20 | 503 23 04-02 | WASHER | 1 | | |
| 21 | 503 22 65-04 | NUT | 1 | | |
| 22 | 506 38 53-05 | GASKET KIT | 1 | Incl. 9, 14, 16, 24 - 28 | |
| 23 | 505 25 96-01 | MUFFLER MOUNTING KIT | 1 | Incl. 5, 14, 16, 18 - 21 | |
| 24 | 506 37 70-02 | GASKET CRANKCASE | 1 | | |
| 25 | 506 37 70-03 | GASKET CRANKCASE | 1 | | |
| 26 | 544 21 93-02 | INSERT | 1 | | |
| 27 | 503 26 02-04 | SEALING RING | 2 | | |
| 28 | 506 37 68-04 | GASKET CARBURETTOR | 1 | | New Part |



Page E
K760

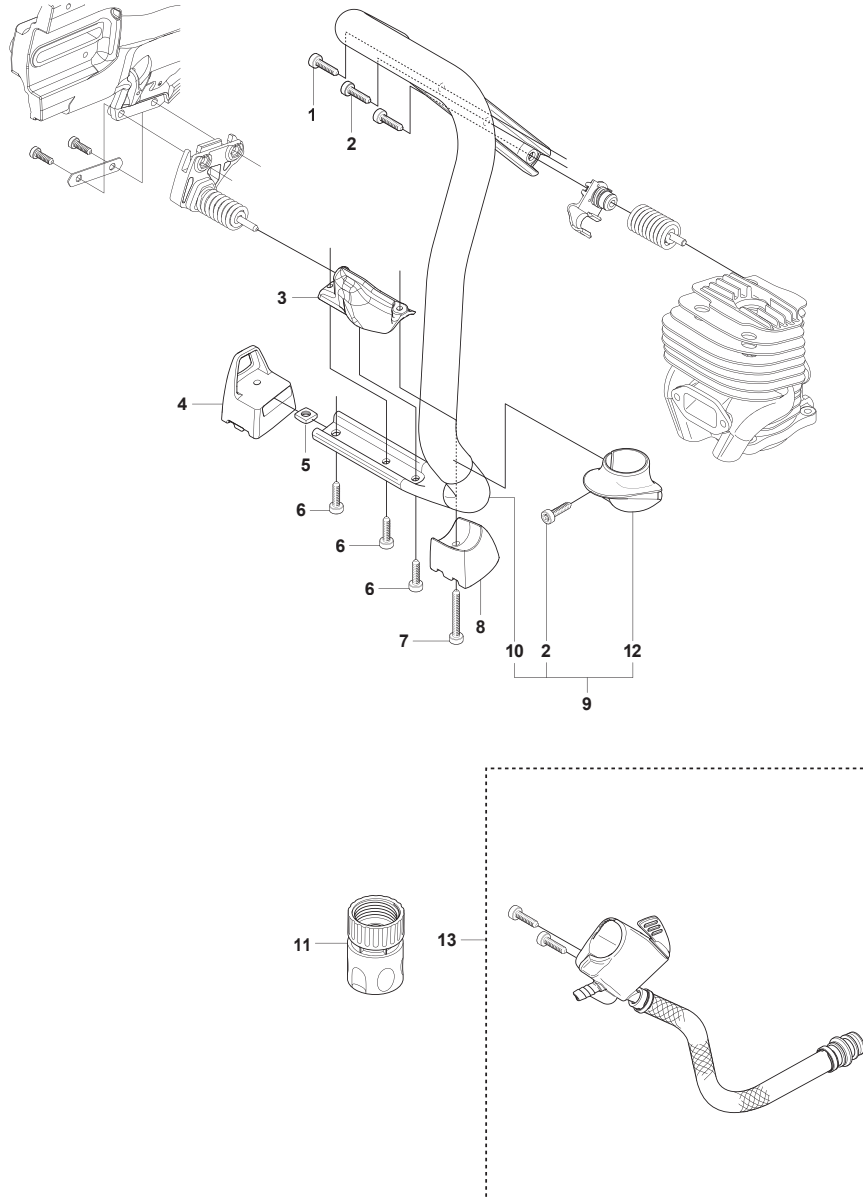
| Pos. | Part No. | Description | Quantity | Notes | New Part |
|------|--------------|-----------------|----------|-------------|----------|
| 1 | 502 29 50-02 | CRANKSHAFT ASSY | 1 | Incl. 2 - 4 | |
| 2 | 738 22 02-25 | BALL BEARING | 2 | | |
| 3 | 537 20 33-01 | CUP | 2 | | |
| 4 | 503 25 56-01 | NEEDLE BEARING | 1 | | |

F K760

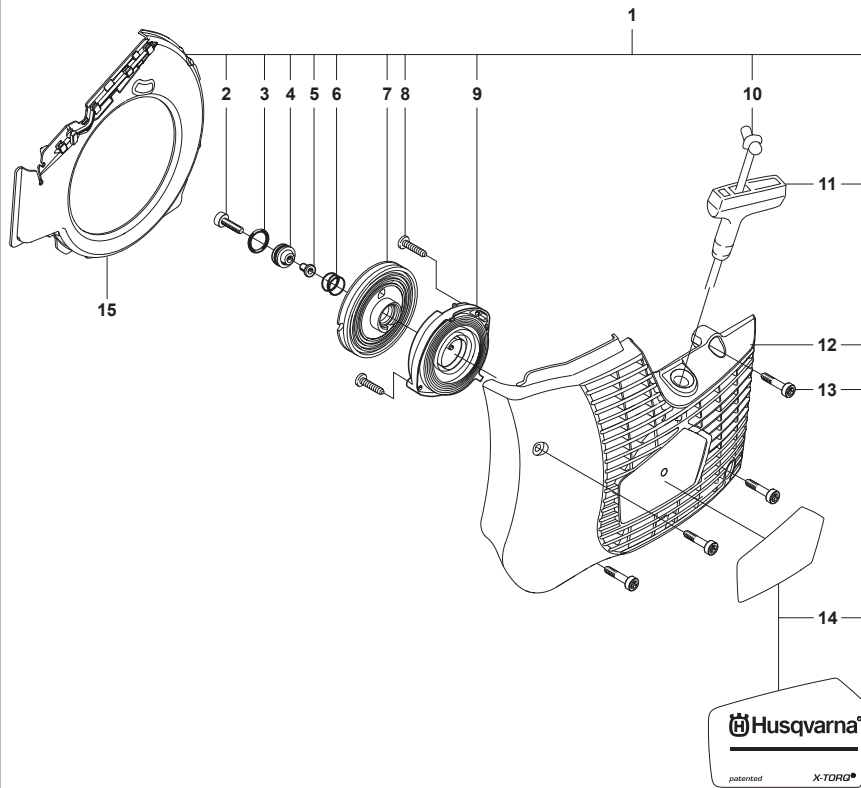


Page F
K760

| Pos. | Part No. | Description | Quantity | Notes | New Part |
|------|--------------|--------------------|----------|-----------------------------|----------|
| 1 | 506 38 65-13 | FUEL TANK | 1 | Incl. 2 - 4, 6 - 7, 10 - 16 | |
| 2 | 720 12 40-20 | PARALLEL PIN | 2 | | |
| 3 | 506 22 28-02 | THROTTLE LOCKOUT | 1 | | |
| 4 | 506 37 95-01 | SPRING | 1 | | |
| 5 | 506 37 13-02 | THROTTLE ROD | 1 | | New Part |
| 6 | 506 37 20-03 | THROTTLE TRIGGER | 1 | | |
| 7 | 506 38 66-01 | TANK VENT ASSY | 1 | Incl. 8 - 9 | |
| 8 | 504 35 72-01 | SINTER PLUG | 1 | | |
| 9 | 503 16 40-01 | TANK VENT | 1 | | |
| 10 | 544 39 32-01 | HOSE CLIP | 1 | | |
| 11 | 501 37 13-01 | LID | 1 | | |
| 12 | 503 22 65-04 | NUT | 6 | | |
| 13 | 506 38 67-02 | GROUND SUPPORT | 1 | | |
| 14 | 503 21 45-16 | SCREW | 2 | | |
| 15 | 544 32 50-03 | FUEL HOSE | 1 | | |
| 16 | 506 26 41-11 | FUEL FILTER | 1 | Incl. 17 - 18 | |
| 17 | 506 27 11-01 | HOSE CLAMP | 1 | | |
| 18 | 506 26 41-01 | FUEL FILTER | 1 | | |
| 19 | 574 40 57-01 | SEALING PLUG | 1 | | |
| 20 | 544 22 90-02 | CHOKE CONTROL | 1 | | |
| 21 | 506 37 80-01 | GROMMET | 1 | | |
| 22 | 503 21 28-10 | SCREW | 1 | | |
| 23 | 506 31 86-02 | STOP SWITCH | 1 | | |
| 24 | 503 93 66-01 | PRIMER HOUSING | 1 | Purge | |
| 25 | 505 19 52-01 | FUEL HOSE | 1 | Purge | |
| 26 | 537 04 24-14 | FUEL HOSE | 1 | Purge | |
| 27 | 506 25 59-03 | TANK CAP ASSY | 1 | Incl. 28 - 29 | |
| 28 | 506 29 21-01 | GASKET | 1 | | |
| 29 | 503 57 89-01 | TANK CAP HOLDER | 1 | | |
| 30 | 506 39 46-02 | CAP | 1 | | |
| 31 | 506 38 15-01 | HEAT SHIELD | 1 | | |
| 32 | 503 21 54-20 | SCREW | 4 | | |
| 33 | 506 37 19-02 | BASE PLATE | 1 | | |
| 34 | 537 21 03-07 | VIBRATION ABSORBER | 1 | Incl. 35 - 36 | |
| 35 | 544 06 12-01 | SCREW | 1 | | |
| 36 | 544 23 82-01 | BAND | 1 | | |
| 37 | 544 32 49-37 | FUEL HOSE | 1 | Oil Guard | |
| 38 | 544 38 41-01 | ELECTRONIC BOX | 1 | Oil Guard | |
| 39 | 501 01 88-01 | HOUSING | 1 | Oil Guard | |
| 40 | 501 01 94-01 | SWITCH | 1 | Oil Guard | |
| 41 | 502 23 33-01 | KIT BREAK PIN | 1 | Oil Guard, Incl. 10 pins | |
| 42 | 501 31 89-01 | LABEL | 1 | Oil Guard | |
| 43 | 506 31 30-01 | LABEL | 1 | Japan only | |



| Pos. | Part No. | Description | Quantity | Notes | New Part |
|------|--------------|-----------------|----------|------------------|----------|
| 1 | 544 06 12-01 | SCREW | 3 | | |
| 2 | 503 21 54-20 | SCREW | 3 | | |
| 3 | 575 26 77-01 | SPRING RETAINER | 1 | | New Part |
| 4 | 522 83 23-01 | GROUND SUPPORT | 1 | | |
| 5 | 503 22 65-04 | NUT | 1 | | New Part |
| 6 | 503 21 53-10 | SCREW | 3 | | |
| 7 | 503 21 53-40 | SCREW | 1 | | |
| 8 | 522 83 24-01 | GROUND SUPPORT | 1 | | |
| 9 | 506 38 58-04 | HANDLE | 1 | Incl. 2, 10 - 11 | |
| 10 | 506 37 11-03 | FRONT HANDLE | 1 | | |
| 11 | 506 38 71-02 | STOP | 1 | | |
| 12 | 503 26 60-03 | COUPLER | 1 | USA, Canada | |
| 12 | 503 26 60-04 | COUPLER | 1 | | |
| 13 | 505 09 55-01 | HOSE KIT | 1 | | |

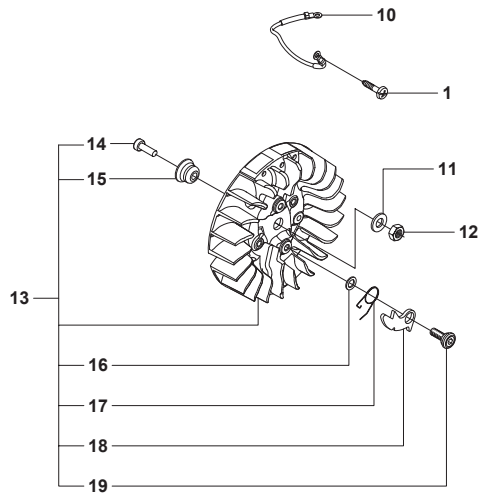
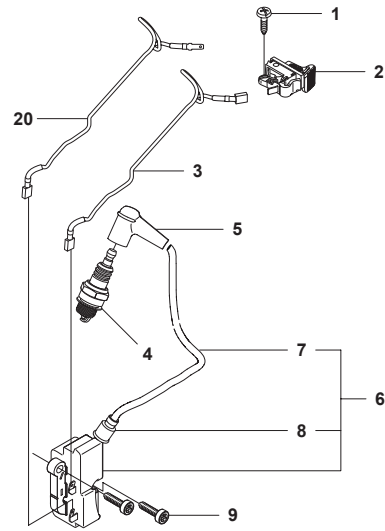
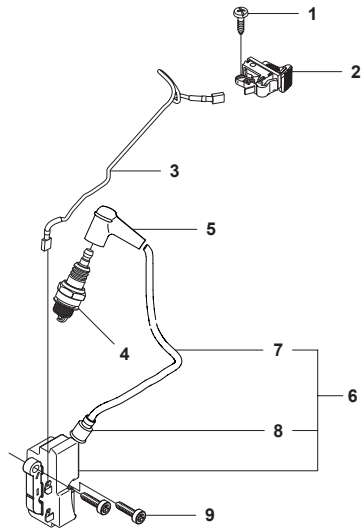


Page H
K760

| Pos. | Part No. | Description | Quantity | Notes | New Part |
|------|--------------|--------------------|----------|--------------|----------|
| 1 | 574 36 20-01 | STARTER | 1 | Incl. 2 - 15 | |
| 2 | 510 26 92-22 | SCREW | 1 | | |
| 3 | 740 43 13-00 | O-RING | 1 | | |
| 4 | 510 00 08-01 | SEALING HOLDER | 1 | | |
| 5 | 506 26 31-01 | SPACING SLEEVE | 1 | | |
| 6 | 506 25 30-01 | COMPRESSION SPRING | 1 | | |
| 7 | 506 25 81-02 | STARTER PULLEY | 1 | | |
| 8 | 503 21 28-10 | SCREW | 2 | | |
| 9 | 506 25 89-01 | RECOIL SPRING | 1 | | |
| 10 | 506 33 56-15 | STARTER CORD | 1 | | |
| 10 | 506 33 56-50 | STARTER CORD | 1 | 50 m | |
| 11 | 503 12 79-01 | STARTER HANDLE | 1 | | |
| 12 | 525 44 60-01 | STARTER COVER | 1 | | |
| 13 | 501 98 10-20 | SCREW | 4 | | |
| 14 | 525 57 11-01 | LABEL | 1 | | |
| 15 | 544 38 39-01 | AIR CONDUCTOR | 1 | | |

J K760

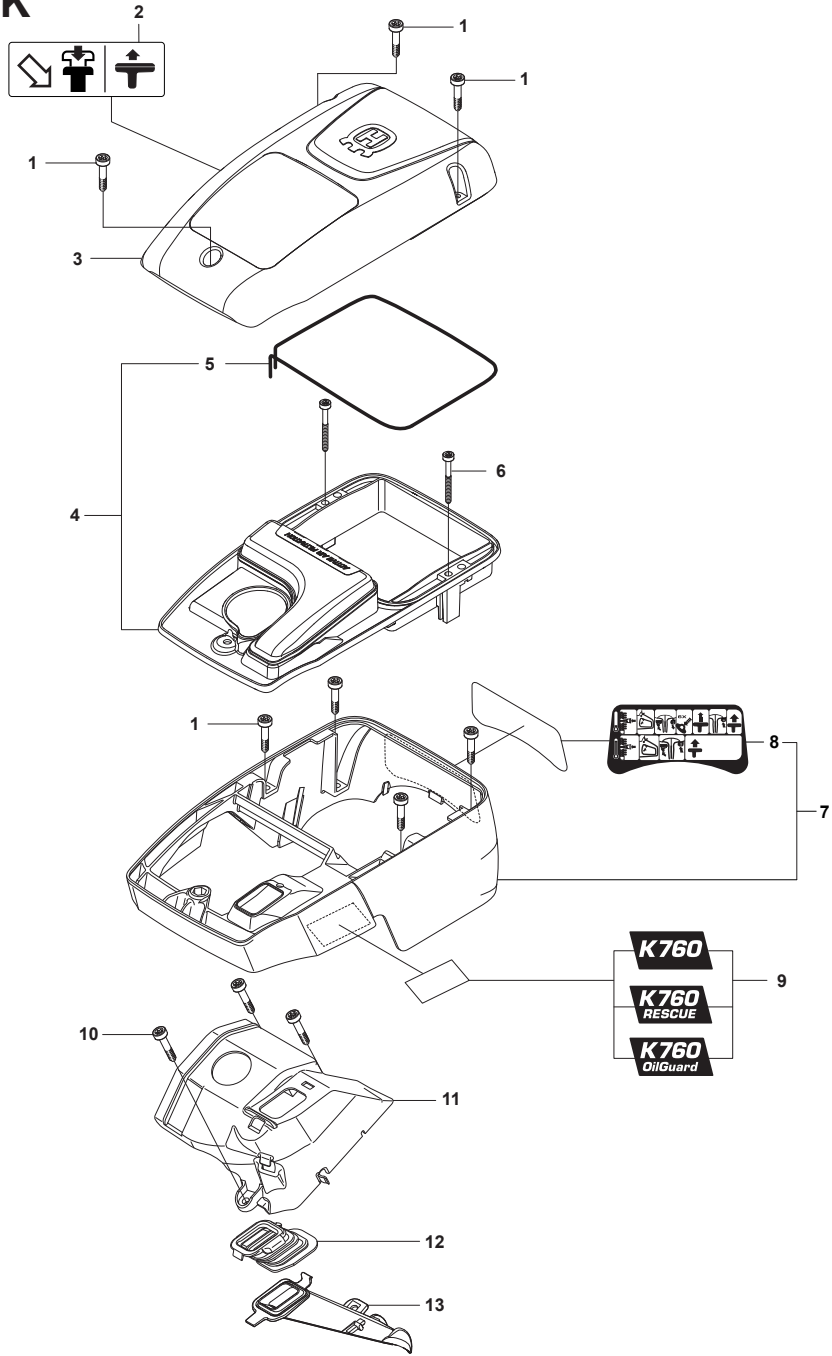
K760 Oil Guard



Page J
K760

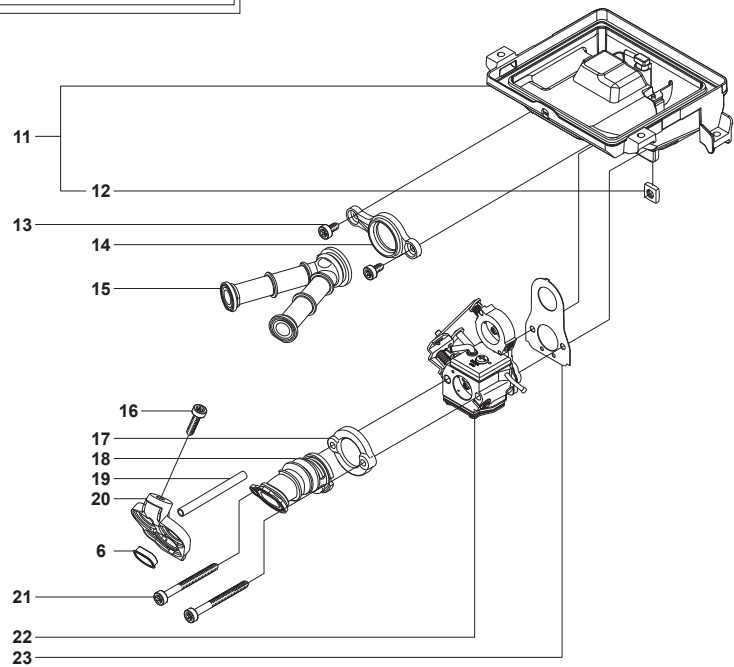
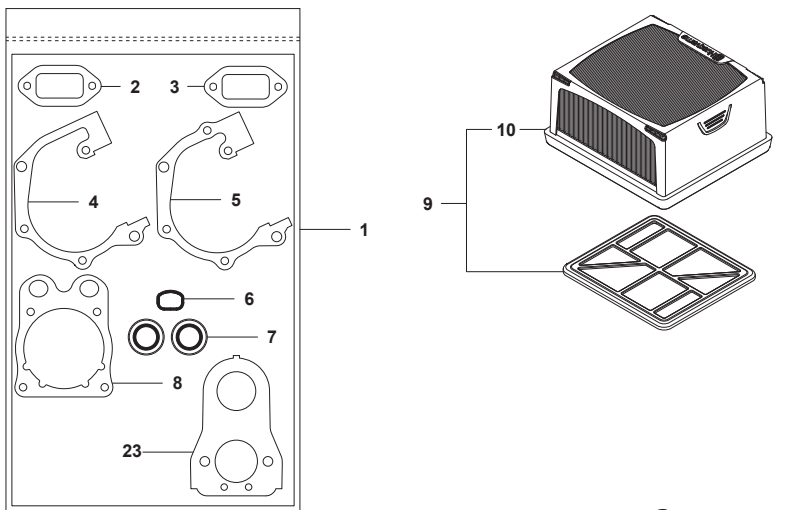
| Pos. | Part No. | Description | Quantity | Notes | New Part |
|------|--------------|-----------------|----------|---------------|----------|
| 1 | 503 21 28-10 | SCREW | 2 | | |
| 2 | 506 31 86-02 | STOP SWITCH | 1 | | |
| 3 | 506 37 84-02 | CABLE | 1 | | |
| 3 | 544 97 93-01 | CABLE | 1 | Oil Guard | |
| 4 | 503 23 51-09 | SPARK PLUG | 1 | RCJ 6 Y | |
| 5 | 501 48 54-02 | SPARK PLUG CAP | 1 | | |
| 6 | 510 11 56-01 | IGNITION MODULE | 1 | Incl. 7 - 8 | |
| 7 | 506 38 78-34 | IGNITION CABLE | 1 | | |
| 8 | 505 27 75-16 | ISOLERHATT | 1 | | |
| 9 | 503 21 53-20 | SCREW | 2 | | |
| 10 | 506 37 85-01 | CABLE | 1 | | |
| 11 | 503 23 01-01 | WASHER STEEL | 1 | | |
| 12 | 503 22 10-11 | NUT | 1 | | |
| 13 | 501 37 56-04 | FLYWHEEL | 1 | Incl. 14 - 19 | New Part |
| 14 | 725 53 29-56 | SCREW | 1 | | New Part |
| 15 | 574 25 09-01 | WEIGHT | 1 | | New Part |
| 16 | 503 23 00-42 | WASHER STEEL | 2 | | |
| 17 | 501 63 48-01 | SPRING | 2 | | |
| 18 | 501 67 32-03 | PAWL | 2 | | |
| 19 | 506 00 69-01 | SCREW | 2 | | |
| 20 | 544 38 49-01 | CABLE | 1 | Oil Guard | |

K K760



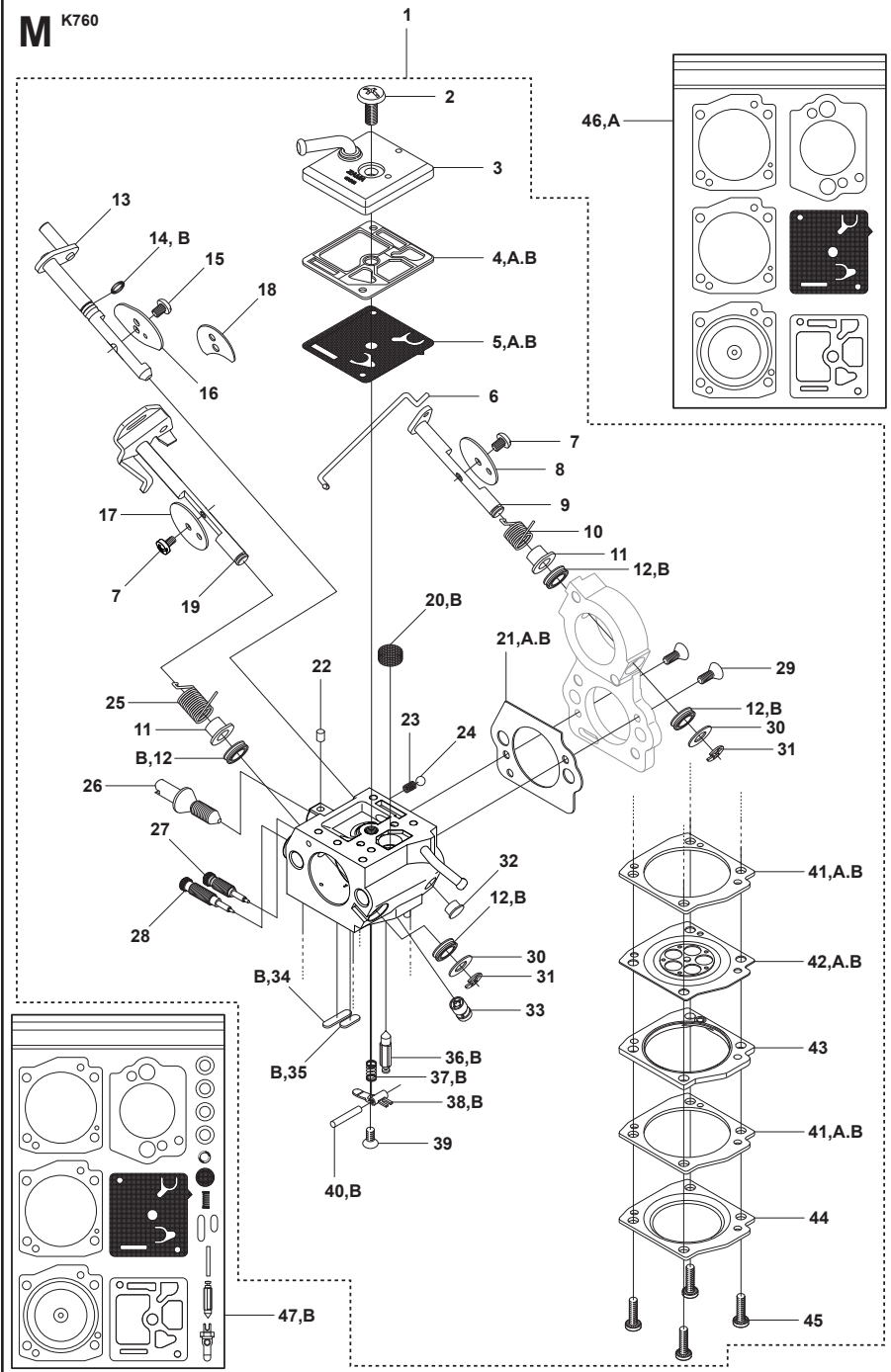
Page K
K760

| Pos. | Part No. | Description | Quantity | Notes | New Part |
|------|--------------|---------------------|----------|-----------|----------|
| 1 | 503 21 53-21 | SCREW | 7 | | |
| 3 | 525 44 43-01 | FILTER COVER | 1 | | |
| 4 | 574 36 21-01 | FILTER HOLDER ASSY | 1 | Incl. 5 | |
| 5 | 575 35 50-01 | SEALING | 1 | | |
| 6 | 503 21 53-49 | SCREW | 2 | | |
| 7 | 506 39 84-05 | CYLINDER COVER ASSY | 1 | Incl. 8 | |
| 8 | 544 89 09-02 | LABEL | 1 | | |
| 9 | 574 23 16-01 | DECAL | 1 | | |
| 9 | 574 23 16-02 | DECAL | 1 | Rescue | |
| 9 | 574 23 16-03 | DECAL | 1 | Oil Guard | |
| 10 | 501 98 10-20 | SCREW | 3 | | New Part |
| 11 | 506 37 02-01 | COVER | 1 | | |
| 12 | 506 37 04-01 | BELLOWS | 1 | | |
| 13 | 525 58 43-01 | AIR NOZZLE | 1 | | |
| 2 | 525 76 35-02 | DECAL | 1 | | |



| Pos. | Part No. | Description | Quantity | Notes | New Part |
|------|--------------|----------------------|----------|-----------------|----------|
| 1 | 506 38 53-05 | GASKET KIT | 1 | Incl. 2 - 8, 23 | |
| 2 | 506 41 23-01 | GASKET | 1 | | |
| 3 | 506 37 69-02 | GASKET MUFFLER | 1 | | |
| 4 | 506 37 70-02 | GASKET CRANKCASE | 1 | | |
| 5 | 506 37 70-03 | GASKET CRANKCASE | 1 | | |
| 6 | 544 21 93-02 | INSERT | 1 | | |
| 7 | 503 26 02-04 | SEALING RING | 2 | | |
| 8 | 506 37 67-01 | CYLINDER BASE GASKET | 1 | | |
| 9 | 574 36 23-01 | FILTER | 1 | Incl. 10 | |
| 10 | 525 47 06-01 | AIR FILTER PAPER | 1 | | |
| 11 | 575 35 40-01 | CARBURETTOR BRACKET | 1 | Incl. 12 | |
| 12 | 503 22 65-04 | NUT | 4 | | |
| 13 | 503 21 53-10 | SCREW | 2 | | |
| 14 | 506 37 06-01 | FLANGE INLET PIPE | 1 | | |
| 15 | 506 36 98-01 | INLET PIPE | 1 | | |
| 16 | 503 21 53-20 | SCREW | 1 | | |
| 17 | 506 37 05-01 | FLANGE INLET PIPE | 1 | | |
| 18 | 525 73 31-01 | INLET PIPE | 1 | | New Part |
| 19 | 503 40 06-09 | IMPULSE HOSE | 1 | | |
| 20 | 544 35 26-01 | PLATE | 1 | | |
| 21 | 503 21 53-56 | SCREW | 2 | | |
| 22 | 510 18 12-02 | CARBURETTOR | 1 | Zama C3-EL43A | |
| 23 | 506 37 68-04 | GASKET CARBURETTOR | 1 | | New Part |

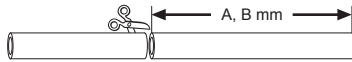
M K760



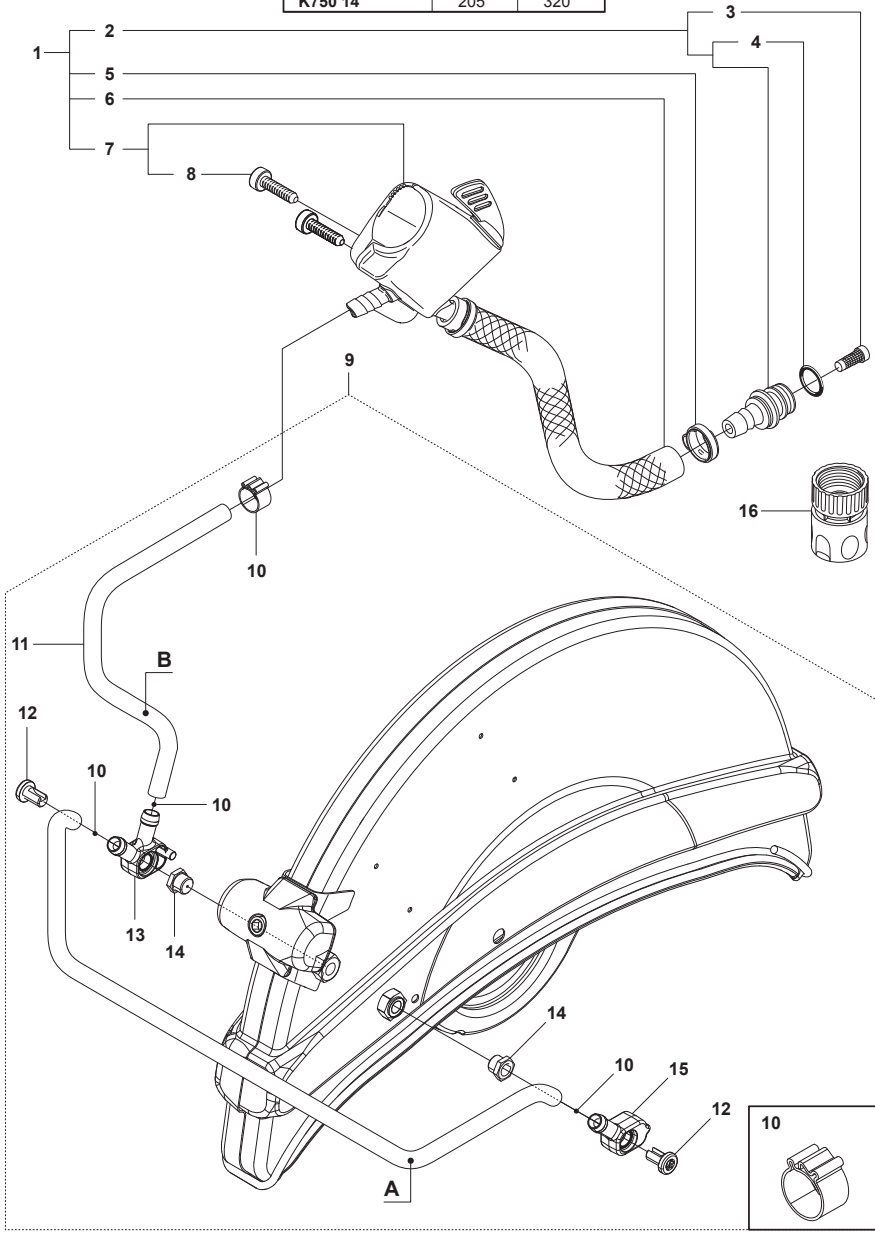
Page M
K760

| Pos. | Part No. | Description | Quantity | Notes | New Part |
|------|--------------|---------------------|----------|---|----------|
| 1 | 510 18 12-02 | CARBURETTOR | 1 | Zama C3-EL43A, Incl. 2 - 43 | |
| 2 | 503 47 96-01 | SCREW | 1 | | |
| 3 | 544 83 64-01 | PUMP COVER | 1 | | |
| 4 | 503 61 66-01 | GASKET PUMP | 1 | | |
| 5 | 506 39 60-01 | DIAPHRAGM PUMP | 1 | | |
| 6 | 506 39 65-01 | ROD | 1 | | |
| 7 | 544 08 22-01 | SCREW | 2 | | |
| 9 | 506 39 71-01 | SHAFT ASSY | 1 | | |
| 10 | 506 39 75-01 | SPRING | 1 | | |
| 11 | 506 39 54-01 | COLLAR | 2 | | |
| 12 | 506 39 64-01 | QUAD RING | 4 | | |
| 13 | 506 39 73-01 | SHAFT ASSY CHOKE | 1 | | |
| 14 | 506 39 90-01 | O-RING | 1 | | |
| 15 | 503 48 18-01 | SCREW | 1 | | |
| 16 | 506 39 78-01 | VALVE | 1 | | |
| 17 | 537 17 70-01 | VALVE | 1 | | |
| 18 | 522 60 75-01 | VALVE | 1 | Japan only | |
| 19 | 506 39 74-01 | SHAFT ASSY | 1 | | |
| 20 | 503 53 57-01 | STRAINER | 1 | | |
| 21 | 506 39 58-01 | GASKET | 1 | | |
| 22 | 503 48 11-01 | PIECE | 1 | | |
| 23 | 537 01 26-01 | SPRING | 1 | | |
| 24 | 537 01 25-01 | BALL | 1 | | |
| 25 | 544 83 65-01 | SPRING | 1 | | |
| 26 | 506 39 72-01 | SCREW | 1 | | |
| 27 | 506 39 70-01 | SCREW | 1 | | |
| 28 | 506 39 69-01 | SCREW | 1 | | |
| 29 | 537 38 51-01 | SCREW | 2 | | |
| 30 | 506 39 79-01 | WASHER | 2 | | |
| 31 | 537 38 52-01 | E-CLIP | 2 | | |
| 32 | 506 39 91-01 | PLUG | 1 | | |
| 33 | 506 39 61-01 | NOZZLE ASSY | 1 | | |
| 34 | 503 53 56-01 | PLUG WELCH | 1 | | |
| 35 | 537 17 78-01 | PLUG | 1 | | |
| 36 | 537 17 62-01 | VALVE | 1 | | |
| 37 | 575 44 13-01 | SPRING | 1 | | |
| 38 | 537 17 64-01 | LEVER | 1 | | |
| 39 | 544 08 21-01 | SCREW | 1 | | |
| 40 | 503 48 00-01 | PIN RETAINING SCREW | 1 | | |
| 41 | 506 39 62-01 | GASKET | 2 | | |
| 42 | 506 39 57-01 | DIAPHRAGM ASSY | 1 | | |
| 43 | 506 39 55-01 | COVER | 1 | | |
| 44 | 506 39 56-01 | COVER | 1 | | |
| 45 | 506 39 66-01 | SCREW | 4 | | |
| 46 | 506 40 99-01 | GASKET KIT | 1 | Incl. 4-5, 21, 41, 42 | |
| 47 | 506 41 00-03 | GASKET KIT CARB | 1 | Incl. 4-5, 12, 14, 20, 21, 34-38, 40-42 | |

N K760

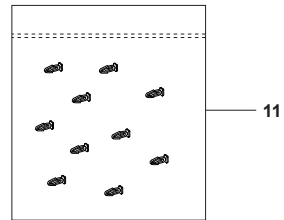
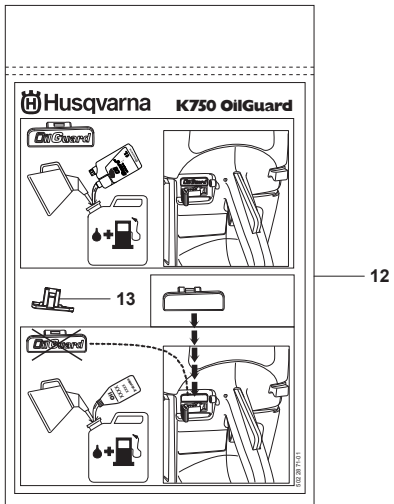
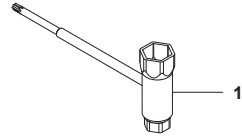
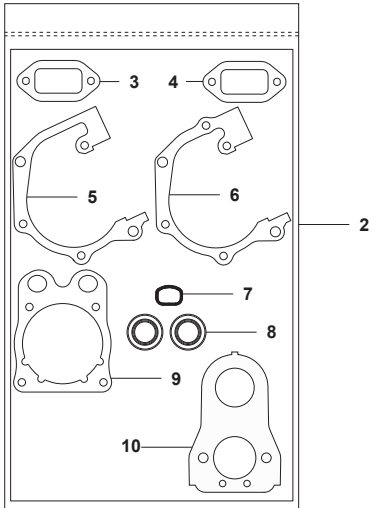


| | A (mm) | B (mm) |
|----------|--------|--------|
| K750 12" | 165 | 320 |
| K750 14" | 205 | 320 |



Page N
K760

| Pos. | Part No. | Description | Quantity | Notes | New Part |
|------|--------------|-------------|----------|----------------|----------|
| 1 | 505 09 55-01 | HOSE KIT | 1 | Incl. 2, 5 - 7 | |
| 2 | 506 29 57-02 | NIPPLE | 1 | Incl. 3, 4 | |
| 3 | 506 29 88-01 | FILTER | 1 | | |
| 4 | 505 10 35-01 | O-RING | 1 | | |
| 5 | 506 49 87-02 | HOSE CLAMP | 1 | | |
| 6 | 506 60 75-01 | HOSE | 1 | | |
| 7 | 506 38 60-12 | VALVE ASSY | 1 | Incl. 8 | |
| 8 | 503 21 54-20 | SCREW | 2 | | |
| 9 | 505 09 54-01 | HOSE KIT | 1 | Incl. 10 - 15 | |
| 10 | 506 49 87-01 | HOSE CLAMP | 4 | | |
| 11 | 506 60 68-66 | HOSE | 1 | 620 mm | |
| 12 | 504 63 46-01 | SCREW | 2 | | |
| 13 | 504 63 44-01 | HOUSING | 1 | | |
| 14 | 504 63 42-01 | NIPPLE | 2 | | |
| 15 | 504 63 45-01 | HOUSING | 1 | | |
| 16 | 503 26 60-03 | COUPLER | 1 | USA, Canada | |
| 16 | 503 26 60-04 | COUPLER | 1 | | |



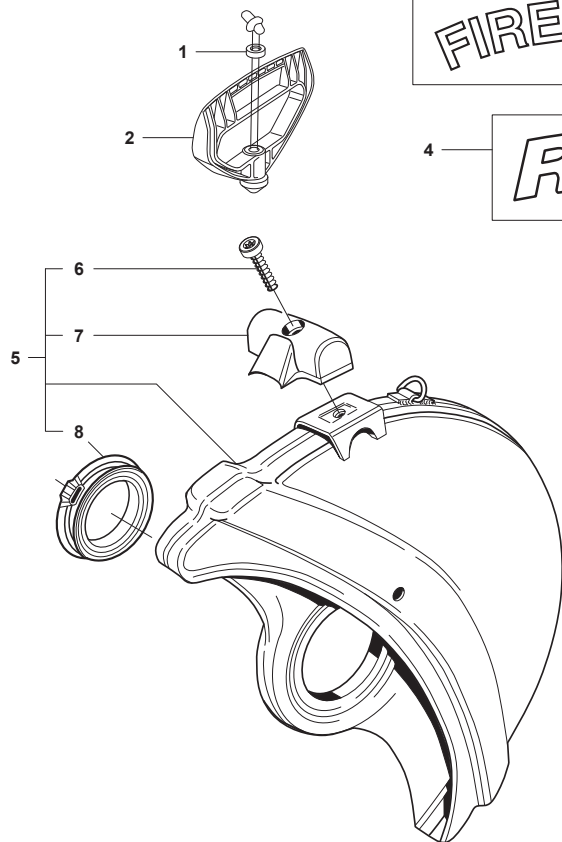
Page P
K760

| Pos. | Part No. | Description | Quantity | Notes | New Part |
|------|--------------|----------------------|----------|---------------|----------|
| 1 | 506 38 26-01 | COMBINATION TOOL | 1 | | |
| 2 | 506 38 53-05 | GASKET KIT | 1 | Incl. 3 - 10 | |
| 3 | 506 41 23-01 | GASKET | 1 | | |
| 4 | 506 37 69-02 | GASKET MUFFLER | 1 | | |
| 5 | 506 37 70-02 | GASKET CRANKCASE | 1 | | |
| 6 | 506 37 70-03 | GASKET CRANKCASE | 1 | | |
| 7 | 544 21 93-02 | INSERT | 1 | | |
| 8 | 503 26 02-04 | SEALING RING | 2 | | |
| 9 | 506 37 67-01 | CYLINDER BASE GASKET | 1 | | |
| 10 | 506 37 68-03 | GASKET CARBURETTOR | 1 | | |
| 11 | 502 23 33-01 | KIT BREAK PIN | 1 | Incl. 10 Pins | |
| 12 | 502 28 70-01 | KIT SWITCH OFF | 1 | | |
| 13 | 501 01 95-01 | SWITCH | 1 | | |

Q K760

**K12 FD
FIRE-RESCUE**

Rescue



9 Husqvarna Rescue
max 5100 rpm
Ø20mm, Ø300mm (Ø12")

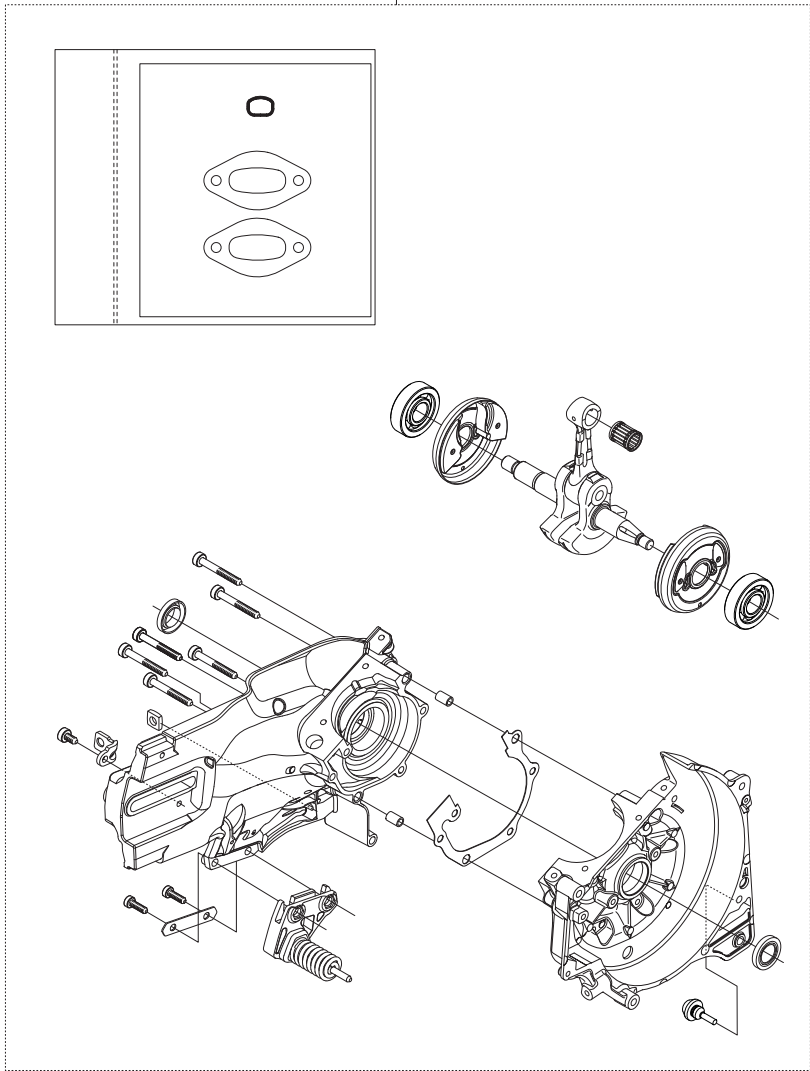
10 **ATTENTION**
This product has been modified for use by
trained fire rescue personnel only.

**Page Q
K760**

| Pos. | Part No. | Description | Quantity | Notes | New Part |
|------|--------------|------------------|----------|-------------------------|----------|
| 1 | 503 14 29-02 | WASHER | 1 | | |
| 2 | 506 29 75-02 | STARTER HANDLE | 1 | | |
| 3 | 506 32 20-02 | LABEL | 1 | | |
| 4 | 506 30 23-02 | LABEL | 2 | | |
| 5 | 506 34 05-52 | WHEEL GUARD ASSY | 1 | Rescue 12". Incl. 6 - 8 | |
| 6 | 503 21 53-20 | SCREW | 1 | | |
| 7 | 506 34 46-02 | HANDLE | 1 | | |
| 8 | 506 26 63-02 | LINING | 2 | | |
| 9 | 544 89 06-02 | LABEL | 1 | | |
| 10 | 506 32 22-02 | LABEL | 1 | | |
| 11 | 506 29 76-02 | SHOULDER STRAP | 1 | | New Part |
| 12 | 506 30 25-04 | BRACKET | 1 | Incl. 13, 14 | |
| 13 | 503 22 65-04 | NUT | 2 | | |
| 14 | 503 21 53-16 | SCREW | 2 | | |

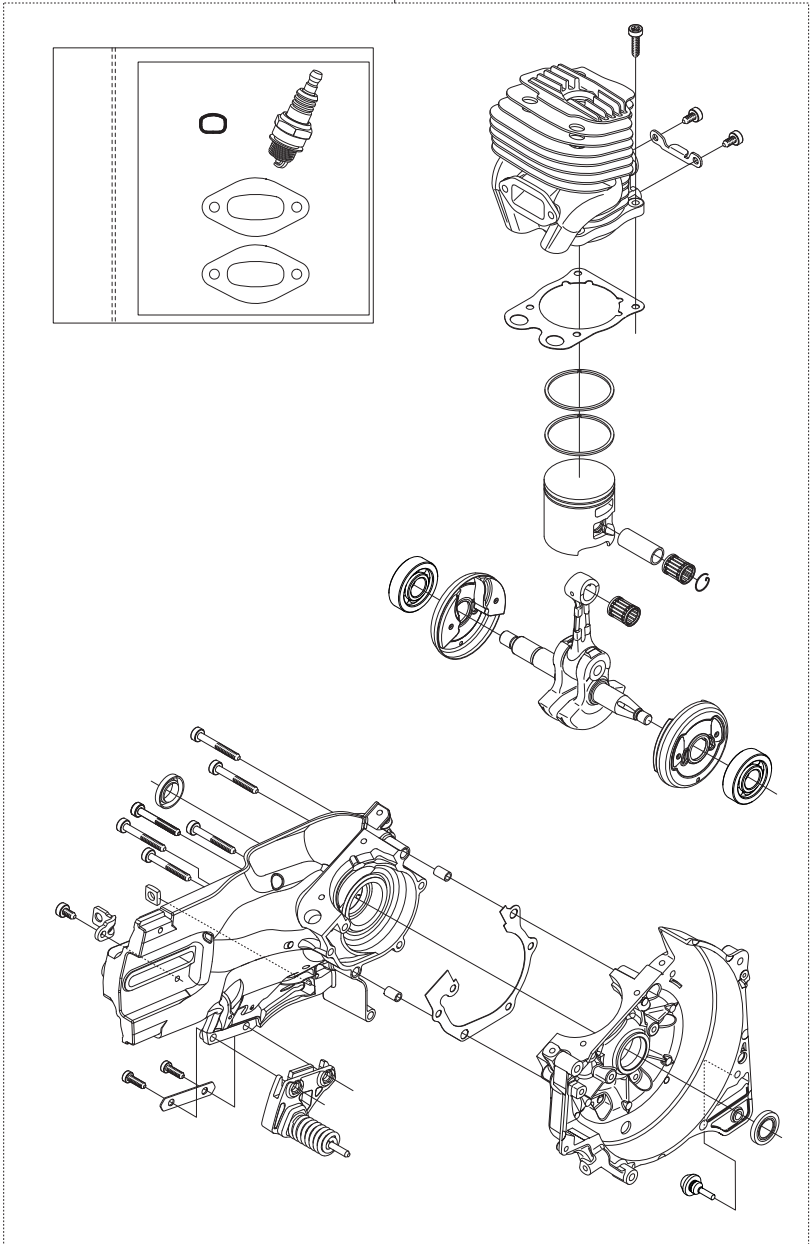
R K760

1



Page R
K760

| Pos. | Part No. | Description | Quantity | Notes | New Part |
|------|--------------|-------------|----------|-------|----------|
| 1 | 574 36 41-05 | SHORTBLOCK | 1 | | |



Page S
K760

| Pos. | Part No. | Description | Quantity | Notes | New Part |
|------|--------------|-------------|----------|-------|----------|
| 1 | 574 36 41-02 | LONGBLOCK | 1 | | |