

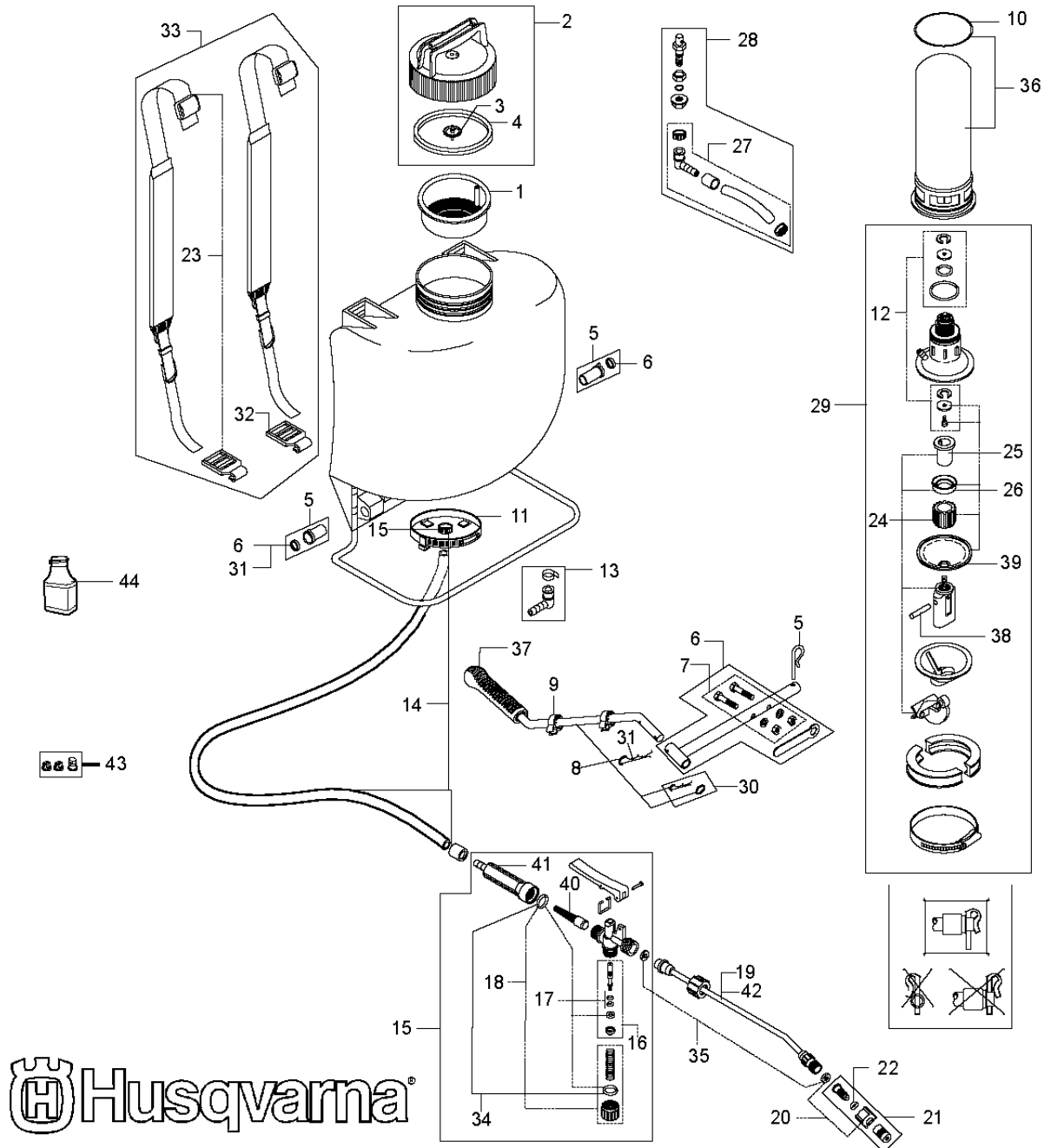


SPARE PARTS LIST

SPRAYERS

BP4E, 576769102, 2010-08

Parts list for the **HUSQVARNA** model **BP4E**



NOTE:

For best results, the sprayer should be pumped every 5 seconds on a continuous basis. This will maintain your spraying pressure.

Ref	Part No	Description	Remark	QTY KIT
1	574 14 92-01	TANK STRAINER		1
2	577 11 78-01	LID		1
3	574 14 93-01	SEAL		1
4	574 14 94-01	CHECK VALVE		1
5	574 14 95-01	NYLON BEARING		1
6	574 14 96-01	PUMP LEVER		1
7	574 15 03-01	SERVICE KIT		1
8	577 11 79-01	HANDLE		1
9	577 11 80-01	CLIP		1
10	574 15 05-01	PRESSURE TANK O-RING		1
11	574 15 06-01	RETENTION CLAMP		1
12	574 15 07-01	O-RING		1
13	574 15 16-01	90 DEGREE FITTING & CLAMP		1
14	574 15 17-01	HOSE	W/2 CLAMPS	1
15	574 15 22-01	COMP SPRAY PISTOL WBUILTNFILTE		1
16	574 15 23-01	SPINDLE SET		1
17	574 15 24-01	SPINDLE O-RING SET		1
18	574 15 25-01	PLUG		1
19	574 15 26-01	BRASS SPRAY WAND 20"		1
20	574 15 27-01	NOZZLE HOLDER		1
21	574 15 28-01	ADJ BRASS NOZZLE WITH HOLDER		1
22	574 15 41-01	SPRAY TIP O-RING SET		1
23	574 15 52-01	BELT		1
24	577 11 86-01	HOLDER		1
25	577 11 89-01	DIAPHRAGM		1
26	577 11 88-01	CUP		1
27	577 11 90-01	HOSE		1
28	577 11 91-01	HOSE		1
29	577 11 94-01	MODULE		1
30	574 15 19-01	LOCKING PIN	SMALL	1
31	574 15 20-01	LOCKING PIN	LARGE	1
32	574 15 44-01	BELT		1
33	574 15 45-01	HVY DTY PAD'D ADJ SHLDER STRAP		1
34	574 15 54-01	O-RING		1
35	574 15 55-01	WASHER SET FOR GUN & NOZZLE		1
36	574 15 58-01	SPEC SOLV REST PRESS CHAMBER		1
37	577 12 22-01	HANDLE		1
38	577 12 19-01	PIN		1
39	577 12 29-01	DIAPHRAGM		1
40	574 15 68-01	FILTER		1
41	574 15 69-01	GRIP		1
42	577 11 83-01	SPRAYER		1
43	574 15 39-01	PLASTIC SPRAY TIP SET (2-8004)	2-8004 & 1 TK5	1
44	577 12 30-01	GREASE		1