

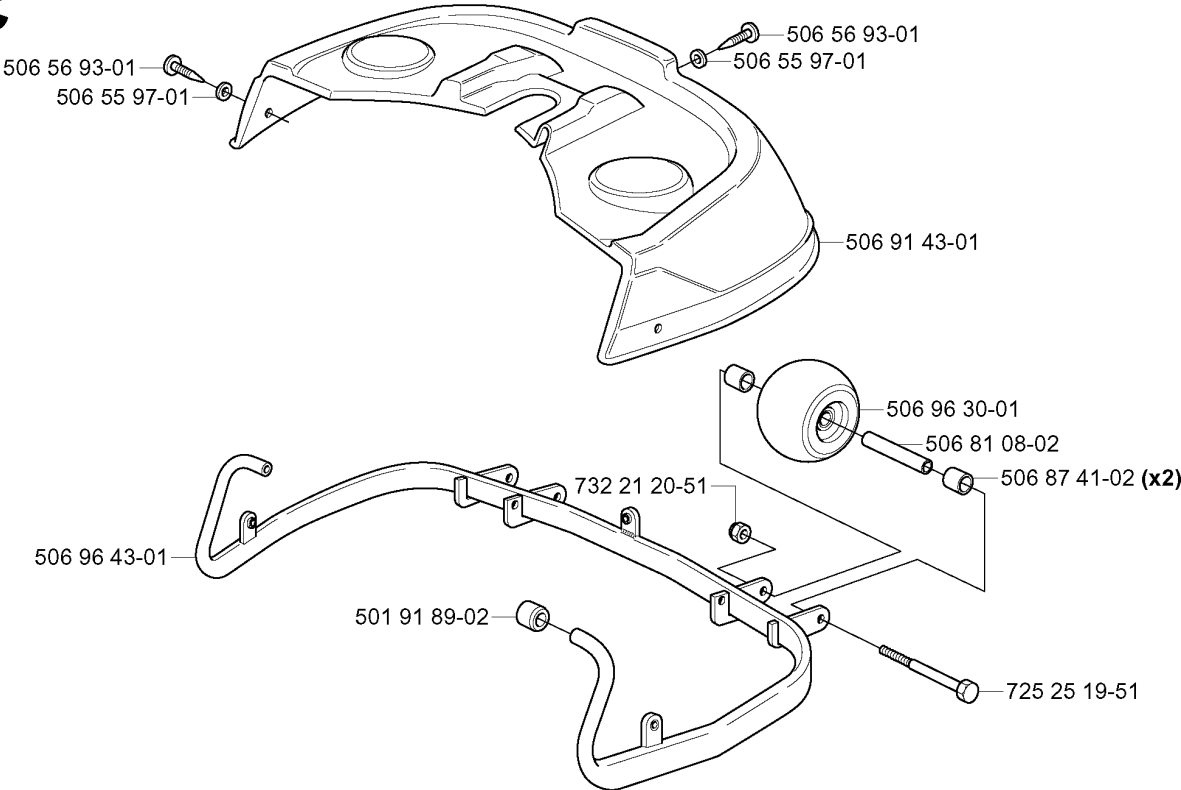


# SPARE PARTS LIST

RIDERS

RIDER 970, 1998-03

**C**



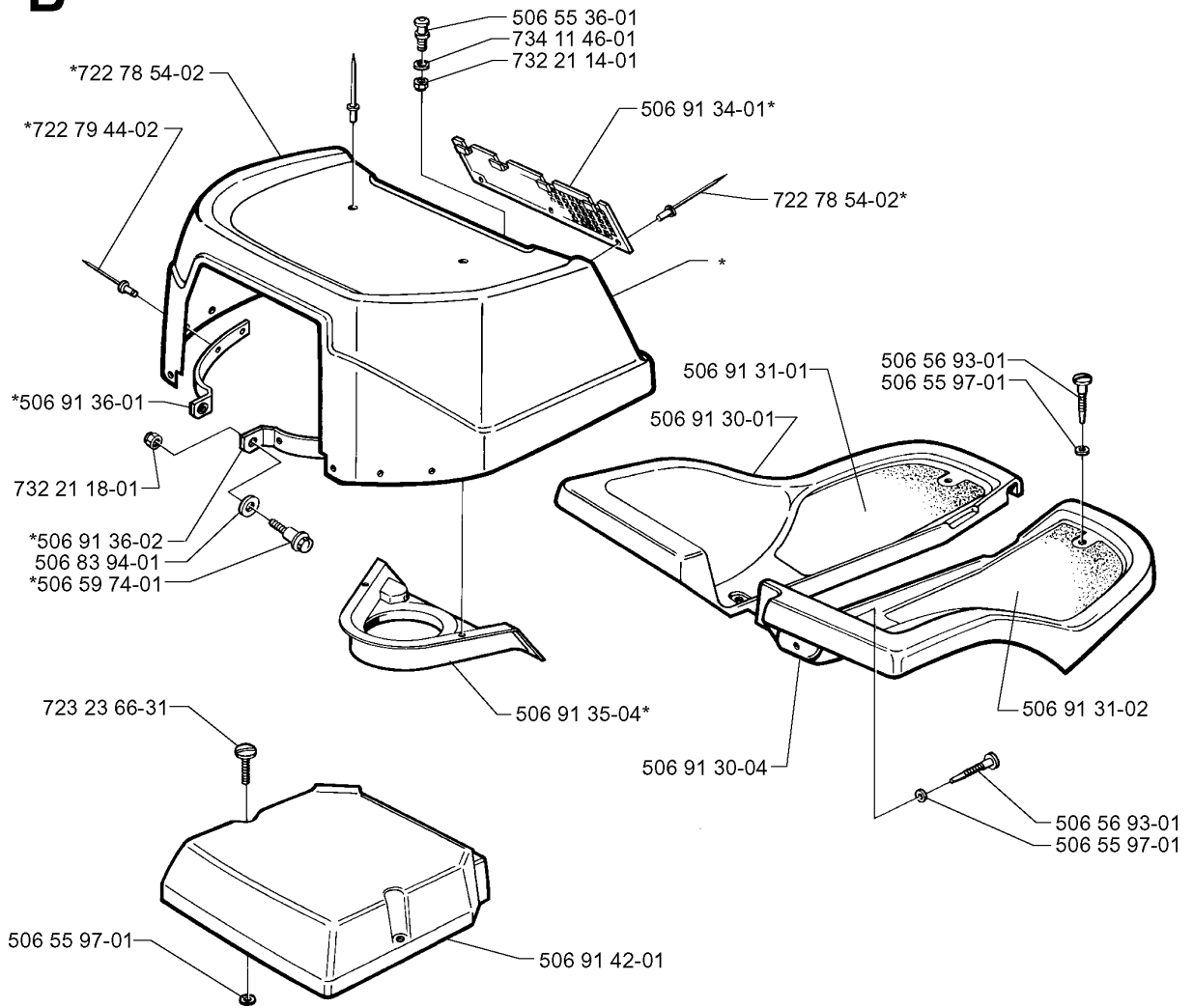
## PROTECTION FRAME

RIDER 970, 1998-03

Part No	Description	Remark	QTY KIT
506 50 99-01	SHAFT		1
506 55 62-01	SEAT		1
506 55 63-01	SCREW UNC		1
506 56 53-01	BUSHING		1
506 56 53-01	BUSHING		1
506 56 55-01	JUSTERVRED		1
506 66 88-01	SPRING COTTER		1
506 91 51-01	SEAT BRACKET ASSY		1
506 91 53-01	COMPRESSION SPRING		1
725 24 91-61	SCREW EHHFT		1
734 11 74-41	WASHER		1
735 31 12-00	CIRCLIP		1

**B**

\*compl 506 91 32-04

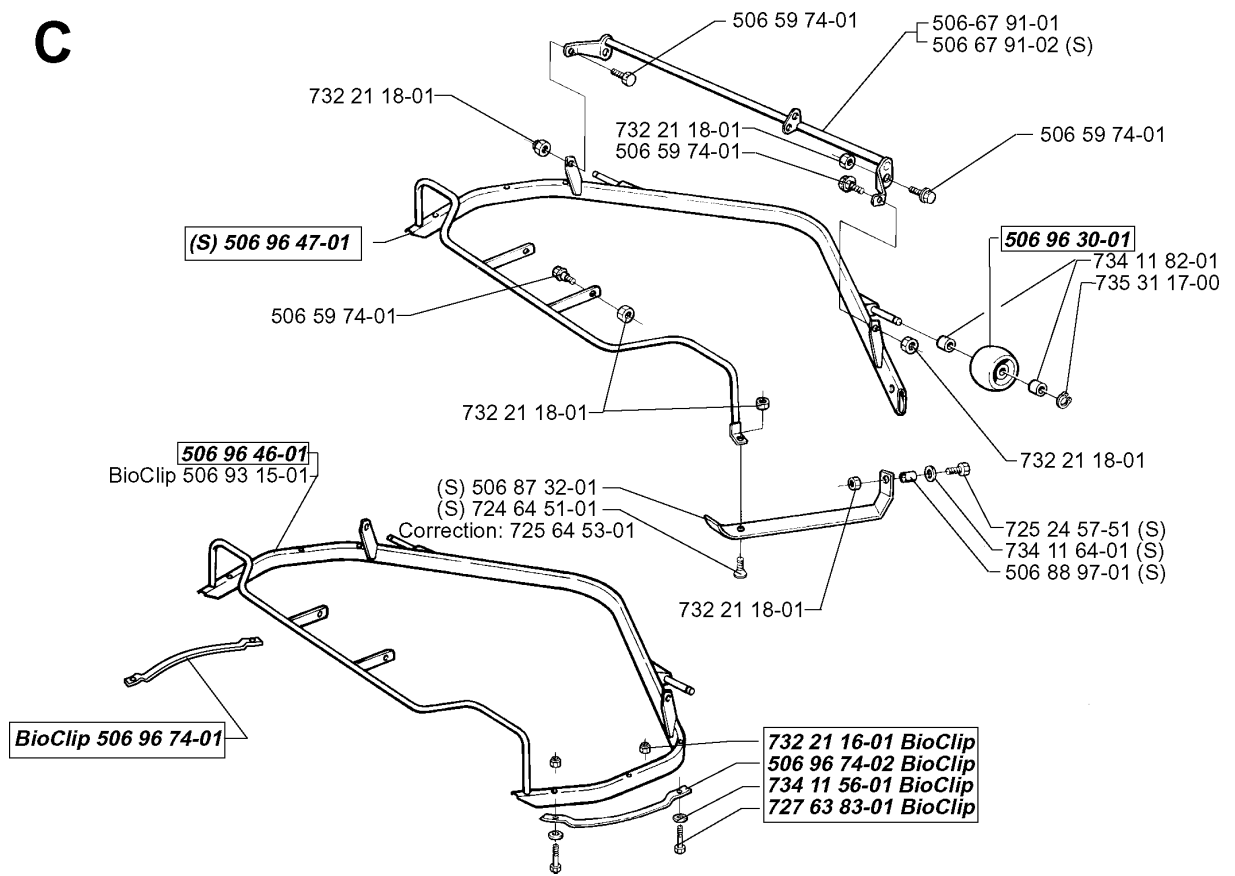


## HOOD

RIDER 970, 1998-03

Part No	Description	Remark	QTY KIT
506 55 36-01	KNOB		1
506 55 97-01	WASHER		1
506 55 97-01	WASHER		1
506 55 97-01	WASHER		1
506 56 93-01	SCREW		1
506 56 93-01	SCREW		1
506 59 74-01	SCREW EHHFM		1
506 83 94-01	SPRING WASHER		1
506 91 30-01	FLYGEL V		1
506 91 30-04	FLYGEL H		1
506 91 31-01	FOTMATTA V		1
506 91 31-02	FOTMATTA H		1
506 91 32-04	ENGINE HOOD ASSY		1
506 91 34-01	AIR GRIND		1
506 91 35-04	AIR CONDUCTOR		1
506 91 36-01	BRACKET		1
506 91 36-02	BRACKET		1
506 91 42-01	COVER		1
722 78 54-02	RIVET		1
722 78 54-02	RIVET		1
722 79 44-02	RIVET		1
723 23 66-31	SCREW SLPANM		1
732 21 14-01	LOCK NUT		1
732 21 18-01	LOCK NUT		1
734 11 46-01	WASHER		1

**C**

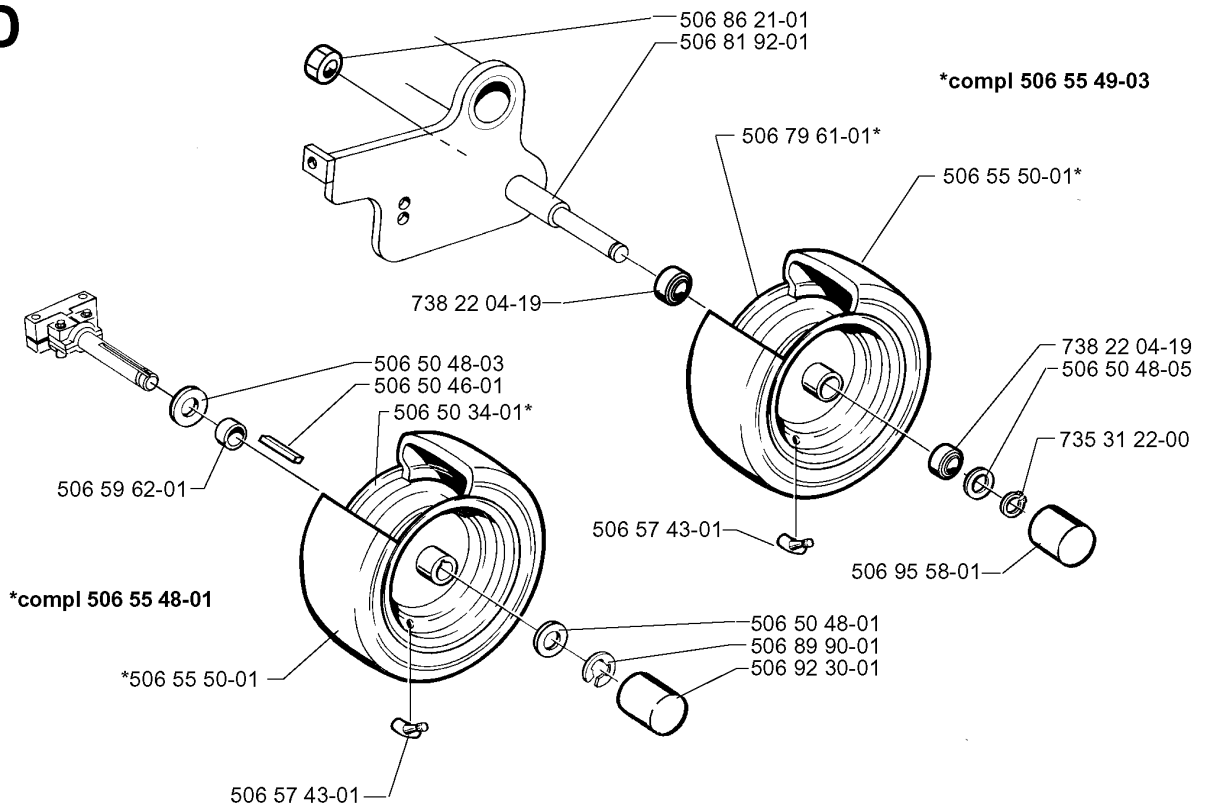


## COVER

RIDER 970, 1998-03

Part No	Description	Remark	QTY KIT
506 59 74-01	SCREW EHHFM		1
506 59 74-01	SCREW EHHFM		1
506 59 74-01	SCREW EHHFM		1
506 59 74-01	SCREW EHHFM		1
506 67 91-01	LIFTING YOKE		1
506 67 91-02	LIFTING YOKE	S	1
506 87 32-01	BAR	S	1
506 88 97-01	SPACING SLEEVE	S	1
506 93 15-01	PROTECTIVE TUBING	BIOCLIP	1
506 96 30-01	WHEEL ASSY		1
506 96 46-01	RÖRRAM KPL.BAKUTKAST		1
506 96 47-01	RÖRRAM KPL.SIDUTKAST	S	1
506 96 74-01	SIDOSKENA KPL. VÄ.	BIOCLIP	1
506 96 74-02	SIDOSKENA KPL. HÖ.	BIOCLIP	1
724 64 51-01	SCREW	S	1
725 24 57-51	SCREW	S	1
725 64 53-01	SCREW IHCSFM	CORRECTION:	1
727 63 83-01	SCREW RSQM	BIOCLIP	1
732 21 16-01	LOCK NUT	BIOCLIP	1
732 21 18-01	LOCK NUT		1
732 21 18-01	LOCK NUT		1
732 21 18-01	LOCK NUT		1
732 21 18-01	LOCK NUT		1
732 21 18-01	LOCK NUT		1
734 11 56-01	WASHER	BIOCLIP	1
734 11 64-01	WASHER	S	1
734 11 82-01	WASHER		1
735 31 17-00	CIRCLIP		1

**D**



**xxx xx xx-xx** = New part,  
Neues teil,  
Nouvelle piece,  
Nueva pieza,  
Ny detalj

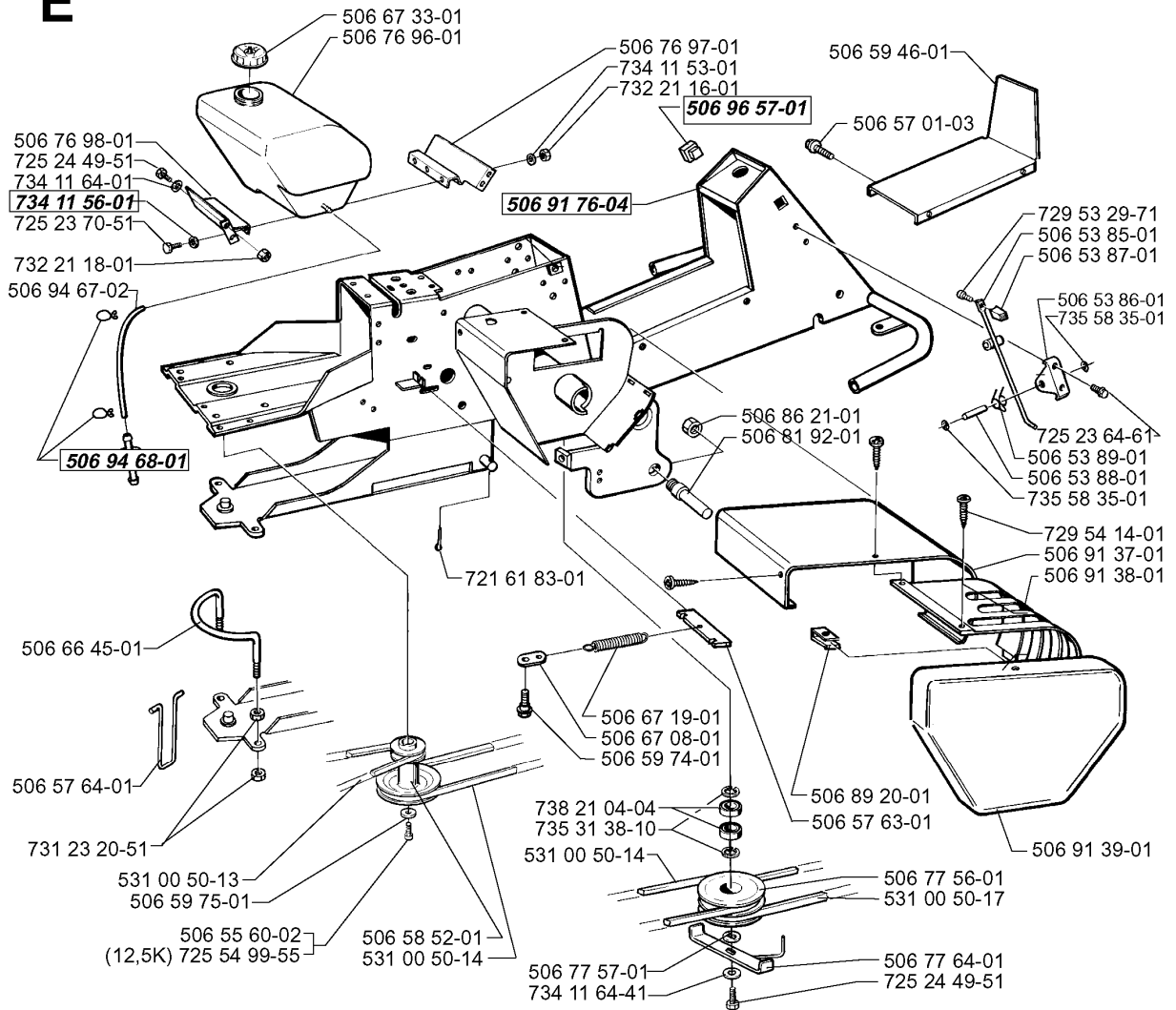


## WHEELS &amp; TIRES

RIDER 970, 1998-03

Part No	Description	Remark	QTY KIT
506 50 34-01	RIM		1
506 50 46-01	WEDGE		1
506 50 48-01	WASHER		1
506 50 48-03	WASHER		1
506 50 48-05	WASHER		1
506 55 48-01	REAR WHEEL		1
506 55 49-03	WHEEL		1
506 55 50-01	TIRE		1
506 55 50-01	TIRE		1
506 57 43-01	VALVE ASSY		1
506 57 43-01	VALVE ASSY		1
506 59 62-01	SPACING SLEEVE		1
506 79 61-01	RIM		1
506 81 92-01	WHEEL AXLE		1
506 86 21-01	NUT		1
506 89 90-01	E-CLIP		1
506 92 30-01	RUND FOT UKB 30 S		1
506 95 58-01	CUP		1
735 31 22-00	CIRCLIP		1
738 22 04-19	BALL BEARING		1
738 22 04-19	BALL BEARING		1

E

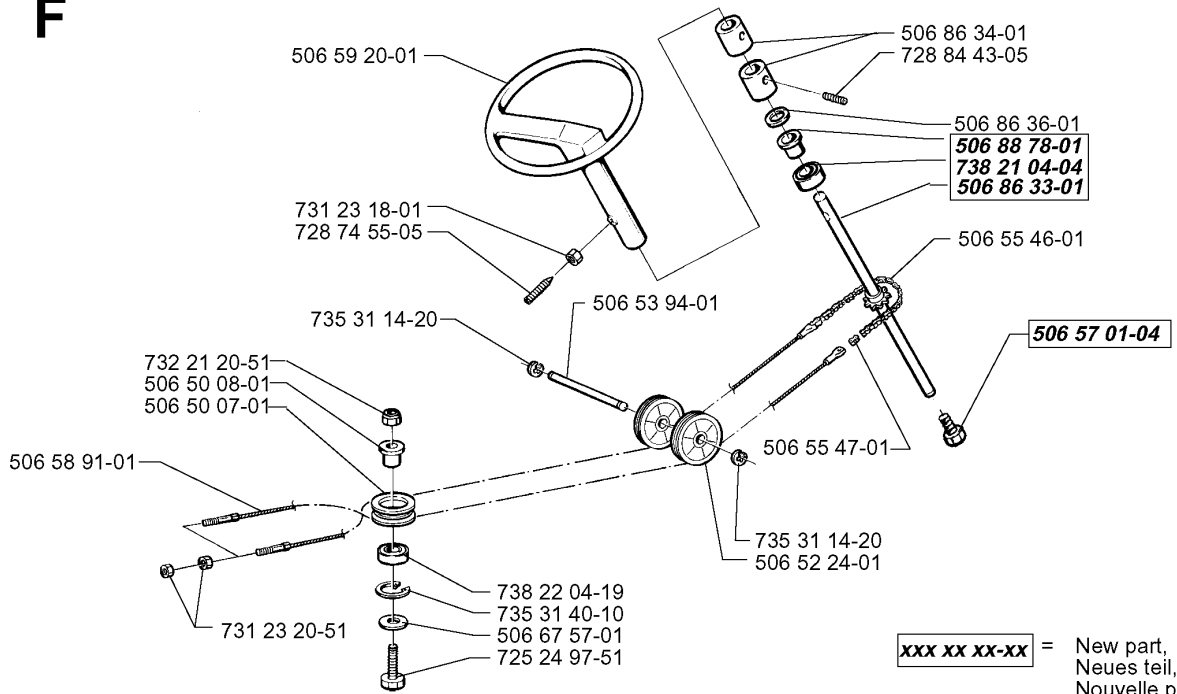


## CHASSIS / FRAME

RIDER 970, 1998-03

Part No	Description	Remark	QTY KIT
506 53 85-01	LOCKING ARM		1
506 53 86-01	BRACKET		1
506 53 87-01	CONTROL BUTTON		1
506 53 88-01	SHAFT		1
506 53 89-01	SPRING		1
506 55 60-02	SCREW UNC		1
506 57 01-03	SCREW EHHFM		1
506 57 63-01	SPRING RETAINER		1
506 57 64-01	CABLE HOLDER		1
506 58 52-01	PULLEY		1
506 59 46-01	LOCK GOLVTUNNEL		1
506 59 74-01	SCREW EHHFM		1
506 59 75-01	WASHER		1
506 66 45-01	BELT GUIDE		1
506 67 08-01	LINK		1
506 67 19-01	SPRING		1
506 67 33-01	TANK CAP ASSY		1
506 76 96-01	FUEL TANK		1
506 76 97-01	BRACKET		1
506 76 98-01	BRACKET		1
506 77 56-01	MELLANHJUL		1
506 77 57-01	WASHER		1
506 77 64-01	CONSOLE		1
506 81 92-01	WHEEL AXLE		1
506 86 21-01	NUT		1
506 89 20-01	SPEED NUT		1
506 91 37-01	COVER PLATE		1
506 91 38-01	CONTROL PLATE		1
506 91 39-01	CONTROL CAP		1
506 91 76-04	FRAME		1
506 94 67-02	FUEL HOSE		1
506 94 68-01	TRÅDKLÄMMA		1
506 96 57-01	PLUG		1
531 00 50-13	BELT		1
531 00 50-14	BELT		1
531 00 50-14	BELT		1
531 00 50-17	BELT		1
721 61 83-01	SPLIT PIN		1
725 23 64-61	SCREW EHHFT		1
725 23 70-51	SCREW		1
725 24 49-51	SCREW		1
725 24 49-51	SCREW		1
725 54 99-55	SCREW IHSCM	12,5K	1
729 53 29-71	SCREW CRPANT		1
729 54 14-01	SCREW CRPANT		1
731 23 20-51	HEXAGON NUT		1
732 21 16-01	LOCK NUT		1
732 21 18-01	LOCK NUT		1
734 11 53-01	WASHER		1
734 11 56-01	WASHER		1
734 11 64-01	WASHER		1
734 11 64-41	WASHER		1
735 31 38-10	CIRCLIP		1
735 58 35-01	WASHER		1
735 58 35-01	WASHER		1
738 21 04-04	BALL BEARING		1

**F**

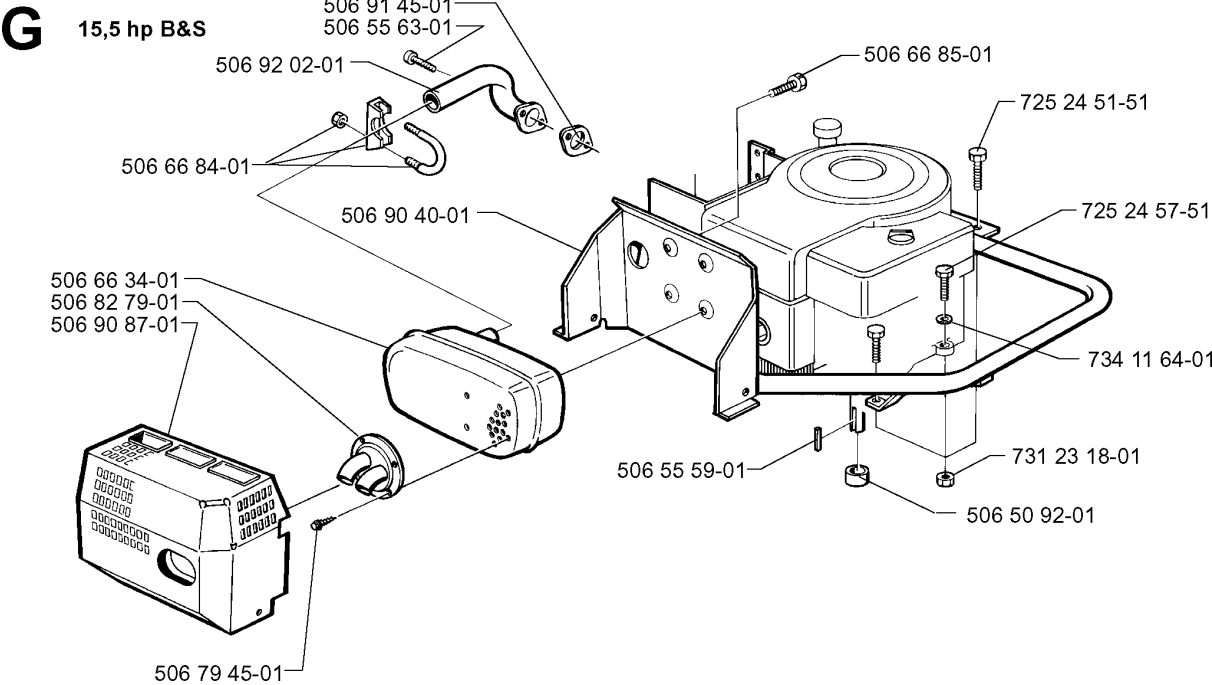


**xxx xx xx-xx** = New part,  
Neues teil,  
Nouvelle piece,  
Nueva pieza,  
Ny detalj

## STEERING

RIDER 970, 1998-03

Part No	Description	Remark	QTY KIT
506 50 07-01	BARRING WHEEL		1
506 50 08-01	BUSHING		1
506 52 24-01	STARTER PULLEY		1
506 53 94-01	SHAFT		1
506 55 46-01	CHAIN		1
506 55 47-01	LINKAGE		1
506 57 01-04	SCREW EHHFM		1
506 58 91-01	WIRE ASSY		1
506 59 20-01	STEERING WHEEL		1
506 67 57-01	WASHER		1
506 86 33-01	ROD STEERING ASSY		1
506 86 34-01	DRIVER		1
506 86 36-01	WASHER		1
506 88 78-01	SPACER		1
725 24 97-51	SCREW		1
728 74 55-05	SCREW IHSETM		1
728 84 43-05	SCREW IHSETM		1
731 23 18-01	HEXAGON NUT		1
731 23 20-51	HEXAGON NUT		1
732 21 20-51	NUT		1
735 31 14-20	E-CLIP		1
735 31 14-20	E-CLIP		1
735 31 40-10	CIRCLIP		1
738 21 04-04	BALL BEARING		1
738 22 04-19	BALL BEARING		1

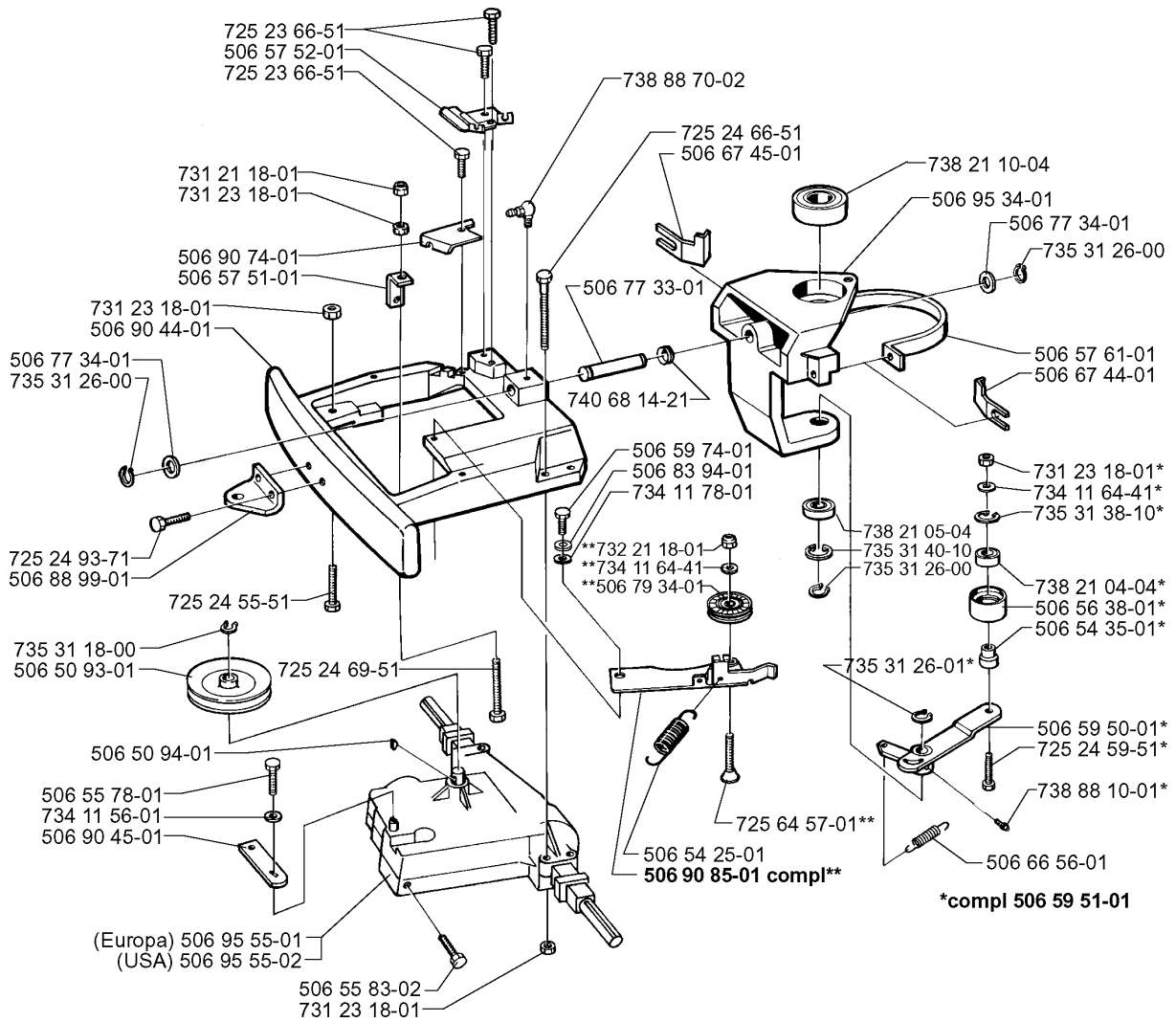


## ENGINE

RIDER 970, 1998-03

Part No	Description	Remark	QTY KIT
506 50 92-01	SPACING SLEEVE		1
506 55 59-01	WEDGE		1
506 55 63-01	SCREW UNC		1
506 66 34-01	MUFFLER		1
506 66 84-01	CLAMP ASSY		1
506 79 45-01	SCREW		1
506 82 79-01	DEFLECTOR		1
506 90 40-01	RÖRBYGEL KPL		1
506 90 87-01	HEAT PROTECTOR		1
506 91 45-01	GASKET		1
506 92 02-01	EXHAUST PIPE ASSY		1
725 24 51-51	SCREW		1
725 24 57-51	SCREW		1
731 23 18-01	HEXAGON NUT		1
734 11 64-01	WASHER		1

# H

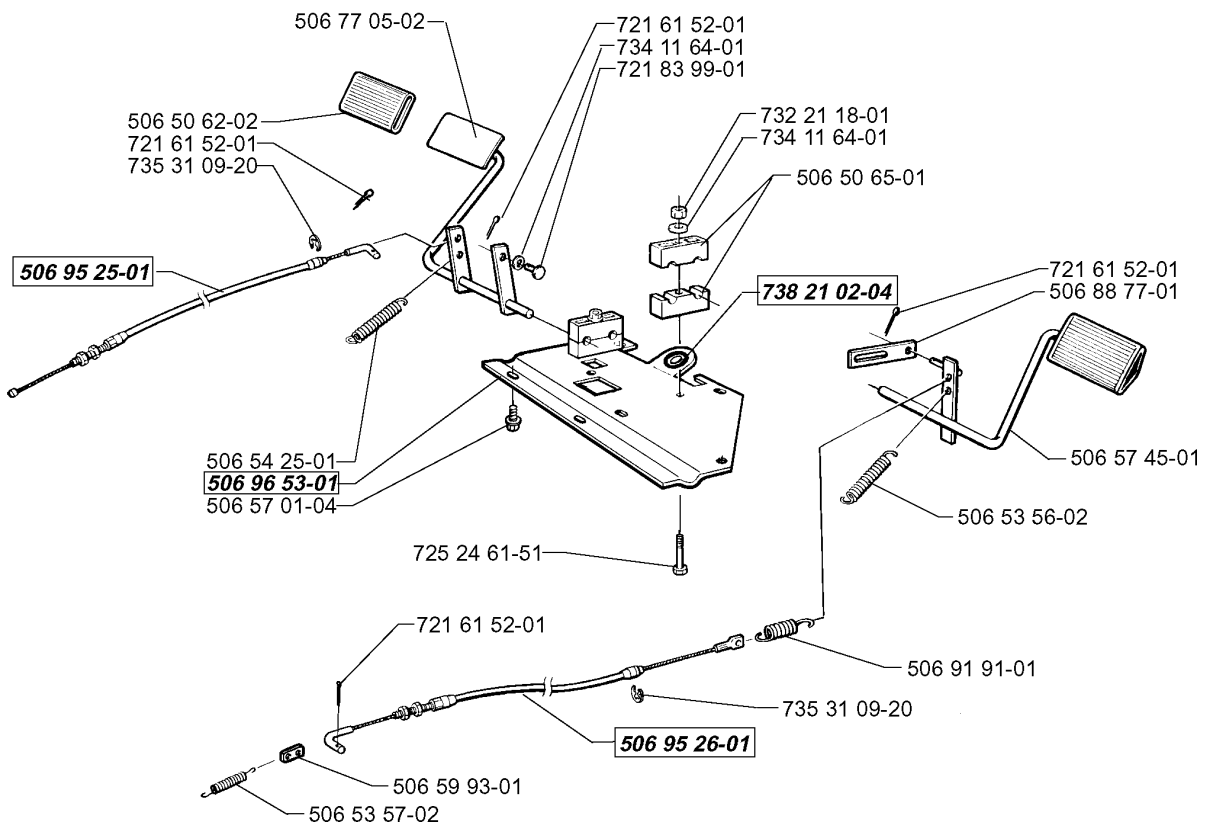




## TINE ASSEMBLY

RIDER 970, 1998-03

Part No	Description	Remark	QTY KIT
506 50 93-01	PULLEY		1
506 50 94-01	WOODRUFF KEY		1
506 54 25-01	SPRING		1
506 54 35-01	BUSHING		1
506 55 78-01	U6S-UNF1/4"X28 L=16		1
506 55 83-02	SCREW EHHFT		1
506 56 38-01	TENSION ROLLER		1
506 57 51-01	BRACKET		1
506 57 52-01	WIRE HOLDER		1
506 57 61-01	STYRKANS		1
506 59 50-01	LEVER		1
506 59 51-01	REMSP. KNIVDRIVNING		1
506 59 74-01	SCREW EHHFM		1
506 66 56-01	SPRING		1
506 67 44-01	BELT GUIDE		1
506 67 45-01	BELT GUIDE		1
506 77 33-01	SWING AXLE		1
506 77 34-01	WASHER		1
506 77 34-01	WASHER		1
506 79 34-01	BELT TENS WHEEL ASSY		1
506 83 94-01	SPRING WASHER		1
506 88 99-01	HITCH		1
506 90 44-01	CONSOLE		1
506 90 45-01	VÄXELARM		1
506 90 74-01	WIRE HOLDER		1
506 90 85-01	BELT TENSIONER ASSY		1
506 95 34-01	STYRSPINDEL K55		1
506 95 55-01	GEAR CASE MST 205	EUROPA	1
506 95 55-02	GEARBOX	USA	1
725 23 66-51	HEXAGONAL SCREW M6X12		1
725 23 66-51	HEXAGONAL SCREW M6X12		1
725 24 55-51	SCREW		1
725 24 59-51	SCREW EHHM		1
725 24 66-51	SCREW		1
725 24 69-51	SCREW EHHM		1
725 24 93-71	SCREW EHHM		1
725 64 57-01	SCREW IHCSFM		1
731 21 18-01	NUT		1
731 23 18-01	HEXAGON NUT		1
731 23 18-01	HEXAGON NUT		1
731 23 18-01	HEXAGON NUT		1
731 23 18-01	HEXAGON NUT		1
732 21 18-01	LOCK NUT		1
734 11 56-01	WASHER		1
734 11 64-41	WASHER		1
734 11 64-41	WASHER		1
734 11 78-01	WASHER		1
735 31 18-00	CIRCLIP		1
735 31 26-00	CIRCLIP		1
735 31 26-00	CIRCLIP		1
735 31 26-00	CIRCLIP		1
735 31 26-01	CIRCLIP		1
735 31 38-10	CIRCLIP		1
735 31 40-10	CIRCLIP		1
738 21 04-04	BALL BEARING		1
738 21 05-04	BALL BEARING		1
738 21 10-04	BALL BEARING		1
738 88 10-01	LUBRICATION NIPPLE		1
738 88 70-02	LUBRICATION NIPPLE		1
740 68 14-21	V-RING		1

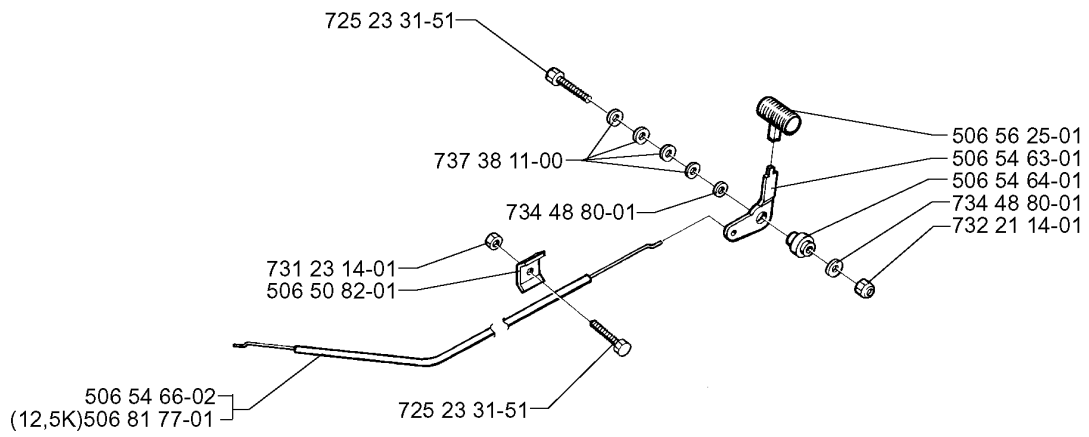
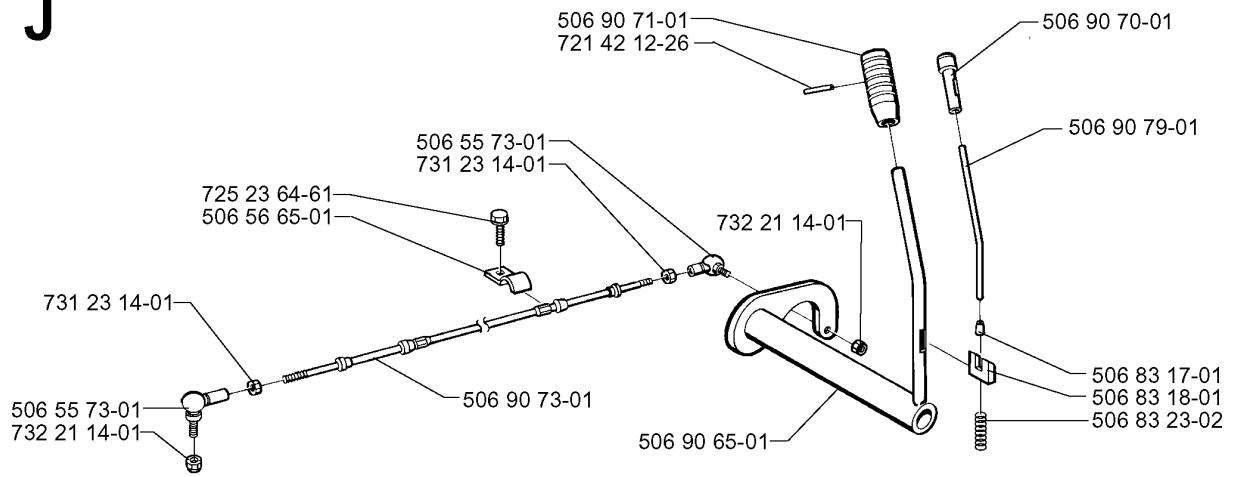


## PEDALS

RIDER 970, 1998-03

Part No	Description	Remark	QTY KIT
506 50 62-02	PEDAL RUBBER		1
506 50 65-01	BEARING SUPPORT		1
506 53 56-02	SPRING		1
506 53 57-02	SPRING		1
506 54 25-01	SPRING		1
506 57 01-04	SCREW EHHFM		1
506 57 45-01	BRAKE PEDAL ASSY		1
506 59 93-01	LINK		1
506 77 05-02	CLUTCH PEDAL ASSY		1
506 88 77-01	LINK		1
506 91 91-01	BRAKE SPRING		1
506 95 25-01	WIRE ASSY		1
506 95 26-01	CABLE		1
506 96 53-01	PEDAL PLATE		1
721 61 52-01	SPLIT PIN		1
721 61 52-01	SPLIT PIN		1
721 61 52-01	SPLIT PIN		1
721 61 52-01	SPLIT PIN		1
721 83 99-01	CLEVIS PIN		1
725 24 61-51	SCREW EHHM		1
732 21 18-01	LOCK NUT		1
734 11 64-01	WASHER		1
734 11 64-01	WASHER		1
735 31 09-20	E-CLIP		1
735 31 09-20	E-CLIP		1
738 21 02-04	BALL BEARING		1

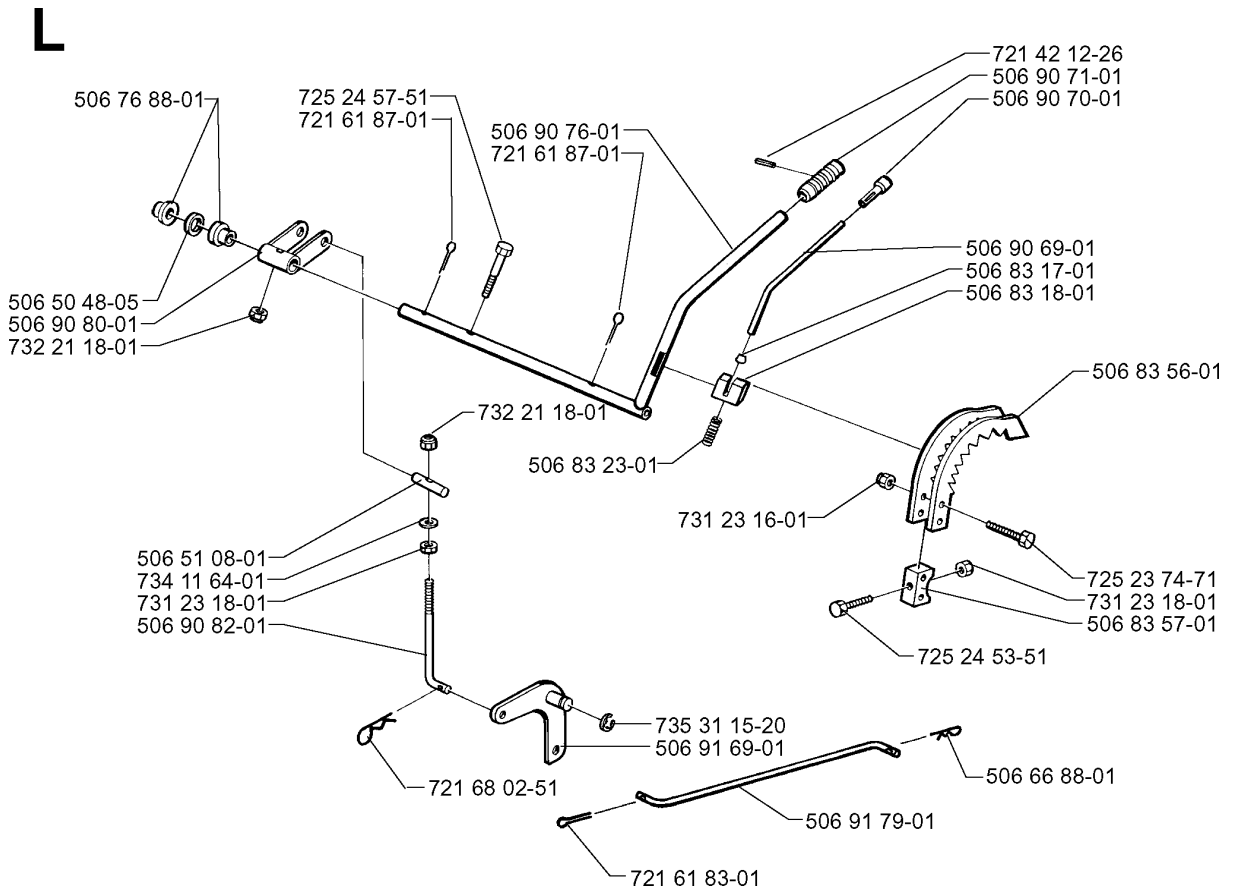
J



## CONTROLS

RIDER 970, 1998-03

Part No	Description	Remark	QTY KIT
506 50 82-01	CLIP		1
506 54 63-01	LEVER THROTTLE CONTR		1
506 54 64-01	BUSHING		1
506 54 66-02	THROTTLE CABLE ASSY		1
506 55 73-01	VINKELL.AS8 DIN71802		1
506 55 73-01	VINKELL.AS8 DIN71802		1
506 56 25-01	HANDLE		1
506 56 65-01	CLIP		1
506 81 77-01	THROTTLE WIRE ASSY	12,5K	1
506 83 17-01	END FITTING		1
506 83 18-01	LOCK		1
506 83 23-02	COMPRESSION SPRING		1
506 90 65-01	GEAR LEVER ASSY		1
506 90 70-01	KNOB		1
506 90 71-01	HANDLE		1
506 90 73-01	VÄXELVÄLJARKABEL		1
506 90 79-01	PUSH ROD		1
721 42 12-26	SPRING PIN		1
725 23 31-51	SCREW		1
725 23 31-51	SCREW		1
725 23 64-61	SCREW EHHFT		1
731 23 14-01	HEXAGON NUT		1
731 23 14-01	HEXAGON NUT		1
731 23 14-01	HEXAGON NUT		1
732 21 14-01	LOCK NUT		1
732 21 14-01	LOCK NUT		1
732 21 14-01	LOCK NUT		1
734 48 80-01	WASHER		1
734 48 80-01	WASHER		1
737 38 11-00	DISC SPRING		1

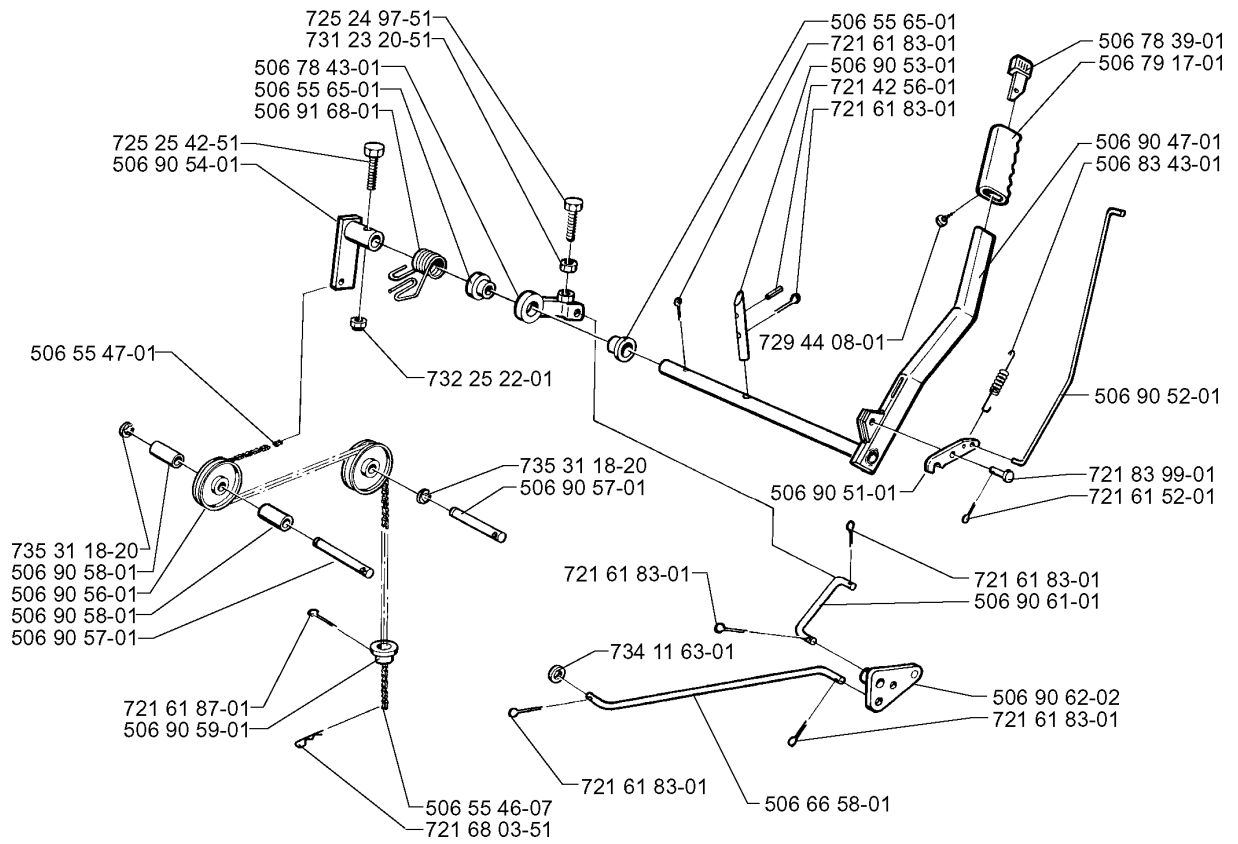


## CONTROLS

RIDER 970, 1998-03

Part No	Description	Remark	QTY KIT
506 55 46-07	CHAIN		1
506 55 47-01	LINKAGE		1
506 55 65-01	BEARING		1
506 55 65-01	BEARING		1
506 66 58-01	CLUTCH ROD REAR		1
506 78 39-01	BUTTON		1
506 78 43-01	LINK ASSY		1
506 79 17-01	HANDLE		1
506 83 43-01	SPRING		1
506 90 47-01	LIFT LEVER CMPL		1
506 90 51-01	CATCH		1
506 90 52-01	PUSH ROD		1
506 90 53-01	PEN		1
506 90 54-01	LIFTING ARM		1
506 90 56-01	OFFSET PULLEY		1
506 90 57-01	SHAFT		1
506 90 57-01	SHAFT		1
506 90 58-01	TUBE SLEEVE		1
506 90 58-01	TUBE SLEEVE		1
506 90 59-01	CHAIN STOP		1
506 90 61-01	CONNECTION ROD		1
506 90 62-02	LINK ASSY		1
506 91 68-01	SPRING		1
721 42 56-01	SPRING PIN		1
721 61 52-01	SPLIT PIN		1
721 61 83-01	SPLIT PIN		1
721 61 83-01	SPLIT PIN		1
721 61 83-01	SPLIT PIN		1
721 61 83-01	SPLIT PIN		1
721 61 83-01	SPLIT PIN		1
721 61 83-01	SPLIT PIN		1
721 61 87-01	SPLIT PIN		1
721 68 03-51	SPRING COTTER		1
721 83 99-01	CLEVIS PIN		1
725 24 97-51	SCREW		1
725 25 42-51	SCREW EHHM		1
729 44 08-01	SCREW SLCSRT		1
731 23 20-51	HEXAGON NUT		1
732 25 22-01	HEXAGON LOCKING NUT		1
734 11 63-01	WASHER		1
735 31 18-20	E-CLIP		1
735 31 18-20	E-CLIP		1

# K



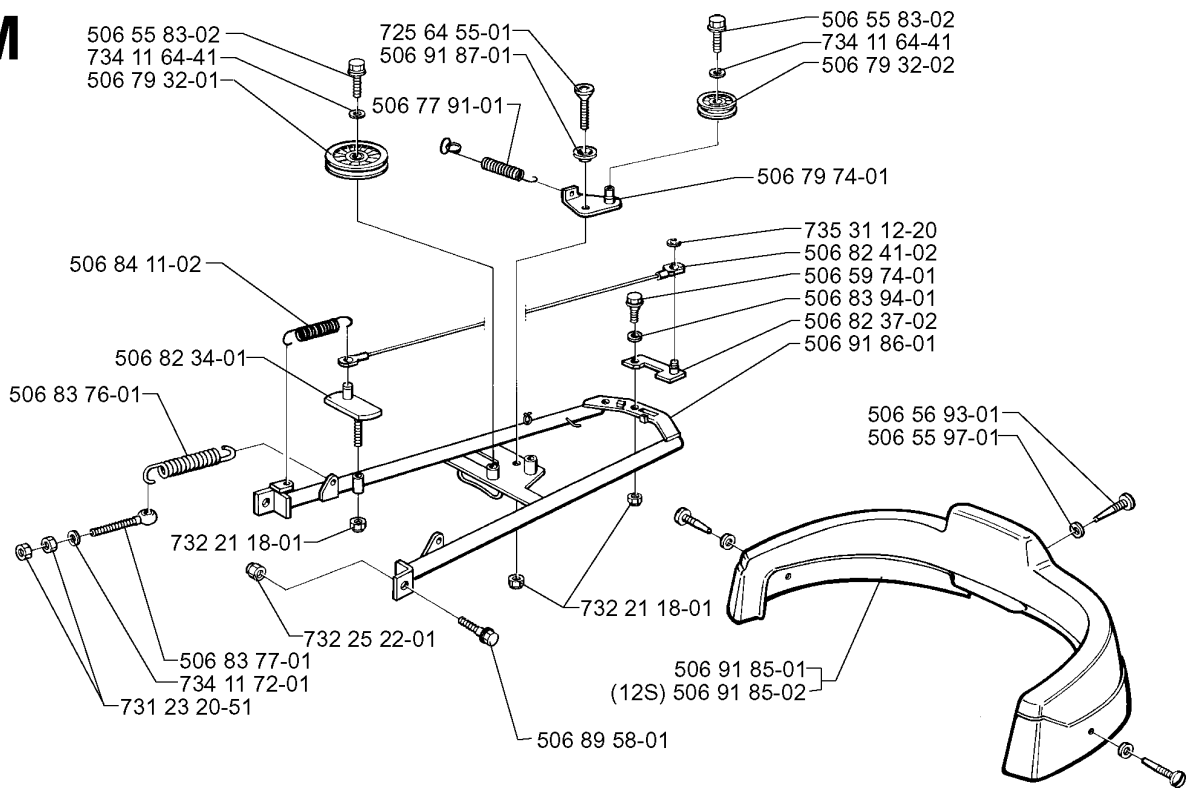


## CONTROLS

RIDER 970, 1998-03

Part No	Description	Remark	QTY KIT
506 50 48-05	WASHER		1
506 51 08-01	NIPPLE		1
506 66 88-01	SPRING COTTER		1
506 76 88-01	BUSHING		1
506 83 17-01	END FITTING		1
506 83 18-01	LOCK		1
506 83 23-01	SPRING		1
506 83 56-01	HÖJDSEGMENT		1
506 83 57-01	BRACKET		1
506 90 69-01	PUSH ROD		1
506 90 70-01	KNOB		1
506 90 71-01	HANDLE		1
506 90 76-01	LIFTING LEVER ASSY		1
506 90 80-01	LEVER		1
506 90 82-01	HEIGHT ROD		1
506 91 69-01	LINK ASSY		1
506 91 79-01	HEIGHT ROD FRONT		1
721 42 12-26	SPRING PIN		1
721 61 83-01	SPLIT PIN		1
721 61 87-01	SPLIT PIN		1
721 61 87-01	SPLIT PIN		1
721 68 02-51	SPRING COTTER		1
725 23 74-71	SCREW EHHM		1
725 24 53-51	SCREW EHHM		1
725 24 57-51	SCREW		1
731 23 16-01	HEXAGON NUT		1
731 23 18-01	HEXAGON NUT		1
731 23 18-01	HEXAGON NUT		1
732 21 18-01	LOCK NUT		1
732 21 18-01	LOCK NUT		1
734 11 64-01	WASHER		1
735 31 15-20	E-CLIP		1

**M**



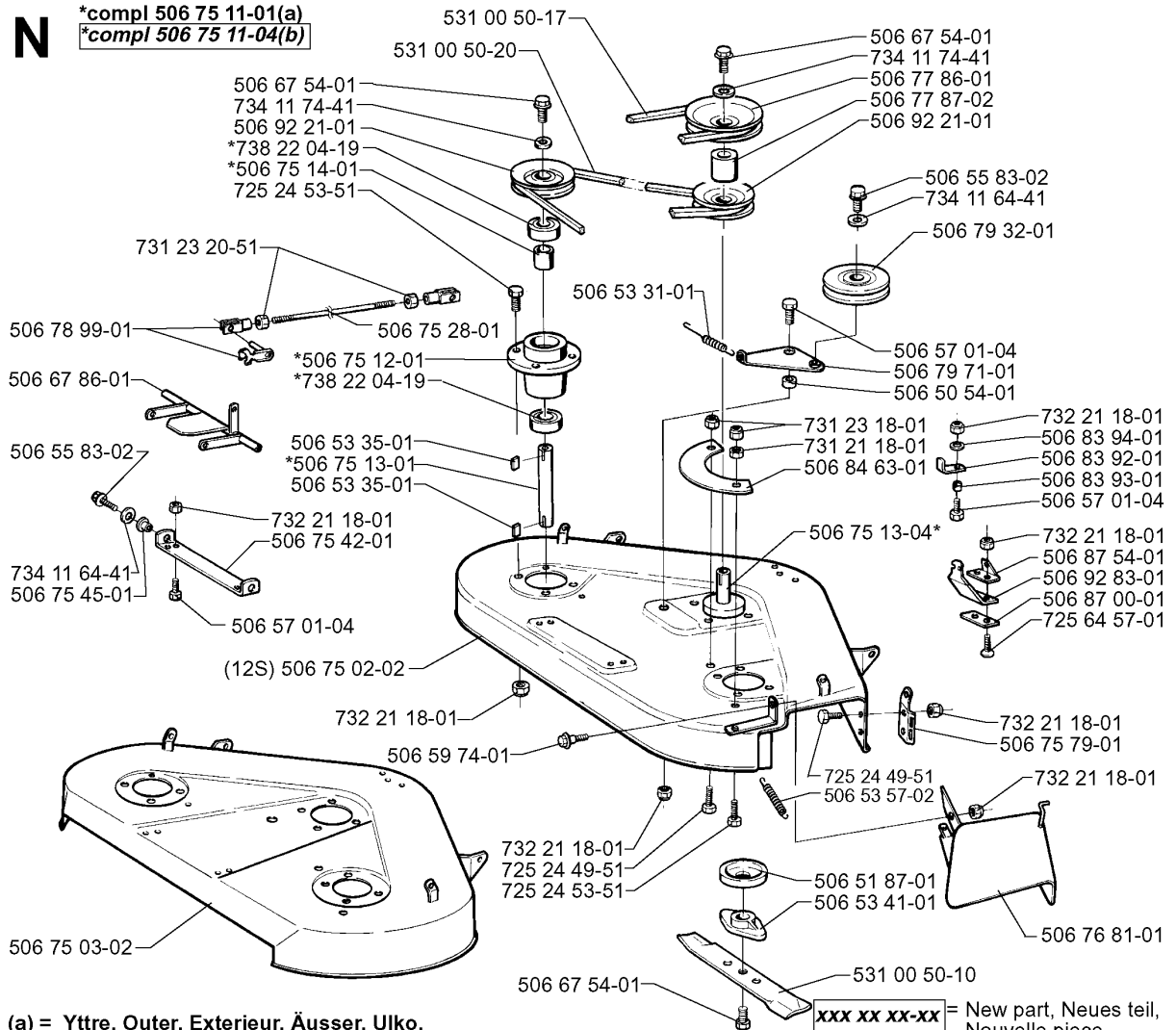
## FRAME

RIDER 970, 1998-03

Part No	Description	Remark	QTY KIT
506 55 83-02	SCREW EHHFT		1
506 55 83-02	SCREW EHHFT		1
506 55 97-01	WASHER		1
506 56 93-01	SCREW		1
506 59 74-01	SCREW EHHFM		1
506 77 91-01	SPRING		1
506 79 32-01	BELT TENSIONER WHEEL		1
506 79 32-02	BELT TENSIONER WHEEL		1
506 79 74-01	SPÄNNARM KPL.		1
506 82 34-01	HITCH		1
506 82 37-02	LOCK ASSY		1
506 82 41-02	WIRE ASSY		1
506 83 76-01	SPRING		1
506 83 77-01	RING BOLT		1
506 83 94-01	SPRING WASHER		1
506 84 11-02	SPRING		1
506 89 58-01	COLLAR SCREW		1
506 91 85-01	MELLANDEL		1
506 91 85-02	MELLANDEL	12S	1
506 91 86-01	DECK ATTACHMENT ASSY		1
506 91 87-01	WASHER		1
725 64 55-01	SCREW IHCSFM		1
731 23 20-51	HEXAGON NUT		1
732 21 18-01	LOCK NUT		1
732 21 18-01	LOCK NUT		1
732 25 22-01	HEXAGON LOCKING NUT		1
734 11 64-41	WASHER		1
734 11 64-41	WASHER		1
734 11 72-01	WASHER		1
735 31 12-20	E-CLIP		1

**N**

**\*compl 506 75 11-01(a)**  
**\*compl 506 75 11-04(b)**



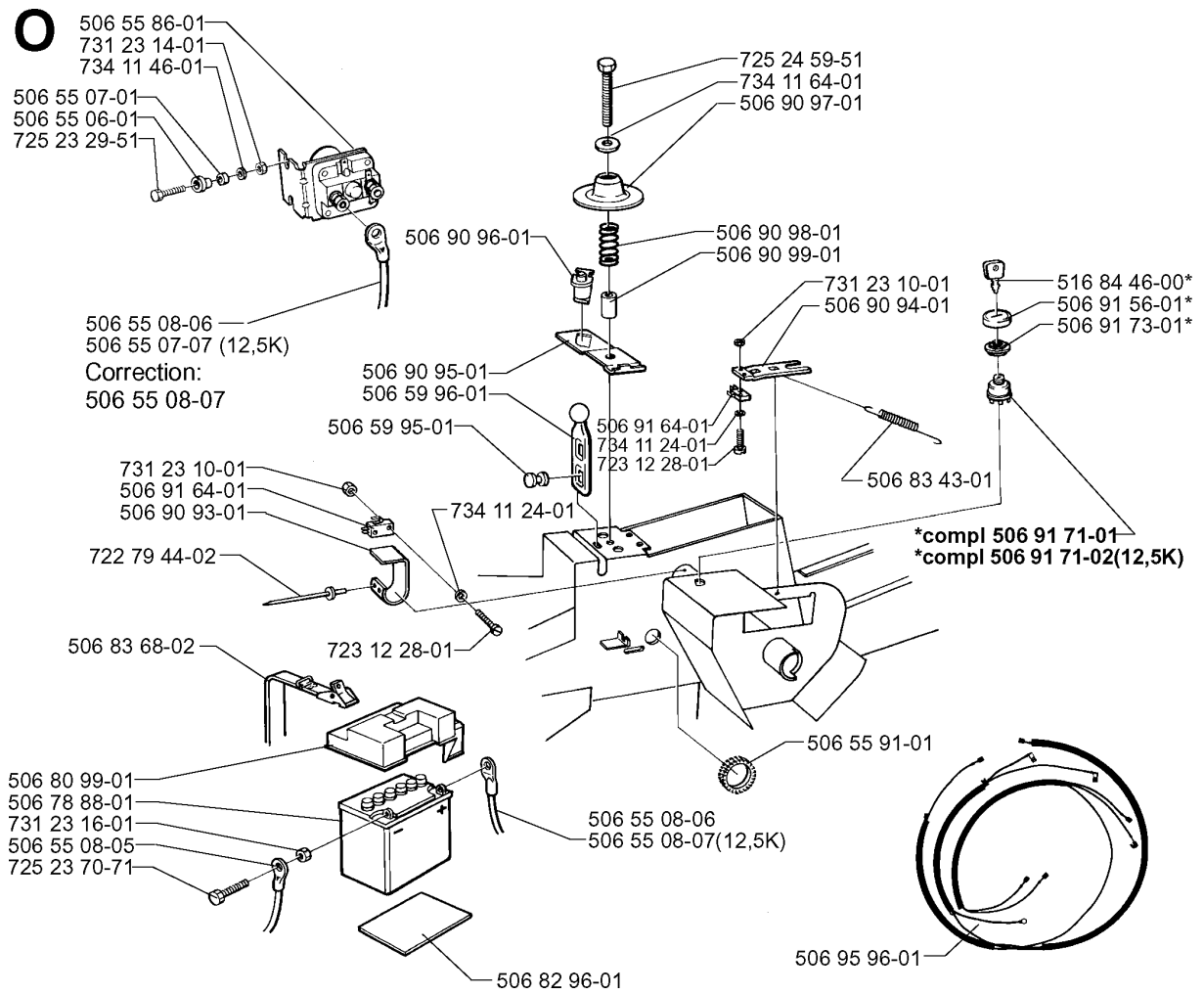
(a) = Yttre. Outer. Exterieur. Äusser. Ulko.  
 (b) = Mitten. Centre. Centre. Zentrum. Keski.

**xxx xx xx-xx** = New part, Neues teil,  
 Nouvelle piece,  
 Nueva pieza, Ny detalj

## 97CM CUTTING DECK

RIDER 970, 1998-03

Part No	Description	Remark	QTY KIT
506 50 54-01	SPACER RING		1
506 51 87-01	DUST COVER		1
506 53 31-01	SPRING		1
506 53 35-01	PARALLEL KEY		1
506 53 35-01	PARALLEL KEY		1
506 53 41-01	BLADE		1
506 53 57-02	SPRING		1
506 55 83-02	SCREW EHHFT		1
506 55 83-02	SCREW EHHFT		1
506 57 01-04	SCREW EHHFM		1
506 57 01-04	SCREW EHHFM		1
506 57 01-04	SCREW EHHFM		1
506 59 74-01	SCREW EHHFM		1
506 67 54-01	SCREW EHHFM		1
506 67 54-01	SCREW EHHFM		1
506 67 54-01	SCREW EHHFM		1
506 67 86-01	LIFTING YOKE		1
506 75 02-02	DECK SHELL ASSY	12S	1
506 75 03-02	DECK SHELL ASSY		1
506 75 11-01	BLADE HOUSING ASSY	YTTRE.	1
506 75 11-04	BLADE HOUSING ASSY	MITTEN.	1
506 75 12-01	BEARING HOUSING		1
506 75 13-01	SHAFT		1
506 75 13-04	SHAFT		1
506 75 14-01	SPACER		1
506 75 28-01	PUSH ROD		1
506 75 42-01	BRACKET		1
506 75 45-01	BUSHING		1
506 75 79-01	BRACKET		1
506 76 81-01	SHIELD		1
506 77 86-01	PULLEY		1
506 77 87-02	SPACER		1
506 78 99-01	VINKELLÄNK DIN 71802		1
506 79 32-01	BELT TENSIONER WHEEL		1
506 79 71-01	SPÄNNARM KPL.		1
506 83 92-01	LATCH		1
506 83 93-01	SPACING SLEEVE		1
506 83 94-01	SPRING WASHER		1
506 84 63-01	COVER		1
506 87 00-01	UNDERLÄGGSPLATTA		1
506 87 54-01	BRACKET		1
506 92 21-01	PULLEY		1
506 92 21-01	PULLEY		1
506 92 83-01	BRACKET		1
531 00 50-10	MOWER BLADE		1
531 00 50-17	BELT		1
531 00 50-20	BELT		1
725 24 49-51	SCREW		1
725 24 49-51	SCREW		1
725 24 53-51	SCREW EHHM		1
725 24 53-51	SCREW EHHM		1
725 64 57-01	SCREW IHCSFM		1
731 21 18-01	NUT		1
731 23 18-01	HEXAGON NUT		1
731 23 20-51	HEXAGON NUT		1
732 21 18-01	LOCK NUT		1
732 21 18-01	LOCK NUT		1
732 21 18-01	LOCK NUT		1
732 21 18-01	LOCK NUT		1
732 21 18-01	LOCK NUT		1
732 21 18-01	LOCK NUT		1
732 21 18-01	LOCK NUT		1
734 11 64-41	WASHER		1
734 11 64-41	WASHER		1
734 11 74-41	WASHER		1
734 11 74-41	WASHER		1
738 22 04-19	BALL BEARING		1
738 22 04-19	BALL BEARING		1

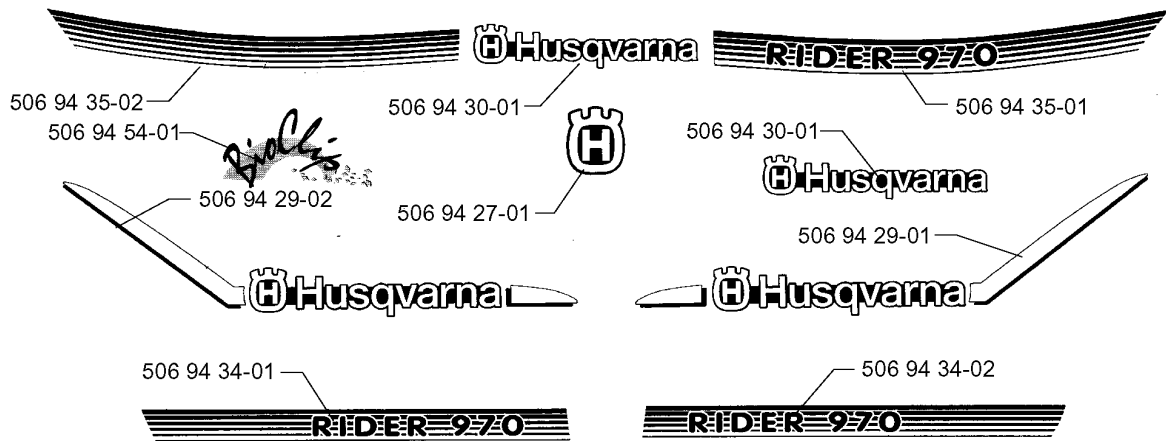


## ELECTRICAL

RIDER 970, 1998-03

Part No	Description	Remark	QTY KIT
506 55 06-01	PLUG		1
506 55 07-01	INSULATING WASHER		1
506 55 07-07		12,5K	1
506 55 08-05	STARTKABEL BATT-JORD		1
506 55 08-06	STARTKABEL BATT-RELÄ		1
506 55 08-06	STARTKABEL BATT-RELÄ		1
506 55 08-07	STARTKABEL RELÄ-MOTO	12,5K	1
506 55 08-07	STARTKABEL RELÄ-MOTO	CORRECTION:	1
506 55 86-01	RELAY		1
506 55 91-01	SKAVSKYDD		1
506 59 95-01	BUTTON		1
506 59 96-01	GUMMISTROPP		1
506 78 88-01	BATTERY		1
506 80 99-01	BATTERY COVER		1
506 82 96-01	BATTERY MAT		1
506 83 43-01	SPRING		1
506 83 68-02	BELT		1
506 90 93-01	PLATE SPRING		1
506 90 94-01	BRACKET		1
506 90 95-01	SWITCH ATTACHMENT SE		1
506 90 96-01	SWITCH		1
506 90 97-01	SPRING WASHER		1
506 90 98-01	SPRING		1
506 90 99-01	SPACING TUBE		1
506 91 56-01	PROTECTION		1
506 91 64-01	MICRO SWITCH		1
506 91 64-01	MICRO SWITCH		1
506 91 71-01	IGNITION LOCK		1
506 91 71-02	IGNITION LOCK	12,5K	1
506 91 73-01	NUT		1
506 95 96-01	WIRING		1
516 84 46-00	KEY		1
722 79 44-02	RIVET		1
723 12 28-01	SCREW SLCHM		1
723 12 28-01	SCREW SLCHM		1
725 23 29-51	SCREW		1
725 23 70-71	SCREW EHHM		1
725 24 59-51	SCREW EHHM		1
731 23 10-01	HEXAGON NUT		1
731 23 10-01	HEXAGON NUT		1
731 23 14-01	HEXAGON NUT		1
731 23 16-01	HEXAGON NUT		1
734 11 24-01	WASHER		1
734 11 24-01	WASHER		1
734 11 46-01	WASHER		1
734 11 64-01	WASHER		1

P



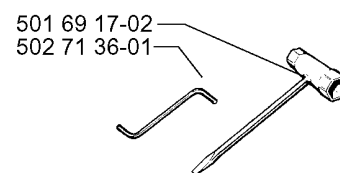


## DECALS

RIDER 970, 1998-03

Part No	Description	Remark	QTY KIT
506 94 27-01	DECAL		1
506 94 29-01	VINGAR MOTORKÅPA V.		1
506 94 29-02	VINGAR MOTORKÅPA H.		1
506 94 30-01	DECAL		1
506 94 30-01	DECAL		1
506 94 34-01	STRIPES MOTORKÅPA V		1
506 94 34-02	STRIPES MOTORKÅPA H		1
506 94 35-01	STRIPES MELLANDEL V		1
506 94 35-02	STRIPES MELLANDEL H		1
506 94 54-01	DECAL		1

**Q** Leverans endast som reservdel  
Delivery as spare part only  
Nur als Ersatzteil lieferbar  
Livable seulement comme pièce de rechange  
Solo como repuesto  
Zasilá se jenom jako náhradní díl



## ACCESSORIES

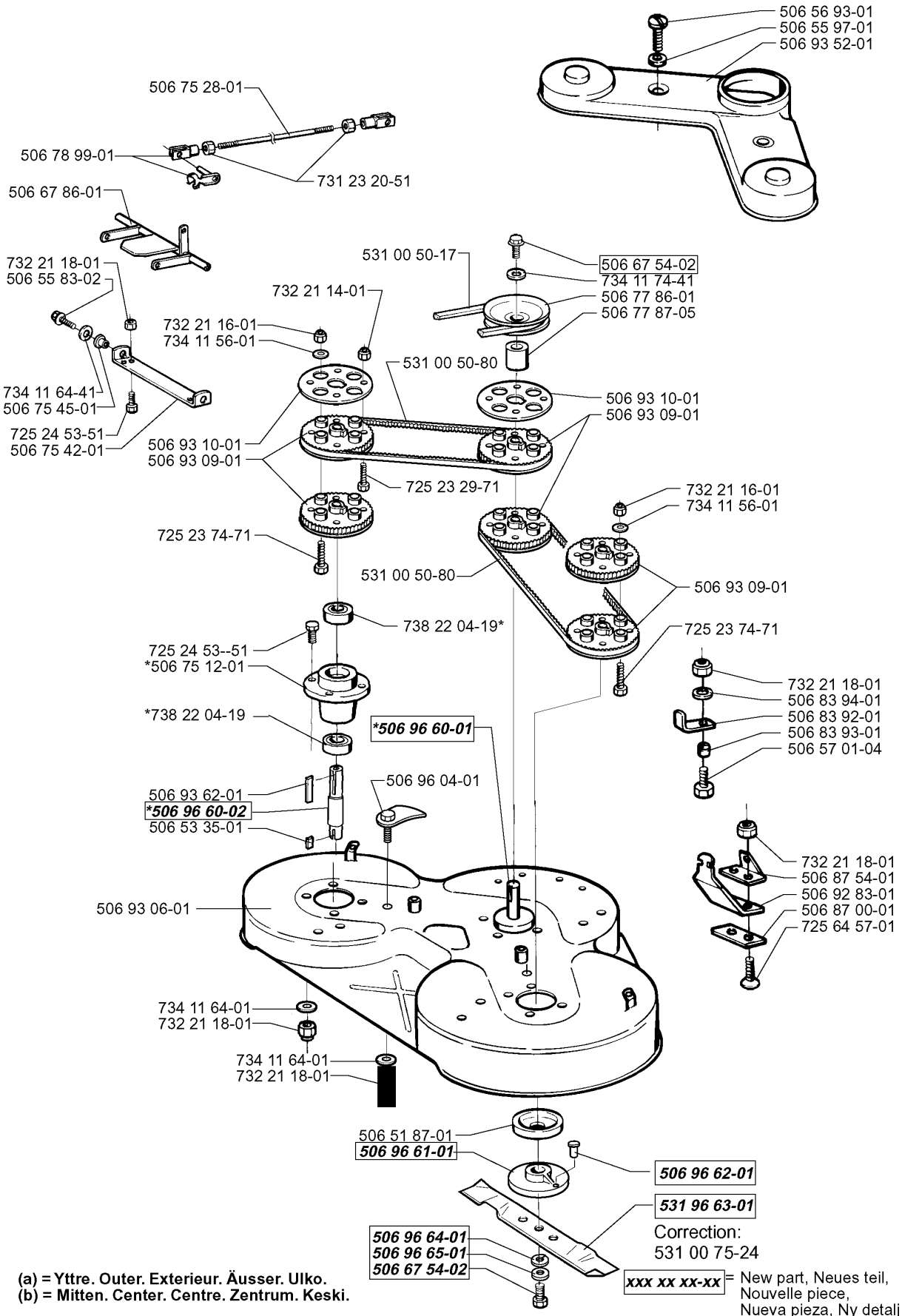
RIDER 970, 1998-03

Part No	Description	Remark	QTY KIT
501 69 17-02	COMBINATION WRENCH		1
502 71 36-01	SPANNER		1

**R**

**\*compl 506 75 11-07 (a)**  
**\*compl 506 75 11-06 (b)**

**BIOCLIP**



## 103CM CUTTING DECK

RIDER 970, 1998-03

Part No	Description	Remark	QTY KIT
506 51 87-01	DUST COVER		1
506 53 35-01	PARALLEL KEY		1
506 55 83-02	SCREW EHHFT		1
506 55 97-01	WASHER		1
506 56 93-01	SCREW		1
506 57 01-04	SCREW EHHFM		1
506 67 54-02	SCREW EHHFM		1
506 67 54-02	SCREW EHHFM		1
506 67 86-01	LIFTING YOKE		1
506 75 11-06	BLADE HOUSING ASSY	MITTEN.	1
506 75 11-07	BLADE HOUSING ASSY	YTTRE.	1
506 75 12-01	BEARING HOUSING		1
506 75 28-01	PUSH ROD		1
506 75 42-01	BRACKET		1
506 75 45-01	BUSHING		1
506 77 86-01	PULLEY		1
506 77 87-05	SPACER		1
506 78 99-01	VINKELLÄNK DIN 71802		1
506 83 92-01	LATCH		1
506 83 93-01	SPACING SLEEVE		1
506 83 94-01	SPRING WASHER		1
506 87 00-01	UNDERLÄGGSPLATTA		1
506 87 54-01	BRACKET		1
506 92 83-01	BRACKET		1
506 93 06-01	DECK SHELL ASSY		1
506 93 09-01	KUGGREMSKIVA		1
506 93 09-01	KUGGREMSKIVA		1
506 93 09-01	KUGGREMSKIVA		1
506 93 10-01	FLANGE		1
506 93 10-01	FLANGE		1
506 93 52-01	KUGGREMSKIVA		1
506 93 62-01	WEDGE		1
506 96 04-01	ECCENTRIC		1
506 96 60-01	SHAFT		1
506 96 60-02	SHAFT		1
506 96 61-01	BLADE		1
506 96 62-01	PIN		1
506 96 64-01	CUP		1
506 96 65-01	WASHER		1
531 00 50-17	BELT		1
531 00 50-80	BELT		1
531 00 50-80	BELT		1
531 00 75-24	BLADE	CORRECTION:	1
531 96 63-01	BLADE		1
725 23 29-71	SCREW EHHM		1
725 23 74-71	SCREW EHHM		1
725 23 74-71	SCREW EHHM		1
725 24 53-51	SCREW EHHM		1
725 24 53-51	SCREW EHHM		1
725 64 57-01	SCREW IHCSFM		1
731 23 20-51	HEXAGON NUT		1
732 21 14-01	LOCK NUT		1
732 21 16-01	LOCK NUT		1
732 21 16-01	LOCK NUT		1
732 21 18-01	LOCK NUT		1
732 21 18-01	LOCK NUT		1
732 21 18-01	LOCK NUT		1
732 21 18-01	LOCK NUT		1
732 21 18-01	LOCK NUT		1
732 21 18-01	LOCK NUT		1
734 11 56-01	WASHER		1
734 11 56-01	WASHER		1
734 11 64-01	WASHER		1
734 11 64-01	WASHER		1
734 11 64-41	WASHER		1
734 11 74-41	WASHER		1
738 22 04-19	BALL BEARING		1
738 22 04-19	BALL BEARING		1