

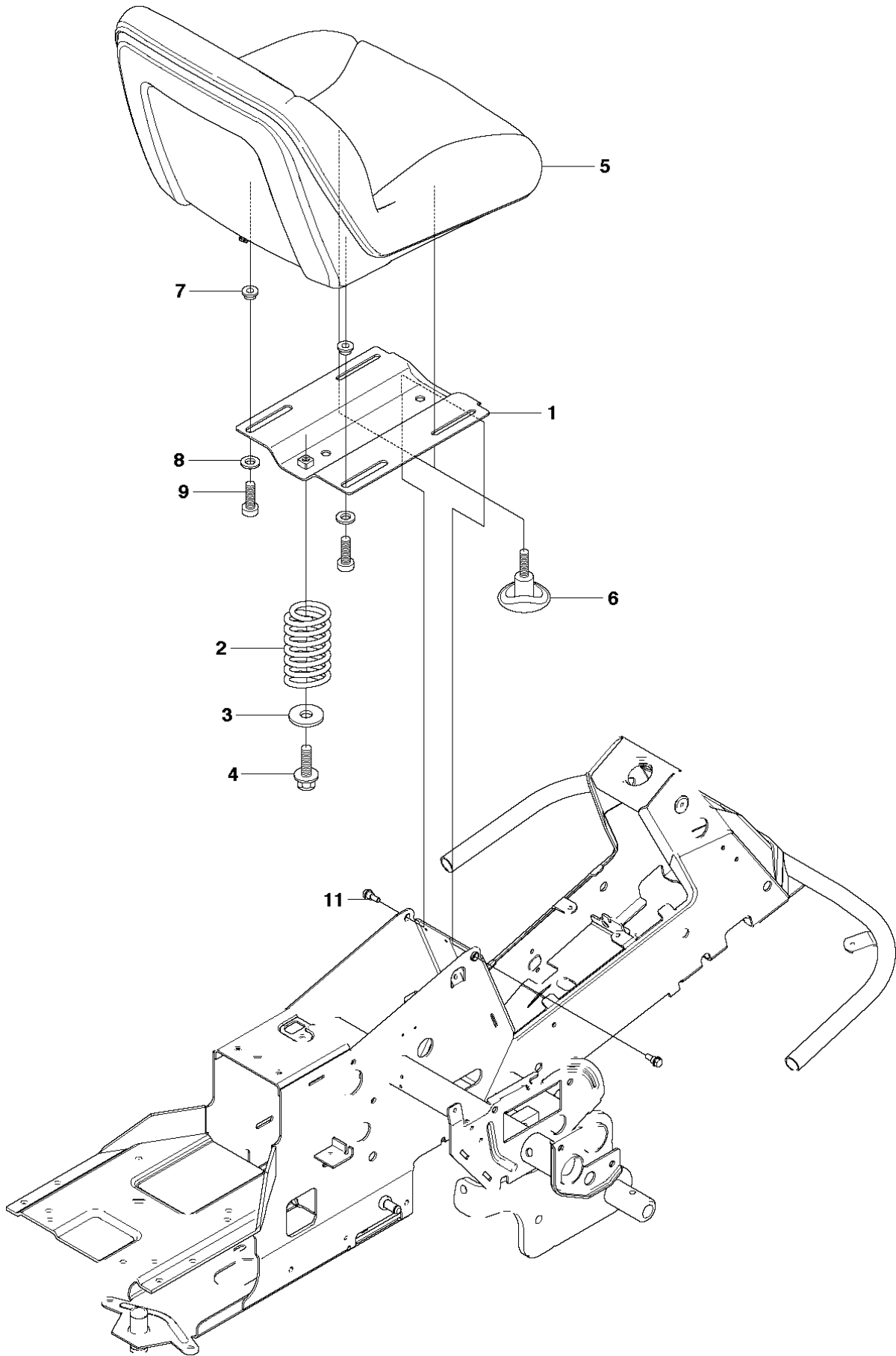


# SPARE PARTS LIST

RIDERS

RIDER 18, 966414001, 2010-03

R18  
SEAT

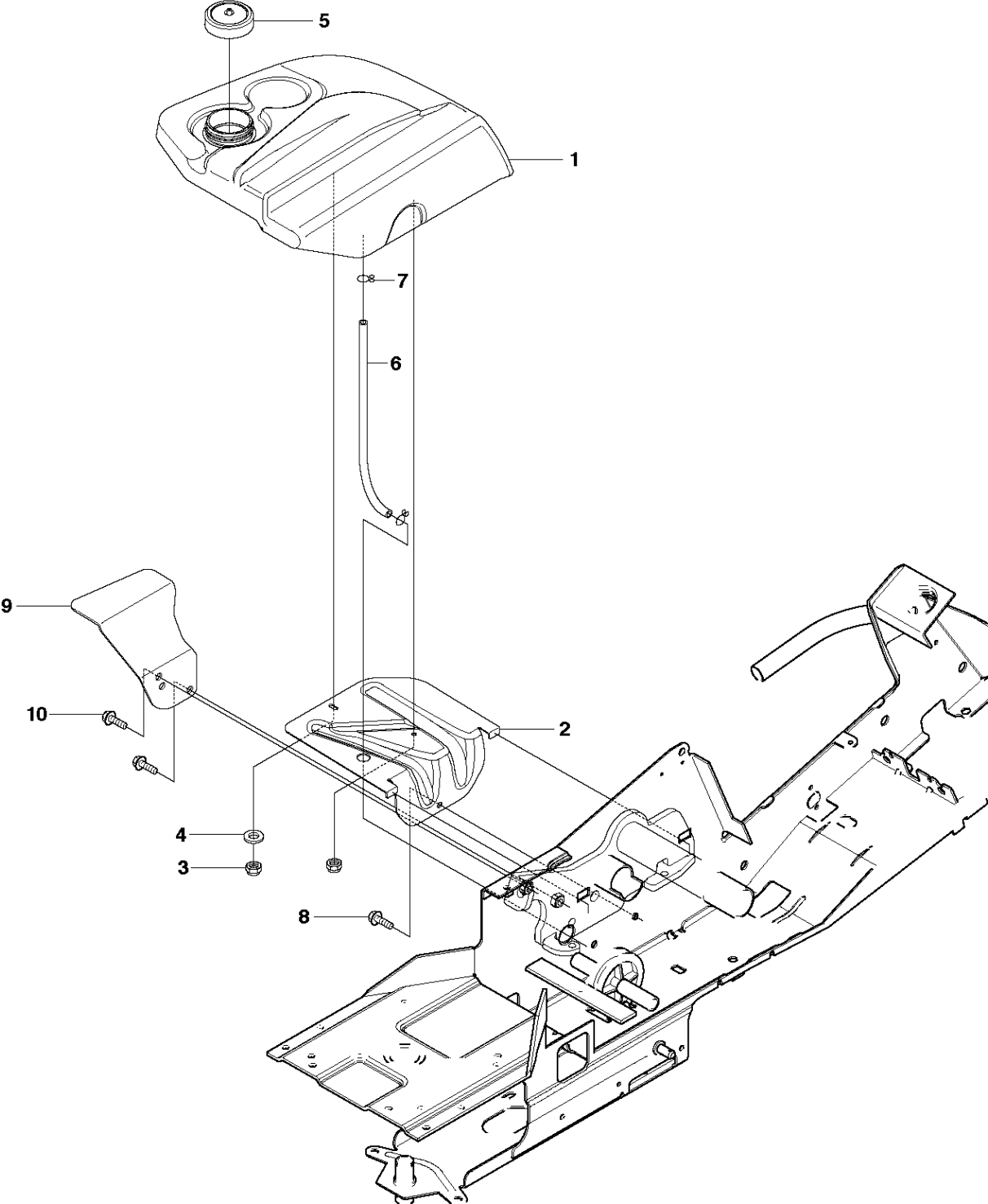


## SEAT

RIDER 18, 966414001, 2010-03

| Ref | Part No      | Description        | Remark | QTY KIT |
|-----|--------------|--------------------|--------|---------|
| 1   | 573 99 50-03 | SEAT BRACKET       |        | 1       |
| 2   | 506 91 53-01 | COMPRESSION SPRING |        | 1       |
| 3   | 734 11 74-41 | WASHER             |        | 1       |
| 4   | 725 24 93-71 | SCREW EHHM         |        | 1       |
| 5   | 544 43 33-01 | SEAT               |        | 1       |
| 6   | 506 56 55-01 | JUSTERVRED         |        | 2       |
| 7   | 506 56 53-01 | BUSHING            |        | 2       |
| 8   | 734 11 64-41 | WASHER             |        | 2       |
| 9   | 506 55 63-01 | SCREW UNC          |        | 2       |
| 11  | 506 59 74-01 | SCREW EHHFM        |        | 1       |

R18  
FUEL SYSTEM

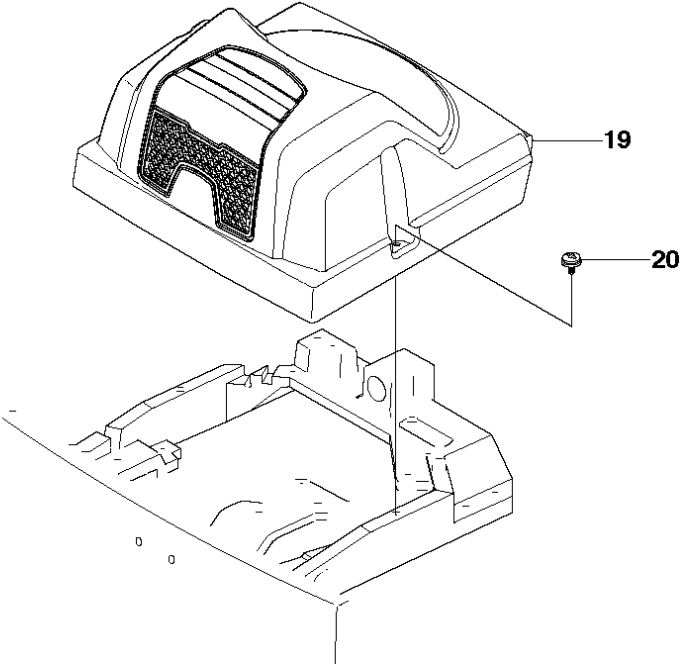
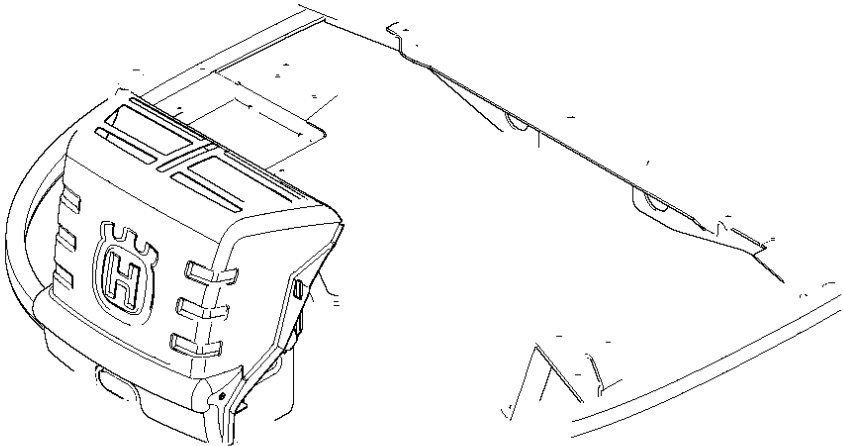
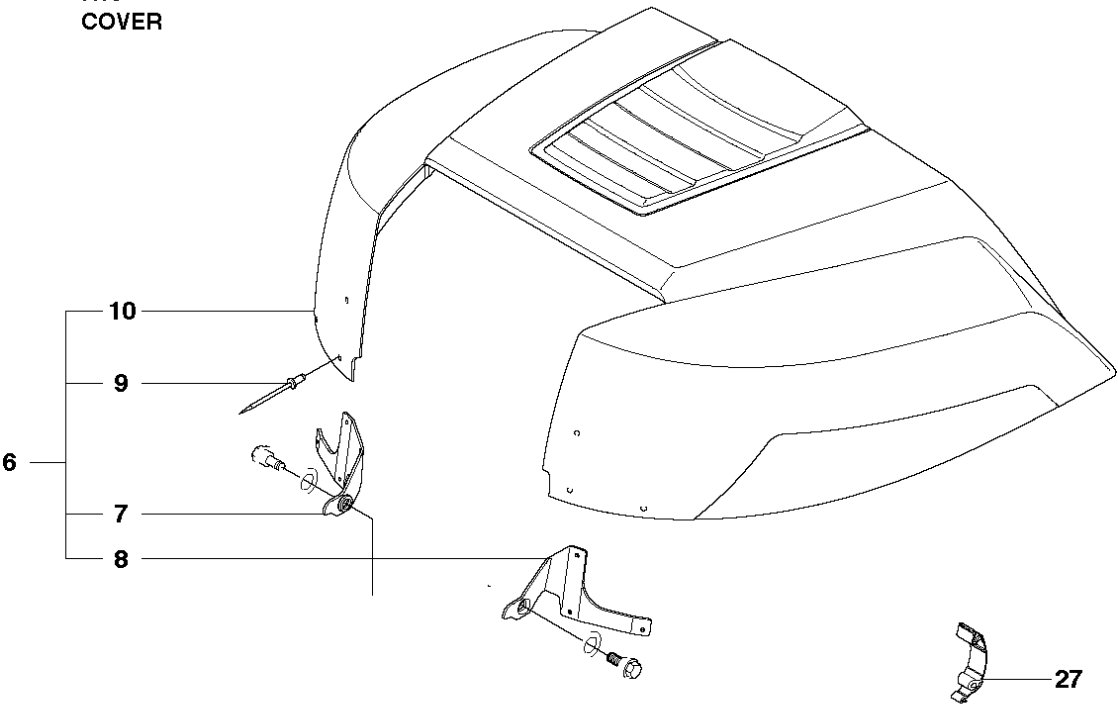


## FUEL SYSTEM

RIDER 18, 966414001, 2010-03

| Ref | Part No      | Description   | Remark | QTY KIT |
|-----|--------------|---------------|--------|---------|
| 1   | 535 50 13-01 | FUEL TANK     |        | 1       |
| 2   | 544 32 93-01 | BRACKET       |        | 1       |
| 3   | 732 21 16-01 | LOCK NUT      |        | 2       |
| 4   | 734 11 56-01 | WASHER        |        | 1       |
| 5   | 506 67 33-01 | TANK CAP ASSY |        | 1       |
| 6   | 504 80 00-07 | FUEL HOSE     |        | 1       |
| 7   | 535 46 97-01 | HOSE BRACE    |        | 2       |
| 8   | 725 23 64-61 | SCREW EHHFT   |        | 1       |
| 9   | 501 02 03-01 | SUPPORT       |        | 1       |
| 10  | 725 24 93-71 | SCREW EHHM    |        | 2       |

R18  
COVER

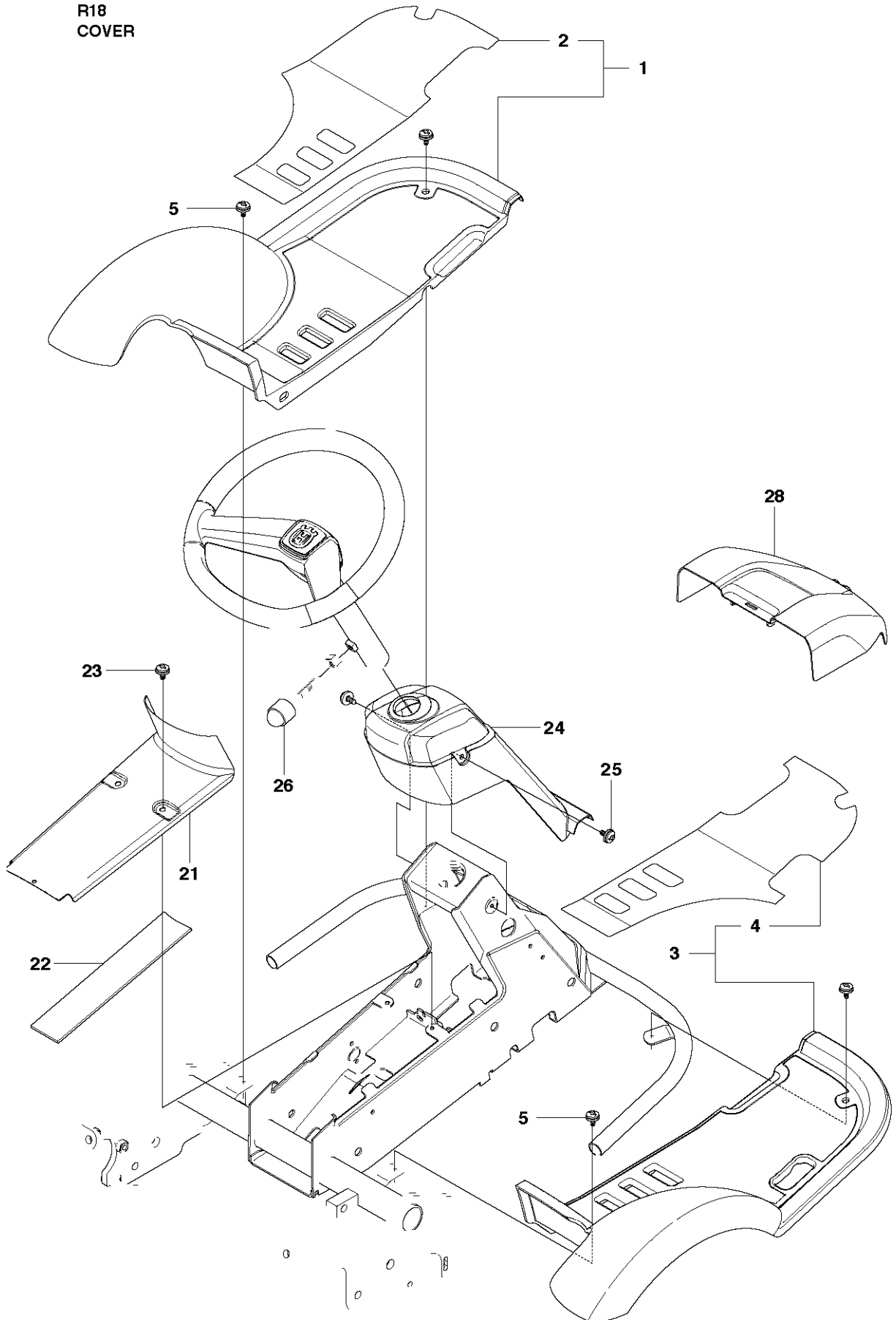


## COVER

RIDER 18, 966414001, 2010-03

| Ref | Part No      | Description      | Remark | QTY | KIT |
|-----|--------------|------------------|--------|-----|-----|
| 6   | 544 24 50-04 | ENGINE HOOD ASSY |        | 1   |     |
| 7   | 544 24 51-01 | HINGE            |        | 1   | 6   |
| 8   | 544 24 51-02 | HINGE            |        | 1   | 6   |
| 9   | 722 79 54-02 | RIVET            |        | 6   | 6   |
| 10  | 544 24 52-02 | ENGINE HOOD ASSY |        | 1   |     |
| 19  | 544 37 39-01 | COVER            |        | 1   |     |
| 20  | 544 40 05-01 | SCREW            |        | 2   |     |
| 27  | 503 89 47-03 | SNAP LOCKING     |        | 1   |     |

R18  
COVER



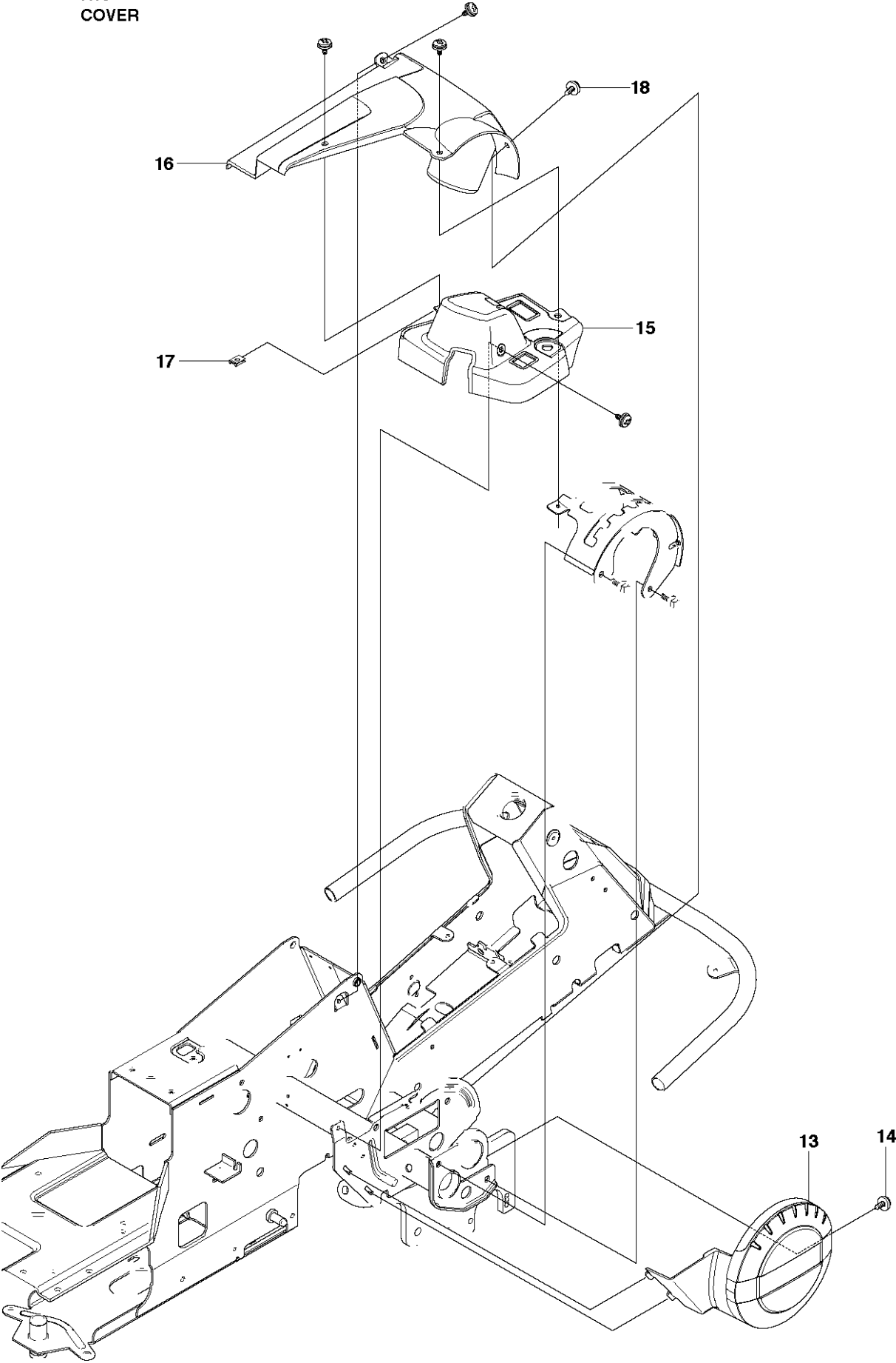


## COVER

RIDER 18, 966414001, 2010-03

| Ref | Part No      | Description      | Remark | QTY | KIT |
|-----|--------------|------------------|--------|-----|-----|
| 1   | 544 89 59-01 | FOOT PLATE       |        | 1   |     |
| 2   | 544 24 84-01 | MAT              |        | 1   | 1   |
| 3   | 544 89 59-03 | FOOT PLATE       |        | 1   |     |
| 4   | 544 24 84-03 | MAT              |        | 1   | 3   |
| 5   | 544 40 05-01 | SCREW            |        | 4   |     |
| 21  | 544 23 92-01 | COVER            |        | 1   |     |
| 22  | 544 42 75-01 | MAT              |        | 1   |     |
| 23  | 544 40 05-01 | SCREW            |        | 2   |     |
| 24  | 544 32 65-01 | COVER            |        | 1   |     |
| 25  | 544 40 05-01 | SCREW            |        | 2   |     |
| 26  | 544 43 32-01 | PROTECTIVE COVER |        | 1   |     |
| 28  | 525 56 24-01 | UNIT COVER       |        | 1   |     |

R18  
COVER

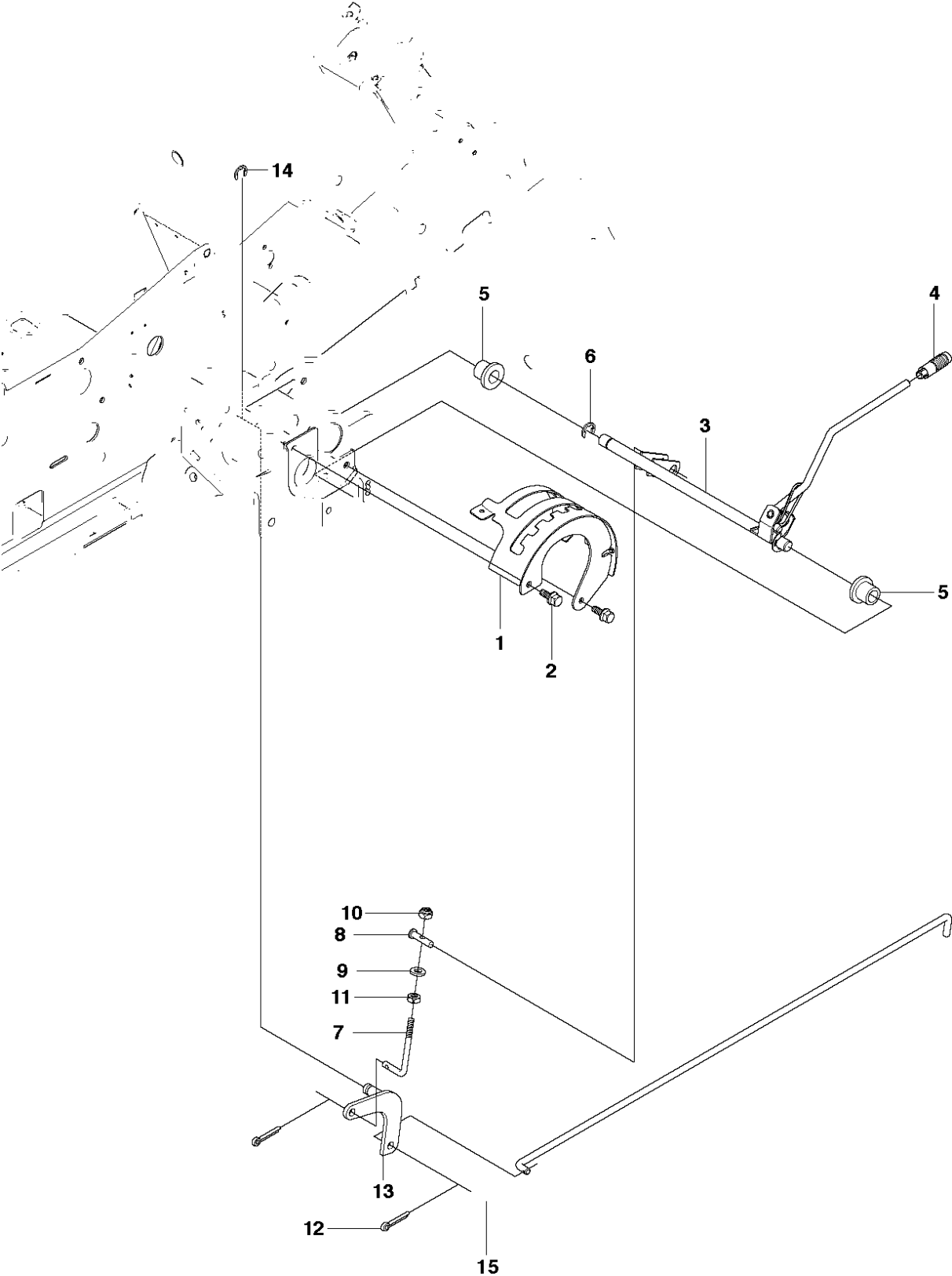


COVER

RIDER 18, 966414001, 2010-03

| Ref | Part No      | Description   | Remark | QTY KIT |
|-----|--------------|---------------|--------|---------|
| 13  | 535 50 25-01 | CONTROL COVER |        | 1       |
| 14  | 544 40 05-01 | SCREW         |        | 1       |
| 15  | 544 33 21-03 | CONTROL COVER |        | 1       |
| 16  | 544 33 22-02 | COVER         |        | 1       |
| 17  | 535 42 91-01 | SPRING NUT    |        | 1       |
| 18  | 544 40 05-01 | SCREW         |        | 4       |

R18  
HEIGHT ADJUSTMENT

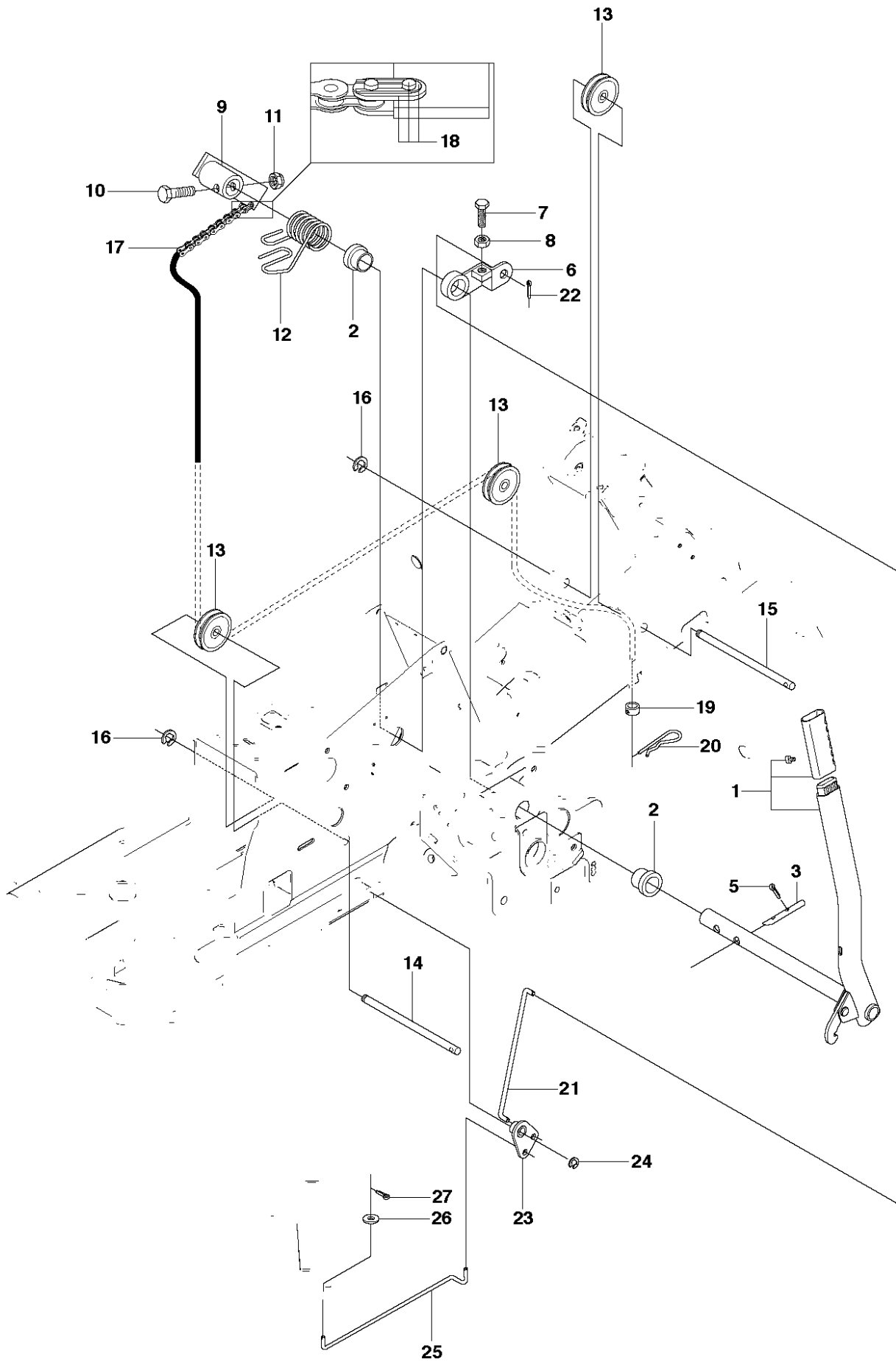


## HEIGHT ADJUSTMENT

RIDER 18, 966414001, 2010-03

| Ref | Part No      | Description    | Remark | QTY KIT |
|-----|--------------|----------------|--------|---------|
| 1   | 535 50 14-01 | CONTROL PLATE  |        | 1       |
| 2   | 506 57 01-03 | SCREW EHHFM    |        | 2       |
| 3   | 504 73 45-01 | ADJUSTER       |        | 1       |
| 4   | 506 54 20-01 | HANDLE         |        | 1       |
| 5   | 506 55 43-01 | BEARING        |        | 2       |
| 6   | 735 31 22-20 | E-CLIP         |        | 1       |
| 7   | 506 90 82-01 | HEIGHT ROD     |        | 1       |
| 8   | 506 78 46-01 | PEN            |        | 1       |
| 9   | 734 11 72-01 | WASHER         |        | 1       |
| 10  | 732 21 18-01 | LOCK NUT       |        | 1       |
| 11  | 731 23 18-01 | HEXAGON NUT    |        | 1       |
| 12  | 721 61 83-01 | SPLIT PIN      |        | 2       |
| 13  | 525 47 60-01 | ADJUSTER       |        | 1       |
| 14  | 735 31 15-20 | E-CLIP         |        | 1       |
| 15  | 523 11 45-01 | CONNECTION ROD |        | 1       |

R18  
MOWER LIFT

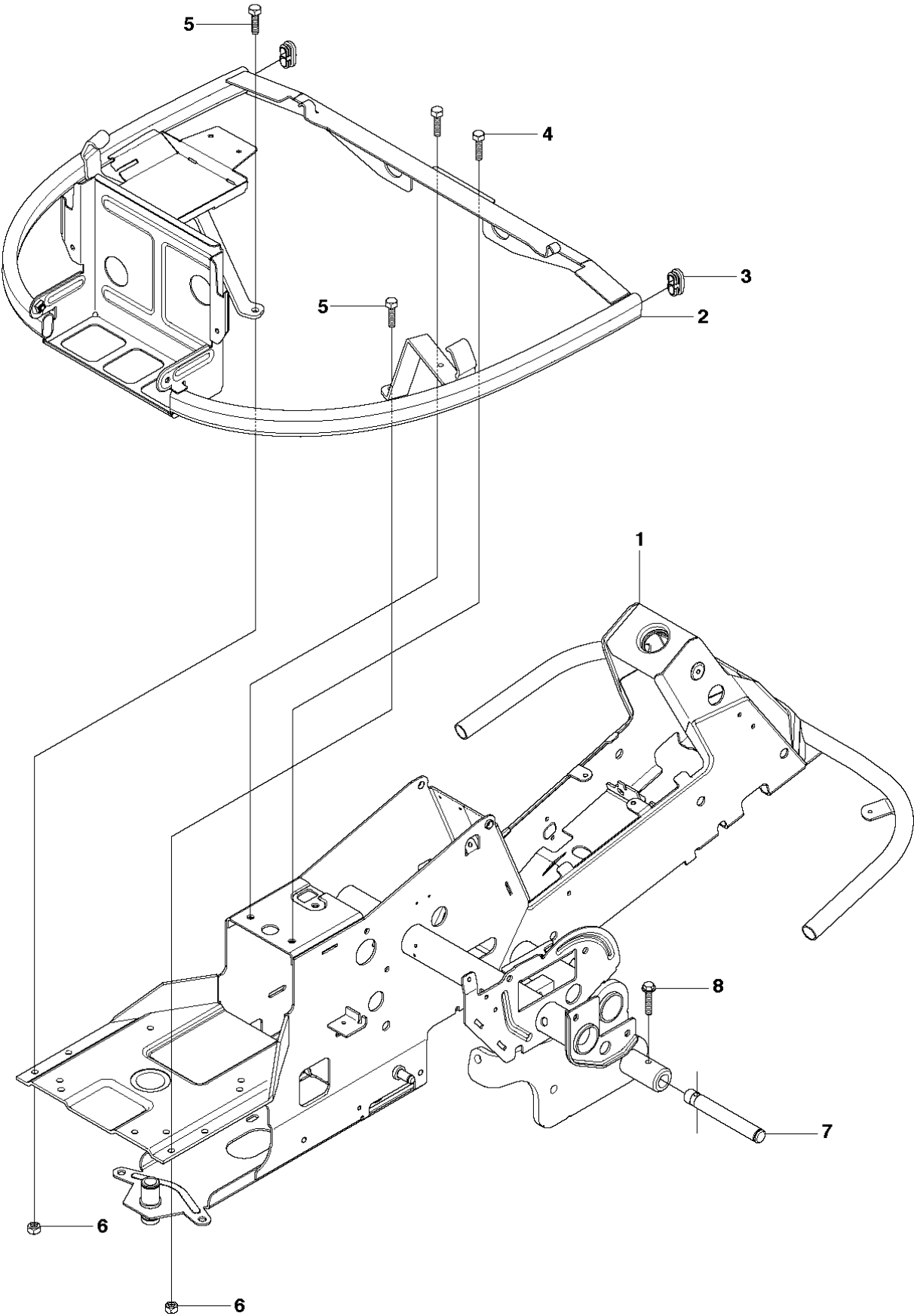


## MOWER LIFT / DECK LIFT

RIDER 18, 966414001, 2010-03

| Ref | Part No      | Description         | Remark | QTY KIT |
|-----|--------------|---------------------|--------|---------|
| 1   | 501 01 86-01 | LIFTING LEVER ASSY  |        | 1       |
| 2   | 506 55 65-01 | BEARING             |        | 2       |
| 3   | 525 40 66-01 | PEN                 |        | 1       |
| 5   | 721 61 83-01 | SPLIT PIN           |        | 1       |
| 6   | 506 78 43-01 | LINK ASSY           |        | 1       |
| 7   | 725 24 97-51 | SCREW               |        | 1       |
| 8   | 731 23 20-51 | HEXAGON NUT         |        | 1       |
| 9   | 544 43 36-01 | LIFTING ARM         |        | 1       |
| 10  | 725 25 42-51 | SCREW EHHM          |        | 1       |
| 11  | 732 25 22-01 | HEXAGON LOCKING NUT |        | 1       |
| 12  | 506 91 68-01 | SPRING              |        | 1       |
| 13  | 506 90 56-01 | OFFSET PULLEY       |        | 2       |
| 14  | 506 90 57-01 | SHAFT               |        | 1       |
| 15  | 506 90 57-02 | SHAFT               |        | 1       |
| 16  | 735 31 18-20 | E-CLIP              |        | 2       |
| 17  | 506 55 46-07 | CHAIN               |        | 1       |
| 18  | 506 55 47-01 | LINKAGE             |        | 1       |
| 19  | 544 93 42-01 | CHAIN STOP          |        | 1       |
| 20  | 506 96 66-01 | HAIR PIN COTTER     |        | 1       |
| 21  | 544 45 69-01 | CONNECTION ROD      |        | 1       |
| 22  | 721 61 83-01 | SPLIT PIN           |        | 1       |
| 23  | 544 37 86-01 | LINK                |        | 1       |
| 24  | 735 31 14-20 | E-CLIP              |        | 1       |
| 25  | 544 44 88-01 | CONNECTION ROD      |        | 1       |
| 26  | 734 11 64-41 | WASHER              |        | 1       |
| 27  | 721 61 83-01 | SPLIT PIN           |        | 1       |

R18  
CHASSIS



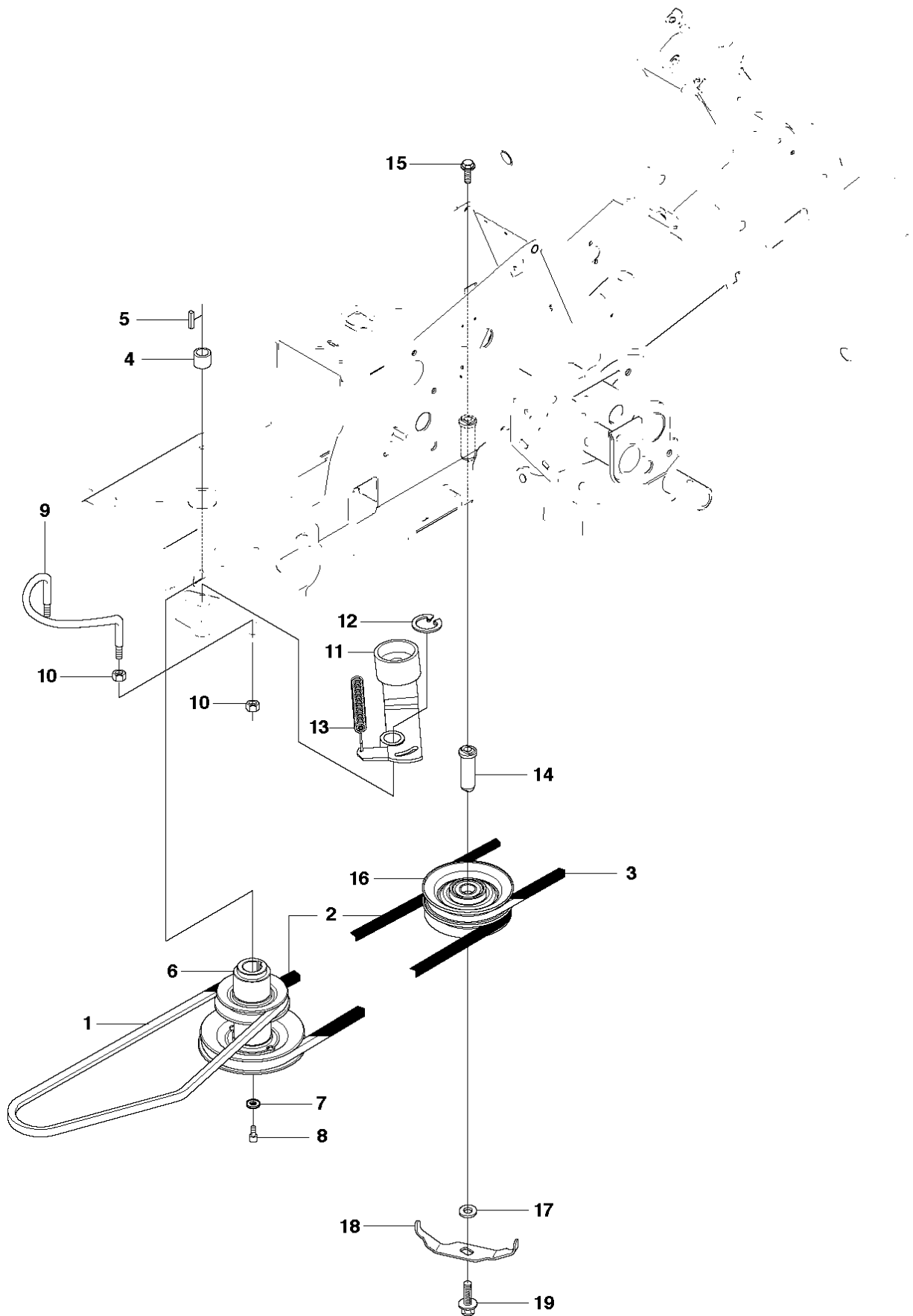


## CHASSIS / FRAME

RIDER 18, 966414001, 2010-03

| Ref | Part No      | Description  | Remark | QTY KIT |
|-----|--------------|--------------|--------|---------|
| 1   | 544 84 23-01 | FRAME        |        | 1       |
| 2   | 544 24 42-04 | ENGINE FRAME |        | 1       |
| 3   | 544 24 44-01 | PLUG         |        | 2       |
| 4   | 506 57 01-03 | SCREW EHHFM  |        | 2       |
| 5   | 725 24 51-71 | SCREW EHHM   |        | 2       |
| 6   | 732 21 18-01 | LOCK NUT     |        | 2       |
| 7   | 535 47 08-01 | WHEEL AXLE   |        | 2       |
| 8   | 725 24 59-61 | SCREW EHHFT  |        | 2       |

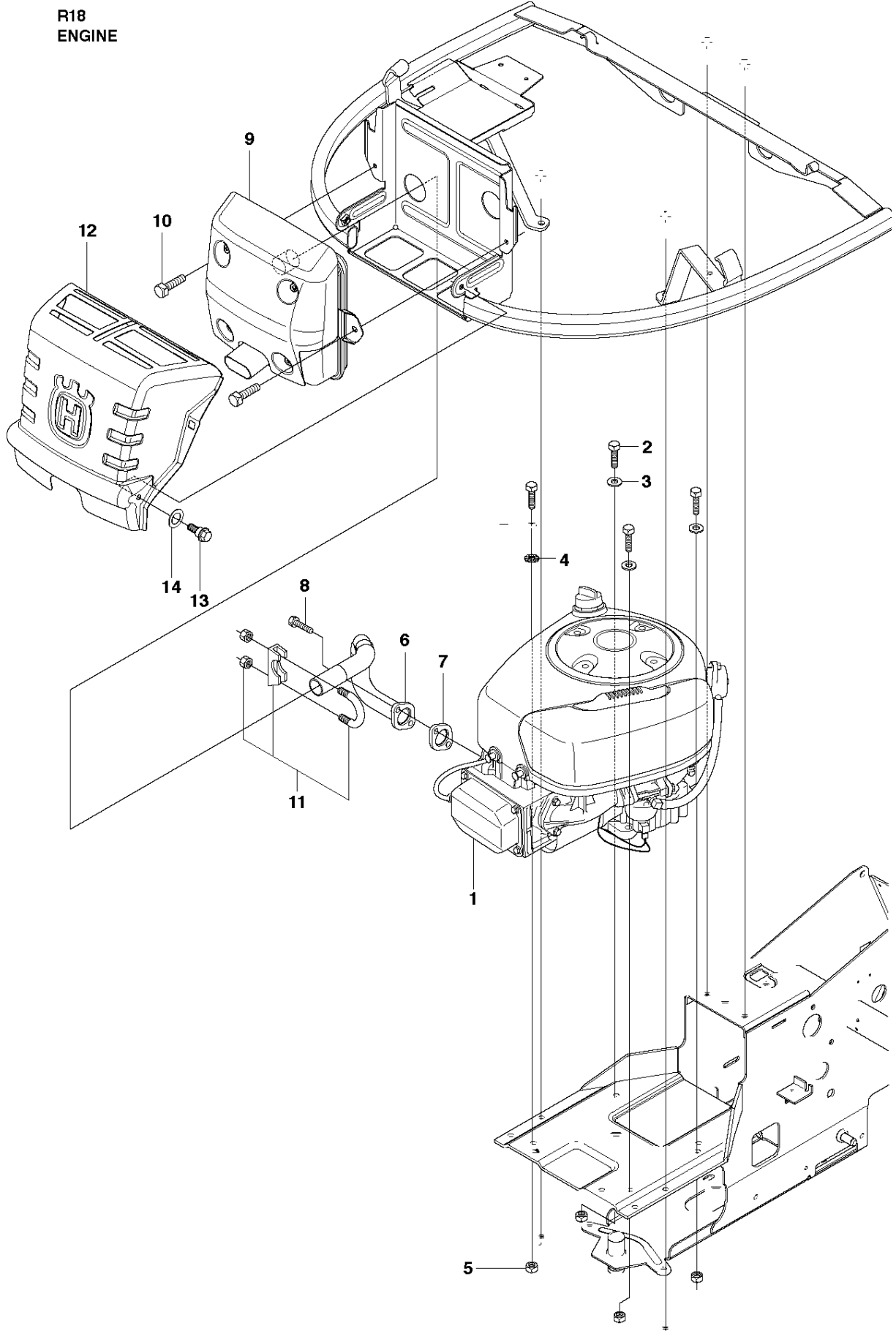
R18  
TRANSMISSION



## TRANSMISSION

RIDER 18, 966414001, 2010-03

| Ref | Part No      | Description         | Remark | QTY KIT |
|-----|--------------|---------------------|--------|---------|
| 1   | 589 53 12-01 | BELT                |        | 1       |
| 2   | 589 53 04-01 | BELT                |        | 1       |
| 3   | 594 97 80-01 | BELT                |        | 1       |
| 4   | 506 50 92-01 | SPACING SLEEVE      |        | 1       |
| 5   | 506 55 59-01 | WEDGE               |        | 1       |
| 6   | 535 48 24-01 | PULLEY              |        | 1       |
| 7   | 506 59 75-01 | WASHER              |        | 1       |
| 8   | 506 55 60-02 | SCREW UNC           |        | 1       |
| 9   | 506 66 45-01 | BELT GUIDE          |        | 1       |
| 10  | 731 23 20-51 | HEXAGON NUT         |        | 4       |
| 11  | 535 48 44-01 | BELT TENSIONER ASSY |        | 1       |
| 12  | 735 31 26-00 | CIRCLIP             |        | 1       |
| 13  | 506 66 56-01 | SPRING              |        | 1       |
| 14  | 544 42 61-01 | SHAFT               |        | 1       |
| 15  | 506 67 54-02 | SCREW EHHFM         |        | 1       |
| 16  | 535 48 22-01 | PULLEY              |        | 1       |
| 17  | 506 77 57-01 | WASHER              |        | 1       |
| 18  | 544 40 53-01 | BELT GUIDE          |        | 1       |
| 19  | 506 57 01-05 | SCREW EHHFM         |        | 1       |

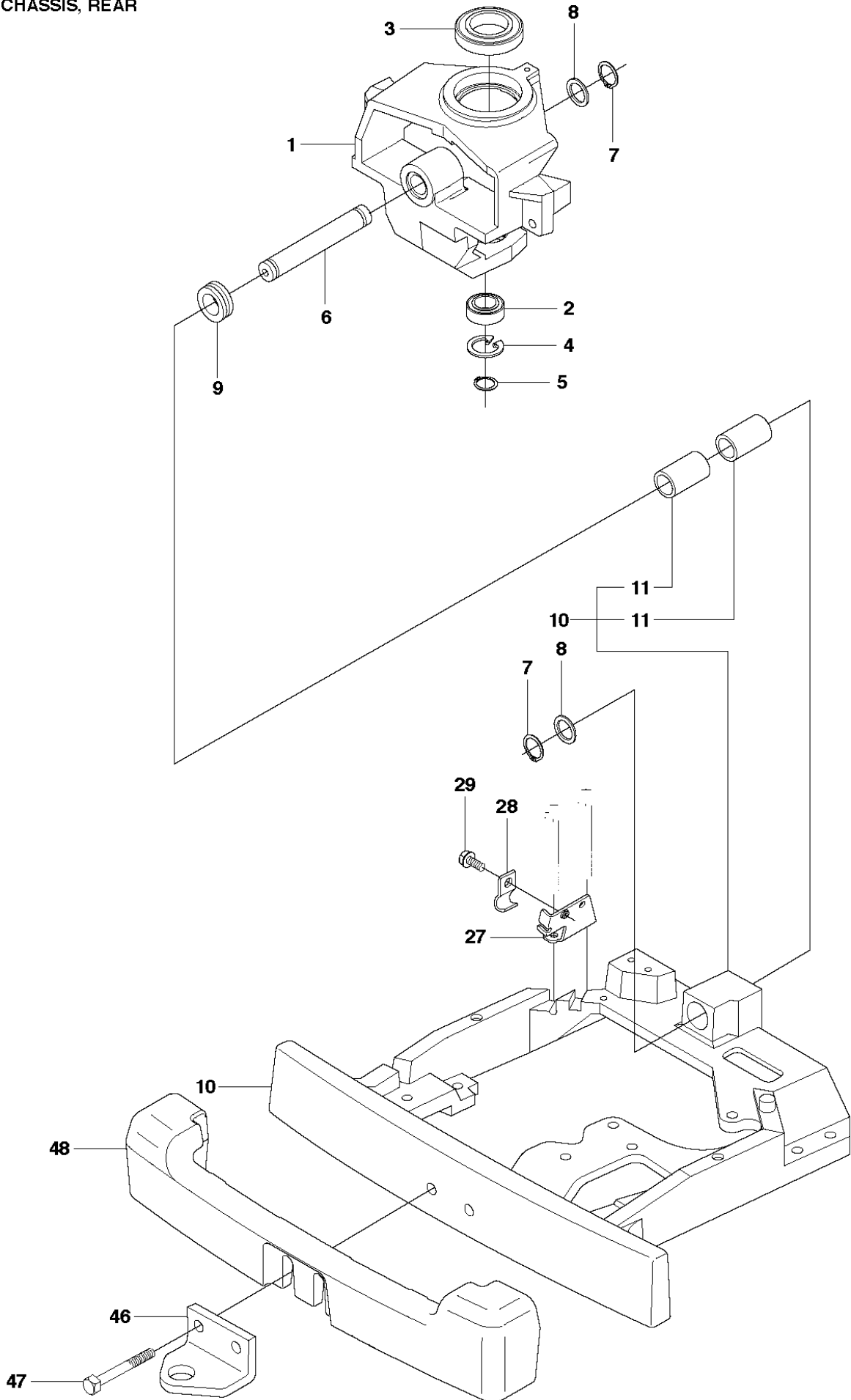


## ENGINE

RIDER 18, 966414001, 2010-03

| Ref | Part No      | Description       | Remark | QTY KIT |
|-----|--------------|-------------------|--------|---------|
| 1   | 544 83 31-01 | ENGINE            |        | 1       |
| 2   | 725 24 57-51 | SCREW             |        | 4       |
| 3   | 734 11 64-01 | WASHER            |        | 3       |
| 4   | 735 21 64-00 | LOCKWASHER        |        | 1       |
| 5   | 732 21 18-01 | LOCK NUT          |        | 4       |
| 6   | 535 50 06-01 | EXHAUST PIPE ASSY |        | 1       |
| 7   | 506 91 45-01 | GASKET            |        | 1       |
| 8   | 506 55 63-01 | SCREW UNC         |        | 2       |
| 9   | 544 33 57-01 | MUFFLER ASSY      |        | 1       |
| 10  | 725 23 64-61 | SCREW EHHFT       |        | 2       |
| 11  | 506 66 84-01 | CLAMP ASSY        |        | 1       |
| 12  | 544 24 83-01 | HEAT PROTECTOR    |        | 1       |
| 13  | 506 59 74-01 | SCREW EHHFM       |        | 2       |
| 14  | 506 83 94-01 | SPRING WASHER     |        | 2       |

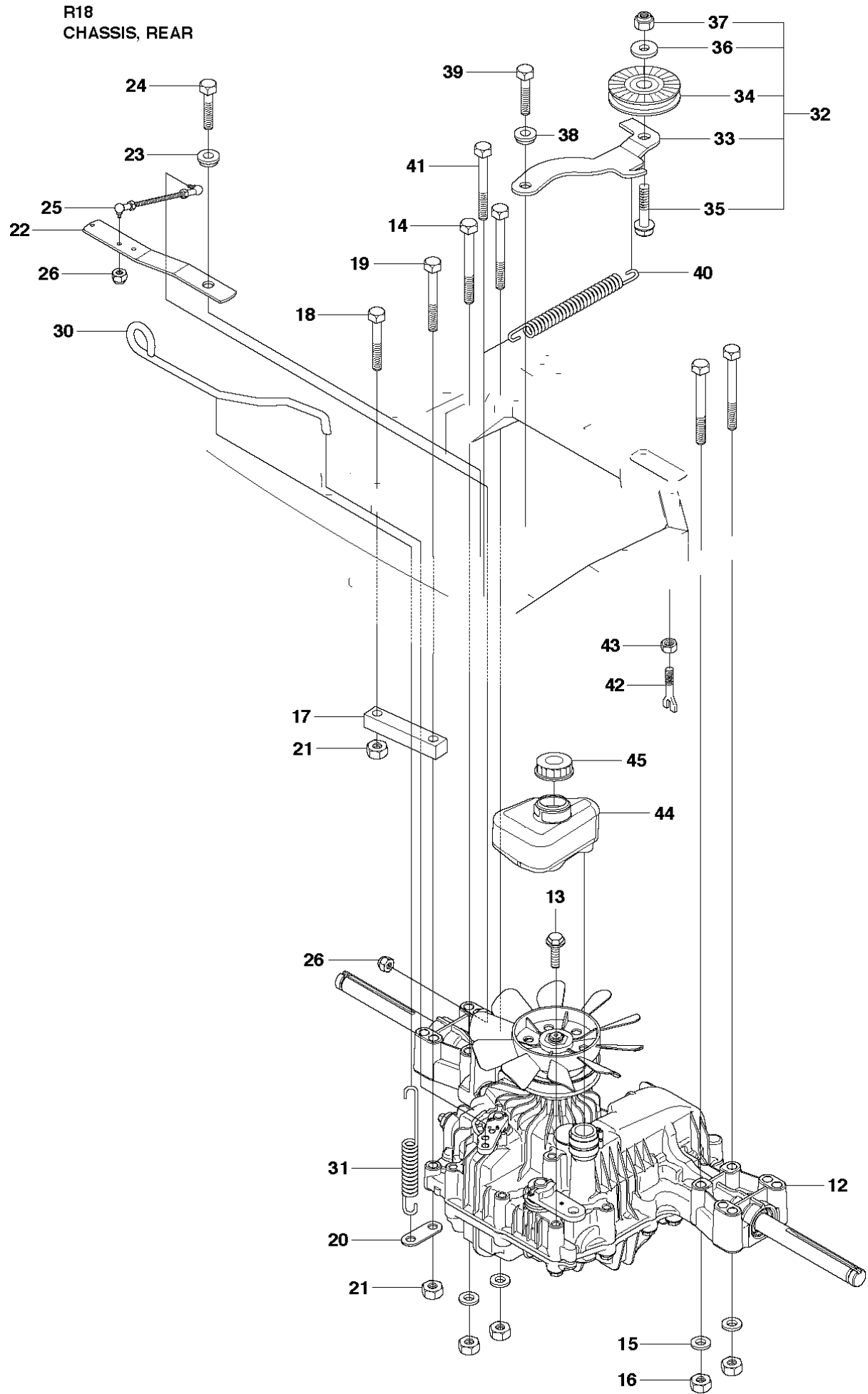
R18  
CHASSIS, REAR



## CHASSIS REAR

RIDER 18, 966414001, 2010-03

| Ref | Part No      | Description   | Remark | QTY KIT |
|-----|--------------|---------------|--------|---------|
| 1   | 506 98 58-03 | SPINDLE       |        |         |
| 2   | 738 21 05-04 | BALL BEARING  |        |         |
| 3   | 738 21 10-04 | BALL BEARING  |        |         |
| 4   | 735 31 40-10 | CIRCLIP       |        |         |
| 5   | 735 31 26-00 | CIRCLIP       |        |         |
| 6   | 506 98 59-01 | SWING AXLE    |        |         |
| 7   | 735 31 26-00 | CIRCLIP       |        |         |
| 8   | 506 77 34-01 | WASHER        |        |         |
| 9   | 740 68 14-21 | V-RING        |        |         |
| 10  | 535 40 60-01 | BRACKET       |        |         |
| 11  | 506 98 61-02 | GLIDLAGER     |        | 10      |
| 27  | 506 98 77-01 | BRACKET       |        |         |
| 28  | 506 56 65-01 | CLIP          |        |         |
| 29  | 725 23 64-61 | SCREW EHHFT   |        |         |
| 46  | 506 88 99-01 | HITCH         |        |         |
| 47  | 725 25 00-51 | SCREW EHHM    |        |         |
| 48  | 544 03 96-02 | COUNTERWEIGHT |        |         |



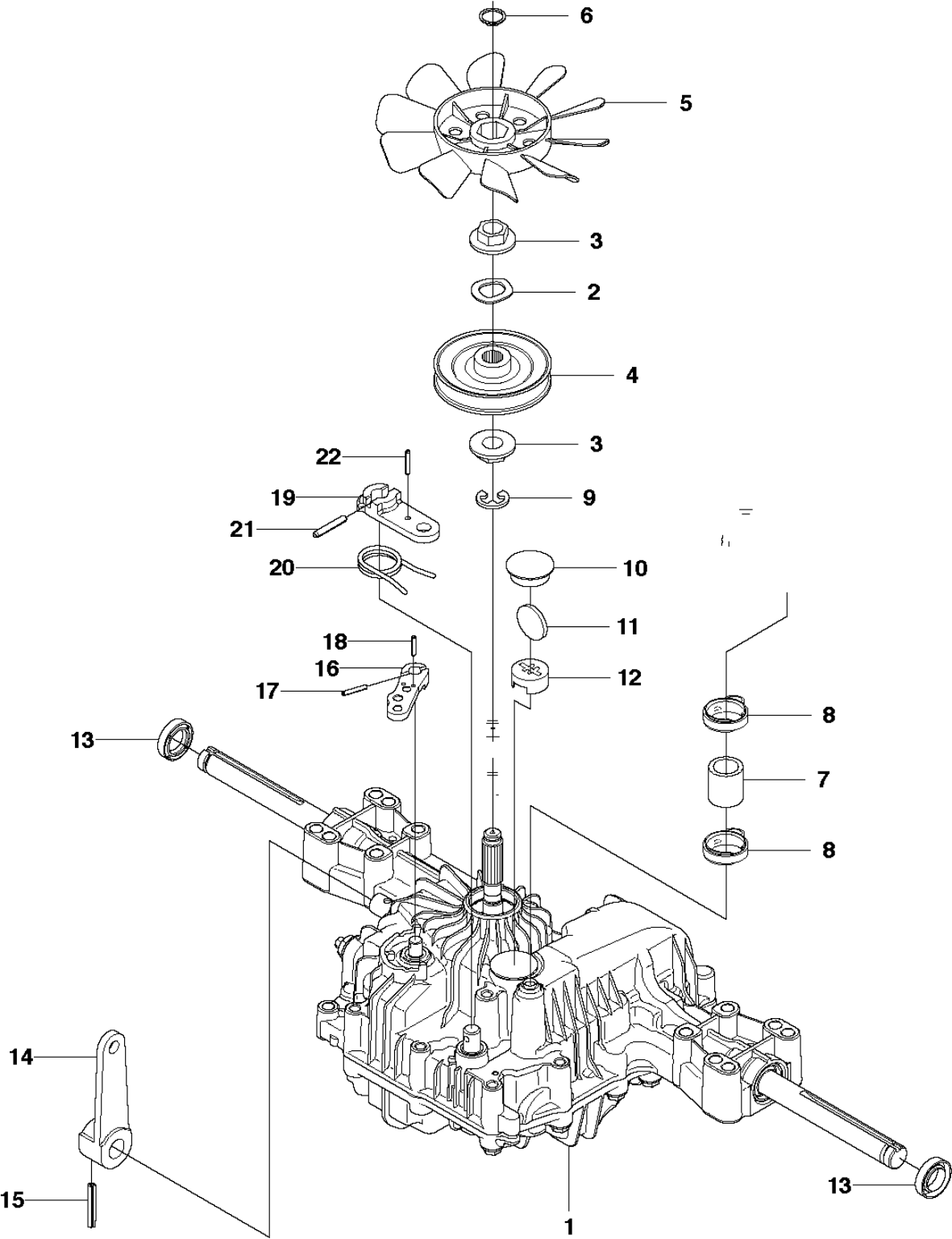


## CHASSIS REAR

RIDER 18, 966414001, 2010-03

| Ref | Part No      | Description         | Remark | QTY | KIT |
|-----|--------------|---------------------|--------|-----|-----|
| 12  | 506 98 63-01 | TRANSMISSION        |        | 1   |     |
| 13  | 506 55 83-02 | SCREW EHHFT         |        | 1   |     |
| 14  | 725 24 67-51 | SCREW EHHM          |        | 4   |     |
| 15  | 734 11 64-01 | WASHER              |        | 4   |     |
| 16  | 731 23 18-01 | HEXAGON NUT         |        | 4   |     |
| 17  | 506 98 72-01 | MOMENTFÄSTE         |        | 1   |     |
| 18  | 725 24 59-51 | SCREW EHHM          |        | 1   |     |
| 19  | 725 24 62-51 | SCREW EHHM          |        | 1   |     |
| 20  | 506 59 93-01 | LINK                |        | 1   |     |
| 21  | 731 23 18-01 | HEXAGON NUT         |        | 2   |     |
| 22  | 506 98 74-03 | LEVER               |        | 1   |     |
| 23  | 506 91 87-02 | WASHER              |        | 1   |     |
| 24  | 725 24 51-51 | SCREW               |        | 1   |     |
| 25  | 506 98 75-01 | ADJUSTMENT ROD      |        | 1   |     |
| 26  | 732 21 14-01 | LOCK NUT            |        | 2   |     |
| 30  | 506 98 82-01 | FRIKOPPLINGSSTÅNG   |        | 1   |     |
| 31  | 506 83 43-01 | SPRING              |        | 1   |     |
| 32  | 506 98 84-01 | BELT TENSIONER ASSY |        | 1   |     |
| 33  | 506 98 85-01 | BELT TENSIONER      |        | 1   | 32  |
| 34  | 506 94 69-01 | PULLEY              |        | 1   | 32  |
| 35  | 725 24 55-51 | SCREW               |        | 1   | 32  |
| 36  | 734 11 64-41 | WASHER              |        | 1   | 32  |
| 37  | 732 21 18-01 | LOCK NUT            |        | 1   | 32  |
| 38  | 506 91 87-02 | WASHER              |        | 1   |     |
| 39  | 725 24 51-51 | SCREW               |        | 1   |     |
| 40  | 506 98 86-01 | SPRING              |        | 1   |     |
| 41  | 725 24 64-51 | SCREW EHHM          |        | 1   |     |
| 42  | 506 98 88-01 | PENDULUM            |        | 1   |     |
| 43  | 731 23 20-51 | HEXAGON NUT         |        | 1   |     |
| 44  | 506 98 90-01 | EXPANSION TANK      |        | 1   |     |
| 45  | 506 98 80-01 | TANK CAP ASSY       |        | 1   |     |

R18  
HYDROSTAT

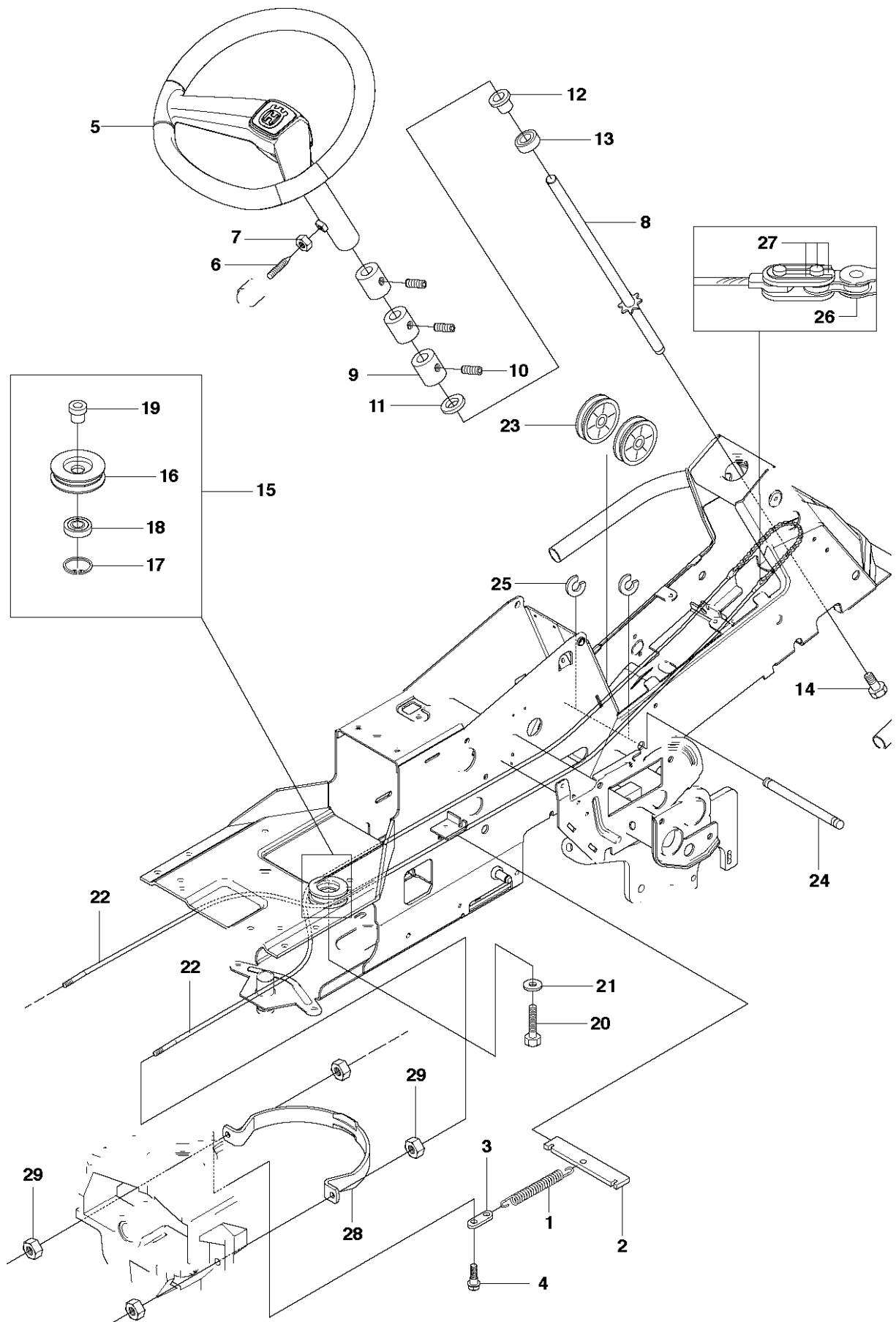


## TRANSMISSION

RIDER 18, 966414001, 2010-03

| Ref | Part No      | Description         | Remark | QTY KIT |   |
|-----|--------------|---------------------|--------|---------|---|
| 1   | 506 98 63-01 | TRANSMISSION        |        | 1       |   |
| 2   | 506 98 65-01 | SPRING WASHER       |        | 1       |   |
| 3   | 506 98 66-01 | DISTANCE            |        | 2       |   |
| 4   | 502 45 19-01 | PULLEY              |        | 1       |   |
| 5   | 506 98 68-01 | FAN                 |        | 1       |   |
| 6   | 735 31 15-00 | CIRCLIP             |        | 1       |   |
| 7   | 502 45 16-01 | TUBE                |        | 1       |   |
| 8   | 506 98 70-01 | HOSE CLAMP          |        | 2       |   |
| 9   | 535 40 28-07 | CLIP                |        | 1       | 1 |
| 10  | 535 40 28-32 | PLUG                |        | 1       | 1 |
| 11  | 535 40 28-29 | MAGNET              |        | 1       | 1 |
| 12  | 502 45 20-01 | MAGNET HOLDER       |        | 1       | 1 |
| 13  | 535 40 28-37 | SEALING             |        | 2       | 1 |
| 14  | 502 45 32-01 | CONTROL LEVER       |        | 1       | 1 |
| 15  | 535 40 28-09 | PIN RETAINING SCREW |        | 1       | 1 |
| 16  | 535 40 28-17 | LEVER               |        | 1       | 1 |
| 17  | 535 40 28-16 | PIN RETAINING SCREW |        | 1       | 1 |
| 18  | 535 40 28-33 | PIN RETAINING SCREW |        | 1       | 1 |
| 19  | 535 40 28-38 | LEVER               |        | 1       | 1 |
| 20  | 535 40 28-39 | RETURN SPRING       |        | 1       | 1 |
| 21  | 535 40 28-40 | PIN RETAINING SCREW |        | 1       | 1 |
| 22  | 535 40 28-41 | PIN RETAINING SCREW |        | 1       | 1 |

R18  
STEERING

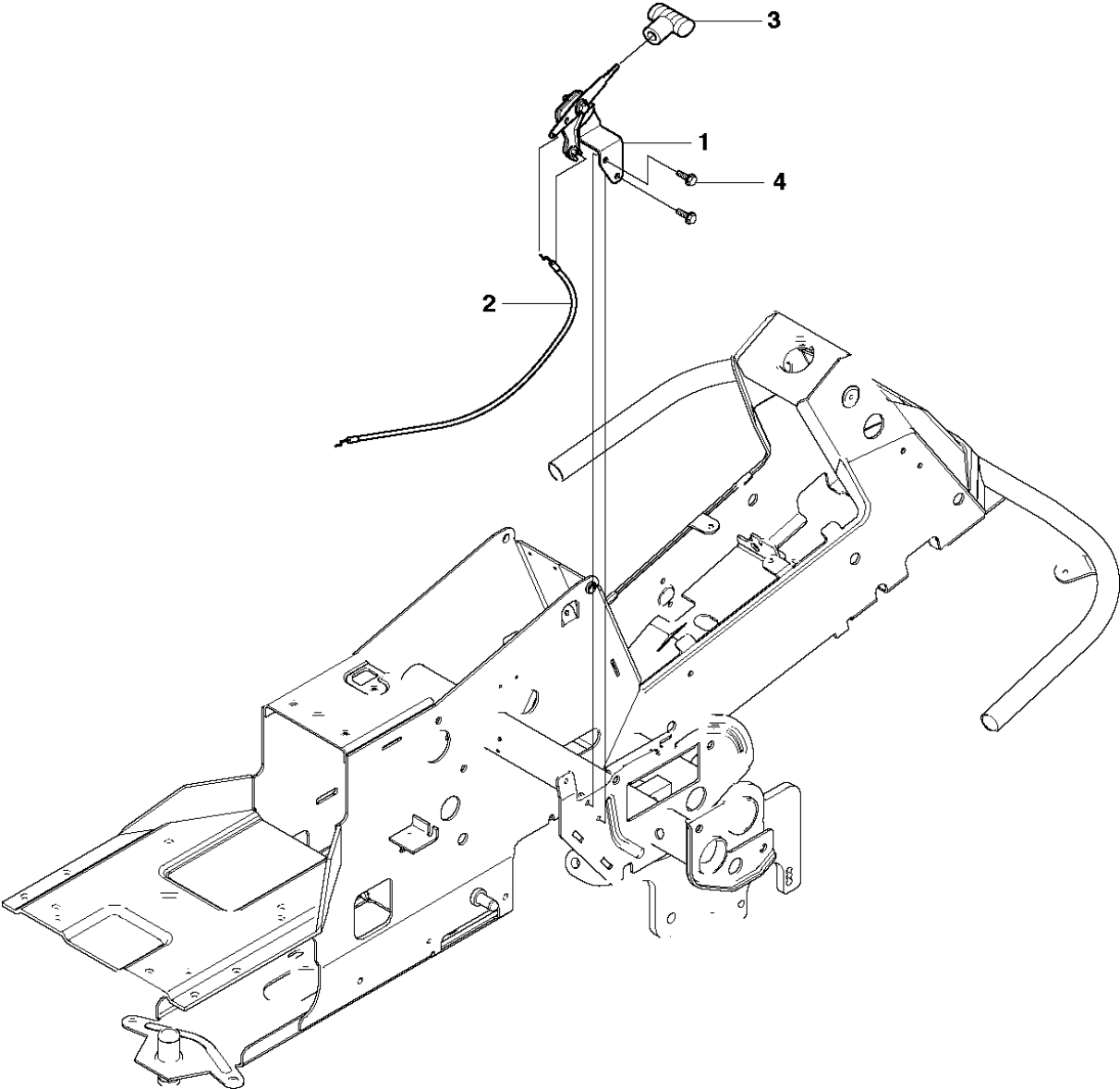


## STEERING

RIDER 18, 966414001, 2010-03

| Ref | Part No      | Description     | Remark | QTY | KIT |
|-----|--------------|-----------------|--------|-----|-----|
| 1   | 506 67 19-01 | SPRING          |        | 1   |     |
| 2   | 506 57 63-01 | SPRING RETAINER |        | 1   |     |
| 3   | 506 67 08-01 | LINK            |        | 1   |     |
| 4   | 506 59 74-01 | SCREW EHHFM     |        | 1   |     |
| 5   | 544 37 52-02 | STEERING WHEEL  |        | 1   |     |
| 6   | 728 74 55-05 | SCREW IHSETM    |        | 1   |     |
| 7   | 731 23 18-01 | HEXAGON NUT     |        | 1   |     |
| 8   | 575 63 19-01 | STEERING ROD    |        | 1   |     |
| 9   | 506 86 34-01 | DRIVER          |        | 3   |     |
| 10  | 728 84 43-05 | SCREW IHSETM    |        | 3   |     |
| 11  | 506 86 36-01 | WASHER          |        | 1   |     |
| 12  | 506 88 78-01 | SPACER          |        | 1   |     |
| 13  | 738 21 04-04 | BALL BEARING    |        | 1   |     |
| 14  | 506 57 01-04 | SCREW EHHFM     |        | 1   |     |
| 15  | 506 50 09-03 | BARRING WHEEL   |        | 1   |     |
| 16  | 535 42 41-01 | BARRING WHEEL   |        | 1   | 15  |
| 17  | 735 31 40-10 | CIRCLIP         |        | 1   | 15  |
| 18  | 738 22 04-19 | BALL BEARING    |        | 1   | 15  |
| 19  | 506 50 08-02 | BUSHING         |        | 1   | 15  |
| 20  | 506 67 54-02 | SCREW EHHFM     |        | 1   |     |
| 21  | 734 11 74-41 | WASHER          |        | 1   |     |
| 22  | 506 58 91-04 | WIRE ASSY       |        | 2   |     |
| 23  | 506 52 24-01 | STARTER PULLEY  |        | 2   |     |
| 24  | 506 53 94-02 | SHAFT           |        | 1   |     |
| 25  | 735 31 14-20 | E-CLIP          |        | 2   |     |
| 26  | 506 55 46-01 | CHAIN           |        | 1   |     |
| 27  | 506 55 47-01 | LINKAGE         |        | 2   |     |
| 28  | 544 42 73-01 | WIRE GUIDE      |        | 1   |     |
| 29  | 731 23 20-51 | HEXAGON NUT     |        | 4   |     |

R18  
CONTROLS

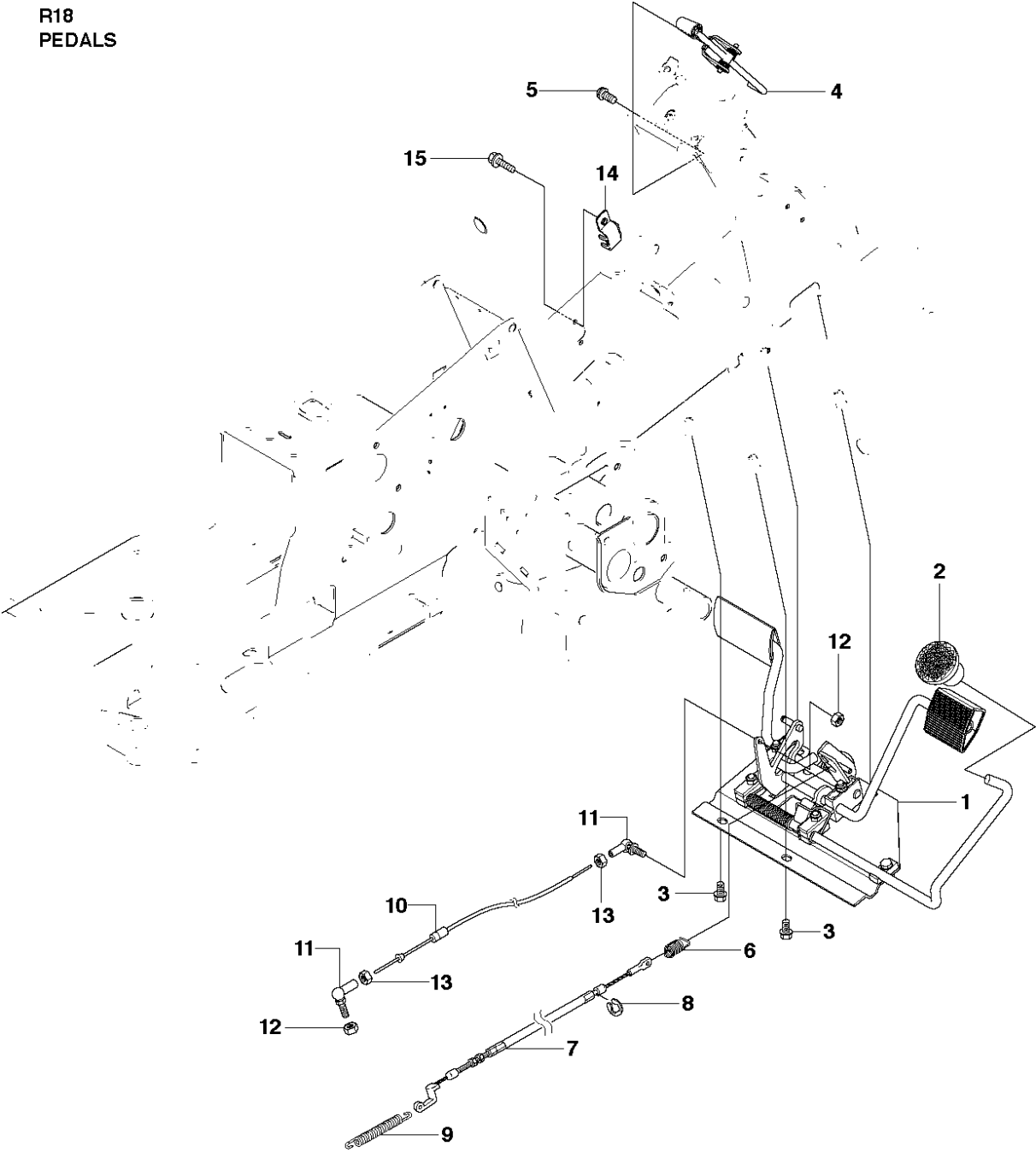


## CONTROLS

RIDER 18, 966414001, 2010-03

| Ref | Part No      | Description           | Remark | QTY KIT |
|-----|--------------|-----------------------|--------|---------|
| 1   | 544 30 15-01 | THROTTLE CONTROL ASSY |        | 1       |
| 2   | 544 30 17-01 | WIRE                  |        | 1       |
| 3   | 506 88 91-01 | KNOB                  |        | 1       |
| 4   | 725 23 64-61 | SCREW EHHFT           |        | 2       |

R18  
PEDALS

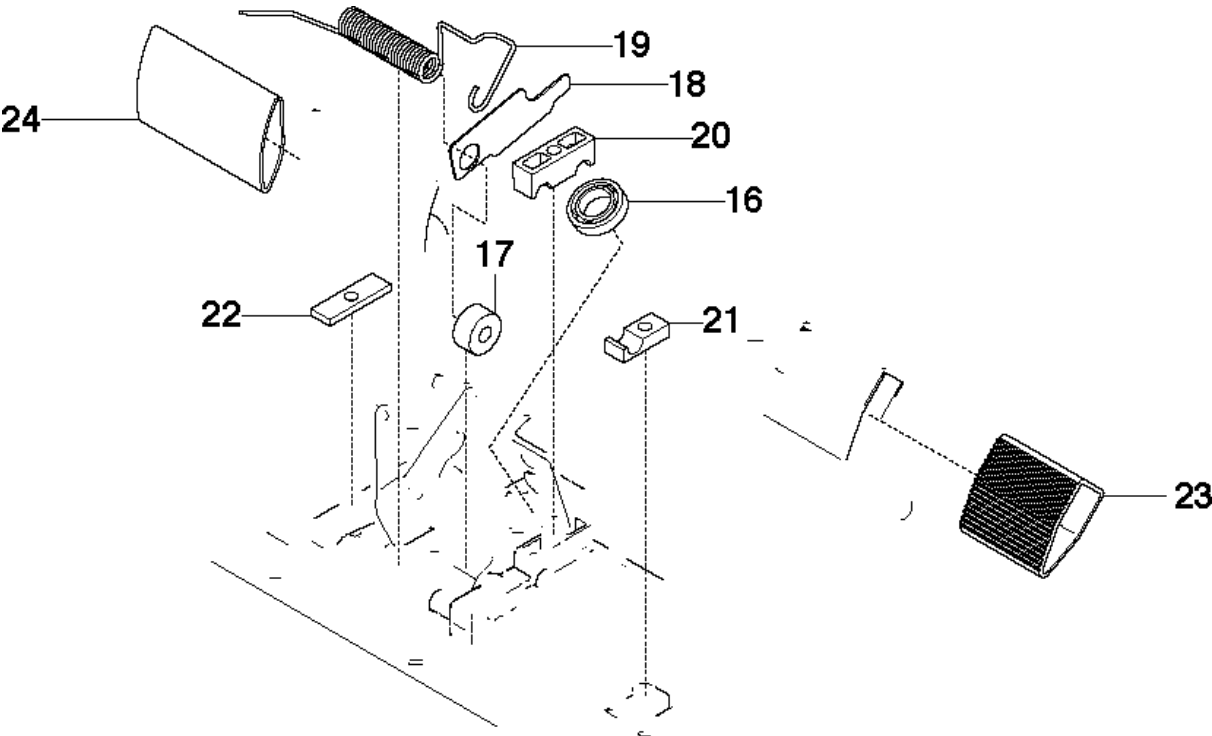




## PEDALS

RIDER 18, 966414001, 2010-03

| Ref | Part No      | Description          | Remark | QTY KIT |
|-----|--------------|----------------------|--------|---------|
| 1   | 544 12 60-01 | PEDAL PLATE ASSY     |        | 1       |
| 2   | 535 47 37-01 | KNOB                 |        | 1       |
| 3   | 506 57 01-04 | SCREW EHHFM          |        | 4       |
| 4   | 544 40 31-01 | BRAKE LEVER ASSY     |        | 1       |
| 5   | 725 23 64-61 | SCREW EHHFT          |        | 2       |
| 6   | 506 94 63-01 | BRAKE SPRING         |        | 1       |
| 7   | 506 99 27-01 | BRAKE WIRE           |        | 1       |
| 8   | 735 31 09-20 | E-CLIP               |        | 1       |
| 9   | 506 53 56-03 | DRAW SPRING          |        | 1       |
| 10  | 574 41 11-01 | CONTROL CABLE        |        | 1       |
| 11  | 506 55 73-01 | VINKELL.AS8 DIN71802 |        | 2       |
| 12  | 732 21 14-01 | LOCK NUT             |        | 2       |
| 13  | 731 23 14-01 | HEXAGON NUT          |        | 2       |
| 14  | 522 43 08-01 | BRACKET              |        | 1       |
| 15  | 725 23 64-61 | SCREW EHHFT          |        | 1       |

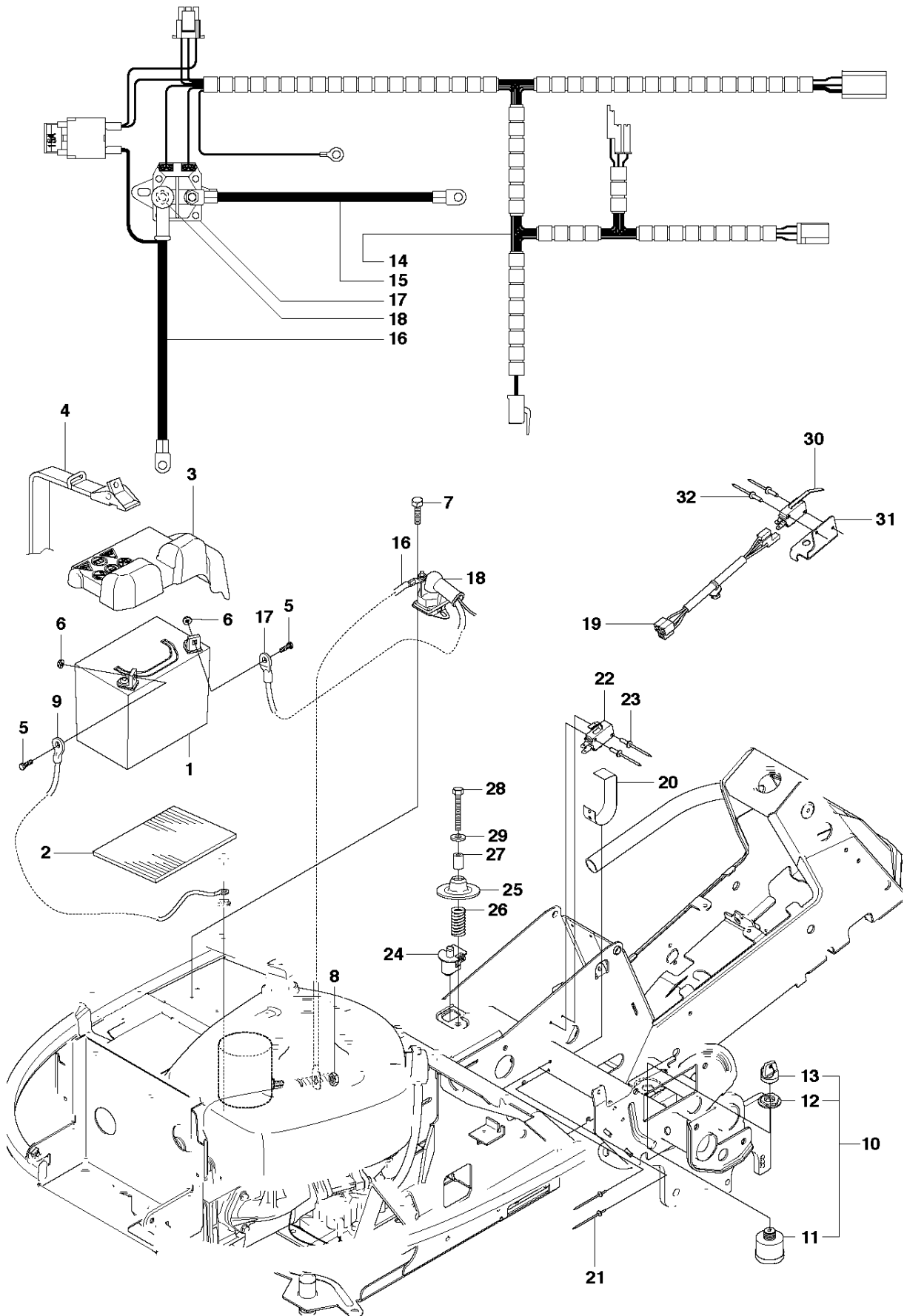


## PEDALS

RIDER 18, 966414001, 2010-03

| Ref | Part No      | Description         | Remark | QTY | KIT |
|-----|--------------|---------------------|--------|-----|-----|
| 16  | 738 21 02-04 | BALL BEARING        |        | 1   | 1   |
| 17  | 535 48 02-01 | ROLLER              |        | 1   | 1   |
| 18  | 535 48 06-01 | PROTECTIVE PLATE    |        | 1   | 1   |
| 19  | 535 48 07-01 | SPRING              |        | 1   | 1   |
| 20  | 535 48 08-01 | BEARING SUPPORT     |        | 4   | 1   |
| 21  | 535 48 09-01 | BEARING SUPPORT     |        | 1   | 1   |
| 22  | 535 48 10-01 | REINFORCEMENT PLATE |        | 1   | 1   |
| 23  | 535 47 88-01 | PEDAL RUBBER        |        | 1   | 1   |
| 24  | 535 47 88-02 | PEDAL RUBBER        |        | 1   | 1   |

R18  
ELECTRICAL

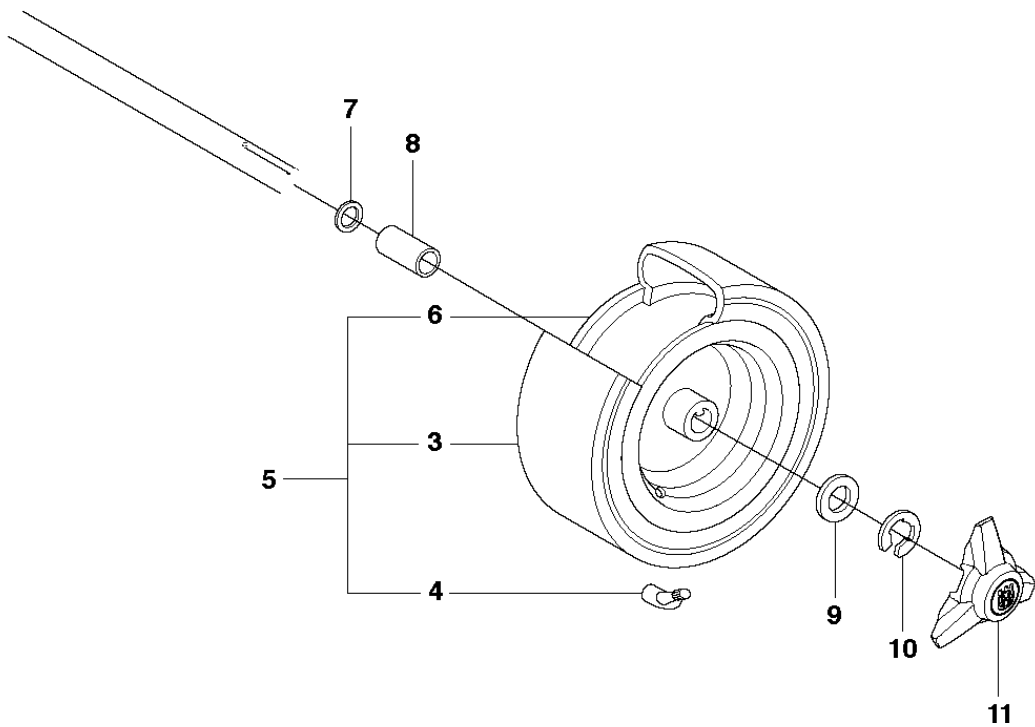
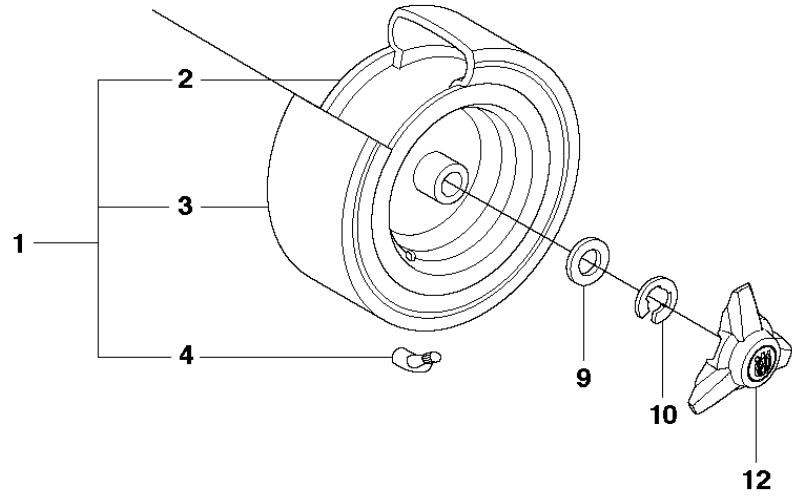
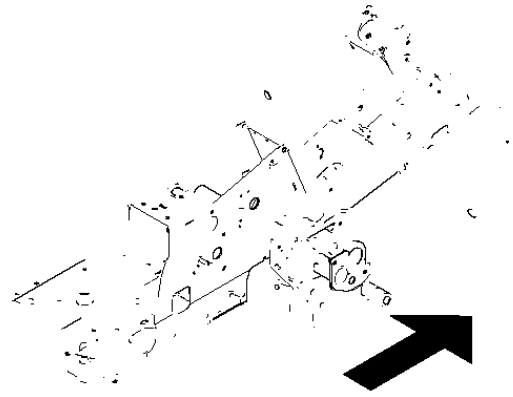


## ELECTRICAL

RIDER 18, 966414001, 2010-03

| Ref | Part No      | Description     | Remark | QTY | KIT |
|-----|--------------|-----------------|--------|-----|-----|
| 1   | 510 13 85-01 | BATTERY         |        | 1   |     |
| 2   | 535 44 11-01 | BATTERY MAT     |        | 1   |     |
| 3   | 510 02 69-01 | COVER           |        | 1   |     |
| 4   | 506 83 68-02 | BELT            |        | 1   |     |
| 5   | 522 62 21-01 | SCREW EHHM      |        | 1   |     |
| 6   | 522 62 43-01 | NUT             |        | 1   |     |
| 7   | 725 23 64-61 | SCREW EHHFT     |        | 1   |     |
| 8   | 506 89 98-01 | NUT             |        | 1   |     |
| 9   | 544 96 76-03 | CABLE           |        | 1   |     |
| 10  | 544 44 21-01 | IGNITION SWITCH |        | 1   |     |
| 11  | 544 44 22-01 | IGNITION SWITCH |        | 1   | 10  |
| 12  | 544 44 23-01 | NUT             |        | 1   | 10  |
| 13  | 544 44 24-01 | IGNITION KEY    |        | 1   | 10  |
| 14  | 544 92 63-01 | WIRING          |        | 1   |     |
| 15  | 544 92 86-01 | CABLE           |        | 1   |     |
| 16  | 544 92 61-04 | CABLE           |        | 1   |     |
| 17  | 544 43 98-01 | RELAY           |        | 1   |     |
| 18  | 506 89 98-01 | NUT             |        | 2   |     |
| 19  | 576 18 54-01 | WIRING          |        | 1   |     |
| 20  | 506 90 93-01 | PLATE SPRING    |        | 1   |     |
| 21  | 722 78 39-02 | BLIND RIVET     |        | 2   |     |
| 22  | 535 46 91-01 | SWITCH          |        | 1   |     |
| 23  | 544 44 07-01 | RIVET           |        | 2   |     |
| 24  | 506 90 96-01 | SWITCH          |        | 1   |     |
| 25  | 506 90 97-01 | SPRING WASHER   |        | 1   |     |
| 26  | 544 44 12-01 | SPRING          |        | 1   |     |
| 27  | 506 90 99-02 | SPACING TUBE    |        | 1   |     |
| 28  | 725 24 60-51 | SCREW EHHM      |        | 1   |     |
| 29  | 734 11 64-01 | WASHER          |        | 1   |     |
| 30  | 544 41 55-01 | SWITCH          |        | 1   |     |
| 31  | 544 41 57-01 | BRACKET         |        | 1   |     |
| 32  | 544 44 07-01 | RIVET           |        | 2   |     |

R18  
WHEELS & TIRES

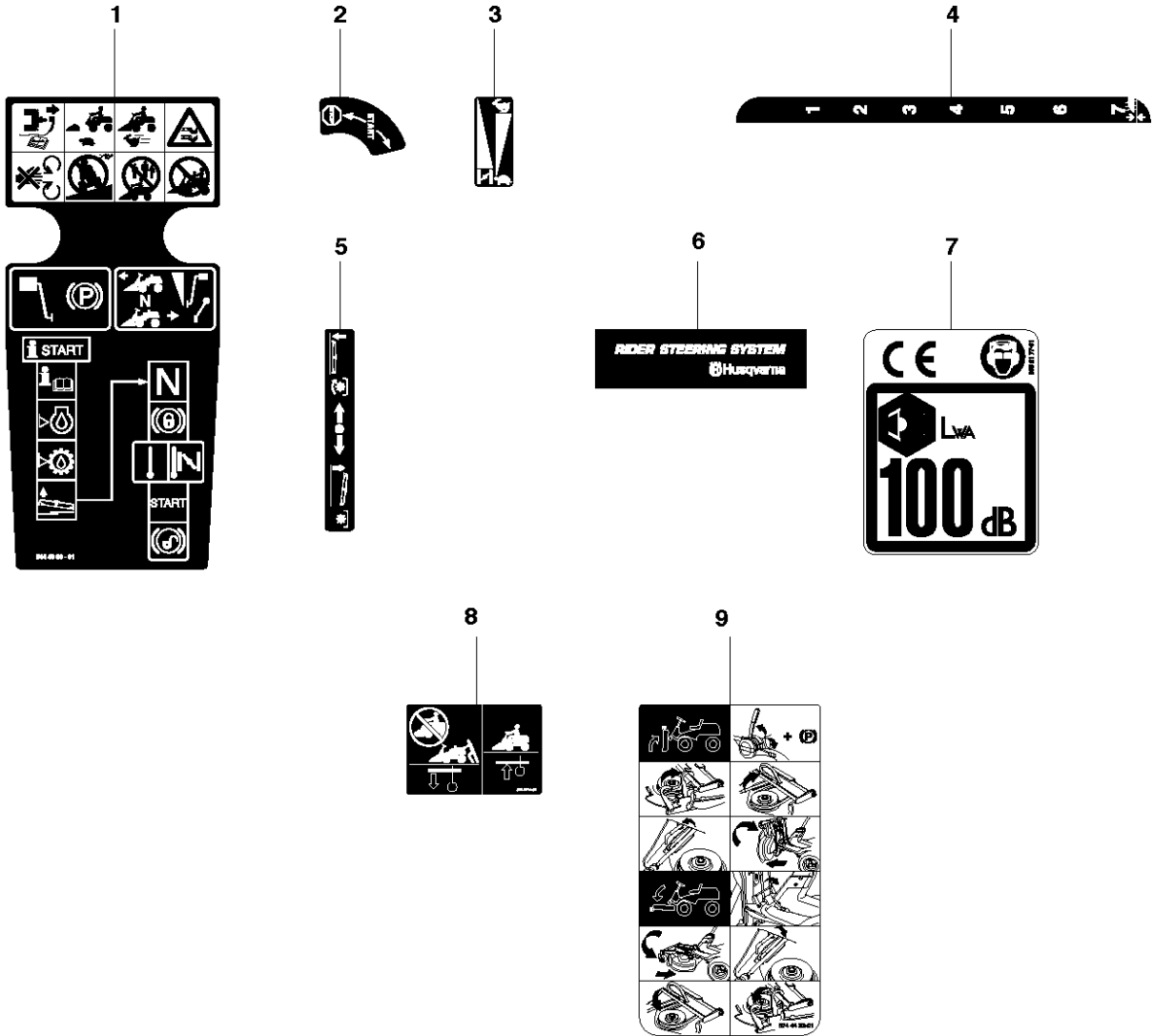


## WHEELS &amp; TIRES

RIDER 18, 966414001, 2010-03

| Ref | Part No      | Description    | Remark | QTY | KIT  |
|-----|--------------|----------------|--------|-----|------|
| 1   | 523 01 22-02 | WHEEL          |        | 2   |      |
| 2   | 523 03 45-01 | RIM            |        | 1   | 1    |
| 3   | 523 03 46-02 | TIRE           |        | 1   | 1, 5 |
| 4   | 523 03 47-01 | VALVE          |        | 1   | 1, 5 |
| 5   | 523 01 26-02 | WHEEL          |        | 2   |      |
| 6   | 523 03 48-01 | RIM            |        | 1   | 5    |
| 7   | 506 50 48-05 | WASHER         |        | 4   |      |
| 8   | 506 59 62-03 | SPACING SLEEVE |        | 2   |      |
| 9   | 506 50 48-03 | WASHER         |        | 2   |      |
| 10  | 506 89 90-01 | E-CLIP         |        | 4   |      |
| 11  | 544 35 35-02 | HUB CAP        |        | 2   |      |
| 12  | 544 35 35-01 | HUB CAP        |        | 2   |      |

**R** R18  
DECALS



10

11

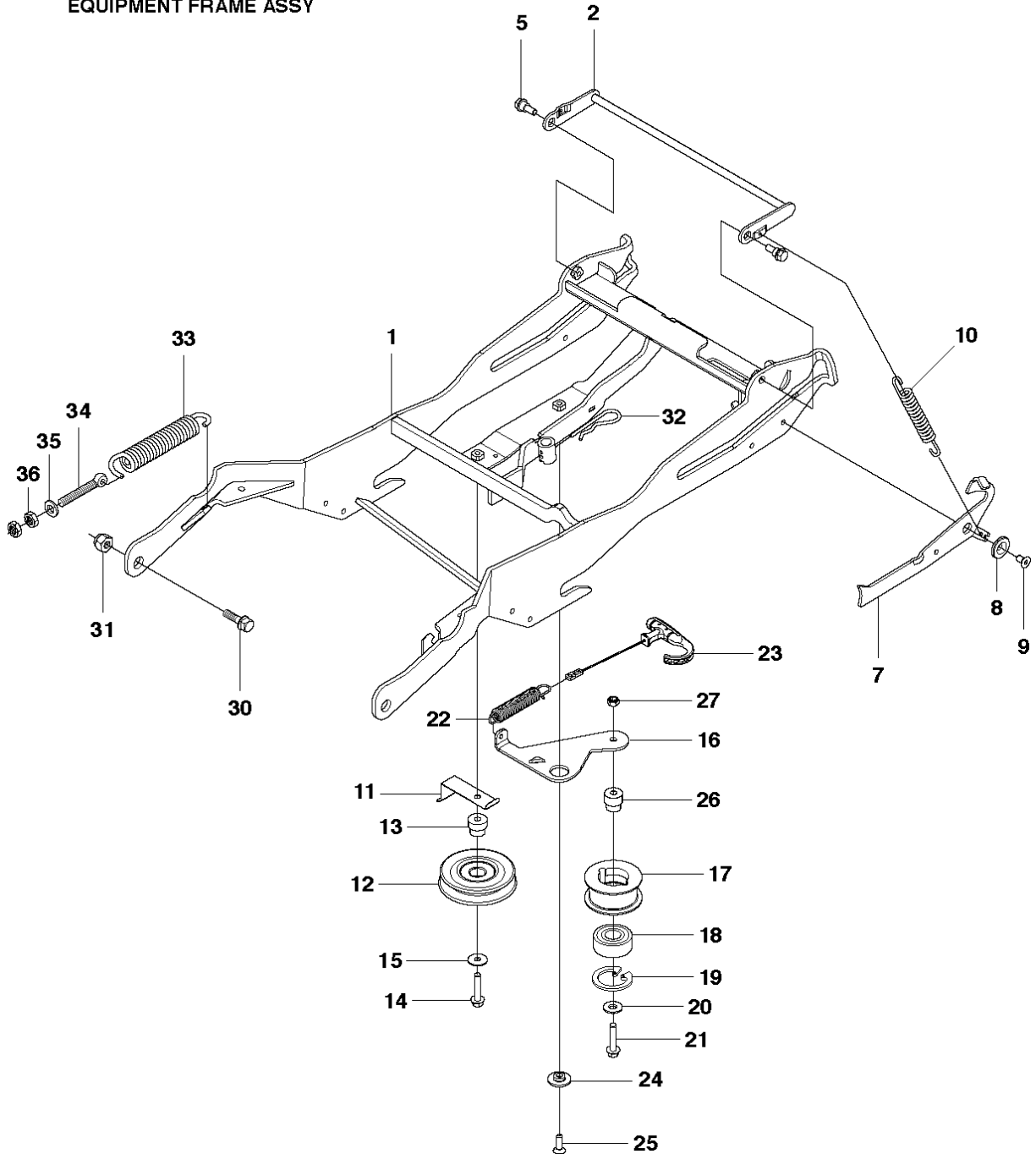


## DECALS

RIDER 18, 966414001, 2010-03

| Ref | Part No      | Description | Remark | QTY KIT |
|-----|--------------|-------------|--------|---------|
| 1   | 544 43 86-01 | LABEL       |        | 1       |
| 2   | 544 43 87-01 | LABEL       |        | 1       |
| 3   | 544 43 89-01 | LABEL       |        | 1       |
| 4   | 544 43 90-02 | LABEL       |        | 1       |
| 5   | 544 43 92-01 | LABEL       |        | 1       |
| 6   | 544 83 36-01 | LABEL       |        | 1       |
| 7   | 505 21 77-01 | LABEL       |        | 1       |
| 8   | 544 21 14-01 | LABEL       |        | 1       |
| 9   | 574 44 32-01 | LABEL       |        | 1       |
| 10  | 575 22 69-01 | DECAL       |        | 1       |
| 11  | 575 22 69-02 | DECAL       |        | 1       |

R18  
EQUIPMENT FRAME ASSY

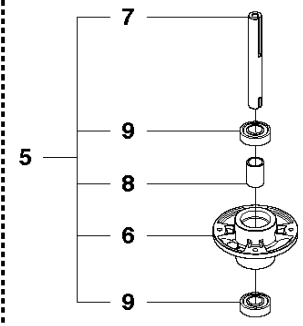
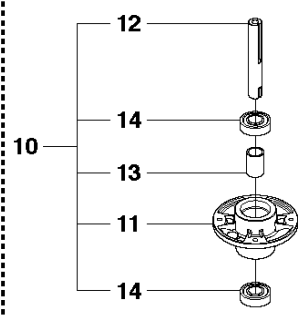
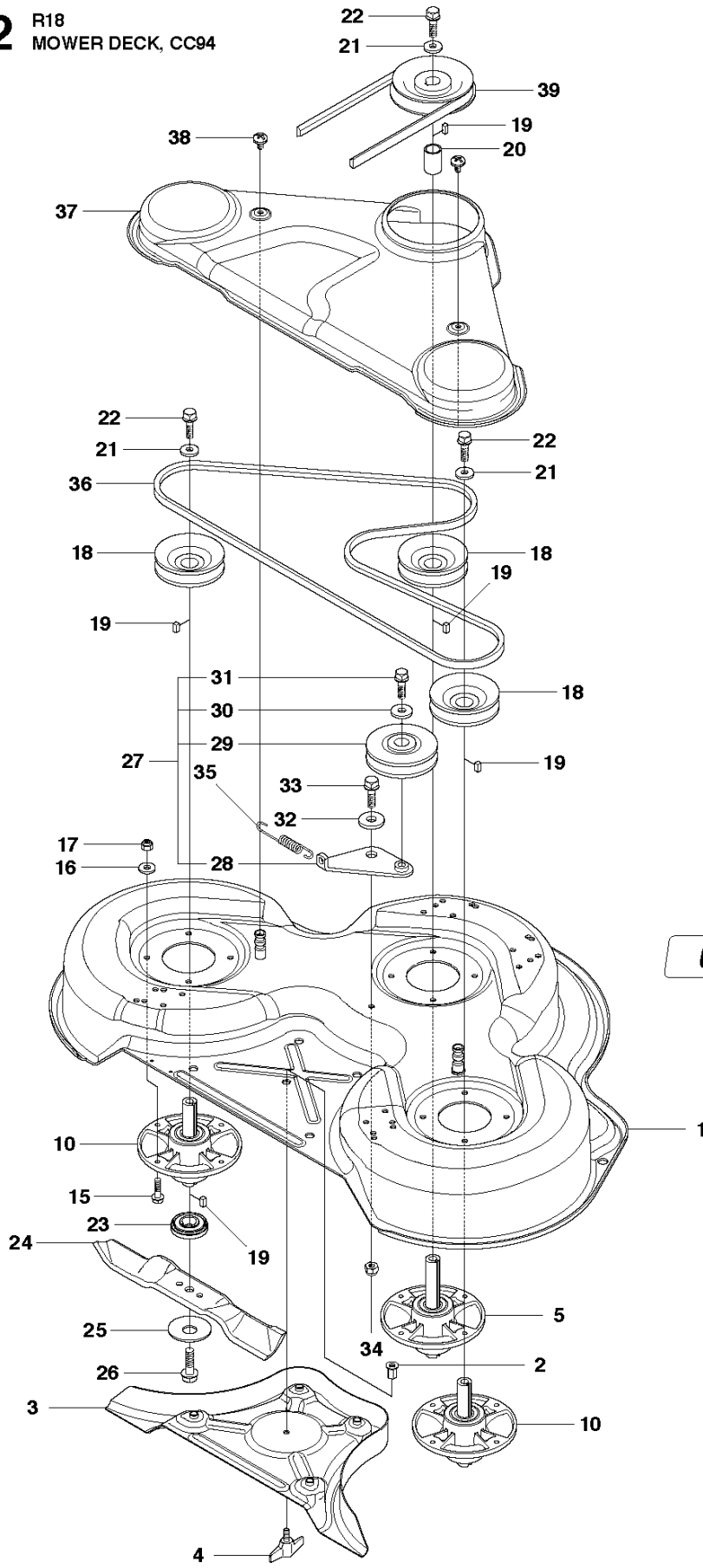


## FRAME

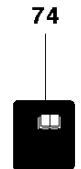
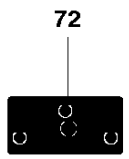
RIDER 18, 966414001, 2010-03

| Ref | Part No      | Description         | Remark | QTY KIT |
|-----|--------------|---------------------|--------|---------|
| 1   | 523 06 42-01 | EQUIPMENT FRAME     |        | 1       |
| 2   | 525 47 59-01 | HOOK                |        | 1       |
| 5   | 506 59 74-01 | SCREW EHHFM         |        | 2       |
| 7   | 523 11 66-02 | LEVER               |        | 1       |
| 8   | 506 91 87-01 | WASHER              |        | 1       |
| 9   | 725 64 48-01 | SCREW IHCSFM        |        | 1       |
| 10  | 506 53 56-03 | DRAW SPRING         |        | 1       |
| 11  | 525 48 67-01 | BELT GUIDE          |        | 1       |
| 12  | 506 97 48-01 | PULLEY              |        | 1       |
| 13  | 506 82 68-02 | BUSHING             |        | 1       |
| 14  | 725 24 59-51 | SCREW EHHM          |        | 1       |
| 15  | 734 11 64-41 | WASHER              |        | 1       |
| 16  | 523 08 37-01 | SHEET               |        | 1       |
| 17  | 506 92 89-01 | PULLEY              |        | 1       |
| 18  | 738 21 04-04 | BALL BEARING        |        | 1       |
| 19  | 735 31 38-10 | CIRCLIP             |        | 1       |
| 20  | 734 11 64-41 | WASHER              |        | 1       |
| 21  | 725 24 59-51 | SCREW EHHM          |        | 1       |
| 22  | 504 62 24-01 | SPRING              |        | 1       |
| 23  | 504 62 21-02 | HANDLE ASSY         |        | 1       |
| 24  | 505 45 17-01 | WASHER              |        | 1       |
| 25  | 725 64 53-01 | SCREW IHCSFM        |        | 1       |
| 26  | 535 48 48-01 | BUSHING             |        | 1       |
| 27  | 732 21 18-01 | LOCK NUT            |        | 1       |
| 30  | 506 89 58-01 | COLLAR SCREW        |        | 2       |
| 31  | 732 25 22-01 | HEXAGON LOCKING NUT |        | 2       |
| 32  | 506 96 66-01 | HAIR PIN COTTER     |        | 1       |
| 33  | 506 83 76-01 | SPRING              |        | 2       |
| 34  | 506 83 77-01 | RING BOLT           |        | 2       |
| 35  | 734 11 72-01 | WASHER              |        | 2       |
| 36  | 731 23 20-51 | HEXAGON NUT         |        | 4       |

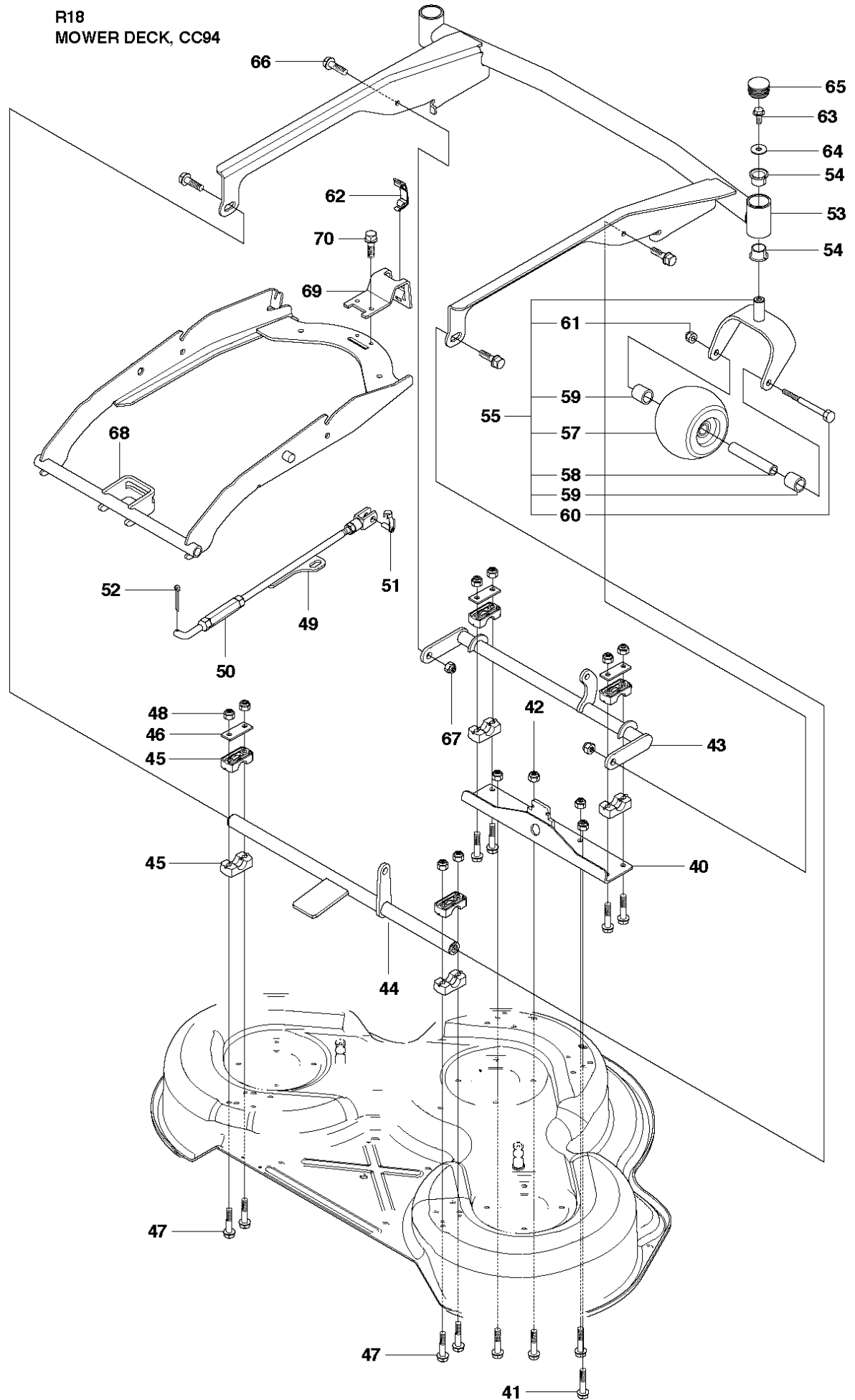
**T2** R18  
MOWER DECK, CC94



73  
**CombiClip® 94**



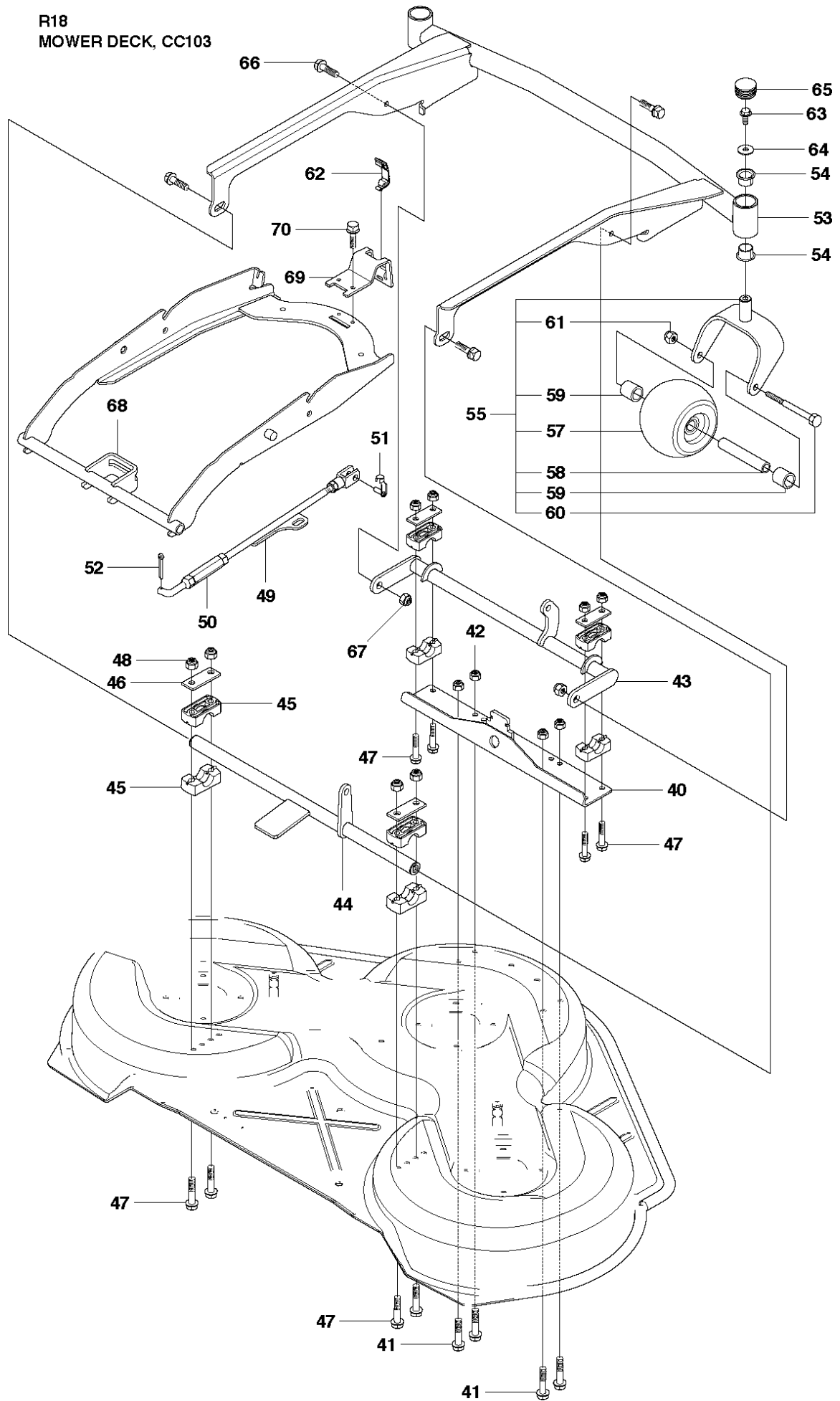
| Ref | Part No      | Description         | Remark | QTY | KIT |
|-----|--------------|---------------------|--------|-----|-----|
| 1   | 544 06 57-01 | CUTTING DECK        |        | 1   |     |
| 2   | 506 91 62-01 | NUT                 |        | 1   |     |
| 3   | 544 06 58-01 | PLUG                |        | 1   |     |
| 4   | 544 06 61-01 | KNOB                |        | 1   |     |
| 5   | 544 06 59-02 | BLADE HOUSING ASSY  |        | 1   |     |
| 6   | 544 06 78-01 | BEARING HOUSING     |        | 1   | 5   |
| 7   | 544 06 79-01 | SHAFT               |        | 1   | 5   |
| 8   | 544 06 80-01 | SPACING SLEEVE      |        | 1   | 5   |
| 9   | 738 23 04-34 | BALL BEARING        |        | 2   | 5   |
| 10  | 544 06 59-01 | BLADE HOUSING ASSY  |        | 2   |     |
| 11  | 544 06 78-01 | BEARING HOUSING     |        | 1   | 10  |
| 12  | 535 42 87-02 | SHAFT               |        | 1   | 10  |
| 13  | 535 42 88-01 | SPACER              |        | 1   | 10  |
| 14  | 738 22 05-19 | BALL BEARING        |        | 2   | 10  |
| 15  | 535 42 38-01 | SCREW RSQM          |        | 12  |     |
| 16  | 734 11 64-01 | WASHER              |        | 12  |     |
| 17  | 732 21 18-01 | LOCK NUT            |        | 12  |     |
| 18  | 506 92 21-01 | PULLEY              |        | 3   |     |
| 19  | 506 53 35-01 | PARALLEL KEY        |        | 7   |     |
| 20  | 544 06 80-02 | SPACING SLEEVE      |        | 1   |     |
| 21  | 734 11 74-41 | WASHER              |        | 3   |     |
| 22  | 544 11 41-01 | SCREW EHHM          |        | 3   |     |
| 23  | 535 50 42-02 | ADAPTER             |        | 3   |     |
| 24  | 579 65 25-10 | BLADE               |        | 3   |     |
| 25  | 506 79 23-01 | KNIFE PLATE         |        | 3   |     |
| 26  | 544 11 41-01 | SCREW EHHM          |        | 3   |     |
| 27  | 506 54 07-01 | BELT TENSIONER ASSY |        | 1   |     |
| 28  | 506 51 95-01 | SPÄNNARM KPL.       |        | 1   | 27  |
| 29  | 506 53 27-01 | PULLEY              |        | 1   | 27  |
| 30  | 734 11 64-41 | WASHER              |        | 1   | 27  |
| 31  | 506 55 83-02 | SCREW EHHFT         |        | 1   | 27  |
| 32  | 506 91 87-02 | WASHER              |        | 1   |     |
| 33  | 725 24 51-71 | SCREW EHHM          |        | 1   |     |
| 34  | 732 21 18-01 | LOCK NUT            |        | 1   |     |
| 35  | 506 53 31-01 | SPRING              |        | 1   |     |
| 36  | 589 53 07-01 | BELT                |        | 1   |     |
| 37  | 544 06 63-01 | BELT COVER          |        | 1   |     |
| 38  | 544 40 05-01 | SCREW               |        | 2   |     |
| 39  | 506 77 86-01 | PULLEY              |        | 1   |     |
| 72  | 506 78 97-01 | LABEL               |        | 1   |     |
| 73  | 574 21 03-01 | DECAL               |        | 1   |     |
| 74  | 506 92 90-01 | LABEL               |        | 1   |     |
| 76  | 574 51 00-01 | DECAL               |        | 1   |     |



## MOWER DECK / CUTTING DECK

RIDER 18, 966414001, 2010-03

| Ref | Part No      | Description       | Remark | QTY | KIT |
|-----|--------------|-------------------|--------|-----|-----|
| 40  | 523 09 53-01 | BRACKET           |        | 1   |     |
| 41  | 725 24 51-71 | SCREW EHHM        |        | 4   |     |
| 42  | 732 21 18-01 | LOCK NUT          |        | 4   |     |
| 43  | 502 64 18-02 | CROSS BAR         |        | 1   |     |
| 44  | 523 09 45-01 | CROSS BAR         |        | 1   |     |
| 45  | 506 86 96-01 | BEARING           |        | 8   |     |
| 46  | 506 81 38-01 | REINFORCING PLATE |        | 4   |     |
| 47  | 725 24 61-51 | SCREW EHHM        |        | 8   |     |
| 48  | 732 21 18-01 | LOCK NUT          |        | 8   |     |
| 49  | 523 11 42-01 | PARALLEL ROD ASSY |        | 1   |     |
| 50  | 502 64 23-01 | PARALLEL ROD      |        | 1   |     |
| 51  | 506 83 98-01 | GAFFELLÄNK        |        | 1   |     |
| 52  | 721 61 83-01 | SPLIT PIN         |        | 1   |     |
| 53  | 523 08 65-01 | DECK FRAME        |        | 1   |     |
| 54  | 574 56 19-01 | BEARING           |        | 4   |     |
| 55  | 574 21 01-01 | PIVOT WHEEL ASSY  |        | 2   |     |
| 57  | 506 96 30-01 | WHEEL ASSY        |        | 1   | 55  |
| 58  | 506 81 08-02 | TUBE              |        | 1   | 55  |
| 59  | 506 87 41-02 | SPACER            |        | 2   | 55  |
| 60  | 725 25 19-51 | SCREW EHHM        |        | 1   | 55  |
| 61  | 732 21 20-51 | NUT               |        | 1   | 55  |
| 62  | 503 89 47-03 | SNAP LOCKING      |        | 2   |     |
| 63  | 506 57 01-04 | SCREW EHHFM       |        | 2   |     |
| 64  | 734 11 64-41 | WASHER            |        | 2   |     |
| 65  | 574 03 48-01 | PLUG              |        | 2   |     |
| 66  | 506 59 74-01 | SCREW EHHFM       |        | 4   |     |
| 67  | 732 21 18-01 | LOCK NUT          |        | 2   |     |
| 68  | 523 08 75-01 | DECK ATTACHMENT   |        | 1   |     |
| 69  | 523 11 46-01 | LOCK              |        | 1   |     |
| 70  | 725 23 68-61 | SCREW EHHFT       |        | 2   |     |



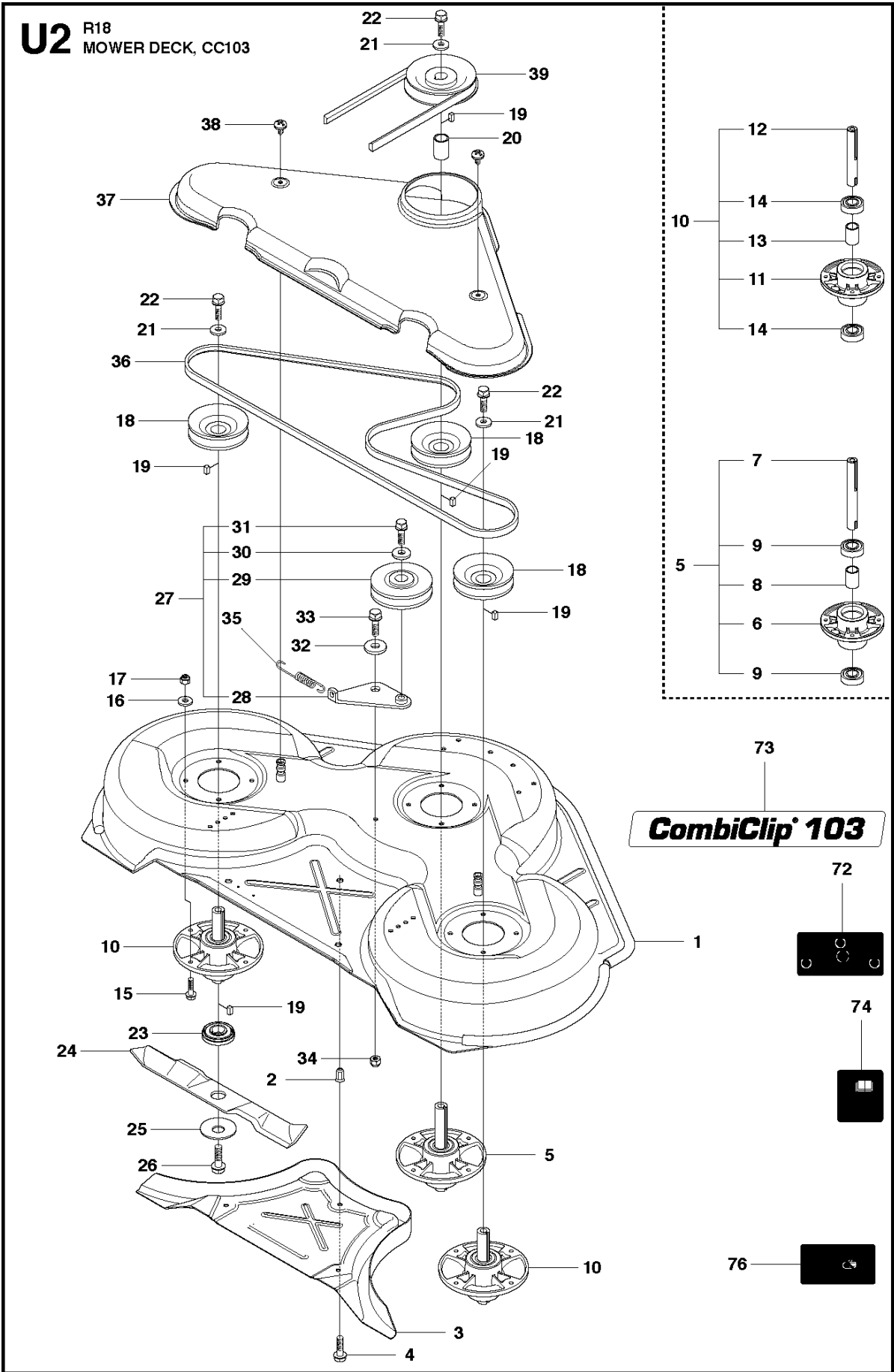


## MOWER DECK / CUTTING DECK

RIDER 18, 966414001, 2010-03

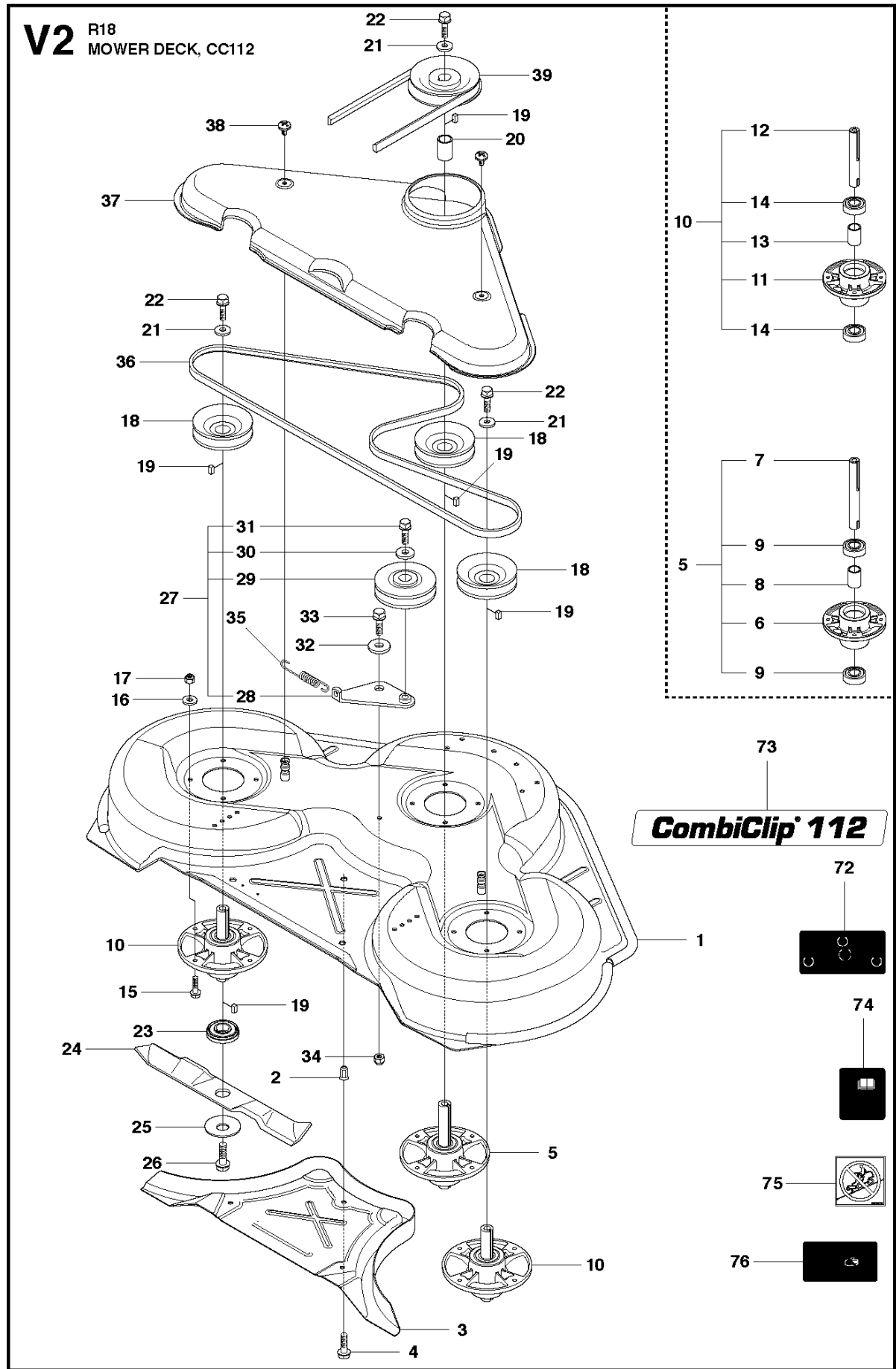
| Ref | Part No      | Description       | Remark | QTY | KIT |
|-----|--------------|-------------------|--------|-----|-----|
| 40  | 523 09 53-01 | BRACKET           |        | 1   |     |
| 41  | 725 24 51-71 | SCREW EHHM        |        | 4   |     |
| 42  | 732 21 18-01 | LOCK NUT          |        | 4   |     |
| 43  | 502 64 18-05 | CROSS BAR         |        | 1   |     |
| 44  | 523 09 45-03 | CROSS BAR         |        | 1   |     |
| 45  | 506 86 96-01 | BEARING           |        | 8   |     |
| 46  | 506 81 38-01 | REINFORCING PLATE |        | 4   |     |
| 47  | 725 24 61-51 | SCREW EHHM        |        | 8   |     |
| 48  | 732 21 18-01 | LOCK NUT          |        | 8   |     |
| 49  | 523 11 42-01 | PARALLEL ROD ASSY |        | 1   |     |
| 50  | 502 64 23-01 | PARALLEL ROD      |        | 1   |     |
| 51  | 506 83 98-01 | GAFFELLÄNK        |        | 1   |     |
| 52  | 721 61 83-01 | SPLIT PIN         |        | 1   |     |
| 53  | 523 08 65-03 | DECK FRAME        |        | 1   |     |
| 54  | 574 56 19-01 | BEARING           |        | 4   |     |
| 55  | 574 21 01-01 | PIVOT WHEEL ASSY  |        | 2   |     |
| 57  | 506 96 30-01 | WHEEL ASSY        |        | 1   | 55  |
| 58  | 506 81 08-02 | TUBE              |        | 1   | 55  |
| 59  | 506 87 41-02 | SPACER            |        | 2   | 55  |
| 60  | 725 25 19-51 | SCREW EHHM        |        | 1   | 55  |
| 61  | 732 21 20-51 | NUT               |        | 1   | 55  |
| 62  | 503 89 47-03 | SNAP LOCKING      |        | 1   |     |
| 63  | 506 57 01-04 | SCREW EHHFM       |        | 2   |     |
| 64  | 734 11 64-41 | WASHER            |        | 2   |     |
| 65  | 574 03 48-01 | PLUG              |        | 2   |     |
| 66  | 506 59 74-01 | SCREW EHHFM       |        | 4   |     |
| 67  | 732 21 18-01 | LOCK NUT          |        | 2   |     |
| 68  | 523 08 75-01 | DECK ATTACHMENT   |        | 1   |     |
| 69  | 523 11 46-01 | LOCK              |        | 1   |     |
| 70  | 725 23 68-61 | SCREW EHHFT       |        | 2   |     |

**U2** R18  
MOWER DECK, CC103

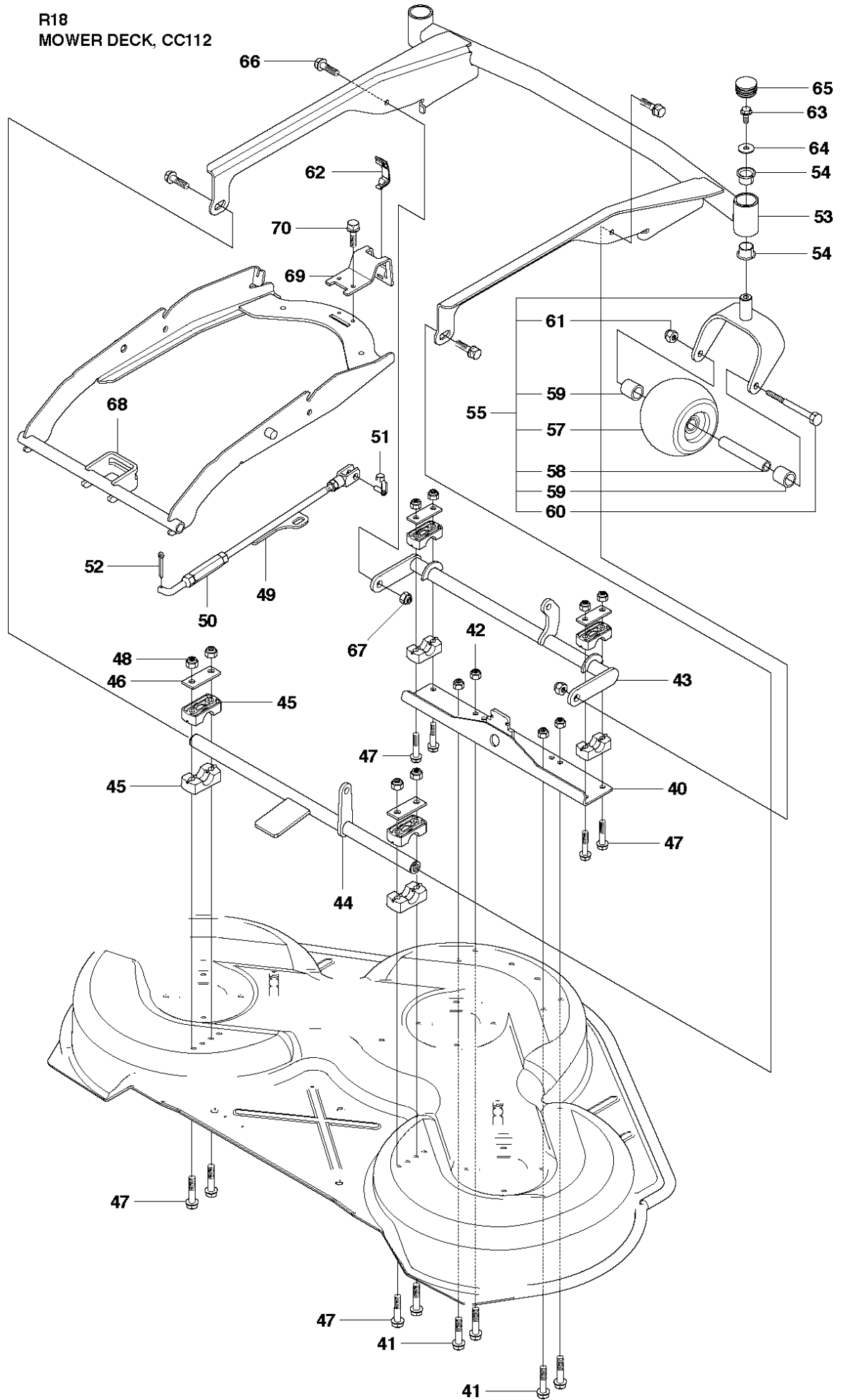


| Ref | Part No      | Description         | Remark | QTY | KIT |
|-----|--------------|---------------------|--------|-----|-----|
| 1   | 574 21 08-01 | CUTTING DECK        |        | 1   |     |
| 2   | 506 91 62-01 | NUT                 |        | 1   |     |
| 3   | 544 44 92-01 | PLUG                |        | 1   |     |
| 4   | 506 57 01-04 | SCREW EHHFM         |        | 1   |     |
| 5   | 544 06 59-02 | BLADE HOUSING ASSY  |        | 1   |     |
| 6   | 544 06 78-01 | BEARING HOUSING     |        | 1   | 5   |
| 7   | 544 06 79-01 | SHAFT               |        | 1   | 5   |
| 8   | 544 06 80-01 | SPACING SLEEVE      |        | 1   | 5   |
| 9   | 738 23 04-34 | BALL BEARING        |        | 2   | 5   |
| 10  | 544 06 59-01 | BLADE HOUSING ASSY  |        | 2   |     |
| 11  | 544 06 78-01 | BEARING HOUSING     |        | 1   | 10  |
| 12  | 535 42 87-02 | SHAFT               |        | 1   | 10  |
| 13  | 535 42 88-01 | SPACER              |        | 1   | 10  |
| 14  | 738 23 04-34 | BALL BEARING        |        | 2   | 10  |
| 15  | 535 42 38-01 | SCREW RSQM          |        | 12  |     |
| 16  | 734 11 64-01 | WASHER              |        | 12  |     |
| 17  | 732 21 18-01 | LOCK NUT            |        | 12  |     |
| 18  | 506 92 21-01 | PULLEY              |        | 3   |     |
| 19  | 506 53 35-01 | PARALLEL KEY        |        | 7   |     |
| 20  | 544 06 80-02 | SPACING SLEEVE      |        | 1   |     |
| 21  | 734 11 74-41 | WASHER              |        | 3   |     |
| 22  | 544 11 41-01 | SCREW EHHM          |        | 3   |     |
| 23  | 535 50 42-02 | ADAPTER             |        | 3   |     |
| 24  | 504 18 82-10 | BLADE               |        | 3   |     |
| 25  | 506 79 23-01 | KNIFE PLATE         |        | 3   |     |
| 26  | 544 11 41-01 | SCREW EHHM          |        | 3   |     |
| 27  | 506 54 07-01 | BELT TENSIONER ASSY |        | 1   |     |
| 28  | 506 51 95-01 | SPÄNNARM KPL.       |        | 1   | 27  |
| 29  | 506 53 27-01 | PULLEY              |        | 1   | 27  |
| 30  | 734 11 64-41 | WASHER              |        | 1   | 27  |
| 31  | 506 55 83-02 | SCREW EHHFT         |        | 1   | 27  |
| 32  | 506 91 87-02 | WASHER              |        | 1   |     |
| 33  | 725 24 51-71 | SCREW EHHM          |        | 1   |     |
| 34  | 732 21 18-01 | LOCK NUT            |        | 1   |     |
| 35  | 506 53 31-01 | SPRING              |        | 1   |     |
| 36  | 589 53 06-01 | BELT                |        | 1   |     |
| 37  | 544 09 61-01 | BELT COVER          |        | 1   |     |
| 38  | 544 40 05-01 | SCREW               |        | 2   |     |
| 39  | 506 77 86-01 | PULLEY              |        | 1   |     |
| 72  | 506 78 97-01 | LABEL               |        | 1   |     |
| 73  | 574 21 03-02 | DECAL               |        | 1   |     |
| 74  | 506 92 90-01 | LABEL               |        | 1   |     |
| 76  | 574 51 00-01 | DECAL               |        | 1   |     |

**V2** R18  
MOWER DECK, CC112



| Ref | Part No      | Description         | Remark | QTY | KIT |
|-----|--------------|---------------------|--------|-----|-----|
| 1   | 574 20 95-01 | CUTTING DECK        |        | 1   |     |
| 2   | 506 91 62-01 | NUT                 |        | 1   |     |
| 3   | 544 44 93-01 | PLUG                |        | 1   |     |
| 4   | 506 57 01-04 | SCREW EHHFM         |        | 1   |     |
| 5   | 544 06 59-02 | BLADE HOUSING ASSY  |        | 1   |     |
| 6   | 544 06 78-01 | BEARING HOUSING     |        | 1   | 5   |
| 7   | 544 06 79-01 | SHAFT               |        | 1   | 5   |
| 8   | 544 06 80-01 | SPACING SLEEVE      |        | 1   | 5   |
| 9   | 738 23 04-34 | BALL BEARING        |        | 2   | 5   |
| 10  | 544 06 59-01 | BLADE HOUSING ASSY  |        | 2   |     |
| 11  | 544 06 78-01 | BEARING HOUSING     |        | 1   | 10  |
| 12  | 535 42 87-02 | SHAFT               |        | 1   | 10  |
| 13  | 535 42 88-01 | SPACER              |        | 1   | 10  |
| 14  | 738 23 04-34 | BALL BEARING        |        | 2   | 10  |
| 15  | 535 42 38-01 | SCREW RSQM          |        | 12  |     |
| 16  | 734 11 64-01 | WASHER              |        | 12  |     |
| 17  | 732 21 18-01 | LOCK NUT            |        | 12  |     |
| 18  | 506 92 21-01 | PULLEY              |        | 3   |     |
| 19  | 506 53 35-01 | PARALLEL KEY        |        | 7   |     |
| 20  | 544 06 80-02 | SPACING SLEEVE      |        | 1   |     |
| 21  | 734 11 74-41 | WASHER              |        | 3   |     |
| 22  | 544 11 41-01 | SCREW EHHM          |        | 3   |     |
| 23  | 535 50 42-02 | ADAPTER             |        | 3   |     |
| 24  | 504 18 81-10 | BLADE               |        | 3   |     |
| 25  | 506 79 23-01 | KNIFE PLATE         |        | 3   |     |
| 26  | 544 11 41-01 | SCREW EHHM          |        | 3   |     |
| 27  | 506 54 07-01 | BELT TENSIONER ASSY |        | 1   |     |
| 28  | 506 51 95-01 | SPÄNNARM KPL.       |        | 1   | 27  |
| 29  | 506 53 27-01 | PULLEY              |        | 1   | 27  |
| 30  | 734 11 64-41 | WASHER              |        | 1   | 27  |
| 31  | 506 55 83-02 | SCREW EHHFT         |        | 1   | 27  |
| 32  | 506 91 87-02 | WASHER              |        | 1   |     |
| 33  | 725 24 51-71 | SCREW EHHM          |        | 1   |     |
| 34  | 732 21 18-01 | LOCK NUT            |        | 1   |     |
| 35  | 506 53 31-01 | SPRING              |        | 1   |     |
| 36  | 535 41 19-01 | BELT                |        | 1   |     |
| 37  | 544 09 62-01 | BELT COVER          |        | 1   |     |
| 38  | 544 40 05-01 | SCREW               |        | 2   |     |
| 39  | 506 77 86-01 | PULLEY              |        | 1   |     |
| 72  | 506 78 97-01 | LABEL               |        | 1   |     |
| 73  | 574 21 03-03 | DECAL               |        | 1   |     |
| 74  | 506 92 90-01 | LABEL               |        | 1   |     |
| 76  | 574 51 00-01 | DECAL               |        | 1   |     |



## MOWER DECK / CUTTING DECK

RIDER 18, 966414001, 2010-03

| Ref | Part No      | Description       | Remark | QTY | KIT |
|-----|--------------|-------------------|--------|-----|-----|
| 40  | 523 09 53-01 | BRACKET           |        | 1   |     |
| 41  | 725 24 51-71 | SCREW EHHM        |        | 4   |     |
| 42  | 732 21 18-01 | LOCK NUT          |        | 4   |     |
| 43  | 502 64 18-02 | CROSS BAR         |        | 1   |     |
| 44  | 523 09 45-03 | CROSS BAR         |        | 1   |     |
| 45  | 506 86 96-01 | BEARING           |        | 8   |     |
| 46  | 506 81 38-01 | REINFORCING PLATE |        | 4   |     |
| 47  | 725 24 61-51 | SCREW EHHM        |        | 8   |     |
| 48  | 732 21 18-01 | LOCK NUT          |        | 8   |     |
| 49  | 523 11 42-01 | PARALLEL ROD ASSY |        | 1   |     |
| 50  | 502 64 23-01 | PARALLEL ROD      |        | 1   |     |
| 51  | 506 83 98-01 | GAFFELLÄNK        |        | 1   |     |
| 52  | 721 61 83-01 | SPLIT PIN         |        | 1   |     |
| 53  | 523 08 65-03 | DECK FRAME        |        | 1   |     |
| 54  | 574 56 19-01 | BEARING           |        | 4   |     |
| 55  | 574 21 01-01 | PIVOT WHEEL ASSY  |        | 2   |     |
| 57  | 506 96 30-01 | WHEEL ASSY        |        | 1   | 55  |
| 58  | 506 81 08-02 | TUBE              |        | 1   | 55  |
| 59  | 506 87 41-02 | SPACER            |        | 2   | 55  |
| 60  | 725 25 19-51 | SCREW EHHM        |        | 1   | 55  |
| 61  | 732 21 20-51 | NUT               |        | 1   | 55  |
| 62  | 503 89 47-03 | SNAP LOCKING      |        | 1   |     |
| 63  | 506 57 01-04 | SCREW EHHFM       |        | 2   |     |
| 64  | 734 11 64-41 | WASHER            |        | 2   |     |
| 65  | 574 03 48-01 | PLUG              |        | 2   |     |
| 66  | 506 59 74-01 | SCREW EHHFM       |        | 4   |     |
| 67  | 732 21 18-01 | LOCK NUT          |        | 2   |     |
| 68  | 523 08 75-01 | DECK ATTACHMENT   |        | 1   |     |
| 69  | 523 11 46-01 | LOCK              |        | 1   |     |
| 70  | 725 23 68-61 | SCREW EHHFT       |        | 2   |     |