

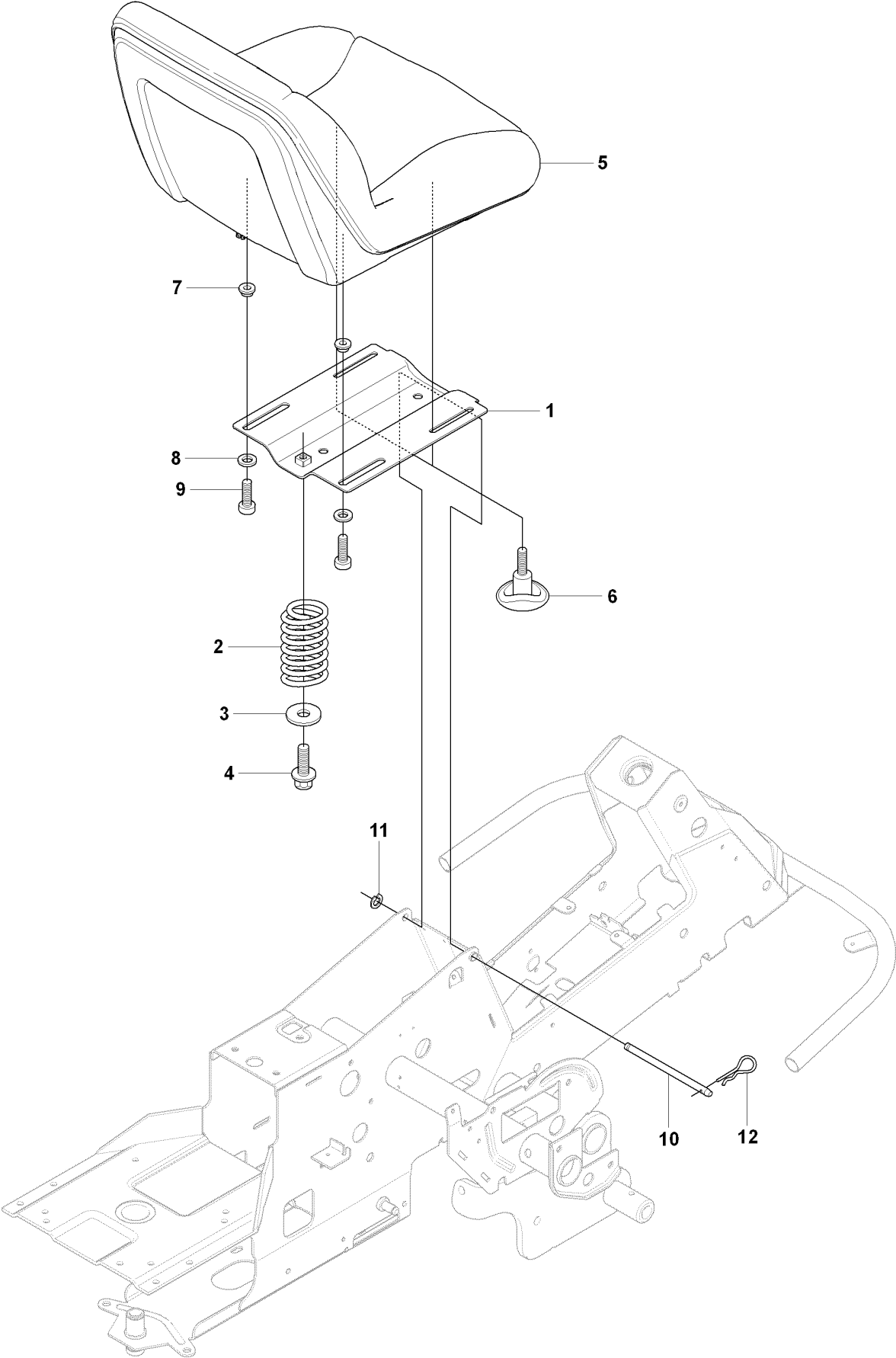


# SPARE PARTS LIST

RIDERS

RIDER 175, 965104901, 2009-04

**A** RIDER R175  
SEAT, TS2500

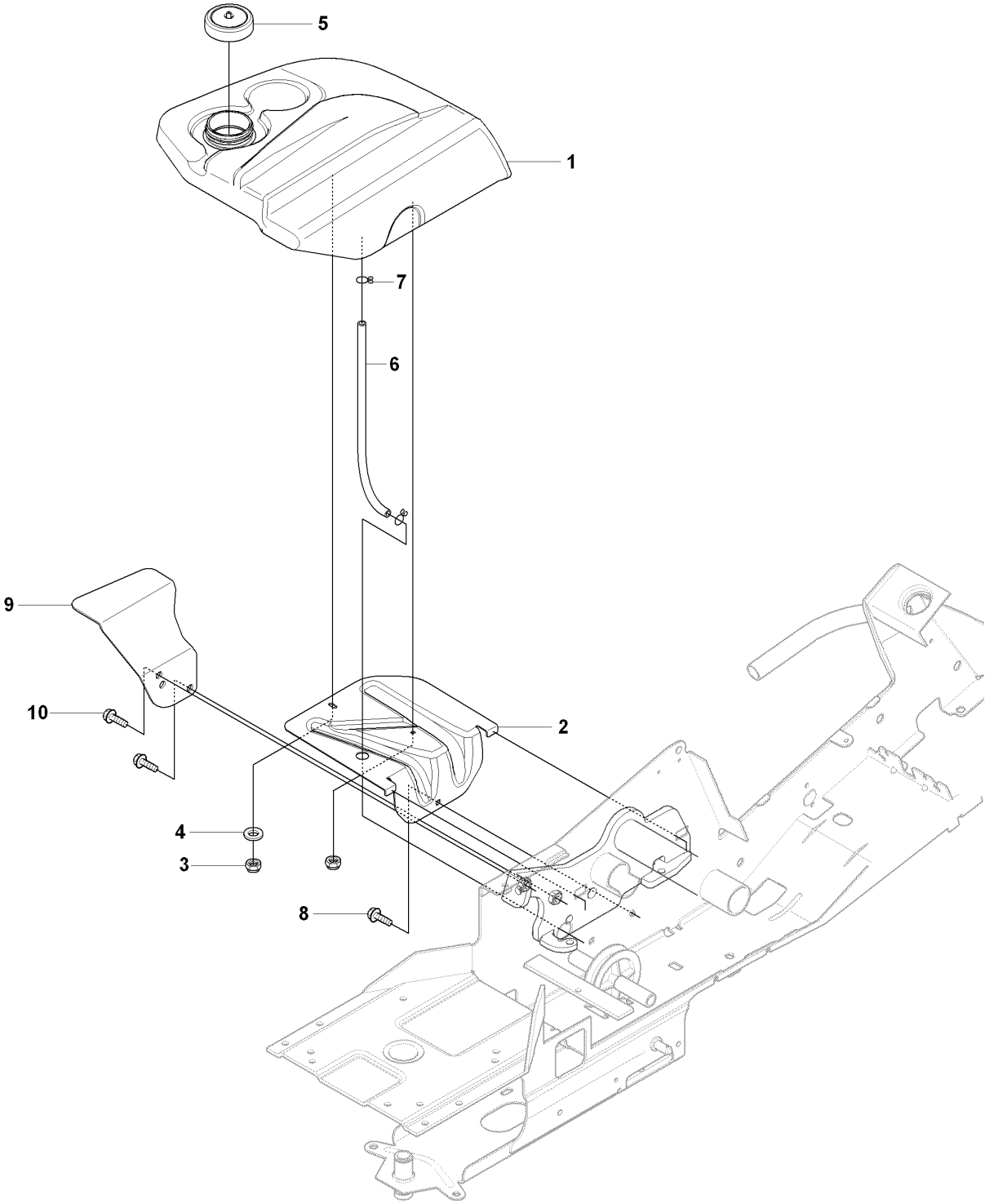


## SEAT

RIDER 175, 965104901, 2009-04

Ref	Part No	Description	Remark	QTY KIT
1	544 32 85-03	SEAT BRACKET		1
2	506 91 53-01	COMPRESSION SPRING		1
3	734 11 74-41	WASHER		1
4	725 24 93-71	SCREW EHHM		1
5	544 43 33-01	SEAT		1
6	506 56 55-01	JUSTERVRED		2
7	506 56 53-01	BUSHING		2
8	734 11 64-41	WASHER		2
9	506 55 63-01	SCREW UNC		2
10	506 50 99-01	SHAFT		1
11	735 31 12-00	CIRCLIP		1
12	506 66 88-01	SPRING COTTER		1

**B** RIDER R175  
FUEL SYSTEM

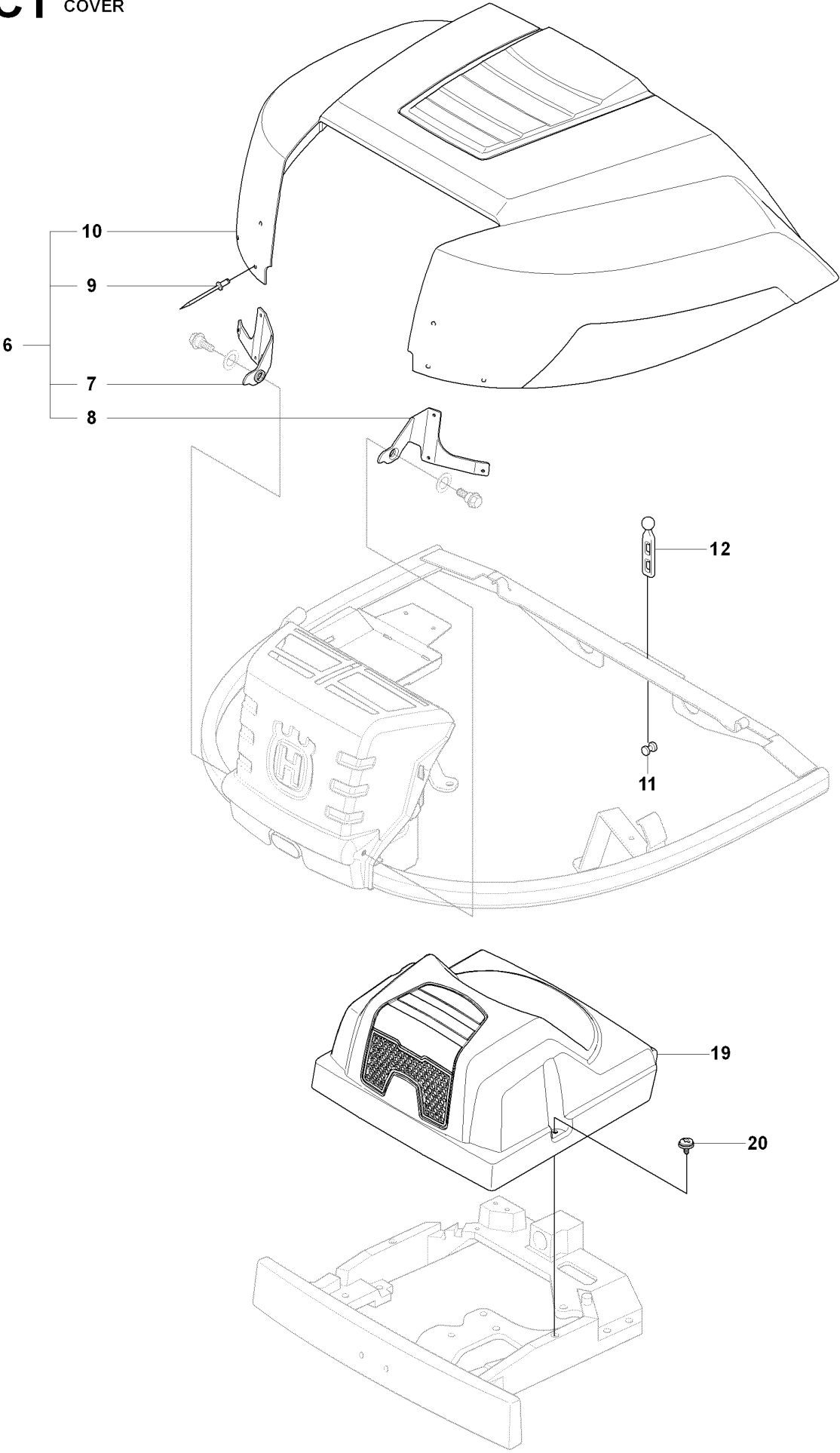


## FUEL SYSTEM

RIDER 175, 965104901, 2009-04

Ref	Part No	Description	Remark	QTY KIT
1	535 50 13-01	FUEL TANK		1
2	544 32 93-01	BRACKET		1
3	732 21 16-01	LOCK NUT		2
4	734 11 56-01	WASHER		1
5	506 67 33-01	TANK CAP ASSY		1
6	506 94 67-07	FUEL HOSE		1
7	535 46 97-01	HOSE BRACE		2
8	725 23 64-61	SCREW EHHFT		1
9	501 02 03-01	SUPPORT		1
10	725 24 93-71	SCREW EHHM		2

**C1** RIDER R175  
COVER

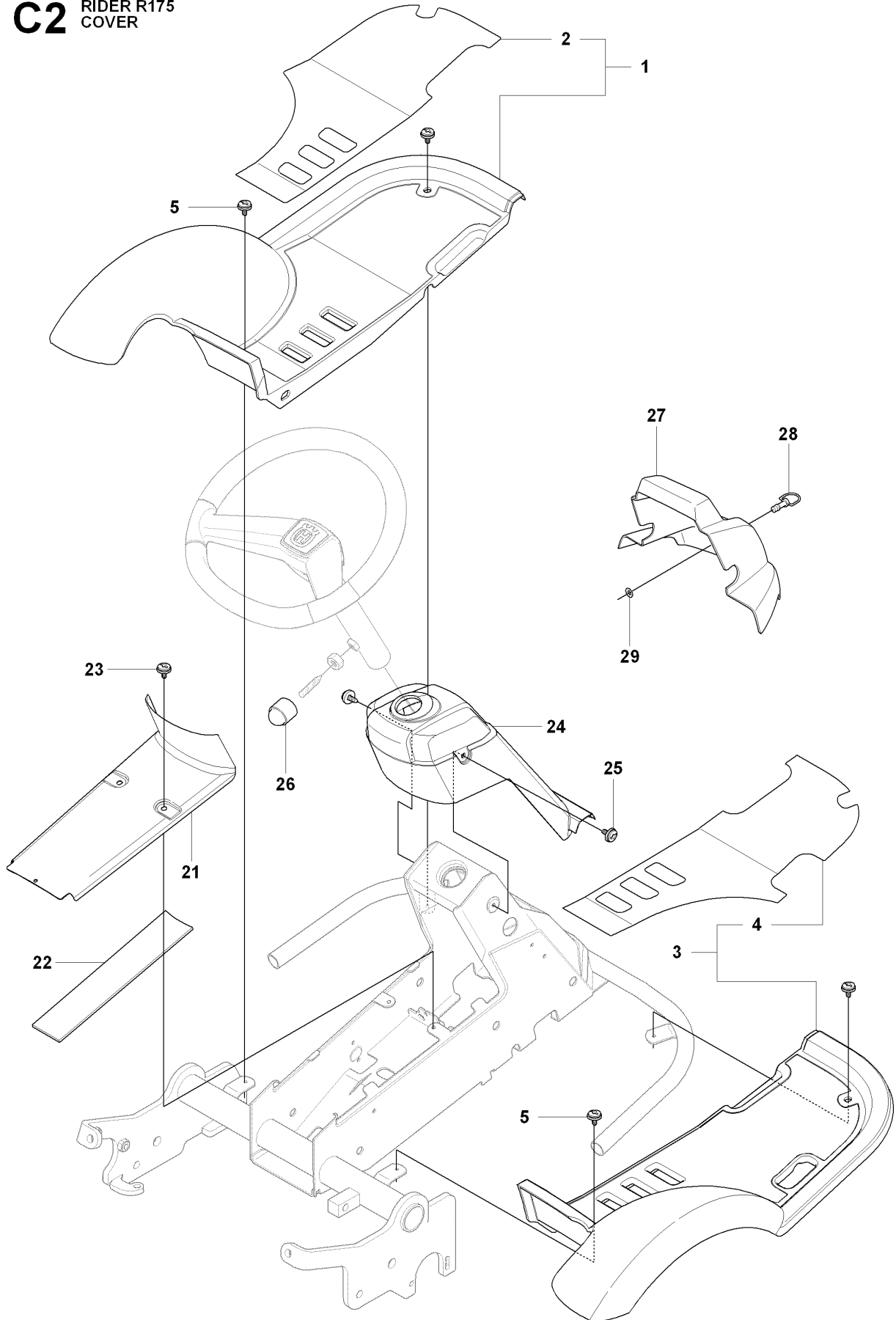


## HOOD

RIDER 175, 965104901, 2009-04

Ref	Part No	Description	Remark	QTY KIT
6	544 24 50-02	ENGINE HOOD ASSY		1
7	544 24 51-01	HINGE		1
8	544 24 51-02	HINGE		1
9	722 79 54-02	RIVET		6
10	544 24 52-02	ENGINE HOOD ASSY		1
11	506 59 95-01	BUTTON		1
12	506 59 96-01	GUMMISTROPP		1
19	544 37 39-01	COVER		1
20	544 40 05-01	SCREW		2

**C2** RIDER R175  
COVER



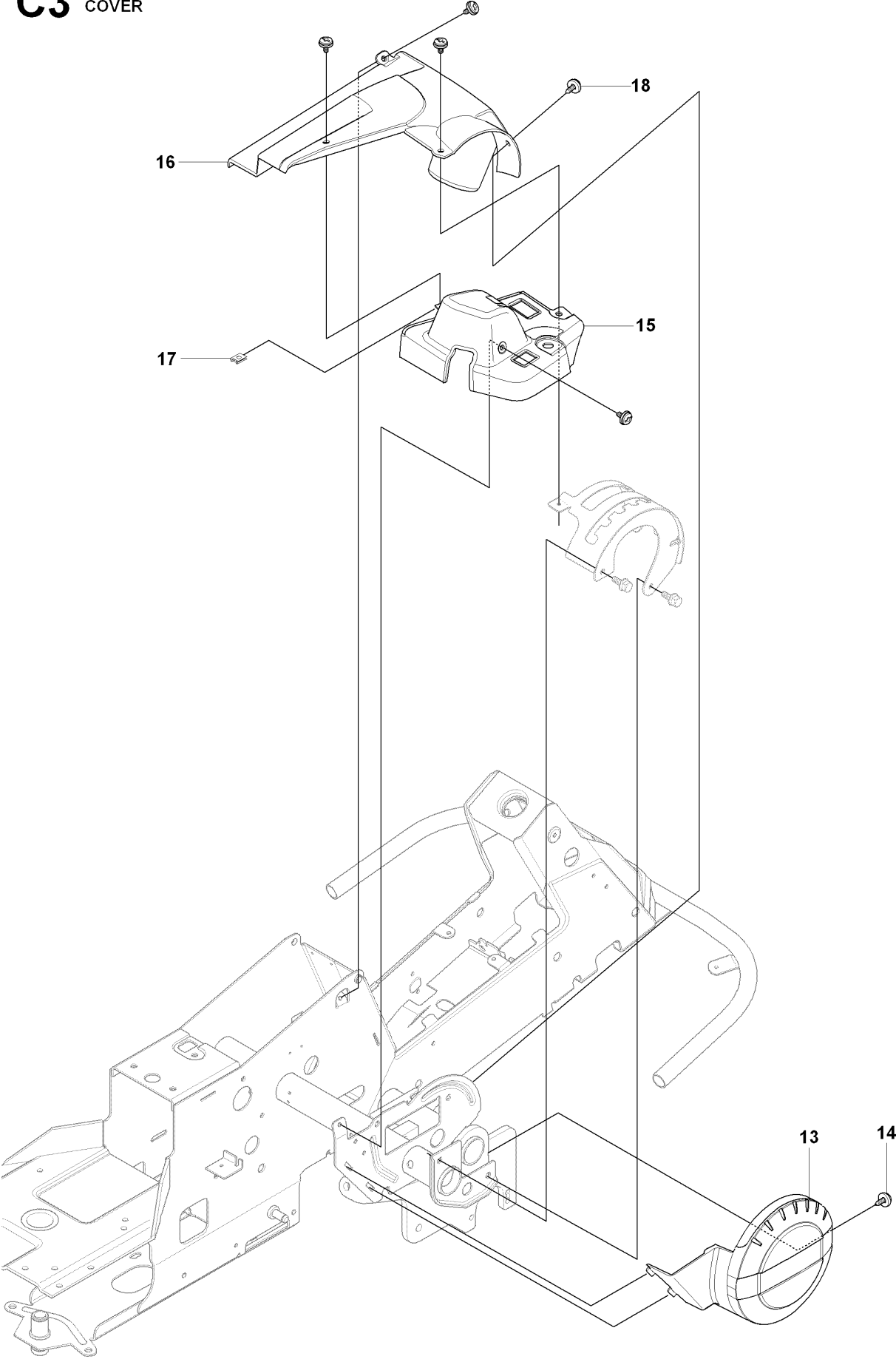


## COVER

RIDER 175, 965104901, 2009-04

Ref	Part No	Description	Remark	QTY KIT
1	544 89 59-01	FOOT PLATE		1
2	544 24 84-01	MAT		1
3	544 89 59-03	FOOT PLATE		1
4	544 24 84-03	MAT		1
5	544 40 05-01	SCREW		4
21	544 23 92-01	COVER		1
22	544 42 75-01	MAT		1
23	544 40 05-01	SCREW		2
24	544 32 65-01	COVER		1
25	544 40 05-01	SCREW		2
26	544 43 32-01	PROTECTIVE COVER		1
27	535 43 39-01	COVER		1
28	525 39 06-01	LOCK		1
29	506 96 36-01	WASHER		1

**C3** RIDER R175  
COVER

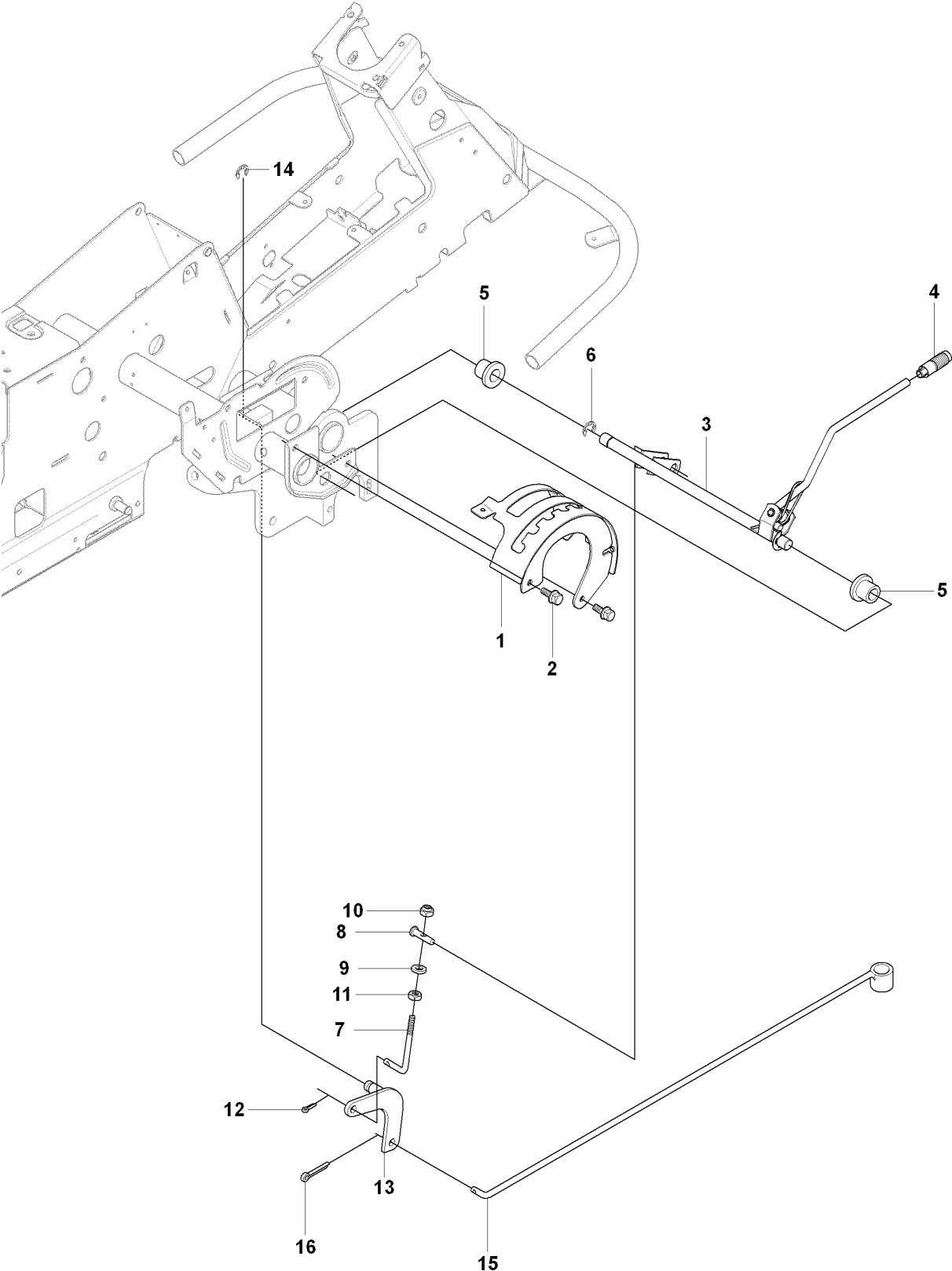


## COVER

RIDER 175, 965104901, 2009-04

Ref	Part No	Description	Remark	QTY KIT
13	535 50 25-01	CONTROL COVER		1
14	544 40 05-01	SCREW		1
15	544 33 21-03	CONTROL COVER		1
16	544 33 22-02	COVER		1
17	535 42 91-01	SPRING NUT		1
18	544 40 05-01	SCREW		4

**D** RIDER R175  
HEIGHT ADJUSTMENT



## HEIGHT ADJUSTMENT

RIDER 175, 965104901, 2009-04

Ref	Part No	Description	Remark	QTY KIT
1	535 50 14-01	CONTROL PLATE		1
2	506 57 01-03	SCREW EHHFM		2
3	504 73 45-01	ADJUSTER		1
4	506 54 20-01	HANDLE		1
5	506 55 43-01	BEARING		2
6	735 31 22-20	E-CLIP		1
7	506 90 82-01	HEIGHT ROD		1
8	506 78 46-01	PEN		1
9	734 11 72-01	WASHER		1
10	732 21 18-01	LOCK NUT		1
11	731 23 18-01	HEXAGON NUT		1
12	721 61 83-01	SPLIT PIN		1
13	506 99 83-01	LINK ASSY		1
14	735 31 15-20	E-CLIP		1
15	506 97 51-01	CONNECTOR		1
16	721 61 83-01	SPLIT PIN		1

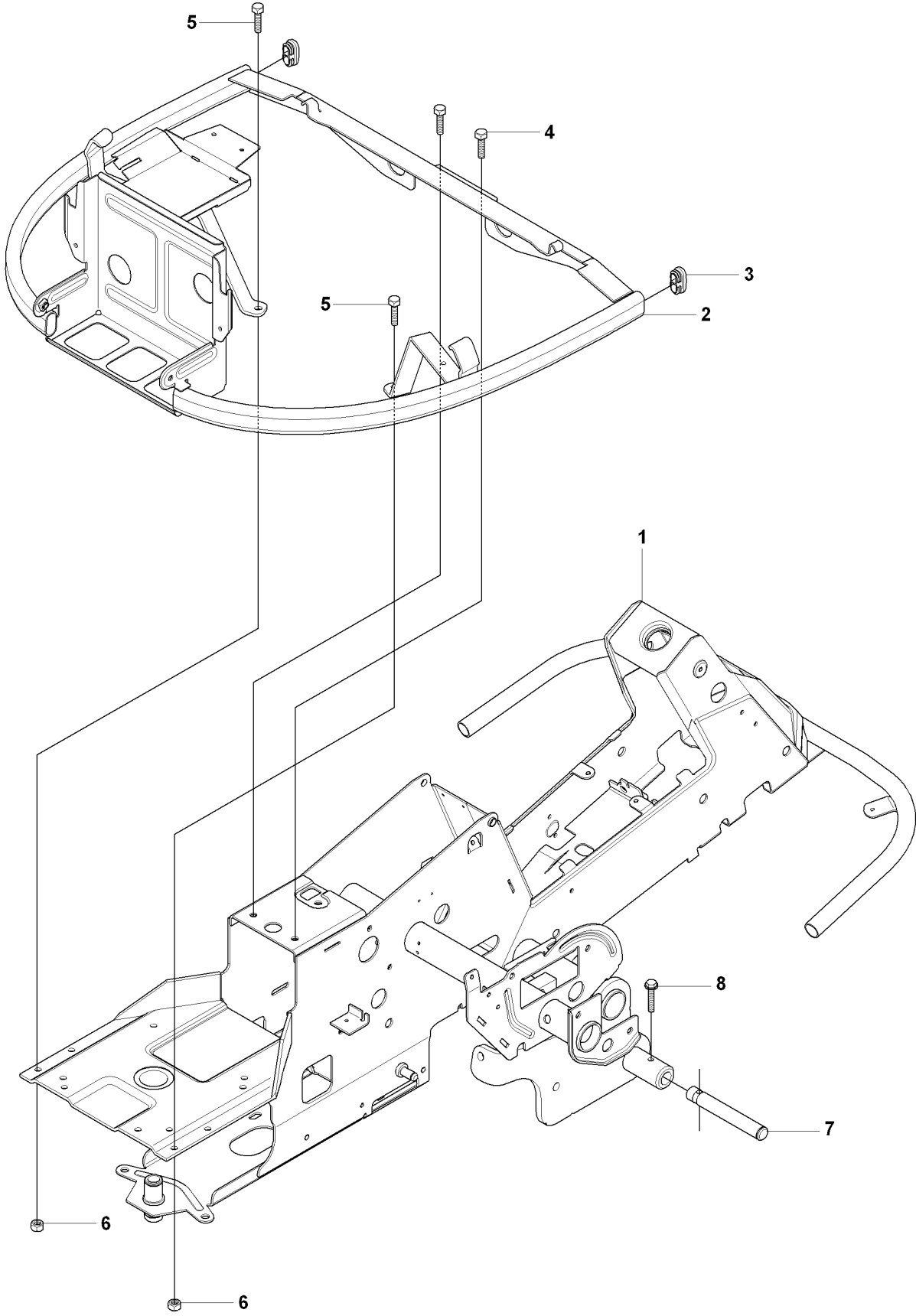


## MOWER LIFT / DECK LIFT

RIDER 175, 965104901, 2009-04

Ref	Part No	Description	Remark	QTY KIT
1	501 01 86-01	LIFTING LEVER ASSY		1
2	506 55 65-01	BEARING		2
3	506 90 53-01	PEN		1
4	721 12 59-30	GROOVED PIN		1
5	721 61 83-01	SPLIT PIN		1
6	506 78 43-01	LINK ASSY		1
7	725 24 97-51	SCREW		1
8	731 23 20-51	HEXAGON NUT		1
9	506 90 54-01	LIFTING ARM		1
10	725 25 42-51	SCREW EHHM		1
11	732 25 22-01	HEXAGON LOCKING NUT		1
12	506 91 68-01	SPRING		1
13	506 90 56-01	OFFSET PULLEY		2
14	506 90 57-01	SHAFT		1
15	506 90 57-02	SHAFT		1
16	735 31 18-20	E-CLIP		2
17	506 55 46-07	CHAIN		1
18	506 55 47-01	LINKAGE		1
19	506 90 59-01	CHAIN STOP		1
20	721 61 87-01	SPLIT PIN		1
21	544 45 69-01	CONNECTION ROD		1
22	721 61 83-01	SPLIT PIN		1
23	544 37 86-01	LINK		1
24	735 31 14-20	E-CLIP		1
25	544 44 88-01	CONNECTION ROD		1
26	734 11 64-41	WASHER		1
27	721 61 83-01	SPLIT PIN		1

**F** RIDER R175  
CHASSIS



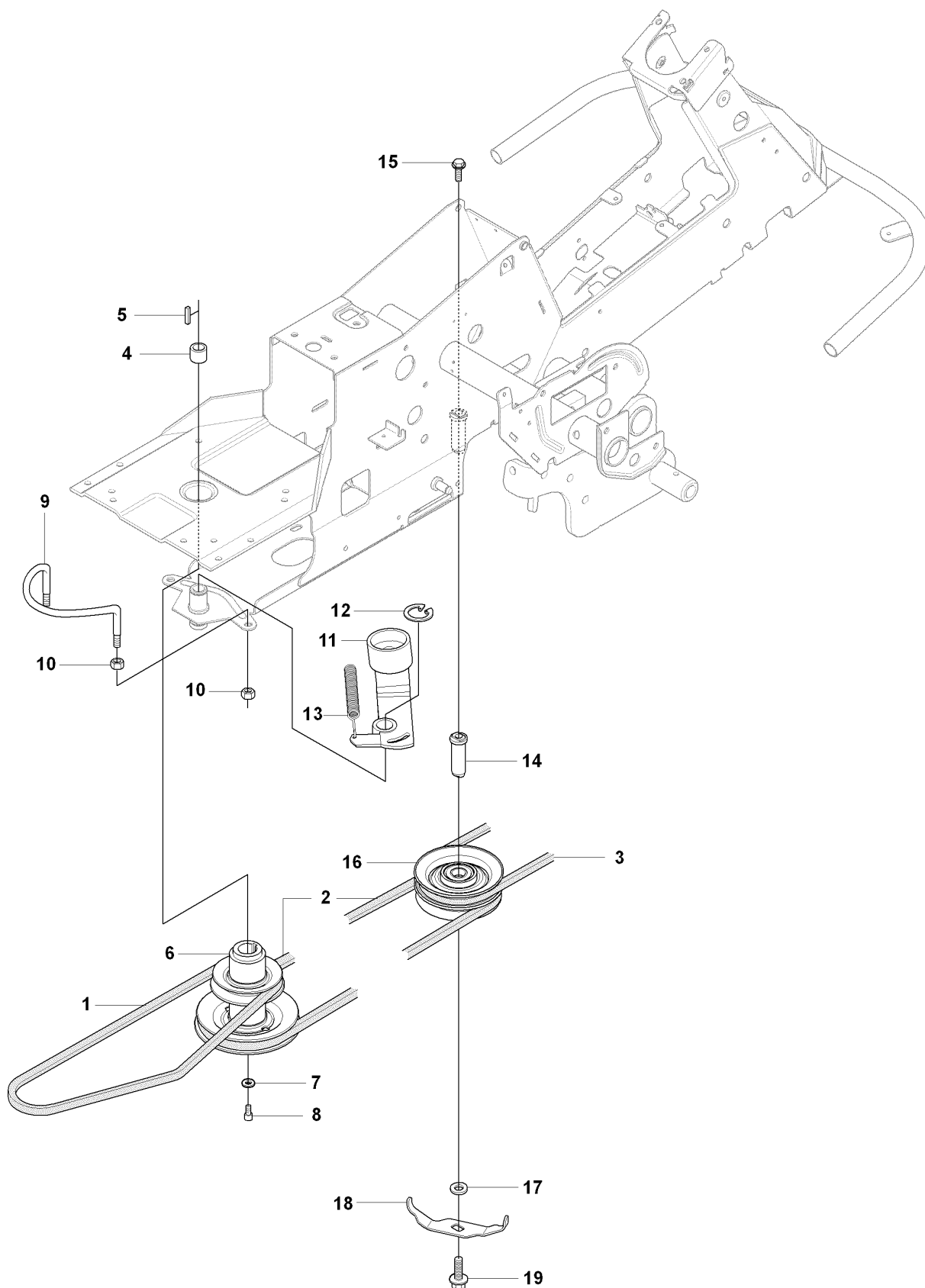


## CHASSIS LOWER

RIDER 175, 965104901, 2009-04

Ref	Part No	Description	Remark	QTY KIT
1	544 84 23-01	FRAME		1
2	544 24 42-02	ENGINE FRAME		1
3	544 24 44-01	PLUG		2
4	506 57 01-03	SCREW EHHFM		2
5	725 24 51-71	SCREW EHHM		2
6	732 21 18-01	LOCK NUT		2
7	535 47 08-01	WHEEL AXLE		2
8	725 24 59-61	SCREW EHHFT		2

**G** RIDER R175  
TRANSMISSION

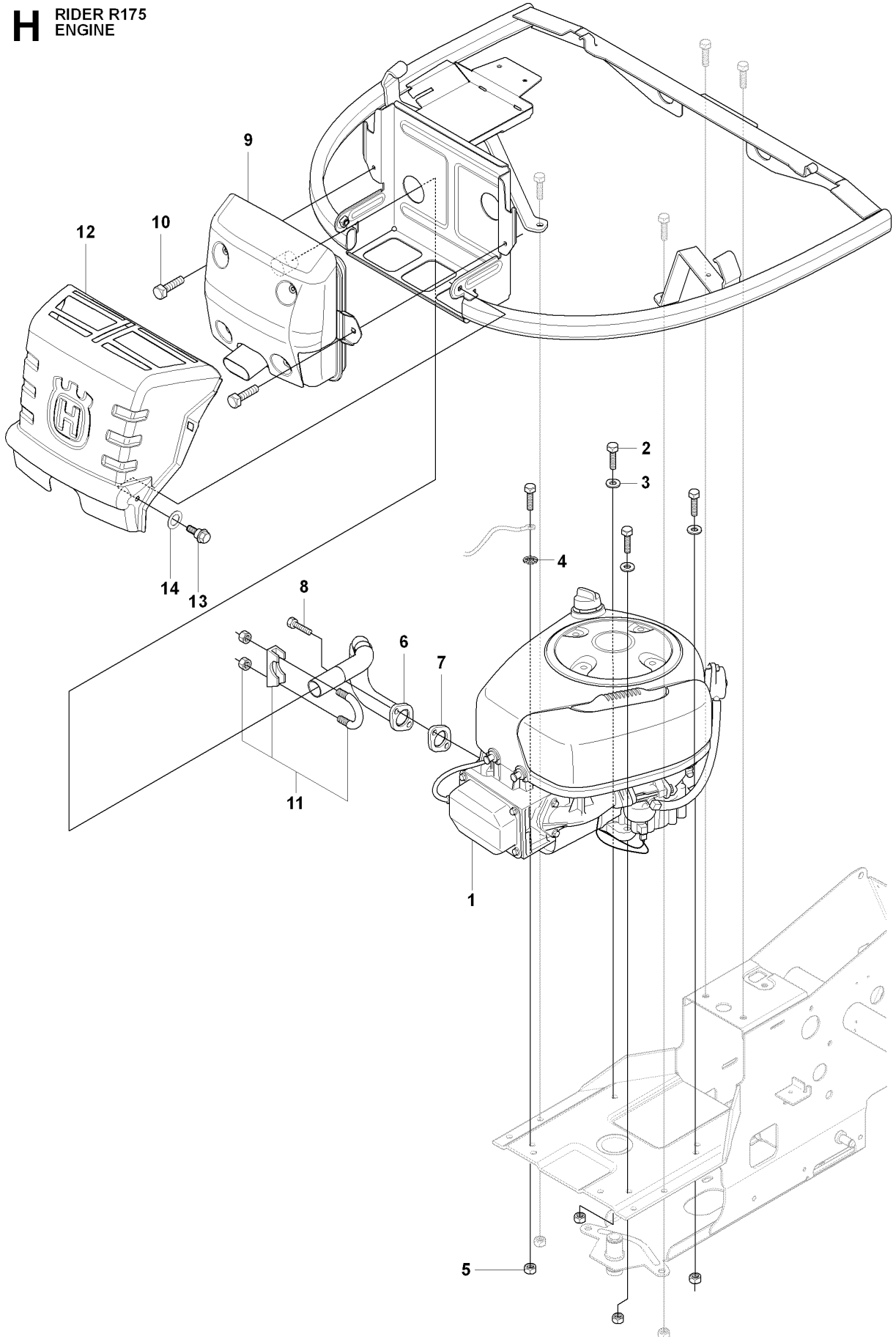


## TRANSMISSION

RIDER 175, 965104901, 2009-04

Ref	Part No	Description	Remark	QTY KIT
1	589 53 12-01	BELT		1
2	589 53 04-01	BELT		1
3	594 97 80-01	BELT		1
4	506 50 92-01	SPACING SLEEVE		1
5	506 55 59-01	WEDGE		1
6	535 48 24-01	PULLEY		1
7	506 59 75-01	WASHER		1
8	506 55 60-02	SCREW UNC		1
9	506 66 45-01	BELT GUIDE		1
10	731 23 20-51	HEXAGON NUT		4
11	535 48 44-01	BELT TENSIONER ASSY		1
12	735 31 26-00	CIRCLIP		1
13	506 66 56-01	SPRING		1
14	544 42 61-01	SHAFT		1
15	506 67 54-02	SCREW EHHFM		1
16	535 48 22-01	PULLEY		1
17	506 77 57-01	WASHER		1
18	544 40 53-01	BELT GUIDE		1
19	506 57 01-05	SCREW EHHFM		1

**H** RIDER R175  
ENGINE

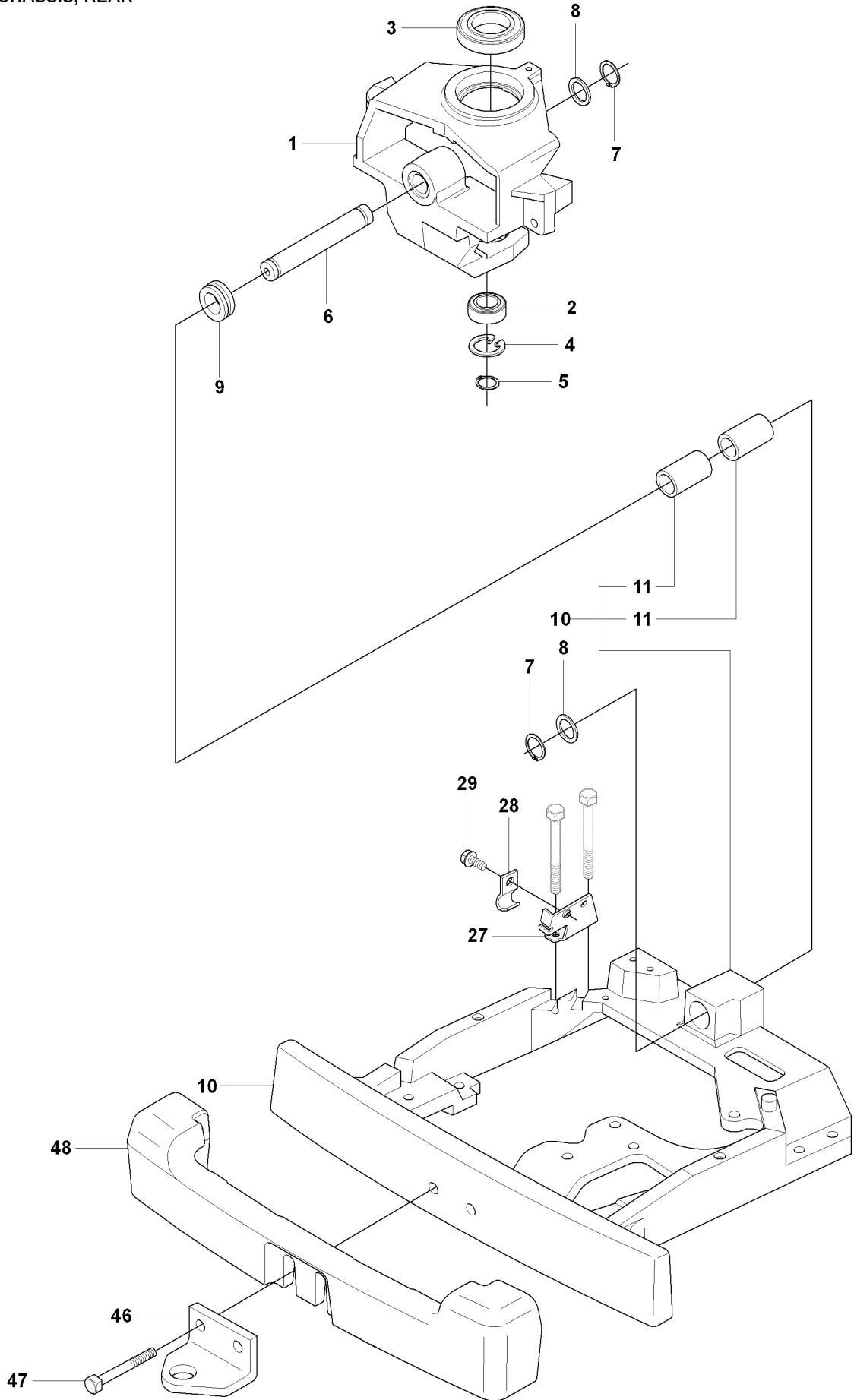


## ENGINE

RIDER 175, 965104901, 2009-04

Ref	Part No	Description	Remark	QTY KIT
1	544 83 31-01	ENGINE		1
2	725 24 57-51	SCREW		4
3	734 11 64-01	WASHER		3
4	735 21 64-00	LOCKWASHER		1
5	732 21 18-01	LOCK NUT		4
6	535 50 06-01	EXHAUST PIPE ASSY		1
7	506 91 45-01	GASKET		1
8	506 55 63-01	SCREW UNC		2
9	544 33 57-01	MUFFLER ASSY		1
10	725 23 64-61	SCREW EHHFT		2
11	506 66 84-01	CLAMP ASSY		1
12	544 24 83-01	HEAT PROTECTOR		1
13	506 59 74-01	SCREW EHHFM		2
14	506 83 94-01	SPRING WASHER		2

**J1** RIDER R175  
CHASSIS, REAR

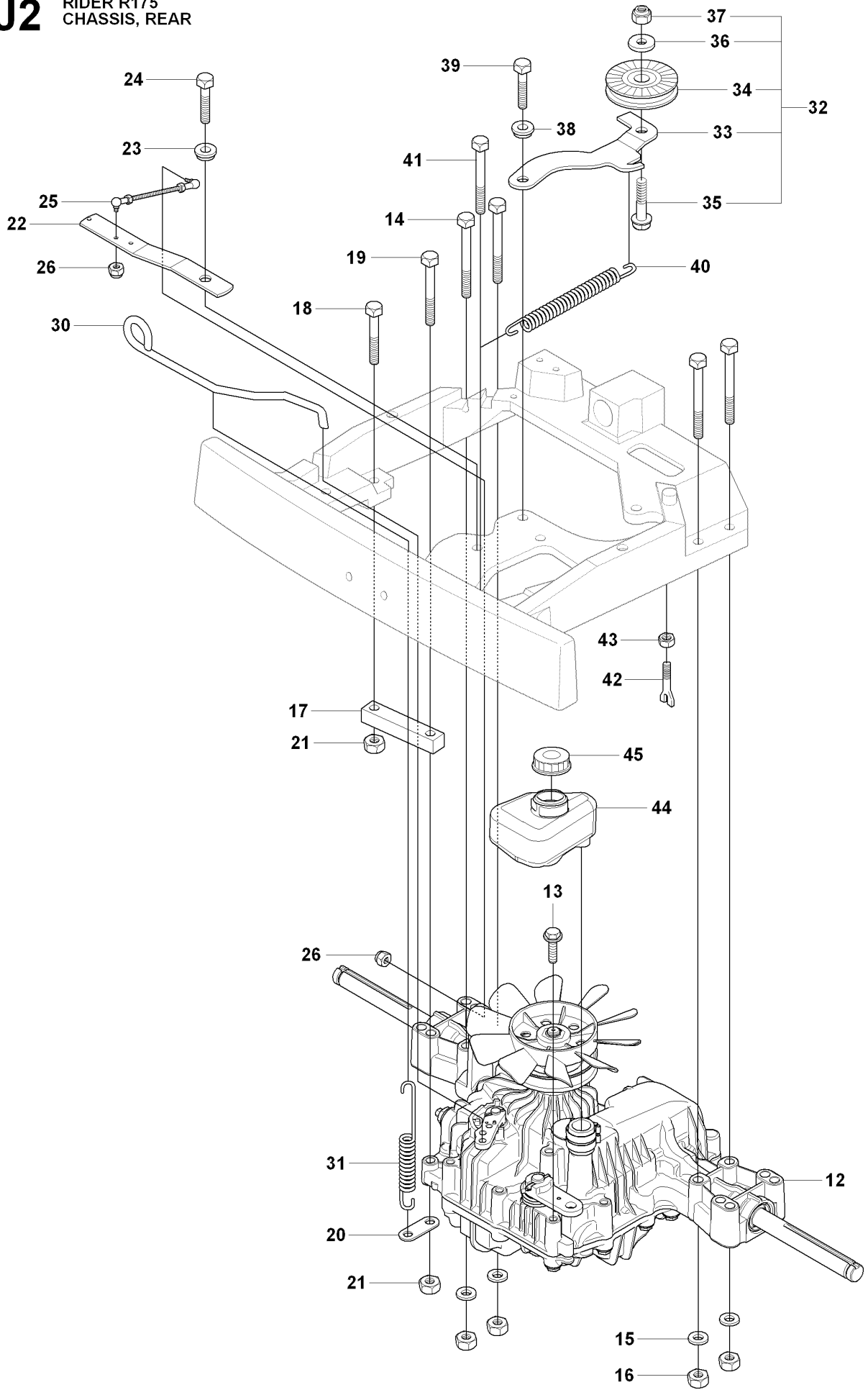


## TRANSMISSION

RIDER 175, 965104901, 2009-04

Ref	Part No	Description	Remark	QTY KIT
1	506 98 58-03	SPINDLE		1
2	738 21 05-04	BALL BEARING		1
3	738 21 10-04	BALL BEARING		1
4	735 31 40-10	CIRCLIP		1
5	735 31 26-00	CIRCLIP		1
6	506 98 59-01	SWING AXLE		1
7	735 31 26-00	CIRCLIP		2
8	506 77 34-01	WASHER		2
9	740 68 14-21	V-RING		1
10	535 40 60-01	BRACKET		1
11	506 98 61-02	GLIDLAGER		2
27	506 98 77-01	BRACKET		1
28	506 56 65-01	CLIP		1
29	725 23 64-61	SCREW EHHFT		1
46	506 88 99-01	HITCH		1
47	725 25 00-51	SCREW EHHM		2
48	544 03 96-02	COUNTERWEIGHT		1

**J2** RIDER R175  
CHASSIS, REAR



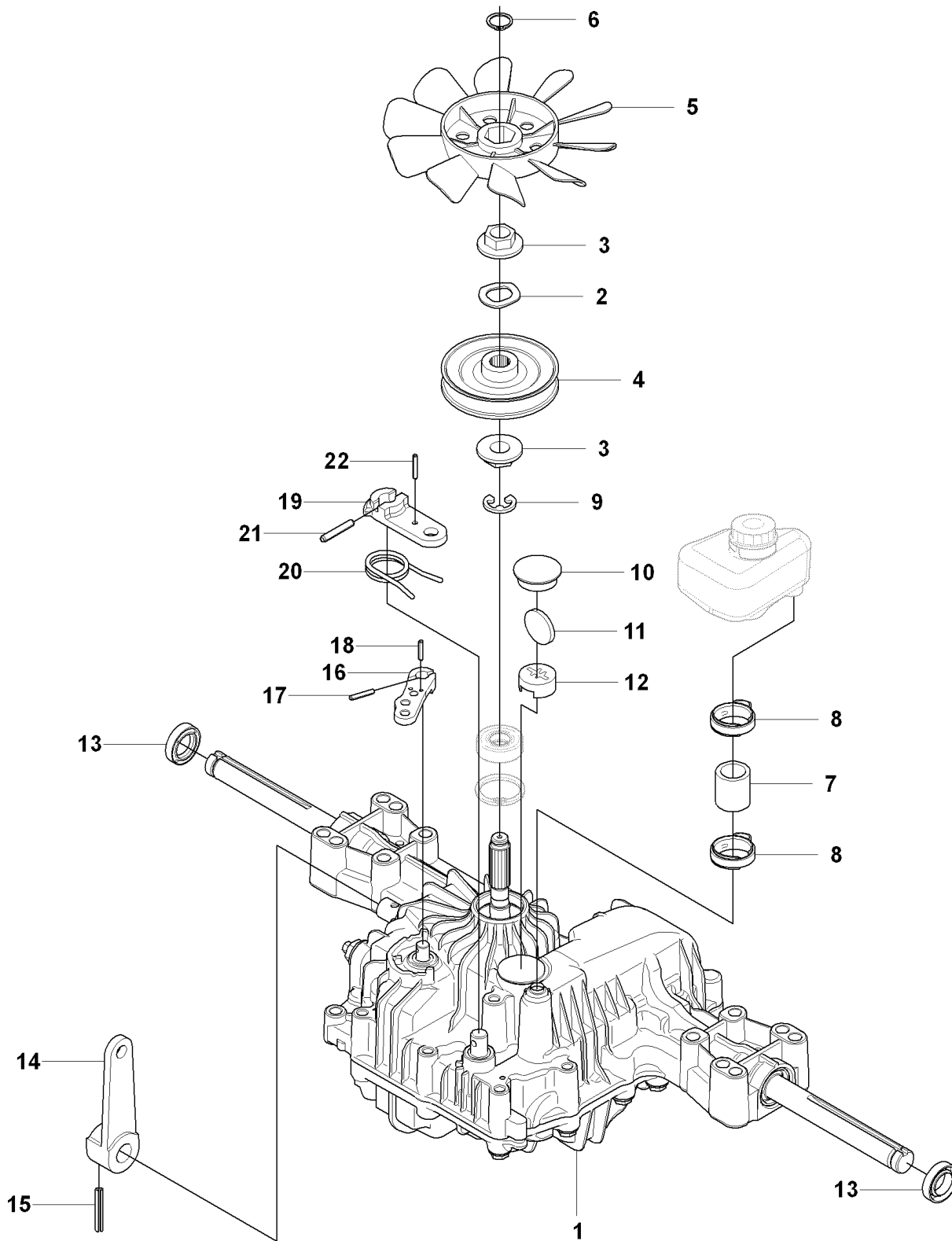


## TRANSMISSION

RIDER 175, 965104901, 2009-04

Ref	Part No	Description	Remark	QTY KIT
12	506 98 63-01	TRANSMISSION		1
13	506 55 83-02	SCREW EHHFT		1
14	725 24 67-51	SCREW EHHM		4
15	734 11 64-01	WASHER		4
16	731 23 18-01	HEXAGON NUT		4
17	506 98 72-01	MOMENTFÄSTE		1
18	725 24 59-51	SCREW EHHM		1
19	725 24 62-51	SCREW EHHM		1
20	506 59 93-01	LINK		1
21	731 23 18-01	HEXAGON NUT		2
22	506 98 74-03	LEVER		1
23	506 91 87-02	WASHER		1
24	725 24 51-51	SCREW		1
25	506 98 75-01	ADJUSTMENT ROD		1
26	732 21 14-01	LOCK NUT		2
30	506 98 82-01	FRIKOPPLINGSSTÅNG		1
31	506 83 43-01	SPRING		1
32	506 98 84-01	BELT TENSIONER ASSY		1
33	506 98 85-01	BELT TENSIONER		1
34	506 94 69-01	PULLEY		1
35	725 24 55-51	SCREW		1
36	734 11 64-41	WASHER		1
37	732 21 18-01	LOCK NUT		1
38	506 91 87-02	WASHER		1
39	725 24 51-51	SCREW		1
40	506 98 86-01	SPRING		1
41	725 24 64-51	SCREW EHHM		1
42	506 98 88-01	PENDULUM		1
43	731 23 20-51	HEXAGON NUT		1
44	506 98 90-01	EXPANSION TANK		1
45	506 98 80-01	TANK CAP ASSY		1

**K** RIDER R175  
HYDROSTAT K46 EU



## TRANSMISSION

RIDER 175, 965104901, 2009-04

Ref	Part No	Description	Remark	QTY KIT
1	506 98 63-01	TRANSMISSION		1
2	506 98 65-01	SPRING WASHER		1
3	506 98 66-01	DISTANCE		2
4	502 45 19-01	PULLEY		1
5	506 98 68-01	FAN		1
6	735 31 15-00	CIRCLIP		1
7	502 45 16-01	TUBE		1
8	506 98 70-01	HOSE CLAMP		2
9	535 40 28-07	CLIP		1
10	535 40 28-32	PLUG		1
11	535 40 28-29	MAGNET		1
12	502 45 20-01	MAGNET HOLDER		1
13	535 40 28-37	SEALING		2
14	502 45 32-01	CONTROL LEVER		1
15	535 40 28-09	PIN RETAINING SCREW		1
16	535 40 28-17	LEVER		1
17	535 40 28-16	PIN RETAINING SCREW		1
18	535 40 28-33	PIN RETAINING SCREW		1
19	535 40 28-38	LEVER		1
20	535 40 28-39	RETURN SPRING		1
21	535 40 28-40	PIN RETAINING SCREW		1
22	535 40 28-41	PIN RETAINING SCREW		1

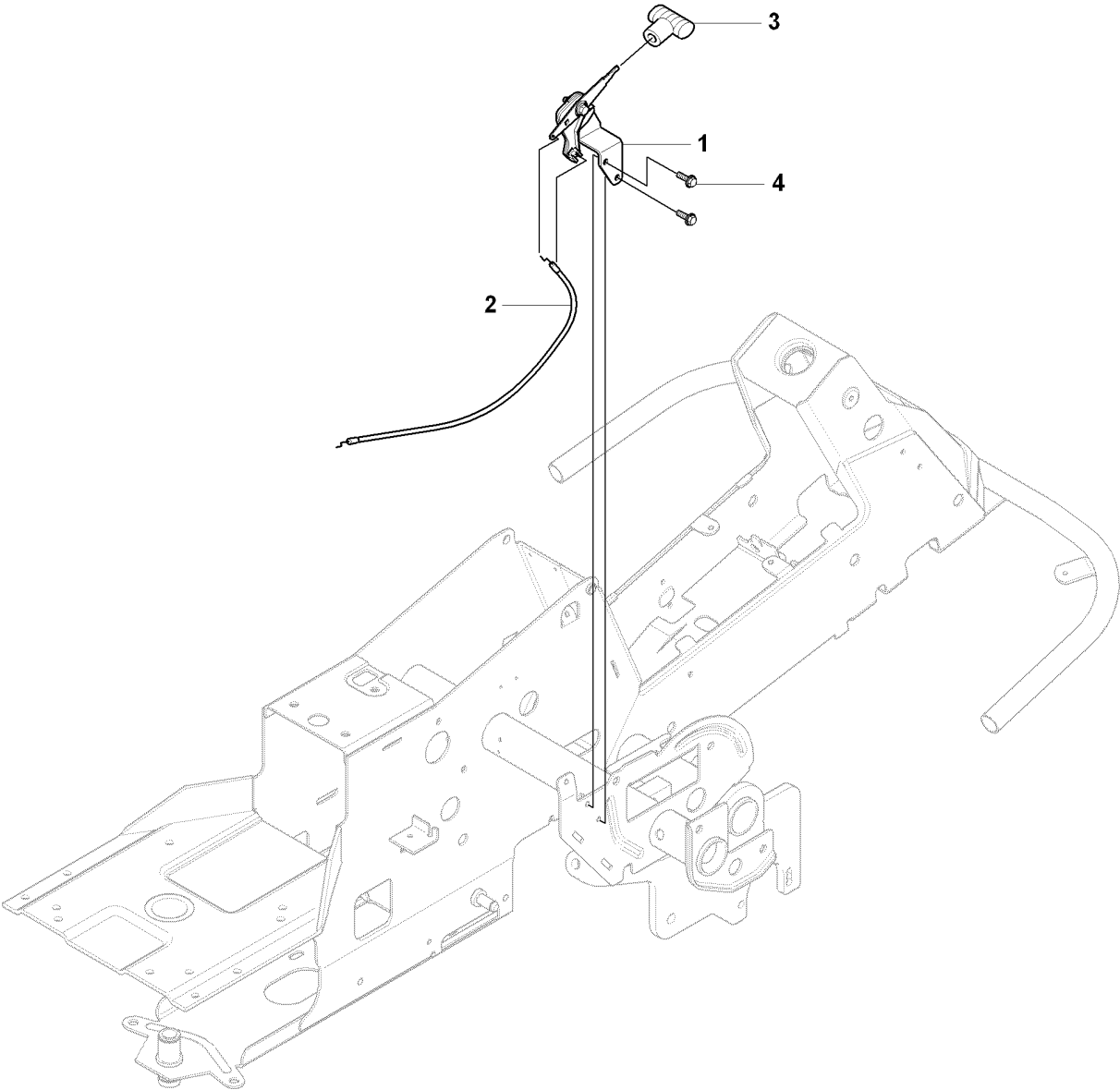


## STEERING

RIDER 175, 965104901, 2009-04

Ref	Part No	Description	Remark	QTY KIT
1	506 67 19-01	SPRING		1
2	506 57 63-01	SPRING RETAINER		1
3	506 67 08-01	LINK		1
4	506 59 74-01	SCREW EHHFM		1
5	544 37 52-02	STEERING WHEEL		1
6	728 74 55-05	SCREW IHSETM		1
7	731 23 18-01	HEXAGON NUT		1
8	535 49 95-01	ROD STEERING ASSY		1
9	506 86 34-01	DRIVER		3
10	728 84 43-05	SCREW IHSETM		3
11	506 86 36-01	WASHER		1
12	506 88 78-01	SPACER		1
13	738 21 04-04	BALL BEARING		1
14	506 57 01-04	SCREW EHHFM		1
15	506 50 09-03	BARRING WHEEL		1
16	535 42 41-01	BARRING WHEEL		1
17	735 31 40-10	CIRCLIP		1
18	738 22 04-19	BALL BEARING		1
19	506 50 08-02	BUSHING		1
20	506 67 54-02	SCREW EHHFM		1
21	734 11 74-41	WASHER		1
22	506 58 91-04	WIRE ASSY		2
23	506 52 24-01	STARTER PULLEY		2
24	506 53 94-02	SHAFT		1
25	735 31 14-20	E-CLIP		2
26	506 55 46-01	CHAIN		1
27	506 55 47-01	LINKAGE		2
28	544 42 73-01	WIRE GUIDE		1
29	731 23 20-51	HEXAGON NUT		4

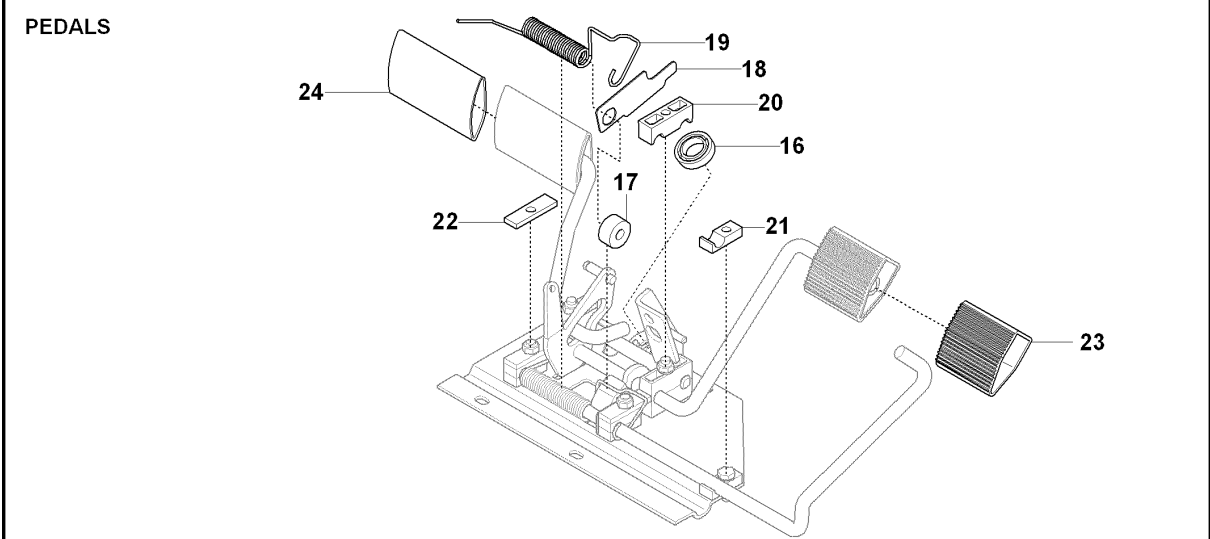
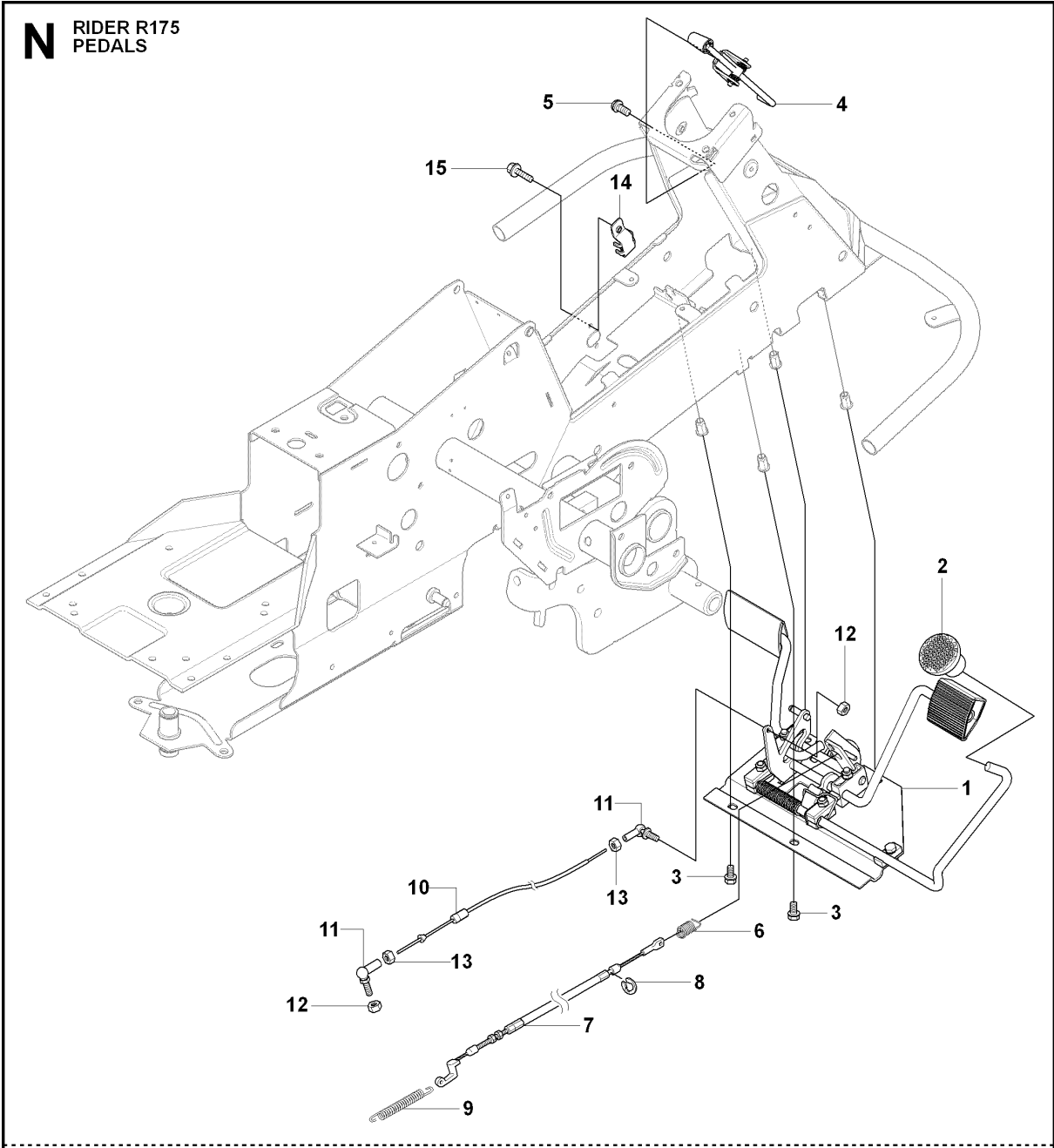
**M** RIDER R175  
CONTROLS



## CONTROLS

RIDER 175, 965104901, 2009-04

Ref	Part No	Description	Remark	QTY KIT
1	544 30 15-01	THROTTLE CONTROL ASSY		1
2	544 30 17-01	WIRE		1
3	506 88 91-01	KNOB		1
4	725 23 64-61	SCREW EHHFT		2



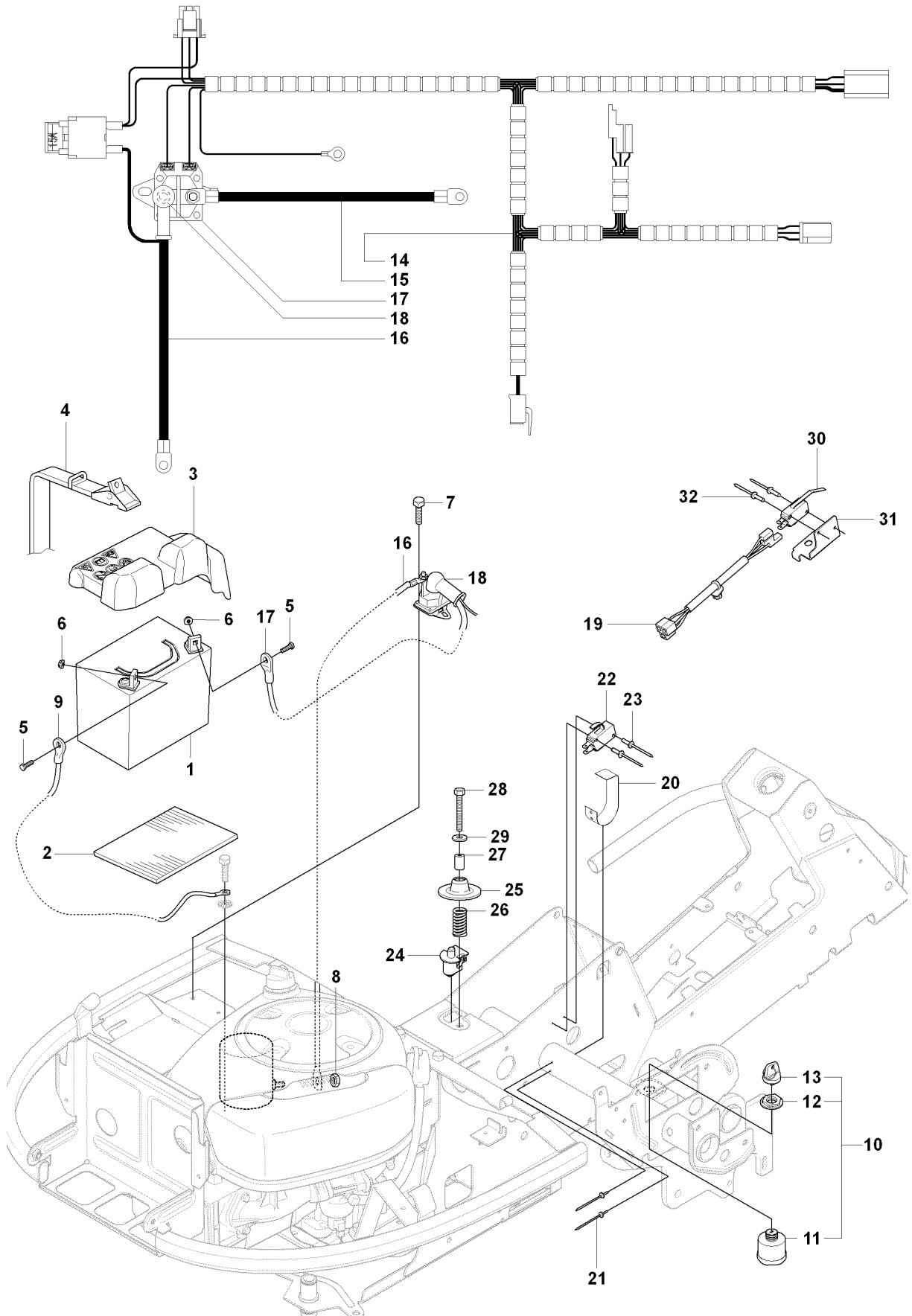


## PEDALS

RIDER 175, 965104901, 2009-04

Ref	Part No	Description	Remark	QTY KIT
1	544 12 60-01	PEDAL PLATE ASSY		1
2	535 47 37-01	KNOB		1
3	506 57 01-04	SCREW EHHFM		4
4	544 40 31-01	BRAKE LEVER ASSY		1
5	725 23 64-61	SCREW EHHFT		2
6	506 94 63-01	BRAKE SPRING		1
7	506 99 27-01	BRAKE WIRE		1
8	735 31 09-20	E-CLIP		1
9	506 53 56-03	DRAW SPRING		1
10	506 82 72-02	CONTROL CABLE		1
11	506 55 73-01	VINKELL.AS8 DIN71802		2
12	732 21 14-01	LOCK NUT		2
13	731 23 14-01	HEXAGON NUT		2
14	522 43 08-01	BRACKET		1
15	725 23 64-61	SCREW EHHFT		1
16	738 21 02-04	BALL BEARING		1
17	535 48 02-01	ROLLER		1
18	535 48 06-01	PROTECTIVE PLATE		1
19	535 48 07-01	SPRING		1
20	535 48 08-01	BEARING SUPPORT		4
21	535 48 09-01	BEARING SUPPORT		1
22	535 48 10-01	REINFORCEMENT PLATE		1
23	535 47 88-01	PEDAL RUBBER		1
24	535 47 88-02	PEDAL RUBBER		1

**P** RIDER R175  
ELECTRICAL

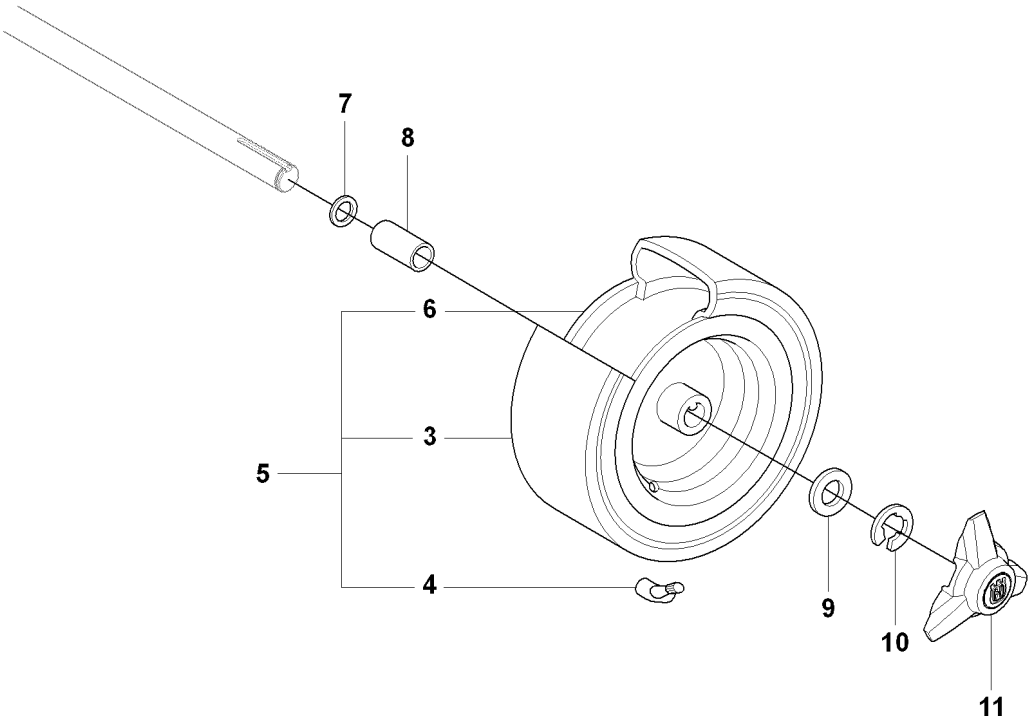
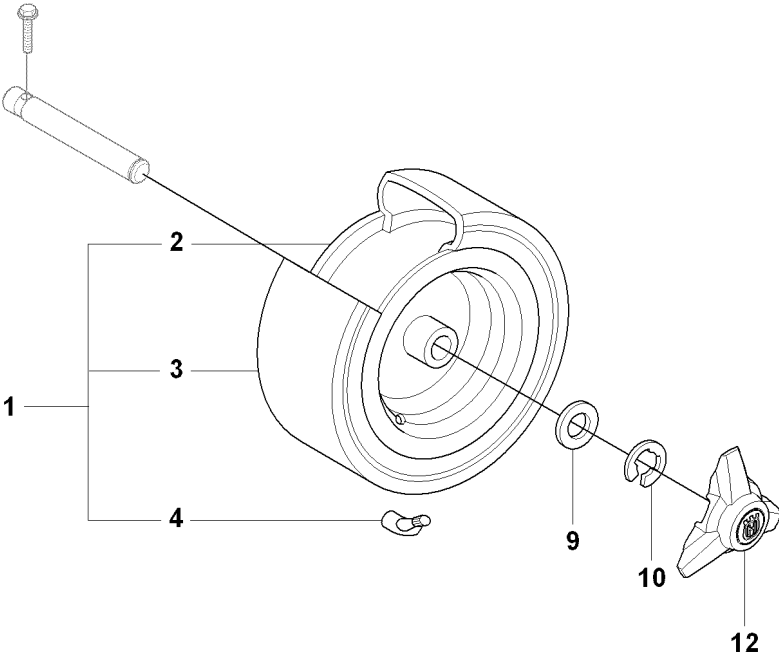
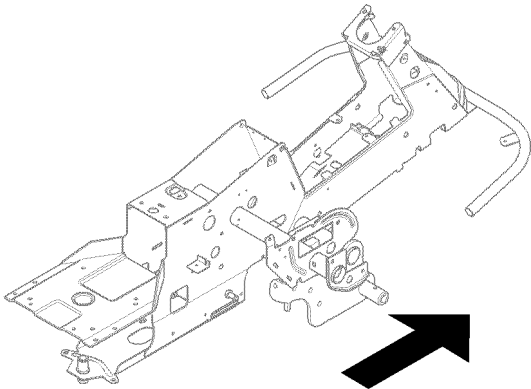


## ELECTRICAL

RIDER 175, 965104901, 2009-04

Ref	Part No	Description	Remark	QTY KIT
1	510 13 85-01	BATTERY		1
2	535 44 11-01	BATTERY MAT		1
3	510 02 69-01	COVER		1
4	506 83 68-02	BELT		1
5	522 62 21-01	SCREW EHHM		1
6	522 62 43-01	NUT		1
7	725 23 64-61	SCREW EHHFT		1
8	506 89 98-01	NUT		1
9	544 96 76-03	CABLE		1
10	544 44 21-01	IGNITION SWITCH		1
11	544 44 22-01	IGNITION SWITCH		1
12	544 44 23-01	NUT		1
13	544 44 24-01	IGNITION KEY		1
14	544 92 63-01	WIRING		1
15	544 92 86-01	CABLE		1
16	544 92 61-04	CABLE		1
17	544 43 98-01	RELAY		1
18	506 89 98-01	NUT		2
19	544 89 22-01	WIRING		1
20	506 90 93-01	PLATE SPRING		1
21	722 78 39-02	BLIND RIVET		2
22	535 46 91-01	SWITCH		1
23	544 44 07-01	RIVET		2
24	506 90 96-01	SWITCH		1
25	506 90 97-01	SPRING WASHER		1
26	544 44 12-01	SPRING		1
27	506 90 99-02	SPACING TUBE		1
28	725 24 60-51	SCREW EHHM		1
29	734 11 64-01	WASHER		1
30	544 41 55-01	SWITCH		1
31	544 41 57-01	BRACKET		1
32	544 44 07-01	RIVET		2

**Q** RIDER R175  
WHEELS & TIRES

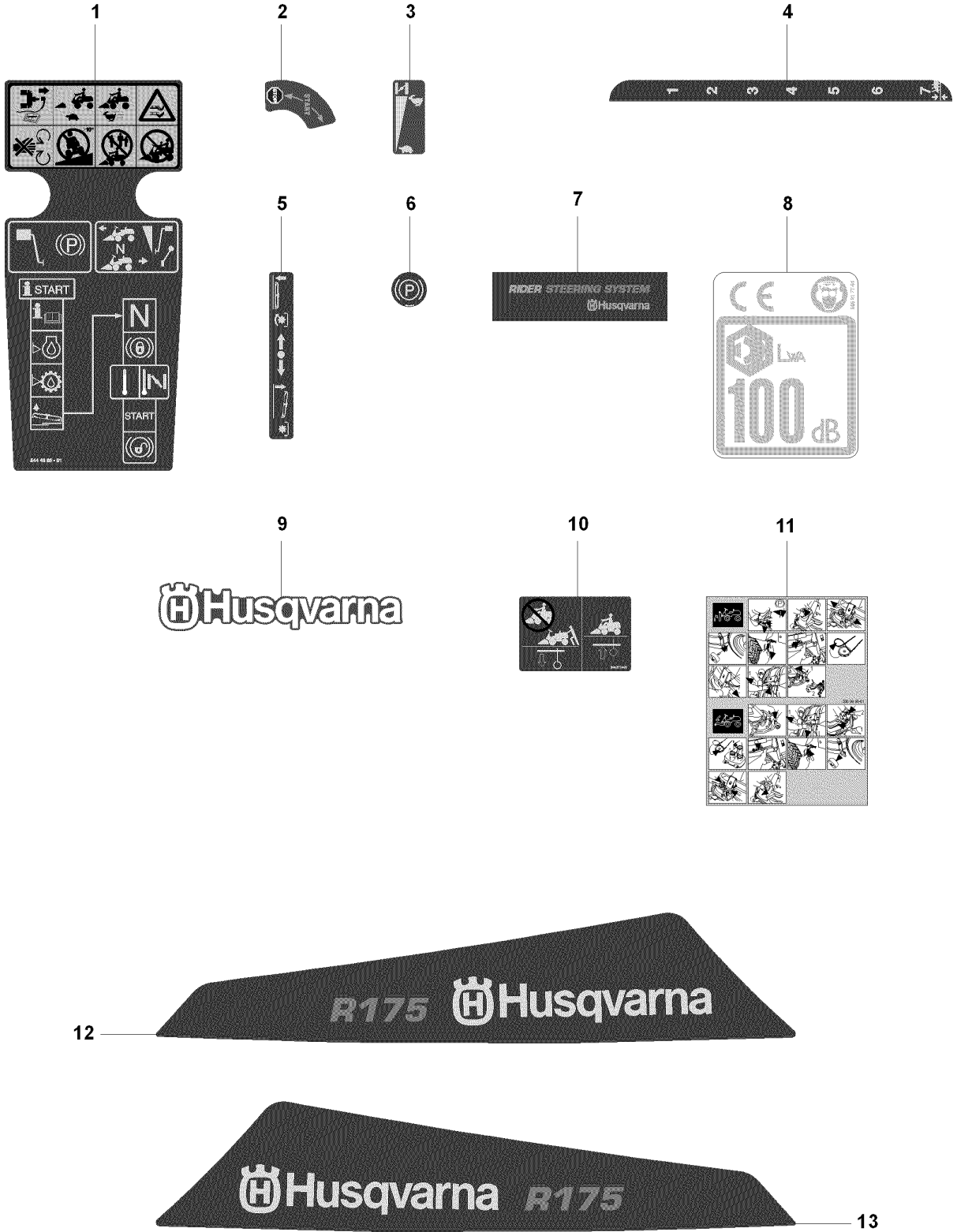


## WHEELS &amp; TIRES

RIDER 175, 965104901, 2009-04

Ref	Part No	Description	Remark	QTY KIT
1	544 12 62-01	WHEEL		2
2	544 11 43-01	RIM		1
3	535 46 00-01	TYRE		1
4	506 57 43-01	VALVE ASSY		1
5	544 12 63-01	WHEEL		2
6	544 11 42-01	RIM		1
7	506 50 48-03	WASHER		2
8	506 59 62-03	SPACING SLEEVE		2
9	506 50 48-05	WASHER		4
10	506 89 90-01	E-CLIP		4
11	544 35 35-01	HUB CAP		2
12	544 35 35-02	HUB CAP		2

**R** RIDER R175  
DECALS

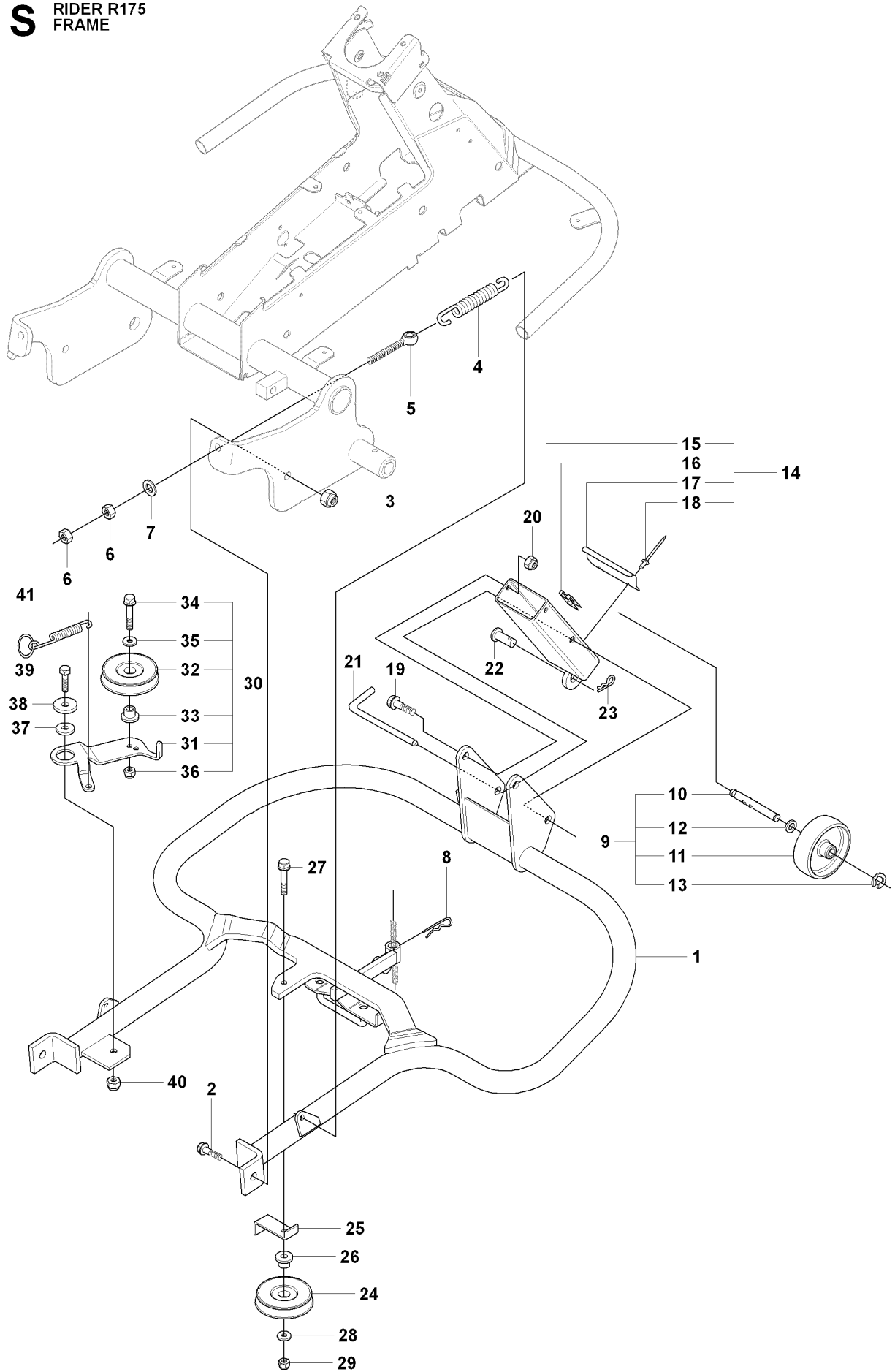


## DECALS

RIDER 175, 965104901, 2009-04

Ref	Part No	Description	Remark	QTY KIT
1	544 43 86-01	LABEL		1
2	544 43 87-01	LABEL		1
3	544 43 88-01	LABEL		1
4	544 43 90-02	LABEL		1
5	544 43 92-01	LABEL		1
6	506 58 45-01	LABEL		1
7	544 83 36-01	LABEL		1
8	505 21 77-01	LABEL		1
9	544 39 11-02	LABEL		1
10	544 21 14-01	LABEL		1
11	506 99 96-01	LABEL		1
12	544 83 37-01	LABEL		1
13	544 83 37-02	LABEL		1

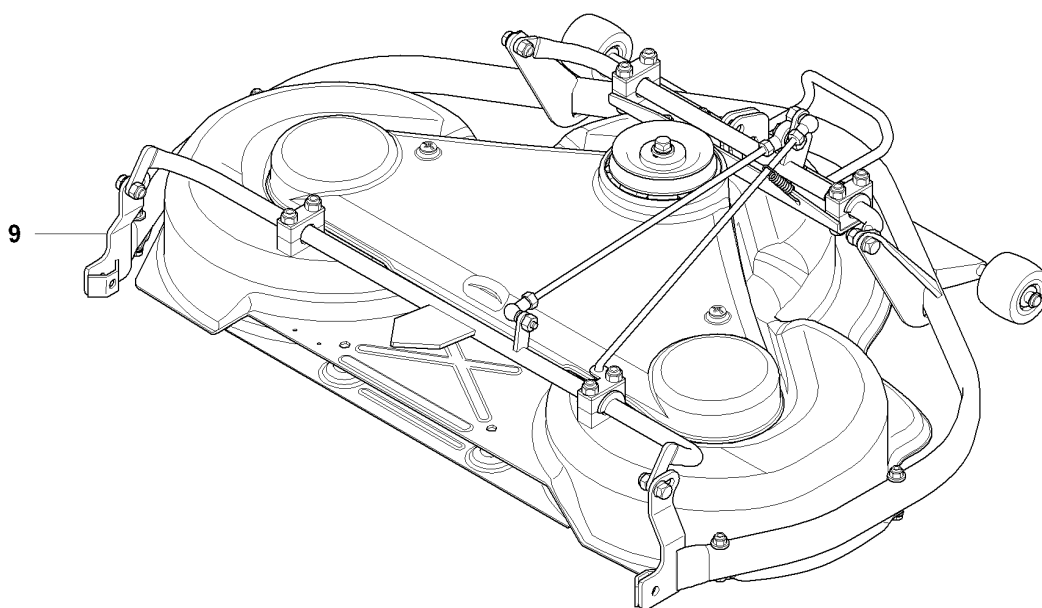
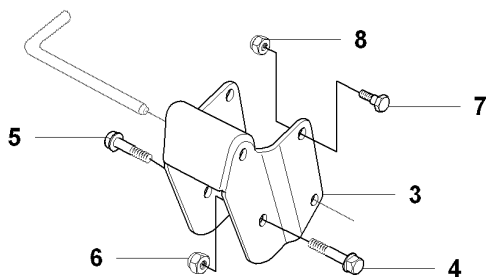
**S** RIDER R175  
FRAME





Ref	Part No	Description	Remark	QTY KIT
1	535 47 10-01	DECK ATTACHMENT ASSY		1
2	506 89 58-01	COLLAR SCREW		2
3	732 25 22-01	HEXAGON LOCKING NUT		2
4	506 83 76-01	SPRING		2
5	506 83 77-01	RING BOLT		2
6	731 23 20-51	HEXAGON NUT		4
7	734 11 72-01	WASHER		2
8	506 96 66-01	HAIR PIN COTTER		1
9	506 98 14-01	WHEEL ASSY		2
10	506 98 00-01	SHAFT		1
11	506 97 96-01	WHEEL		1
12	734 11 77-71	WASHER		1
13	735 31 15-20	E-CLIP		1
14	506 99 78-01	LINK ASSY		1
15	506 99 79-01	LINK ASSY		1
16	506 96 37-01	LÅSDON		1
17	506 98 28-01	BRACKET		1
18	722 78 39-02	BLIND RIVET		2
19	506 59 74-01	SCREW EHHFM		2
20	732 21 18-01	LOCK NUT		2
21	506 97 46-01	PEN		1
22	721 86 17-01	CLEVIS PIN		1
23	721 68 02-51	SPRING COTTER		1
24	506 97 48-01	PULLEY		1
25	506 97 50-01	BELT GUIDE		1
26	506 82 68-01	BUSHING		1
27	725 24 61-51	SCREW EHHM		1
28	734 11 64-41	WASHER		1
29	732 21 18-01	LOCK NUT		1
30	506 97 62-01	BELT TENSIONER ASSY		1
31	506 97 63-01	SPÄNNARM		1
32	506 53 27-01	PULLEY		1
33	506 82 68-01	BUSHING		1
34	725 24 57-51	SCREW		1
35	734 11 64-41	WASHER		1
36	732 21 18-01	LOCK NUT		1
37	506 59 75-01	WASHER		1
38	506 98 25-01	WASHER		1
39	725 24 95-71	SCREW EHHM		1
40	732 21 20-51	NUT		1
41	506 97 68-01	SPRING		1

**T** MOWER DECK, Combi 103

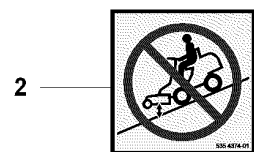
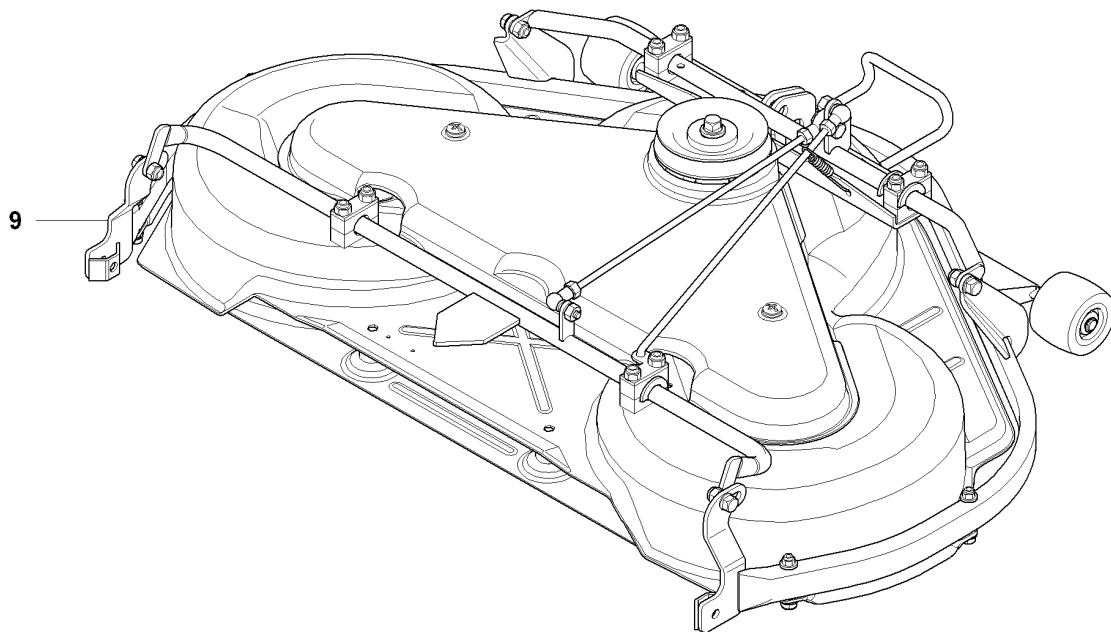
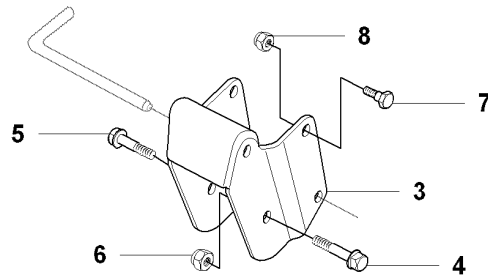


## 103CM CUTTING DECK

RIDER 175, 965104901, 2009-04

Ref	Part No	Description	Remark	QTY KIT
1	506 92 90-01	LABEL		1
3	535 43 13-01	LÄNKRÖRRSINFÄSTN.KPL		1
4	725 25 42-51	SCREW EHHM		1
5	725 25 36-71	SCREW EHHM		1
6	732 25 22-01	HEXAGON LOCKING NUT		2
7	506 59 74-01	SCREW EHHFM		2
8	732 21 18-01	LOCK NUT		2
9	965 07 84-01	CUTTING DECK		1

**U** MOWER DECK, Combi 112

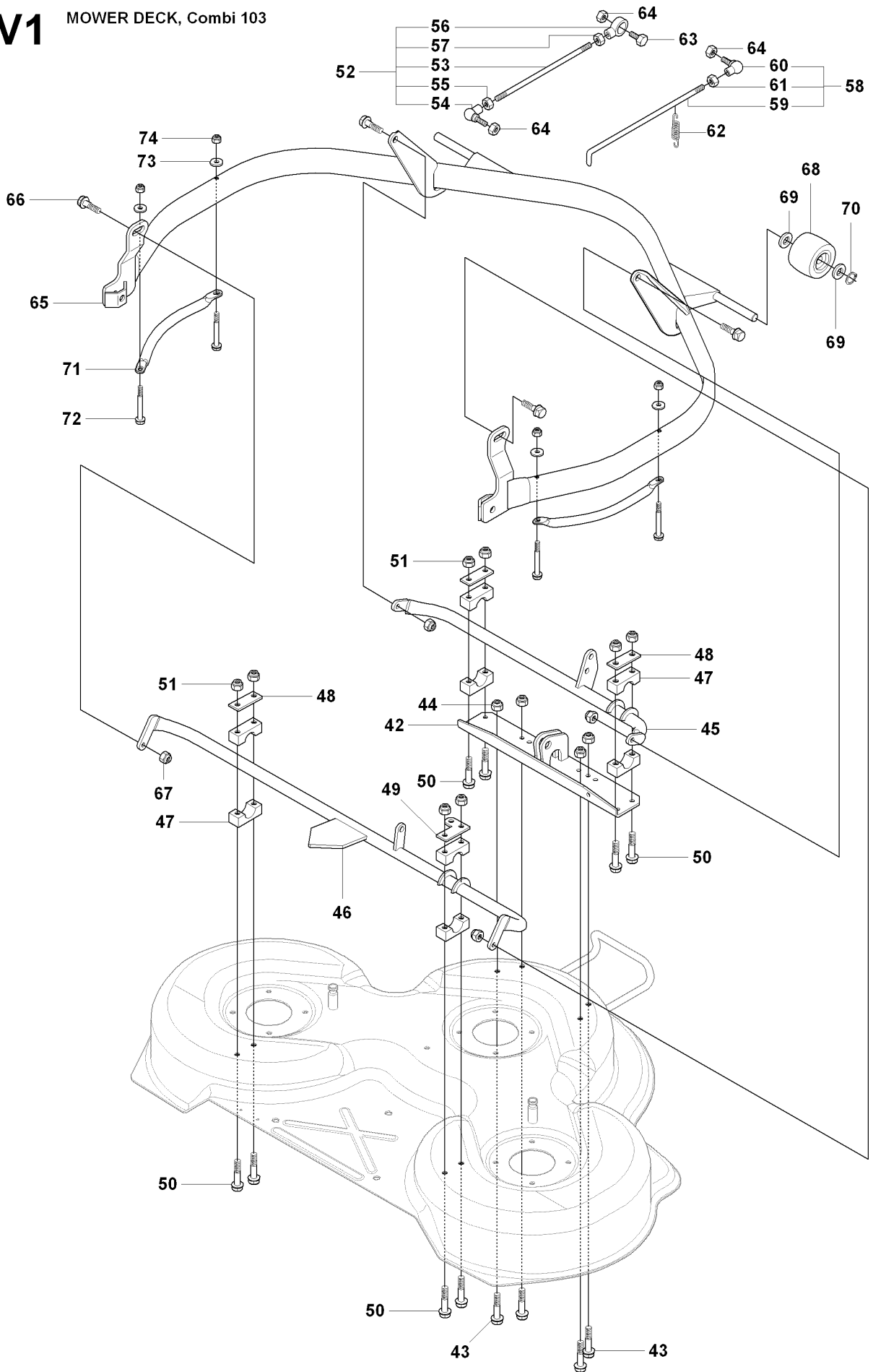


## 44"/112CM CUTTING DECK

RIDER 175, 965104901, 2009-04

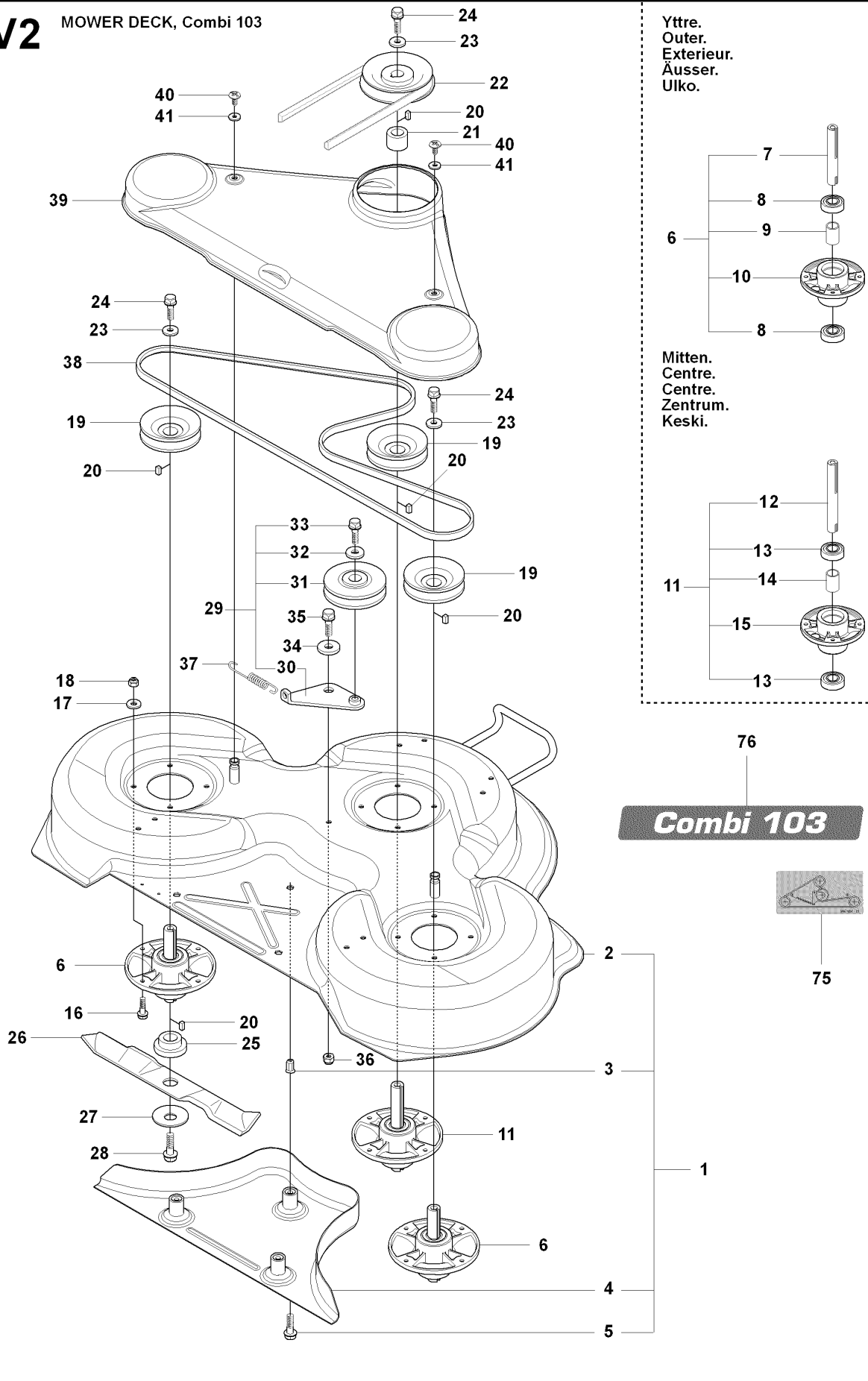
Ref	Part No	Description	Remark	QTY KIT
1	506 92 90-01	LABEL		1
2	535 43 74-01	LABEL WARNING		1
3	535 43 13-01	LÄNKRÖRRSINFÄSTN.KPL		1
4	725 25 42-51	SCREW EHHM		1
5	725 25 36-71	SCREW EHHM		1
6	732 25 22-01	HEXAGON LOCKING NUT		2
7	506 59 74-01	SCREW EHHFM		2
8	732 21 18-01	LOCK NUT		2
9	965 07 85-01	CUTTING DECK		1

**V1** MOWER DECK, Combi 103



Ref	Part No	Description	Remark	QTY KIT
42	535 42 30-01	BRACKET		1
43	725 24 51-71	SCREW EHHM		4
44	732 21 18-01	LOCK NUT		4
45	535 46 88-01	FRÄMRE TVÄRRÖR KPL.		1
46	535 46 87-01	REAR CROSS TUBES ASS		1
47	506 86 96-01	BEARING		8
48	506 81 38-01	REINFORCING PLATE		3
49	506 97 91-01	SERVICEBRICKA		1
50	725 24 61-51	SCREW EHHM		8
51	732 21 18-01	LOCK NUT		8
52	506 93 39-04	PARALLEL ROD ASSY		1
53	506 81 49-06	ROD		1
54	506 78 99-01	VINKELLÄNK DIN 71802		1
55	506 89 76-01	NUT		1
56	506 95 17-01	ROD END		1
57	731 23 20-51	HEXAGON NUT		1
58	506 94 12-06	CLUTCH ROD ASSY		1
59	506 94 13-06	CONNECTION ROD		1
60	506 78 99-01	VINKELLÄNK DIN 71802		1
61	506 89 76-01	NUT		1
62	506 53 56-03	DRAW SPRING		1
63	725 24 95-71	SCREW EHHM		1
64	732 21 20-51	NUT		3
65	535 46 36-01	PROTECTIVE TUBING		1
66	506 59 74-01	SCREW EHHFM		4
67	732 21 18-01	LOCK NUT		4
68	506 96 30-01	WHEEL ASSY		2
69	535 46 41-01	WASHER		4
70	735 31 17-00	CIRCLIP		2
71	535 47 63-01	SIDE RAIL		2
72	727 63 83-01	SCREW RSQM		4
73	734 11 56-01	WASHER		4
74	732 21 16-01	LOCK NUT		4

**V2** MOWER DECK, Combi 103





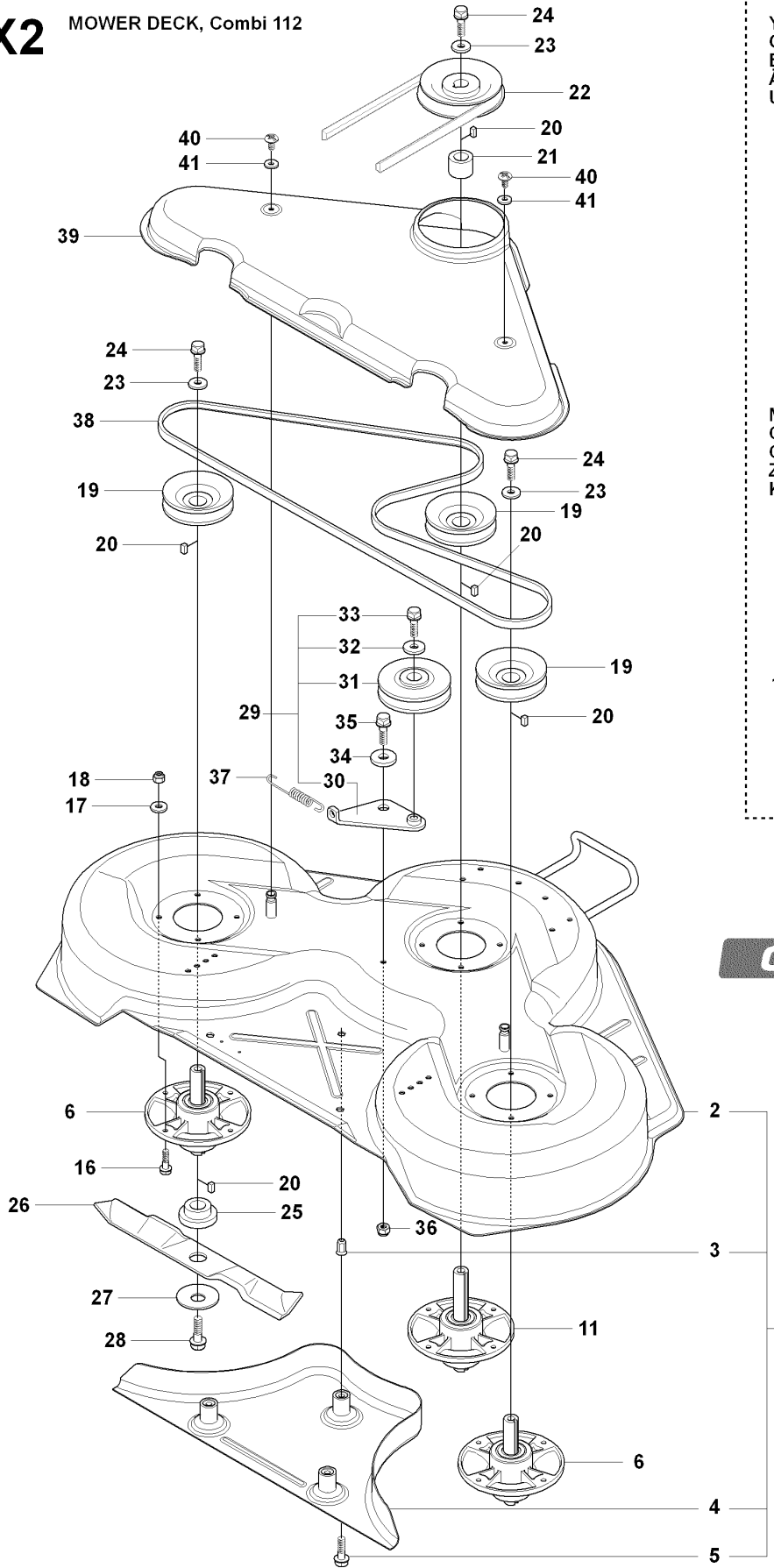
Ref	Part No	Description	Remark	QTY KIT
1	544 11 29-03	CUTTING DECK		1
2	544 11 28-01	CUTTING DECK		1
3	506 91 62-01	NUT		3
4	544 44 92-01	PLUG		1
5	506 57 01-04	SCREW EHHFM		3
6	544 06 59-01	BLADE HOUSING ASSY		2
7	544 06 79-02	SHAFT		1
8	738 23 04-34	BALL BEARING		2
9	544 06 80-01	SPACING SLEEVE		1
10	544 06 78-01	BEARING HOUSING		1
11	544 06 59-02	BLADE HOUSING ASSY		1
12	544 06 79-01	SHAFT		1
13	738 23 04-34	BALL BEARING		2
14	544 06 80-01	SPACING SLEEVE		1
15	544 06 78-01	BEARING HOUSING		1
16	535 42 38-01	SCREW RSQM		12
17	734 11 64-01	WASHER		12
18	732 21 18-01	LOCK NUT		12
19	506 92 21-01	PULLEY		3
20	506 53 35-01	PARALLEL KEY		7
21	544 06 80-02	SPACING SLEEVE		1
22	506 77 86-01	PULLEY		1
23	734 11 74-41	WASHER		3
24	544 11 41-01	SCREW EHHM		3
25	535 50 42-02	ADAPTER		3
26	504 18 82-10	BLADE		3
27	506 79 23-01	KNIFE PLATE		3
28	544 11 41-01	SCREW EHHM		3
29	506 54 07-01	BELT TENSIONER ASSY		1
30	506 51 95-01	SPÄNNARM KPL.		1
31	506 53 27-01	PULLEY		1
32	734 11 64-41	WASHER		1
33	506 55 83-02	SCREW EHHFT		1
34	506 91 87-02	WASHER		1
35	725 24 51-71	SCREW EHHM		1
36	732 21 18-01	LOCK NUT		1
37	506 53 31-01	SPRING		1
38	589 53 06-01	BELT		1
39	544 09 61-01	BELT COVER		1
40	506 98 26-01	SCREW		2
41	506 55 97-01	WASHER		2
75	506 78 97-01	LABEL		1
76	544 23 81-03	LABEL		1



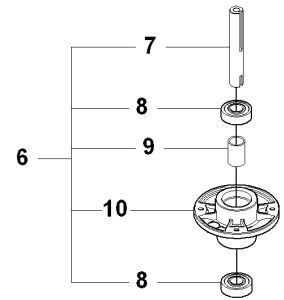
Ref	Part No	Description	Remark	QTY KIT
42	535 42 30-01	BRACKET		1
43	725 24 51-71	SCREW EHHM		4
44	732 21 18-01	LOCK NUT		4
45	535 43 06-01	FRONT CROSS TUBE ASS		1
46	535 43 12-01	REAR CROSS TUBES ASS		1
47	506 86 96-01	BEARING		8
48	506 81 38-01	REINFORCING PLATE		3
49	506 97 91-01	SERVICEBRICKA		1
50	725 24 61-51	SCREW EHHM		8
51	732 21 18-01	LOCK NUT		8
52	506 93 39-04	PARALLEL ROD ASSY		1
53	506 81 49-06	ROD		1
54	506 78 99-01	VINKELLÄNK DIN 71802		1
55	506 89 76-01	NUT		1
56	506 95 17-01	ROD END		1
57	731 23 20-51	HEXAGON NUT		1
58	506 94 12-06	CLUTCH ROD ASSY		1
59	506 94 13-06	CONNECTION ROD		1
60	506 78 99-01	VINKELLÄNK DIN 71802		1
61	506 89 76-01	NUT		1
62	506 53 56-03	DRAW SPRING		1
63	725 24 95-71	SCREW EHHM		1
64	732 21 20-51	NUT		3
65	535 41 23-02	PROTECTIVE TUBING		1
66	506 59 74-01	SCREW EHHFM		4
67	732 21 18-01	LOCK NUT		4
68	506 96 30-01	WHEEL ASSY		2
69	535 46 41-01	WASHER		4
70	735 31 17-00	CIRCLIP		2
71	535 47 63-01	SIDE RAIL		2
72	727 63 83-01	SCREW RSQM		4
73	734 11 56-01	WASHER		4
74	732 21 16-01	LOCK NUT		4

**X2**

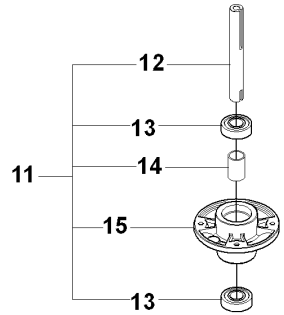
MOWER DECK, Combi 112



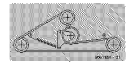
Yttre.  
Outer.  
Exterieur.  
Äusser.  
Ulko.



Mitten.  
Centre.  
Centre.  
Zentrum.  
Keski.



76  
**Combi 112**



75

Ref	Part No	Description	Remark	QTY KIT
1	544 11 30-03	CUTTING DECK		1
2	544 11 31-01	CUTTING DECK		1
3	506 91 62-01	NUT		3
4	544 44 93-01	PLUG		1
5	506 57 01-04	SCREW EHHFM		3
6	544 06 59-01	BLADE HOUSING ASSY		2
7	544 06 79-02	SHAFT		1
8	738 23 04-34	BALL BEARING		2
9	544 06 80-01	SPACING SLEEVE		1
10	544 06 78-01	BEARING HOUSING		1
11	544 06 59-02	BLADE HOUSING ASSY		1
12	544 06 79-01	SHAFT		1
13	738 23 04-34	BALL BEARING		2
14	544 06 80-01	SPACING SLEEVE		1
15	544 06 78-01	BEARING HOUSING		1
16	535 42 38-01	SCREW RSQM		12
17	734 11 64-01	WASHER		12
18	732 21 18-01	LOCK NUT		12
19	506 92 21-01	PULLEY		3
20	506 53 35-01	PARALLEL KEY		7
21	544 06 80-02	SPACING SLEEVE		1
22	506 77 86-01	PULLEY		1
23	734 11 74-41	WASHER		3
24	544 11 41-01	SCREW EHHM		3
25	535 50 42-02	ADAPTER		3
26	504 18 81-10	BLADE		3
27	506 79 23-01	KNIFE PLATE		3
28	544 11 41-01	SCREW EHHM		3
29	506 54 07-01	BELT TENSIONER ASSY		1
30	506 51 95-01	SPÄNNARM KPL.		1
31	506 53 27-01	PULLEY		1
32	734 11 64-41	WASHER		1
33	506 55 83-02	SCREW EHHFT		1
34	506 91 87-02	WASHER		1
35	725 24 51-71	SCREW EHHM		1
36	732 21 18-01	LOCK NUT		1
37	506 53 31-01	SPRING		1
38	589 51 46-01	BELT		1
39	544 09 62-01	BELT COVER		1
40	506 98 26-01	SCREW		2
41	506 55 97-01	WASHER		2
75	506 78 97-01	LABEL		1
76	544 23 81-05	LABEL		1