

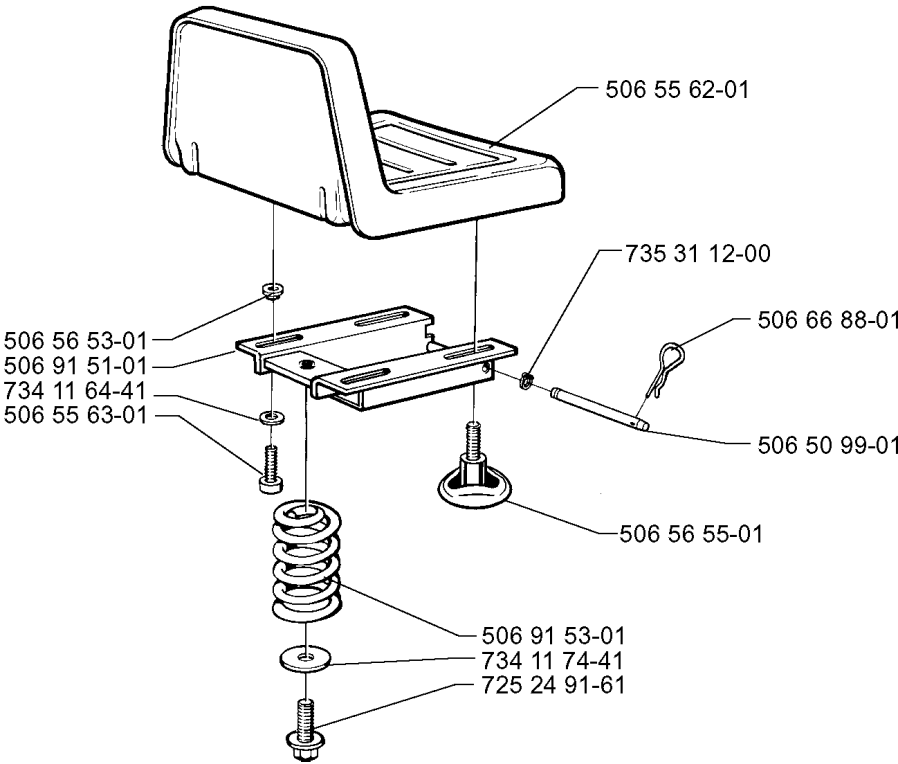


# SPARE PARTS LIST

RIDERS

RIDER 16 H, 2000-02

A



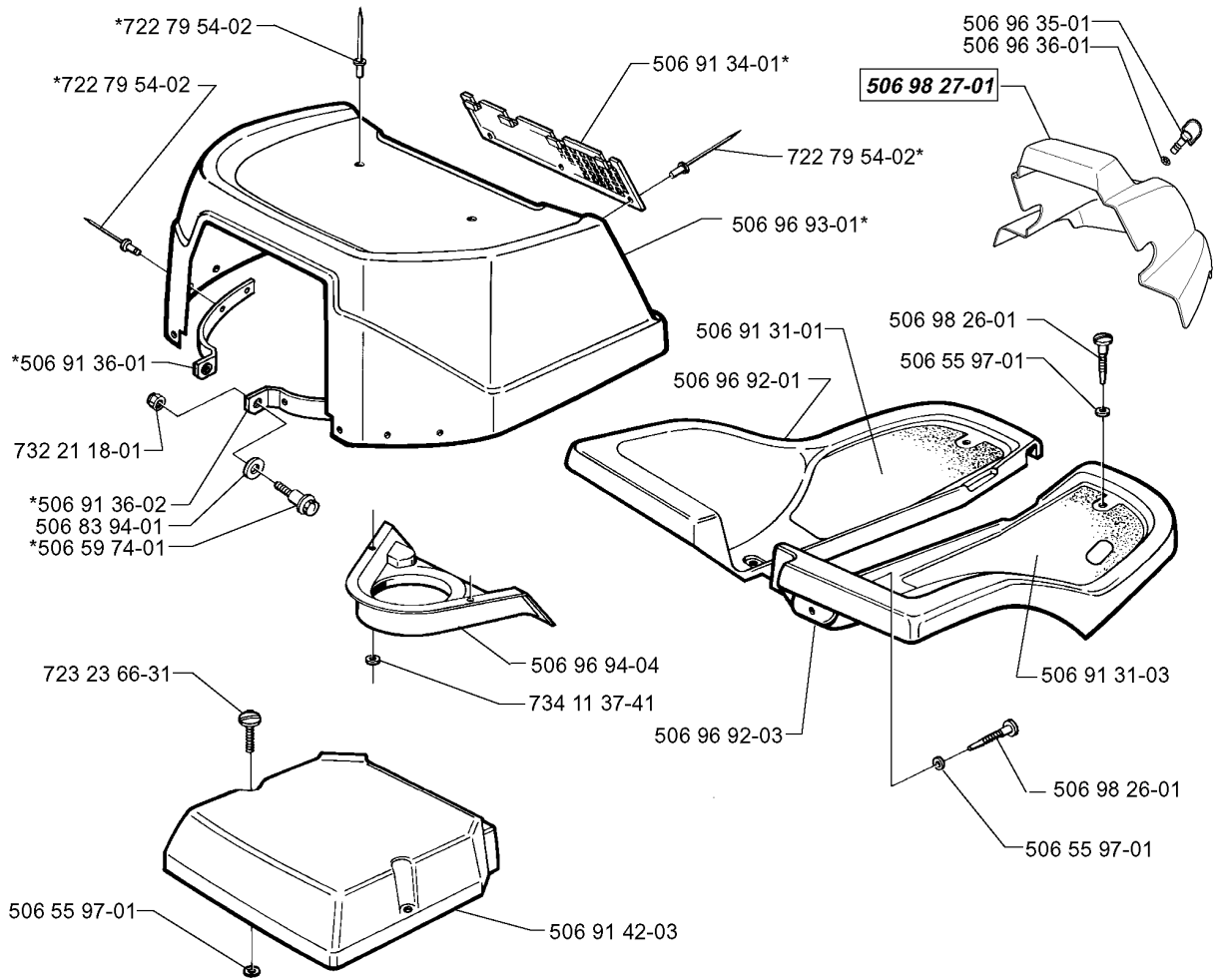
## SEAT

RIDER 16 H, 2000-02

Part No	Description	Remark	QTY KIT
506 50 99-01	SHAFT		1
506 55 62-01	SEAT		1
506 55 63-01	SCREW UNC		1
506 56 53-01	BUSHING		1
506 56 55-01	JUSTERVRED		1
506 66 88-01	SPRING COTTER		1
506 91 51-01	SEAT BRACKET ASSY		1
506 91 53-01	COMPRESSION SPRING		1
725 24 91-61	SCREW EHHFT		1
734 11 64-41	WASHER		1
734 11 74-41	WASHER		1
735 31 12-00	CIRCLIP		1

**B**

\*compl 506 98 46-02



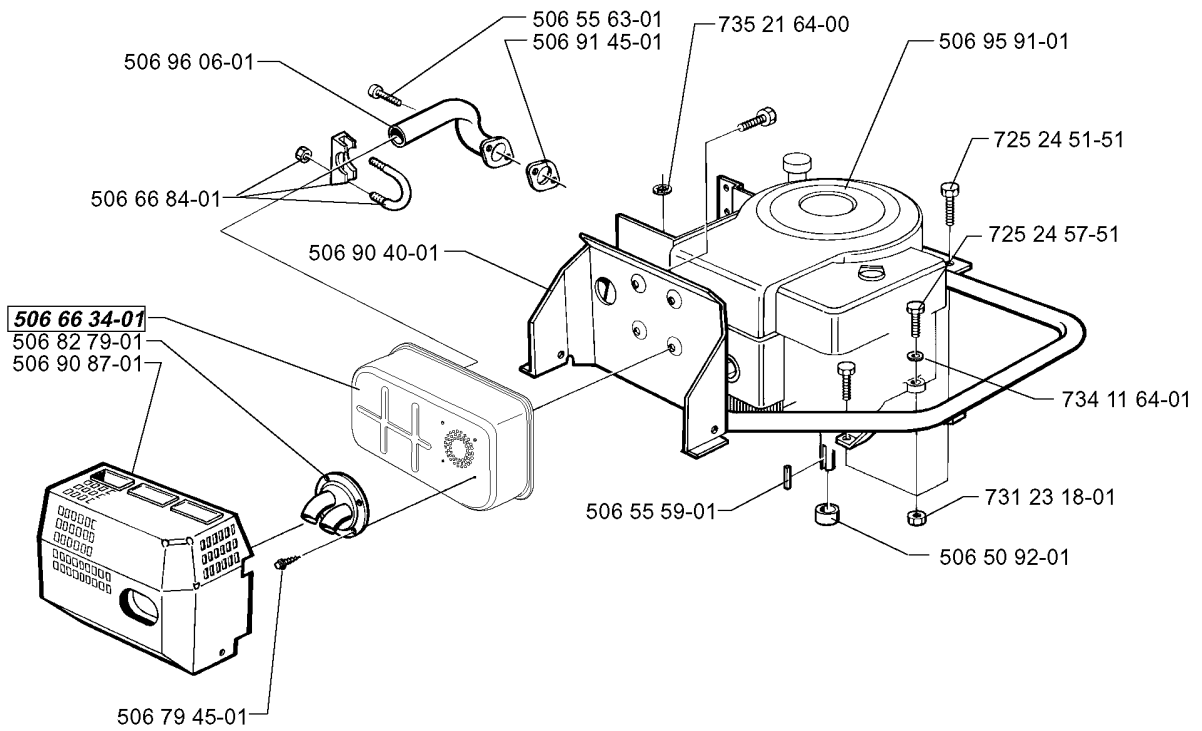
**xxx xx xx-xx** = New part

## HOOD

RIDER 16 H, 2000-02

Part No	Description	Remark	QTY KIT
506 55 97-01	WASHER		1
506 55 97-01	WASHER		1
506 55 97-01	WASHER		1
506 59 74-01	SCREW EHHFM		1
506 83 94-01	SPRING WASHER		1
506 91 31-01	FOTMATTVA		1
506 91 31-03	FOTMATTVA H.M.SPÅR		1
506 91 34-01	AIR GRIND		1
506 91 36-01	BRACKET		1
506 91 36-02	BRACKET		1
506 91 42-03	COVER		1
506 96 35-01	VRIDTAPP		1
506 96 36-01	WASHER		1
506 96 92-01	FLYGEL VÄ.		1
506 96 92-03	FLYGEL HÖ. HST		1
506 96 93-01	MOTOR COVER		1
506 96 94-04	AIR CONDUCTOR		1
506 98 26-01	SCREW		1
506 98 26-01	SCREW		1
506 98 27-01	COVER		1
506 98 46-02	ENGINE HOOD ASSY		1
722 79 54-02	RIVET		1
722 79 54-02	RIVET		1
722 79 54-02	RIVET		1
723 23 66-31	SCREW SLPANM		1
732 21 18-01	LOCK NUT		1
734 11 37-41	WASHER		1

**D** 15,5 hp B & S Diamond plus



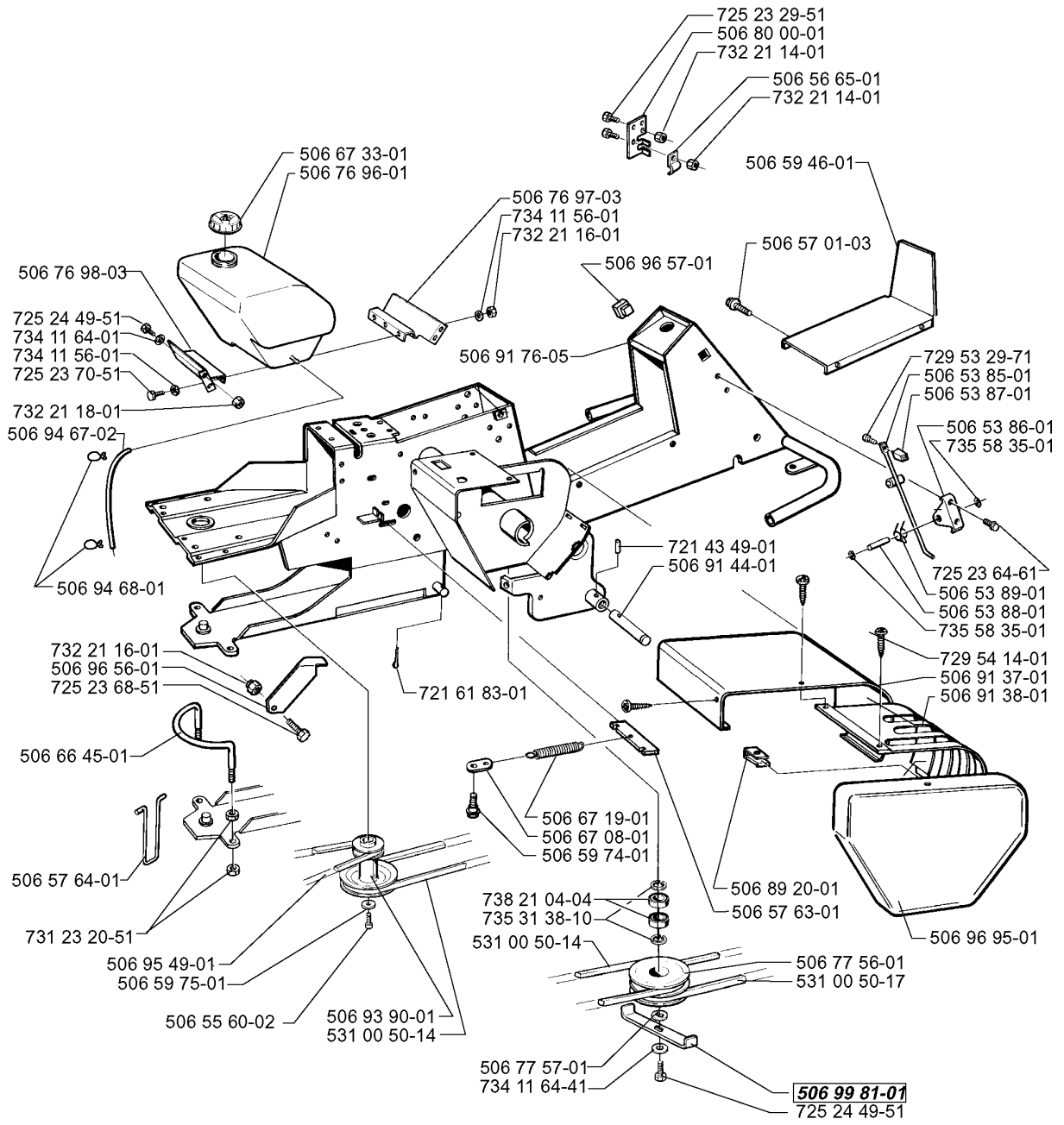
**xxx xx xx-xx** = New part

## ENGINE

RIDER 16 H, 2000-02

Part No	Description	Remark	QTY KIT
506 50 92-01	SPACING SLEEVE		1
506 55 59-01	WEDGE		1
506 55 63-01	SCREW UNC		1
506 66 34-01	MUFFLER		1
506 66 84-01	CLAMP ASSY		1
506 79 45-01	SCREW		1
506 82 79-01	DEFLECTOR		1
506 90 40-01	RÖRBYGEL KPL		1
506 90 87-01	HEAT PROTECTOR		1
506 91 45-01	GASKET		1
506 95 91-01	MOTOR		1
506 96 06-01	EXHAUST PIPE ASSY		1
725 24 51-51	SCREW		1
725 24 57-51	SCREW		1
731 23 18-01	HEXAGON NUT		1
734 11 64-01	WASHER		1
735 21 64-00	LOCKWASHER		1

E



**xxx xx xx-xx** = New part

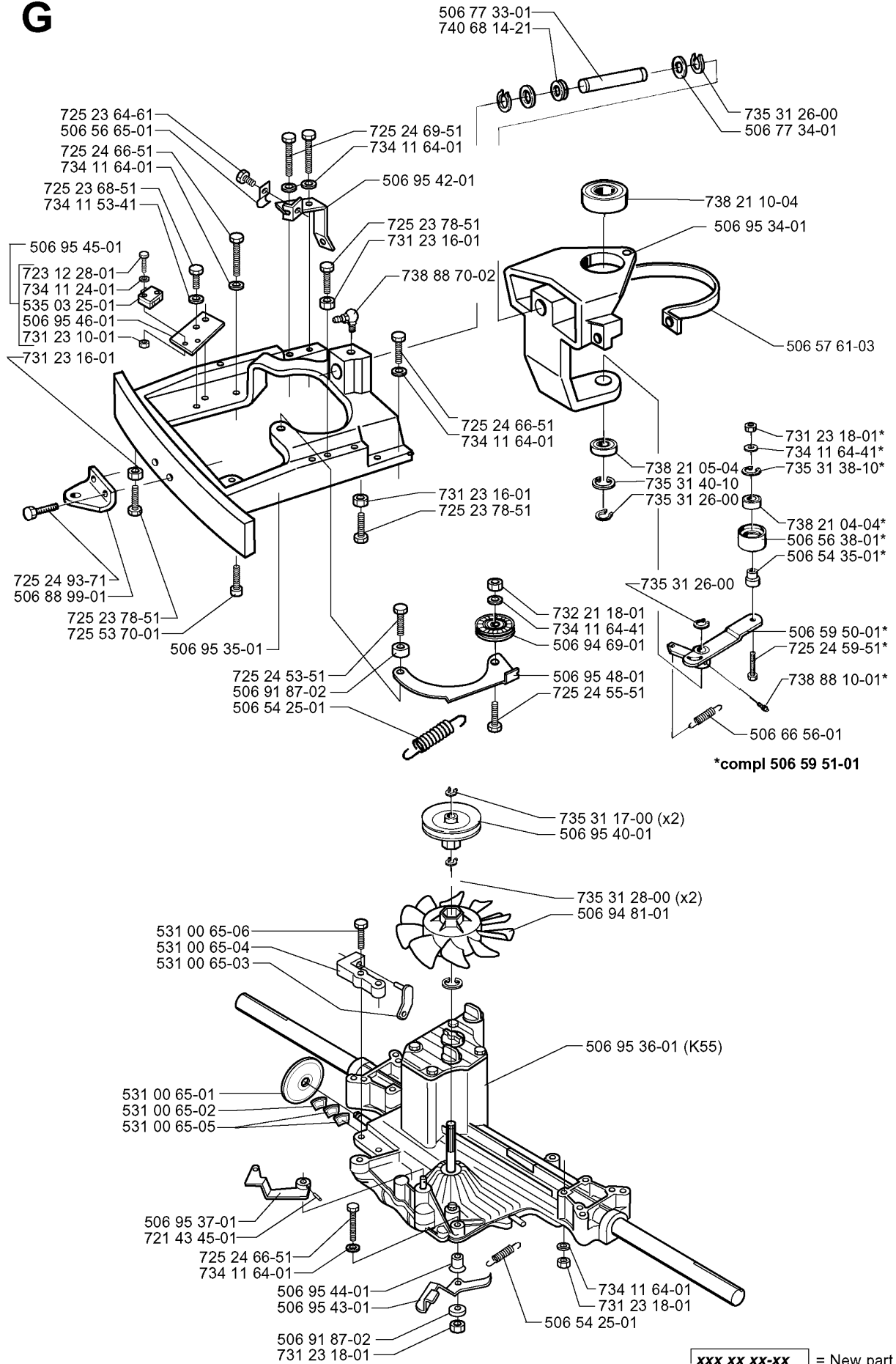


## CHASSIS / FRAME

RIDER 16 H, 2000-02

Part No	Description	Remark	QTY KIT
506 53 85-01	LOCKING ARM		1
506 53 86-01	BRACKET		1
506 53 87-01	CONTROL BUTTON		1
506 53 88-01	SHAFT		1
506 53 89-01	SPRING		1
506 55 60-02	SCREW UNC		1
506 56 65-01	CLIP		1
506 57 01-03	SCREW EHHFM		1
506 57 63-01	SPRING RETAINER		1
506 57 64-01	CABLE HOLDER		1
506 59 46-01	LOCK GOLVTUNNEL		1
506 59 74-01	SCREW EHHFM		1
506 59 75-01	WASHER		1
506 66 45-01	BELT GUIDE		1
506 67 08-01	LINK		1
506 67 19-01	SPRING		1
506 67 33-01	TANK CAP ASSY		1
506 76 96-01	FUEL TANK		1
506 76 97-03	BRACKET		1
506 76 98-03	BRACKET		1
506 77 56-01	MELLANHJUL		1
506 77 57-01	WASHER		1
506 80 00-01	BRACKET		1
506 89 20-01	SPEED NUT		1
506 91 37-01	COVER PLATE		1
506 91 38-01	CONTROL PLATE		1
506 91 44-01	WHEEL AXLE		1
506 91 76-05	FRAME		1
506 93 90-01	PULLEY		1
506 94 67-02	FUEL HOSE		1
506 94 68-01	TRÅDKLÄMMA		1
506 95 49-01	BELT		1
506 96 56-01	PROTECTIVE PLATE		1
506 96 57-01	PLUG		1
506 96 95-01	CONTROL CAP		1
506 99 81-01	BELT GUIDE		1
531 00 50-14	BELT		1
531 00 50-14	BELT		1
531 00 50-17	BELT		1
721 43 49-01	SPRING PIN		1
721 61 83-01	SPLIT PIN		1
725 23 29-51	SCREW		1
725 23 64-61	SCREW EHHFT		1
725 23 68-51	SCREW		1
725 23 70-51	SCREW		1
725 24 49-51	SCREW		1
725 24 49-51	SCREW		1
729 53 29-71	SCREW CRPANT		1
729 54 14-01	SCREW CRPANT		1
731 23 20-51	HEXAGON NUT		1
732 21 14-01	LOCK NUT		1
732 21 14-01	LOCK NUT		1
732 21 16-01	LOCK NUT		1
732 21 16-01	LOCK NUT		1
732 21 18-01	LOCK NUT		1
734 11 56-01	WASHER		1
734 11 56-01	WASHER		1
734 11 64-01	WASHER		1
734 11 64-41	WASHER		1
735 31 38-10	CIRCLIP		1
735 58 35-01	WASHER		1
735 58 35-01	WASHER		1
738 21 04-04	BALL BEARING		1

G



## TRANSMISSION

RIDER 16 H, 2000-02

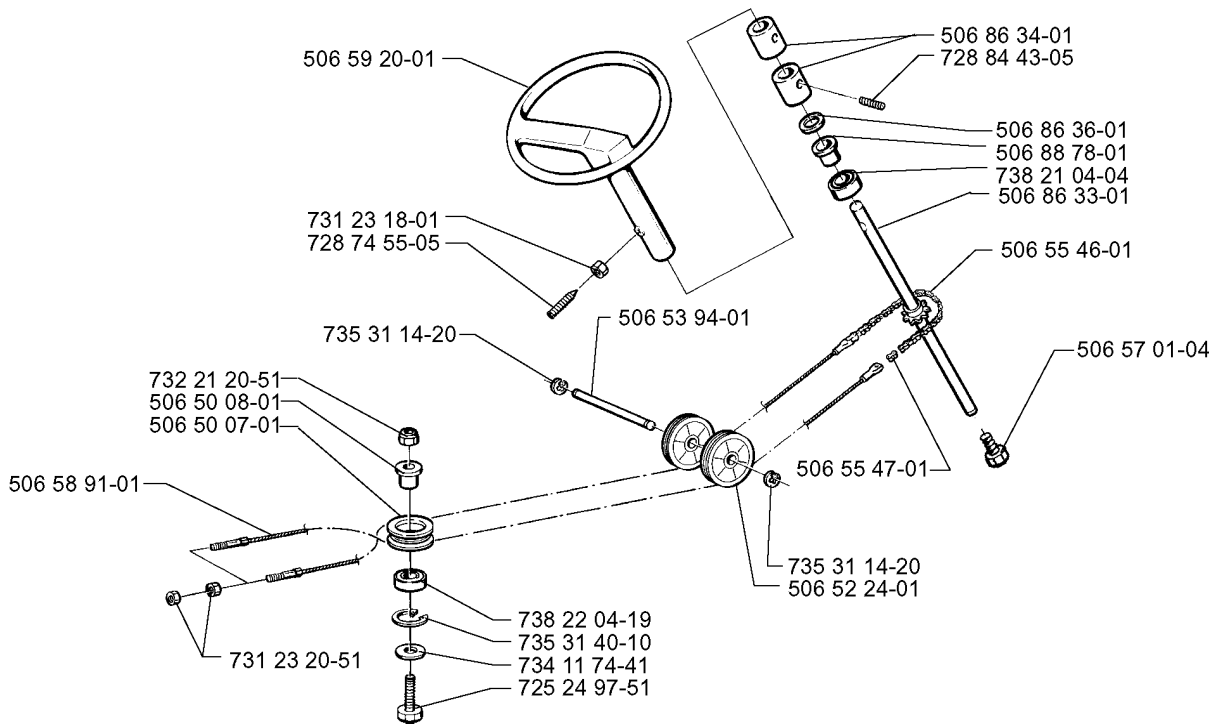
Part No	Description	Remark	QTY KIT
506 54 25-01	SPRING		1
506 54 25-01	SPRING		1
506 54 35-01	BUSHING		1
506 56 38-01	TENSION ROLLER		1
506 56 65-01	CLIP		1
506 57 61-03	STYRKANS		1
506 59 50-01	LEVER		1
506 59 51-01	REMSP. KNIVDRIVNING		1
506 66 56-01	SPRING		1
506 77 33-01	SWING AXLE		1
506 77 34-01	WASHER		1
506 88 99-01	HITCH		1
506 91 87-02	WASHER		1
506 91 87-02	WASHER		1
506 94 69-01	PULLEY		1
506 94 81-01	FAN		1
506 95 34-01	STYRSPINDEL K55		1
506 95 35-01	HYDROSTATKONSOL K55		1
506 95 36-01	TRANSMISSION	K55	1
506 95 37-01	CONTROL LEVER		1
506 95 40-01	PULLEY		1
506 95 42-01	BRACKET		1
506 95 43-01	FRIKOPPLINGSARM		1
506 95 44-01	SPACER		1
506 95 45-01	MICRO SWITCH		1
506 95 46-01	BRACKET		1
506 95 48-01	BELT TENSIONER		1
531 00 65-01	DISC		1
531 00 65-02	BRAKE PAD		1
531 00 65-03	BRAKE LEVER		1
531 00 65-04	HOLDER		1
531 00 65-05	SHIM		1
531 00 65-06	SCREW		1
535 03 25-01	SWITCH		1
721 43 45-01	SPRING PIN		1
723 12 28-01	SCREW SLCHM		1
725 23 64-61	SCREW EHHFT		1
725 23 68-51	SCREW		1
725 23 78-51	SCREW EHHM		1
725 23 78-51	SCREW EHHM		1
725 23 78-51	SCREW EHHM		1
725 24 53-51	SCREW EHHM		1
725 24 55-51	SCREW		1
725 24 59-51	SCREW EHHM		1
725 24 66-51	SCREW		1
725 24 66-51	SCREW		1
725 24 66-51	SCREW		1
725 24 69-51	SCREW EHHM		1
725 24 93-71	SCREW EHHM		1
725 53 70-01	SCREW IHSCM		1
731 23 10-01	HEXAGON NUT		1
731 23 16-01	HEXAGON NUT		1
731 23 16-01	HEXAGON NUT		1
731 23 16-01	HEXAGON NUT		1
731 23 18-01	HEXAGON NUT		1
731 23 18-01	HEXAGON NUT		1
731 23 18-01	HEXAGON NUT		1
732 21 18-01	LOCK NUT		1
734 11 24-01	WASHER		1
734 11 53-41	WASHER		1
734 11 64-01	WASHER		1
734 11 64-01	WASHER		1
734 11 64-01	WASHER		1
734 11 64-01	WASHER		1

## TRANSMISSION

RIDER 16 H, 2000-02

Part No	Description	Remark	QTY KIT
734 11 64-01	WASHER		1
734 11 64-41	WASHER		1
734 11 64-41	WASHER		1
735 31 17-00	CIRCLIP		2
735 31 26-00	CIRCLIP		1
735 31 26-00	CIRCLIP		1
735 31 26-00	CIRCLIP		1
735 31 28-00	CIRCLIP		2
735 31 38-10	CIRCLIP		1
735 31 40-10	CIRCLIP		1
738 21 04-04	BALL BEARING		1
738 21 05-04	BALL BEARING		1
738 21 10-04	BALL BEARING		1
738 88 10-01	LUBRICATION NIPPLE		1
738 88 70-02	LUBRICATION NIPPLE		1
740 68 14-21	V-RING		1

F

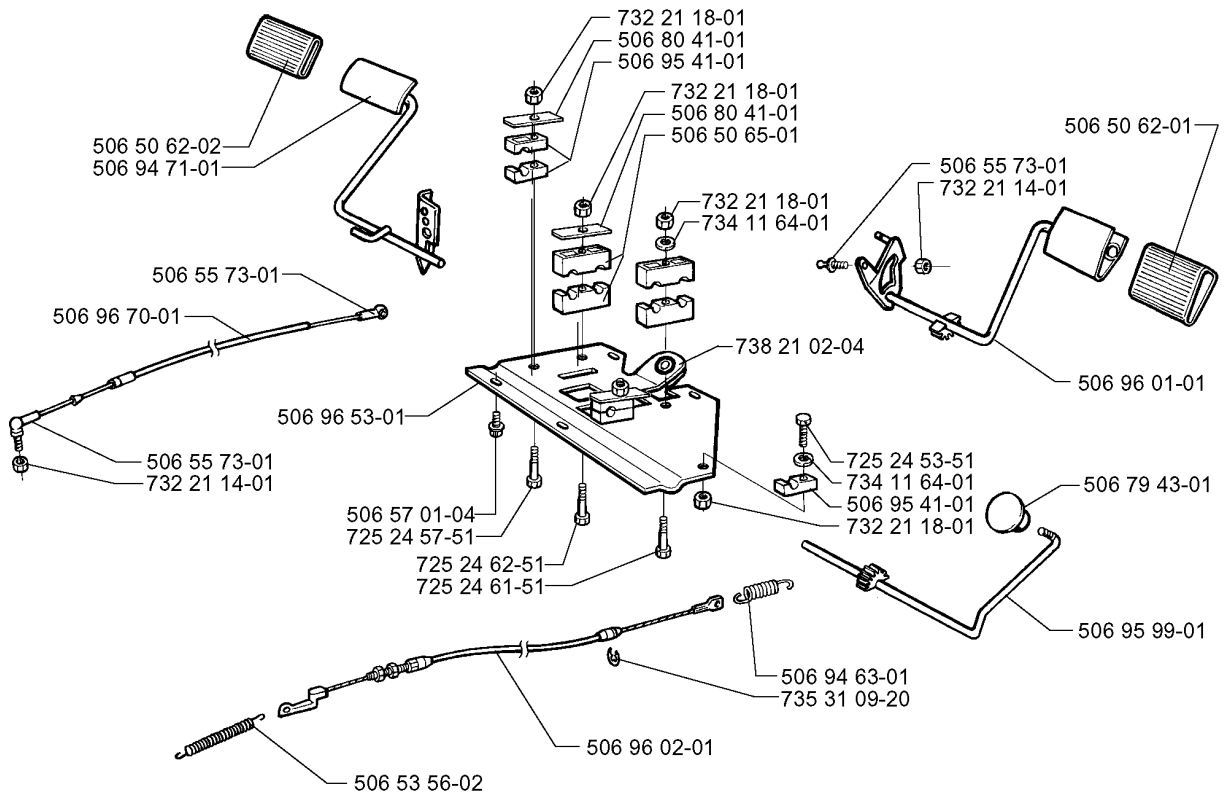


## STEERING

RIDER 16 H, 2000-02

Part No	Description	Remark	QTY KIT
506 50 07-01	BARRING WHEEL		1
506 50 08-01	BUSHING		1
506 52 24-01	STARTER PULLEY		1
506 53 94-01	SHAFT		1
506 55 46-01	CHAIN		1
506 55 47-01	LINKAGE		1
506 57 01-04	SCREW EHHFM		1
506 58 91-01	WIRE ASSY		1
506 59 20-01	STEERING WHEEL		1
506 86 33-01	ROD STEERING ASSY		1
506 86 34-01	DRIVER		1
506 86 36-01	WASHER		1
506 88 78-01	SPACER		1
725 24 97-51	SCREW		1
728 74 55-05	SCREW IHSETM		1
728 84 43-05	SCREW IHSETM		1
731 23 18-01	HEXAGON NUT		1
731 23 20-51	HEXAGON NUT		1
732 21 20-51	NUT		1
734 11 74-41	WASHER		1
735 31 14-20	E-CLIP		1
735 31 14-20	E-CLIP		1
735 31 40-10	CIRCLIP		1
738 21 04-04	BALL BEARING		1
738 22 04-19	BALL BEARING		1

# H



**xxx xx xx-xx** = New part

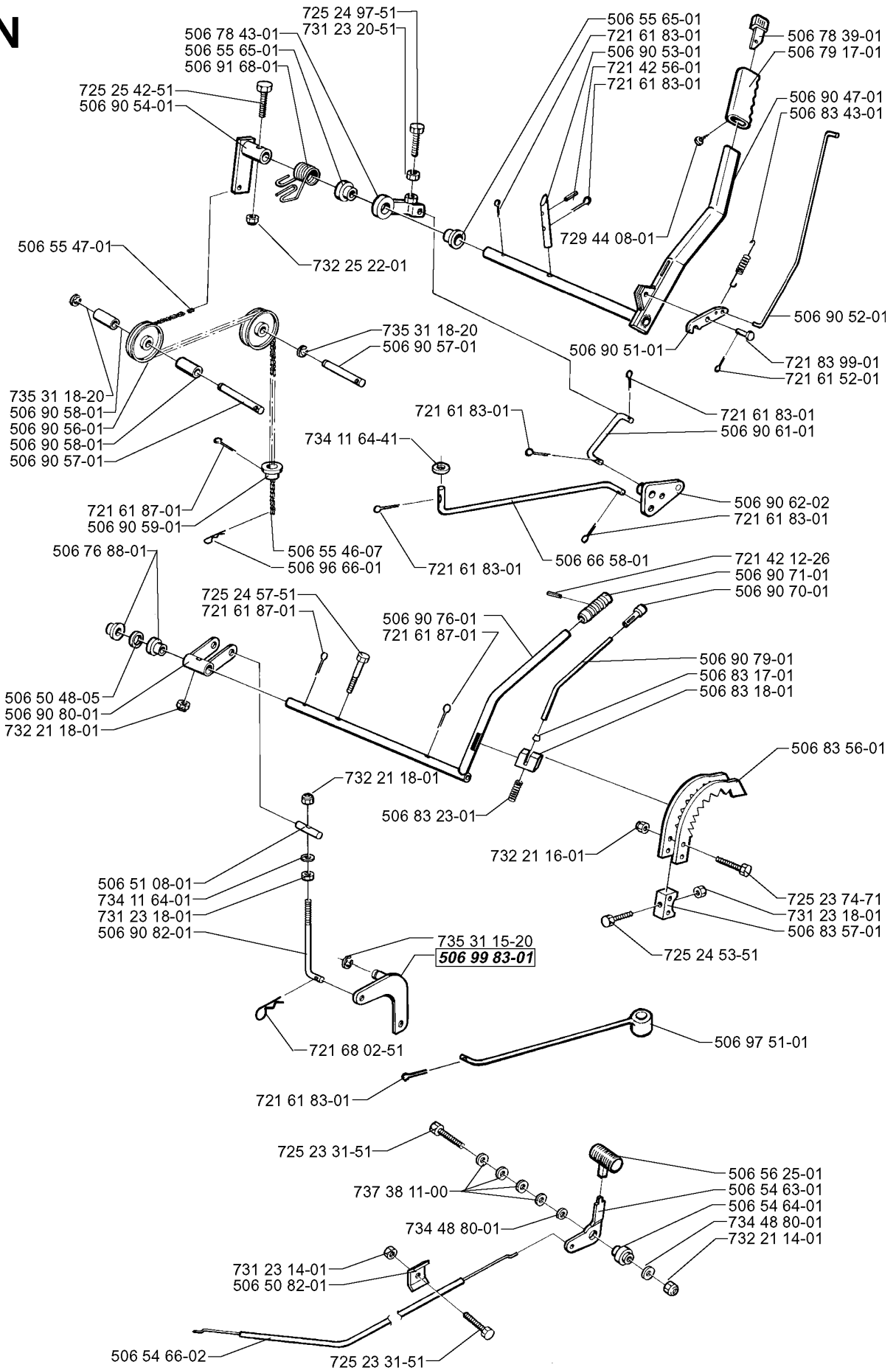
## PEDALS

RIDER 16 H, 2000-02

Part No	Description	Remark	QTY KIT
506 50 62-01	PEDAL RUBBER		1
506 50 62-02	PEDAL RUBBER		1
506 50 65-01	BEARING SUPPORT		1
506 53 56-02	SPRING		1
506 55 73-01	VINKELL.AS8 DIN71802		1
506 55 73-01	VINKELL.AS8 DIN71802		1
506 55 73-01	VINKELL.AS8 DIN71802		1
506 57 01-04	SCREW EHHFM		1
506 79 43-01	KNOB		1
506 80 41-01	PLATE		1
506 80 41-01	PLATE		1
506 94 63-01	BRAKE SPRING		1
506 94 71-01	BRAKE PEDAL ASSY		1
506 95 41-01	BEARING SUPPORT		1
506 95 41-01	BEARING SUPPORT		1
506 95 99-01	REVERSE PEDAL		1
506 96 01-01	HYDROSTATIC PEDAL ASSY		1
506 96 02-01	BROMSWIRE KPL.		1
506 96 53-01	PEDAL PLATE		1
506 96 70-01	HYDROSTATIC CABLE		1
725 24 53-51	SCREW EHHM		1
725 24 57-51	SCREW		1
725 24 61-51	SCREW EHHM		1
725 24 62-51	SCREW EHHM		1
732 21 14-01	LOCK NUT		1
732 21 14-01	LOCK NUT		1
732 21 18-01	LOCK NUT		1
732 21 18-01	LOCK NUT		1
732 21 18-01	LOCK NUT		1
732 21 18-01	LOCK NUT		1
734 11 64-01	WASHER		1
734 11 64-01	WASHER		1
735 31 09-20	E-CLIP		1
738 21 02-04	BALL BEARING		1



N



XXX XX XX-XX = New part

## CONTROLS

RIDER 16 H, 2000-02

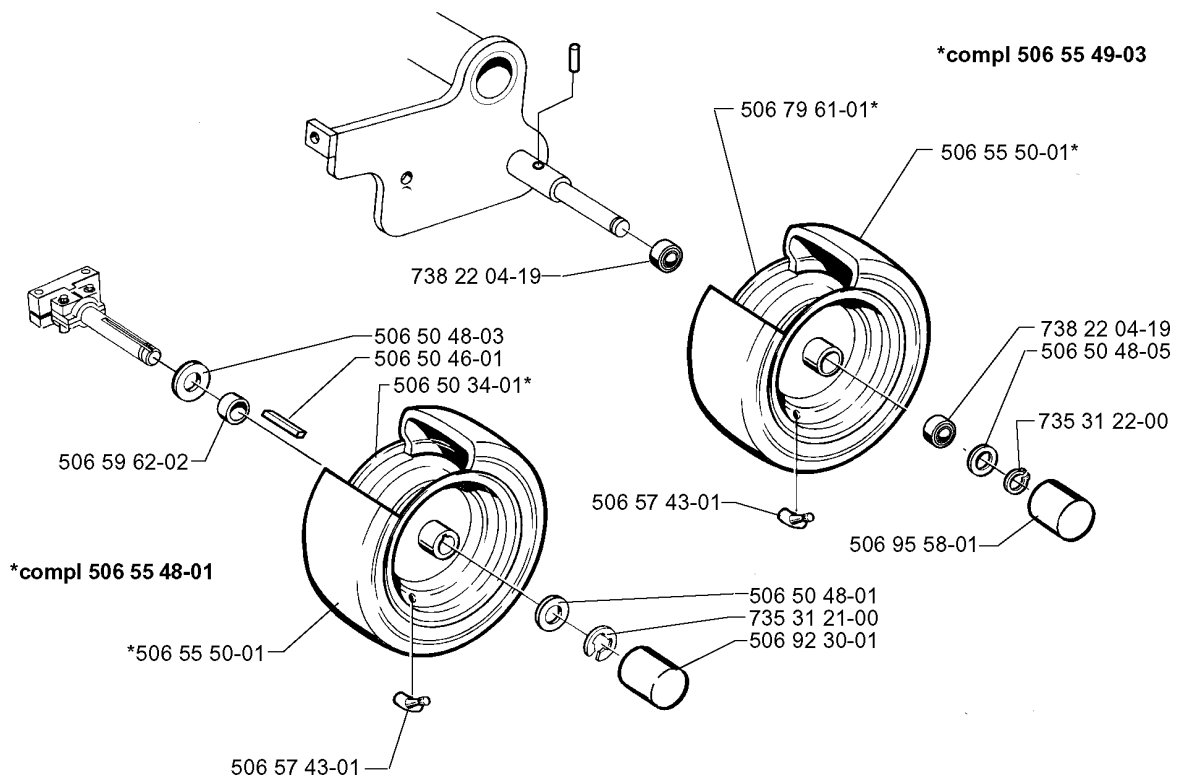
Part No	Description	Remark	QTY KIT
506 50 48-05	WASHER		1
506 50 82-01	CLIP		1
506 51 08-01	NIPPLE		1
506 54 63-01	LEVER THROTTLE CONTR		1
506 54 64-01	BUSHING		1
506 54 66-02	THROTTLE CABLE ASSY		1
506 55 46-07	CHAIN		1
506 55 47-01	LINKAGE		1
506 55 65-01	BEARING		1
506 55 65-01	BEARING		1
506 56 25-01	HANDLE		1
506 66 58-01	CLUTCH ROD REAR		1
506 76 88-01	BUSHING		1
506 78 39-01	BUTTON		1
506 78 43-01	LINK ASSY		1
506 79 17-01	HANDLE		1
506 83 17-01	END FITTING		1
506 83 18-01	LOCK		1
506 83 23-01	SPRING		1
506 83 43-01	SPRING		1
506 83 56-01	HÖJDSEGMENT		1
506 83 57-01	BRACKET		1
506 90 47-01	LIFT LEVER Cmpl		1
506 90 51-01	CATCH		1
506 90 52-01	PUSH ROD		1
506 90 53-01	PEN		1
506 90 54-01	LIFTING ARM		1
506 90 56-01	OFFSET PULLEY		1
506 90 57-01	SHAFT		1
506 90 57-01	SHAFT		1
506 90 58-01	TUBE SLEEVE		1
506 90 58-01	TUBE SLEEVE		1
506 90 59-01	CHAIN STOP		1
506 90 61-01	CONNECTION ROD		1
506 90 62-02	LINK ASSY		1
506 90 70-01	KNOB		1
506 90 71-01	HANDLE		1
506 90 76-01	LIFTING LEVER ASSY		1
506 90 79-01	PUSH ROD		1
506 90 80-01	LEVER		1
506 90 82-01	HEIGHT ROD		1
506 91 68-01	SPRING		1
506 96 66-01	HAIR PIN COTTER		1
506 97 51-01	CONNECTOR		1
506 99 83-01	LINK ASSY		1
721 42 12-26	SPRING PIN		1
721 42 56-01	SPRING PIN		1
721 61 52-01	SPLIT PIN		1
721 61 83-01	SPLIT PIN		1
721 61 83-01	SPLIT PIN		1
721 61 83-01	SPLIT PIN		1
721 61 83-01	SPLIT PIN		1
721 61 83-01	SPLIT PIN		1
721 61 83-01	SPLIT PIN		1
721 61 83-01	SPLIT PIN		1
721 61 87-01	SPLIT PIN		1
721 61 87-01	SPLIT PIN		1
721 61 87-01	SPLIT PIN		1
721 68 02-51	SPRING COTTER		1
721 83 99-01	CLEVIS PIN		1
725 23 31-51	SCREW		1
725 23 31-51	SCREW		1
725 23 74-71	SCREW EHHM		1
725 24 53-51	SCREW EHHM		1

## CONTROLS

RIDER 16 H, 2000-02

Part No	Description	Remark	QTY KIT
725 24 57-51	SCREW		1
725 24 97-51	SCREW		1
725 25 42-51	SCREW EHHM		1
729 44 08-01	SCREW SLCSRT		1
731 23 14-01	HEXAGON NUT		1
731 23 18-01	HEXAGON NUT		1
731 23 18-01	HEXAGON NUT		1
731 23 20-51	HEXAGON NUT		1
732 21 14-01	LOCK NUT		1
732 21 16-01	LOCK NUT		1
732 21 18-01	LOCK NUT		1
732 21 18-01	LOCK NUT		1
732 25 22-01	HEXAGON LOCKING NUT		1
734 11 64-01	WASHER		1
734 11 64-41	WASHER		1
734 48 80-01	WASHER		1
734 48 80-01	WASHER		1
735 31 15-20	E-CLIP		1
735 31 18-20	E-CLIP		1
735 31 18-20	E-CLIP		1
737 38 11-00	DISC SPRING		1

L

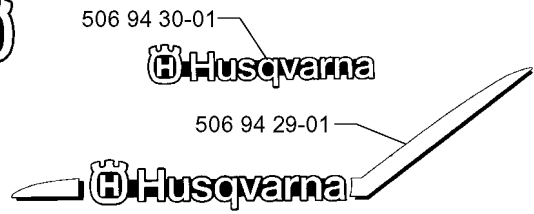
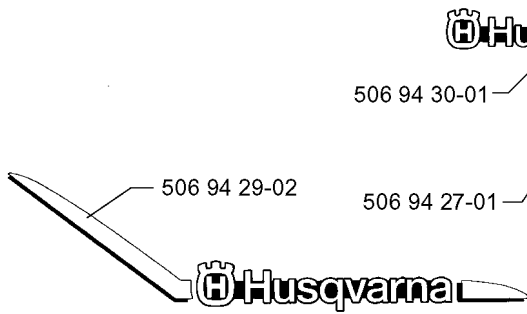
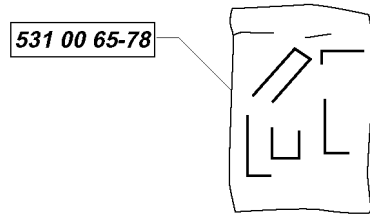
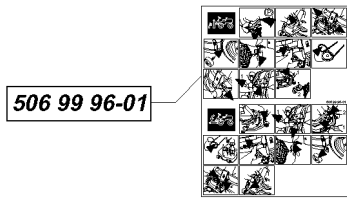


## WHEELS &amp; TIRES

RIDER 16 H, 2000-02

Part No	Description	Remark	QTY KIT
506 50 34-01	RIM		1
506 50 46-01	WEDGE		1
506 50 48-01	WASHER		1
506 50 48-03	WASHER		1
506 50 48-05	WASHER		1
506 55 48-01	REAR WHEEL		1
506 55 49-03	WHEEL		1
506 55 50-01	TIRE		1
506 55 50-01	TIRE		1
506 57 43-01	VALVE ASSY		1
506 57 43-01	VALVE ASSY		1
506 59 62-02	SPACING SLEEVE		1
506 79 61-01	RIM		1
506 92 30-01	RUND FOT UKB 30 S		1
506 95 58-01	CUP		1
735 31 21-00	CIRCLIP		1
735 31 22-00	CIRCLIP		1
738 22 04-19	BALL BEARING		1
738 22 04-19	BALL BEARING		1

# M

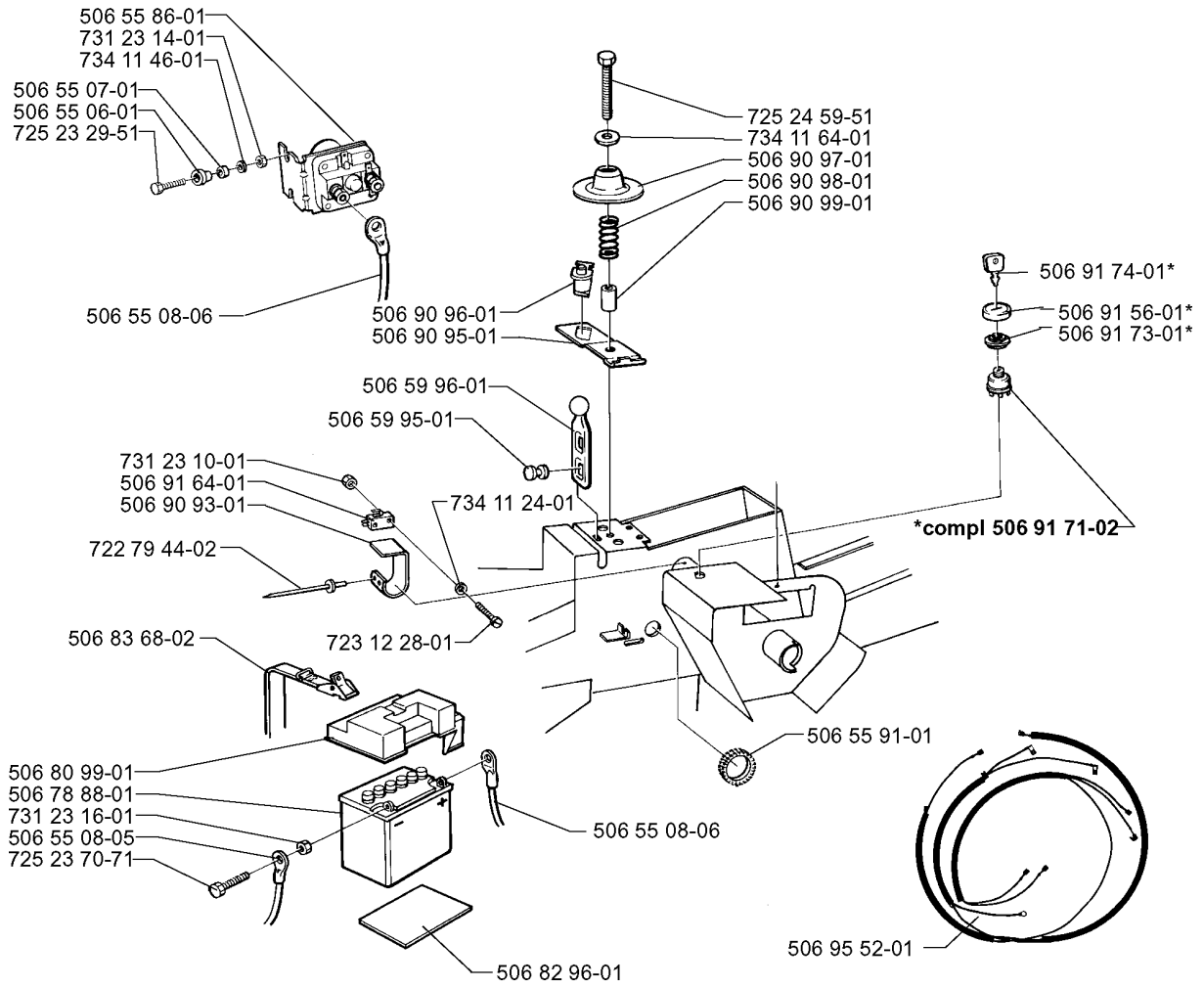


## DECALS

RIDER 16 H, 2000-02

Part No	Description	Remark	QTY KIT
501 69 17-02	COMBINATION WRENCH		1
502 71 36-01	SPANNER		1
506 94 27-01	DECAL		1
506 94 29-01	VINGAR MOTORKÅPA V.		1
506 94 29-02	VINGAR MOTORKÅPA H.		1
506 94 30-01	DECAL		1
506 94 30-01	DECAL		1
506 94 34-05	STRIPES MOTORKÅPA V		1
506 94 34-06	STRIPES MOTORKÅPA H		1
506 99 96-01	LABEL		1
531 00 65-78	DECAL		1

C



xxx xx xx-xx = New part

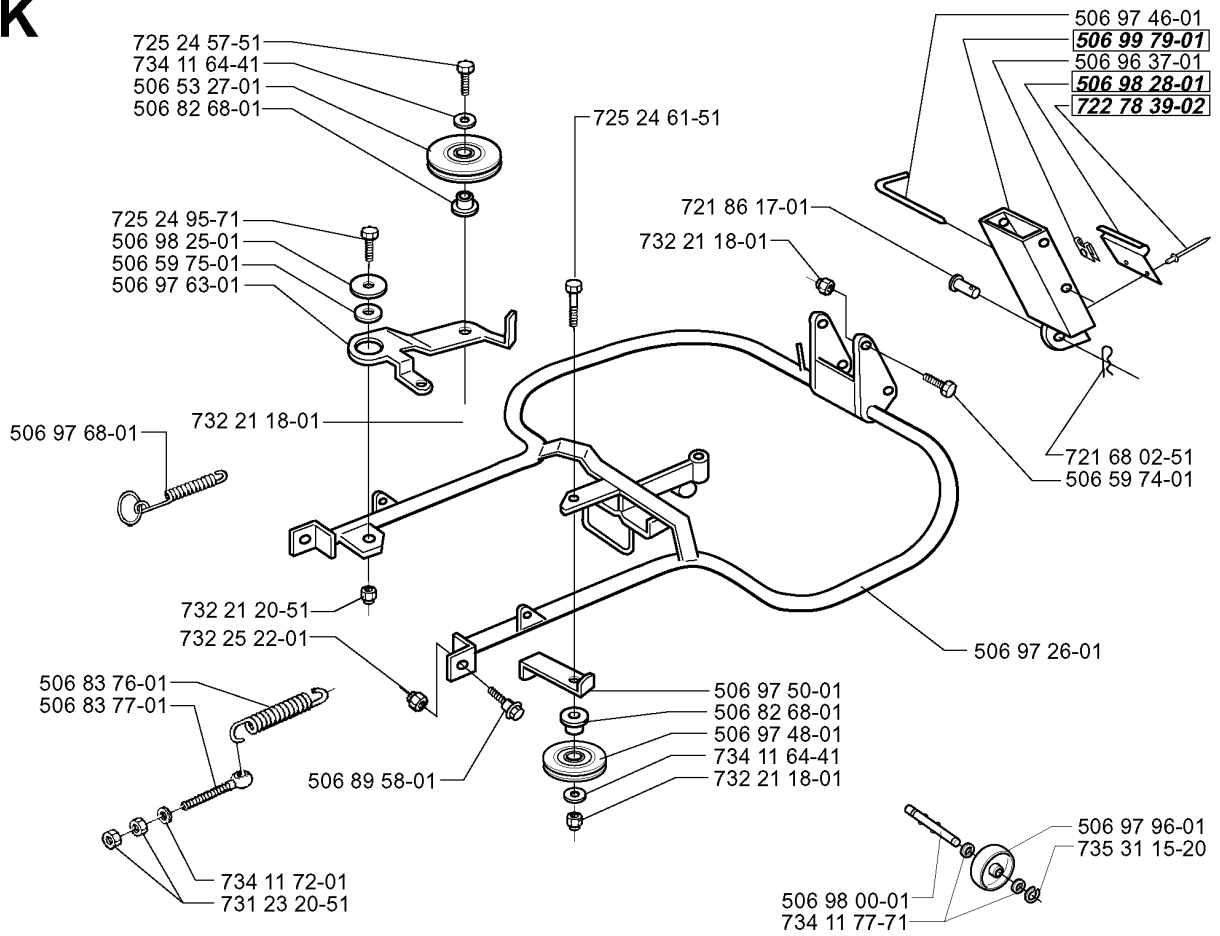


## ELECTRICAL

RIDER 16 H, 2000-02

Part No	Description	Remark	QTY KIT
506 55 06-01	PLUG		1
506 55 07-01	INSULATING WASHER		1
506 55 08-05	STARTKABEL BATT-JORD		1
506 55 08-06	STARTKABEL BATT-RELÄ		1
506 55 08-06	STARTKABEL BATT-RELÄ		1
506 55 86-01	RELAY		1
506 55 91-01	SKAVSKYDD		1
506 59 95-01	BUTTON		1
506 59 96-01	GUMMISTROPP		1
506 78 88-01	BATTERY		1
506 80 99-01	BATTERY COVER		1
506 82 96-01	BATTERY MAT		1
506 83 68-02	BELT		1
506 90 93-01	PLATE SPRING		1
506 90 95-01	SWITCH ATTACHMENT SE		1
506 90 96-01	SWITCH		1
506 90 97-01	SPRING WASHER		1
506 90 98-01	SPRING		1
506 90 99-01	SPACING TUBE		1
506 91 56-01	PROTECTION		1
506 91 64-01	MICRO SWITCH		1
506 91 71-02	IGNITION LOCK		1
506 91 73-01	NUT		1
506 91 74-01	KEY		1
506 95 52-01	WIRING		1
722 79 44-02	RIVET		1
723 12 28-01	SCREW SLCHM		1
725 23 29-51	SCREW		1
725 23 70-71	SCREW EHHM		1
725 24 59-51	SCREW EHHM		1
731 23 10-01	HEXAGON NUT		1
731 23 14-01	HEXAGON NUT		1
731 23 16-01	HEXAGON NUT		1
734 11 24-01	WASHER		1
734 11 46-01	WASHER		1
734 11 64-01	WASHER		1

**K**

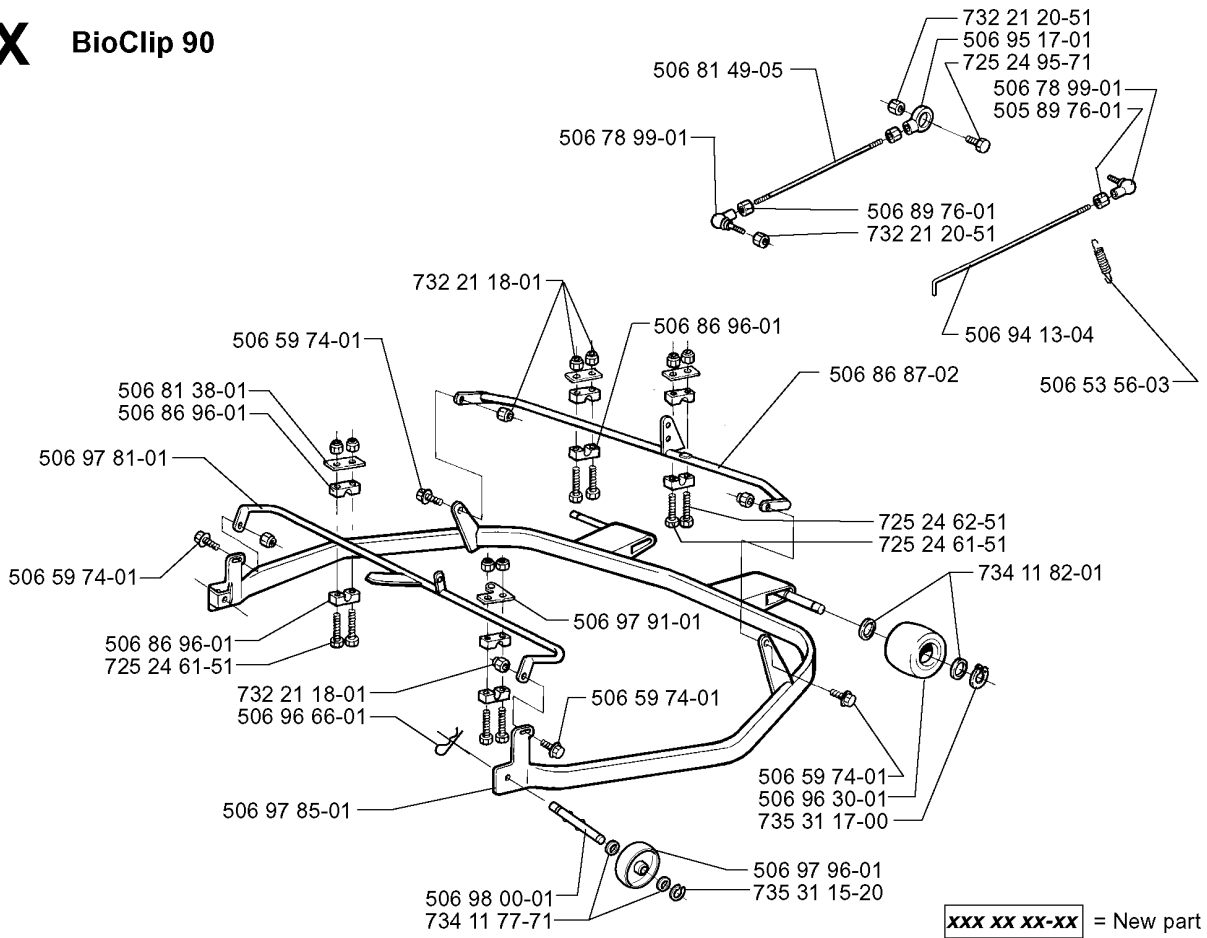


## FRAME

RIDER 16 H, 2000-02

Part No	Description	Remark	QTY KIT
506 53 27-01	PULLEY		1
506 59 74-01	SCREW EHHFM		1
506 59 75-01	WASHER		1
506 82 68-01	BUSHING		1
506 82 68-01	BUSHING		1
506 83 76-01	SPRING		1
506 83 77-01	RING BOLT		1
506 89 58-01	COLLAR SCREW		1
506 96 37-01	LÅSDON		1
506 97 26-01	DECK ATTACHMENT ASSY		1
506 97 46-01	PEN		1
506 97 48-01	PULLEY		1
506 97 50-01	BELT GUIDE		1
506 97 63-01	SPÄNNARM		1
506 97 68-01	SPRING		1
506 97 96-01	WHEEL		1
506 98 00-01	SHAFT		1
506 98 25-01	WASHER		1
506 98 28-01	BRACKET		1
506 99 79-01	LINK ASSY		1
721 68 02-51	SPRING COTTER		1
721 86 17-01	CLEVIS PIN		1
722 78 39-02	BLIND RIVET		1
725 24 57-51	SCREW		1
725 24 61-51	SCREW EHHM		1
725 24 95-71	SCREW EHHM		1
731 23 20-51	HEXAGON NUT		1
732 21 18-01	LOCK NUT		1
732 21 18-01	LOCK NUT		1
732 21 18-01	LOCK NUT		1
732 21 20-51	NUT		1
732 25 22-01	HEXAGON LOCKING NUT		1
734 11 64-41	WASHER		1
734 11 64-41	WASHER		1
734 11 72-01	WASHER		1
734 11 77-71	WASHER		1
735 31 15-20	E-CLIP		1

**X BioClip 90**

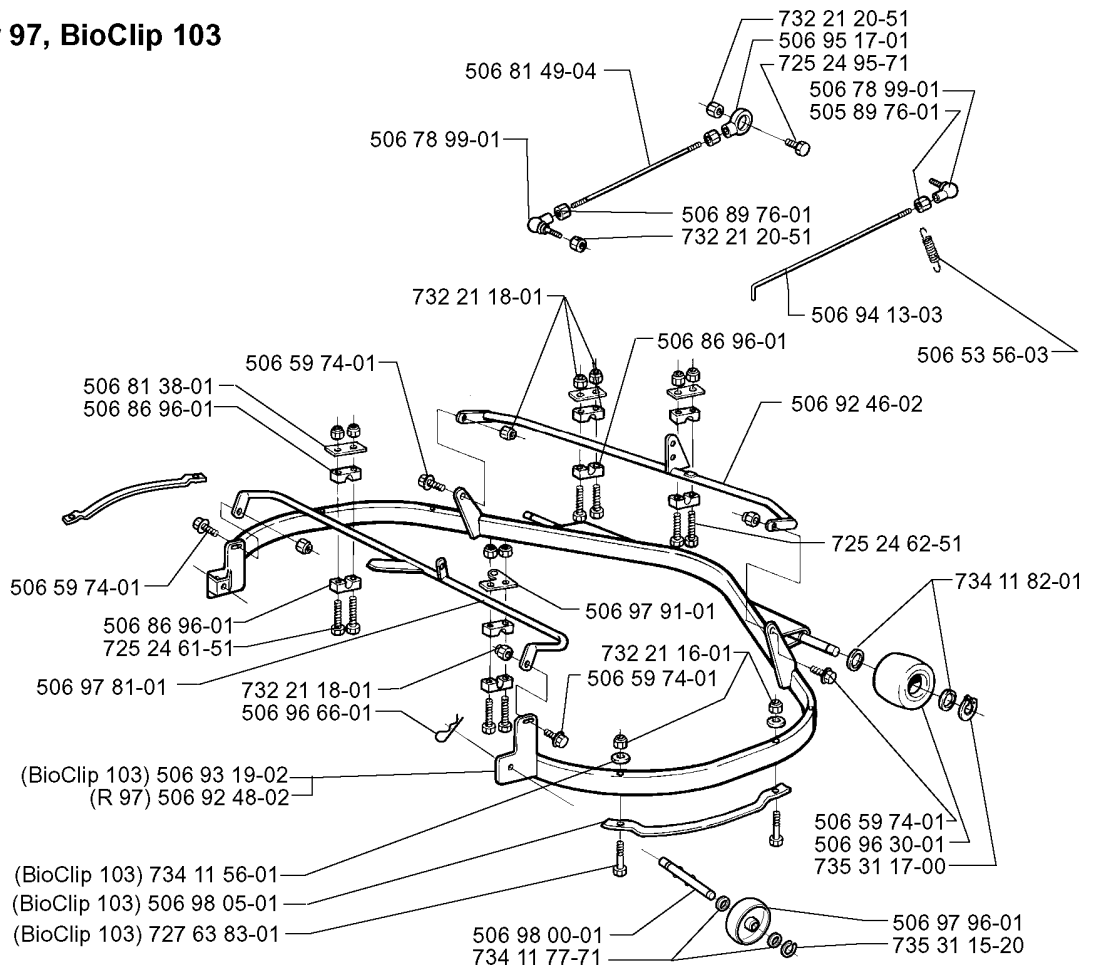


## PROTECTION FRAME

RIDER 16 H, 2000-02

Part No	Description	Remark	QTY KIT
505 89 76-01	NUT		1
506 53 56-03	DRAW SPRING		1
506 59 74-01	SCREW EHHFM		1
506 59 74-01	SCREW EHHFM		1
506 59 74-01	SCREW EHHFM		1
506 59 74-01	SCREW EHHFM		1
506 78 99-01	VINKELLÄNK DIN 71802		1
506 78 99-01	VINKELLÄNK DIN 71802		1
506 81 38-01	REINFORCING PLATE		1
506 81 49-05	ROD		1
506 86 87-02	FRÄMRE TVÄRRÖR KPL.		1
506 86 96-01	BEARING		1
506 86 96-01	BEARING		1
506 86 96-01	BEARING		1
506 89 76-01	NUT		1
506 94 13-04	CONNECTION ROD		1
506 95 17-01	ROD END		1
506 96 30-01	WHEEL ASSY		1
506 96 66-01	HAIR PIN COTTER		1
506 97 81-01	BAKRE TVÄRRÖR KPL.		1
506 97 85-01	HAND GUARD ASSY		1
506 97 91-01	SERVICEBRICKA		1
506 97 96-01	WHEEL		1
506 98 00-01	SHAFT		1
725 24 61-51	SCREW EHHM		1
725 24 61-51	SCREW EHHM		1
725 24 62-51	SCREW EHHM		1
725 24 95-71	SCREW EHHM		1
732 21 18-01	LOCK NUT		1
732 21 18-01	LOCK NUT		1
732 21 20-51	NUT		1
732 21 20-51	NUT		1
734 11 77-71	WASHER		1
734 11 82-01	WASHER		1
735 31 15-20	E-CLIP		1
735 31 17-00	CIRCLIP		1

**T** Rear 97, BioClip 103

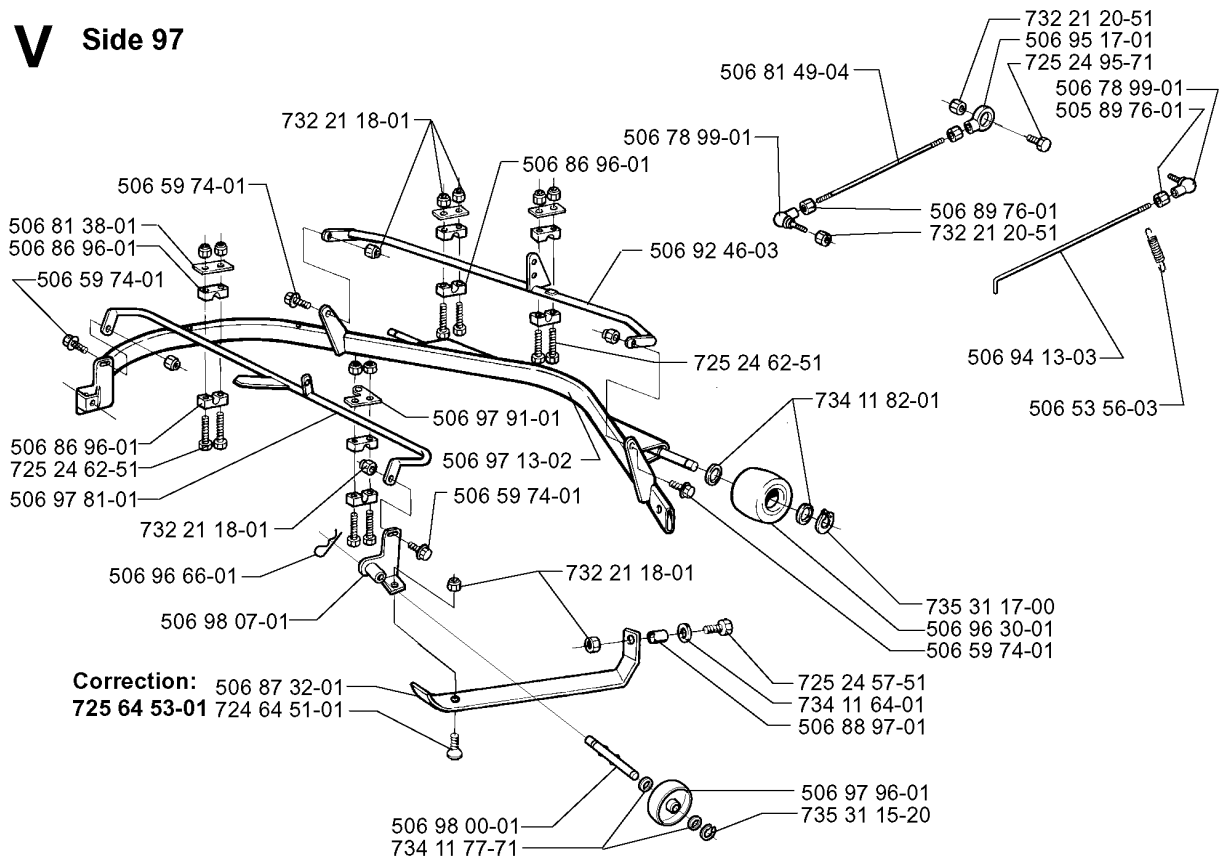


## PROTECTION FRAME

RIDER 16 H, 2000-02

Part No	Description	Remark	QTY KIT
505 89 76-01	NUT		1
506 53 56-03	DRAW SPRING		1
506 59 74-01	SCREW EHHFM		1
506 59 74-01	SCREW EHHFM		1
506 59 74-01	SCREW EHHFM		1
506 59 74-01	SCREW EHHFM		1
506 78 99-01	VINKELLÄNK DIN 71802		1
506 78 99-01	VINKELLÄNK DIN 71802		1
506 81 38-01	REINFORCING PLATE		1
506 81 49-04	ROD		1
506 86 96-01	BEARING		1
506 86 96-01	BEARING		1
506 86 96-01	BEARING		1
506 89 76-01	NUT		1
506 92 46-02	FRÄMRE TVÄRRÖR KPL.		1
506 92 48-02	PROTECTIVE TUBING	R 97	1
506 93 19-02	PROTECTIVE TUBING	BIOCLIP 103	1
506 94 13-03	CONNECTION ROD		1
506 95 17-01	ROD END		1
506 96 30-01	WHEEL ASSY		1
506 96 66-01	HAIR PIN COTTER		1
506 97 81-01	BAKRE TVÄRRÖR KPL.		1
506 97 91-01	SERVICEBRICKA		1
506 97 96-01	WHEEL		1
506 98 00-01	SHAFT		1
506 98 05-01	SIDOSKENA KPL.	BIOCLIP 103	1
725 24 61-51	SCREW EHHM		1
725 24 62-51	SCREW EHHM		1
725 24 95-71	SCREW EHHM		1
727 63 83-01	SCREW RSQM	BIOCLIP 103	1
732 21 16-01	LOCK NUT		1
732 21 18-01	LOCK NUT		1
732 21 18-01	LOCK NUT		1
732 21 20-51	NUT		1
732 21 20-51	NUT		1
734 11 56-01	WASHER	BIOCLIP 103	1
734 11 77-71	WASHER		1
734 11 82-01	WASHER		1
735 31 15-20	E-CLIP		1
735 31 17-00	CIRCLIP		1

**V Side 97**



**xxx xx xx-xx** = New part



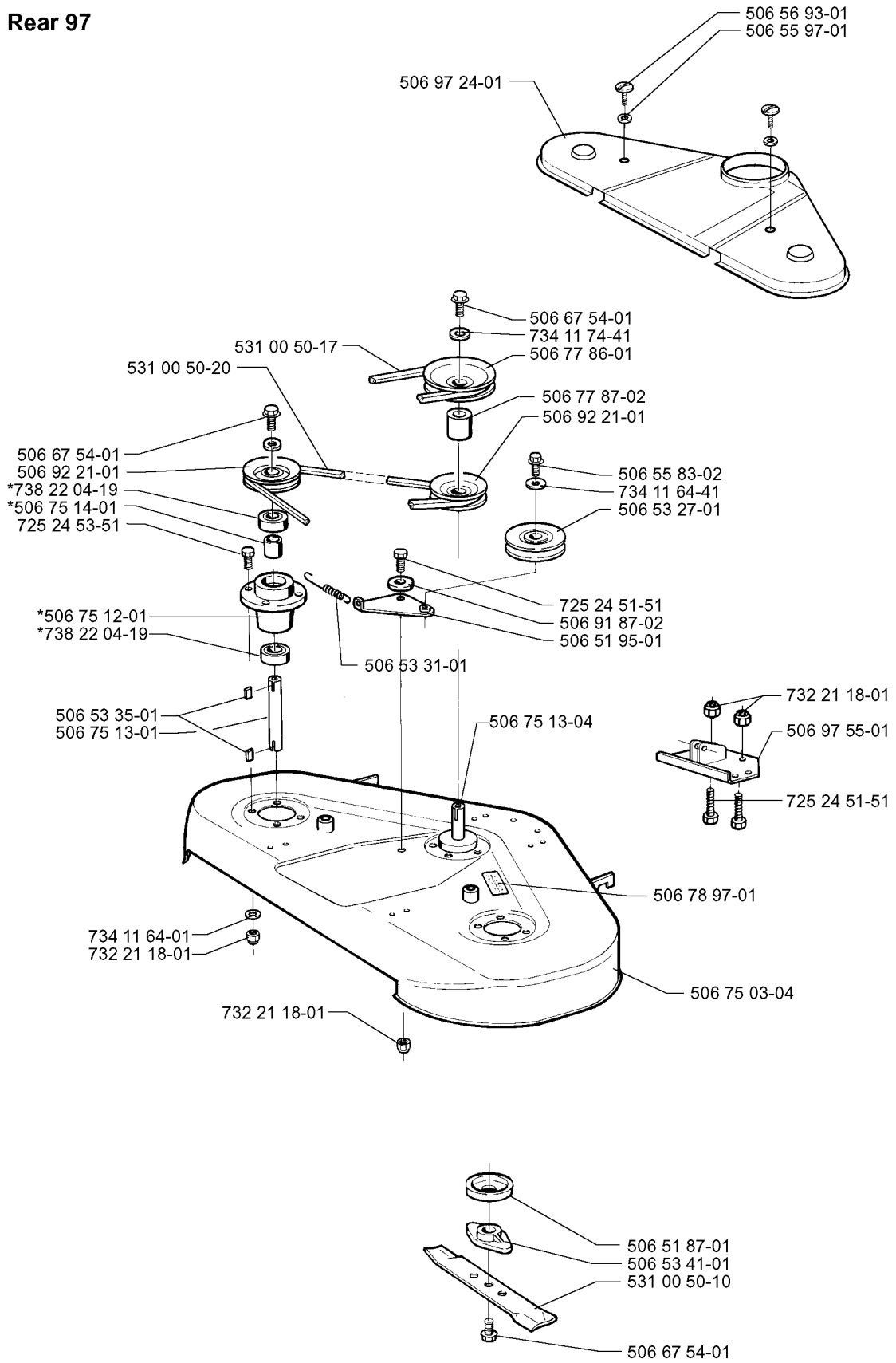
## PROTECTION FRAME

RIDER 16 H, 2000-02

Part No	Description	Remark	QTY KIT
505 89 76-01	NUT		1
506 53 56-03	DRAW SPRING		1
506 59 74-01	SCREW EHHFM		1
506 59 74-01	SCREW EHHFM		1
506 59 74-01	SCREW EHHFM		1
506 59 74-01	SCREW EHHFM		1
506 78 99-01	VINKELLÄNK DIN 71802		1
506 78 99-01	VINKELLÄNK DIN 71802		1
506 81 38-01	REINFORCING PLATE		1
506 81 49-04	ROD		1
506 86 96-01	BEARING		1
506 86 96-01	BEARING		1
506 86 96-01	BEARING		1
506 87 32-01	BAR		1
506 88 97-01	SPACING SLEEVE		1
506 89 76-01	NUT		1
506 92 46-03	FRÄMRE TVÄRRÖR KPL.		1
506 94 13-03	CONNECTION ROD		1
506 95 17-01	ROD END		1
506 96 30-01	WHEEL ASSY		1
506 96 66-01	HAIR PIN COTTER		1
506 97 13-02	PROTECTIVE TUBING		1
506 97 81-01	BAKRE TVÄRRÖR KPL.		1
506 97 91-01	SERVICEBRICKA		1
506 97 96-01	WHEEL		1
506 98 00-01	SHAFT		1
506 98 07-01	BRACKET		1
725 24 57-51	SCREW		1
725 24 62-51	SCREW EHHM		1
725 24 62-51	SCREW EHHM		1
725 24 95-71	SCREW EHHM		1
725 64 53-01	SCREW IHCSFM	CORRECTION:	1
732 21 18-01	LOCK NUT		1
732 21 18-01	LOCK NUT		1
732 21 18-01	LOCK NUT		1
732 21 20-51	NUT		1
732 21 20-51	NUT		1
734 11 64-01	WASHER		1
734 11 77-71	WASHER		1
734 11 82-01	WASHER		1
735 31 15-20	E-CLIP		1
735 31 17-00	CIRCLIP		1

**J** \*compl 506 75 11-01 Yttre. Outer. Exterieur. Äusser. Ulko.  
\*compl 506 75 11-04 Mitten. Centre. Centre. Zentrum. Keski.

**Rear 97**



**xxx xx xx-xx** = New part

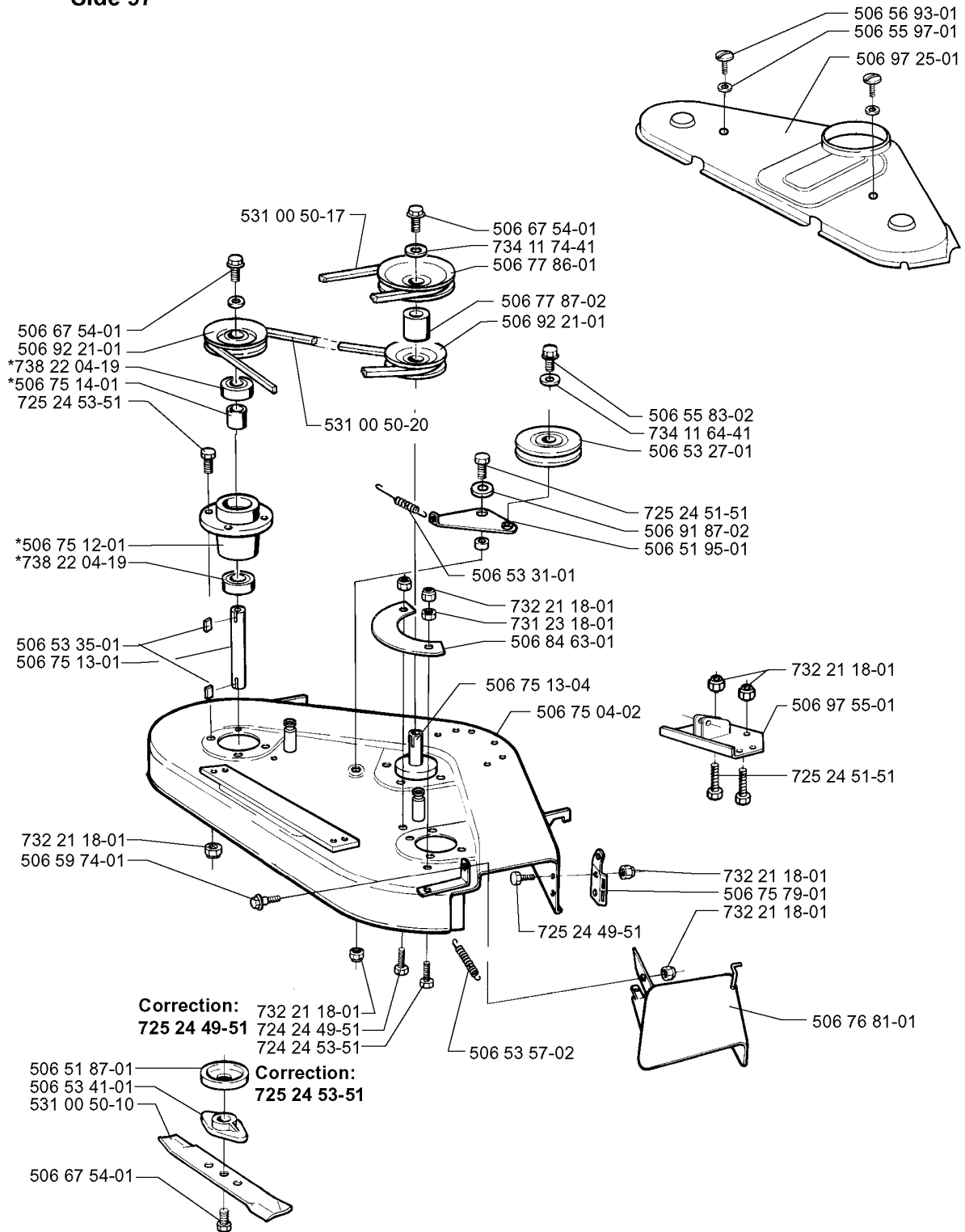
## 97CM CUTTING DECK

RIDER 16 H, 2000-02

Part No	Description	Remark	QTY KIT
506 51 87-01	DUST COVER		1
506 51 95-01	SPÄNNARM KPL.		1
506 53 27-01	PULLEY		1
506 53 31-01	SPRING		1
506 53 35-01	PARALLEL KEY		1
506 53 41-01	BLADE		1
506 55 83-02	SCREW EHHFT		1
506 55 97-01	WASHER		1
506 56 93-01	SCREW		1
506 67 54-01	SCREW EHHFM		1
506 67 54-01	SCREW EHHFM		1
506 67 54-01	SCREW EHHFM		1
506 75 03-04	DECK SHELL ASSY		1
506 75 11-01	BLADE HOUSING ASSY	YTTRE.	1
506 75 11-04	BLADE HOUSING ASSY	MITTEN.	1
506 75 12-01	BEARING HOUSING		1
506 75 13-01	SHAFT		1
506 75 13-04	SHAFT		1
506 75 14-01	SPACER		1
506 77 86-01	PULLEY		1
506 77 87-02	SPACER		1
506 78 97-01	LABEL		1
506 91 87-02	WASHER		1
506 92 21-01	PULLEY		1
506 92 21-01	PULLEY		1
506 97 24-01	BELT COVER		1
506 97 55-01	BRACKET		1
531 00 50-10	MOWER BLADE		1
531 00 50-17	BELT		1
531 00 50-20	BELT		1
725 24 51-51	SCREW		1
725 24 51-51	SCREW		1
725 24 53-51	SCREW EHHM		1
732 21 18-01	LOCK NUT		1
732 21 18-01	LOCK NUT		1
732 21 18-01	LOCK NUT		1
734 11 64-01	WASHER		1
734 11 64-41	WASHER		1
734 11 74-41	WASHER		1
738 22 04-19	BALL BEARING		1
738 22 04-19	BALL BEARING		1

**U** \*compl 506 75 11-01 Yttre. Outer. Exterieur. Äusser. Ulko.  
 \*compl 506 75 11-04 Mitten. Centre. Centre. Zentrum. Keski.

**Side 97**



**XXX XX XX-XX** = New part

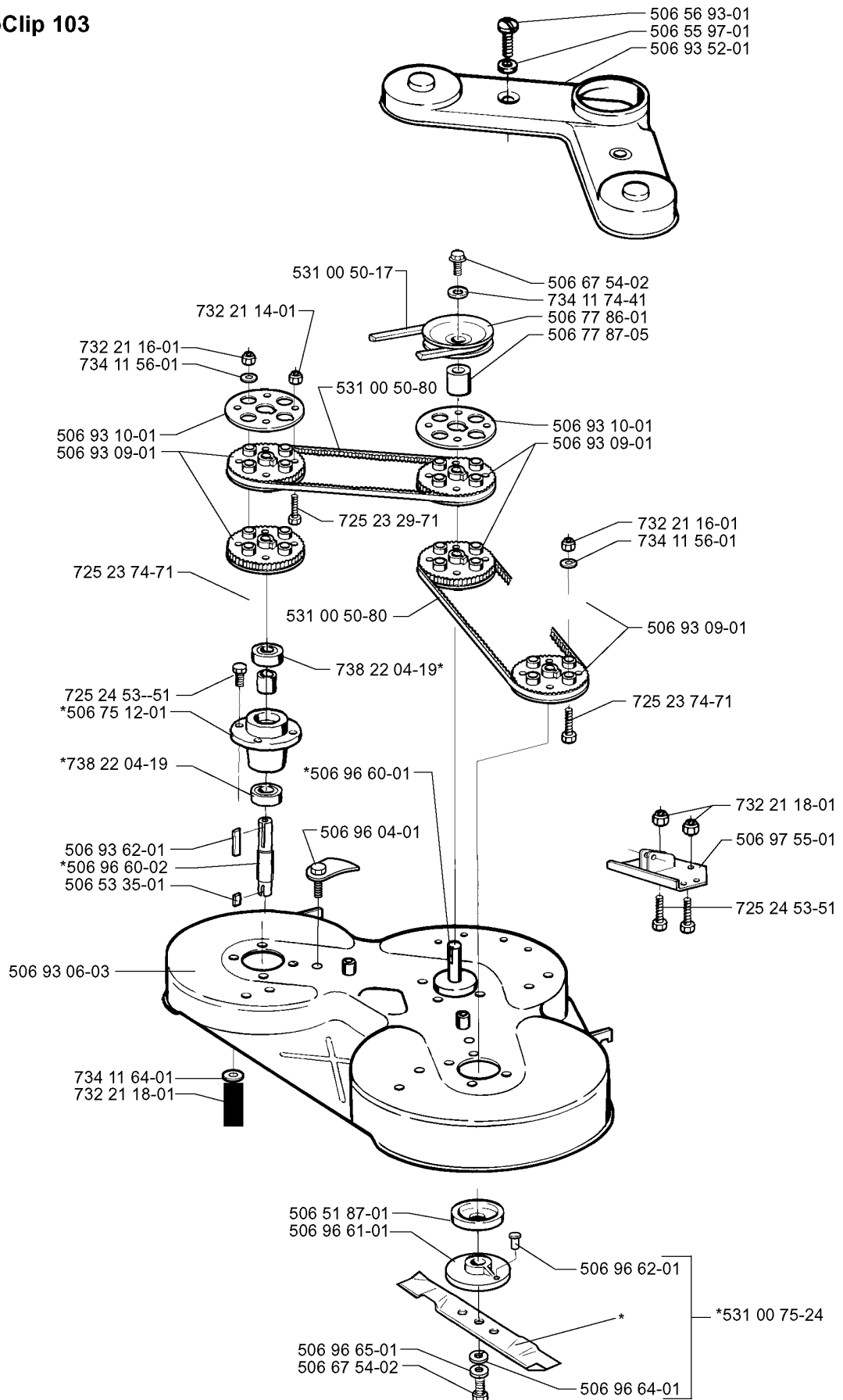
## 97CM CUTTING DECK

RIDER 16 H, 2000-02

Part No	Description	Remark	QTY KIT
506 51 87-01	DUST COVER		1
506 51 95-01	SPÄNNARM KPL.		1
506 53 27-01	PULLEY		1
506 53 31-01	SPRING		1
506 53 35-01	PARALLEL KEY		1
506 53 41-01	BLADE		1
506 53 57-02	SPRING		1
506 55 83-02	SCREW EHHFT		1
506 55 97-01	WASHER		1
506 56 93-01	SCREW		1
506 59 74-01	SCREW EHHFM		1
506 67 54-01	SCREW EHHFM		1
506 67 54-01	SCREW EHHFM		1
506 67 54-01	SCREW EHHFM		1
506 75 04-02	DECK SHELL		1
506 75 11-01	BLADE HOUSING ASSY	YTTRE.	1
506 75 11-04	BLADE HOUSING ASSY	MITTEN.	1
506 75 12-01	BEARING HOUSING		1
506 75 13-01	SHAFT		1
506 75 13-04	SHAFT		1
506 75 14-01	SPACER		1
506 75 79-01	BRACKET		1
506 76 81-01	SHIELD		1
506 77 86-01	PULLEY		1
506 77 87-02	SPACER		1
506 84 63-01	COVER		1
506 91 87-02	WASHER		1
506 92 21-01	PULLEY		1
506 92 21-01	PULLEY		1
506 97 25-01	BELT COVER		1
506 97 55-01	BRACKET		1
531 00 50-10	MOWER BLADE		1
531 00 50-17	BELT		1
531 00 50-20	BELT		1
724 24 49-51	SCREW		1
724 24 53-51	SCREW		1
725 24 49-51	SCREW		1
725 24 49-51	SCREW	CORRECTION:	1
725 24 51-51	SCREW		1
725 24 51-51	SCREW		1
725 24 53-51	SCREW EHHM		1
725 24 53-51	SCREW EHHM		1
725 24 53-51	SCREW EHHM	CORRECTION:	1
731 23 18-01	HEXAGON NUT		1
732 21 18-01	LOCK NUT		1
732 21 18-01	LOCK NUT		1
732 21 18-01	LOCK NUT		1
732 21 18-01	LOCK NUT		1
732 21 18-01	LOCK NUT		1
732 21 18-01	LOCK NUT		1
734 11 64-41	WASHER		1
734 11 74-41	WASHER		1
738 22 04-19	BALL BEARING		1
738 22 04-19	BALL BEARING		1

**S** \*compl 506 75 11-07 (a)  
 \*compl 506 75 11-06 (b)

**BioClip 103**



(a) = Yttre. Outer. Exterieur. Äusser. Ulko.  
 (b) = Mitten. Center. Centre. Zentrum. Keski.

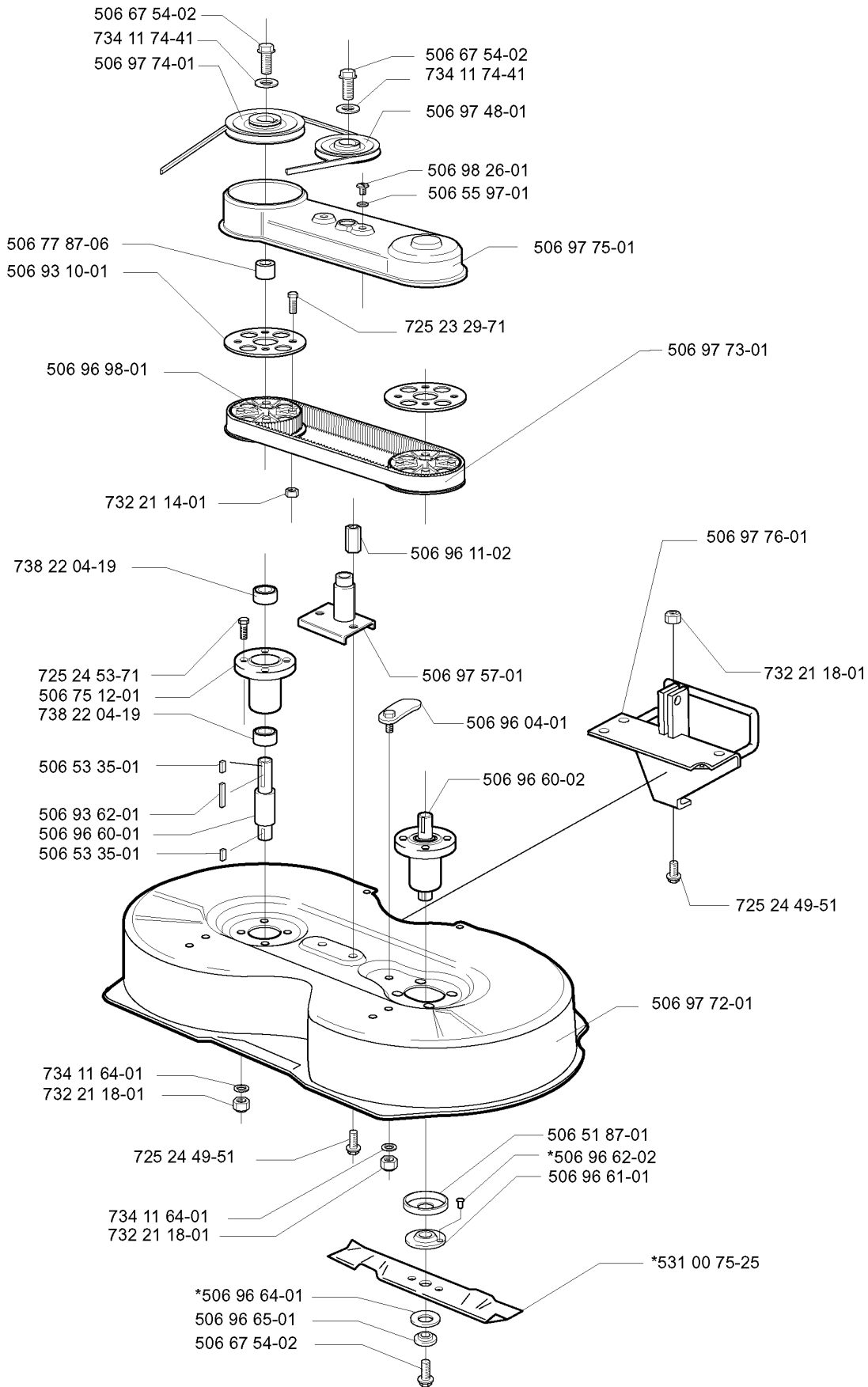
**xxx xx xx-xx** = New part

## 103CM CUTTING DECK

RIDER 16 H, 2000-02

Part No	Description	Remark	QTY KIT
506 51 87-01	DUST COVER		1
506 53 35-01	PARALLEL KEY		1
506 55 97-01	WASHER		1
506 56 93-01	SCREW		1
506 67 54-02	SCREW EHHFM		1
506 67 54-02	SCREW EHHFM		1
506 75 11-06	BLADE HOUSING ASSY	(B) = MITTEN.	1
506 75 11-07	BLADE HOUSING ASSY	(A) = YTTRE.	1
506 75 12-01	BEARING HOUSING		1
506 77 86-01	PULLEY		1
506 77 87-05	SPACER		1
506 93 06-03	DECK SHELL ASSY		1
506 93 09-01	KUGGREMSKIVA		1
506 93 09-01	KUGGREMSKIVA		1
506 93 09-01	KUGGREMSKIVA		1
506 93 10-01	FLANGE		1
506 93 10-01	FLANGE		1
506 93 52-01	KUGGREMKÅPA		1
506 93 62-01	WEDGE		1
506 96 04-01	ECCENTRIC		1
506 96 60-01	SHAFT		1
506 96 60-02	SHAFT		1
506 96 61-01	BLADE		1
506 96 62-01	PIN		1
506 96 64-01	CUP		1
506 96 65-01	WASHER		1
506 97 55-01	BRACKET		1
531 00 50-17	BELT		1
531 00 50-80	BELT		1
531 00 50-80	BELT		1
531 00 75-24	BLADE		1
725 23 29-71	SCREW EHHM		1
725 23 74-71	SCREW EHHM		1
725 23 74-71	SCREW EHHM		1
725 24 53-51	SCREW EHHM		1
725 24 53-51	SCREW EHHM		1
732 21 14-01	LOCK NUT		1
732 21 16-01	LOCK NUT		1
732 21 16-01	LOCK NUT		1
732 21 18-01	LOCK NUT		1
732 21 18-01	LOCK NUT		1
734 11 56-01	WASHER		1
734 11 56-01	WASHER		1
734 11 64-01	WASHER		1
734 11 74-41	WASHER		1
738 22 04-19	BALL BEARING		1
738 22 04-19	BALL BEARING		1

# Y BioClip 90



**xxx xx xx-xx** = New part



## 90CM CUTTING DECK

RIDER 16 H, 2000-02

Part No	Description	Remark	QTY KIT
506 51 87-01	DUST COVER		1
506 53 35-01	PARALLEL KEY		1
506 53 35-01	PARALLEL KEY		1
506 55 97-01	WASHER		1
506 67 54-02	SCREW EHHFM		1
506 67 54-02	SCREW EHHFM		1
506 67 54-02	SCREW EHHFM		1
506 75 12-01	BEARING HOUSING		1
506 77 87-06	SPACER		1
506 93 10-01	FLANGE		1
506 93 62-01	WEDGE		1
506 96 04-01	ECCENTRIC		1
506 96 11-02	DISTANSMUTTER		1
506 96 60-01	SHAFT		1
506 96 60-02	SHAFT		1
506 96 61-01	BLADE		1
506 96 62-02	PIN RETAINING SCREW		1
506 96 64-01	CUP		1
506 96 65-01	WASHER		1
506 96 98-01	KUGGREMSKIVA		1
506 97 48-01	PULLEY		1
506 97 57-01	CONSOLE		1
506 97 72-01	DECK SHELL		1
506 97 73-01	BELT		1
506 97 74-01	PULLEY		1
506 97 75-01	BELT COVER		1
506 97 76-01	BRACKET		1
506 98 26-01	SCREW		1
531 00 75-25	BLADE		1
725 23 29-71	SCREW EHHM		1
725 24 49-51	SCREW		1
725 24 49-51	SCREW		1
725 24 53-71	SCREW EHHM		1
732 21 14-01	LOCK NUT		1
732 21 18-01	LOCK NUT		1
732 21 18-01	LOCK NUT		1
732 21 18-01	LOCK NUT		1
734 11 64-01	WASHER		1
734 11 64-01	WASHER		1
734 11 74-41	WASHER		1
734 11 74-41	WASHER		1
738 22 04-19	BALL BEARING		1
738 22 04-19	BALL BEARING		1