

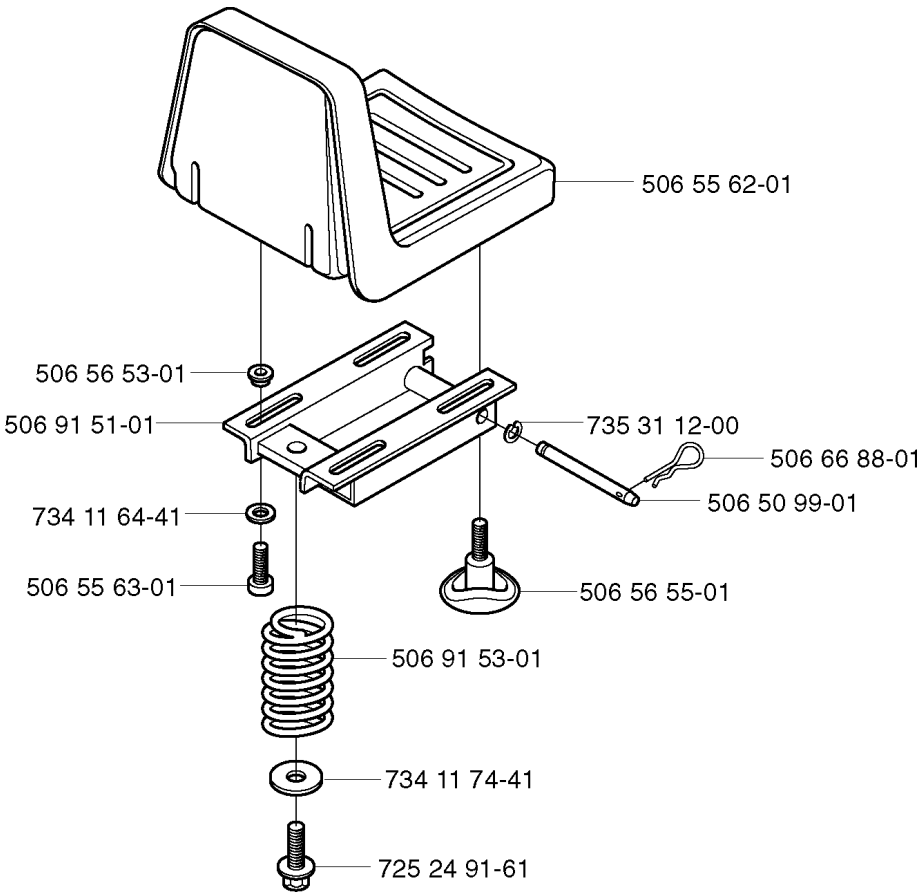


SPARE PARTS LIST

RIDERS

RIDER 13 BIO, 2003-01

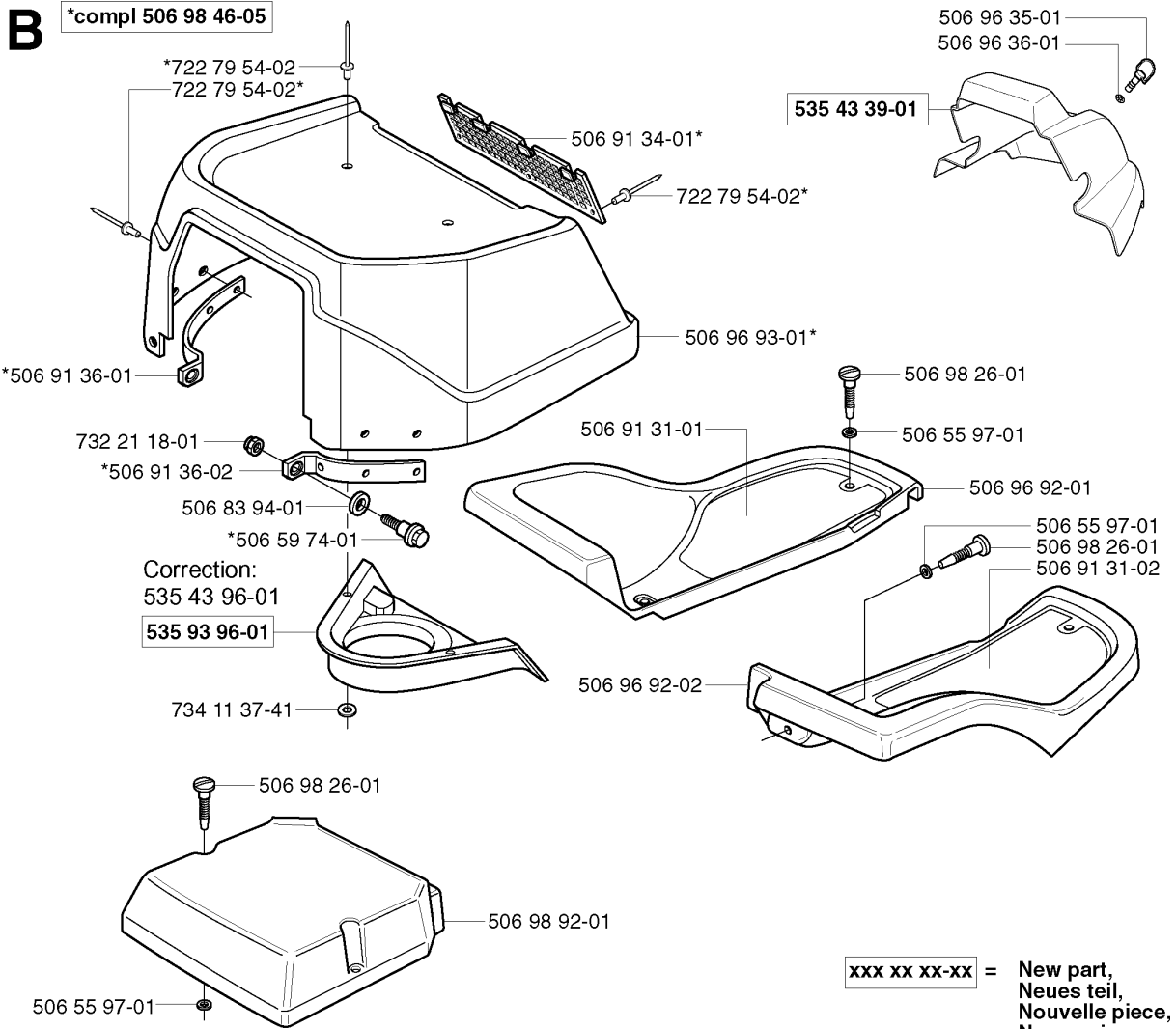
A



SEAT

RIDER 13 BIO, 2003-01

Part No	Description	Remark	QTY KIT
506 50 99-01	SHAFT		1
506 55 62-01	SEAT		1
506 55 63-01	SCREW UNC		1
506 56 53-01	BUSHING		1
506 56 55-01	JUSTERVRED		1
506 66 88-01	SPRING COTTER		1
506 91 51-01	SEAT BRACKET ASSY		1
506 91 53-01	COMPRESSION SPRING		1
725 24 91-61	SCREW EHHFT		1
734 11 64-41	WASHER		1
734 11 74-41	WASHER		1
735 31 12-00	CIRCLIP		1

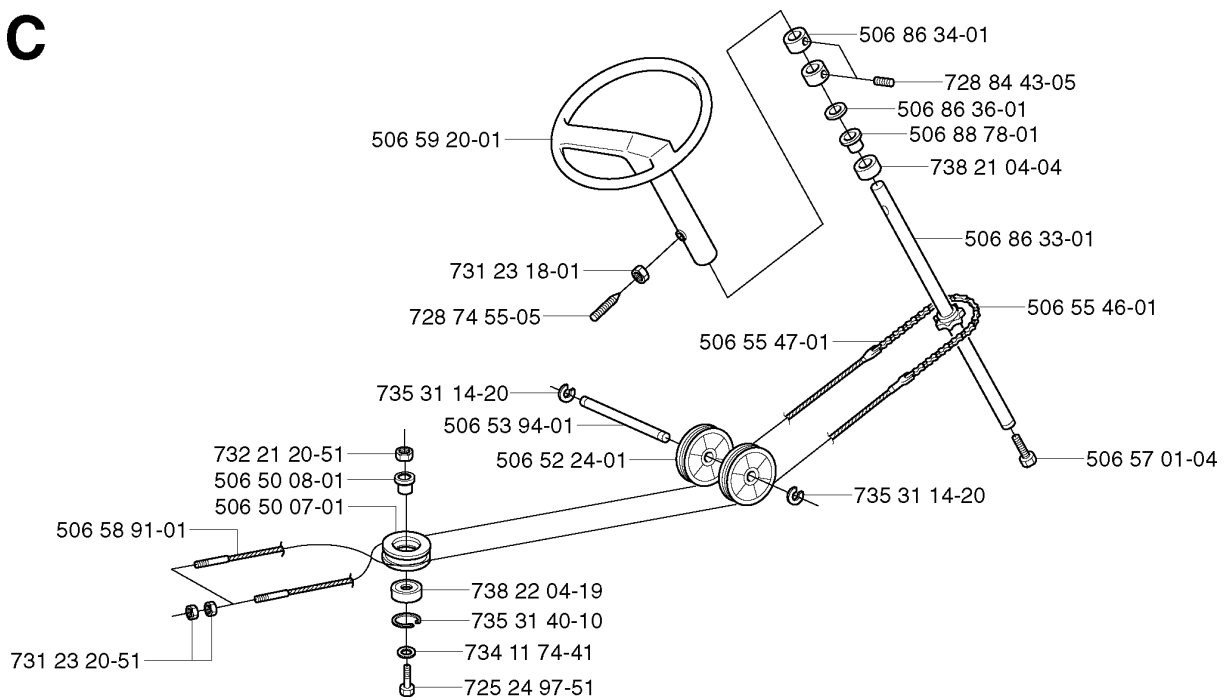


HOOD

RIDER 13 BIO, 2003-01

Part No	Description	Remark	QTY KIT
506 55 97-01	WASHER		1
506 55 97-01	WASHER		1
506 55 97-01	WASHER		1
506 59 74-01	SCREW EHHFM		1
506 83 94-01	SPRING WASHER		1
506 91 31-01	FOTMATTVA		1
506 91 31-03	FOTMATTVA H.M.SPÅR		1
506 91 34-01	AIR GRIND		1
506 91 36-01	BRACKET		1
506 91 36-02	BRACKET		1
506 96 35-01	VRIDTAPP		1
506 96 36-01	WASHER		1
506 96 92-01	FLYGEL VÅ.		1
506 96 92-03	FLYGEL HÖ. HST		1
506 96 93-01	MOTOR COVER		1
506 98 26-01	SCREW		1
506 98 26-01	SCREW		1
506 98 26-01	SCREW		1
506 98 46-05	ENGINE HOOD ASSY		1
506 98 92-01	COVER		1
535 43 39-01	COVER		1
535 43 96-01	AIR CONDUCTOR		1
722 79 54-02	RIVET		1
722 79 54-02	RIVET		1
722 79 54-02	RIVET		1
732 21 18-01	LOCK NUT		1
734 11 37-41	WASHER		1

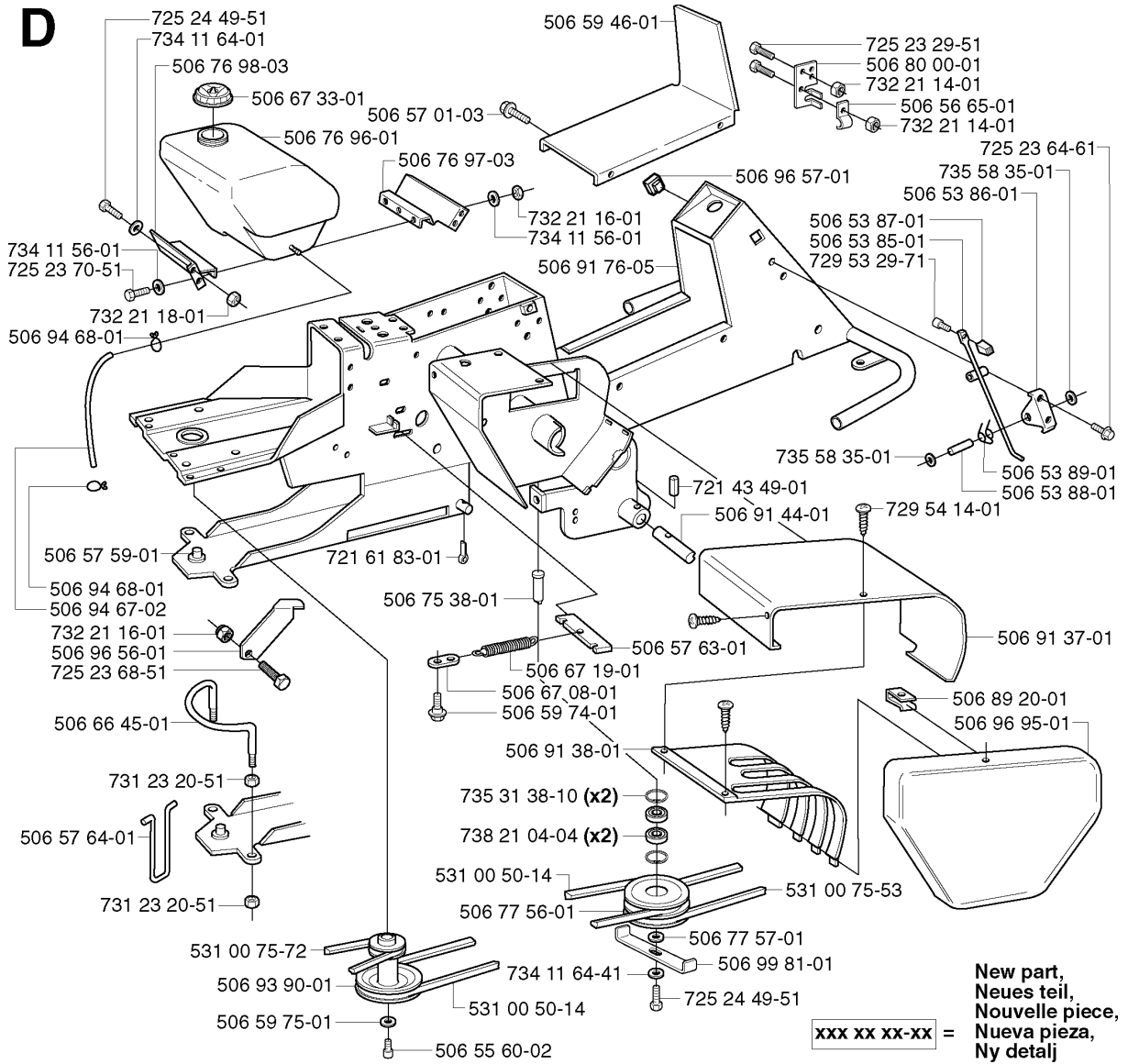
C



WHEELS & TIRES

RIDER 13 BIO, 2003-01

Part No	Description	Remark	QTY KIT
506 50 07-01	BARRING WHEEL		1
506 50 08-01	BUSHING		1
506 52 24-01	STARTER PULLEY		1
506 53 94-01	SHAFT		1
506 55 46-01	CHAIN		1
506 55 47-01	LINKAGE		1
506 57 01-04	SCREW EHHFM		1
506 58 91-01	WIRE ASSY		1
506 59 20-01	STEERING WHEEL		1
506 86 33-01	ROD STEERING ASSY		1
506 86 34-01	DRIVER		1
506 86 36-01	WASHER		1
506 88 78-01	SPACER		1
725 24 97-51	SCREW		1
728 74 55-05	SCREW IHSETM		1
728 84 43-05	SCREW IHSETM		1
731 23 18-01	HEXAGON NUT		1
731 23 20-51	HEXAGON NUT		1
732 21 20-51	NUT		1
734 11 74-41	WASHER		1
735 31 14-20	E-CLIP		1
735 31 14-20	E-CLIP		1
735 31 40-10	CIRCLIP		1
738 21 04-04	BALL BEARING		1
738 22 04-19	BALL BEARING		1

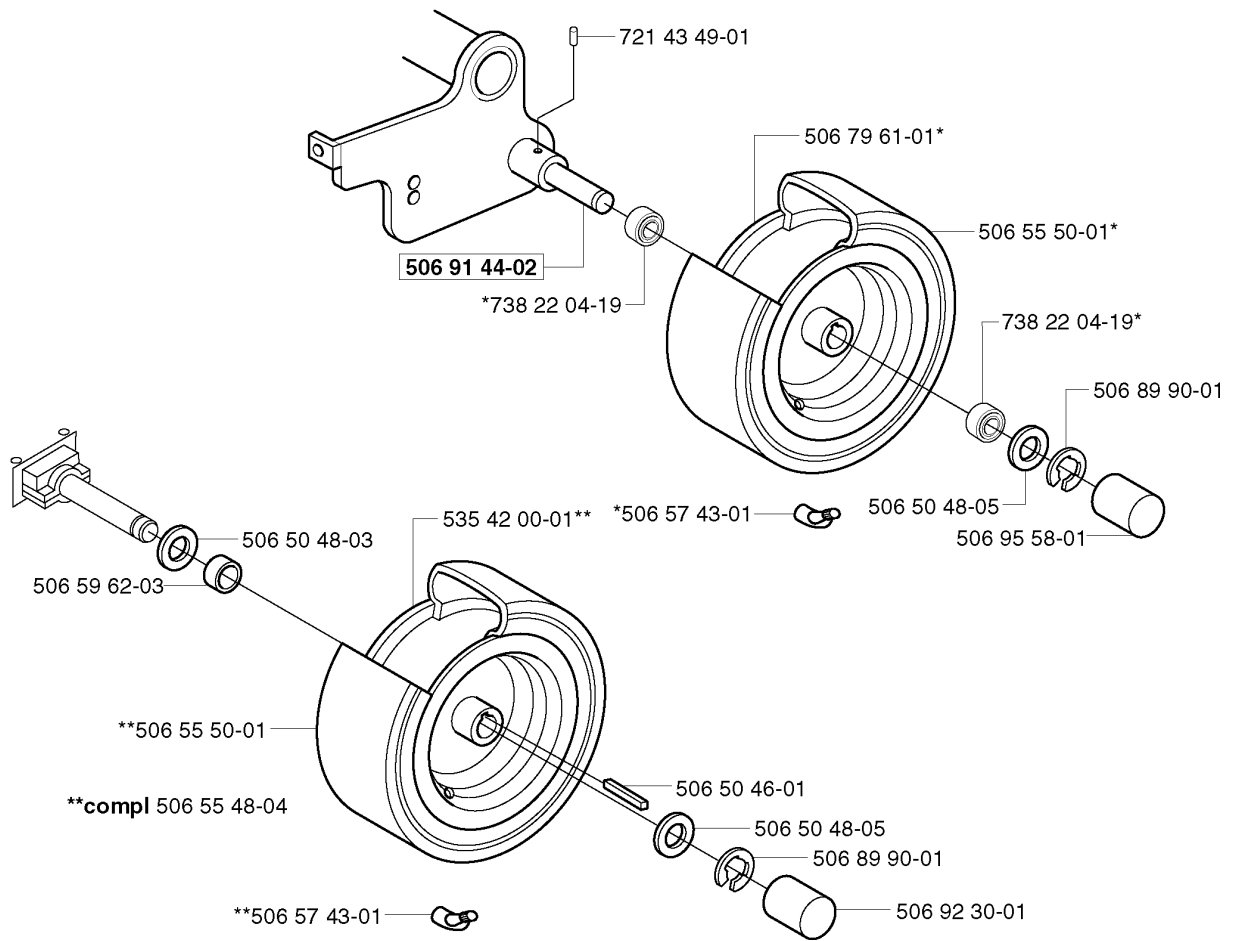


CHASSIS / FRAME

RIDER 13 BIO, 2003-01

Part No	Description	Remark	QTY KIT
506 53 85-01	LOCKING ARM		1
506 53 86-01	BRACKET		1
506 53 87-01	CONTROL BUTTON		1
506 53 88-01	SHAFT		1
506 53 89-01	SPRING		1
506 55 60-02	SCREW UNC		1
506 56 65-01	CLIP		1
506 57 01-03	SCREW EHHFM		1
506 57 59-01	PIVOT		1
506 57 63-01	SPRING RETAINER		1
506 57 64-01	CABLE HOLDER		1
506 59 46-01	LOCK GOLVTUNNEL		1
506 59 74-01	SCREW EHHFM		1
506 59 75-01	WASHER		1
506 66 45-01	BELT GUIDE		1
506 67 08-01	LINK		1
506 67 19-01	SPRING		1
506 67 33-01	TANK CAP ASSY		1
506 75 38-01	AXLE		1
506 76 96-01	FUEL TANK		1
506 76 97-03	BRACKET		1
506 76 98-03	BRACKET		1
506 77 56-01	MELLANHJUL		1
506 77 57-01	WASHER		1
506 80 00-01	BRACKET		1
506 89 20-01	SPEED NUT		1
506 91 37-01	COVER PLATE		1
506 91 38-01	CONTROL PLATE		1
506 91 44-01	WHEEL AXLE		1
506 91 76-05	FRAME		1
506 93 90-01	PULLEY		1
506 94 67-02	FUEL HOSE		1
506 94 68-01	TRÅDKLÄMMA		1
506 94 68-01	TRÅDKLÄMMA		1
506 96 56-01	PROTECTIVE PLATE		1
506 96 57-01	PLUG		1
506 96 95-01	CONTROL CAP		1
506 99 81-01	BELT GUIDE		1
531 00 50-14	BELT		1
531 00 50-14	BELT		1
531 00 75-53	BELT		1
531 00 75-72	BELT		1
721 43 49-01	SPRING PIN		1
721 61 83-01	SPLIT PIN		1
725 23 29-51	SCREW		1
725 23 64-61	SCREW EHHFT		1
725 23 68-51	SCREW		1
725 23 70-51	SCREW		1
725 24 49-51	SCREW		1
725 24 49-51	SCREW		1
729 53 29-71	SCREW CRPANT		1
729 54 14-01	SCREW CRPANT		1
731 23 20-51	HEXAGON NUT		1
731 23 20-51	HEXAGON NUT		1
732 21 14-01	LOCK NUT		1
732 21 14-01	LOCK NUT		1
732 21 16-01	LOCK NUT		1
732 21 16-01	LOCK NUT		1
732 21 18-01	LOCK NUT		1
734 11 56-01	WASHER		1
734 11 56-01	WASHER		1
734 11 64-01	WASHER		1
734 11 64-41	WASHER		1
735 31 38-10	CIRCLIP		2
735 58 35-01	WASHER		1
735 58 35-01	WASHER		1
738 21 04-04	BALL BEARING		2

E *compl 506 55 49-03

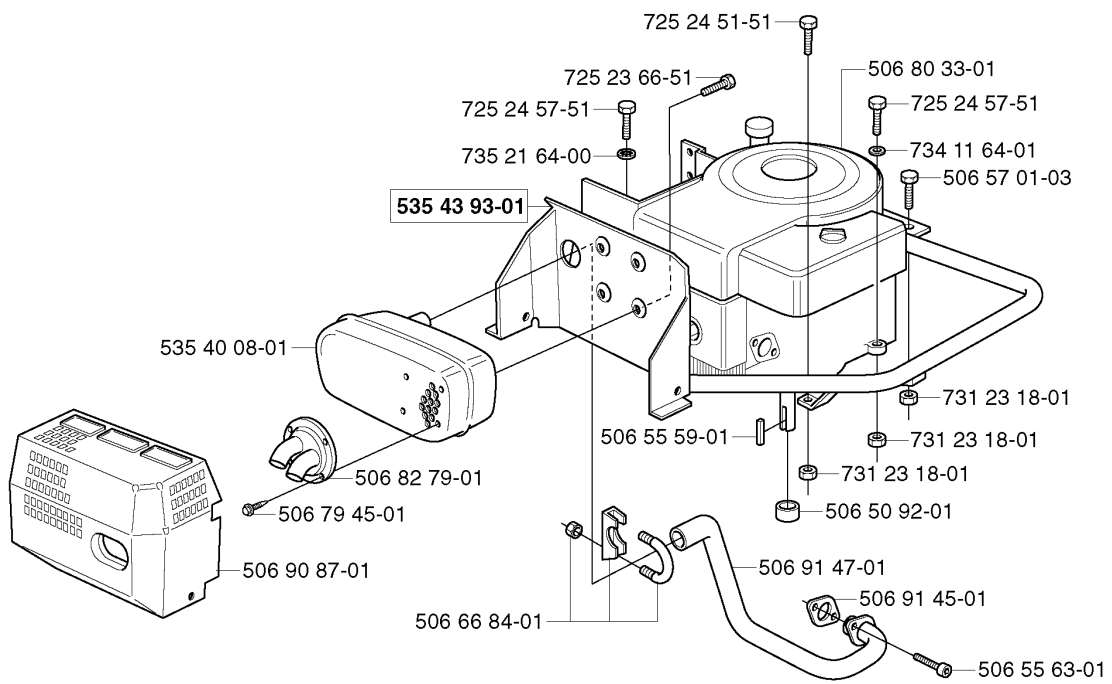


WHEELS & TIRES

RIDER 13 BIO, 2003-01

Part No	Description	Remark	QTY KIT
506 50 46-01	WEDGE		1
506 50 48-03	WASHER		1
506 50 48-05	WASHER		1
506 50 48-05	WASHER		1
506 55 48-04	REAR WHEEL		1
506 55 49-03	WHEEL		1
506 55 50-01	TIRE		1
506 55 50-01	TIRE		1
506 57 43-01	VALVE ASSY		1
506 57 43-01	VALVE ASSY		1
506 59 62-03	SPACING SLEEVE		1
506 79 61-01	RIM		1
506 89 90-01	E-CLIP		1
506 89 90-01	E-CLIP		1
506 91 44-02	WHEEL AXLE		1
506 92 30-01	RUND FOT UKB 30 S		1
506 95 58-01	CUP		1
535 42 00-01	RIM		1
721 43 49-01	SPRING PIN		1
738 22 04-19	BALL BEARING		1
738 22 04-19	BALL BEARING		1

F



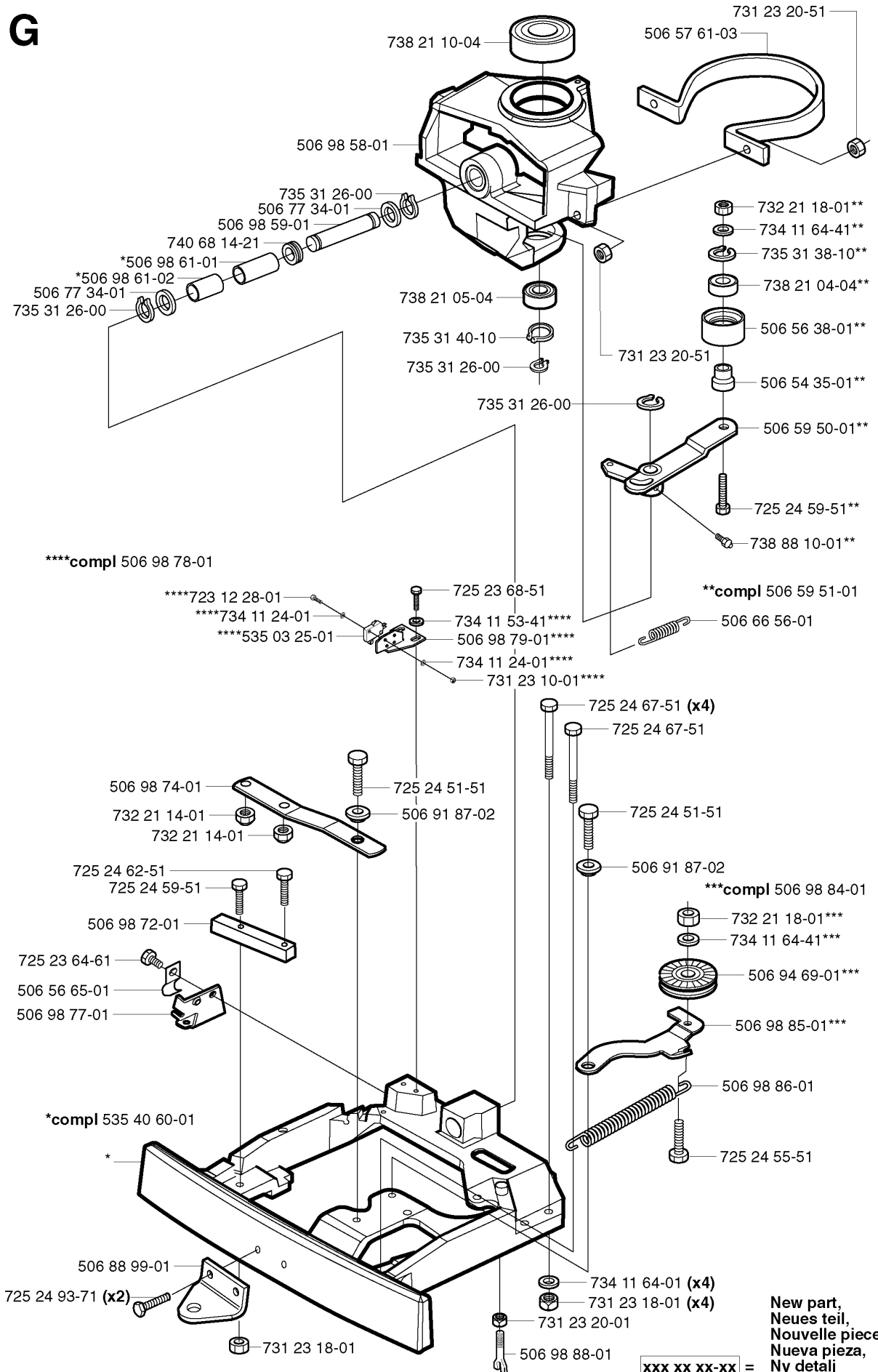
**xxx xx xx-xx = New part,
Neues teil,
Nouvelle piece,
Nueva pieza,
Ny detalj**

ENGINE

RIDER 13 BIO, 2003-01

Part No	Description	Remark	QTY KIT
506 50 92-01	SPACING SLEEVE		1
506 55 59-01	WEDGE		1
506 55 63-01	SCREW UNC		1
506 57 01-03	SCREW EHHFM		1
506 66 84-01	CLAMP ASSY		1
506 79 45-01	SCREW		1
506 80 33-01	MOTOR ASSY		1
506 82 79-01	DEFLECTOR		1
506 90 87-01	HEAT PROTECTOR		1
506 91 45-01	GASKET		1
506 91 47-01	EXHAUST PIPE ASSY		1
535 40 08-01	MUFFLER ASSY		1
535 43 93-01	ENGINE FRAME		1
725 23 66-51	HEXAGONAL SCREW M6X12		1
725 24 51-51	SCREW		1
725 24 57-51	SCREW		1
725 24 57-51	SCREW		1
731 23 18-01	HEXAGON NUT		1
731 23 18-01	HEXAGON NUT		1
731 23 18-01	HEXAGON NUT		1
734 11 64-01	WASHER		1
735 21 64-00	LOCKWASHER		1

G

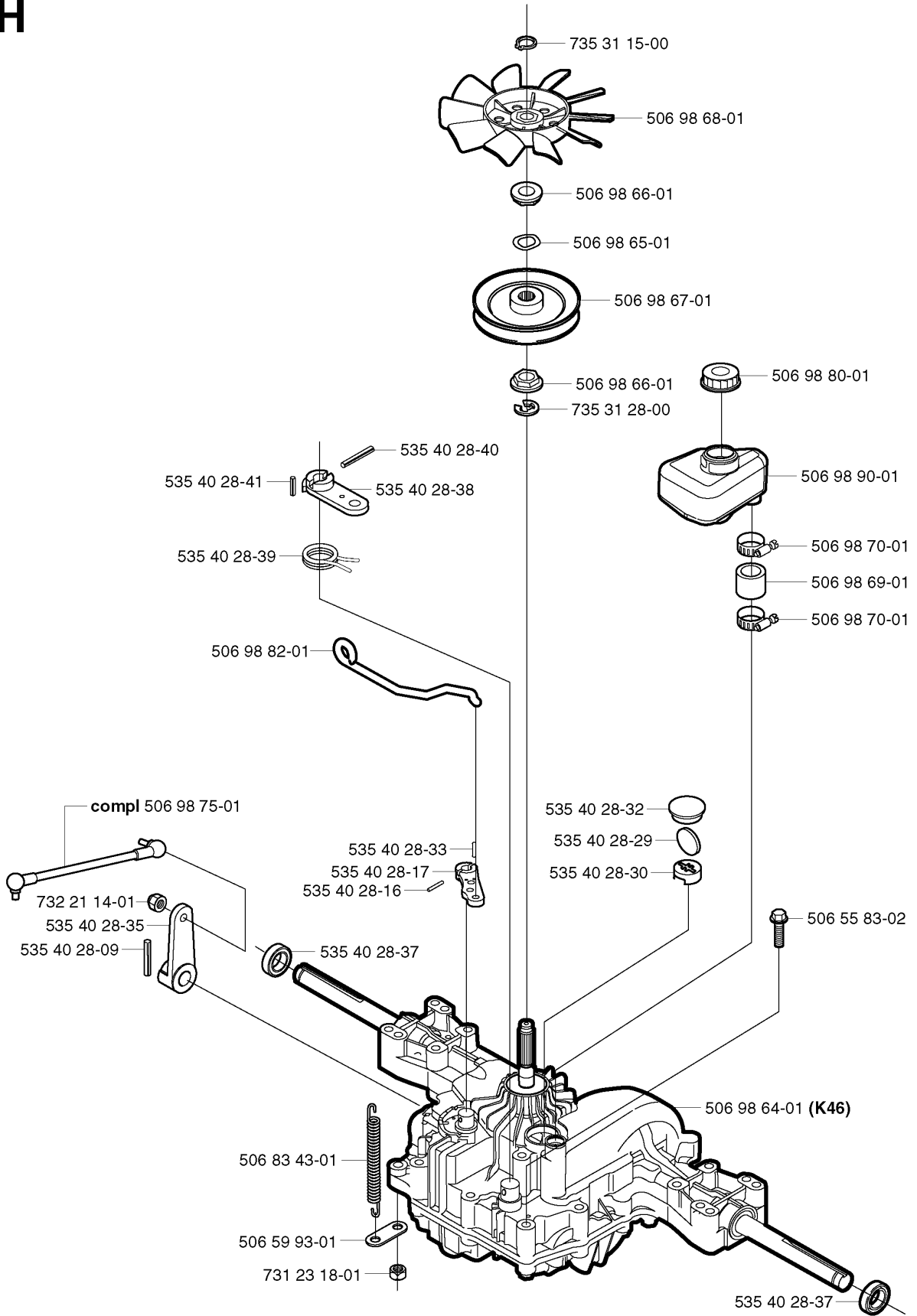


STEERING COLUMN

RIDER 13 BIO, 2003-01

Part No	Description	Remark	QTY KIT
506 54 35-01	BUSHING		1
506 56 38-01	TENSION ROLLER		1
506 56 65-01	CLIP		1
506 57 61-03	STYRKANS		1
506 59 50-01	LEVER		1
506 59 51-01	REMSP. KNIVDRIVNING		1
506 66 56-01	SPRING		1
506 77 34-01	WASHER		1
506 77 34-01	WASHER		1
506 88 99-01	HITCH		1
506 91 87-02	WASHER		1
506 91 87-02	WASHER		1
506 94 69-01	PULLEY		1
506 98 58-01	SPINDLE		1
506 98 59-01	SWING AXLE		1
506 98 61-01	GLIDLAGER		1
506 98 61-02	GLIDLAGER		1
506 98 72-01	MOMENTFÄSTE		1
506 98 74-01	LEVER		1
506 98 77-01	BRACKET		1
506 98 78-01	MICRO SWITCH		1
506 98 79-01	BRACKET		1
506 98 84-01	BELT TENSIONER ASSY		1
506 98 85-01	BELT TENSIONER		1
506 98 86-01	SPRING		1
506 98 88-01	PENDULUM		1
535 03 25-01	SWITCH		1
535 40 60-01	BRACKET		1
723 12 28-01	SCREW SLCHM		1
725 23 64-61	SCREW EHHFT		1
725 23 68-51	SCREW		1
725 24 51-51	SCREW		1
725 24 51-51	SCREW		1
725 24 55-51	SCREW		1
725 24 59-51	SCREW EHHM		1
725 24 59-51	SCREW EHHM		1
725 24 62-51	SCREW EHHM		1
725 24 67-51	SCREW EHHM		1
725 24 67-51	SCREW EHHM		4
725 24 93-71	SCREW EHHM		2
731 23 10-01	HEXAGON NUT		1
731 23 18-01	HEXAGON NUT		1
731 23 18-01	HEXAGON NUT		4
731 23 20-01	HEXAGON NUT		1
731 23 20-51	HEXAGON NUT		1
731 23 20-51	HEXAGON NUT		1
732 21 14-01	LOCK NUT		1
732 21 14-01	LOCK NUT		1
732 21 18-01	LOCK NUT		1
732 21 18-01	LOCK NUT		1
734 11 24-01	WASHER		1
734 11 24-01	WASHER		1
734 11 53-41	WASHER		1
734 11 64-01	WASHER		4
734 11 64-41	WASHER		1
734 11 64-41	WASHER		1
735 31 26-00	CIRCLIP		1
735 31 26-00	CIRCLIP		1
735 31 26-00	CIRCLIP		1
735 31 26-00	CIRCLIP		1
735 31 38-10	CIRCLIP		1
735 31 40-10	CIRCLIP		1
738 21 04-04	BALL BEARING		1
738 21 05-04	BALL BEARING		1
738 21 10-04	BALL BEARING		1
738 88 10-01	LUBRICATION NIPPLE		1
740 68 14-21	V-RING		1

H



xxx xx xx-xx = New part,
 Neues teil,
 Nouvelle piece,
 Nueva pieza,
 Ny detalj

TRANSMISSION

RIDER 13 BIO, 2003-01

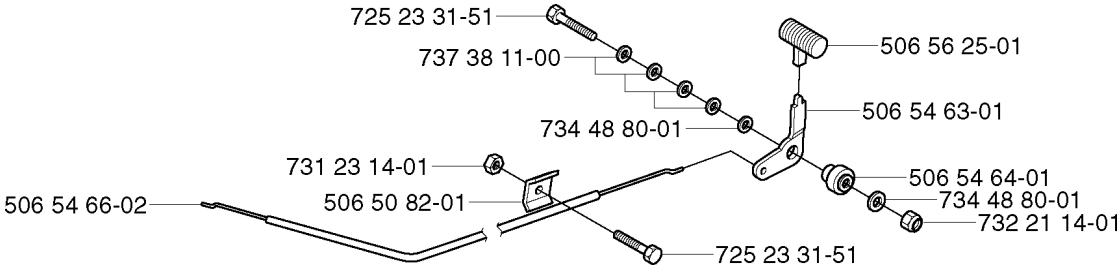
Part No	Description	Remark	QTY KIT
506 55 83-02	SCREW EHHFT		1
506 59 93-01	LINK		1
506 83 43-01	SPRING		1
506 98 64-01	TRANSMISSION	K46	1
506 98 65-01	SPRING WASHER		1
506 98 66-01	DISTANCE		1
506 98 66-01	DISTANCE		1
506 98 67-01	PULLEY		1
506 98 68-01	FAN		1
506 98 69-01	HOSE		1
506 98 70-01	HOSE CLAMP		1
506 98 70-01	HOSE CLAMP		1
506 98 75-01	ADJUSTMENT ROD		1
506 98 80-01	TANK CAP ASSY		1
506 98 82-01	FRIKOPPLINGSSTÅNG		1
506 98 90-01	EXPANSION TANK		1
535 40 28-09	PIN RETAINING SCREW		1
535 40 28-16	PIN RETAINING SCREW		1
535 40 28-17	LEVER		1
535 40 28-29	MAGNET		1
535 40 28-30	HOLDER		1
535 40 28-32	PLUG		1
535 40 28-33	PIN RETAINING SCREW		1
535 40 28-35	LEVER		1
535 40 28-37	SEALING		1
535 40 28-37	SEALING		1
535 40 28-38	LEVER		1
535 40 28-39	RETURN SPRING		1
535 40 28-40	PIN RETAINING SCREW		1
535 40 28-41	PIN RETAINING SCREW		1
731 23 18-01	HEXAGON NUT		1
732 21 14-01	LOCK NUT		1
735 31 15-00	CIRCLIP		1
735 31 28-00	CIRCLIP		1

PEDALS

RIDER 13 BIO, 2003-01

Part No	Description	Remark	QTY KIT
506 50 62-01	PEDAL RUBBER		1
506 50 62-02	PEDAL RUBBER		1
506 50 65-01	BEARING SUPPORT		1
506 50 65-01	BEARING SUPPORT		1
506 50 65-01	BEARING SUPPORT		1
506 50 65-01	BEARING SUPPORT		1
506 53 56-03	DRAW SPRING		1
506 55 73-01	VINKELL.AS8 DIN71802		1
506 55 73-01	VINKELL.AS8 DIN71802		1
506 55 73-01	VINKELL.AS8 DIN71802		1
506 57 01-04	SCREW EHHFM		1
506 79 43-01	KNOB		1
506 80 41-01	PLATE		1
506 80 41-01	PLATE		1
506 82 72-02	CONTROL CABLE		1
506 94 63-01	BRAKE SPRING		1
506 94 71-02	BRAKE PEDAL ASSY		1
506 95 41-01	BEARING SUPPORT		1
506 95 41-01	BEARING SUPPORT		1
506 95 41-01	BEARING SUPPORT		1
506 95 99-01	REVERSE PEDAL		1
506 96 01-03	HYDROSTATIC PEDAL ASSY		1
506 96 53-01	PEDAL PLATE		1
506 99 27-01	BRAKE WIRE		1
725 24 53-51	SCREW EHHM		1
725 24 57-51	SCREW		1
725 24 61-51	SCREW EHHM		1
725 24 62-51	SCREW EHHM		1
732 21 14-01	LOCK NUT		1
732 21 14-01	LOCK NUT		1
732 21 18-01	LOCK NUT		1
732 21 18-01	LOCK NUT		1
732 21 18-01	LOCK NUT		1
732 21 18-01	LOCK NUT		1
734 11 64-01	WASHER		1
734 11 64-01	WASHER		1
735 31 09-20	E-CLIP		1
738 21 02-04	BALL BEARING		1

K



CONTROLS

RIDER 13 BIO, 2003-01

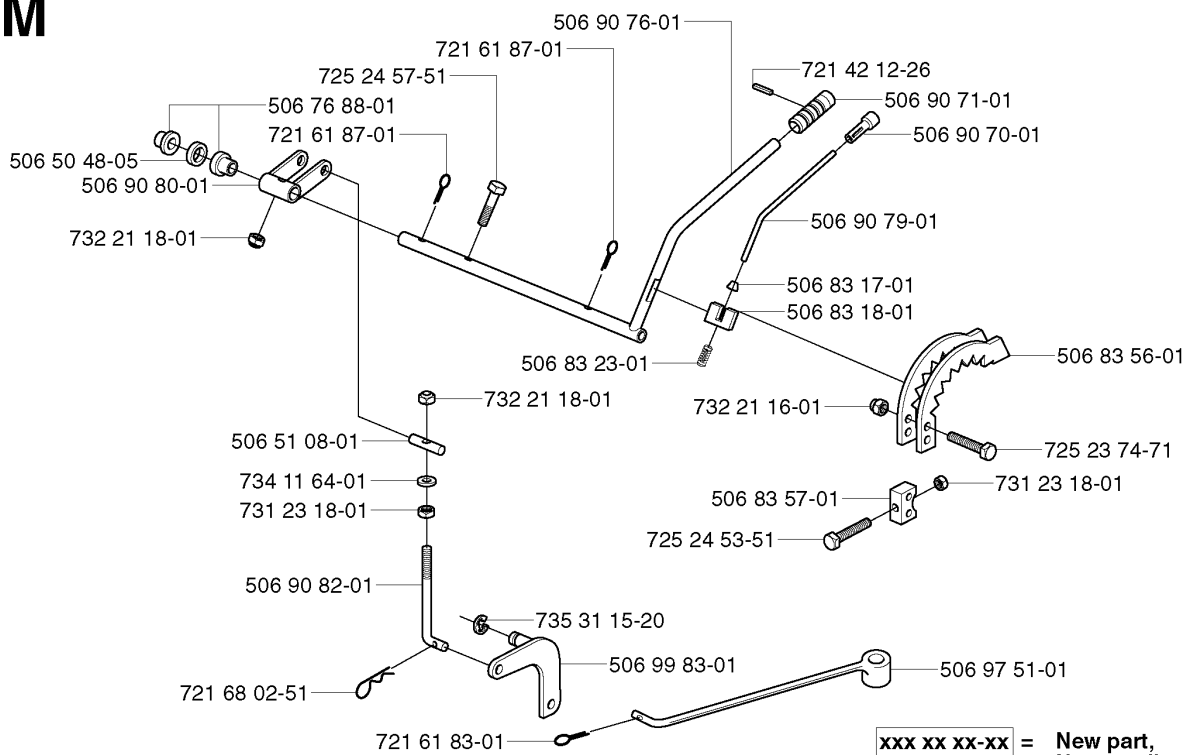
Part No	Description	Remark	QTY KIT
506 50 82-01	CLIP		1
506 54 63-01	LEVER THROTTLE CONTR		1
506 54 64-01	BUSHING		1
506 54 66-02	THROTTLE CABLE ASSY		1
506 56 25-01	HANDLE		1
725 23 31-51	SCREW		1
725 23 31-51	SCREW		1
731 23 14-01	HEXAGON NUT		1
732 21 14-01	LOCK NUT		1
734 48 80-01	WASHER		1
734 48 80-01	WASHER		1
737 38 11-00	DISC SPRING		1

CONTROLS

RIDER 13 BIO, 2003-01

Part No	Description	Remark	QTY KIT
506 55 46-07	CHAIN		1
506 55 47-01	LINKAGE		1
506 55 65-01	BEARING		1
506 55 65-01	BEARING		1
506 66 58-01	CLUTCH ROD REAR		1
506 78 39-01	BUTTON		1
506 78 43-01	LINK ASSY		1
506 79 17-01	HANDLE		1
506 83 43-01	SPRING		1
506 90 47-01	LIFT LEVER CMPL		1
506 90 51-01	CATCH		1
506 90 52-01	PUSH ROD		1
506 90 53-01	PEN		1
506 90 54-01	LIFTING ARM		1
506 90 56-01	OFFSET PULLEY		1
506 90 56-01	OFFSET PULLEY		1
506 90 57-01	SHAFT		1
506 90 57-01	SHAFT		1
506 90 58-01	TUBE SLEEVE		1
506 90 58-01	TUBE SLEEVE		1
506 90 59-01	CHAIN STOP		1
506 90 61-01	CONNECTION ROD		1
506 90 62-02	LINK ASSY		1
506 91 68-01	SPRING		1
506 96 66-01	HAIR PIN COTTER		1
721 42 56-01	SPRING PIN		1
721 61 52-01	SPLIT PIN		1
721 61 83-01	SPLIT PIN		1
721 61 83-01	SPLIT PIN		1
721 61 83-01	SPLIT PIN		1
721 61 83-01	SPLIT PIN		1
721 61 83-01	SPLIT PIN		1
721 61 87-01	SPLIT PIN		1
721 83 99-01	CLEVIS PIN		1
725 24 97-51	SCREW		1
725 25 42-51	SCREW EHHM		1
729 44 08-01	SCREW SLCSRT		1
731 23 20-51	HEXAGON NUT		1
732 25 22-01	HEXAGON LOCKING NUT		1
734 11 64-41	WASHER		1
735 31 18-20	E-CLIP		1
735 31 18-20	E-CLIP		1

M



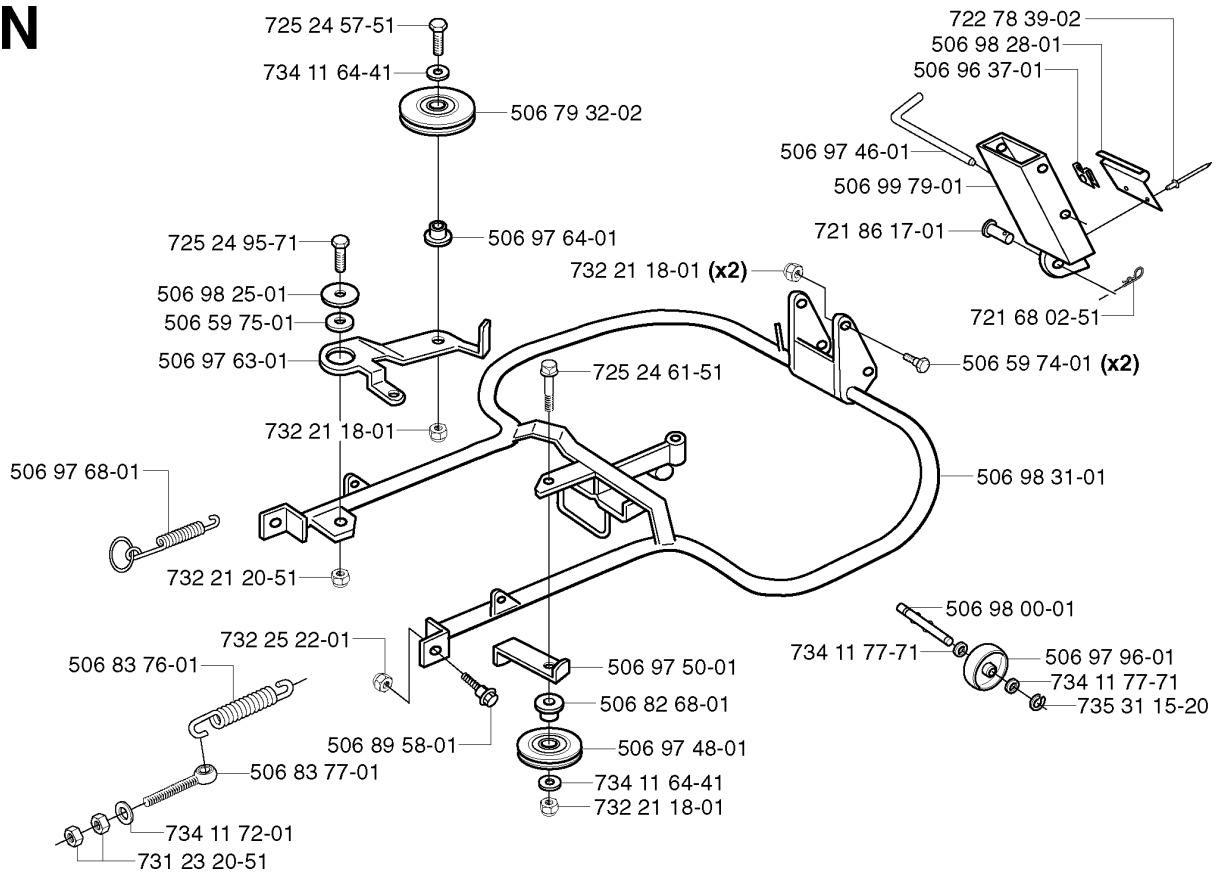
**xxx xx xx-xx = New part,
Neues teil,
Nouvelle piece,
Nueva pieza,
Ny detalj**

CONTROLS

RIDER 13 BIO, 2003-01

Part No	Description	Remark	QTY KIT
506 50 48-05	WASHER		1
506 51 08-01	NIPPLE		1
506 76 88-01	BUSHING		1
506 83 17-01	END FITTING		1
506 83 18-01	LOCK		1
506 83 23-01	SPRING		1
506 83 56-01	HÖJDSEGMENT		1
506 83 57-01	BRACKET		1
506 90 70-01	KNOB		1
506 90 71-01	HANDLE		1
506 90 76-01	LIFTING LEVER ASSY		1
506 90 79-01	PUSH ROD		1
506 90 80-01	LEVER		1
506 90 82-01	HEIGHT ROD		1
506 97 51-01	CONNECTOR		1
506 99 83-01	LINK ASSY		1
721 42 12-26	SPRING PIN		1
721 61 83-01	SPLIT PIN		1
721 61 87-01	SPLIT PIN		1
721 61 87-01	SPLIT PIN		1
721 68 02-51	SPRING COTTER		1
725 23 74-71	SCREW EHHM		1
725 24 53-51	SCREW EHHM		1
725 24 57-51	SCREW		1
731 23 18-01	HEXAGON NUT		1
731 23 18-01	HEXAGON NUT		1
732 21 16-01	LOCK NUT		1
732 21 18-01	LOCK NUT		1
732 21 18-01	LOCK NUT		1
734 11 64-01	WASHER		1
735 31 15-20	E-CLIP		1

N

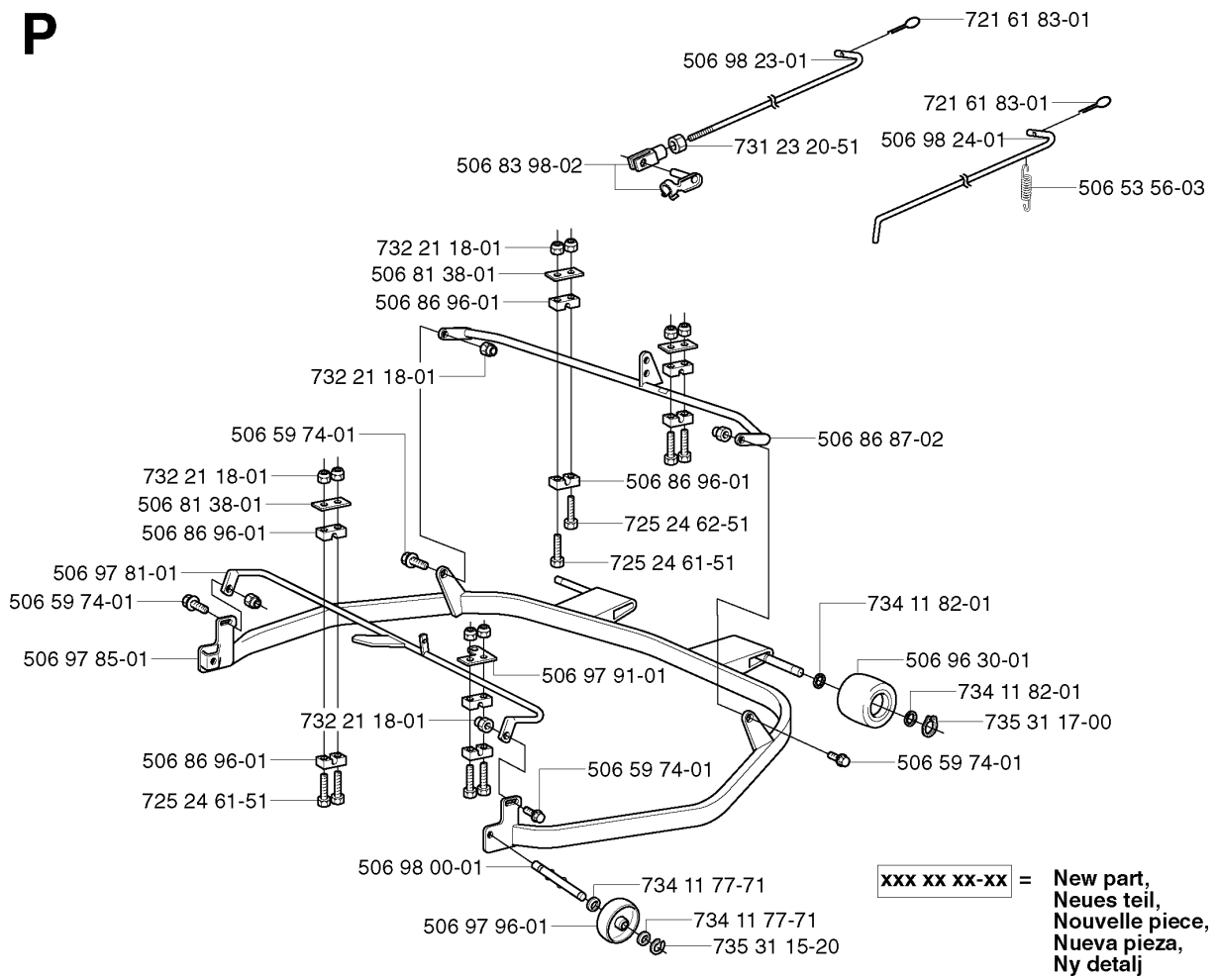


FRAME

RIDER 13 BIO, 2003-01

Part No	Description	Remark	QTY KIT
506 59 74-01	SCREW EHHFM		2
506 59 75-01	WASHER		1
506 79 32-02	BELT TENSIONER WHEEL		1
506 82 68-01	BUSHING		1
506 83 76-01	SPRING		1
506 83 77-01	RING BOLT		1
506 89 58-01	COLLAR SCREW		1
506 96 37-01	LÅSDON		1
506 97 46-01	PEN		1
506 97 48-01	PULLEY		1
506 97 50-01	BELT GUIDE		1
506 97 63-01	SPÄNNARM		1
506 97 64-01	BUSHING		1
506 97 68-01	SPRING		1
506 97 96-01	WHEEL		1
506 98 00-01	SHAFT		1
506 98 25-01	WASHER		1
506 98 28-01	BRACKET		1
506 98 31-01	DECK ATTACHMENT ASSY		1
506 99 79-01	LINK ASSY		1
721 68 02-51	SPRING COTTER		1
721 86 17-01	CLEVIS PIN		1
722 78 39-02	BLIND RIVET		1
725 24 57-51	SCREW		1
725 24 61-51	SCREW EHHM		1
725 24 95-71	SCREW EHHM		1
731 23 20-51	HEXAGON NUT		1
732 21 18-01	LOCK NUT		1
732 21 18-01	LOCK NUT		2
732 21 18-01	LOCK NUT		1
732 21 20-51	NUT		1
732 25 22-01	HEXAGON LOCKING NUT		1
734 11 64-41	WASHER		1
734 11 64-41	WASHER		1
734 11 72-01	WASHER		1
734 11 77-71	WASHER		1
734 11 77-71	WASHER		1
735 31 15-20	E-CLIP		1

P

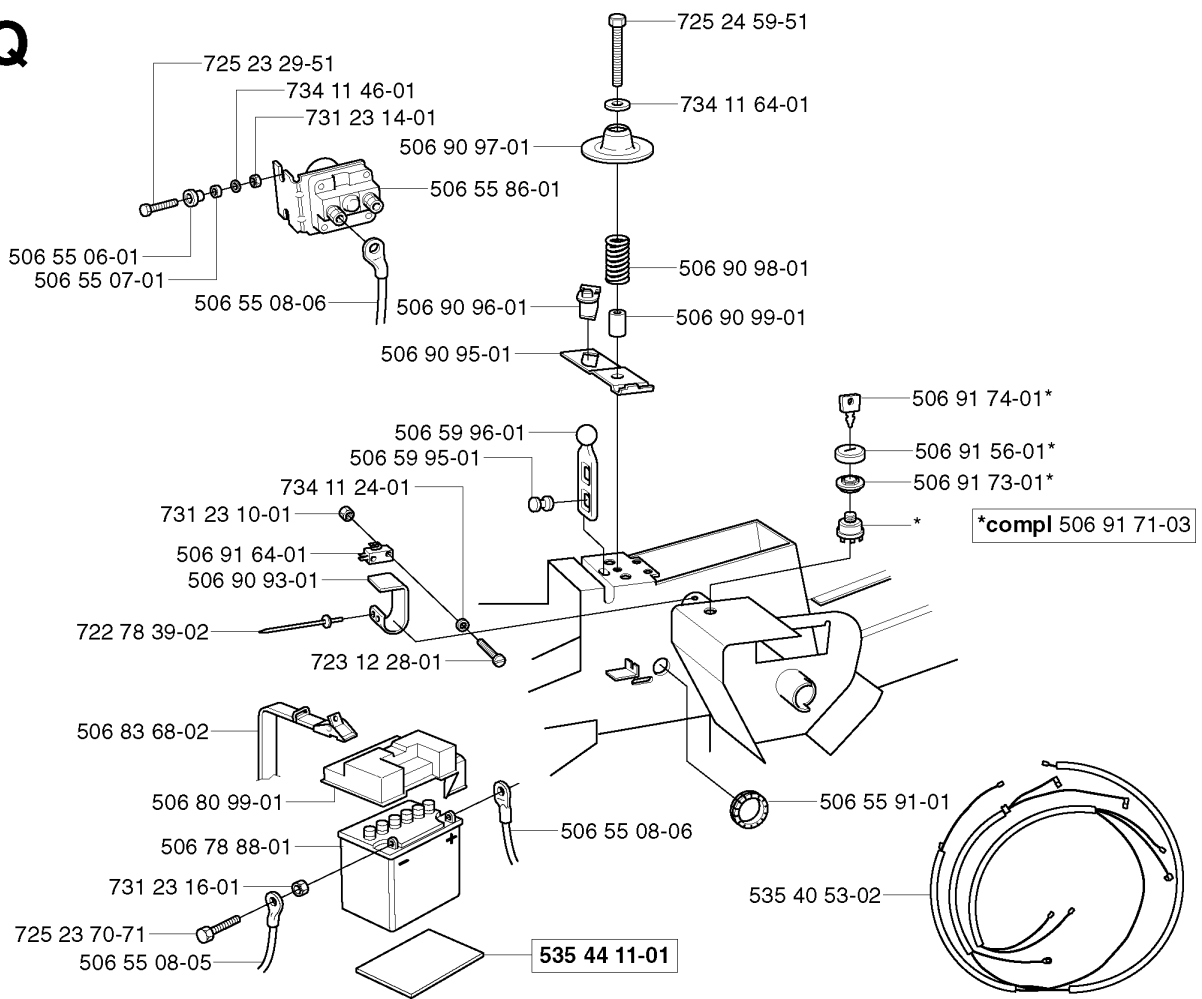


PROTECTION FRAME

RIDER 13 BIO, 2003-01

Part No	Description	Remark	QTY KIT
506 53 56-03	DRAW SPRING		1
506 59 74-01	SCREW EHHFM		1
506 59 74-01	SCREW EHHFM		1
506 59 74-01	SCREW EHHFM		1
506 59 74-01	SCREW EHHFM		1
506 81 38-01	REINFORCING PLATE		1
506 81 38-01	REINFORCING PLATE		1
506 83 98-02	GAFFELLÄNK M10X1.5		1
506 86 87-02	FRÄMRE TVÄRRÖR KPL.		1
506 86 96-01	BEARING		1
506 86 96-01	BEARING		1
506 86 96-01	BEARING		1
506 86 96-01	BEARING		1
506 96 30-01	WHEEL ASSY		1
506 97 81-01	BAKRE TVÄRRÖR KPL.		1
506 97 85-01	HAND GUARD ASSY		1
506 97 91-01	SERVICEBRICKA		1
506 97 96-01	WHEEL		1
506 98 00-01	SHAFT		1
506 98 23-01	PARALLEL ROD		1
506 98 24-01	CLUTCH ROD		1
721 61 83-01	SPLIT PIN		1
721 61 83-01	SPLIT PIN		1
725 24 61-51	SCREW EHHM		1
725 24 61-51	SCREW EHHM		1
725 24 62-51	SCREW EHHM		1
731 23 20-51	HEXAGON NUT		1
732 21 18-01	LOCK NUT		1
732 21 18-01	LOCK NUT		1
732 21 18-01	LOCK NUT		1
732 21 18-01	LOCK NUT		1
734 11 77-71	WASHER		1
734 11 77-71	WASHER		1
734 11 82-01	WASHER		1
734 11 82-01	WASHER		1
735 31 15-20	E-CLIP		1
735 31 17-00	CIRCLIP		1

Q



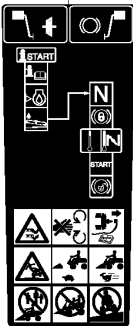
ELECTRICAL

RIDER 13 BIO, 2003-01

Part No	Description	Remark	QTY KIT
506 55 06-01	PLUG		1
506 55 07-01	INSULATING WASHER		1
506 55 08-05	STARTKABEL BATT-JORD		1
506 55 08-06	STARTKABEL BATT-RELÄ		1
506 55 08-06	STARTKABEL BATT-RELÄ		1
506 55 86-01	RELAY		1
506 55 91-01	SKAVSKYDD		1
506 59 95-01	BUTTON		1
506 59 96-01	GUMMISTROPP		1
506 78 88-01	BATTERY		1
506 80 99-01	BATTERY COVER		1
506 83 68-02	BELT		1
506 90 93-01	PLATE SPRING		1
506 90 95-01	SWITCH ATTACHMENT SE		1
506 90 96-01	SWITCH		1
506 90 97-01	SPRING WASHER		1
506 90 98-01	SPRING		1
506 90 99-01	SPACING TUBE		1
506 91 56-01	PROTECTION		1
506 91 64-01	MICRO SWITCH		1
506 91 71-03	IGNITION LOCK		1
506 91 73-01	NUT		1
506 91 74-01	KEY		1
535 40 53-02	WIRING		1
535 44 11-01	BATTERY MAT		1
722 78 39-02	BLIND RIVET		1
723 12 28-01	SCREW SLCHM		1
725 23 29-51	SCREW		1
725 23 70-71	SCREW EHHM		1
725 24 59-51	SCREW EHHM		1
731 23 10-01	HEXAGON NUT		1
731 23 14-01	HEXAGON NUT		1
731 23 16-01	HEXAGON NUT		1
734 11 24-01	WASHER		1
734 11 46-01	WASHER		1
734 11 64-01	WASHER		1

R

Warning
506 94 40-01



535 43 20-01



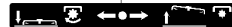
506 99 96-01



506 84 28-01



506 84 28-03



506 58 45-01



535 45 00-01



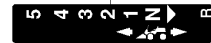
535 44 98-01

Husqvarna

506 91 57-01



506 91 57-02



506 94 54-01



535 44 99-01

Husqvarna

535 45 01-01 (x2)

Husqvarna

Husqvarna

535 44 94-01

Rider 11 BioClip

Rider 11 BioClip

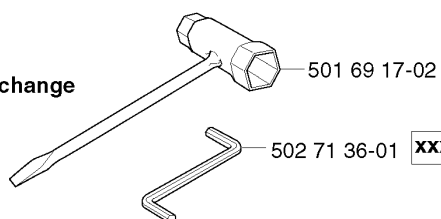
535 44 94-02

HOUSING

RIDER 13 BIO, 2003-01

Part No	Description	Remark	QTY KIT
506 58 45-01	LABEL		1
506 84 28-01	DECAL		1
506 84 28-03	DECAL		1
506 91 57-01	DECAL		1
506 94 47-01	HYDROSTATIC LABEL		1
506 94 48-01	LABEL	WARNING	1
506 94 54-01	DECAL		1
506 99 96-01	LABEL		1
535 43 20-01	DECAL		1
535 44 96-01	STRIPES MOTORKÁPA V		1
535 44 96-02	STRIPES MOTORKÁPA H		1
535 44 98-01	DECAL		1
535 44 99-01	DECAL		1
535 45 00-01	DECAL		1
535 45 01-01	DECAL		2

S Leverans endast som reservdel
Delivery as spare part only
Nur als Ersatzteil lieferbar
Livrable seulement comme pièce de rechange
Solo como repuesto
Zasíla se jenom jako náhradní díl



xxx xx xx-xx =

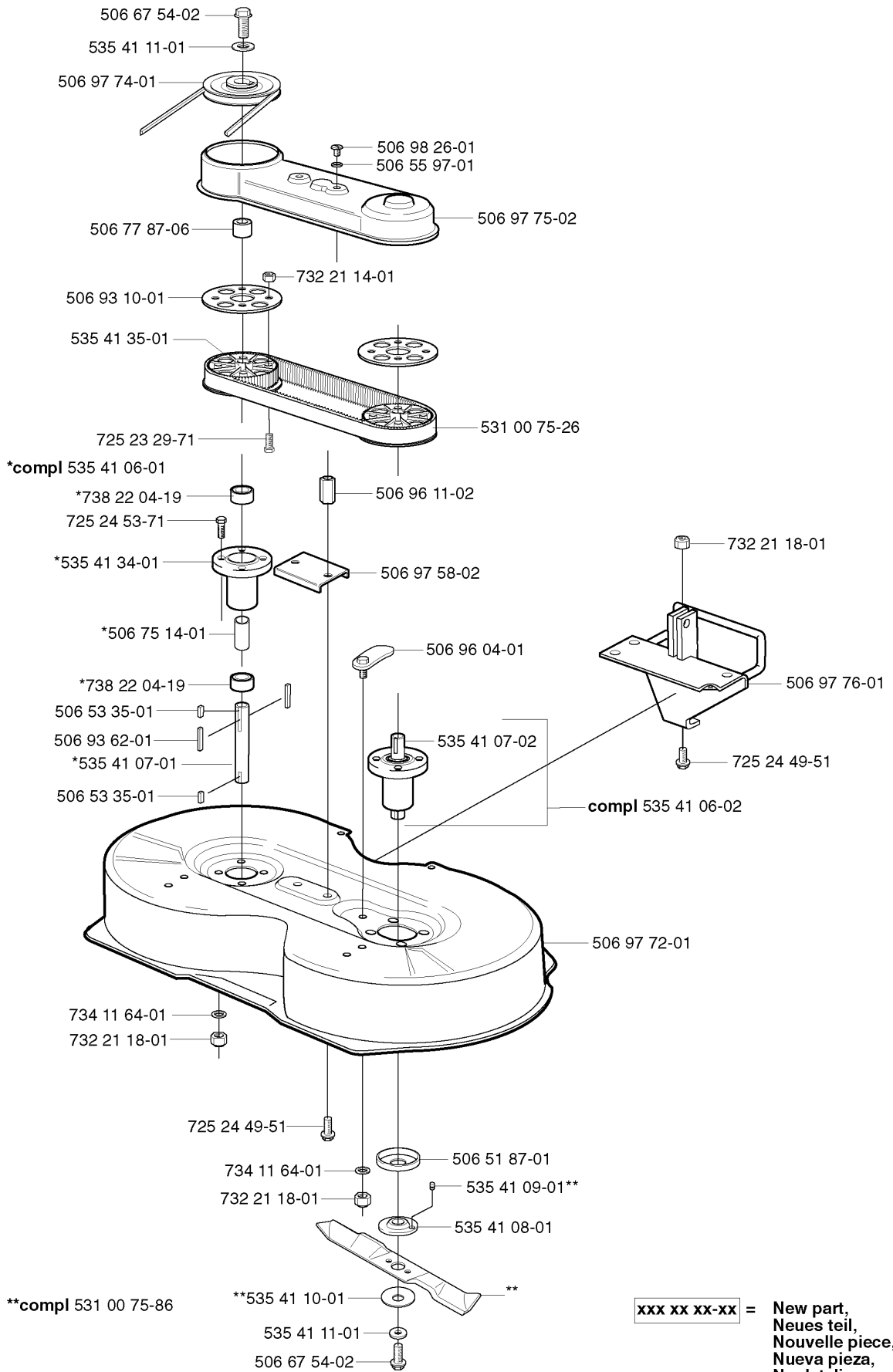
New part,
Neues teil,
Nouvelle piece,
Nueva pieza,
Ny detalj

ACCESSORIES

RIDER 13 BIO, 2003-01

Part No	Description	Remark	QTY KIT
501 69 17-02	COMBINATION WRENCH		1
502 71 36-01	SPANNER		1

T Bio 90
compl 506 97 09-07



**compl 531 00 75-86

**xxx xx xx-xx = New part,
Neues teil,
Nouvelle piece,
Nueva pieza,
Ny detalj**

90CM CUTTING DECK

RIDER 13 BIO, 2003-01

Part No	Description	Remark	QTY KIT
506 51 87-01	DUST COVER		1
506 53 35-01	PARALLEL KEY		1
506 53 35-01	PARALLEL KEY		1
506 55 97-01	WASHER		1
506 67 54-02	SCREW EHHFM		1
506 67 54-02	SCREW EHHFM		1
506 75 14-01	SPACER		1
506 77 87-06	SPACER		1
506 93 10-01	FLANGE		1
506 93 62-01	WEDGE		1
506 96 04-01	ECCENTRIC		1
506 96 11-02	DISTANSMUTTER		1
506 97 09-07	CUTTING DECK	BIO 90	1
506 97 58-02	BRACKET		1
506 97 72-01	DECK SHELL		1
506 97 74-01	PULLEY		1
506 97 75-02	BELT COVER		1
506 97 76-01	BRACKET		1
506 98 26-01	SCREW		1
531 00 75-26	BELT		1
531 00 75-86	BLADE		1
535 41 06-01	BLADE HOUSING ASSY		1
535 41 06-02	BLADE HOUSING ASSY		1
535 41 07-01	SHAFT		1
535 41 07-02	SHAFT		1
535 41 08-01	ADAPTER		1
535 41 09-01	PIN		1
535 41 10-01	CUP		1
535 41 11-01	WASHER		1
535 41 11-01	WASHER		1
535 41 34-01	BEARING HOUSING		1
535 41 35-01	PULLEY		1
725 23 29-71	SCREW EHHM		1
725 24 49-51	SCREW		1
725 24 49-51	SCREW		1
725 24 53-71	SCREW EHHM		1
732 21 14-01	LOCK NUT		1
732 21 18-01	LOCK NUT		1
732 21 18-01	LOCK NUT		1
732 21 18-01	LOCK NUT		1
734 11 64-01	WASHER		1
734 11 64-01	WASHER		1
738 22 04-19	BALL BEARING		1
738 22 04-19	BALL BEARING		1