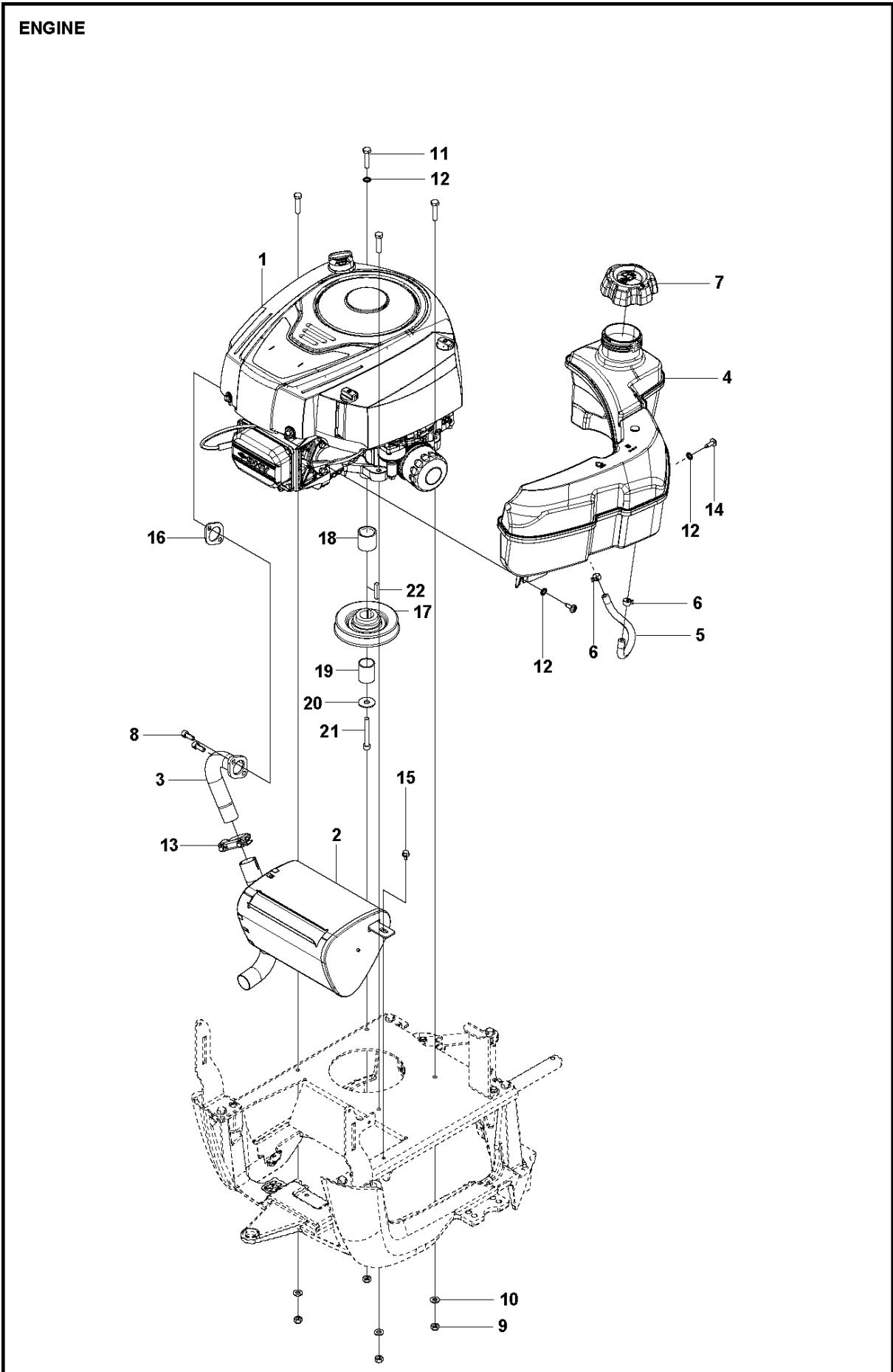




SPARE PARTS LIST

RIDERS

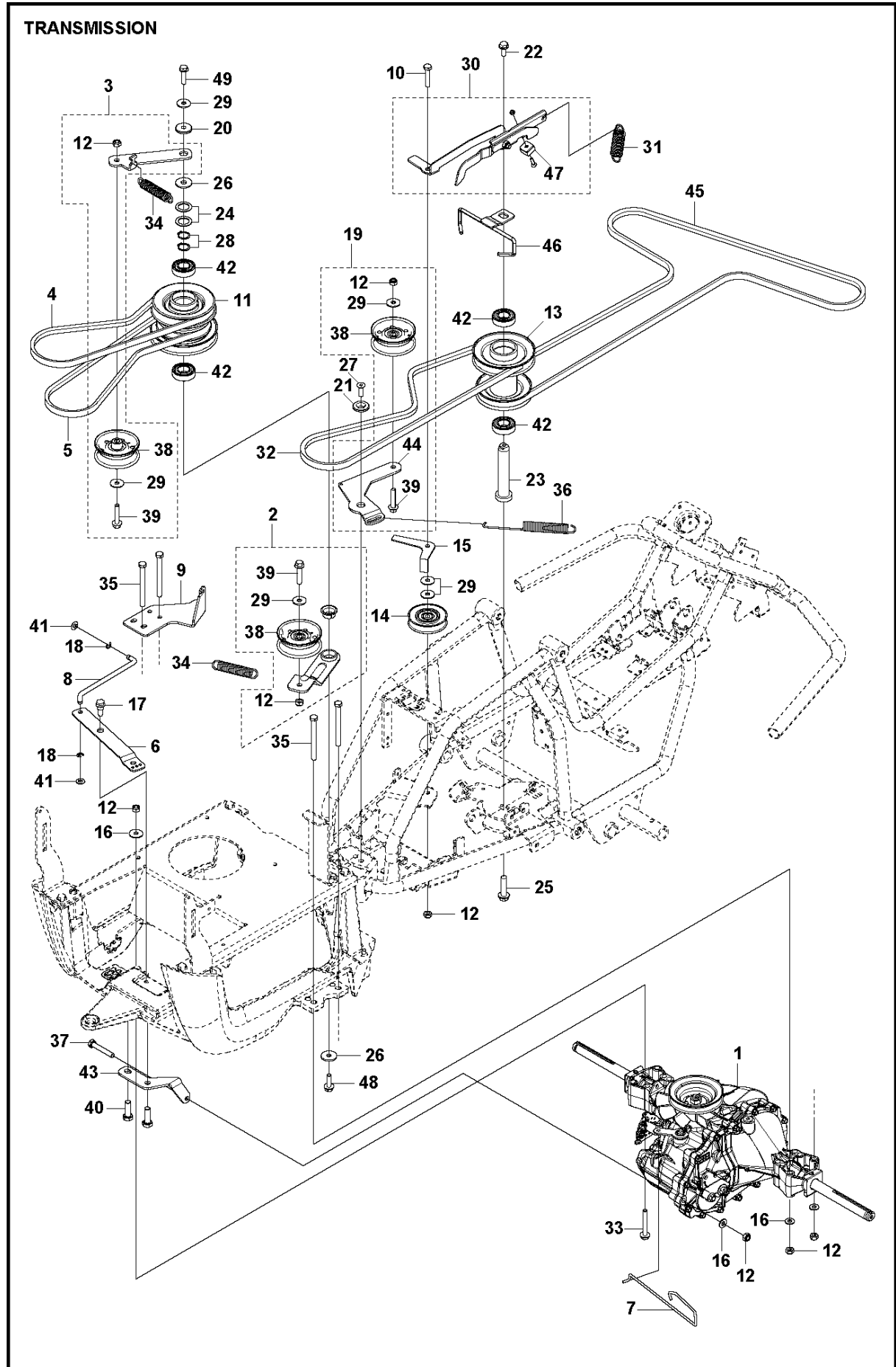
R115 C, 967252702, 2020-01



ENGINE

R115 C, 967252702, 2020-01

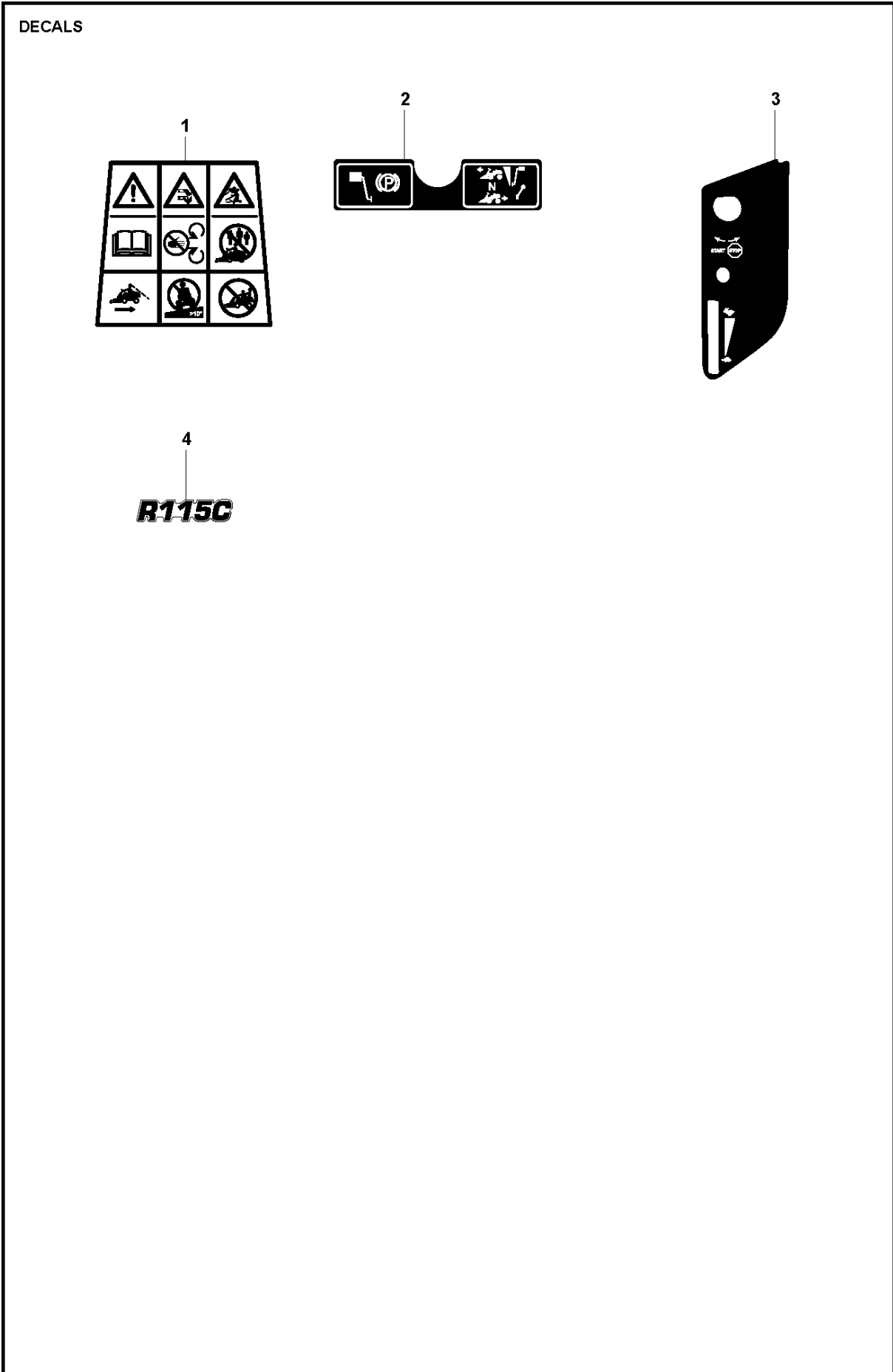
Ref	Part No	Description	Remark	QTY KIT
1	580 37 50-02	ENGINE		1
2	580 73 55-01	MUFFLER ASSY		1
3	580 37 66-01	MANIFOLD		1
4	580 54 11-02	FUEL TANK		1
5	504 80 00-13	FUEL HOSE		1
6	535 46 97-01	HOSE BRACE		2
7	584 24 87-02	FUEL CAP		1
8	506 55 63-01	SCREW UNC		2
9	732 21 18-01	LOCK NUT		4
10	734 11 64-01	WASHER		3
11	725 24 57-51	SCREW		4
12	735 21 64-01	LOCKWASHER		3
13	501 15 22-01	CLAMP ASSY		1
14	544 40 04-01	SCREW		1
15	725 23 64-61	SCREW EHHFT		2
16	506 91 45-01	GASKET		1
17	522 82 76-01	PULLEY		1
18	506 50 92-02	SPACING SLEEVE		2
19	574 41 20-02	TUBE		1
20	506 59 75-01	WASHER		1
21	506 55 60-02	SCREW UNC		1
22	506 55 59-02	WEDGE		1



TRANSMISSION

R115 C, 967252702, 2020-01

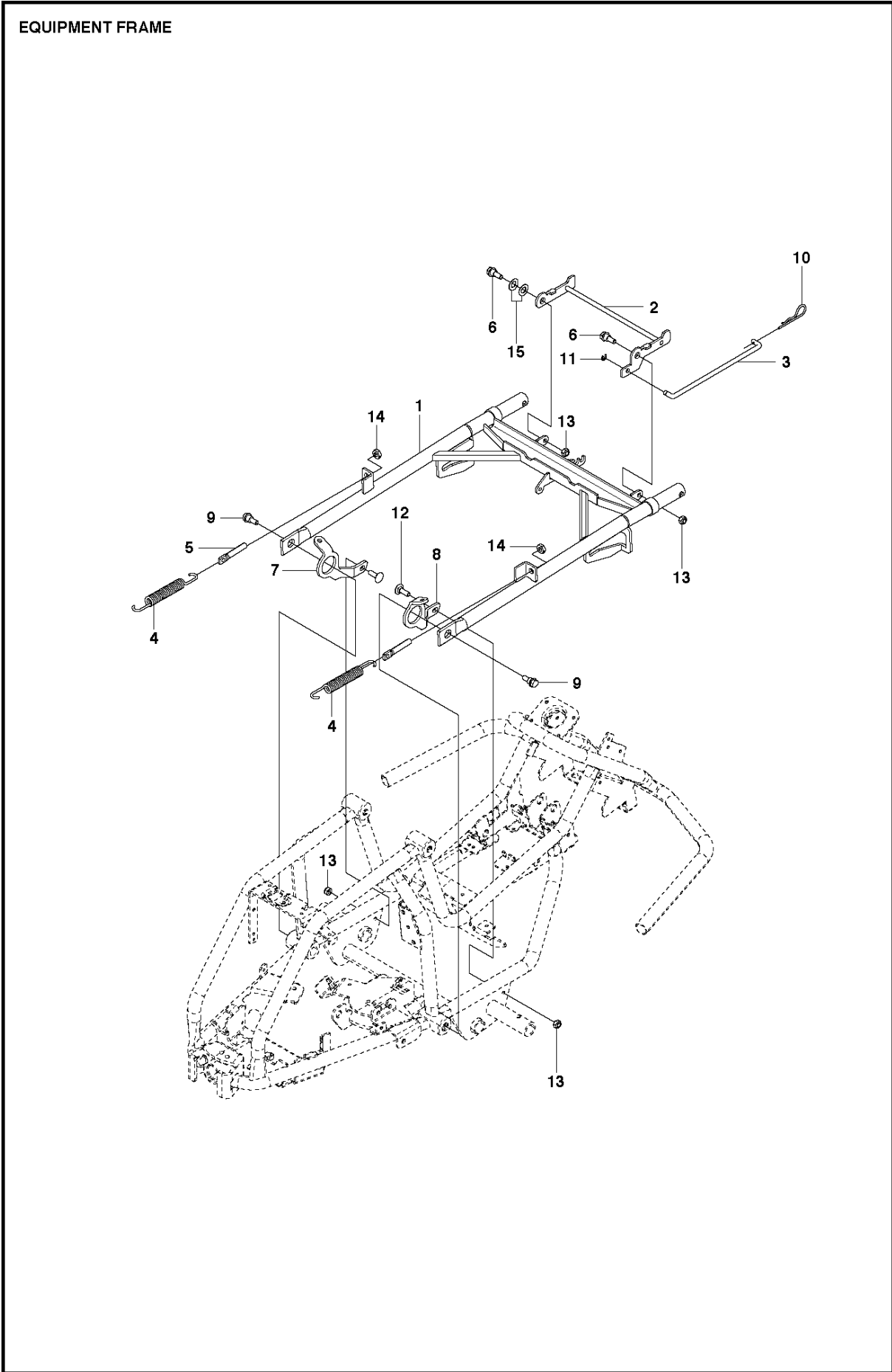
Ref	Part No	Description	Remark	QTY	KIT
1	597 59 83-01	TRANSMISSION		1	
2	580 27 90-01	BELT TENSIONER ASSY		1	
3	580 27 87-01	BELT TENSIONER ASSY		1	
4	589 56 31-01	BELT		1	
5	589 56 17-01	BELT		1	
6	597 62 53-01	LINK ARM		1	
7	580 37 49-02	ARM		1	
8	580 29 11-01	ROD		1	
9	580 29 12-02	BRACKET		1	
10	725 24 59-51	SCREW EHHM		1	
11	581 73 85-02	PULLEY		1	
12	732 21 18-01	LOCK NUT		6	2, 3, 19
13	581 74 02-01	PULLEY		1	
14	506 94 69-01	PULLEY		1	
15	577 41 85-01	BRACKET		1	
16	734 11 64-01	WASHER		5	
17	506 59 74-01	SCREW EHHFM		1	
18	735 31 10-20	E-CLIP		2	
19	522 60 33-01	BELT TENSIONER		1	
20	584 28 86-04	WASHER		1	
21	581 76 52-01	WASHER		1	
22	506 57 01-04	SCREW EHHFM		1	
23	574 25 98-01	SHAFT		1	
24	506 50 48-05	WASHER		2	
25	506 67 54-02	SCREW EHHFM		1	
26	734 11 74-41	WASHER		1	
27	725 64 53-01	SCREW IHCSFM		1	
28	735 31 22-00	CIRCLIP		2	
29	734 11 64-41	WASHER		4	2, 3, 19
30	587 97 79-01	BRAKE		1	
31	575 92 89-01	SPRING		1	
32	581 75 99-01	BELT		1	
33	506 57 01-07	SCREW EHHFM		1	
34	574 50 61-01	SPRING		2	
35	725 24 69-51	SCREW EHHM		4	
36	575 56 72-02	SPRING		1	
37	725 24 61-51	SCREW EHHM		1	
38	539 91 90-78	PULLEY		3	2, 3, 19
39	725 24 59-51	SCREW EHHM		3	2, 3, 19
40	725 24 95-71	SCREW EHHM		2	
42	738 21 04-04	BALL BEARING		4	
41	735 58 52-01	WASHER		2	
43	597 98 43-01	BRACKET		1	
44	522 60 29-01	BELT TENSIONER		1	19
45	589 53 31-01	BELT			
46	585 29 57-02	BELT GUIDE		1	
47	506 83 36-01	BRAKE LINING		1	30
48	577 21 65-01	SCREW		1	
49	506 57 01-05	SCREW EHHFM		1	



DECALS

R115 C, 967252702, 2020-01

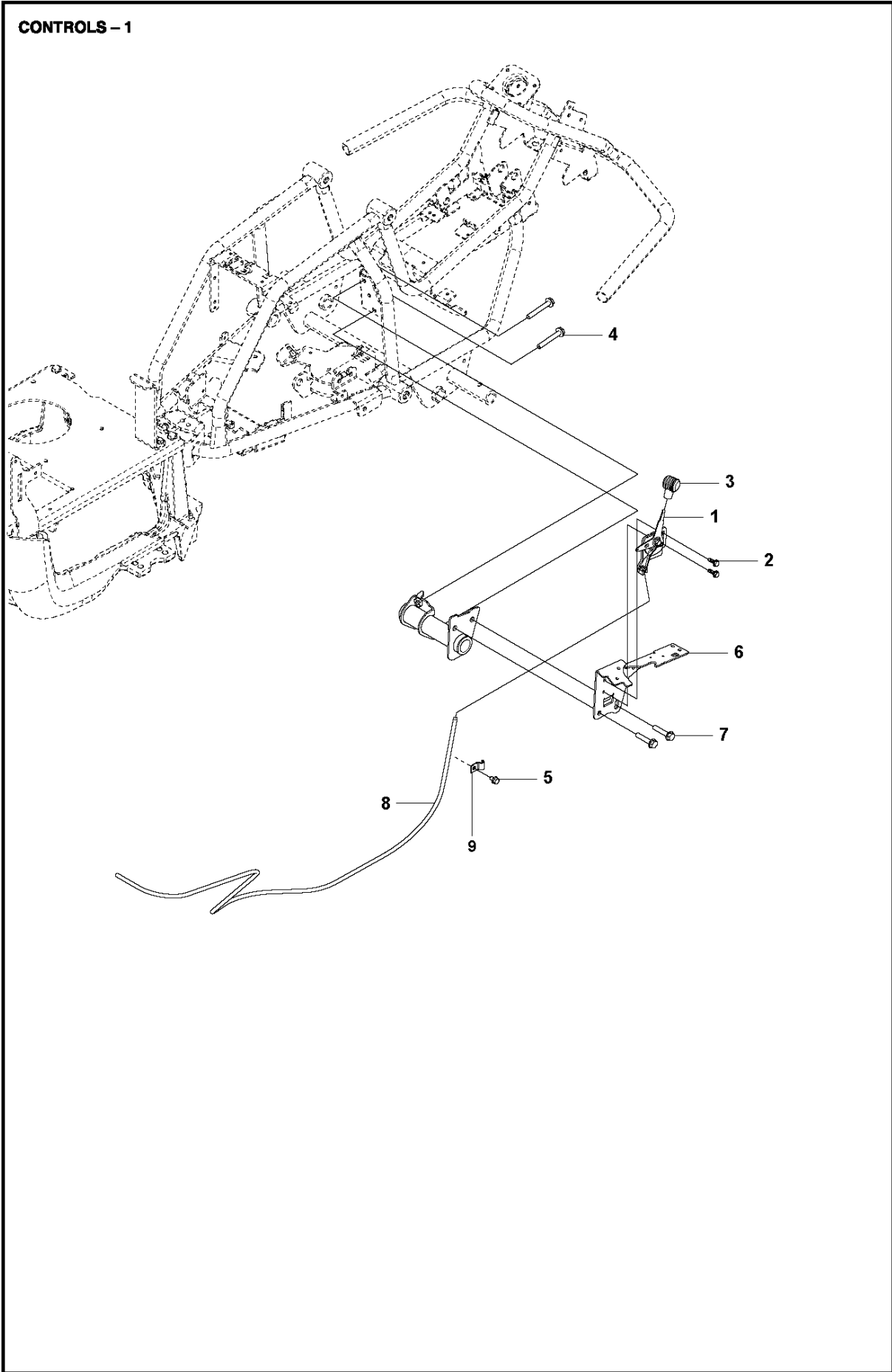
Ref	Part No	Description	Remark	QTY KIT
1	582 57 00-03	LABEL		1
2	574 85 46-01	DECAL		1
3	575 22 27-02	DECAL		1
4	581 04 82-07	DECAL		1
5	581 78 40-05	LABEL		1



FRAME

R115 C, 967252702, 2020-01

Ref	Part No	Description	Remark	QTY KIT
1	580 37 94-01	EQUIPMENT FRAME ASSY		1
2	580 90 24-01	LOCK		1
3	580 90 29-01	ROD		1
4	580 47 23-01	SPRING		2
5	580 48 06-01	SCREW		2
6	506 89 58-01	COLLAR SCREW		2
7	580 47 21-01	BRACKET		1
8	580 47 21-02	BRACKET		1
9	506 59 74-01	SCREW EHHFM		2
10	721 68 02-51	SPRING COTTER		1
11	735 31 10-20	E-CLIP		1
12	535 42 38-01	SCREW RSQM		2
13	732 21 18-01	LOCK NUT		4
14	731 23 20-01	HEXAGON NUT		2
15	506 83 94-01	SPRING WASHER		2

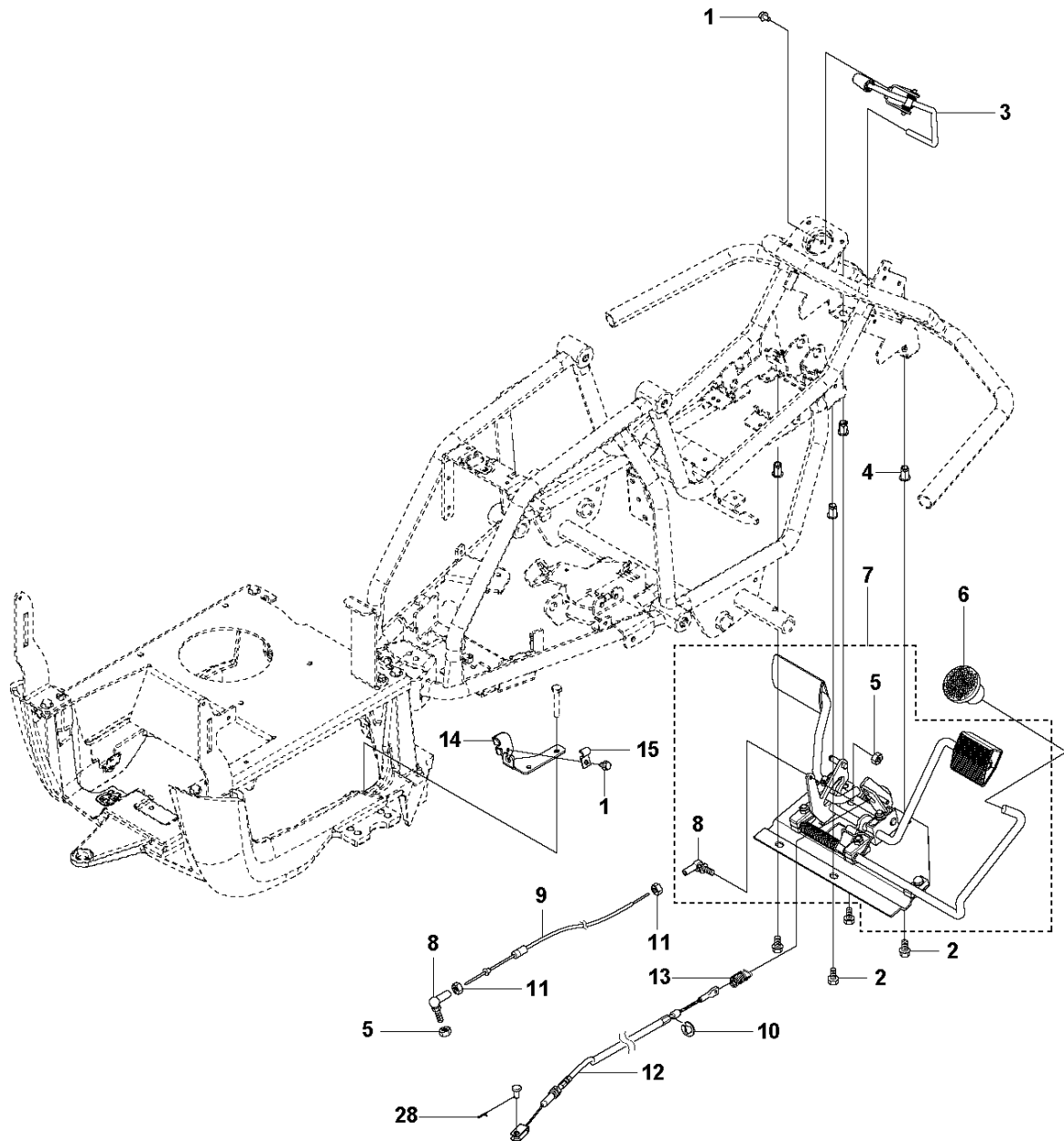


CONTROLS

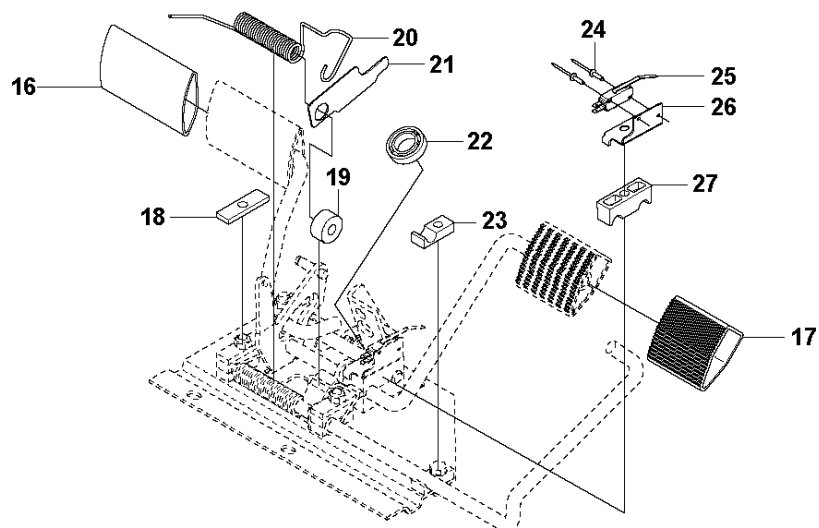
R115 C, 967252702, 2020-01

Ref	Part No	Description	Remark	QTY KIT
1	522 50 59-01	THROTTLE CONTROL		1
2	506 57 01-03	SCREW EHHFM		2
3	506 88 91-01	KNOB		1
4	725 24 63-51	SCREW EHHM		2
5	725 23 64-61	SCREW EHHFT		1
6	575 24 03-01	SHEET		1
7	506 57 01-04	SCREW EHHFM		2
8	544 30 17-04	WIRE		1
9	506 56 65-01	CLIP		1

CONTROLS - 2



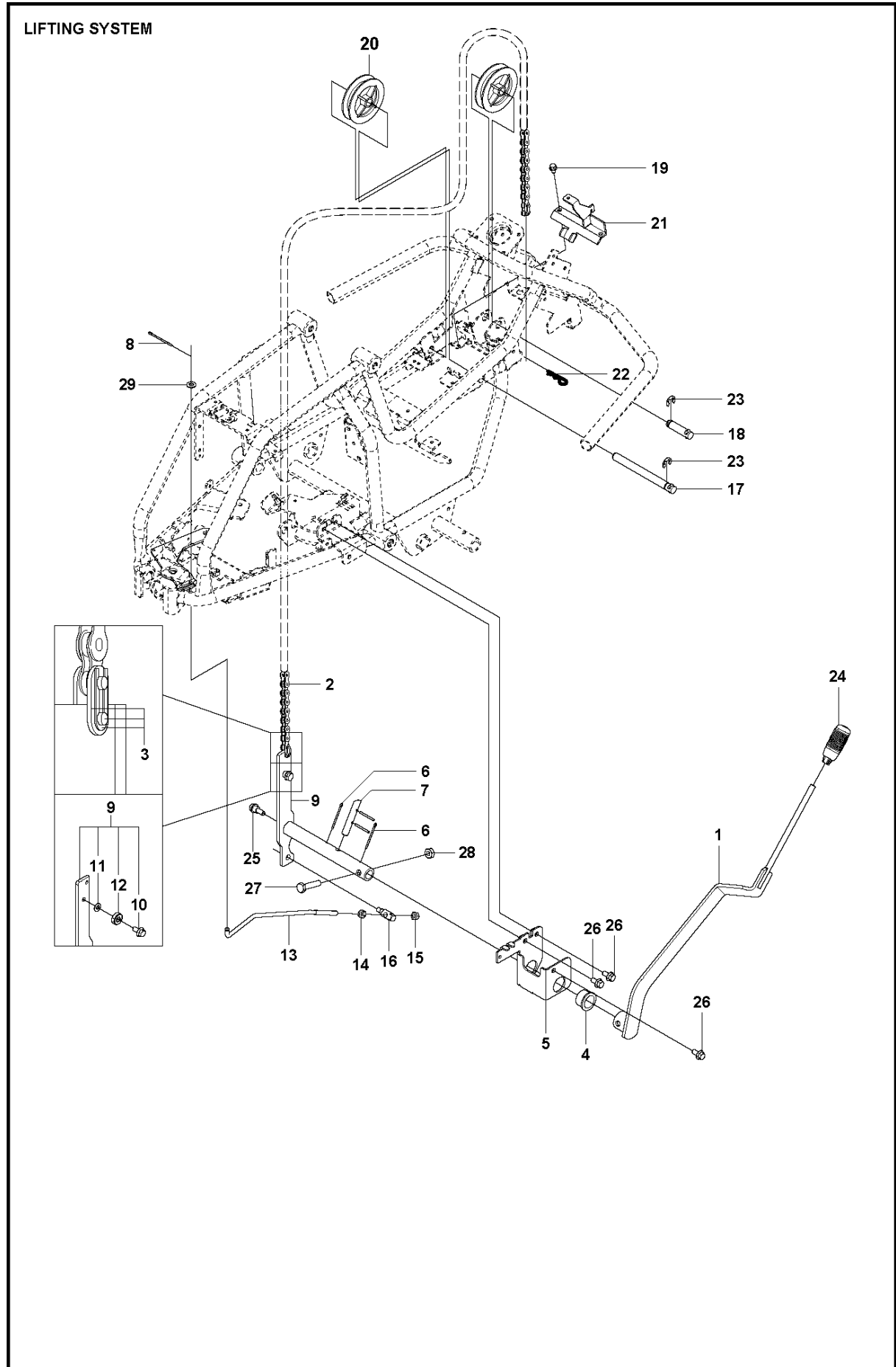
PEDALS



CONTROLS

R115 C, 967252702, 2020-01

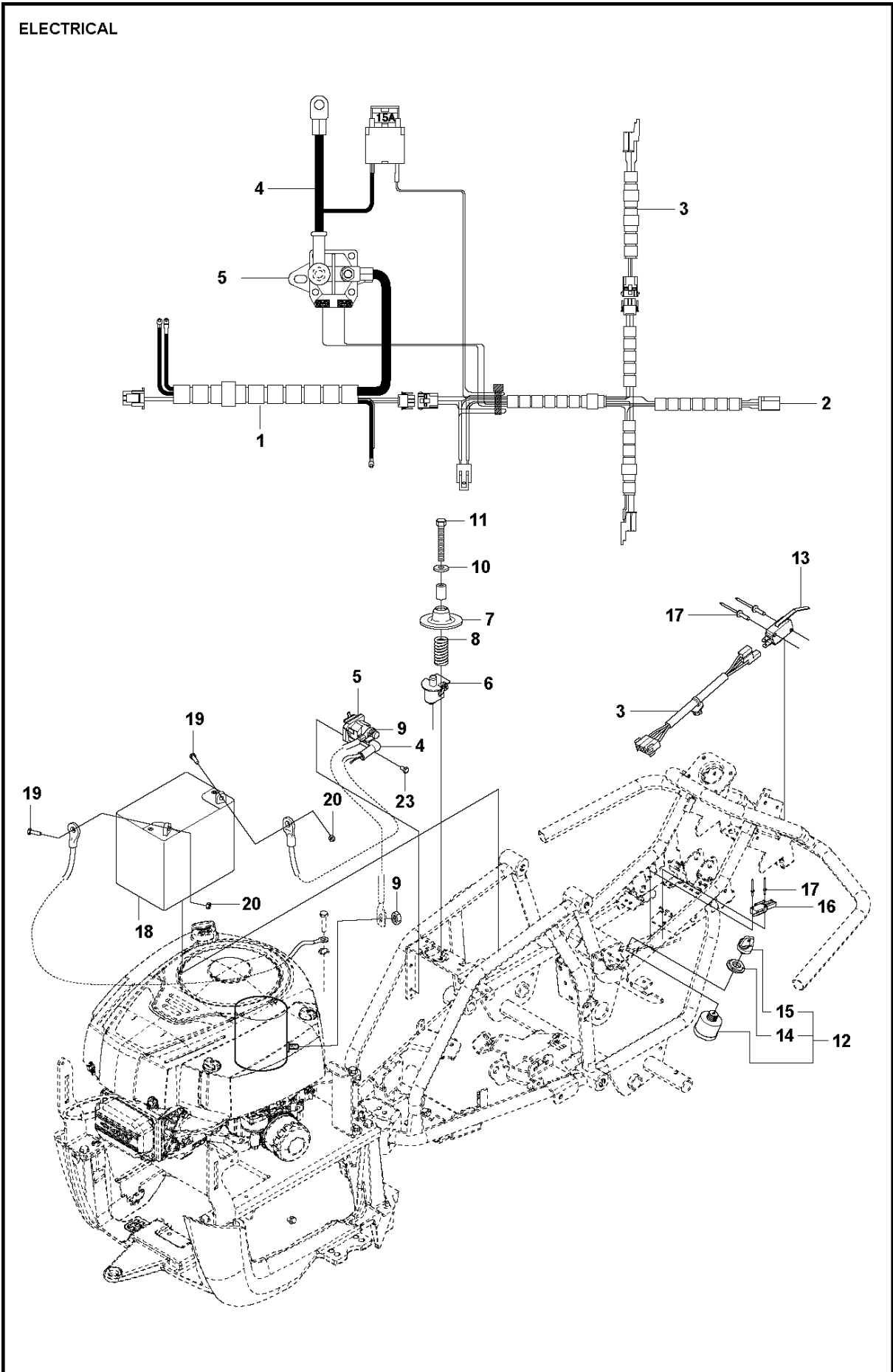
Ref	Part No	Description	Remark	QTY	KIT
1	725 23 64-61	SCREW EHHFT		7	
2	506 57 01-03	SCREW EHHFM		5	
3	523 34 60-01	LOCKING LEVER		1	
4	506 91 62-01	NUT		4	
5	731 23 14-01	HEXAGON NUT		2	7
6	586 72 74-01	KNOB		1	
7	597 93 54-01	PEDAL PLATE ASSY		1	
8	578 77 68-01	BALL JOINT		2	7
9	574 41 11-05	CONTROL CABLE		1	
10	735 31 09-20	E-CLIP		1	
11	732 21 14-01	LOCK NUT		2	
12	578 36 06-02	BRAKE WIRE		1	
13	575 35 52-01	SPRING		1	
14	597 24 80-01	WIRE HOLDER		1	
15	506 56 65-01	CLIP		2	
16	586 96 64-02	PEDAL		1	
17	586 96 64-01	PEDAL		1	
18	506 80 41-01	PLATE		3	
19	535 45 99-01	ROLLER		1	
20	535 45 95-01	SPRING		1	
21	535 45 96-01	PLATE		1	
22	738 21 02-04	BALL BEARING		1	
23	506 95 41-01	BEARING SUPPORT		5	
24	544 44 07-01	RIVET		2	
25	574 31 61-01	SWITCH		1	
26	544 41 57-01	BRACKET		1	
27	535 48 08-01	BEARING SUPPORT		4	
28	721 83 99-01	CLEVIS PIN		1	



MOWER LIFT / DECK LIFT

R115 C, 967252702, 2020-01

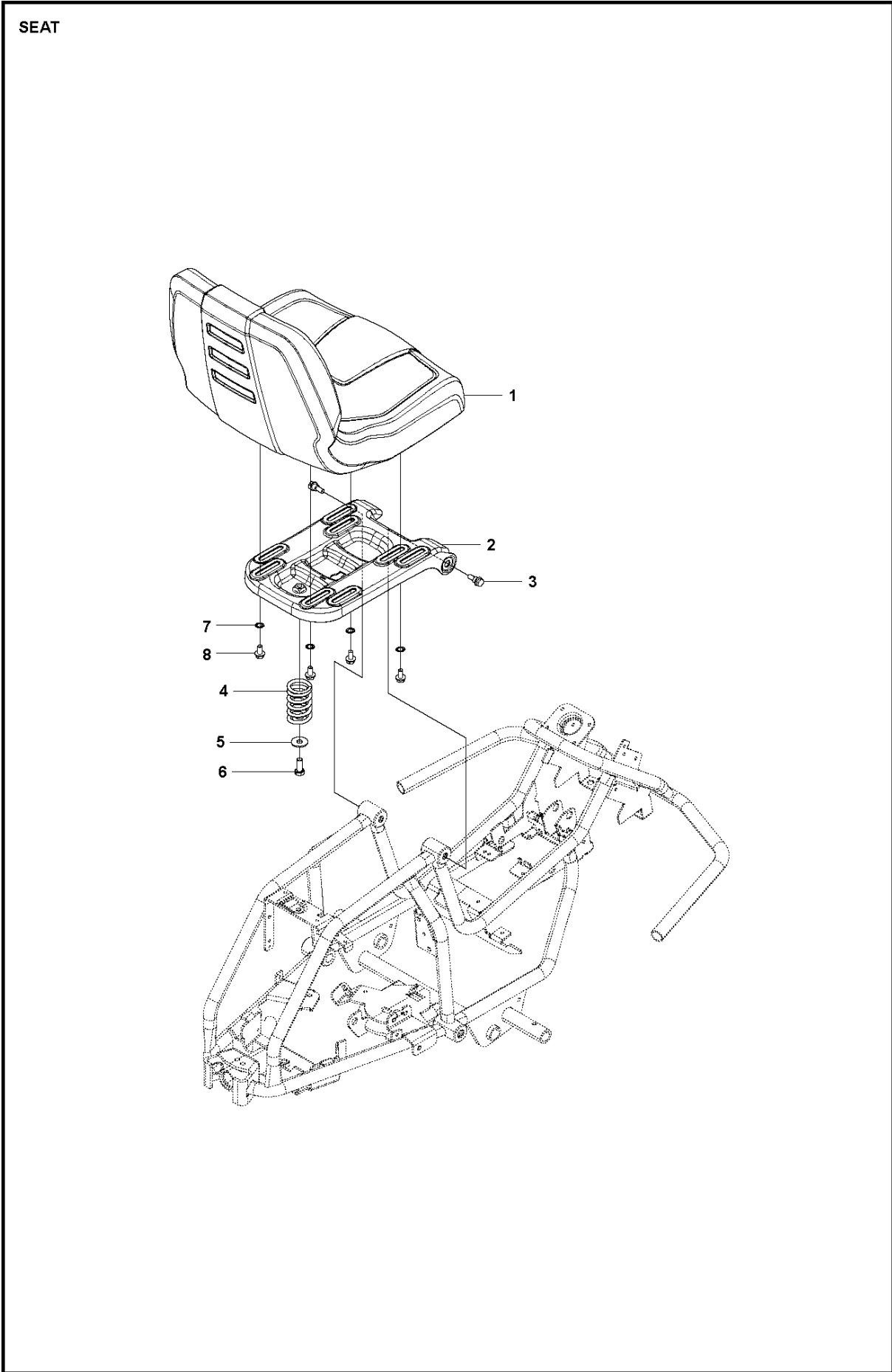
Ref	Part No	Description	Remark	QTY KIT
1	580 38 90-01	LEVER ASSY		1
2	506 55 46-06	CHAIN		1
3	506 55 47-01	LINKAGE		1
4	584 87 13-01	BEARING		1
5	525 40 47-01	BRACKET		1
6	721 61 87-01	SPLIT PIN		1
7	525 40 66-01	PEN		1
8	721 61 83-01	SPLIT PIN		1
9	581 54 58-01	LEVER ASSY		1
10	506 57 01-05	SCREW EHHFM		1
11	734 11 63-01	WASHER		1
12	738 21 98-04	BALL BEARING		1
13	522 56 01-01	ROD		1
14	731 23 18-01	HEXAGON NUT		1
15	732 21 18-01	LOCK NUT		1
16	525 49 13-01	JOINT		1
17	525 40 44-01	SHAFT		1
18	525 40 45-01	SHAFT		1
19	725 23 64-61	SCREW EHHFT		2
20	506 90 56-01	OFFSET PULLEY		2
21	574 31 58-01	BRACKET		1
22	721 68 02-51	SPRING COTTER		1
23	735 31 18-20	E-CLIP		2
24	588 16 41-01	HANDLE		1
25	506 59 74-01	SCREW EHHFM		1
26	506 57 01-03	SCREW EHHFM		3
27	725 25 00-51	SCREW EHHM		1
28	732 21 20-51	NUT		1
29	734 11 64-01	WASHER		1



ELECTRICAL

R115 C, 967252702, 2020-01

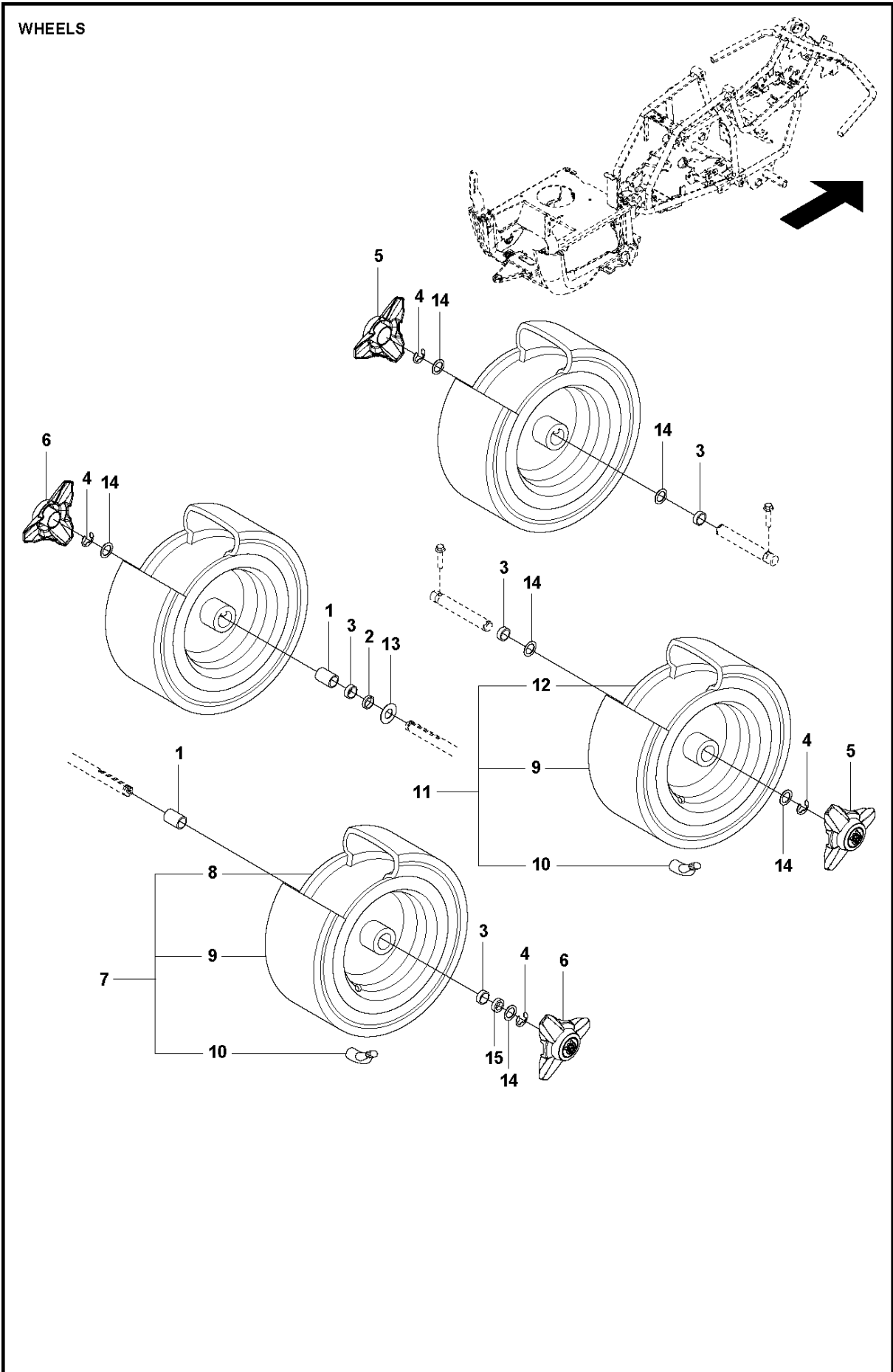
Ref	Part No	Description	Remark	QTY KIT
1	587 36 02-01	WIRING		1
2	580 35 50-01	WIRING		1
3	574 26 96-01	WIRING		1
4	586 24 88-01	WIRE		1
5	544 43 98-01	RELAY		1
6	506 90 96-01	SWITCH		1
7	506 90 97-01	SPRING WASHER		1
8	544 44 12-01	SPRING		1
9	506 89 98-01	NUT		3
10	734 11 64-01	WASHER		1
11	725 24 60-71	SCREW EHHM		1
12	544 44 21-01	IGNITION SWITCH		1
13	544 41 59-01	SWITCH		1
14	544 44 23-01	NUT		1
15	544 44 24-01	IGNITION KEY		1
16	574 31 61-01	SWITCH		1
17	544 44 07-01	RIVET		2
18	577 04 16-01	BATTERY		1
19	522 62 21-01	SCREW EHHM		2
20	522 62 43-01	NUT		2
23	725 23 64-61	SCREW EHHFT		1



SEAT

R115 C, 967252702, 2020-01

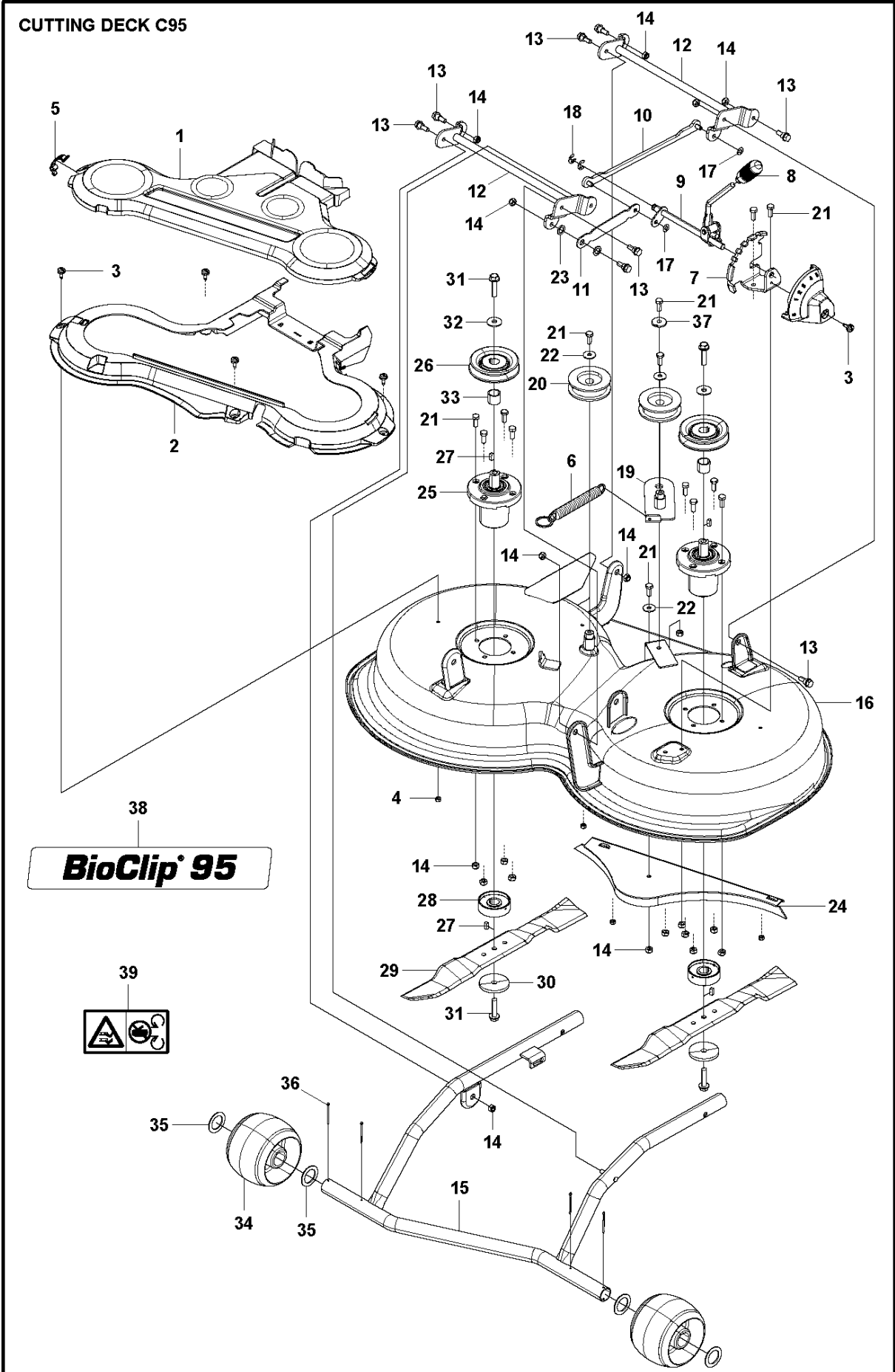
Ref	Part No	Description	Remark	QTY KIT
1	525 81 48-01	SEAT		1
2	581 04 15-01	SEAT BRACKET		1
3	506 59 74-01	SCREW EHHFM		2
4	506 91 53-01	COMPRESSION SPRING		1
5	734 11 74-41	WASHER		1
6	725 24 93-71	SCREW EHHM		1
7	735 21 64-01	LOCKWASHER		4
8	506 57 01-03	SCREW EHHFM		4



WHEELS & TIRES

R115 C, 967252702, 2020-01

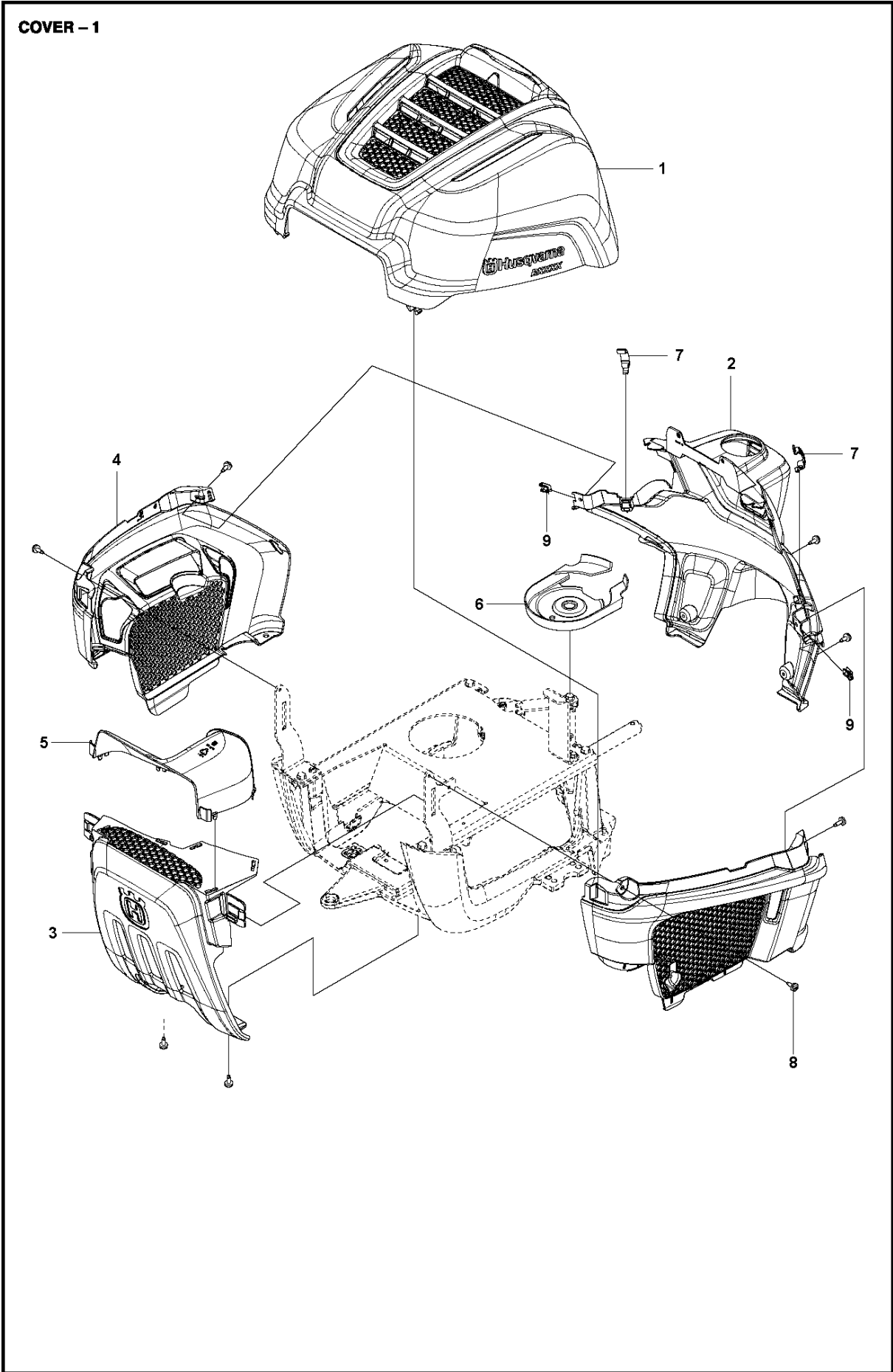
Ref	Part No	Description	Remark	QTY	KIT
1	585 35 84-09	SPACING SLEEVE		2	
2	585 35 84-08	SPACING SLEEVE		1	
3	585 35 84-02	SPACING SLEEVE		4	
4	506 89 90-01	E-CLIP		4	
5	544 35 35-02	HUB CAP		2	
6	544 35 35-01	HUB CAP		2	
7	523 01 26-02	WHEEL		2	
8	523 03 48-01	RIM		1	7
9	535 46 00-01	TYRE		1	7, 11
10	506 57 43-01	VALVE ASSY		1	7, 11
11	523 01 22-02	WHEEL		2	
12	523 03 45-01	RIM		1	11
13	506 50 48-03	WASHER		1	
14	506 50 48-05	WASHER		6	
15	575 29 27-01	SPACING SLEEVE		1	



95CM CUTTING DECK

R115 C, 967252702, 2020-01

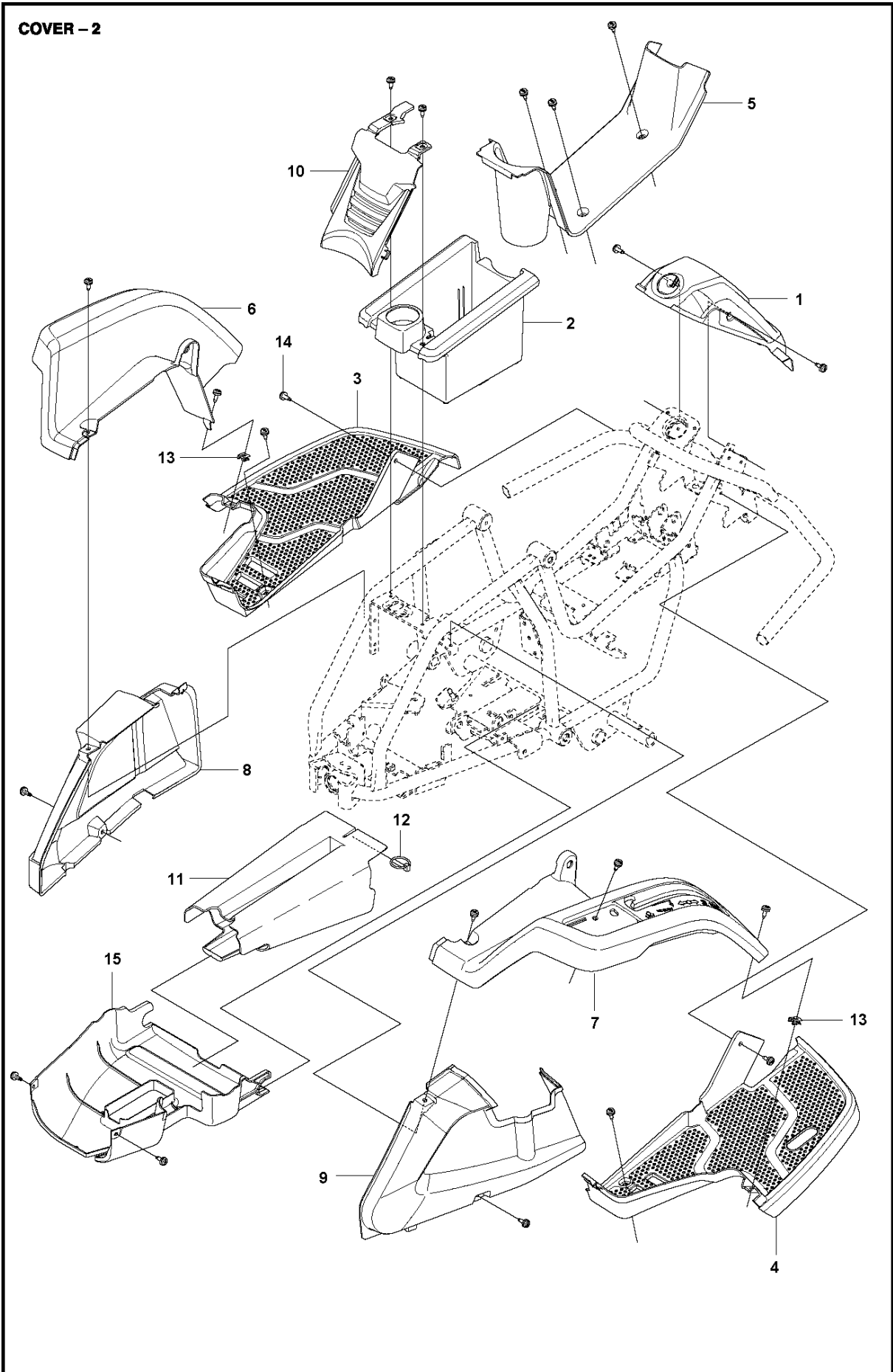
Ref	Part No	Description	Remark	QTY KIT
.	581 05 90-01	CUTTING DECK	Complete, Not shown	1
1	580 52 65-01	COVER		1
2	580 52 64-01	COVER		1
3	544 40 05-01	SCREW		5
4	732 21 16-01	LOCK NUT	M6-8.8 LOCK	4
6	584 29 88-01	SPRING		1
5	588 46 28-01	SNAP LOCKING		1
7	522 52 32-01	BRACKET		1
8	574 32 88-02	HANDLE		1
9	586 87 97-01	LEVER ASSY		1
10	586 49 90-01	LIFTING ARM		1
11	581 05 26-01	ARM		1
12	522 45 09-01	CROSS BAR		2
13	506 59 74-01	SCREW EHHFM		8
14	732 21 18-01	LOCK NUT	M8-8.8 LOCK	20
15	580 39 64-01	EQUIPMENT FRAME		1
16	580 39 01-01	CUTTING DECK		1
17	735 58 52-01	WASHER		2
18	735 31 15-20	E-CLIP		2
19	580 39 69-01	BELT TENSIONER		1
20	586 10 43-02	BELT TENSIONER WHEEL		2
21	725 24 51-71	SCREW EHHM	M8X20	14
22	734 11 64-41	WASHER		3
23	734 11 77-71	WASHER		2
24	580 39 71-01	PLUG		1
25	573 96 86-02	BEARING HOUSING ASSY		2
26	506 92 21-01	PULLEY		2
27	506 53 35-01	PARALLEL KEY		4
28	573 96 61-01	ADAPTER		2
29	580 39 74-01	BLADE	LENGTH 471.2	2
30	506 79 23-03	KNIFE PLATE		2
31	506 67 54-02	SCREW EHHFM		4
32	734 11 74-41	WASHER		2
33	580 39 75-01	DISTANCE		2
34	522 73 59-01	WHEEL		2
35	574 26 45-01	WASHER		4
36	721 61 87-01	SPLIT PIN		4
37	506 91 87-02	WASHER		1
38	574 84 97-02	DECAL		1
39	574 51 00-01	DECAL		2



COVER

R115 C, 967252702, 2020-01

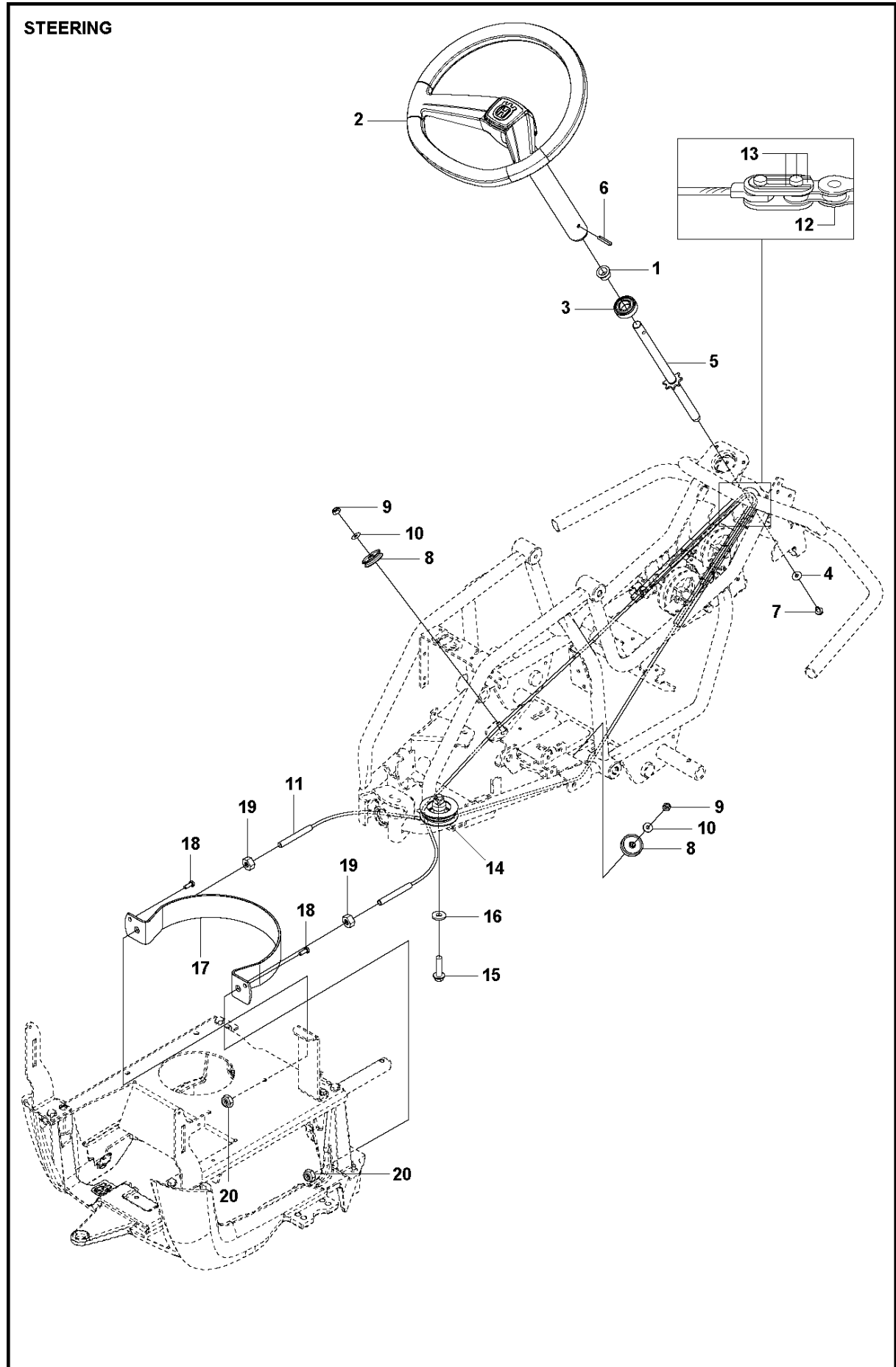
Ref	Part No	Description	Remark	QTY KIT
1	580 27 62-02	COVER		1
2	580 27 49-01	COVER		1
3	580 27 54-01	COVER		1
4	580 27 51-01	COVER		1
5	580 82 18-01	AIR CONDUCTOR		1
6	522 50 81-01	COVER		1
7	503 89 47-03	SNAP LOCKING		2
8	544 40 05-01	SCREW		8
9	535 42 91-01	SPRING NUT		2



COVER

R115 C, 967252702, 2020-01

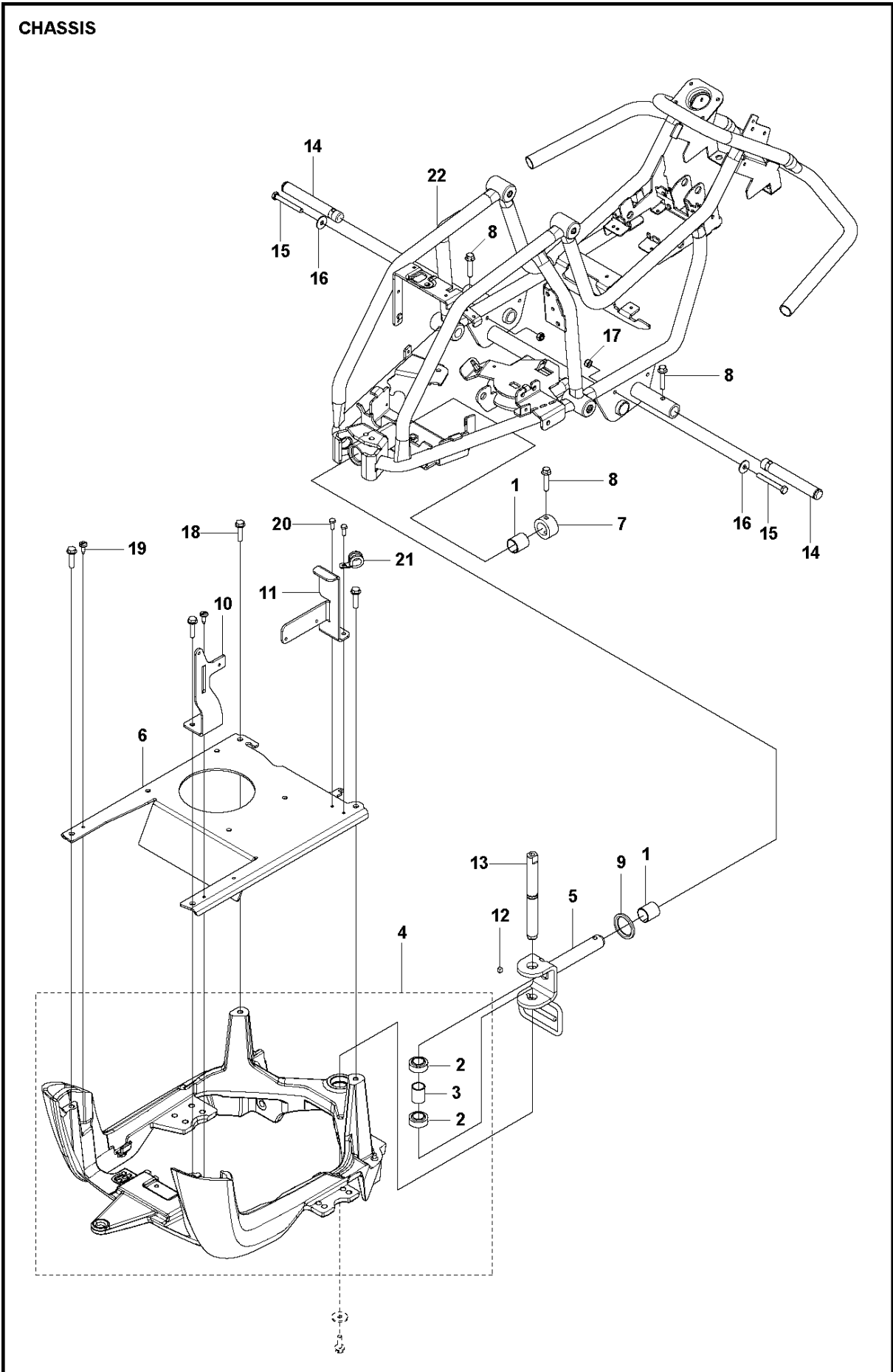
Ref	Part No	Description	Remark	QTY KIT
1	521 88 90-01	COVER		1
2	525 47 78-01	BATTERY BOX		1
3	521 88 91-01	FOOT PLATE		1
4	521 88 92-01	FOOT PLATE		1
5	522 60 18-01	COVER		1
6	521 89 07-01	COVER		1
7	521 88 93-01	CONTROL PANEL		1
8	585 61 98-01	COVER		1
9	585 62 01-01	COVER		1
10	525 47 79-01	COVER		1
11	525 39 61-01	COVER		1
12	721 68 02-51	SPRING COTTER		1
13	535 42 91-01	SPRING NUT		2
14	544 40 05-01	SCREW		20
15	575 75 14-01	COVER		1



STEERING

R115 C, 967252702, 2020-01

Ref	Part No	Description	Remark	QTY KIT
1	506 88 78-01	SPACER		1
2	594 03 37-01	STEERING SYSTEM		1
3	738 21 04-04	BALL BEARING		1
4	734 11 54-41	WASHER		1
5	581 56 67-01	STEERING ROD		1
6	721 43 18-00	SPRING PIN		1
7	535 47 52-12	SCREW EHHFM		1
8	581 15 82-01	PULLEY		2
9	732 21 18-01	LOCK NUT		2
10	734 11 64-01	WASHER		2
11	501 60 48-01	CABLE ASSY		2
12	506 55 46-01	CHAIN		1
13	506 55 47-01	LINKAGE		2
14	576 49 25-02	PULLEY		1
15	506 67 54-02	SCREW EHHFM		1
16	734 11 74-41	WASHER		1
17	525 40 43-01	GUIDE RAIL		1
18	725 23 68-61	SCREW EHHFT		2
19	731 23 20-51	HEXAGON NUT		2
20	732 21 20-51	NUT		2



CHASSIS REAR

R115 C, 967252702, 2020-01

Ref	Part No	Description	Remark	QTY KIT
1	506 98 61-01	GLIDLAGER		2
2	574 36 85-01	BEARING		2
3	522 42 45-01	SLEEVE		1
4	590 26 84-03	FRAME ASSY		1
5	580 26 74-01	SWING AXLE		1
6	579 59 78-01	BRACKET		1
7	522 42 52-01	STOP SLEEVE		1
8	725 24 59-61	SCREW EHHFT		3
9	522 42 53-01	SPACER		1
10	580 68 21-01	BRACKET		1
11	596 87 24-01	BRACKET		1
12	577 70 89-01	KEY		1
13	579 72 04-01	SHAFT		1
14	535 47 08-02	WHEEL AXLE		2
15	725 24 64-51	SCREW EHHM		2
16	734 11 64-41	WASHER		2
17	732 21 18-01	LOCK NUT		2
18	506 57 01-06	SCREW EHHFM		4
19	544 40 04-01	SCREW		1
20	725 23 68-61	SCREW EHHFT		2
21	574 53 12-03	HOSE CLAMP		1
22	581 27 41-01	FRAME		1