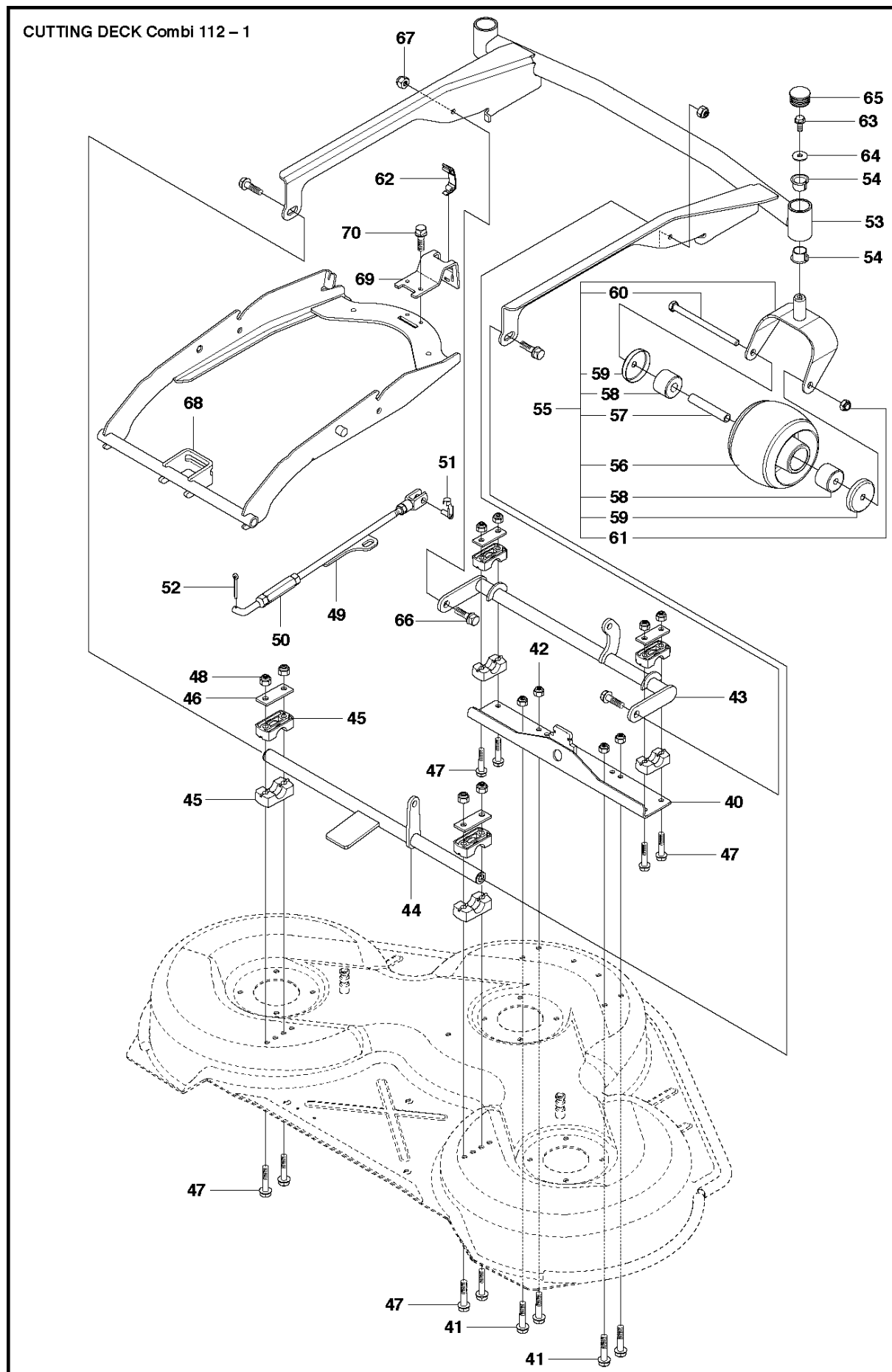




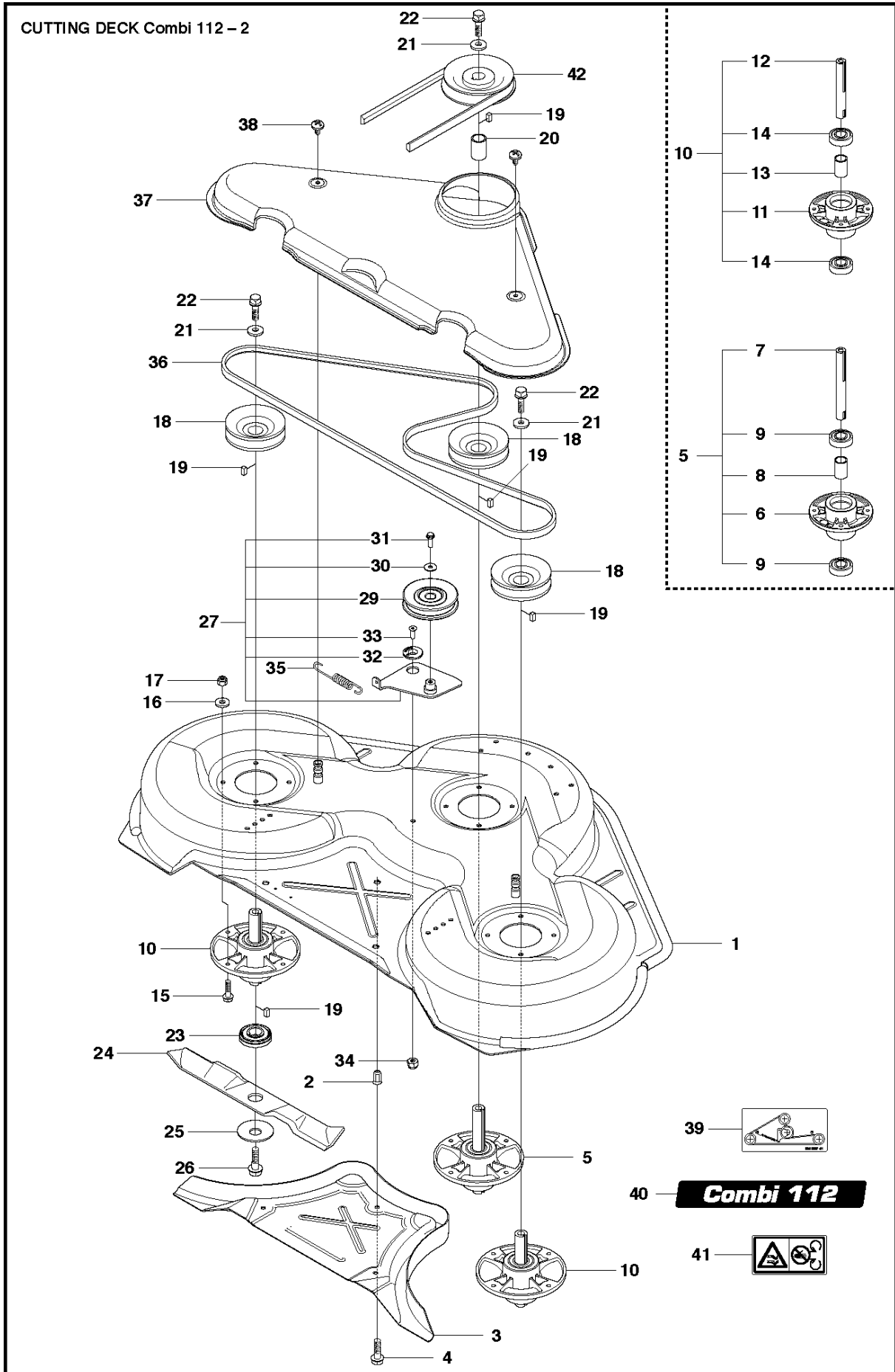
SPARE PARTS LIST

RIDERS

CUTTING DECK, Combi 112,
R300-series, 967188501, 2019-01



| Ref | Part No | Description | Remark | QTY | KIT |
|-----|--------------|--------------------|--------|-----|-----|
| 40 | 523 09 53-01 | BRACKET | | 1 | |
| 41 | 725 24 51-71 | SCREW EHHM | | 4 | |
| 42 | 732 21 18-01 | LOCK NUT | | 4 | |
| 43 | 502 64 18-05 | CROSS BAR | | 1 | |
| 44 | 523 09 45-03 | CROSS BAR | | 1 | |
| 45 | 506 86 96-01 | BEARING | | 8 | |
| 46 | 506 81 38-01 | REINFORCING PLATE | | 4 | |
| 47 | 725 24 61-51 | SCREW EHHM | | 8 | |
| 48 | 732 21 18-01 | LOCK NUT | | 8 | |
| 49 | 523 11 42-01 | PARALLEL ROD ASSY | | 1 | |
| 50 | 502 64 23-01 | PARALLEL ROD | | 1 | |
| 51 | 506 83 98-02 | GAFFELLÄNK M10X1.5 | | 1 | |
| 52 | 721 61 83-01 | SPLIT PIN | | 1 | |
| 53 | 523 08 65-03 | DECK FRAME | | 1 | |
| 54 | 574 56 19-01 | BEARING | | 4 | |
| 55 | 596 31 64-01 | PIVOT WHEEL ASSY | | 2 | |
| 56 | 582 80 26-01 | WHEEL | | 1 | 55 |
| 57 | 506 81 08-03 | TUBE | | 1 | 55 |
| 58 | 590 66 75-01 | BEARING SLEEVE | | 2 | 55 |
| 59 | 590 68 36-01 | DUST COVER | | 2 | 55 |
| 60 | 725 25 19-51 | SCREW EHHM | | 1 | 55 |
| 61 | 732 21 20-51 | NUT | | 1 | 55 |
| 62 | 588 46 28-03 | SNAP LOCKING | | 1 | |
| 63 | 506 57 01-04 | SCREW EHHFM | | 2 | |
| 64 | 734 11 64-41 | WASHER | | 2 | |
| 65 | 574 03 48-01 | PLUG | | 2 | |
| 66 | 506 59 74-01 | SCREW EHHFM | | 4 | |
| 67 | 732 21 18-01 | LOCK NUT | | 2 | |
| 68 | 523 08 75-01 | DECK ATTACHMENT | | 1 | |
| 69 | 523 11 46-01 | LOCK | | 1 | |
| 70 | 725 23 68-61 | SCREW EHHFT | | 2 | |



| Ref | Part No | Description | Remark | QTY | KIT |
|-----|--------------|---------------------|--------|-----|-----|
| 1 | 574 20 95-01 | CUTTING DECK | | 1 | |
| 2 | 506 91 62-01 | NUT | | 3 | |
| 3 | 544 44 93-01 | PLUG | | 1 | |
| 4 | 506 57 01-04 | SCREW EHHFM | | 3 | |
| 5 | 576 38 41-01 | BLADE HOUSING ASSY | | 1 | |
| 6 | 576 38 42-01 | BEARING HOUSING | | 1 | 5 |
| 7 | 576 38 43-01 | SHAFT | | 1 | 5 |
| 8 | 576 38 44-01 | SPACING SLEEVE | | 1 | 5 |
| 9 | 738 23 04-34 | BALL BEARING | | 2 | 5 |
| 10 | 576 38 41-02 | BLADE HOUSING ASSY | | 2 | |
| 11 | 576 38 42-01 | BEARING HOUSING | | 1 | 10 |
| 12 | 576 38 43-02 | SHAFT | | 1 | 10 |
| 13 | 576 38 44-01 | SPACING SLEEVE | | 1 | 10 |
| 14 | 738 23 04-34 | BALL BEARING | | 2 | 10 |
| 15 | 535 42 38-01 | SCREW RSQM | | 12 | |
| 16 | 734 11 64-01 | WASHER | | 12 | |
| 17 | 732 21 18-01 | LOCK NUT | | 12 | |
| 18 | 506 92 21-01 | PULLEY | | 3 | |
| 19 | 506 53 35-01 | PARALLEL KEY | | 7 | |
| 20 | 544 06 80-02 | SPACING SLEEVE | | 1 | |
| 21 | 734 11 74-41 | WASHER | | 3 | |
| 22 | 544 11 41-01 | SCREW EHHM | | 3 | |
| 23 | 535 50 42-02 | ADAPTER | | 3 | |
| 24 | 504 18 81-10 | BLADE | | 3 | |
| 25 | 588 14 56-01 | PLATE | | 3 | |
| 26 | 544 11 41-01 | SCREW EHHM | | 3 | |
| 27 | 586 96 66-01 | BELT TENSIONER ASSY | | 1 | |
| 29 | 506 53 27-01 | PULLEY | | 1 | 27 |
| 30 | 734 11 64-41 | WASHER | | 1 | 27 |
| 31 | 586 32 04-01 | SCREW | | 1 | 27 |
| 32 | 586 49 67-01 | WASHER | | 1 | 27 |
| 33 | 725 64 53-01 | SCREW IHCSFM | | 1 | 27 |
| 34 | 732 21 18-01 | LOCK NUT | | 1 | |
| 35 | 506 53 31-01 | SPRING | | 1 | |
| 36 | 589 51 46-01 | BELT | | 1 | |
| 37 | 544 09 62-01 | BELT COVER | | 1 | |
| 38 | 544 40 05-01 | SCREW | | 2 | |
| 39 | 506 78 97-01 | LABEL | | 1 | |
| 40 | 544 23 81-05 | LABEL | | 2 | |
| 41 | 574 51 00-01 | DECAL | | 2 | |
| 42 | 506 77 86-01 | PULLEY | | 1 | |