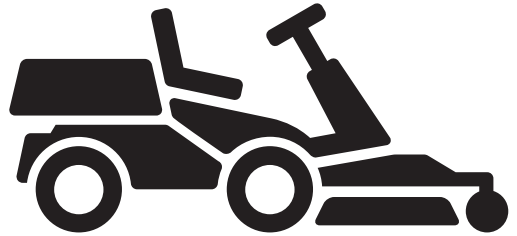




# Husqvarna®



## RC 318T, RC 320Ts AWD

EN	Operator's manual	2-37
ES	Manual de usuario	38-75
IT	Manuale dell'operatore	76-113
PT	Manual do utilizador	114-151

---

## Contents

---

Introduction.....	2	Transportation, storage and disposal.....	32
Safety.....	7	Technical data.....	34
Assembly.....	12	Service.....	36
Operation.....	14	Warranty.....	36
Maintenance.....	19	EC Declaration of Conformity.....	37
Troubleshooting.....	30	.....	0

---

## Introduction

---

### Pre-delivery inspection and product numbers

---

**Note:** A pre-delivery inspection has been done of this product. Make sure that you receive a signed copy of the pre-delivery inspection document from your dealer.

---

Service agent contact information:	
This operator's manual belongs to product with product number / serial number:	
/	
Engine:	
Transmission:	

### Product description

The RC 318T and RC 320Ts AWD are ride-on lawn mowers equipped with collect mode. In collect mode, an auger sends the cut grass into a grass collector. Visual and audio signals show the status of the auger and collector. Forward and reverse pedals let the user adjust the speed steplessly. An hour meter shows how many hours the product has mowed. The battery is a rechargeable lithium iron phosphate battery, LiFePO<sub>4</sub>. RC 320Ts AWD has all wheel drive (AWD).

### Intended use

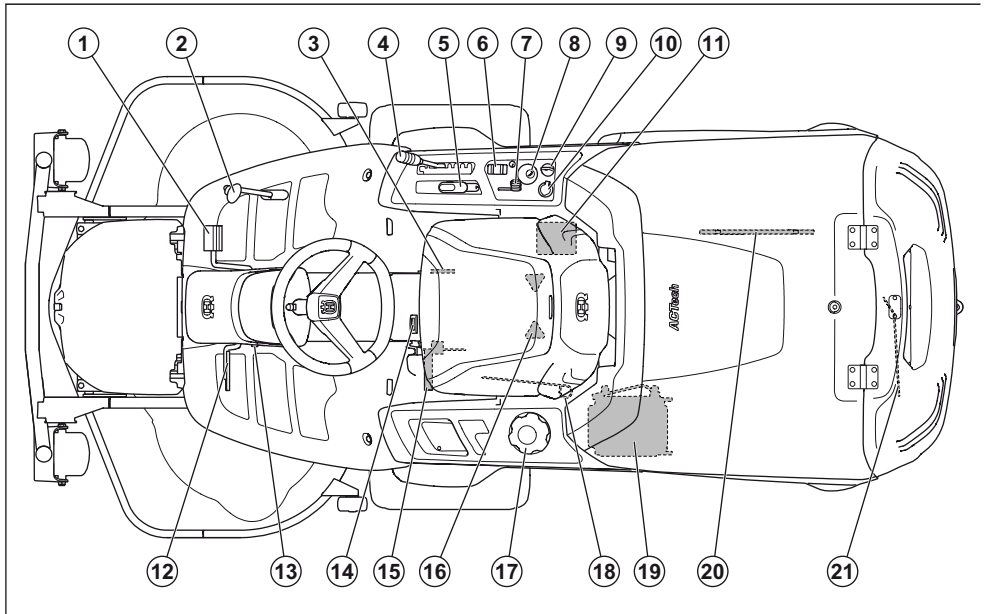
The RC 318T and RC 320Ts AWD ride-on lawn mowers are made to mow grass on open and level ground in

residential areas and gardens. It is not permitted to use the product for other tasks.

### Insure your product

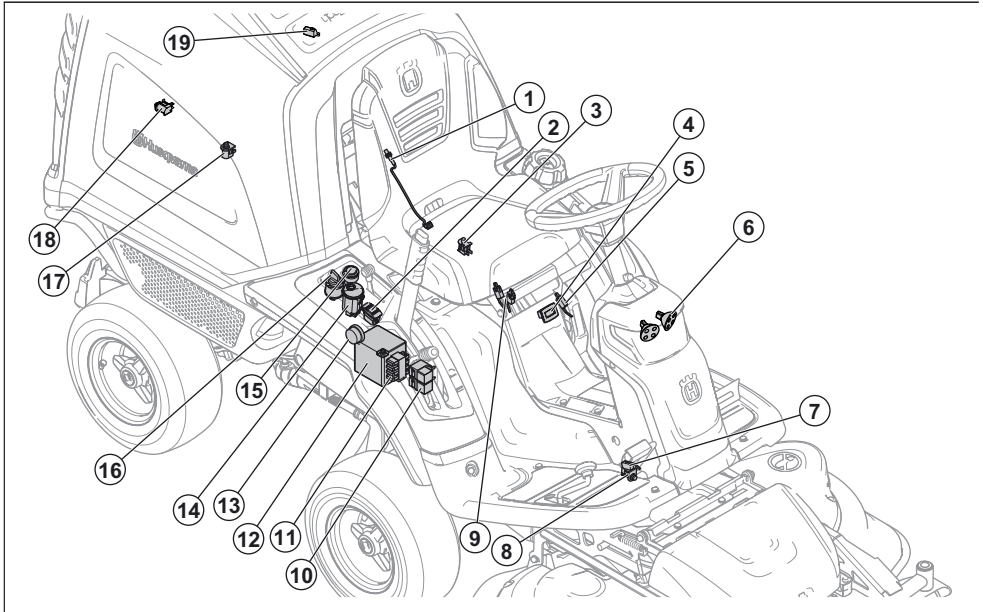
Make sure that you have insurance coverage for your new product. Speak to your insurance company if you are not sure. We recommend a fully comprehensive insurance that includes third party, fire, damage, theft and liability.

## Product overview



- |  |   |
|--|---|
| 1. Pedal for driving forward   | 13. Lock button for parking brake   |
| 2. Pedal for reversing   | 14. Hour meter  |
| 3. Type plate  | 15. Auger servicing position lever  |
| 4. Cutting height lever  | 16. Seat adjustment   |
| 5. Lift lever for the cutting deck   | 17. Fuel cap  |
| 6. Switch for tilting the collector  | 18. Lever to engage or disengage the drive on the front axle, RC 320Ts AWD  |
| 7. Throttle control  | 19. Hydraulic oil cooler, RC 320Ts AWD  |
| 8. Auger control switch with LED indicators                                    | 20. Auger maintenance tool  |
| 9. Ignition lock   | 21. Lever to engage or disengage the drive, RC 318T.<br>Lever to engage or disengage the drive on the rear axle, RC 320Ts AWD |
| 10. Power outlet 12V   |   |
| 11. Battery  |   |
| 12. Parking brake pedal (RC 320Ts AWD)/parking and speed brake pedal (RC 318T) |   |

## Electrical system overview



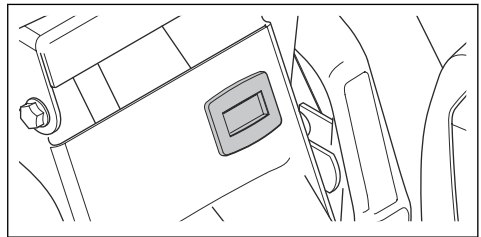
1. Auger rotation sensor
2. Switch for tilting the collector
3. Seat safety switch
4. Hour meter
5. Switch for the lever for the auger servicing position
6. Headlights
7. Microswitch, parking brake
8. Sensor for cutting deck in place
9. Safety switch for the lift lever
10. Relay
11. Fuses
12. Battery
13. Buzzer
14. Auger control switch with LED indicators
15. Power outlet (12 V)
16. Ignition lock
17. Collector position sensor
18. Switch for collector hatch
19. Sensor for collector full

### Seat safety switch

The seat safety switch starts the safety circuit when the operator lifts from the seat. The engine and the drive to the blades stop if the blades are engaged or the parking brake is not applied. See also *Safety circuit on page 9*.

### Hour meter

The hour meter shows how many hours the engine has run. The time with ignition on but engine off is not registered. The last digit shows tenths of an hour (6 minutes).



### Battery

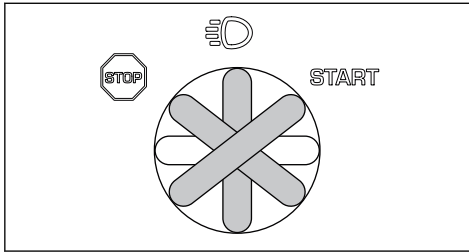
The battery is a rechargeable lithium iron phosphate battery, LiFePO<sub>4</sub>. If the voltage in the battery is too low, it goes into protection mode and does not react when you turn the ignition on. When the battery is in protection mode or if it is too weak to start the engine, it must be charged. See *To charge the battery on page 24*.

### Power outlet

The voltage of the power outlet is 12 V. The power outlet is fused, see *To replace a fuse on page 24*.

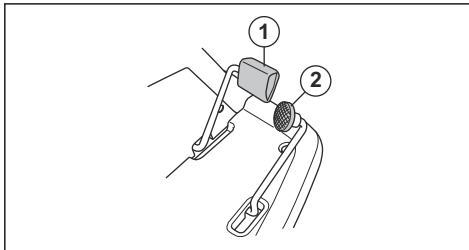
## Ignition lock

The ignition lock has 4 positions: stop, lights, neutral and start. If the ignition is left on but the engine is off, a beep is heard at a 20 second interval to remind the user to turn the ignition lock to STOP to not discharge the battery.



## Forward and rearward pedals

The speed is gradually adjusted with 2 pedals. The left pedal (1) is used to move forward, and the right pedal (2) is used to move rearward. The product brakes when the pedals are released.



## Auger control switch with LED indicators

Symbols on the auger control switch show if the product is in collect or non-collect mode and the status of the auger and collector. The table below gives the meaning of the different symbols.



The auger is in the servicing position. The symbol lights up red and a beep is heard.



The cutting deck is not attached correctly. The symbol lights up red and a beep is heard.



The collector is full. The symbol lights up orange and a beep is heard. The auger continues to send grass into the collector. If you do not empty the collector, the pressure from the grass opens the collector hatch after some time.



The collector hatch is open. The symbol lights up red and a beep is heard.



The collector is not lowered. The symbol lights up red and a beep is heard.



A green symbol on the auger button shows that the product is set to collect mode.

A blue symbol on the auger button shows that the product is set to non-collect mode.

Press and hold the auger button until a beep is heard to change between collect and non-collect mode.

A red symbol on the auger button shows that the auger is blocked and has stopped. A continuous beep is heard. Turn the ignition lock to STOP to stop the beeping. See the instructions in *To remove blockage from the auger on page 21* to remove the blockage before you start the product again.

## Symbols on the product



**WARNING:** Careless or incorrect use can result in serious or fatal injury to the operator or others.



Please read the operator's manual carefully and make sure that you understand the instructions before use.



Rotating blades. Keep body parts away from the cover when the engine is on.



Warning: rotating parts. Keep body parts away.



Look out for thrown objects and ricochets.



Never use the product if persons, especially children, or animals, are in the vicinity.



Look behind you before and while you move the product in reverse.



Never cut grass across a slope. Do not cut grass on ground that slopes more than 10°. See *To mow on slopes on page 10*.



Never carry passengers on the product or equipment.



Move forward.

**N**

Neutral.



Move rearward.



Parking brake, model RC 320Ts AWD.



Speed brake and parking brake, model RC 318T.



Stop the engine.

**START**

Start the engine.



Headlights.



Engine speed – fast.



Engine speed – slow.



The auger is in the servicing position.



The cutting deck is not attached.



The collector is full.



The collector hatch is open.



The collector is not lowered.



Status indication lamp for auger system.



Tilt and open the collector.



Lower the collector to the operation position.



Fuel.



Max. ethanol 10%.



Cutting height.



Servicing position for the cutting height lever.



The blades are engaged.



The blades are disengaged.



Servicing position for the cutting deck.



Mowing position for the cutting deck.



The auger is in operation position.



The auger in servicing position.



Do not step here.



Hydrostatic freewheel.



Oil level.



Risk of crush injuries.



Risk of crush injuries. Keep body parts away from the equipment frame.



Hot surface.



Do not touch.



This product is in accordance with applicable EC directives.



Noise emission to the environment according to the European Community's Directive. The product's emission is specified in the Technical data chapter and on the label.



Always wear approved hearing protection.

yyyywwxxxx

The serial number on the type plate. **yyyy** is the production year, **ww** is the production week and **xxxx** is the sequential number.

**Note:** Other symbols/decals on the product refer to certification requirements for some markets.

## EU V



**WARNING:** Tampering with the engine voids the EU type-approval of this product.

## Product liability

As referred to in the product liability laws, we are not liable for damages that our product causes if:

- the product is incorrectly repaired.
- the product is repaired with parts that are not from the manufacturer or not approved by the manufacturer.
- the product has an accessory that is not from the manufacturer or not approved by the manufacturer.
- the product is not repaired at an approved service center or by an approved authority.

## Safety

### Safety definitions

Warnings, cautions and notes are used to point out specially important parts of the manual.



**WARNING:** Used if there is a risk of injury or death for the operator or bystanders if the instructions in the manual are not obeyed.



**CAUTION:** Used if there is a risk of damage to the product, other materials or the adjacent area if the instructions in the manual are not obeyed.

**Note:** Used to give more information that is necessary in a given situation.

### General safety instructions



**WARNING:** This product can cut off hands and feet and throw objects. Serious injury or death may occur if you do not obey the safety instructions.



**WARNING:** Do not continue to use a product with damaged cutting equipment. Damaged cutting equipment can throw objects and cause serious injury or death. Replace damaged blades immediately.



**WARNING:** This product produces an electromagnetic field during operation. This field may under some circumstances interfere with active or passive medical implants. To reduce the risk of serious or fatal injury we recommend persons with medical implants to consult their physician and the medical implant manufacturer before operating this product.

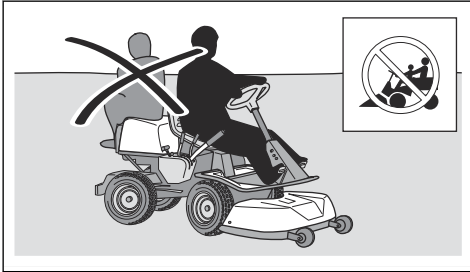


**WARNING:** Read the warning instructions that follow before you use the product.

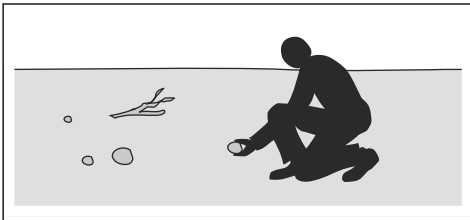
- Always be careful and use your common sense. Avoid all situations which you consider to be beyond your capability. If you feel uncertainty about the

operating procedures after you read the operator's manual, consult an expert before you continue.

- Read and understand the operator's manual and the instructions on the product carefully before you start the product.
- Learn how to use the product and its controls safely and learn how to stop the product quickly.
- Learn to recognize the safety decals.
- Keep the product clean to make sure that you can clearly read signs and stickers.
- Keep in mind that the operator will be held responsible for accidents that involve other persons or their property.
- Do not transport passengers. The product must only be used by one person.



- Do not let the product stay unsupervised with the engine on. Always stop the blades, apply the parking brake, stop the engine and remove the ignition key before you let the product stay unsupervised.
- Only use the product in daylight or in other well-lit conditions. Keep the product at a safe distance from holes or other irregularities in the ground. Look out for other possible risks.
- Do not use the product in bad weather, for example in fog, in rain, moist or in wet locations, strong winds, intense cold, risk of lightning, etc.
- Find and mark stones and other fixed objects to prevent collision.
- Clear the area of objects such as stones, toys, wires, etc. that may become caught in the blades and be thrown out.



- Do not let children or other persons not approved for operation of the product to use or do servicing on it. Local laws may regulate the age of the user.

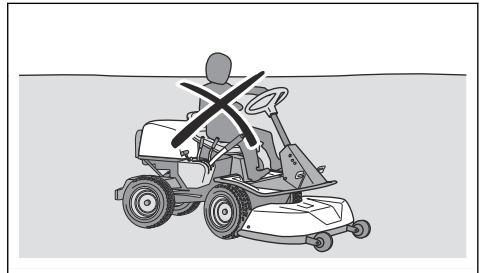
- Make sure that nobody else is in the vicinity of the product when you start the engine, engage the drive or start to move the product.
- Keep an eye on the traffic when you mow near a road or move across a road.
- Do not use the product if you are fatigued, while under the influence of alcohol or drugs, medicine or anything that can have a negative effect on your vision, alertness, coordination or judgement.
- Always park the product on a level surface with the engine stopped.

## Safety instructions regarding children



**WARNING:** Read the warning instructions that follow before you use the product.

- Serious accidents can occur if you are not on your guard for children in the vicinity of the product. Children can be attracted to the product and to mowing. It is very possible that children do not stay where you last saw them.
- Keep children away from the area to be mowed. Make sure that an adult is responsible for the children.
- Keep an eye out and stop the product if children enter the work area. Be very careful near corners, bushes, trees or other objects that prevents a clear view.
- Before and while you move the product in reverse, look behind you and look down to make sure there are no small children in the vicinity of the product.
- Do not let children ride along. They can fall off and get seriously injured or prevent safe maneuvering of the product.
- Do not let children operate the product.



## Safety instructions for operation



**WARNING:** Read the warning instructions that follow before you use the product.



**WARNING:** The engine and the exhaust system become very hot during operation. Risk of burn injuries, fire and serious



damage to property or adjacent areas. Do not touch the engine or exhaust system during or directly after operation. When you mow, keep away from bushes and other objects.

- Do not move the product with the collector tilted. This can damage the collector and increase the risk that the product overturns.
- Always look down and back before and while you move in reverse. Keep a look out for large and small obstacles.
- Decrease the speed before you turn a corner.
- Move around fixed objects carefully, make sure that the blades do not hit. Do not mow across objects.
- Stop the blades when you do not mow.



**CAUTION:** Read the caution instructions that follow before you use the product.

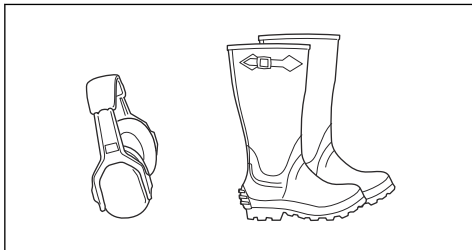
- Before you operate the product, clear the engine cooling air intake from grass, dirt, etc. If the engine can not become cool there is a risk of serious engine damage.
- Stop and examine the product and cutting deck if you mow across or into anything. If necessary, make repairs before you restart.

## Personal protective equipment



**WARNING:** Read the warning instructions that follow before you use the product.

- Use approved personal protective equipment when you use the product. Personal protective equipment cannot fully prevent injury but it decreases the degree of injury if an accident does occur. Let your dealer help you select the right equipment.
- Always wear approved hearing protection. Long term exposure to noise can result in permanent hearing impairment.
- Always wear protective shoes or protective boots. Steel toes are recommended. Do not use the product barefoot.



- Wear gloves when necessary, for example when you attach, examine or clean the cutting equipment.

- Do not wear loose-fitting clothing, jewelry or other items that can get caught in moving parts.
- Keep first aid equipment and fire extinguisher close at hand.

## Safety devices on the product



**WARNING:** Read the warning instructions that follow before you use the product.

- Do not use a product with defective safety devices. Do a check of the safety devices regularly. If the safety devices are defective, speak to your Husqvarna service agent.
- Do not make modifications on safety devices. Do not use the product if protective plates, protective covers, safety switches or other protective devices are not attached or are defective.

### To do a check of the ignition lock

- Start and stop the engine to do a check of the ignition lock. See *To start the engine on page 16* and *To stop the engine on page 18*.
- Make sure that the engine starts when you turn the ignition key to START.
- Make sure that the engine stops immediately when you turn the ignition key to STOP.

### Safety circuit

The engine can only be started when the conditions are met as follows:

- The cutting deck is lifted and the parking brake is applied.

The engine must stop in the situations that follow:

- The cutting deck is lowered and the operator lifts from the seat.
- The cutting deck is lifted, the parking brake is not applied and the operator lifts from the seat.

To do a check of the safety circuit, try to start the engine with one of the conditions above not met. Change the conditions and try again. Do this check daily.

### Sensors for the auger and the collector

Turn the ignition on but do not start the engine. Do a check of each sensor as given in the table below. Make sure that the related symbol on the auger control switch lights up.



Lower the auger servicing position lever. If the sensor functions correctly, the symbol lights up red.



Do not attach the cutting deck. If the sensor functions correctly, the symbol lights up red and a beep is heard when the ignition is turned to on.



Open the collector hatch. If the sensor functions correctly, the symbol lights up red and a beep is heard.



Push the sensor for collector full up. If the sensor functions correctly, the symbol lights up orange and a beep is heard.



Tilt the collector. If the sensor functions correctly, the symbol lights up red and a beep is heard.

### To do a check of the speed limiter

- Release the forward pedal to brake.
- For more brake power, press the reverse pedal.
- Make sure that the forward and reverse pedals are not blocked and can be operated freely.
- Make sure that the product brakes when the forward pedal is released.

### Parking brake



**WARNING:** If the parking brake does not work, the product can start to move and cause injury or damage. Make sure that the parking brake is regularly examined and adjusted.

See *To do a check of the parking brake on page 23*.

For model RC 318T the parking brake pedal is also used for more brake power when necessary, for example when you brake on a slope.

### Muffler

The muffler keeps the noise levels to a minimum and sends the exhaust fumes away from the operator.

Do not use the product if the muffler is missing or defective. A defective muffler increases the noise level and the risk of fire.

Examine the muffler regularly to make sure that it is attached correctly and not damaged.



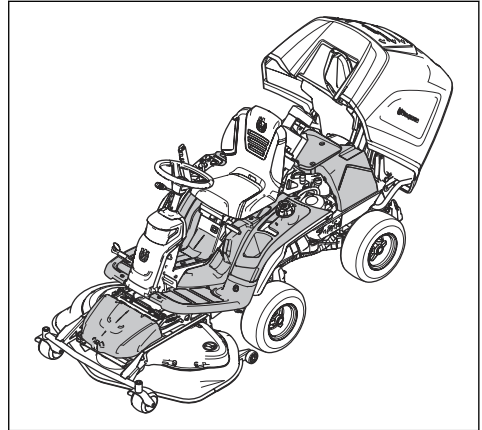
**CAUTION:** The muffler becomes very hot during and after use and when the engine operates at idle speed. Be careful near flammable materials and/or fumes to prevent fire.

### Protective covers



**WARNING:** Missing or damaged protective covers increases the risk of injury on moving parts and hot surfaces. Before you operate the product, make sure that the protective covers are correctly attached and do not

have cracks or other damages. Replace damaged covers.

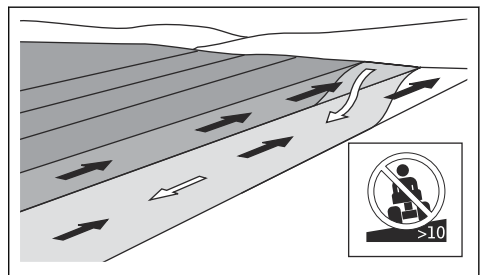


### To mow on slopes



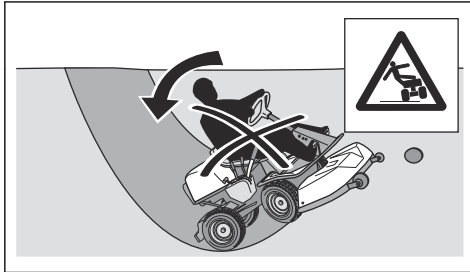
**WARNING:** Read the warning instructions that follow before you use the product.

- To mow on slopes increases the risk that you can not control the product and that the product overturns. This can cause injury or death. It is necessary to mow carefully on all slopes. If you cannot reverse up a slope or if you do not feel safe, do not mow it.
- Remove obstacles such as stones and branches.
- Mow up and down the slope, not from side to side.
- Do not move down a slope with the cutting deck lifted.
- Do not operate the product on ground that slopes more than 10°.



- Do not start or stop on a slope.
- For model RC 318T, always use the speed brake pedal for more brake power when you operate on slopes.
- Move smoothly and slowly on slopes.
- Do not make sudden changes in speed or direction.

- Do not turn more than necessary. Turn slowly and gradually when you move down a slope. Move at low speed. Turn the wheel carefully.
- Look out for and do not move across furrows, holes and bumps. There is a higher risk that the product overturns on ground that is not flat. Tall grass can hide obstacles.
- Do not mow near edges, ditches or banks. The product can suddenly overturn if a wheel moves over the edge of a steep slope or a ditch, or if an edge gives way. If the product falls into water there is a risk of drowning.



- Do not mow wet grass. It is slippery, and tires can lose their grip so that the product skids.
- Do not put your foot on the ground to try to make the product more stable.
- Move very carefully if anything is attached that can make the product less stable.

## Fuel safety



**WARNING:** Be careful with fuel. It is very flammable, and can cause injury and damage to property.



**WARNING:** Read the warning instructions that follow before you use the product.

- Do not fill the fuel tank indoors.
- Gasoline and gasoline fumes are poisonous and very flammable. Be careful with gasoline to prevent injury or fire.
- Do not remove the fuel tank cap or fill the fuel tank when the engine is on.
- Let the engine become cool before you refuel.
- Do not smoke when you fill fuel.
- Do not fill fuel near sparks or naked flames.
- If there are leaks in the fuel system, do not start the engine until the leaks are repaired.
- Do not fill above recommended fuel level. The heat from the engine and the sun makes the fuel expand and the fuel overflows if the tank is filled too much.
- Do not fill too much. If you spill fuel on the product, clean up the spill and wait until it is dry before you

start the engine. If you spill on your clothing, change it.

- Store fuel in approved containers only.
- Store the product and fuel in such a way that there is no risk that fuel leaks or fumes can cause damage.
- Drain off the fuel in an approved container outdoors and away from naked flames.

## Battery safety



**WARNING:** A damaged battery can explode and cause injury. If the battery has a deformation or is damaged, speak to an authorized Husqvarna service agent.



**WARNING:** Read the warning instructions that follow before you use the product.

- Wear protective glasses when you are near batteries.
- Do not wear watches, jewellery or other metal objects near the battery.
- Keep the battery out of reach for children.
- Charge the battery in a room with good airflow.
- Keep flammable materials at a minimum clearance of 1 m when you charge the battery.
- Discard replaced batteries. See *Disposal on page 33*.



**CAUTION:** Read the caution instructions that follow before you use the product.

- Charge only with the charger specified by the manufacturer. Other chargers can do damage to the electrical system and the battery.
- Do not tighten the battery terminals more than the specified torque, max. 4 Nm.

## Safety instructions for maintenance



**WARNING:** The product is heavy and can cause injury or damage to property or the adjacent area. Do not do maintenance on the engine or the cutting deck without these conditions:

- The engine is off.
- The product is parked on a level surface.
- The parking brake is applied.
- The ignition key is removed.
- The cutting deck is disengaged.
- The ignition cables are removed from the plugs.



**WARNING:** The exhaust fumes from the engine contain carbon monoxide, an odourless, poisonous and very dangerous gas. Do not run the product in closed spaces or spaces with not sufficient air flow.

- The blades are sharp and can cause cuts. Wind protection around the blades or use protective gloves when you do work on the blades.
- Always put the cutting deck in servicing position to clean it. Do not park the product near the edge of a ditch or slope to get access to the cutting deck.



**WARNING:** Read the warning instructions that follow before you use the product.



**CAUTION:** Read the caution instructions that follow before you use the product.

- For best performance and safety, do maintenance on the product regularly as given in the maintenance schedule. See *Maintenance schedule on page 19*.
- Electrical shocks can cause injuries. Do not touch the cables when the engine is on. Do not do a function test on the ignition system with your fingers.
- Do not start the engine if the protective covers are removed. There is a high risk of injury caused by moving or hot parts.
- Let the product become cool before you do maintenance near the engine.
- Do not turn over the engine if the spark plug or ignition cable is removed.
- Make sure that all nuts and bolts are tightened correctly and that the equipment is in good condition.
- Do not change the adjustment of governors. If the engine speed is too high, the product components can become damaged. See *Technical data on page 34* for highest permitted engine speed.
- The product is approved only with the equipment supplied or recommended by the manufacturer.

## Assembly

### Introduction

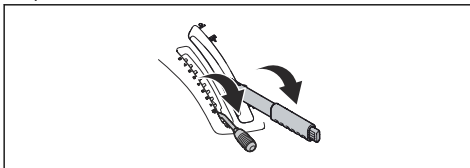


**WARNING:** The drive belt tension spring can break and cause injury. Wear protective glasses when you attach or remove the cutting deck.

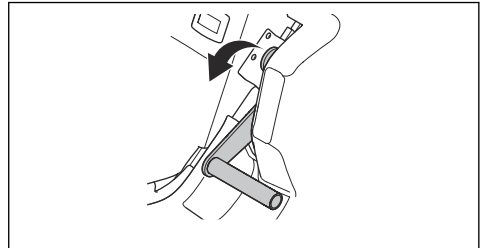
Read the assembly instructions in the owner's manual carefully. A label on the inner side of the front cover on the product, also shows how to attach and remove the cutting deck.

### To attach the cutting deck

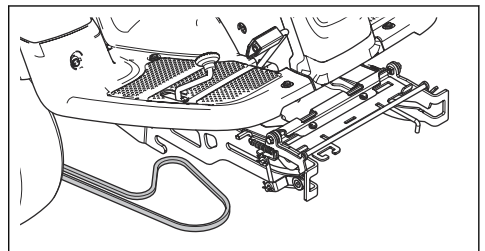
1. Place the product on level ground.
2. Apply the parking brake.
3. Set the cutting height lever in the servicing position.
4. Set the lift lever for the cutting deck in mowing position.



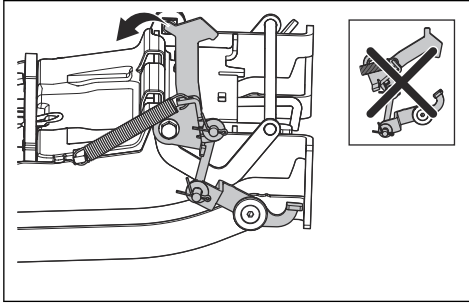
5. Lower the auger servicing position lever to lift the auger to servicing position.



6. Put the drive belt as illustrated to make sure that it does not get pinched when the cutting deck is attached.

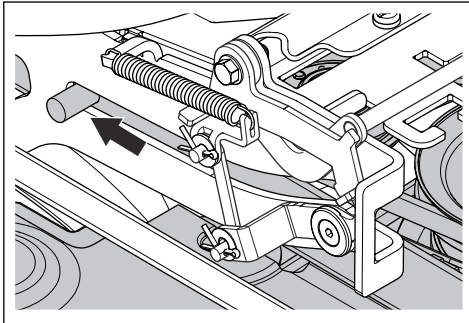


7. Push the equipment frame down. Lift the service lock to vertical position.

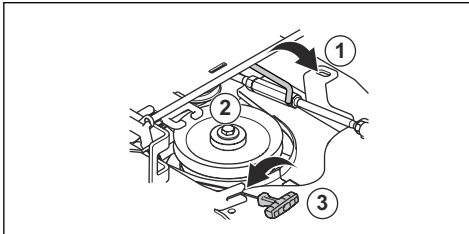


**WARNING:** The lock mechanism can cause injury to fingers if you do not operate it carefully. Put the service lock in full vertical position and hold the front edge of the cutting deck with two hands when you continue to the next step.

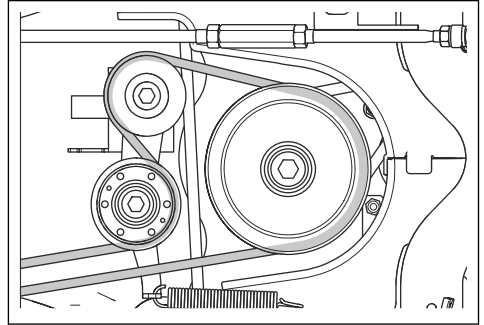
8. Lift the front edge of the cutting deck and move it into the equipment frame. The plugs on the cutting deck, one on each side, must be put in the grooves on the equipment frame. The service lock releases automatically.



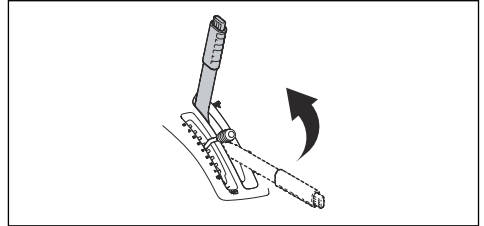
9. Lift the cutting height stay from the stay holder and put it in the hole for the cutting height stay (1).



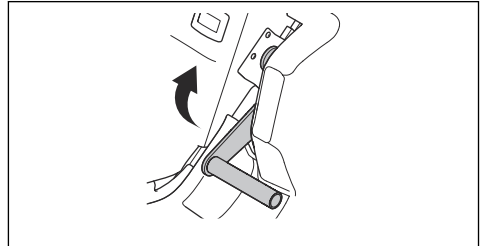
10. Put the drive belt around the tension wheel (2). Make sure the drive belt runs as illustrated below.



11. Put the spring in the spring holder (3).
12. Set the lift lever for the cutting deck in locked position. The cutting deck lifts.



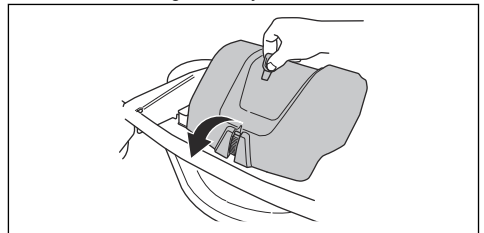
13. Pull the auger servicing position lever to up position.



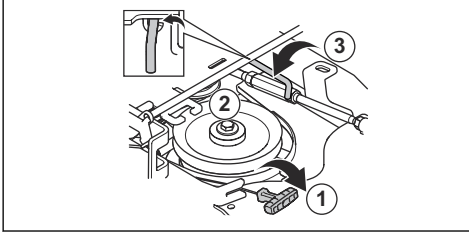
14. Attach the front cover.

## To remove the cutting deck

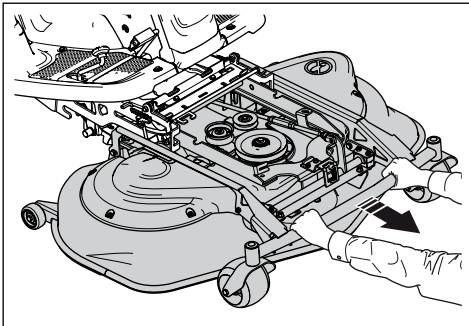
1. Do steps 1–5 in *To attach the cutting deck on page 12*.
2. Release the clip on the front cover with the tool attached to the ignition key, and lift off the cover.



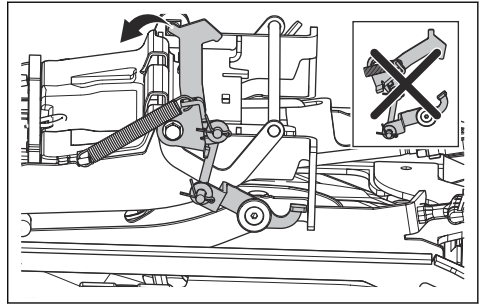
- Pull the spring handle to the right out from the spring holder to loosen the tension on the tension wheel for the drive belt. (1)
- Hold the spring handle with your left hand and lift off the drive belt with your right hand.
- Pull the drive belt to the rear below the product. Do not put it in the belt holder (2).
- Put the spring handle in the spring holder to prevent that the spring falls down.
- Lift the cutting height stay and put it in the holder for the cutting height stay (3).



- Hold the front edge of the cutting deck with two hands and pull forward until it stops.



- Lift the service lock to vertical position.



**WARNING:** The lock mechanism can cause injury to fingers if you do not operate it carefully. Put the service lock in full vertical position and hold the front edge of the cutting deck with two hands when you continue to the next step.

- Lift the front edge of the cutting deck until the service lock touches the frame and pull the cutting deck out.

## Operation

### Introduction



**WARNING:** Before you operate the product, you must read and understand the safety chapter.

### To fill fuel



**WARNING:** Gasoline is very flammable. Be careful and refuel outdoors (see *Fuel safety on page 11*).



**WARNING:** Do not use the fuel tank as a support area.



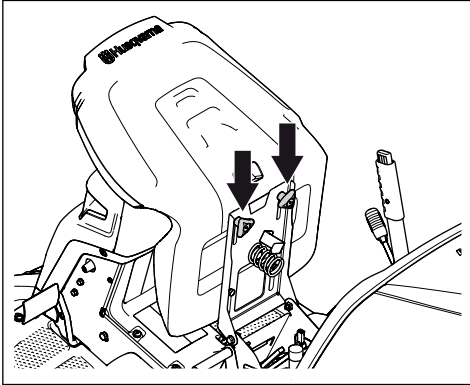
**CAUTION:** Incorrect type of fuel can result in engine damage.

The engine runs on gasoline with a minimum octane rating of 91 RON (87 AKI), not mixed with oil. We recommend biodegradable alkylate gasoline. Do not use gasoline that contains more than 10% ethanol.

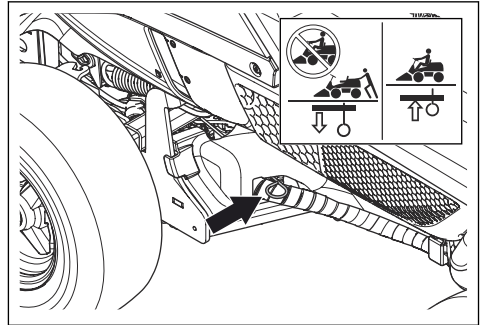
- Do a check of the fuel level before each use and refuel if necessary.
- Do not fully fill the fuel tank. Keep a space of a minimum 2.5 cm.

## To adjust the seat

The seat can be tilted forward. It can also be adjusted lengthways. Loosen the handles below the seat to adjust it forward or rearward.

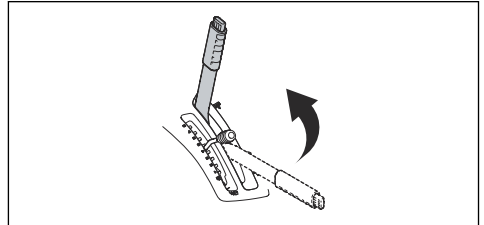


The drive system lever for the front axle for RC 320Ts AWD is found behind the left front wheel.

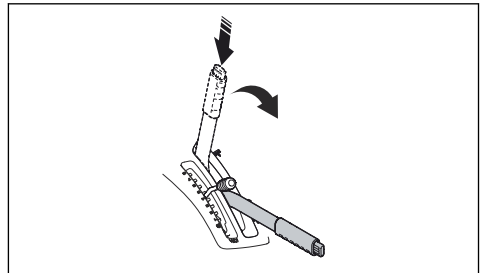


## To lift and lower the cutting deck

To lift the cutting deck to transport position, pull the lift lever rearward. If the engine is on, the blades stop to rotate automatically.



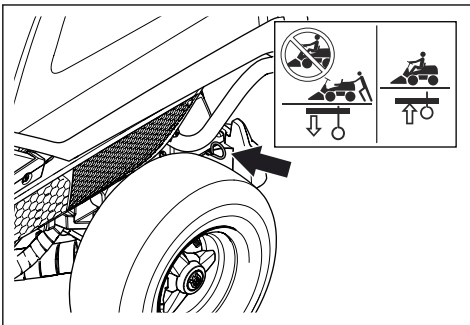
To lower the cutting deck to mowing position, press the lock button and move the lift lever forward. If the engine is running, the blades start to rotate automatically.



## To engage and disengage the drive system

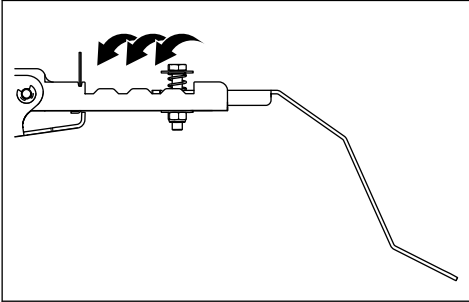
To move the product with the engine off, the drive system must be disengaged. Pull out the drive system lever fully to disengage the drive on the axle. Push the drive system lever in fully to engage the drive on the axle. Do not use middle positions.

The drive system lever for model RC 318T is found behind the left rear wheel. Model RC 320Ts AWD has one drive system lever for the front and one for the rear axle. The drive system lever for the rear axle is found behind the left rear wheel.



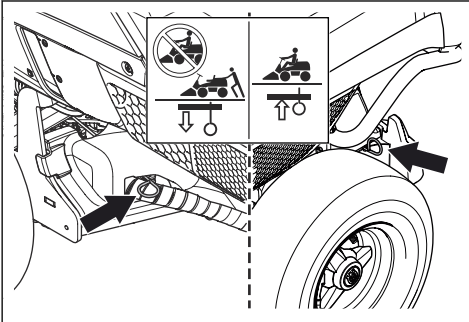
## To adjust the sensor for collector full

If the hatch opens or the auger stops before the collector is full, it is necessary to adjust the sensor for collector full. There are 4 positions for the sensor for collector full.

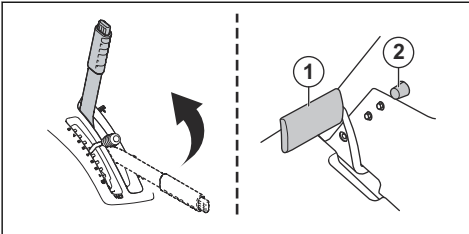


## To start the engine

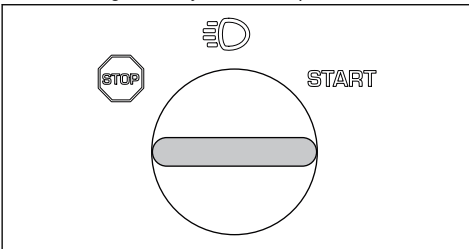
1. Make sure that the drive system is engaged, see *To engage and disengage the drive system on page 15*.



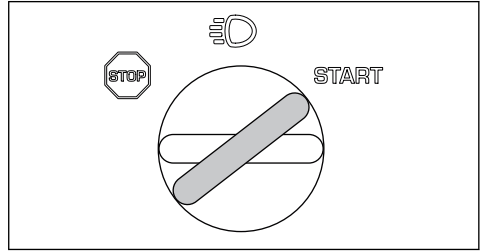
2. Lift up the cutting deck and apply the parking brake.



3. Turn the ignition key to the start position.

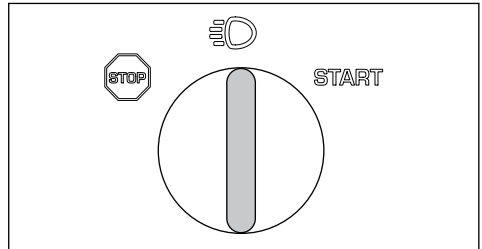


4. When the engine starts, immediately release the ignition key to neutral position.

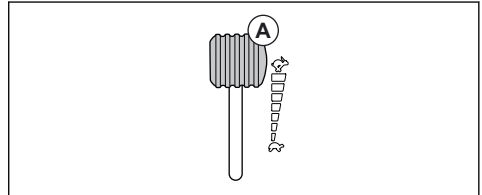


**Note:** Do not run the starter for more than 5 seconds at a time. If the engine does not start, wait 15 seconds before you try again.

5. Turn the key to the lights position to make the headlights come on.



6. Push the throttle control to full throttle position (A).

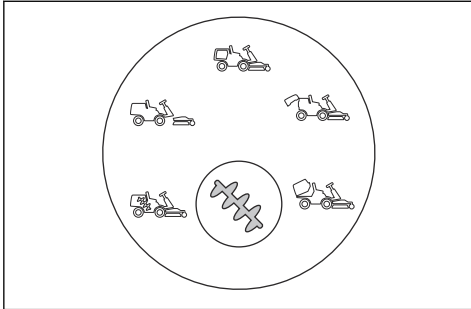


## To use the product in collect mode

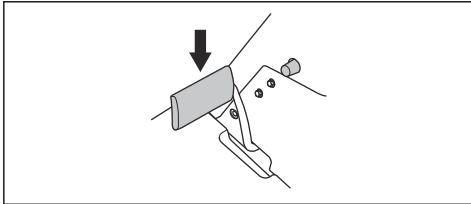
1. Start the engine.



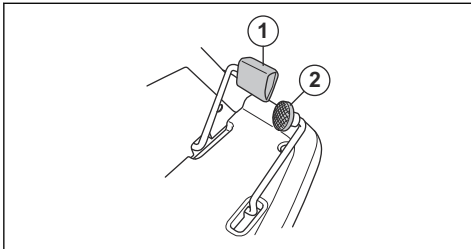
2. Make sure that the symbol on the auger control button is green. This shows that the product is in collect mode. See *Auger control switch with LED indicators on page 5* for information on what to do if the symbols on the auger control switch lights up or the auger control button is red.



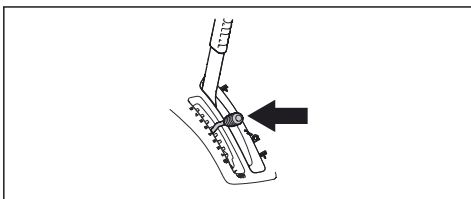
3. Press the parking brake pedal down and then release it to release the parking brake.



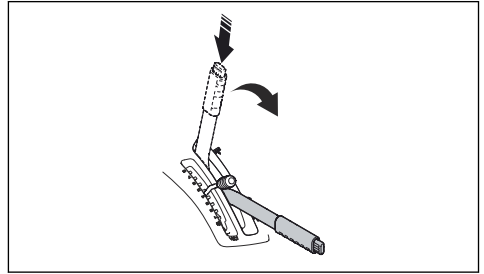
4. Carefully press down one of the speed pedals. The speed increases the more the pedal is pressed down. Use pedal (1) to move forward, and pedal (2) to reverse.



5. Release the pedal to brake. On model RC 318T, you can use the speed brake/parking brake pedal to get more braking power. This can be necessary for example when you brake on a slope.
6. Select cutting height (1–8) with the cutting height lever.



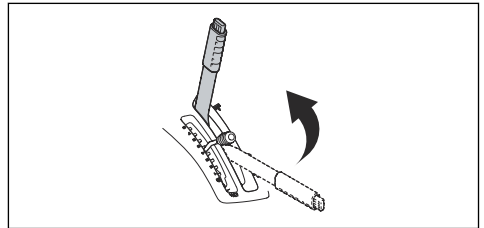
7. Press the lock button on the lift lever for the cutting deck and lower it to mowing position.



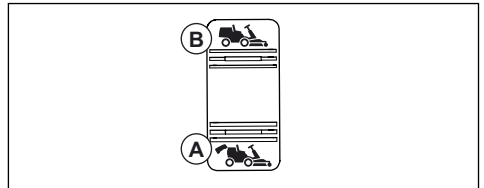
8. When the collector is full, a symbol (see *Auger control switch with LED indicators on page 5*) lights up in orange on the auger control switch and a beep is heard.

**Note:** The beep that sounds when the collector is full can be blocked out by the hearing protection. Look at the auger control switch regularly to not miss when the collector is full.

9. Set the lift lever for the cutting deck in locked position. The cutting deck lifts and the blades stop to rotate.



10. To empty the collector, press the rear part of the switch used to tilt the collector. The collector lifts. Hold the switch pressed until the hatch opens and the grass falls out.



11. Press the front part of the switch to lower the collector to operating position.

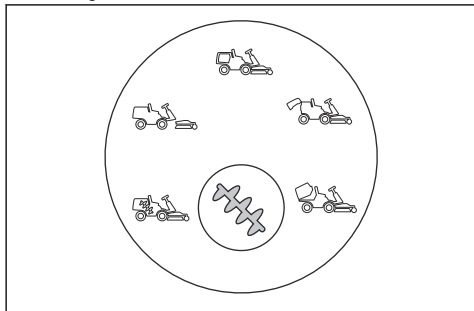
**Note:** If the collector is fully tilted or lowered and you continue to press the switch, a clattering sound is heard. This shows that the collector is at the end positions.



**WARNING:** Fingers can get crushed between the collector and the frame. Do not put your hand on the frame or the collector when the collector is lowered.

## To use the product in non-collect mode

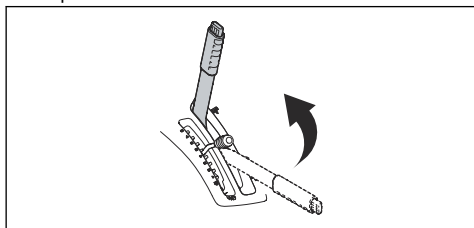
1. Start the engine.
2. Make sure that the symbol on the auger control button is blue. This shows that the product is in non-collect mode. See *Auger control switch with LED indicators on page 5* for information on what to do if the symbols on the auger control switch lights up or the auger control button is red.



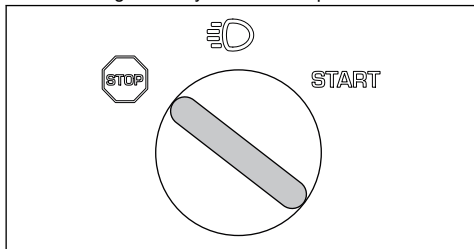
3. Do steps 4–8 in *To use the product in collect mode on page 16*.
4. When you start to mow, the grass is not collected.

## To stop the engine

1. Pull the lift lever for the cutting deck rearward to its locked position to lift up the cutting deck. The blades stop to rotate.



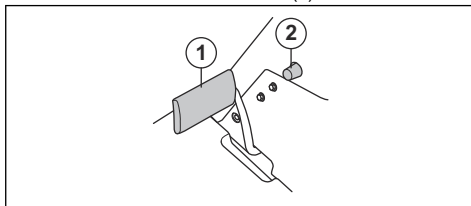
2. Turn the ignition key to the STOP position.



3. When the product stops, apply the parking brake.

## To apply and release the parking brake

1. Press the parking brake pedal down (1).
2. Press and hold the lock button (2).



3. Keep the button pressed and release the parking brake pedal.
4. To release the parking brake, press the parking brake pedal again.

## To get a good mowing result

- Do not mow a wet lawn. Wet grass gives inferior results.
- Start with a high cutting height and lower it gradually.
- Mow with blades that rotate at high speed (highest permitted engine speed, see *Technical data on page 34*). Move the product forward at low speed. If the grass is not too high and thick, you can get a good mowing result also at a higher speed.
- We recommend to use the product in collect mode. To get the best mowing result in non-collect mode, cut the grass frequently. To cut the grass frequently does not take more time. The grass is shorter and you can mow at a higher speed.
- The product can also be used to collect leaves on the lawn. Set a high cutting height and set the product in collect mode.

# Maintenance

## Introduction



**WARNING:** Before you do any maintenance work you must read and understand the safety chapter.

X = The instructions are given in this operator's manual.

O = The instructions are not given in this operator's manual. Let an authorized service agent do the maintenance.

**Note:** If more than one time interval is marked in the table, the shortest time interval is for the first maintenance only.

## Maintenance schedule

\* = General maintenance done by the operator. The instructions are not given in this operator's manual.

Maintenance	Daily maintenance before operation	Maintenance interval in hours			
		25	50	100	200
Make sure that nuts and screws are tightened	*				
Make sure that there are no fuel or oil leaks	*				
Clean as given in <i>To clean the product on page 20</i>	X				
Clean under the cutting deck	X				
Clean around the muffler	X				
Make sure that the engine cooling air intake is not blocked	X				
Make sure that the hydraulic oil cooler is not blocked, RC 320Ts AWD model only	X				
Make sure that the safety devices are not defective	X				
Examine and test the brakes	*				
Make sure that the sensor for collector full works correctly	X				
Do a check of the engine oil level	X				
Do a check of the oil level in the transmission	X				
Do a check of the steering wires	X				
Examine the blades in the cutting deck		X			
Clean the cutting deck, under the belt covers and under the cutting deck			X		
Examine the headlights		X	X		
Make sure that the tire pressure is correct		X	X		
Do a check of the parking brake			X		
Change the engine oil			X	X	
Change the oil filter			X	X	
Clean the air filter		X			
Change the air filter				X	
Change the fuel filter				X	
Clean around the sensor for collector full				X	

Maintenance	Daily maintenance before operation	Maintenance interval in hours			
		25	50	100	200
Do a check of the parallelism of the cutting deck		X	X		
Lubricate the belt adjuster.		X	X		
Examine and adjust the steering wires		O	O		
Examine the muffler and heat deflector			O		
Examine the cutting deck for damages			O		
Change the spark plug				O	
Adjust the parking brake.			O		
Do a check of and adjust the throttle wire			O		
Clean the cooling fins on the engine and the transmission			O		
Clean the engine and the transmission			O		
Do a check of/adjust front and rear wheel rotation speed, RC 320Ts AWD model only		O		O	
Do a check of the belts		O	O		
Do a check of the battery			O		
Do a check of the fuel hose. Replace it if necessary				O	
Change the oil in the transmission			O		O
Change filter in the transmission, RC 320Ts AWD model only			O		O
Change the spin-on filter, servo, RC 320Ts AWD model only			O		O

## To clean the product

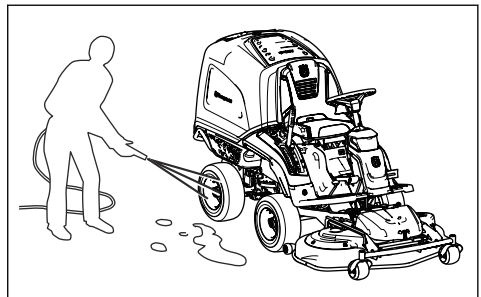


**CAUTION:** Do not use a high pressure washer or a steam cleaner. Water can go into bearings and electrical connections and cause corrosion which cause damage to the product.

Clean the product directly after use.

- Before you stop the engine, let the auger run empty for 10 seconds to clear it from remaining grass.
- Do not clean hot surfaces such as the engine, muffler and exhaust system. Wait until the surfaces are cool, then remove the grass or dirt.
- Before you clean with water, use a brush to remove grass cuttings and dirt from on and around the transmission, the transmission air intake, and the engine.
- Use running water to clean the product. Do not use a high pressure.
- Do not point the jet at electrical components or bearings. Cleaning additives usually increase the damage.

- To clean the cutting deck, put it in the servicing position and hose it down with water.
- Hose down the inner surface of the collector with water.
- Clean the auger in- and outlets.
- When the product is clean, start the product for a short period to blow off remaining water.



### To clean the engine and the muffler

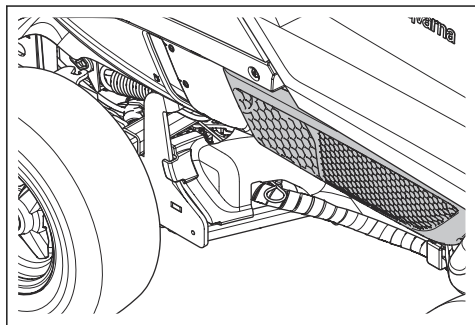
Keep the engine and muffler free from grass cuttings and dirt. Grass cuttings soaked in fuel or oil on the

engine can increase the fire risk and the risk that the engine becomes too hot. Let the engine cool before it is cleaned. Clean with water and a brush.

Grass cuttings around the muffler dry quickly and are a fire risk. Use a brush or remove the grass cuttings with water when the muffler is cold.

### To clean the engine cooling air intake

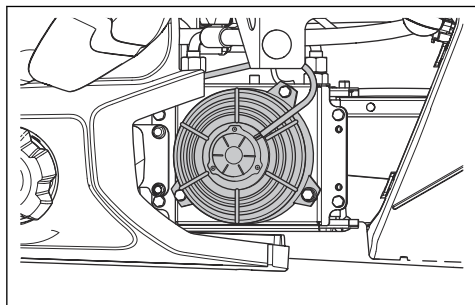
Make sure that the engine cooling air intake is not blocked. Remove grass and dirt with a brush.



### To clean the hydraulic oil cooler

Only for RC 320Ts AWD.

Make sure that the hydraulic oil cooling fan is not blocked and that the area around the hydraulic oil cooler is clean. Remove grass and dirt with a brush.

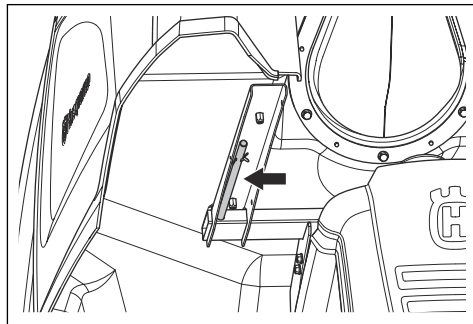


### To remove blockage from the auger

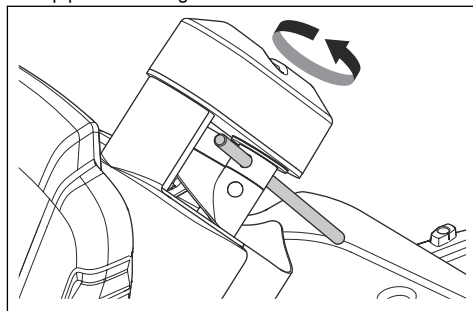
If the symbol on the auger button is red and the product beeps continuously, the auger is blocked. The blockage must be manually removed.

1. Tilt the collector.

2. Pull the auger maintenance tool loose from the bottom of the collector.



3. Put the auger maintenance tool into the hole at the top part of the auger.



4. Hold the auger maintenance tool and turn the auger counterclockwise 5 full turns. The cause of the blockage is sent down and out of the auger.

5. Pull the auger maintenance tool out and put it back into the holder on the bottom of the collector.

6. Lower the collector to operating position and start the engine.

7. If the symbol on the auger button is red and the product beeps when the engine starts, stop the engine.

8. Put the cutting deck in servicing position and manually remove blockage from the auger inlet.

9. Put the cutting deck in mowing position and start the engine.

10. If the symbol on the auger button is red and the product beeps when the engine starts, stop the engine.

11. Let an authorized service agent help you.

---

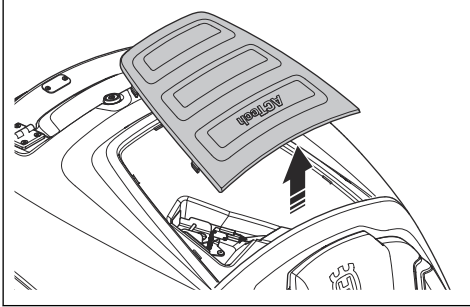
**Note:** When the blockage is removed, the product starts in non-collect mode and you must select collect mode again.

---

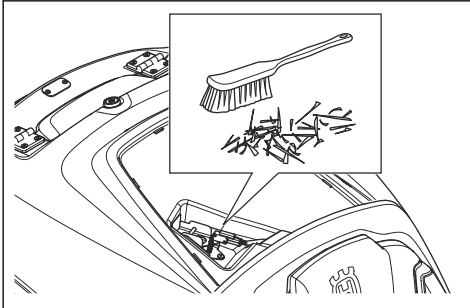
## To clean around the sensor for collector full

After many hours of operation, grass can collect around the sensor for collector full. If the auger control switch does not identify when the collector is full, it is necessary to clean around the sensor.

1. Open the collector hatch.
2. Loosen the cover clips on the inner top surface of the collector.
3. Remove the cover on top of the collector.



4. Remove grass from around the sensor for collector full with your hand or a brush.



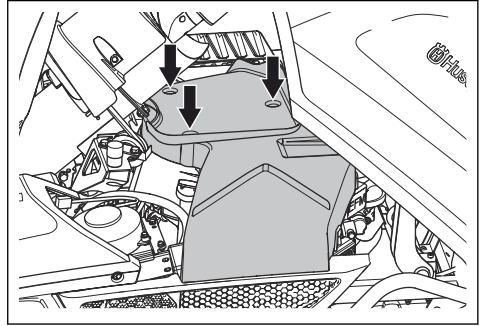
5. Put the cover back. First put in the front end of the cover and then push the cover down until it clicks into position.

**Note:** Speak to a service agent if the problem continues also when the sensor for collector full is clean.

## To remove the covers

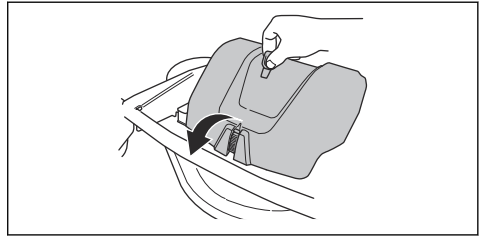
### Engine cover

Tilt the collector to access the engine cover, remove the 3 screws and lift off the cover.



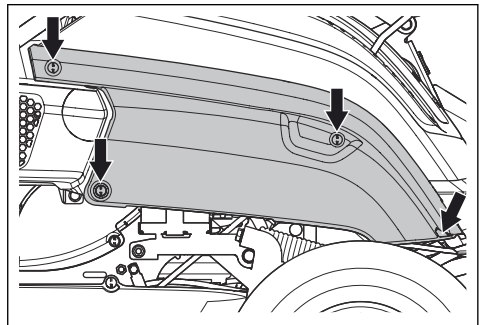
### Front cover

Release the clip on the front cover with the tool attached to the ignition key, and lift off the cover.



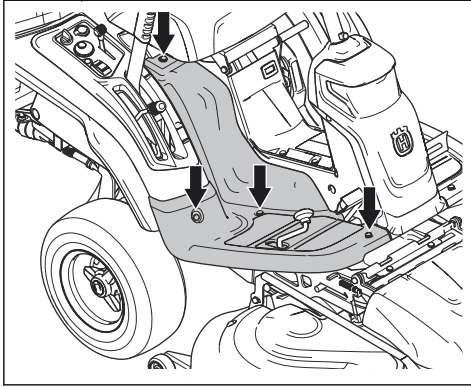
### Side cover

Remove the 4 screws and lift off the cover.



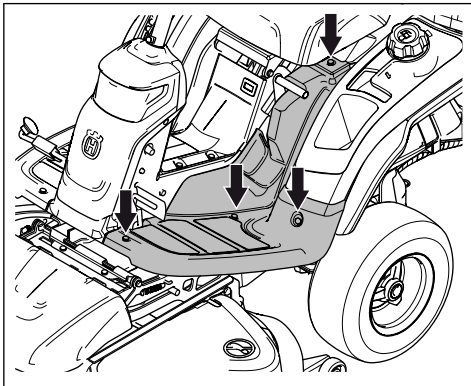
## Right footrest plate

Turn the knob on the reverse pedal to remove it.  
Remove the 4 screws and remove the footrest plate.



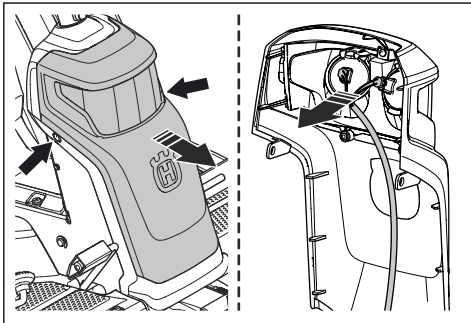
## Left footrest plate

Remove the 4 screws and remove the footrest plate.



## To replace a broken lamp

1. Remove the 2 screws on the cover and lift it off.



2. Disconnect the cables from the broken lamp.

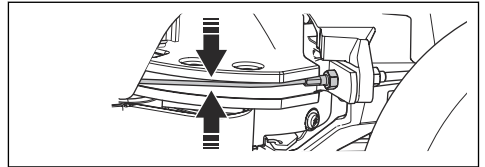
3. Replace the lamp and connect the cables to the new lamp. Use the type of lamp as given in *Technical data on page 34*.
4. Attach the cover and tighten the screws.

## To examine the steering wires

The tension of the steering wires can decrease after a period of time. This causes the adjustment of the steering to change.

Examine and adjust the steering as follows:

1. The steering wires are correctly tightened if you can manually move them 5 mm up or down in the groove on the steering collar.



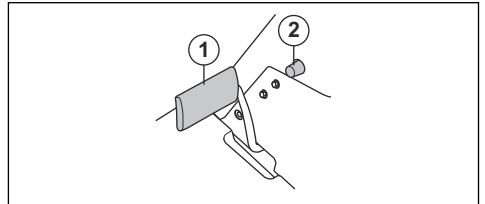
2. If the wires are too loose, let an authorized service agent adjust them.

## To do a check of the parking brake

1. Park the product on a hard surface that slopes.

**Note:** Do not park the product on a grass slope when you do a check of the parking brake.

2. Press the parking brake pedal down (1).
3. Press and hold the lock button (2) and release the parking brake pedal while the button is pressed.

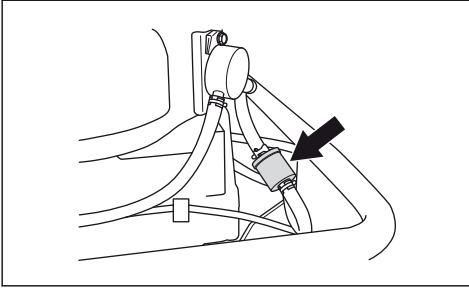


4. If the product starts to move, let an approved service agent adjust the parking brake.
5. Press the parking brake pedal again to release the parking brake.

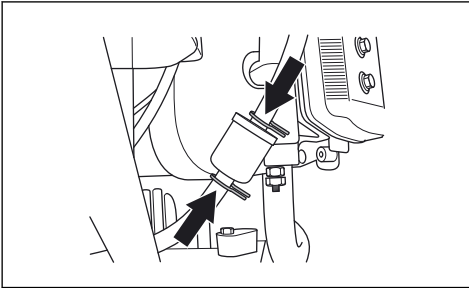
## To replace the fuel filter

1. Tilt the collector to access the fuel filter.
2. Use a pair of flat pliers to move the hose clips away from the filter.

3. Pull off the filter from the hose ends.

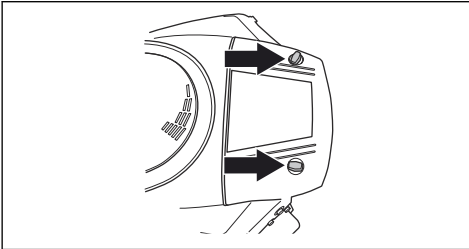


4. Press the new filter into the ends of the hoses. Apply liquid detergent to the ends of the filter to make the connection easier.
5. Push the hose clips against the filter.

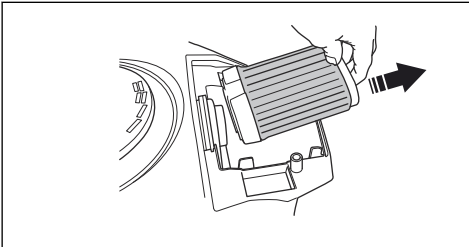


### To clean and change the air filter

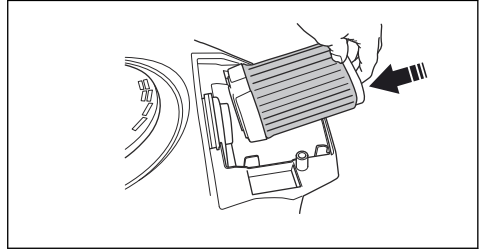
1. Open the engine cover.
2. Loosen the knobs that hold the filter cover and lift off the cover.



3. Lift the end of the air filter to remove it.



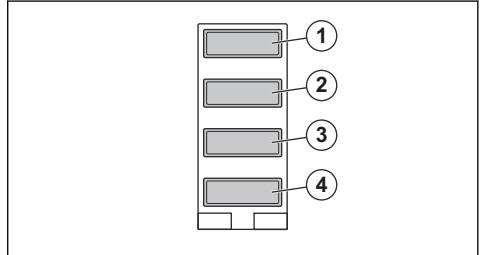
4. Hit the paper filter against a hard surface to clean it. Do not use compressed air.
5. If the paper filter does not become clean, replace it.
6. Put the air filter back on the air hose.



7. Push the air filter into correct position.
8. Attach the air filter cover and tighten the knobs.

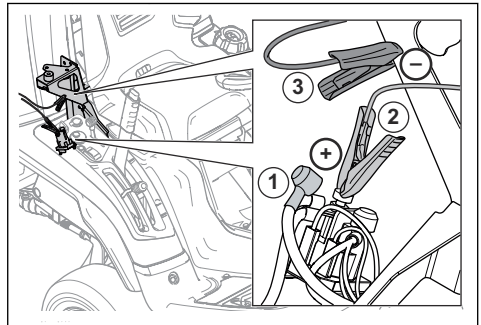
### To replace a fuse

1. Remove the right side cover, see *Side cover on page 22*.
2. Replace the blown fuse with a new one. Refer to the illustration. (1) Ignition, 15A. (2) Auger control, 7.5A. (3) Actuator, 30A. (4) Power outlet 12V, 7.5A.



### To charge the battery

1. Tilt the seat forward.
2. Remove the rubber cap (1) from the solenoid that is connected to the red cable from the battery.
3. Connect the red cable (+) from the battery charger to the solenoid (2).







**CAUTION:** To prevent short circuit, make sure that the red cable from the battery charger is connected to the correct solenoid.

4. Connect the black cable (-) from the battery charger to a zinked metal part as shown in the illustration (3).



**WARNING:** The battery and electrical system can become damaged and cause injuries if incorrect type of charger is used. Use only the charger specified by Husqvarna for this type of battery (LiFePO<sub>4</sub>).

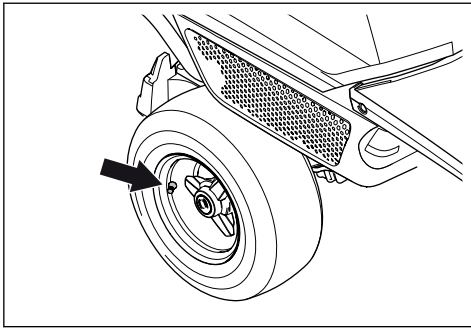
5. Start the battery charger.

**Note:** If the battery voltage is too low the battery goes into protective mode. The battery charger can not sense the battery and does not charge. If this occurs, press and hold the reset button on the battery charger for 10 seconds until it starts to charge. Read more in the instructions that are supplied with the battery charger.

6. When the battery is charged, stop the charger and disconnect it from the battery.
7. Put the rubber cap (1) back on the solenoid.

## To set the tire pressure

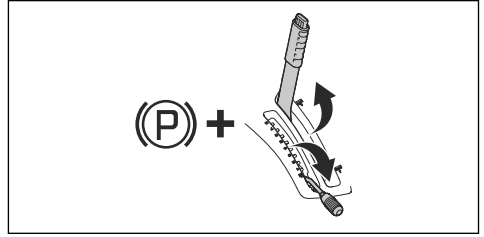
The correct tire pressure is 150 kPa (1.5 bar / 21.8 PSI) on all 4 tires.



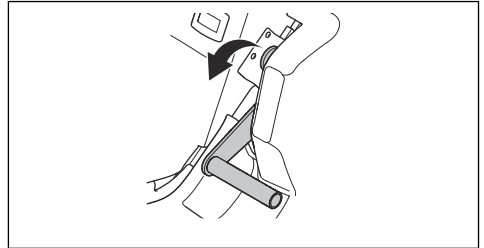
## To put the cutting deck in servicing position

1. Park the product on level ground.
2. Apply the parking brake.
3. Set the cutting height lever in the servicing position.

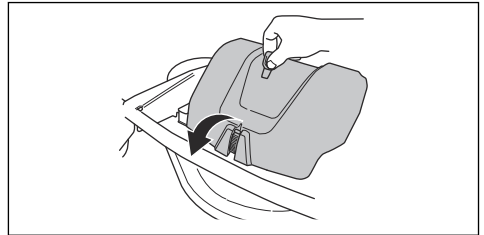
4. Pull the lift lever for the cutting deck rearward to its locked position to lift up the cutting deck.



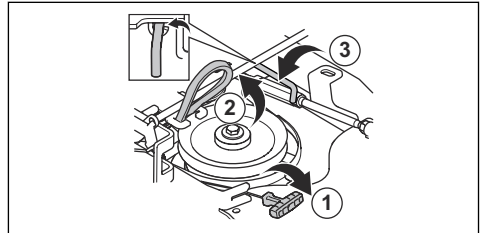
5. Lower the auger control lever to lift the auger to servicing position.



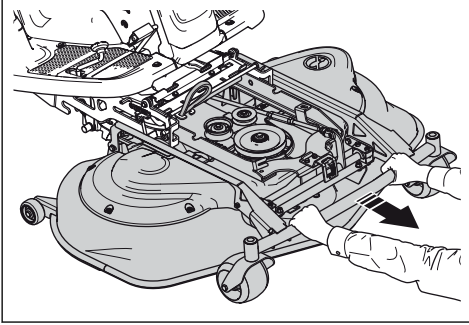
6. Release the clip on the front cover with the tool attached to the ignition key, and lift off the cover.



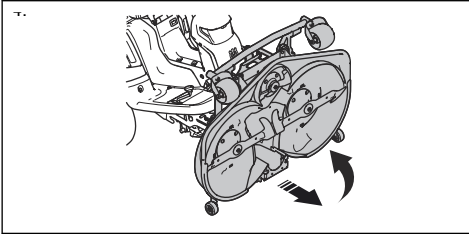
7. Pull the spring handle (1) to the right out from the spring holder to loosen the drive belt tension.
8. Hold the spring handle with your left hand and lift off the drive belt with your right hand.
9. Put the drive belt in the belt holder (2).
10. Put the spring handle in the spring holder to prevent that the spring falls down.
11. Lift the cutting height stay and put it in the stay holder. (3)



12. Hold the front edge of the cutting deck with two hands and pull forward until it stops.

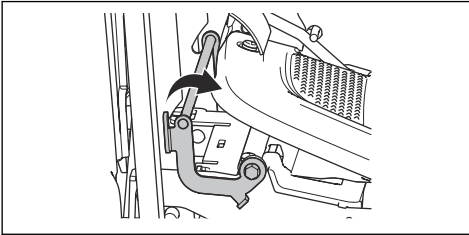


13. Lift the cutting deck to vertical position until a click sound is heard. The cutting deck is locked automatically in the vertical position.

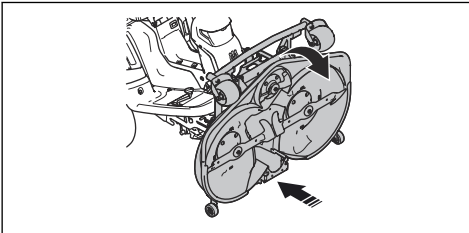


### To put the cutting deck in mow position

1. Hold the front edge of the cutting deck with your left hand.
2. Loosen the lock with your right hand.

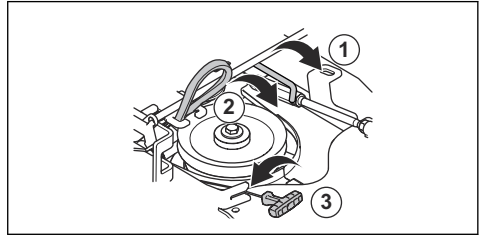


3. Fold down the cutting deck and push it in until it stops.

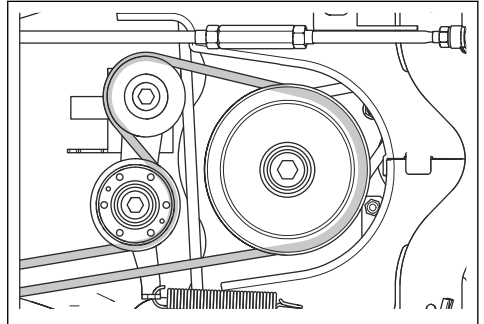


**CAUTION:** The drive belt can get caught below the cutting deck. Pull on the drive belt loop in the belt holder before you push the cutting deck in.

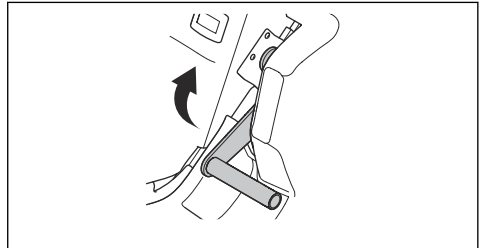
4. Lift the cutting height stay from the stay holder and put it in the hole (1).



5. Hold the spring handle and lift the drive belt out of the holder.
6. Put the drive belt around the tension wheel (2). Make sure the drive belt runs as shown in the illustration.



7. Put the spring in the spring holder (3).
8. Pull the auger servicing position lever up into operation position.

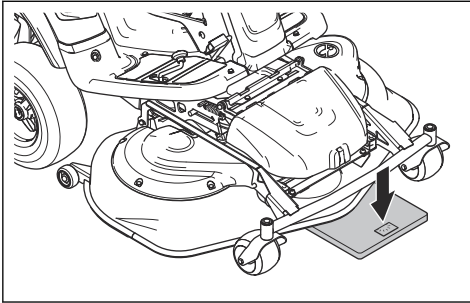


9. Attach the front cover.
10. Set the cutting height lever in one of the positions 1-8.

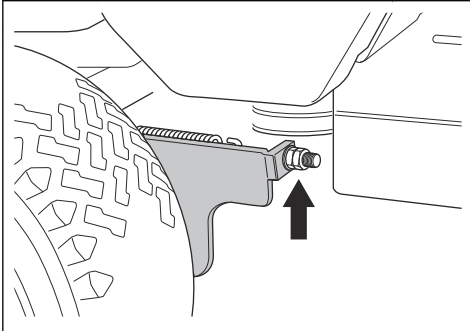
### To do a check of and adjust the cutting deck ground pressure

To get the best mowing results it is important to have correct pressure from the cutting deck on the underlying surface.

1. Make sure that the air pressure in the tires is 150 kPa (1.5 bar / 21.8 PSI).
2. Park the product on a level surface.
3. Lower the cutting deck to mowing position.
4. Put a set of bathroom scales below the front edge of the cutting deck.



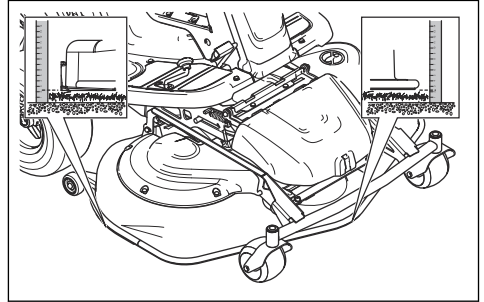
5. To make sure the support wheels do not bear weight, put a block between the frame and the scales.
6. To adjust the ground pressure, turn the adjustment screws found behind the front wheels on the right and left sides.
7. Turn the screws right or left until the ground pressure is between 12 and 15 kg (26.5-33 lb).



### To do a check of the parallelism of the cutting deck

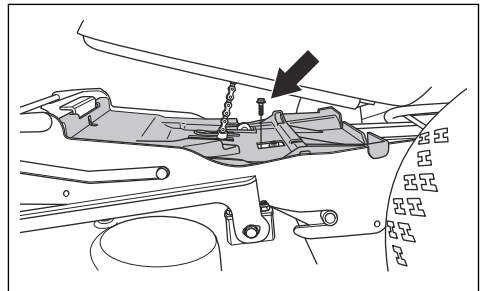
1. Make sure that the air pressure in the tires is 150 kPa (1.5 bar / 21.8 PSI).
2. Park the product on a level surface.
3. Lower the cutting deck to mowing position.

4. Measure the distance between the ground and the front and rear edges of the cutting deck and make sure that the rear edge is 4–6 mm (1/5") higher than the front edge.

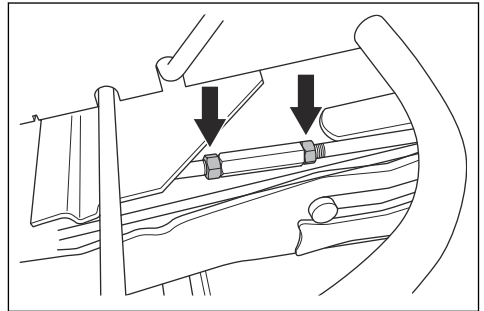


### To adjust the parallelism of the cutting deck

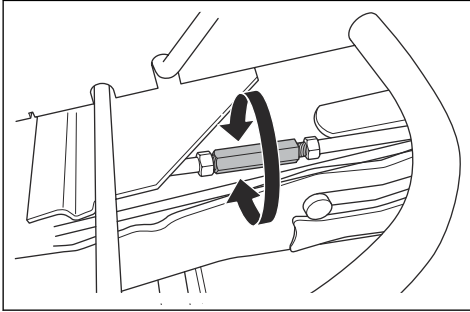
1. Remove the front cover and the right footrest plate.
2. Remove the screws that hold the belt shield and remove the belt shield.



3. Loosen the nuts on the lift strut.



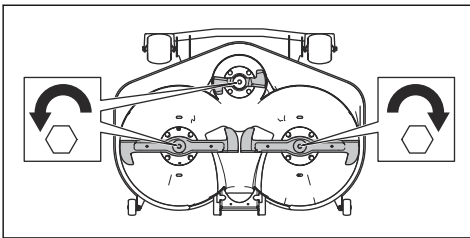
- Turn the lift strut to extend the stay or make it shorter. Extend the stay to lift the rear edge of the cover. Make the stay shorter to lower the rear edge of the cover.



- Tighten the nuts on the lift strut when the adjustment is done.
- Do a check of the parallelism. Refer to *To do a check of the parallelism of the cutting deck on page 27*.
- Attach the belt shield and tighten the screws.
- Attach the right footrest plate and the front cover.

## To examine the blades

Put the cutting deck in servicing position. Look at the blades to see if they are damaged and if it is necessary to sharpen them. Tighten the blade bolts with tightening torque 60 Nm, in the direction of the arrows in the illustration.



**CAUTION:** Damaged or incorrectly balanced blades cause unbalance that can damage the product. Replace damaged blades. Let an authorized service agent help you sharpen and balance blunt blades.

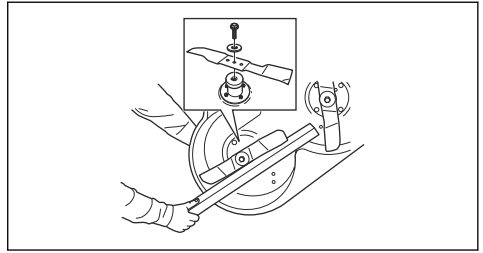
## To replace the blades



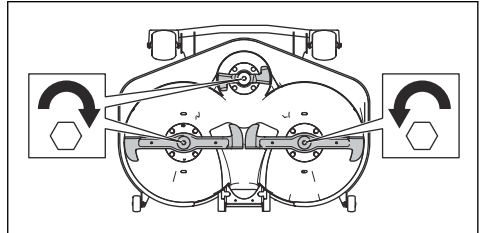
**CAUTION:** The bolt heads can be damaged if you try to loosen them in the incorrect direction.

- Put the cutting deck in servicing position.

- Lock the blade with a wooden block.



- Loosen and remove the blade bolt, the washers and the blade. Loosen the blade bolts in the direction of the arrows in the illustration.



- Assemble the new blade with the angled ends in the direction of the cutting deck.

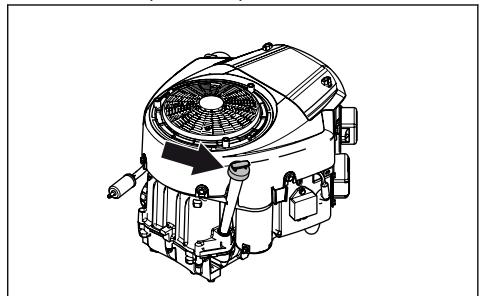


**WARNING:** Incorrect blade type can cause objects to eject from the cutting deck and cause serious injury. Use only the blades given in *Technical data on page 34*.

- Attach the blade with the washer and the bolt with tightening torque 60 Nm.

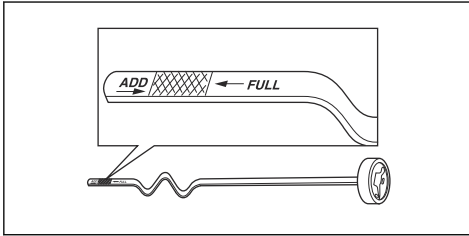
## To do a check of the engine oil level

- Park the product on level ground and stop the engine.
- Open the engine cover.
- Loosen the dipstick and pull it out.



- Clean the oil from the dipstick.
- Put the dipstick back in and tighten it.
- Loosen and pull the dipstick out and read the oil level.

- The oil level must be between the marks on the dipstick. If the level is near the ADD mark, fill oil to the FULL mark.



- Fill the oil through the hole that the dipstick sits in. Fill the oil slowly.

**Note:** See *Technical data on page 34* for the types of engine oil that we recommend. Do not mix different types of oil.

- Tighten the dipstick correctly before you start the engine. Start and idle the engine for approximately 30 seconds. Stop the engine. Wait 30 seconds and do a check of the oil level again.

## To change the engine oil and the oil filter

If the engine is cold, start the engine for 1–2 minutes before you drain the engine oil. This makes the engine oil warm and easier to drain.

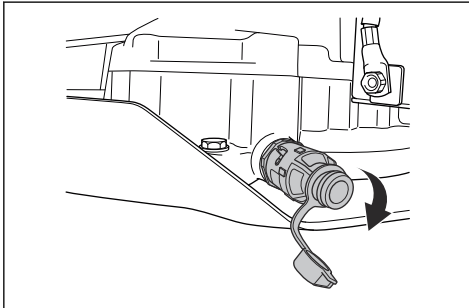


**WARNING:** Do not operate the engine for more than 1–2 minutes before you drain the engine oil. The engine oil becomes very hot and can cause burn injuries. Let the engine become cool before you drain the engine oil.



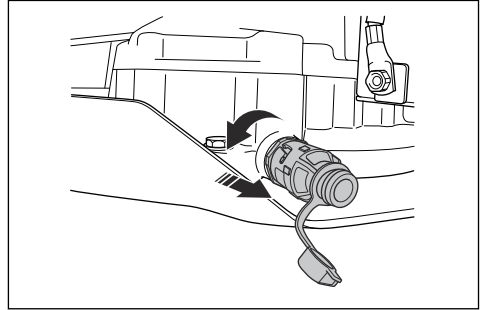
**WARNING:** If you spill engine oil on your body, clean with soap and water.

- Open the plastic cap on the end of the oil drain plug.

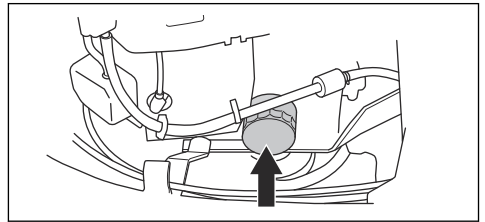


- To make it easier to drain the oil without spill, attach for example a plastic hose to the end of the oil drain plug.

- Put a container below the oil drain plug.
- Remove the dipstick.
- Turn the oil drain plug counterclockwise and pull out to open it.



- Let the oil run out into the container.
- Push the oil drain plug in and turn it clockwise to close it.
- Remove the plastic hose and put the cap on the oil drain plug back.
- Turn the oil filter counterclockwise to remove it.

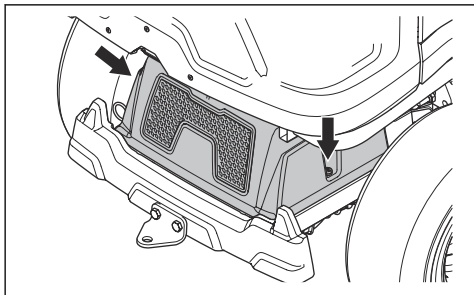


- Lightly lubricate the rubber seal on the new oil filter with new oil.
- To attach the oil filter, turn it clockwise by hand until the rubber seal is in position, then tighten a half turn more.
- Fill with new oil as given in *To do a check of the engine oil level on page 28*.
- Start the engine and let it idle for 3 minutes.
- Stop the engine and make sure that the oil filter does not leak.
- Fill with oil to compensate for the oil held in the new oil filter.

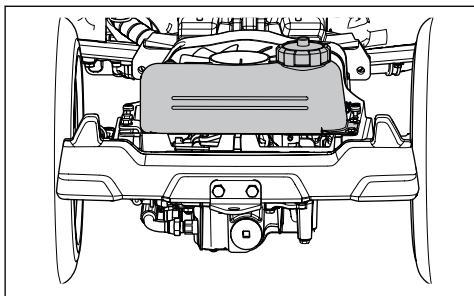
**Note:** For safe disposal of used engine oil, see *Disposal on page 33*.

## To do a check of the transmission oil level

1. Remove the two screws, one on each side, and lift off the transmission cover.



2. Make sure that the oil level in the transmission oil tank is between the two horizontal lines on the tank.

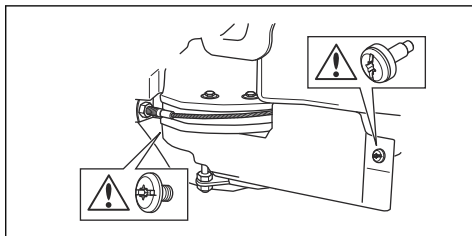


3. Fill with engine oil if the oil level is below the lower line, but do not fill above the top line. See *Technical data on page 34* for recommended oil for RC 318T and RC 320Ts AWD. RC 320Ts AWD must have a synthetic oil.

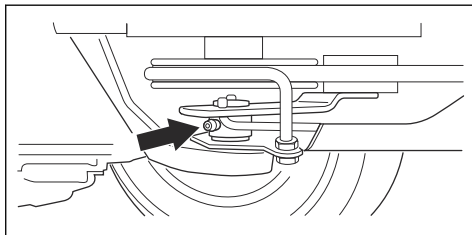
## To lubricate the belt adjuster

The belt adjuster must be lubricated regularly with a good quality molybdenum disulphide grease.

1. Remove the 2 screws that hold the belt shield and lift it off.



2. Lubricate with a grease gun, 1 nipple from the right side below the lower belt pulley, until grease is forced out.



3. Attach the belt shield and tighten the 2 screws.

---

## Troubleshooting

---

### Troubleshooting schedule

If you cannot find a solution to your problems in this owner's manual, speak to your Husqvarna service agent.

<b>Problem</b>	<b>Cause</b>
The starter motor does not turn the engine over	The parking brake is not applied. See <i>Safety circuit on page 9</i> .
	The lift lever for the cutting deck is in mowing position. See <i>Safety circuit on page 9</i> .
	The main fuse is blown. See <i>To replace a fuse on page 24</i> .
	The ignition lock is defective.
	The connection between the cable and the battery is bad. See <i>Battery safety on page 11</i> .
	The battery is too weak. See <i>To charge the battery on page 24</i> .
	The starter motor is defective.
The engine does not start when the start motor turns the engine over	There is no fuel in the fuel tank. See <i>To fill fuel on page 14</i> .
	The spark plug is defective.
	The ignition cable is defective.
	There is dirt in the carburettor or fuel line.
The engine does not run smoothly	The spark plug is defective.
	The carburettor is incorrectly set.
	The air filter is clogged. See <i>To clean and change the air filter on page 24</i> .
	The fuel tank vent is blocked.
	There is dirt in the carburetor or fuel line.
The engine apparently has no power	The air filter is clogged. See <i>To clean and change the air filter on page 24</i> .
	The spark plug is defective.
	There is dirt in the carburetor or fuel line.
	The throttle cable is incorrectly adjusted.
The transmission does not have sufficient power	The transmission cooling air intake or the cooling flanges are blocked.
	The fan on the transmission is damaged.
	The hydraulic oil cooling fan (RC 320Ts AWD only) is blocked. See <i>To clean the hydraulic oil cooler on page 21</i> .
	The hydraulic oil cooling fan (RC 320Ts AWD only) is damaged.
	There is no oil in the transmission or the oil level is too low. See <i>To do a check of the transmission oil level on page 30</i> .
The battery does not charge	The battery is defective. See <i>Battery safety on page 11</i> .
	The connection at the cable connectors on the battery terminals is bad. See <i>Battery safety on page 11</i> .
	The battery is in protective mode. See <i>To charge the battery on page 24</i> .

Problem	Cause
There is vibration in the product	The collector is full. The operator has ignored the collector full signal or the sensor for collector full is set in the incorrect position. See <i>To adjust the sensor for collector full on page 16</i> .
	The product is operated in long, thick and/or wet grass in non-collect mode. See <i>To get a good mowing result on page 18</i> .
	The blades are loose. See <i>To examine the blades on page 28</i> .
	One or more of the blades are unbalanced. See <i>To examine the blades on page 28</i> .
	The auger is damaged.
	The engine is loose.
The mowing result is unsatisfactory	The blades are blunt. See <i>To replace the blades on page 28</i> .
	The grass is long or wet. See <i>To get a good mowing result on page 18</i> .
	The cutting deck is skew.
	There is grass blockage in the cutting deck. See <i>To clean the product on page 20</i> .
	The tire pressure is different on the right and left sides. See <i>To set the tire pressure on page 25</i> .
	The product is operated at a too high speed. See <i>To get a good mowing result on page 18</i> .
	The engine speed is too low. See <i>To get a good mowing result on page 18</i> .
	The drive belt slips.

---

## Transportation, storage and disposal

---

### Transportation

- The product is heavy and can cause crush injuries. Be careful when you load it onto or off a vehicle or trailer.
- Use an approved trailer for transportation of the product.
- Make sure that you have knowledge of local road traffic regulations before transportation of the product in a trailer or on roads.

### To safely attach the product on a trailer for transport



**WARNING:** The parking brake is not sufficient to lock the product during transport. Attach the product tightly to the trailer.

Equipment: 2 approved tension belts and 4 wedge shaped wheel blocks.

1. Apply the parking brake.

2. Attach the tension belts around the frame or rear wagon.
3. Tighten the tension belts in the direction of the rear and the front of the trailer to secure the product.
4. Put the wheel blocks in front of and behind the rear wheels.

### To tow the product

The product has a hydrostatic transmission. To prevent damage to the transmission, tow the product short distances only and at low speed.

Disengage the transmission when you tow. See *To engage and disengage the drive system on page 15*.

### Storage

Prepare the product for storage at the end of the season, and before more than 30 days of storage. If you keep fuel in the fuel tank for 30 days or more, tacky particles can cause blockage in the carburetor. This has a negative effect on the engine function.



To prevent tacky particles during storage, add a stabilizer. If alkylate gasoline is used, stabilizer is not necessary. If you use standard gasoline, do not change to alkylate gasoline. This can cause sensitive rubber parts to become hard. Add stabilizer to the fuel in the tank or in the container used for storage. Always use the mixing ratios given by the manufacturer. Run the engine for a minimum of 10 minutes after you add the stabilizer until it flows into the carburetor.



**WARNING:** Do not keep the product with fuel in the tank in an indoor location or in locations with bad airflow. Risk of fire if fuel fumes come near open flames, sparks, or pilot lights in for example boilers, hot water tanks and clothes dryers.



**WARNING:** Remove grass, leaves and other flammable materials from the product to decrease the risk of fire. Let the product become cool before you put it in storage.

- 
- Clean the product, see *To clean the product on page 20*. Touch-up paint damage to prevent corrosion.
  - Examine the product for worn or damaged parts and tighten loose screws and nuts.
  - Charge the battery. Use only the charger specified by Husqvarna for this type of battery (LiFePO4).
  - Change the engine oil, and discard the waste oil.
  - Empty the fuel tank. Start the engine and run it until there is no remaining fuel in the carburetor.

---

**Note:** Do not empty the fuel tank and carburetor if a stabilizer has been added.

- 
- Remove the plugs and put about a tablespoon of engine oil into each cylinder. Manually turn the engine shaft to distribute the oil and screw the plugs back on.
  - Lubricate all grease nipples, joints and axles.
  - Store the product in a clean and dry area and cover it for more protection.
  - A cover for protection of your product during storage or transport is available at your dealer.

## Disposal

- Chemicals can be dangerous and must not be discarded on the ground. Always discard used chemicals at a service center or an applicable disposal location.
- When the product is worn out, send it to the dealer or to an applicable recycling location.
- Oil, oil filters, fuel and the battery can have negative effects on the environment. Obey the local recycling requirements and applicable regulations.
- Do not discard the battery as domestic waste.
- Send the battery to a Husqvarna service agent or discard it at a disposal location for used batteries.

## Technical data

### Technical data

	RC 318T	RC 320Ts AWD
<b>Dimensions</b>		
Length without cutting deck, mm	2089	2089
Width without cutting deck, mm	1030	1030
Length including cutting deck, mm	2394	2394
Height, mm	1284	1284
Weight without cutting deck, with empty tanks, kg	326	327
Wheel base, mm	903	903
Track width, front, mm	860	860
Track width, rear, mm	670	670
Tire dimensions	16×6.50×8	16×6.50×8
Tire pressure, rear – front, kPa / bar / PSI	150 / 1.5 / 21.8	150 / 1.5 / 21.8
Max. gradient, degrees °	10	10
<b>Engine</b>		
Brand / Model	Briggs & Stratton / Endurance 7200 Twin	Briggs & Stratton / Endurance 7220 Twin
Nominal engine output, kW <sup>1</sup>	12.6	12.6
Displacement, cm <sup>3</sup>	656	656
Max. engine speed, rpm	3000 +/- 100	3000 +/- 100
Max. speed forward, km/h	8.5	8.5
Fuel, min. octane grade	91	91
Tank volume, litres	12	12
Oil	Class SF, SG, SH or SJ SAE40, SAE30, SAE10W-30, SAE10W-40 or SAE5W-20	Class SF, SG, SH or SJ SAE40, SAE30, SAE10W-30, SAE10W-40 or SAE5W-20
Oil volume incl. filter, litres	1.9	1.9
Oil volume excl. filter, litres	1.6	1.6
Start motor	Electric start 12V	Electric start 12V
<b>Transmission</b>		
Brand	Tuff Torq	Tuff Torq
Model	K66 AT	K664M / KTM10T

<sup>1</sup> The power rating of the engine indicated is the average net output (at specified rpm) of a typical production engine for the engine model measured to SAE standard J1349/ISO1585. Mass production engines may differ from this value. Actual power output for the engine installed on the final product will depend on the operating speed, environmental conditions and other values.

	<b>RC 318T</b>	<b>RC 320Ts AWD</b>
Oil, class SF-CC	SAE 10W/40	SAE 10W/50 Synthetic
<b>Electrical system</b>		
Type	12V, negative earthed	12V, negative earthed
Battery	LiFePO <sub>4</sub>	LiFePO <sub>4</sub>
Max. battery charging voltage	14.4V	14.4V
Max. battery charging current	3.0A	3.0A
Spark plug	XC92YC	XC92YC
Electrode gap, mm/inch	0.75/0.030	0.75/0.030
Lamp	LED GU5.3 12v 4.5–6.5W	LED GU5.3 12v 4.5–6.5W
<b>Cutting deck</b>		
Type	Combi 103	Combi 103
	Combi 112	Combi 112

<b>Cutting deck</b>	<b>Combi 103</b>	<b>Combi 112</b>
Width, mm	1086	1176
Cutting width, mm	1030	1120
Cutting height, 8 positions, mm	25–75	25–75
Weight, kg	63	63
<b>Noise emissions<sup>2</sup></b>		
Sound power level, measured dB(A)	99	99
Sound power level, guaranteed dB(A)	100	100
<b>Sound levels<sup>3</sup></b>		
Sound pressure level at the operators ear, dB(A)	85	85
<b>Vibration levels<sup>4</sup></b>		
Vibration level on the steering wheel, m/s <sup>2</sup>	2.4 m/s <sup>2</sup>	2.4 m/s <sup>2</sup>
Vibration level in the seat, m/s <sup>2</sup>	0.5 m/s <sup>2</sup>	0.5 m/s <sup>2</sup>
<b>Blades</b>		
Blade length left and right blade, mm	510	555
Blade length centered blade, mm	243	243
Left blade article number	590 74 94-10	588 82 43-10

<sup>2</sup> Noise emissions in the environment measured as sound power ( $L_{WA}$ ) in conformity with EC directive 2000/14/EC.

<sup>3</sup> Noise pressure level according to EN ISO 5395. Reported data for noise pressure level has a typical statistical dispersion (standard deviation) of 1.2 dB(A).

<sup>4</sup> Vibration level according to EN ISO 5395. Reported data for vibration level has a typical statistical dispersion (standard deviation) of 0.2 m/s<sup>2</sup> (steering wheel) and 0.8 m/s<sup>2</sup> (seat).

Cutting deck	Combi 103	Combi 112
Right blade article number	590 74 94-20	588 82 43-20
Centered blade article number	588 82 44-10	588 82 44-10



**WARNING:** To use a cutting deck that is not approved for the product can cause objects to eject at high speed and cause serious

injury. Do not use other cutting deck types than specified in this owner's manual.

---

## Service

---

### Service

Do a yearly check at an authorized service center to make sure that the product functions safely and at its best during high season. The best time to do a servicing or overhaul of the product is low season.

When you send an order for the spare parts, give information about the purchase year, model, type, and serial number.

Always use original spare parts.

---

## Warranty

---

### Transmission warranty

Applies to RC 320Ts AWD only.

The transmission warranty is only applicable if checks are done of the front and rear wheel rotation speed as given in the maintenance schedule. To prevent damage to the transmission system, let an authorized service agent adjust it. Refer to the table values specified in the workshop manual.

---

# EC Declaration of Conformity

---

## EC Declaration of Conformity

**Husqvarna AB**, SE-561 82 Huskvarna, Sweden, tel: +46-36-146500, declares that the **ride-on lawn mower Husqvarna RC 318T and RC 320Ts AWD** comply with the requirements of the COUNCIL'S DIRECTIVE:

- of May 17, 2006 "relating to machinery" **2006/42/EC**
- of February 26, 2014 "relating to electromagnetic compatibility" **2014/30/EU**
- of May 8, 2000 "relating to the noise emissions in the environment" **2000/14/EC**

Information regarding noise emissions and the mowing width, see Technical data.

The following harmonised standards have been applied:

**EN ISO 12100, EN ISO 5395-1, EN ISO 5395-3, EN ISO 14982**

If not otherwise stated, the above listed standards are the latest published versions.

Notified body: **0404, RISE SMP Svensk Maskinprovning AB, Box 7035, SE-750 07 Uppsala** has issued reports regarding the assessment of conformity according to annex VI of the COUNCIL'S DIRECTIVE of May 8, 2000 "relating to the noise emissions in the environment" 2000/14/EC.

The certificates have the numbers: 01/901/283, 01/901/301

Huskvarna, 2017-12-31



Claes Losdal, Development Manager/Garden Products  
(Authorized representative for Husqvarna AB and responsible for technical documentation)

---

## Contenido

---

Introducción.....	38	Transporte, almacenamiento y eliminación.....	70
Seguridad.....	43	Datos técnicos.....	72
Montaje.....	49	Servicio técnico.....	74
Funcionamiento.....	51	Garantía.....	74
Mantenimiento.....	56	Declaración CE de conformidad.....	75
Resolución de problemas.....	68	.....	0

---

## Introducción

---

### Inspección previa a la entrega y números de producto

copia firmada del documento de inspección previa a la entrega de su distribuidor.

---

**Nota:** Se ha realizado una inspección previa a la entrega de este producto. Asegúrese de que recibe una

Información de contacto del taller de servicio:	
Este manual de usuario pertenece a un producto con número de producto/número de serie:	
/	
Motor:	
Transmisión:	

### Descripción del producto

El RC 318T y el RC 320Ts AWD son tractores cortacésped equipados con modo de recogida. En modo de recogida, un sinfín envía la hierba cortada a un recogedor de hierba. Las señales visuales y sonoras indican el estado del sinfín y el recogedor. Los pedales de marcha adelante y marcha atrás permiten al usuario ajustar la velocidad directamente. Un contador de horas muestra cuántas horas ha estado cortando el producto. La batería es de litio-ferrofosfato recargable, LiFePO<sub>4</sub>. El RC 320Ts AWD tiene un sistema de tracción a las cuatro ruedas (AWD).

espacios abiertos con suelo nivelado como zonas residenciales y jardines. No está permitido utilizar el producto para otras tareas.

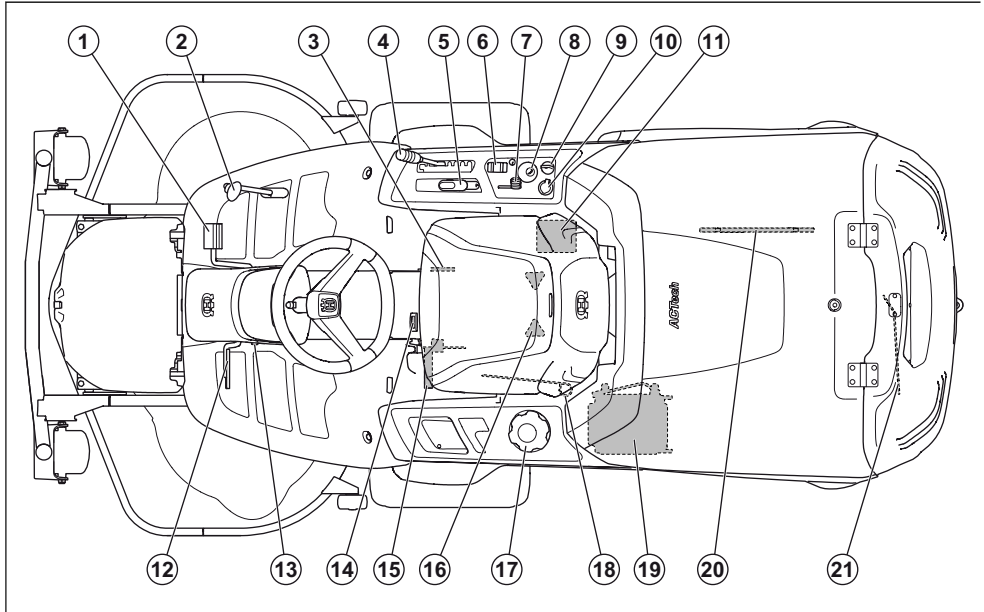
### Asegure su producto

Asegúrese de que tiene su seguro cubre el nuevo producto. Si tiene cualquier duda, hable con su compañía de seguros. Se recomienda un seguro a todo riesgo que incluya terceros, incendio, daños, robo y responsabilidad.

### Uso previsto

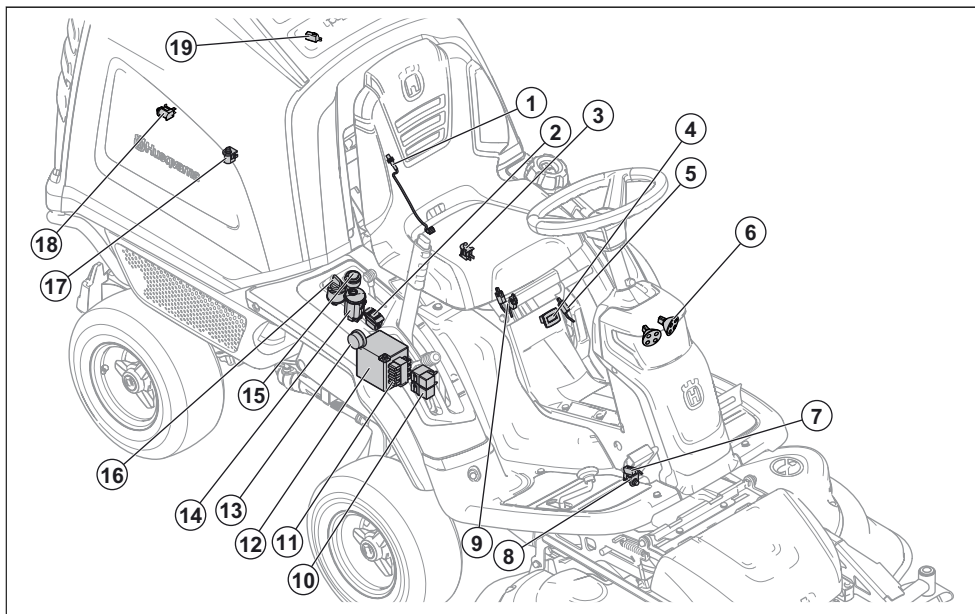
Los tractores cortacésped AWD RC 318T y RC 320Ts AWD están diseñados para cortar hierba en los

## Descripción del producto



- |  |   |
|--|---|
| 1. Pedal de marcha adelante  | 13. Botón de bloqueo del freno de estacionamiento   |
| 2. Pedal de marcha atrás   | 14. Cuentahoras   |
| 3. Placa de identificación   | 15. Palanca de posición de servicio del sinfín  |
| 4. Palanca de la altura de corte   | 16. Ajuste del asiento  |
| 5. Palanca de elevación para el equipo de corte  | 17. Tapa del depósito   |
| 6. Interruptor para la inclinación del recogedor   | 18. Palanca para engranar o desengranar la transmisión del eje delantero, RC 320Ts AWD  |
| 7. Control del acelerador  | 19. Enfriador de aceite hidráulico, RC 320Ts AWD  |
| 8. Interruptor de control del sinfín con indicadores LED   | 20. Herramienta de mantenimiento del sinfín   |
| 9. Contacto  | 21. Palanca para engranar o desengranar la transmisión, RC 318T. Palanca para engranar o desengranar la transmisión del eje trasero, RC 320Ts AWD |
| 10. Toma de corriente de 12 V  |   |
| 11. Batería  |   |
| 12. Pedal de freno de estacionamiento (RC 320Ts AWD)/pedal de freno y freno de estacionamiento (RC 318T) |   |

## Descripción general del sistema eléctrico

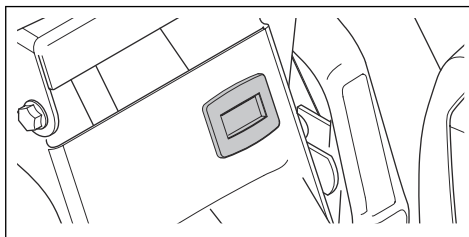


1. Sensor de rotación del sinfín
2. Interruptor para la inclinación del recogedor
3. Interruptor de seguridad del asiento
4. Cuentahoras
5. Interruptor de la palanca para la posición de servicio del sinfín
6. Faros
7. Microinterruptor, freno de estacionamiento
8. Sensor de la posición del equipo de corte
9. Interruptor de seguridad de la palanca de elevación
10. Relé
11. Fusibles
12. Batería
13. Zumbador
14. Interruptor de control del sinfín con indicadores LED
15. Toma de corriente (12 V)
16. Contacto
17. Sensor de posición del recogedor
18. Interruptor de la tapa del recogedor
19. Sensor de recogedor lleno

estacionamiento no está aplicado. Consulte también *Circuito de seguridad en la página 46*.

### Cuentahoras

El contador de horas muestra cuántas horas ha estado en marcha el motor. El tiempo con el contacto puesto pero el motor apagado no se registra. El último dígito muestra las décimas de hora (6 minutos).



### Batería

La batería es de litio-ferrofosfato recargable,  $\text{LiFePO}_4$ . Si la tensión de la batería es demasiado baja, entra en modo de protección y no reacciona cuando se activa el contacto. Cuando la batería está en modo de protección o si está demasiado débil para arrancar el motor, esta debe cargarse. Consulte *Carga de la batería en la página 62*.

### Interruptor de seguridad del asiento

El interruptor de seguridad del asiento inicia el circuito de seguridad cuando el operador se levanta del asiento. El motor y la motricidad de las cuchillas se detienen si las cuchillas están activadas o si el freno de

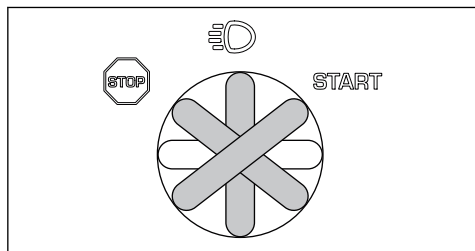


## Toma de corriente

La tensión de la toma de corriente es de 12 V. La toma de corriente está protegida por fusibles, consulte *Sustitución de un fusible en la página 62.*

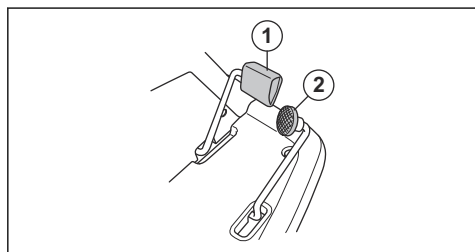
## Contacto

El contacto tiene 4 posiciones: parado, luces, punto muerto y arranque. Si el contacto se queda encendido, pero el motor está apagado, se oye un pitido en un intervalo de 20 segundos para recordar al usuario que gire el contacto a la posición de parada, STOP, para no descargar la batería.



## Pedales de marcha adelante y marcha atrás

La velocidad se ajusta gradualmente con dos pedales. El pedal izquierdo (1) se utiliza para desplazarse hacia delante y el pedal derecho (2) para desplazarse marcha atrás. La máquina frena al soltar los pedales.



## Interruptor de control del sinfín con indicadores LED

Los símbolos que se encuentran en el interruptor de control del sinfín indican si el producto está en modo de recogida o sin recogida, y el estado del sinfín y el recogedor. La tabla siguiente proporciona el significado de los diferentes símbolos.



El recogedor está lleno. El símbolo se ilumina en naranja y se oye un pitido.



La tapa del recogedor está abierta. El símbolo se enciende en rojo y se oye un pitido.



El recogedor no está bajado. El símbolo se enciende en rojo y se oye un pitido.



Un símbolo de color verde en el botón del sinfín indica que el producto está configurado en el modo de recogida.



Un símbolo de color azul en el botón del sinfín indica que el producto está configurado en el modo sin recogida.



Pulse y mantenga pulsado el botón del sinfín hasta que se oiga un pitido para cambiar entre el modo de recogida y sin recogida.

Un símbolo de color rojo en el botón del sinfín indica que el sinfín está bloqueado y se ha detenido. Se oye un pitido continuo.

Gire el contacto hasta STOP para detener el pitido. Consulte las instrucciones *Desbloqueo del sinfín en la página 58* para quitar el bloqueo antes de arrancar de nuevo el producto.

## Símbolos que aparecen en el producto



**ADVERTENCIA:** Su uso descuidado o erróneo puede provocar heridas graves o mortales al operador o terceros.



Lea detenidamente el manual de usuario y asegúrese de que entiende las instrucciones antes de usar la máquina.



**Cuchillas giratorias:** mantenga las partes del cuerpo alejadas de la tapa cuando el motor esté encendido.



**Advertencia:** Piezas giratorias. Mantenga las partes del cuerpo alejadas.



Tenga cuidado con los objetos lanzados o rebotados.



Nunca utilice el producto cerca de personas, especialmente niños o mascotas.



Mire hacia atrás antes y durante el desplazamiento del producto marcha atrás.



No corte nunca la hierba de forma trasversal en una pendiente. No corte la hierba en terrenos con pendientes de más de 10°. Consulte *Cortar el césped en pendientes en la página 47*.



No lleve nunca pasajeros en el producto o el equipo.



Desplazamiento hacia delante.



Punto muerto.



Desplazamiento marcha atrás.



Freno de estacionamiento, modelo RC 320Ts AWD.



Freno de la velocidad y freno de estacionamiento, modelo RC 318T.



Pare el motor.



Arranque el motor.



Faros.



Régimen del motor: rápido.



Régimen del motor: lento.



El sinfín está en posición de servicio.



El equipo de corte no está montado.



El recogedor está lleno.



La tapa del recogedor está abierta.



El recogedor no está bajado.



Testigo del estado del sistema del sinfín.



Inclinación y apertura del recogedor.



Descenso del recogedor a la posición de funcionamiento.



Combustible.



Máx. 10 % de etanol.



Altura de corte.



Posición de servicio para la palanca de la altura de corte.



Las cuchillas están activadas.



Las cuchillas están desactivadas.



Posición de servicio del equipo de corte.



Posición de corte del equipo de corte.



El sinfín está en posición de funcionamiento.



El sinfín está en posición de servicio.



No pisar aquí.



Rueda libre hidrostática.



Nivel de aceite.



Riesgo de lesiones por aplastamiento.



Riesgo de lesiones por aplastamiento.  
Mantener partes del cuerpo alejadas del bastidor del equipo.



Superficie caliente.



No tocar.



Este producto cumple con las directivas CE vigentes.



Las emisiones sonoras en el entorno según la directiva de la Comunidad Europea. Las emisiones del producto se indican en el capítulo «Datos técnicos» y en la etiqueta.



Se debe utilizar siempre protección auditiva homologada.

aaaassxxxx

El número de serie en la placa de identificación. **aaaa** es el año de fabricación, **ss** es la semana de producción y **xxxx** es el número secuencial.

**Nota:** Los demás símbolos/etiquetas que aparecen en el producto corresponden a requisitos de homologación específicos en algunos mercados.

## UE V



**ADVERTENCIA:** La manipulación del motor anula la homologación de la UE de este producto.

## Responsabilidad sobre el producto

Como se estipula en las leyes de responsabilidad del producto, no nos hacemos responsables de los daños y perjuicios causados por nuestro producto si:

- El producto se ha reparado incorrectamente.
- El producto se ha reparado con piezas que no eran del fabricante o no autorizadas por el fabricante.
- El producto tiene un accesorio que no es del fabricante o no está autorizado por este.
- El producto no se ha reparado en un centro de servicio autorizado o por un organismo homologado.

## Seguridad

### Definiciones de seguridad

Las advertencias, precauciones y notas se utilizan para destacar información especialmente importante del manual.



**ADVERTENCIA:** Indica un riesgo de lesiones o incluso de muerte del usuario o de las personas cercanas si no se respetan las instrucciones del manual.



**PRECAUCIÓN:** Indica un riesgo de daños en el producto, otros materiales o el área adyacente si no se respetan las instrucciones del manual.

**Nota:** Se usa para proporcionar más información necesaria en una situación determinada.

### Instrucciones generales de seguridad



**ADVERTENCIA:** Este producto puede cortar las manos y los pies, y arrojar objetos. Puede causar lesiones graves o incluso la muerte si no siguen las instrucciones de seguridad.



**ADVERTENCIA:** No se debe continuar utilizando un producto con un equipo de corte dañado, ya que este puede arrojar objetos y causar lesiones graves o incluso la muerte. Sustituya las cuchillas dañadas inmediatamente.



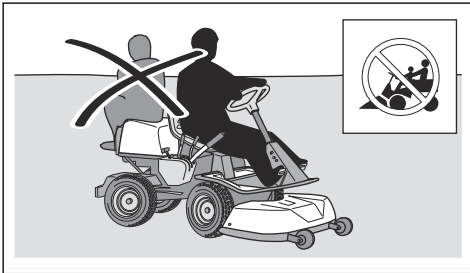
**ADVERTENCIA:** Este producto genera un campo electromagnético durante el funcionamiento. Este campo magnético puede, en determinadas circunstancias,

interferir con implantes médicos activos o pasivos. Para reducir el riesgo de que se den condiciones que provocarían lesiones graves o letales, las personas que utilizan implantes médicos deben consultar con su médico y con el fabricante del implante antes de poner en marcha este producto.



**ADVERTENCIA:** Lea las siguientes instrucciones de advertencia antes de utilizar el producto.

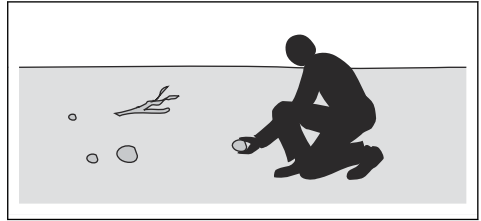
- Proceda siempre con cuidado y utilice siempre el sentido común. Evite todas aquellas situaciones que considere que sobrepasan sus capacidades. Si después de leer el manual de usuario no se siente seguro respecto a los procedimientos de funcionamiento, consulte con un experto antes de continuar.
- Lea detenidamente y comprenda el manual de usuario y las instrucciones del producto antes de arrancar el producto.
- Aprenda a utilizar el producto y sus controles de forma segura, y aprenda a detener el producto con rapidez.
- Aprenda a reconocer las etiquetas de seguridad.
- Mantenga el producto limpio para asegurarse de que puede leer claramente los símbolos y las pegatinas.
- Debe tenerse en cuenta que el operador será responsable de los accidentes que involucren a otras personas o a su propiedad.
- No transporte pasajeros. El producto debe ser usado únicamente por una persona.



- No deje que el producto permanezca sin supervisión con el motor en marcha. Pare siempre las cuchillas, ponga el freno de estacionamiento, detenga el motor y quite la llave de contacto antes de dejar el producto sin supervisión.
- Utilice el producto únicamente con la luz del día o en áreas con buena iluminación. Mantenga el producto a una distancia segura respecto a edificios u otras irregularidades del suelo. Tenga cuidado con otros posibles riesgos.
- No utilice el producto en condiciones climáticas desfavorables, por ejemplo, con niebla, lluvia,

humedad, lugares húmedos, viento fuerte, frío intenso, posibilidad de relámpagos, etc.

- Localice y marque piedras y otros objetos fijos para no colisionar con ellos.
- Limpie la zona de objetos tales como piedras, juguetes, cables, etc. que se podrían quedar atrapados en las cuchillas y ser lanzados.



- No deje que los niños u otras personas no autorizadas utilicen el producto ni realicen su mantenimiento. La legislación local regula la edad del usuario.
- Asegúrese de que no hay nadie en las proximidades del producto cuando arranque el motor, accione la transmisión o comience a desplazar el producto.
- Preste atención al tráfico cuando utilice la máquina cerca de una carretera o se desplace por una.
- No utilice el producto si está cansado, si ha ingerido alcohol o drogas, o si toma medicamentos o cualquier otra sustancia que puedan afectarle la vista, su capacidad de discernimiento o el control del cuerpo.
- Estacione siempre el producto en una superficie nivelada con el motor apagado.

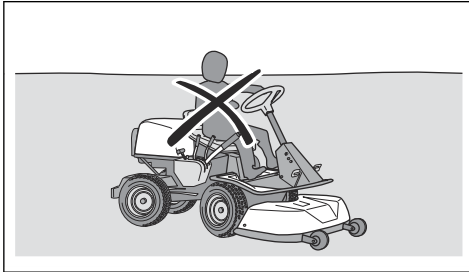
### Instrucciones de seguridad relativas a los niños



**ADVERTENCIA:** Lea las siguientes instrucciones de advertencia antes de utilizar el producto.

- Pueden producirse accidentes graves si no vigila a los niños que estén cerca del producto. Los niños pueden sentirse atraídos por el producto y por cortar el césped. Es muy posible que los niños no se queden quietos donde los vio por última vez.
- Mantenga a los niños alejados de la zona de corte. Asegúrese de que hay presente un adulto responsable de los niños.
- Preste atención y detenga el producto si un niño entra en la zona de trabajo. Tenga mucho cuidado cuando se acerque a esquinas, arbustos, árboles u otros objetos que podrían bloquear su buena visibilidad.
- Antes de desplazar el producto marcha atrás, mire hacia atrás y hacia abajo para asegurarse de que no hay niños pequeños en las proximidades del producto.

- No deje que los niños monten con usted. Pueden caerse y sufrir graves lesiones o impedir el manejo seguro del producto.
- No deje que los niños manejen el producto.



## Instrucciones de seguridad para el funcionamiento



**ADVERTENCIA:** Lea las siguientes instrucciones de advertencia antes de utilizar el producto.



**ADVERTENCIA:** El motor y el sistema de escape pueden calentarse mucho durante el funcionamiento. Riesgo de quemaduras, incendio y daños graves en la propiedad o las zonas adyacentes. No toque el motor ni el sistema de escape durante o directamente después del uso. Al cortar el césped aléjese de los arbustos y otros objetos.

- No desplace el producto con el recogedor inclinado. Esto puede dañar el recogedor y aumentar el riesgo de que el producto vuelque.
- Antes y durante el desplazamiento del producto marcha atrás, mire hacia atrás y hacia abajo. Tenga muy en cuenta tanto los obstáculos grandes como pequeños.
- Disminuya la velocidad antes de girar una esquina.
- Mueva los objetos fijos con cuidado para asegurarse de que las cuchillas no los golpeen. No pase por encima de ningún objeto mientras corta el césped.
- Cuando no esté cortando el césped, detenga las cuchillas.



**PRECAUCIÓN:** Lea las siguientes instrucciones de precaución antes de utilizar el producto.

- Antes de utilizar el producto, quite la hierba y limpie la suciedad etc. de la toma de aire de refrigeración del motor. Si el motor no puede enfriarse se corre el riesgo de ocasionar graves daños en el motor.
- Si mientras corta el césped pasa por encima de algún objeto o choca con él, detenga y examine el producto y el equipo de corte. Si es necesario,

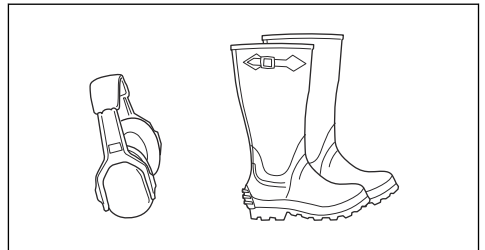
realice cualquier reparación antes de volver a poner la máquina en marcha.

## Equipo de protección personal



**ADVERTENCIA:** Lea las siguientes instrucciones de advertencia antes de utilizar el producto.

- Para trabajar con el producto debe utilizar un equipo de protección personal homologado. El equipo de protección personal no elimina completamente el riesgo de lesiones, pero reduce la gravedad de las lesiones en caso de accidente. Deje que el distribuidor le ayude a seleccionar el equipo adecuado.
- Se debe utilizar siempre protección auditiva homologada. La exposición prolongada al ruido puede causar daños crónicos en el oído.
- Lleve siempre calzado de seguridad o botas de protección. Se recomienda llevar punteras de acero. No utilice el producto descalzo.



- Utilice guantes cuando sea necesario, por ejemplo, para el montaje, inspección o limpieza del equipo de corte.
- No lleve ropa suelta, joyas u otros objetos que puedan quedar atrapados en las piezas móviles.
- Mantenga el equipo de primeros auxilios y el extintor de incendios cerca.

## Dispositivos de seguridad en el producto



**ADVERTENCIA:** Lea las siguientes instrucciones de advertencia antes de utilizar el producto.

- No utilice un producto que tenga dispositivos de seguridad defectuosos. Realice una comprobación de los dispositivos de seguridad con frecuencia. Si los dispositivos de seguridad están defectuosos, hable con su taller de servicio Husqvarna.
- No realice ninguna modificación de los dispositivos de seguridad. No utilice el producto si las placas protectoras, las cubiertas de protección, los interruptores de seguridad u otros dispositivos de protección no están instalados o están dañados.

## Comprobación del contacto

- Arranque y detenga el motor para realizar una comprobación del contacto. Consulte el apartado *Arranque del motor en la página 52 y Parada del motor en la página 55*.
- Asegúrese de que el motor arranca cuando gire la llave de contacto a START.
- Asegúrese de que el motor se detiene cuando gire la llave de contacto a STOP.

## Circuito de seguridad

El motor solo se puede arrancar si se cumplen las condiciones que se indican a continuación:

- El equipo de corte está elevado y el freno de estacionamiento, accionado.

El motor se debe detener en las situaciones siguientes:

- El equipo de corte está bajado y el operador se levanta del asiento.
- El equipo de corte está elevado, el freno de estacionamiento no está accionado y el operador se levanta del asiento.

Para realizar una comprobación del circuito de seguridad, intente arrancar el motor sin cumplir una de las condiciones anteriores. Inténtelo de nuevo en el otro supuesto. Realice esta prueba a diario.

## Sensores para el sinfín y el recogedor

Encienda el contacto, pero no arranque el motor. Realice una comprobación de cada sensor como se indica en la tabla siguiente. Asegúrese de que el símbolo relacionado con el interruptor de control del sinfín se enciende.



Baje la palanca de posición de servicio del sinfín. Si el sensor funciona correctamente, el símbolo se ilumina en rojo.



No monte el equipo de corte. Si el sensor funciona correctamente, el símbolo se ilumina en rojo y se oye un pitido cuando el contacto se gira a la posición de encendido.



Abra la tapa del recogedor. Si el sensor funciona correctamente, el símbolo se ilumina en rojo y se oye un pitido.



Presione el sensor de recogedor lleno. Si el sensor funciona correctamente, el símbolo se ilumina en naranja y se oye un pitido.



Incline el recogedor. Si el sensor funciona correctamente, el símbolo se ilumina en rojo y se oye un pitido.

## Comprobación del limitador de velocidad

- Suelte el pedal de marcha adelante para frenar.

- Para obtener más potencia de frenado, pise el pedal de marcha atrás.
- Asegúrese de que los pedales de marcha adelante y marcha atrás no están bloqueados y se pueden accionar libremente.
- Asegúrese de que el producto frena cuando se suelta el pedal de marcha adelante.

## Freno de estacionamiento



**ADVERTENCIA:** Si el freno de estacionamiento no funciona, el producto puede comenzar a moverse y provocar daños o lesiones. Asegúrese de que el freno de estacionamiento se examina y ajusta con frecuencia.

Consulte *Comprobación del freno de estacionamiento en la página 61*.

Para el modelo RC 318T, el pedal del freno de estacionamiento también se utiliza para obtener más potencia de frenado cuando es necesario, por ejemplo al frenar en una pendiente.

## Silenciador

El silenciador mantiene al mínimo los niveles de ruido y aparta los gases de escape del operador.

No utilice el producto si el silenciador no está instalado o está defectuoso. Un silenciador defectuoso aumenta el nivel de ruido y el riesgo de incendio.

Examine el silenciador con frecuencia para asegurarse de que está montado correctamente y que no está dañado.

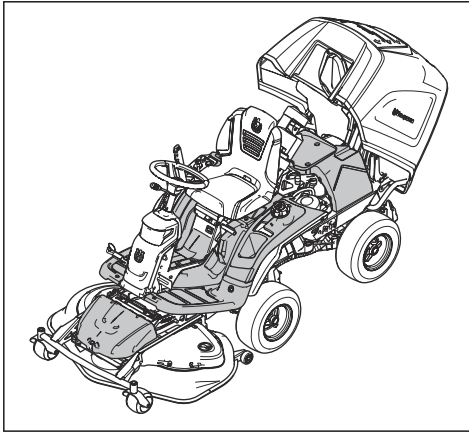


**PRECAUCIÓN:** El silenciador se calienta mucho durante y después de su uso, y cuando el motor funciona a ralentí. Tenga cuidado cerca de materiales inflamables o gases para evitar incendios.

## Tapas protectoras



**ADVERTENCIA:** Si el producto no dispone de tapas protectoras o si están dañadas, aumenta el riesgo de lesiones en las piezas móviles y las superficies calientes. Antes de utilizar el producto, asegúrese de que las tapas protectoras están montadas correctamente y no tienen grietas u otros daños. Sustituya las tapas dañadas.

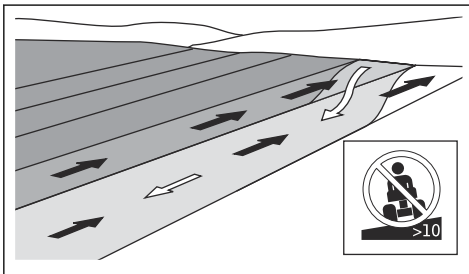


## Cortar el césped en pendientes



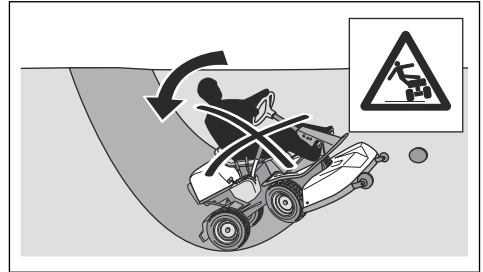
**ADVERTENCIA:** Lea las siguientes instrucciones de advertencia antes de utilizar el producto.

- Cortar el césped en pendientes aumenta el riesgo de perder el control del producto y que este vuelque, lo que puede provocar lesiones graves o la muerte. Es necesario cortar el césped con cuidado en todas las pendientes. Si no puede dar marcha atrás en la pendiente o si no se siente seguro en ella, no utilice la máquina.
- Elimine los obstáculos como piedras y ramas.
- En pendientes, trabaje de arriba a abajo y no de lado a lado.
- No baje por una pendiente con el equipo de corte elevado.
- No utilice el producto en pendientes de más de 10°.



- No arranque ni detenga la máquina en una pendiente.
- Para el modelo RC 318T, utilice siempre el pedal de freno para obtener más potencia de frenado cuando utilice la máquina en pendientes.
- En pendientes, desplácese con suavidad y lentamente.
- No realice cambios súbitos de velocidad ni dirección.

- No gire más de lo necesario. Cuando baje por una pendiente, gire de forma lenta y gradual. Muévase a baja velocidad. Gire la rueda con cuidado.
- Tenga cuidado, no se mueva a través de surcos, agujeros y baches, ya que existe un alto riesgo de que el producto se vuelque sobre una superficie que no es plana. La hierba crecida puede esconder obstáculos.
- No corte el césped cerca de bordes, zanjas o terraplenes. El producto puede volcar repentinamente si alguna de las ruedas se mueve por el borde de una fuerte pendiente o una zanja, o si faltara un trozo de bordillo. Si el producto cae al agua, existe el riesgo de ahogamiento.



- No corte hierba mojada. Es resbaladiza y las ruedas pueden perder adherencia, y el producto puede patinar.
- No ponga el pie en el suelo para intentar que el producto sea más estable.
- Muévase con mucho cuidado si hay algo que pueda hacer que el producto sea menos estable.

## Seguridad en el uso del combustible



**ADVERTENCIA:** Tenga cuidado con el combustible. Es muy inflamable y puede causar lesiones y daños a la propiedad.



**ADVERTENCIA:** Lea las siguientes instrucciones de advertencia antes de utilizar el producto.

- No llene el depósito de combustible en interiores.
- La gasolina y los gases de la gasolina son tóxicos y muy inflamables. Tenga cuidado con la gasolina para evitar lesiones o incendios.
- No retire el tapón de combustible ni llene el depósito de combustible cuando el motor esté en marcha.
- Deje que el motor se enfríe antes de repostar combustible.
- No fume cuando reposte combustible.
- No reposte combustible cerca de chispas o llamas descubiertas.
- Si hay fugas en el sistema de combustible, no arranque el motor hasta que se reparen las fugas.

- No reposte por encima del nivel de combustible recomendado. No llene demasiado el depósito de combustible ya que
- el calor procedente del motor y el sol hace que el combustible se expanda y se desborde si el depósito se llena demasiado. Si derrama carburante en el producto, límpielo y espere a que se haya secado antes de arrancar el motor. Si derrama combustible sobre la ropa, cámbiese inmediatamente.
- Almacene el combustible solo en recipientes homologados.
- Guarde el producto y el combustible de manera que no haya riesgo de que las fugas de combustible o los gases puedan causar daños.
- Vacíe el combustible en un depósito homologado situado en el exterior y lejos de llamas descubiertas.

equipo de corte si no se cumplen estas condiciones:

- El motor está apagado.
- El producto está estacionado en una superficie nivelada.
- El freno de estacionamiento está accionado.
- La llave de contacto está quitada.
- El equipo de corte está desacoplado.
- Los cables de encendido se han extraído de las bujías.

## Seguridad de la batería



**ADVERTENCIA:** Una batería dañada puede explotar y causar lesiones. Si la batería tiene una deformación o está dañada, hable con un taller de servicio Husqvarna autorizado.



**ADVERTENCIA:** Lea las siguientes instrucciones de advertencia antes de utilizar el producto.

- Lleve gafas protectoras cuando esté cerca de las baterías.
- No lleve relojes, joyas ni otros objetos metálicos cerca de la batería.
- Mantenga la batería fuera del alcance de los niños.
- Cargue la batería en una habitación con buena ventilación.
- Cuando cargue la batería, mantenga los materiales inflamables a una holgura mínima de 1 m.
- Deseche las baterías sustituidas. Consulte *Eliminación en la página 71*.



**PRECAUCIÓN:** Lea las siguientes instrucciones de precaución antes de utilizar el producto.

- Efectúe las recargas únicamente con el cargador especificado por el fabricante. Otros cargadores pueden dañar el sistema eléctrico y la batería.
- No apriete los terminales de la batería más que el par de apriete especificado, máx. 4 Nm.

## Instrucciones de seguridad para el mantenimiento



**ADVERTENCIA:** El producto es pesado y puede ocasionar lesiones o daños a los equipos o el área adyacente. No realice tareas de mantenimiento en el motor ni el



**ADVERTENCIA:** Los gases de escape del motor contienen monóxido de carbono, que es un gas inodoro, tóxico y muy peligroso. No ponga en marcha el producto en espacios cerrados ni espacios que no estén bien ventilados.



**ADVERTENCIA:** Lea las siguientes instrucciones de advertencia antes de utilizar el producto.

- Para lograr un mejor rendimiento y seguridad, realice el mantenimiento del producto periódicamente según lo establecido en el programa de mantenimiento. Consulte *Programa de mantenimiento en la página 56*.
- Las descargas eléctricas pueden causar lesiones. No toque los cables cuando el motor está encendido. No realice una prueba de funcionamiento del sistema de encendido con los dedos.
- No arranque el motor si se han retirado las cubiertas de protección. Existe un alto riesgo de lesiones causadas por las piezas móviles o calientes.
- Deje que el producto se enfríe antes de llevar a cabo alguna tarea de mantenimiento cerca del motor.
- Las cuchillas están afiladas y pueden provocar cortes. Cuando trabaje en las cuchillas, use una protección contra el viento alrededor de las mismas o lleve guantes protectores.
- Coloque el equipo de corte siempre en posición de servicio para limpiarlo. No estacione el producto cerca del borde de una zanja ni de una pendiente si va a acceder al equipo de corte.



**PRECAUCIÓN:** Lea las siguientes instrucciones de precaución antes de utilizar el producto.

- No encienda el motor si se han desconectado la bujía o el cable de encendido.
- Asegúrese de que todas las tuercas y pernos están apretados correctamente y que el equipo está en buen estado.
- No cambie el ajuste de los reguladores. Si el régimen del motor es demasiado alto, los componentes del producto pueden dañarse.



Consulte *Datos técnicos en la página 72* para saber el máximo régimen de motor permitido.

- El producto está homologado con el equipo original proporcionado o recomendado por el fabricante.

## Montaje

### Introducción

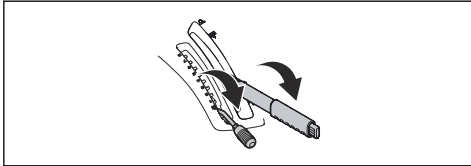


**ADVERTENCIA:** El muelle de tensión de la correa de transmisión puede romperse y causar lesiones. Lleve gafas protectoras cuando monte o retire el equipo de corte.

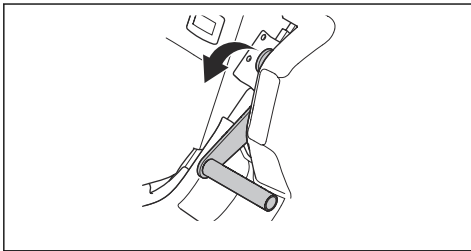
Lea detenidamente las instrucciones de montaje del manual del propietario. Una etiqueta en la parte interior de la cubierta frontal del producto también muestra cómo montar y retirar el equipo de corte.

### Montaje del equipo de corte

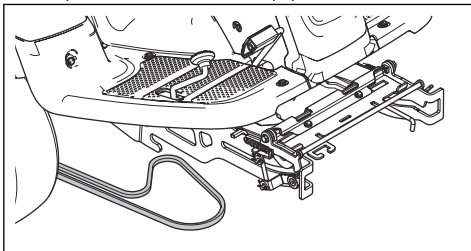
1. Coloque el producto sobre una superficie nivelada.
2. Active el freno de estacionamiento.
3. Coloque la palanca de la altura de corte en la posición de servicio.
4. Ajuste la palanca de elevación para el equipo de corte en la posición de corte.



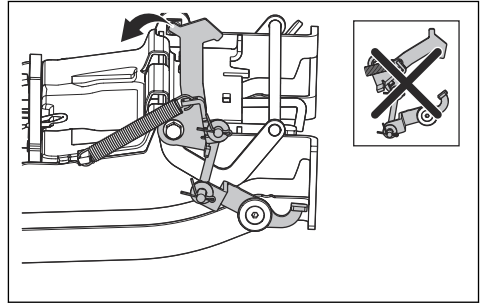
5. Baje la palanca de posición de servicio del sinfín para levantar el sinfín a la posición de servicio.



6. Coloque la correa de transmisión como se muestra en la ilustración para asegurarse de que no queda atrapada cuando monte el equipo de corte.

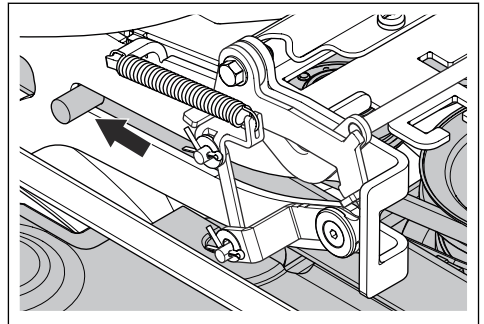


7. Baje el bastidor del equipo. Levante el bloqueo de servicio en posición vertical.

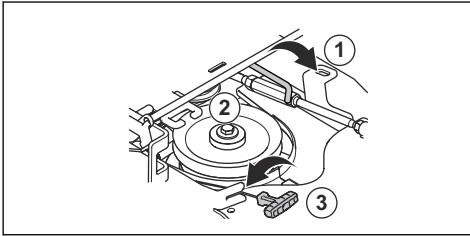


**ADVERTENCIA:** El mecanismo de bloqueo puede causar lesiones en los dedos si no lo utiliza con cuidado. Coloque el bloqueo de servicio en posición vertical y sujete el borde delantero del equipo de corte con las dos manos para continuar con el paso siguiente.

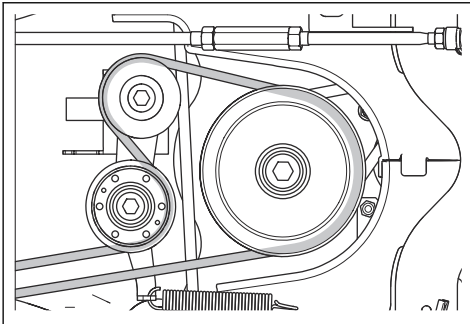
8. Levante el borde delantero del equipo de corte e introdúzcalo dentro del bastidor del equipo. Los conectores del equipo de corte, uno a cada lado, se deben poner en las guías del bastidor del equipo. El bloqueo de servicio se libera automáticamente.



- Levante el tirante de la altura de corte del soporte del tirante y colóquelo en el orificio para el tirante de la altura de corte (1).

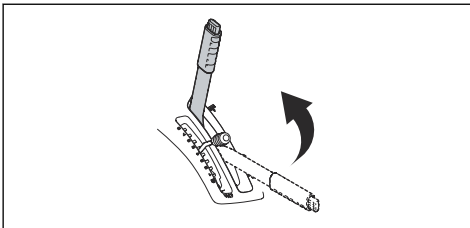


- Coloque la correa de transmisión alrededor de la rueda de tensado (2). Asegúrese de que la correa de transmisión funciona como se ilustra a continuación.

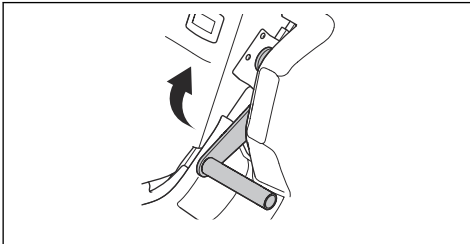


- Coloque el muelle en el soporte de muelle (3).

- Ajuste la palanca de elevación para el equipo de corte en la posición de bloqueo. El equipo de corte se eleva.



- Tire de la palanca de posición de servicio del sinfín a la posición alta.

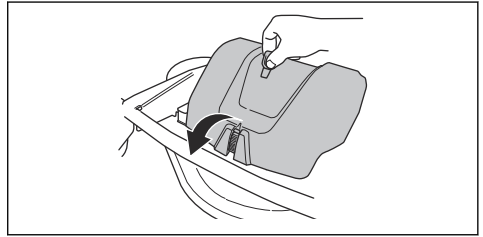


- Monte la cubierta delantera.

## Desmontaje del equipo de corte

- Repita los pasos del 1 al 5 de *Montaje del equipo de corte en la página 49*.

- Suelte la abrazadera de la cubierta frontal colocando la herramienta en la llave de contacto, y levante la cubierta para extraerla.



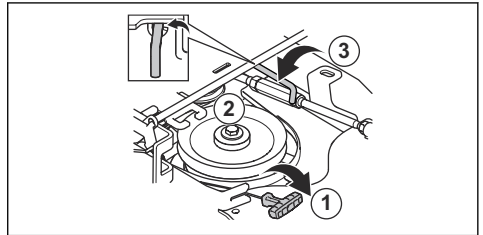
- Tire de la manivela con resorte hacia la derecha para sacarla del soporte del muelle y aflojar la tensión de la rueda de tensado para la correa de transmisión. (1)

- Sujete la manivela con resorte con la mano izquierda y levante la correa de transmisión con la mano derecha.

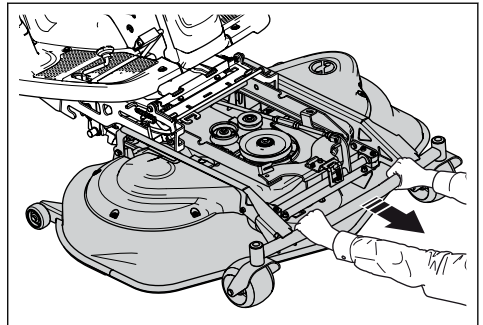
- Tire de la correa de transmisión hacia la parte trasera por debajo del producto. No la coloque en el soporte de la correa (2).

- Coloque la manivela con resorte en el soporte del muelle para evitar que el muelle se caiga.

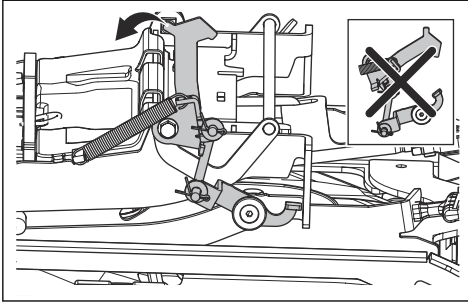
- Levante el tirante de la altura de corte y colóquelo en el soporte para el tirante de la altura de corte (3).



- Sujete el borde delantero del equipo de corte con las dos manos y tire hacia delante hasta que se detenga.



9. Levante el bloqueo de servicio en posición vertical.



**ADVERTENCIA:** El mecanismo de bloqueo puede causar lesiones en los dedos si no lo utiliza con cuidado. Coloque el bloqueo de servicio en posición vertical y sujete el borde delantero del equipo de corte con las dos manos para continuar con el paso siguiente.

10. Levante el borde delantero del equipo de corte hasta que el bloqueo de servicio toque el bastidor y saque el equipo de corte.

## Funcionamiento

### Introducción



**ADVERTENCIA:** Antes de utilizar el producto, debe leer y entender el capítulo sobre seguridad.

### Repostaje de combustible



**ADVERTENCIA:** La gasolina es muy inflamable. Tenga cuidado y haga el repostaje al aire libre (consulte *Seguridad en el uso del combustible en la página 47*).



**ADVERTENCIA:** No utilice el depósito de combustible como punto de apoyo.



**PRECAUCIÓN:** Un tipo de combustible incorrecto puede producir daños en el motor.

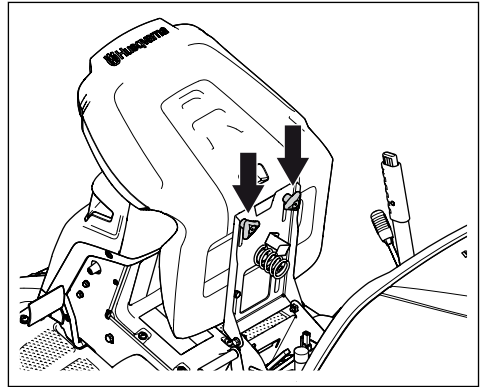
El motor funciona con gasolina con un octanaje mínimo de 91 RON (87 AKI), sin mezcla de aceite. Le recomendamos gasolina a base de alquilatos biodegradable. No utilice gasolina que contenga más de un 10 % de etanol.

- Realice una comprobación del nivel de combustible antes de cada uso y reposte si es necesario.
- No llene el depósito de combustible completamente. Deje un espacio mínimo de 2,5 cm.

### Ajuste del asiento

El asiento se puede inclinar hacia delante. También se puede ajustar longitudinalmente. Afloje las manivelas

situadas debajo del asiento para ajustar el asiento hacia delante o hacia atrás.

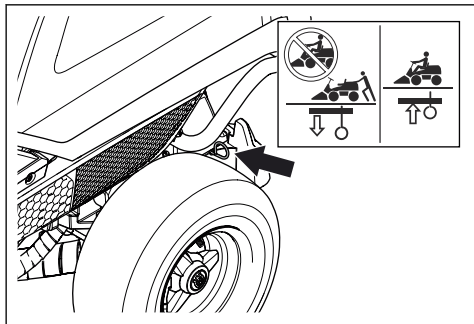


### Engranaje y desengranaje del sistema de transmisión

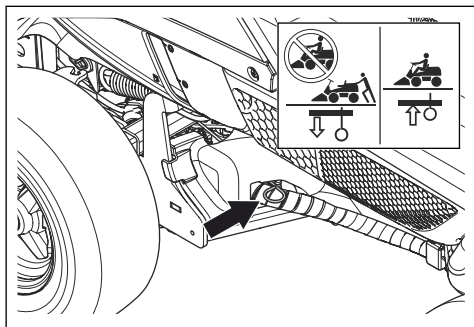
Para mover el producto con el motor apagado, el sistema de transmisión debe estar desengranado. Tire de la palanca del sistema de transmisión hasta el tope para desengranar la transmisión del eje. Empuje la palanca del sistema de transmisión hasta el tope para accionar el motor en el eje. No utilice las posiciones medias.

La palanca del sistema de transmisión para el modelo RC 318T se encuentra detrás de la rueda trasera izquierda. El modelo RC 320Ts AWD tiene una palanca del sistema de transmisión para el eje delantero y otra para el trasero. La palanca del sistema de transmisión

para el eje trasero se encuentra detrás de la rueda trasera izquierda.

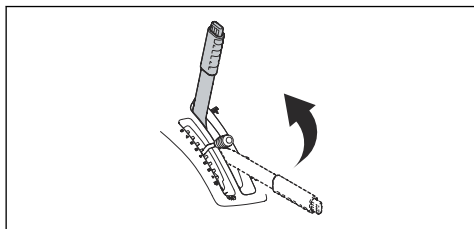


En el RC 320Ts AWD la palanca del sistema de transmisión para el eje delantero se encuentra detrás de la rueda delantera izquierda.



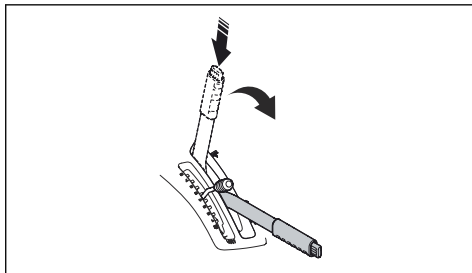
## Elevación y bajada del equipo de corte

Para elevar el equipo de corte a la posición de transporte, tire de la palanca de elevación hacia atrás. Si el motor está encendido, las cuchillas dejan de girar automáticamente.



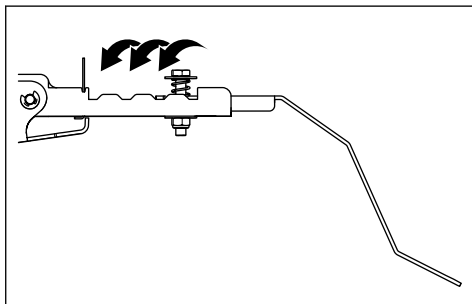
Para bajar el equipo de corte a la posición de corte, pulse el botón de bloqueo y mueva la palanca de

elevación hacia delante. Si el motor está en marcha, las cuchillas empiezan a girar automáticamente.



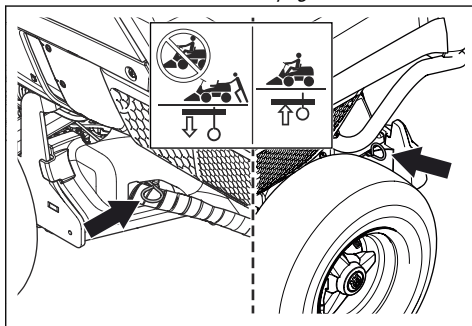
## Ajuste del sensor de recogedor lleno

Si se abre la tapa o se detiene el sinfín antes de que el recogedor esté lleno, es necesario ajustar el sensor de recogedor lleno. El sensor de recogedor lleno tiene 4 posiciones.

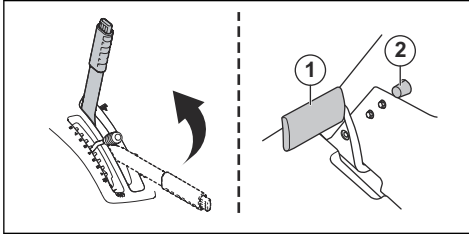


## Arranque del motor

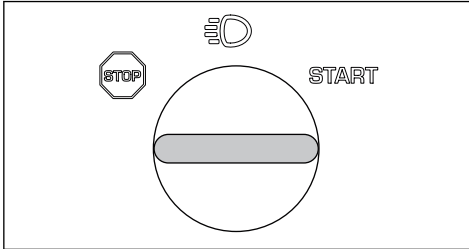
1. Asegúrese de que el sistema de transmisión está engranado, consulte *Engranaje y desengranaje del sistema de transmisión en la página 51*.



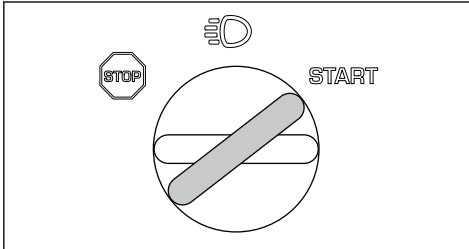
2. Eleve el equipo de corte y aplique el freno de estacionamiento.



3. Gire la llave de contacto hasta la posición de arranque.

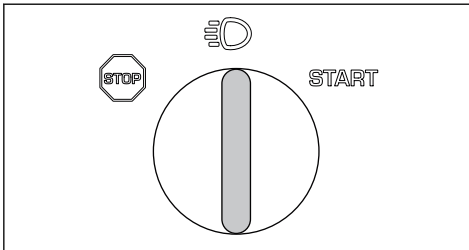


4. Una vez que arranca el motor, suelte inmediatamente la llave de contacto a la posición neutra.

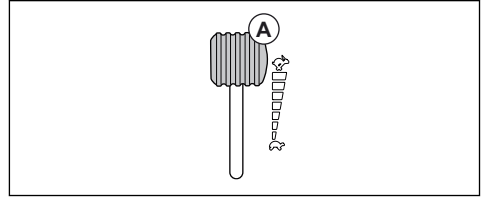


**Nota:** No accione el mecanismo de arranque durante más de cinco segundos cada vez. Si el motor no arranca, espere 15 segundos antes de intentarlo de nuevo.

5. Gire la llave a la posición de luces para que se enciendan los faros.

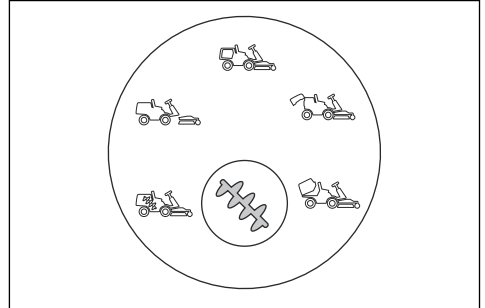


6. Empuje el acelerador a la posición de aceleración máxima (A).

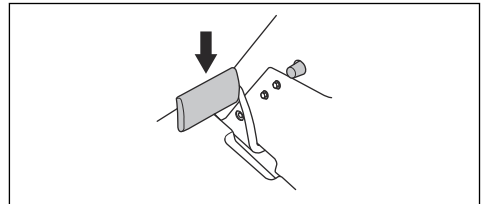


## Uso del producto en modo de recogida

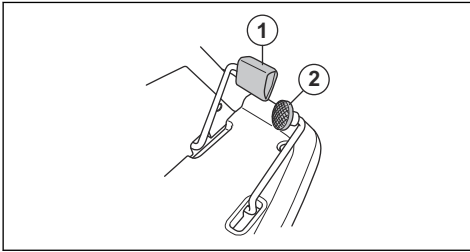
1. Arranque el motor.
2. Asegúrese de que el símbolo que se encuentra en el botón de control del sinfín es de color verde. Esto indica que el producto está en modo de recogida. Consulte *Interruptor de control del sinfín con indicadores LED en la página 41* para obtener información sobre qué hacer si los símbolos que se encuentran en el interruptor de control del sinfín se encienden o si el botón de control del sinfín es de color rojo.



3. Pise el pedal del freno de estacionamiento y, a continuación, suéltelo para liberar el freno de estacionamiento.

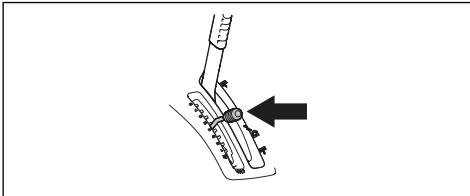


4. Pise con cuidado uno de los pedales de aceleración. Cuanto más pise el pedal, mayor será la velocidad. Utilice el pedal (1) para desplazarse hacia delante y el pedal (2) para desplazarse marcha atrás.

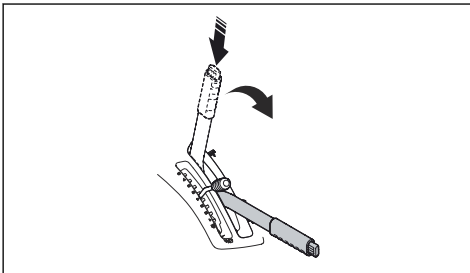


5. Suelte el pedal del freno. En el modelo RC 318T, puede utilizar el pedal del freno/freno de estacionamiento para obtener más potencia de frenado. Esto puede ser necesario para, por ejemplo, frenar en una pendiente.

6. Seleccione la altura de corte (1 - 8) con la palanca de la altura de corte.



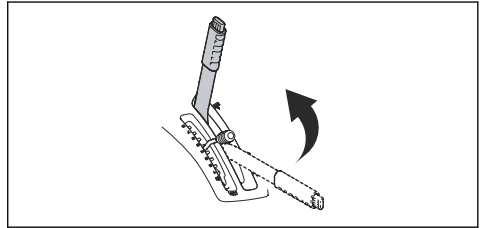
7. Pulse el botón de bloqueo de la palanca de elevación para el equipo de corte y bájela a la posición de corte.



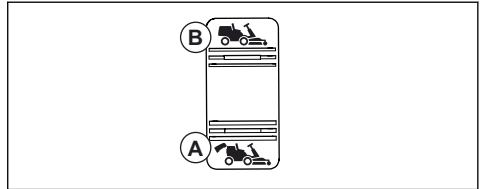
8. Cuando el recogedor está lleno, un símbolo (consulte *Interruptor de control del sinfín con indicadores LED en la página 41*) se ilumina en naranja en el interruptor de control del sinfín y se oye un pitido.

**Nota:** Al llevar protectores auriculares, puede que no escuche el pitido que suena cuando el recogedor está lleno. Compruebe el interruptor de control del sinfín con frecuencia para saber si el recogedor está lleno.

9. Ajuste la palanca de elevación para el equipo de corte en la posición de bloqueo. El equipo de corte se eleva y las cuchillas dejan de girar.



10. Para vaciar el recogedor, pulse la parte trasera del interruptor de inclinación del recogedor. El recogedor se eleva. Mantenga el interruptor pulsado hasta que la tapa se abra y la hierba caiga.



11. Presione la parte delantera del interruptor para bajar el recogedor a la posición de funcionamiento.

**Nota:** Si el recogedor está completamente inclinado o bajado y continúa pulsando el interruptor, escuchará un sonido de golpeteo. Esto indica que el recogedor está en la posición de tope.

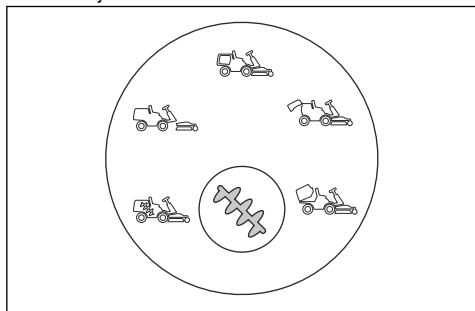


**ADVERTENCIA:** Los dedos pueden quedar aplastados entre el recogedor y el bastidor. No coloque la mano en el bastidor ni en el recogedor cuando el recogedor está bajado.

## Uso del producto en modo sin recogida

1. Arranque el motor.

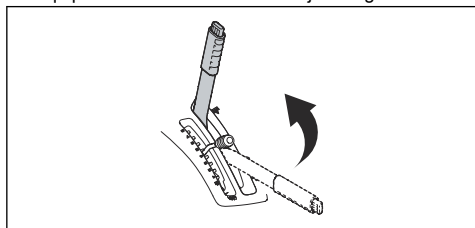
- Asegúrese de que el símbolo que se encuentra en el botón de control del sinfín es de color azul. Esto indica que el producto está en modo sin recogida. Consulte *Interruptor de control del sinfín con indicadores LED en la página 41* para obtener información sobre qué hacer si los símbolos que se encuentran en el interruptor de control del sinfín se encienden o si el botón de control del sinfín es de color rojo.



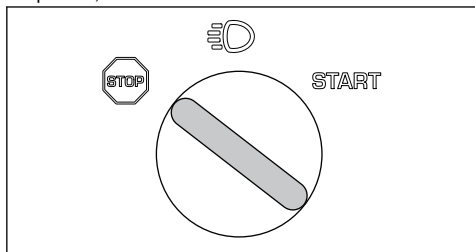
- Repita los pasos del 4 al 8 de *Uso del producto en modo de recogida en la página 53*.
- Cuando empieza a cortar el césped, no se recoge la hierba.

## Parada del motor

- Tire de la palanca de elevación del equipo de corte hacia atrás a su posición de bloqueo y eleve el equipo de corte. Las cuchillas dejan de girar.



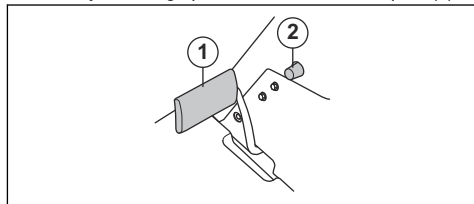
- Gire la llave de contacto hasta la posición de parada, STOP.



- Quando el producto se detenga, aplique el freno de estacionamiento.

## Aplicar y soltar el freno de estacionamiento

- Pise el pedal del freno de estacionamiento (1).
- Pulse y mantenga pulsado el botón de bloqueo (2).



- Mantenga pulsado el botón y suelte el pedal del freno de estacionamiento.
- Para soltar el freno de estacionamiento, vuelva a pisar el pedal del freno de estacionamiento.

## Para obtener un buen resultado de corte

- No corte el césped si está húmedo. La hierba húmeda da peores resultados.
- Empiece con una altura de corte elevada y bájela gradualmente.
- Corte con las cuchillas que giran a alta velocidad (velocidad máxima del motor permitida, consulte *Datos técnicos en la página 72*). Mueva el producto hacia delante a baja velocidad. Si la hierba no está demasiado alta y espesa, también puede obtener un buen resultado de corte a una velocidad superior.
- Le recomendamos que utilice el producto en modo de recogida. Para obtener el mejor resultado de corte en modo sin recogida, corte el césped con frecuencia. Cortar el césped con frecuencia no le llevará más tiempo. La hierba estará más corta y podrá cortarla a mayor velocidad.
- El producto también puede usarse para recoger las hojas del césped. Establezca una altura de corte elevada y configure el producto en modo de recogida.

# Mantenimiento

## Introducción



**ADVERTENCIA:** Antes de realizar cualquier trabajo de mantenimiento, debe leer y entender el capítulo sobre seguridad.

X = Estas instrucciones se indican en este manual de usuario.

O = Estas instrucciones no se indican en este manual de usuario. Deje que un taller de servicio autorizado haga el mantenimiento.

## Programa de mantenimiento

\* = mantenimiento general realizado por el operador. Estas instrucciones no se indican en este manual de usuario.

**Nota:** Si hay más de un intervalo de tiempo marcado en la tabla, el intervalo de tiempo más corto es únicamente para el primer mantenimiento.

Mantenimiento	Mantenimiento diario antes de la puesta en marcha	Intervalo de mantenimiento en horas			
		25	50	100	200
Asegúrese de que las tuercas y los tornillos están bien apretados	*				
Asegúrese de que no haya fugas de combustible o aceite	*				
Limpie según lo establecido en <i>Limpieza del producto en la página 57</i>	X				
Limpie por debajo del equipo de corte	X				
Limpie la superficie alrededor del silenciador	X				
Asegúrese de que la toma de aire de refrigeración del motor no está bloqueada	X				
Asegúrese de que el enfriador de aceite hidráulico no esté bloqueado, solo en el modelo RC 320Ts AWD	X				
Asegúrese de que los dispositivos de seguridad no están defectuosos	X				
Examine y someta los frenos a pruebas	*				
Asegúrese de que el sensor de recogedor lleno funciona correctamente	X				
Compruebe el nivel de aceite del motor	X				
Compruebe el nivel de aceite de la transmisión	X				
Compruebe los cables de la dirección	X				
Examine las cuchillas del equipo de corte		X			
Limpie el equipo de corte, bajo las cubiertas de la correa y por debajo del equipo de corte			X		
Examine los faros		X	X		
Asegúrese de que la presión de los neumáticos es correcta		X	X		
Compruebe el freno de estacionamiento			X		
Cambie el aceite del motor			X	X	
Cambie el filtro de aceite			X	X	
Limpie el filtro de aire		X			



Mantenimiento	Mantenimiento diario antes de la puesta en marcha	Intervalo de mantenimiento en horas			
		25	50	100	200
Cambie el filtro de aire				X	
Cambie el filtro de combustible				X	
Limpie alrededor del sensor de recogedor lleno				X	
Compruebe el paralelismo del equipo de corte		X	X		
Lubrique el tensor de la correa.		X	X		
Examine y ajuste los cables de la dirección		O	O		
Examine el silenciador y el deflector de calor			O		
Examine si hay daños en el equipo de corte			O		
Cambie la bujía				O	
Ajuste el freno de estacionamiento.			O		
Compruebe y ajuste el cable del acelerador			O		
Limpie las aletas de refrigeración del motor y la transmisión			O		
Limpie el motor y la transmisión			O		
Compruebe y ajuste la velocidad de rotación de las ruedas delanteras y traseras, solo en el modelo RC 320Ts AWD		O		O	
Compruebe las correas		O	O		
Compruebe la batería			O		
Compruebe la manguera de combustible. Sustitúyala si es necesario				O	
Cambie el aceite de la transmisión			O		O
Cambie el filtro de la transmisión, solo en el modelo RC 320Ts AWD			O		O
Cambie el filtro enroscable, servo, solo en el modelo RC 320Ts AWD			O		O

## Limpieza del producto

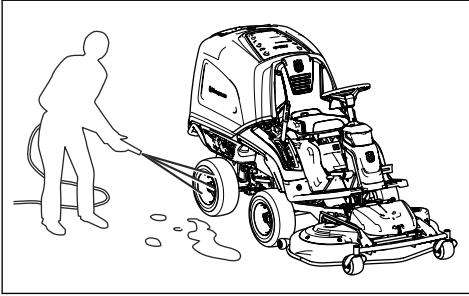


**PRECAUCIÓN:** No utilice un equipo de limpieza de alta presión o de vapor. El agua puede introducirse en los cojinetes y las conexiones eléctricas y provocar corrosión y daños al producto.

Limpie el producto inmediatamente después de usarlo.

- Antes de detener el motor, deje que el sinfín funcione vacío durante 10 segundos para quitar los restos de hierba.
- No limpie las superficies calientes, como el motor, el silenciador y el sistema de escape. Espere hasta que las superficies estén frías y, a continuación, retire la hierba o la suciedad.
- Antes de limpiar con agua, utilice un cepillo para eliminar la suciedad y los restos de hierba de la transmisión y el área circundante, la toma de aire de la transmisión y el motor.
- Use agua corriente para limpiar el producto. No utilice un equipo de limpieza a alta presión.
- No dirija el chorro hacia los componentes eléctricos o los cojinetes. Los aditivos de limpieza suelen aumentar los daños.
- Para limpiar el equipo de corte, vuelva a colocarlo en la posición de servicio e introduzca agua mediante una manguera.
- Limpie con una manguera con agua la superficie interior del recogedor.
- Limpie el sinfín y sus salidas.

- Cuando el producto esté limpio, arranque el producto durante un corto período para drenar el agua restante.



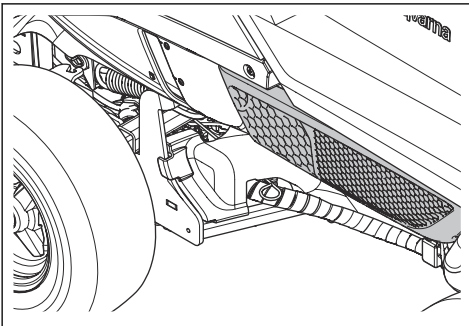
### Limpieza del motor y el silenciador

Mantenga el motor y el silenciador limpios, sin restos de hierba ni suciedad. Los restos de hierba impregnados de combustible o aceite en el motor pueden aumentar el riesgo de incendio y el riesgo de que el motor se caliente en exceso. Deje que el motor se enfríe antes de limpiarlo. Limpie con agua y un cepillo.

Los restos de hierba alrededor del silenciador se secan rápidamente y son un riesgo de incendio. Utilice un cepillo o retire los restos de hierba con agua cuando el silenciador esté frío.

### Limpieza de la toma de aire de refrigeración del motor

Asegúrese de que la toma de aire de refrigeración del motor no está bloqueada. Retire la hierba y la suciedad con un cepillo.

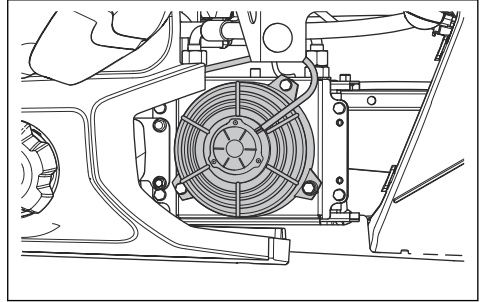


### Limpieza del enfriador del aceite hidráulico

Solo para RC 320Ts AWD.

Asegúrese de que el ventilador del enfriador del aceite hidráulico no está bloqueado y que la zona que rodea el

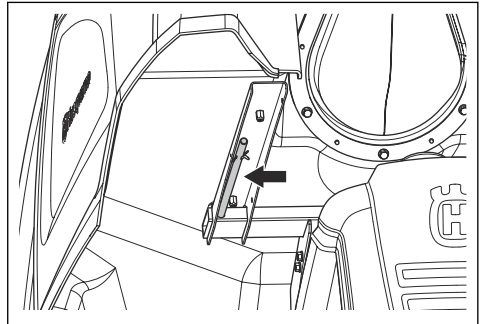
enfriador del aceite hidráulico esté limpia. Retire la hierba y la suciedad con un cepillo.



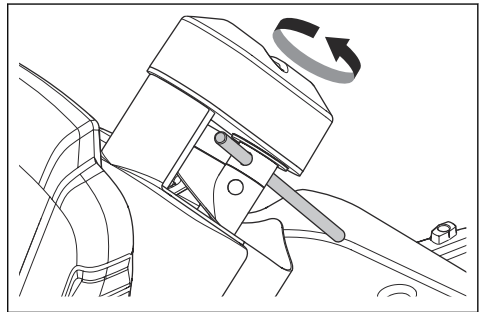
### Desbloqueo del sinfín

Si el símbolo del botón del sinfín es de color rojo y el producto emite un pitido continuo, indica que el sinfín está bloqueado. La obstrucción se debe eliminar manualmente.

1. Inclina el recogedor.
2. Tire de la herramienta de mantenimiento del sinfín para soltarla de la parte inferior del recogedor.



3. Coloque la herramienta de mantenimiento del sinfín en el orificio de la parte superior del sinfín.



4. Sujete la herramienta de mantenimiento del sinfín y gire el sinfín hacia la izquierda 5 vueltas completas. La causa de la obstrucción se envía hacia abajo y fuera del sinfín.

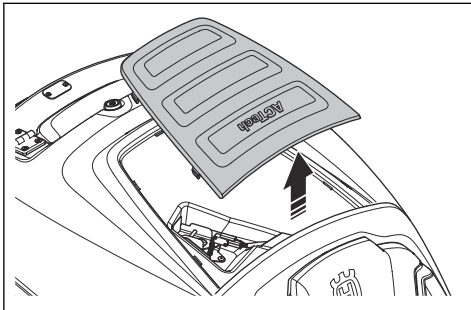
5. Tire de la herramienta de mantenimiento del sinfín para sacarla y vuelva a colocarla en su lugar en el soporte de la parte inferior del recogedor.
6. Baje el recogedor a la posición de funcionamiento y arranque el motor.
7. Si el símbolo del botón del sinfín es de color rojo y el producto emite un sonido cuando el motor arranca, detenga el motor.
8. Coloque el equipo de corte en posición de servicio y elimine la obstrucción de la entrada del sinfín manualmente.
9. Coloque el equipo de corte en la posición de corte y arranque el motor.
10. Si el símbolo del botón del sinfín es de color rojo y el producto emite un sonido cuando el motor arranca, detenga el motor.
11. Deje que un taller de servicio autorizado le ayude.

**Nota:** Cuando la obstrucción se retira, el producto se inicia en modo sin recogida y tendrá que volver a seleccionar el modo de recogida.

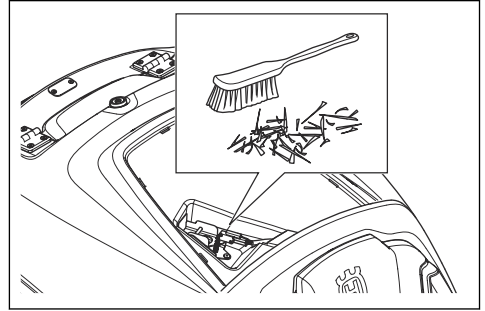
## Limpiar alrededor del sensor de recogedor lleno

Después de muchas horas de funcionamiento, se puede acumular hierba alrededor del sensor de recogedor lleno. Si el interruptor de control del sinfín no identifica cuando está lleno el recogedor, es necesario limpiar alrededor del sensor.

1. Abra la tapa del recogedor.
2. Afloje los clips de la cubierta en la superficie superior interna del recogedor.
3. Retire la cubierta de la parte superior del recogedor.



4. Con la mano o un cepillo, retire la hierba alrededor del sensor de recogedor lleno.



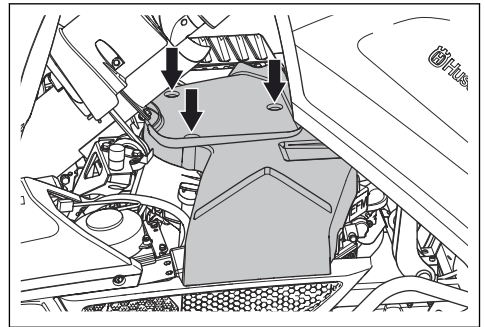
5. Vuelva a colocar la cubierta. En primer lugar, coloque el extremo delantero de la cubierta y luego empuje la cubierta hacia abajo hasta que encaje en su posición.

**Nota:** Consulte a un taller de servicio si el problema persiste incluso cuando el sensor de recogedor lleno está limpio.

## Para retirar las cubiertas

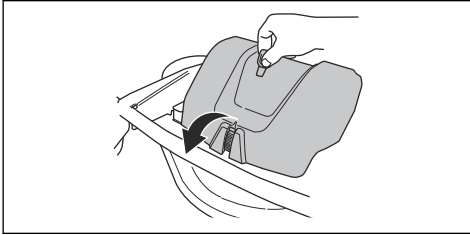
### Cubierta del motor

Incline el recogedor para acceder a la cubierta del motor, retire los 3 tornillos y levante la cubierta para extraerla.



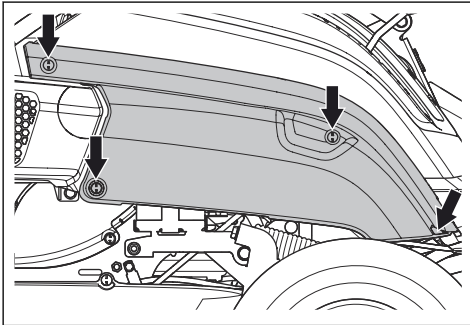
## Cubierta frontal

Suelte la abrazadera de la cubierta frontal colocando la herramienta en la llave de contacto, y levante la cubierta para extraerla.



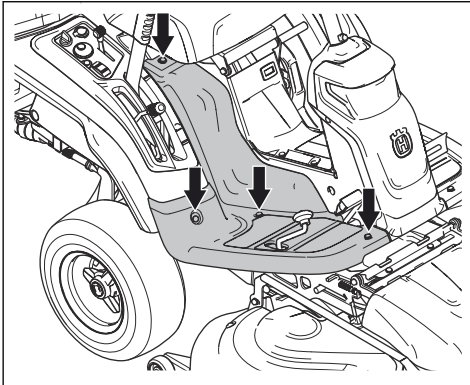
## Cubierta lateral

Retire los 4 tornillos y levante la cubierta para extraerla.



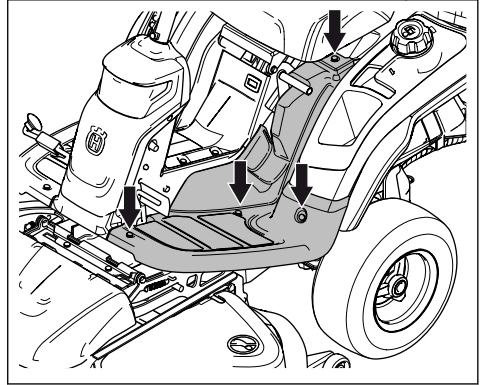
## Placa reposapiés derecha

Gire la perilla del pedal de marcha atrás para extraerlo. Retire los 4 tornillos y la placa reposapiés.



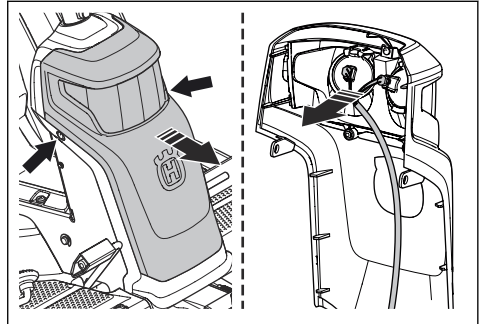
## Placa reposapiés izquierda

Retire los 4 tornillos y la placa reposapiés.



## Sustitución de un faro roto

1. Retire los 2 tornillos de la cubierta y extráigala.



2. Desconecte los cables del faro roto.

3. Sustituya la bombilla y conecte los cables a la bombilla nueva. Utilice el tipo de faro según lo establecido en *Datos técnicos en la página 72*.

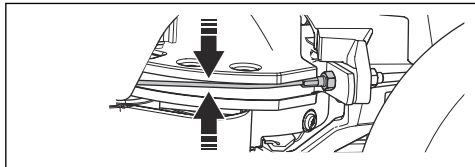
4. Fije la cubierta y apriete los tornillos.

## Examinar los cables de la dirección

La tensión de los cables de la dirección puede disminuir después de un período de tiempo. Esto hace que el ajuste de la dirección cambie.

Examine y ajuste los cables de la dirección de la siguiente manera:

1. Los cables de la dirección están apretados correctamente si se pueden mover manualmente 5 mm hacia arriba o hacia abajo en la ranura de la columna de dirección.



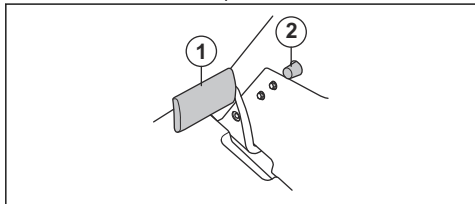
2. Si los cables están demasiado flojos, deje que un taller de servicio autorizado los ajuste.

## Comprobación del freno de estacionamiento

1. Estacione el producto sobre una superficie dura con pendiente.

**Nota:** No estacione el producto sobre una pendiente con hierba cuando realice una comprobación del freno de estacionamiento.

2. Pise el pedal del freno de estacionamiento (1).
3. Pulse y mantenga pulsado el botón de bloqueo (2) y suelte el pedal del freno de estacionamiento mientras el botón está pulsado.

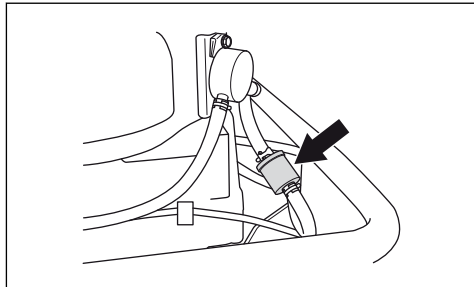


4. Si el producto empieza a moverse, deje que un taller de servicio autorizado ajuste el freno de estacionamiento.
5. Pise el pedal del freno de estacionamiento nuevamente para soltar el freno de estacionamiento.

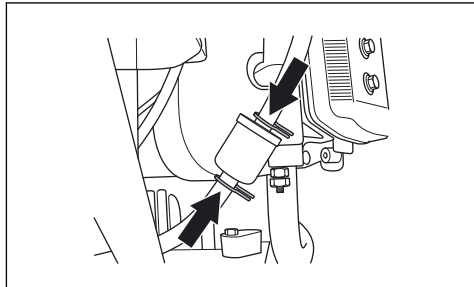
## Volver a colocar el filtro de combustible

1. Incline el recogedor para acceder al filtro de combustible.
2. Utilice un par de alicates planos para quitar las presillas de la manguera del filtro.

3. Retire el filtro de los extremos de la manguera.

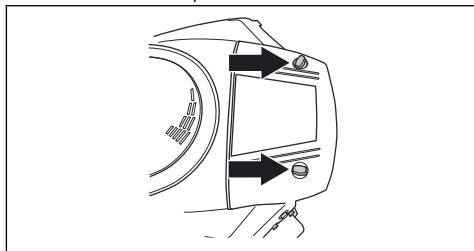


4. Presione el nuevo filtro en los extremos de la manguera. Aplique líquido detergente a los extremos del filtro para facilitar la conexión.
5. Empuje las presillas de la manguera contra el filtro.

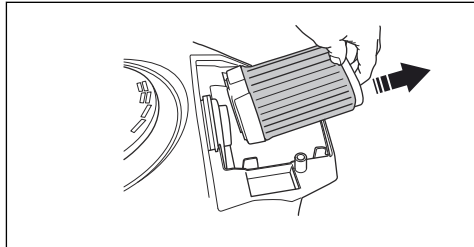


## Limpeza y cambio del filtro de aire

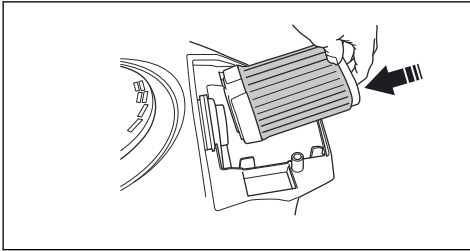
1. Abra la cubierta del motor.
2. Afloje los pomos que sujetan la cubierta del filtro y levante la cubierta para extraerla.



3. Levante el extremo del filtro de aire para extraerlo.



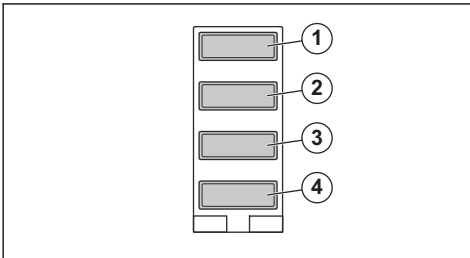
- Sacuda el filtro de papel contra una superficie dura para limpiarlo. No utilice aire comprimido.
- Si el filtro de papel no queda limpio, cámbielo.
- Coloque el filtro de aire de nuevo en la manguera de aire.



- Empuje el filtro de aire a la posición correcta.
- Fije la cubierta del filtro y apriete los pomos.

## Sustitución de un fusible

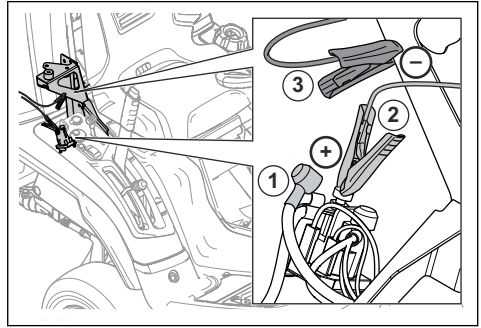
- Retire la cubierta lateral derecha, consulte *Cubierta lateral en la página 60*.
- Sustituya el fusible quemado por uno nuevo. Consulte la ilustración. (1) Contacto, 15 A. (2) Control del sinfín, 7,5 A. (3) Actuador, 30 A. (4) Toma de corriente de 12 V, 7,5 A.



## Carga de la batería

- Incline el asiento hacia delante.
- Retire el tapón de goma (1) del solenoide que está conectado al cable rojo de la batería.

- Conecte el cable rojo (+) desde el cargador de la batería al solenoide (2).



**PRECAUCIÓN:** Para evitar cortocircuitos, asegúrese de que el cable rojo del cargador de la batería está conectado al solenoide correcto.

- Conecte el cable negro (-) desde el cargador de la batería a una pieza metálica cincada, como se muestra en la ilustración (3).



**ADVERTENCIA:** Si se usa el tipo de cargador incorrecto, la batería y el sistema eléctrico pueden deteriorarse y provocar lesiones. Utilice únicamente el cargador especificado por Husqvarna para este tipo de batería (LiFePO<sub>4</sub>).

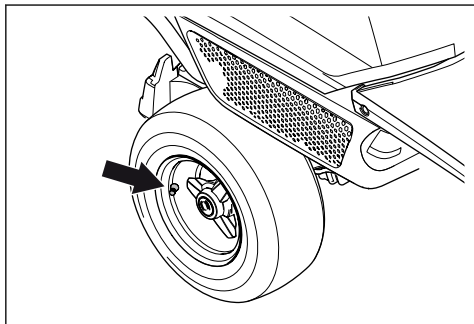
- Ponga en marcha el cargador de la batería.

**Nota:** Si la tensión de la batería es demasiado baja, la batería entra en modo de protección. El cargador de la batería no puede detectar la batería y no se carga. Si sucede esto, pulse y mantenga pulsado el botón de restablecimiento del cargador de la batería durante 10 segundos hasta que comience a cargar. Más información en las instrucciones que se suministran con el cargador de la batería.

- Cuando la batería esté cargada, detenga el cargador y desconéctelo de la batería.
- Vuelva a colocar el tapón de goma (1) en el solenoide.

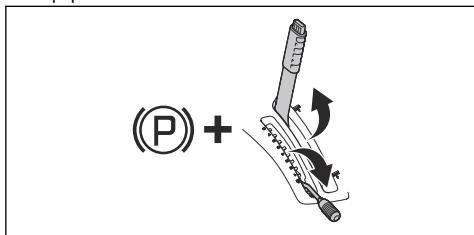
## Ajuste de la presión de los neumáticos

La presión de los neumáticos correcta es de 150 kPa (1,5 bares / 21,8 PSI) en las 4 ruedas.

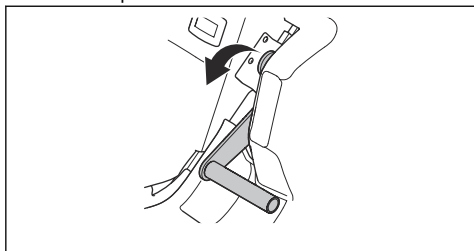


## Colocar el equipo de corte en posición de servicio

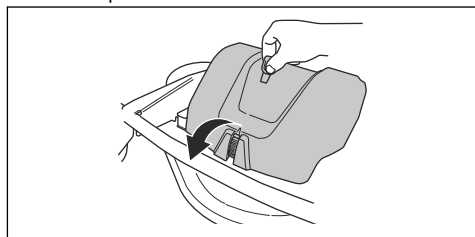
1. Estacione el producto en un suelo nivelado.
2. Active el freno de estacionamiento.
3. Coloque la palanca de la altura de corte en la posición de servicio.
4. Tire de la palanca de elevación del equipo de corte hacia atrás a su posición de bloqueo y eleve el equipo de corte.



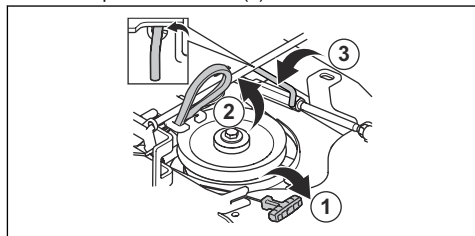
5. Baje la palanca de control del sinfín para levantar el sinfín a la posición de servicio.



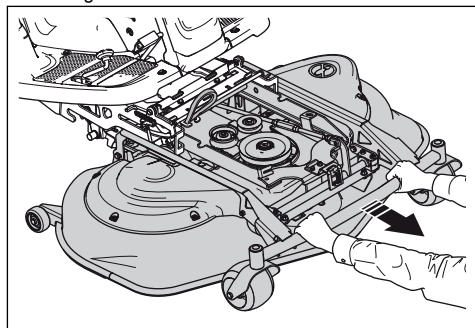
6. Suelte la abrazadera de la cubierta frontal colocando la herramienta en la llave de contacto, y levante la cubierta para extraerla.



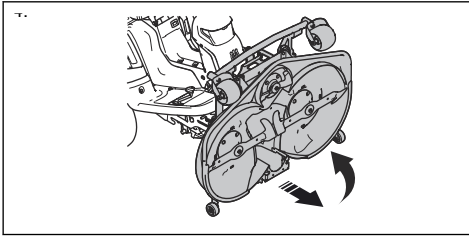
7. Tire de la manivela con resorte (1) hacia la derecha y sáquela del soporte de muelle para aflojar la tensión de la correa de transmisión.
8. Sujete la manivela con resorte con la mano izquierda y levante la correa de transmisión con la mano derecha.
9. Coloque la correa de transmisión en el soporte de la correa (2).
10. Coloque la manivela con resorte en el soporte del muelle para evitar que el muelle se caiga.
11. Levante el tirante de la altura de corte y colóquelo en el soporte del tirante. (3)



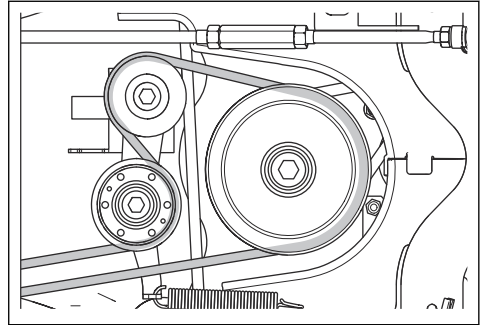
12. Sujete el borde delantero del equipo de corte con las dos manos y tire hacia delante hasta que se detenga.



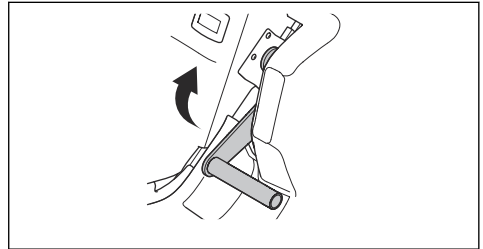
13. Levante el equipo de corte en posición vertical hasta que se oiga un clic. El equipo de corte se bloquea automáticamente en la posición vertical.



5. Sujete la manivela con resorte y extraiga la correa de transmisión del soporte.
6. Coloque la correa de transmisión alrededor de la rueda de tensado (2). Asegúrese de que la correa de transmisión está instalada como se muestra en la ilustración.



7. Coloque el muelle en el soporte de muelle (3).
8. Tire de la palanca de control del sinfín en la posición de mantenimiento.



9. Monte la cubierta delantera.
10. Coloque la palanca de altura de corte en cualquiera de las 8 posiciones.

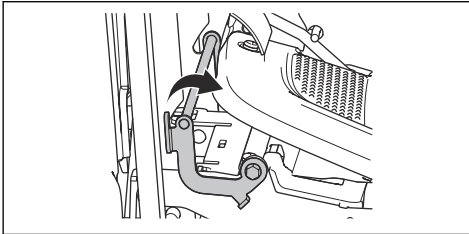
## Comprobación y ajuste de la presión sobre el suelo del equipo de corte

Para obtener los mejores resultados de corte es importante tener una presión correcta del equipo de corte en la superficie subyacente.

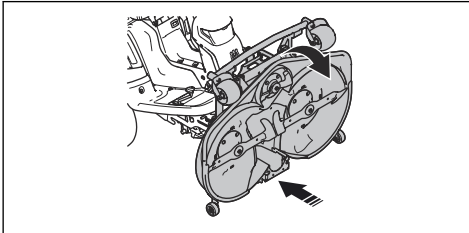
1. Asegúrese de que la presión de aire de los neumáticos es de 150 kPa (1,5 bares / 21,8 psi).
2. Estacione el cortacésped en una superficie nivelada.
3. Baje el equipo a la posición de corte.

## Colocación del equipo de corte en posición de corte

1. Sujete el borde delantero del equipo de corte con la mano izquierda.
2. Afloje el bloqueo con la mano derecha.

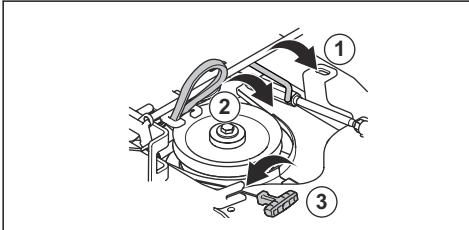


3. Doble hacia abajo el equipo de corte y presiónelo hasta que se detenga.



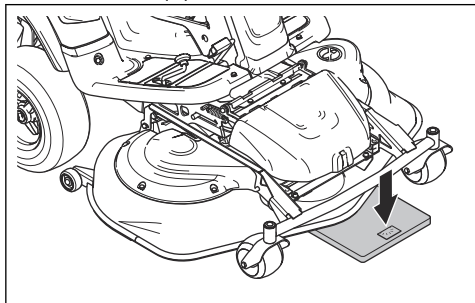
**PRECAUCIÓN:** La correa de transmisión puede quedar atrapada debajo del equipo de corte. Tire de la correa de transmisión en su soporte antes de encajar el equipo de corte.

4. Levante el tirante de la altura de corte del soporte del tirante y colóquelo en el orificio (1).

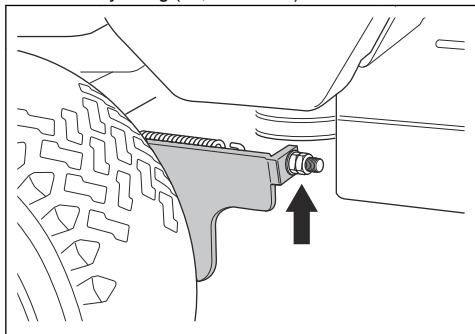




- Coloque una báscula de baño debajo del borde delantero del equipo de corte.



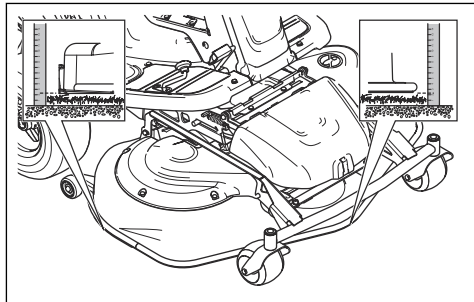
- Para asegurarse de que las ruedas de soporte no soportan peso, coloque un bloque entre el bastidor y la báscula.
- Para ajustar la presión sobre el suelo, gire los tornillos de ajuste ubicados detrás de las ruedas delanteras a los lados izquierdo y derecho.
- Gire los tornillos de los lados izquierdo y derecho hasta que la presión sobre el suelo se encuentre entre 12 y 15 kg (26,5-33 libras).



### Comprobación del paralelismo del equipo de corte

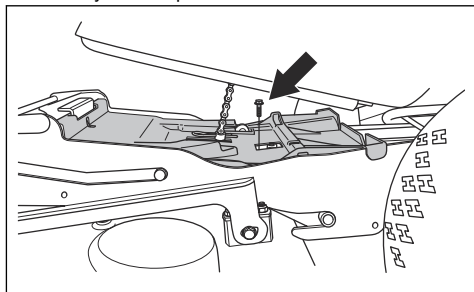
- Asegúrese de que la presión de aire de los neumáticos es de 150 kPa (1,5 bares / 21,8 psi).
- Estacione el cortacésped en una superficie nivelada.
- Baje el equipo a la posición de corte.

- Mida la distancia entre el suelo y los bordes delantero y trasero del equipo de corte, asegúrese de que el borde trasero esté de 4 a 6 mm (1/5") más alto que el borde delantero.

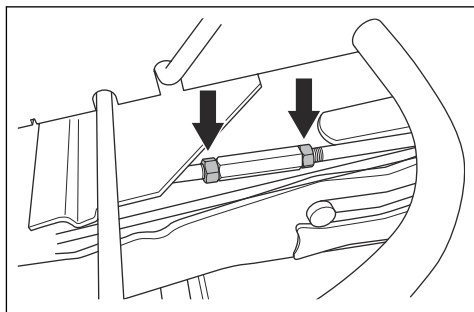


### Ajuste del paralelismo del equipo de corte

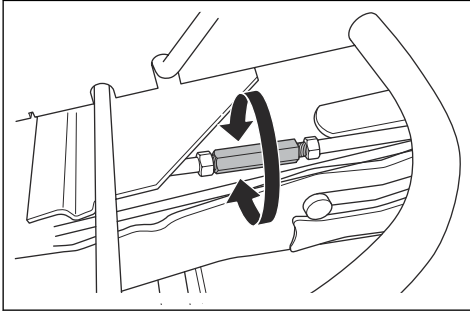
- Retire la cubierta delantera y la placa reposapiés derecha.
- Retire los tornillos que sujetan la protección de la correa y retire la protección de la correa.



- Afloje las tuercas del puntal del mecanismo de elevación.



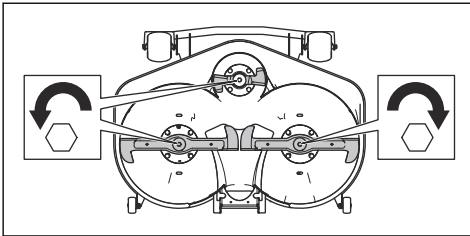
4. Gire puntal del mecanismo de elevación para estirar el tirante o hacerlo más corto. Extienda el tirante para elevar el borde trasero de la cubierta. Acorte el tirante para bajar el borde trasero de la cubierta.



5. Apriete las tuercas del puntal del mecanismo de elevación cuando haya realizado el ajuste.
6. Revise el paralelismo. Consulte *Comprobación del paralelismo del equipo de corte en la página 65*.
7. Fije la protección de la correa y apriete los tornillos.
8. Fije la placa reposapiés derecha y la cubierta delantera.

## Examinar las cuchillas

Coloque el equipo de corte en la posición de servicio. Observe las cuchillas para ver si están dañadas y, si es necesario, afílarlas. Apriete los pernos de las cuchillas con un par de apriete de 60 Nm, en el sentido de las flechas de la ilustración.



**PRECAUCIÓN:** Las cuchillas dañadas o mal equilibradas causan un desequilibrio que puede dañar el producto. Sustituya las cuchillas dañadas. Deje que un taller de servicio autorizado le ayude a afilar y equilibrar las cuchillas romas.

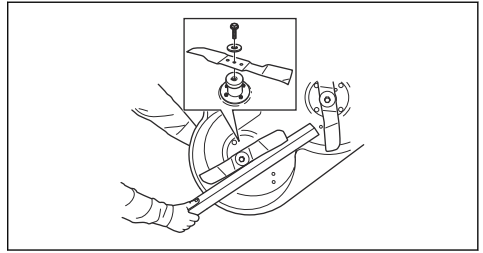
## Sustitución de las cuchillas



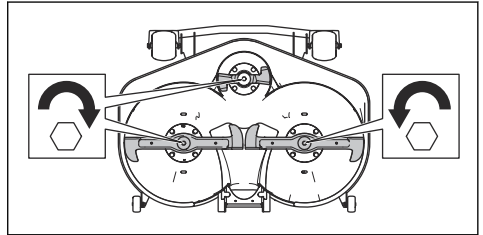
**PRECAUCIÓN:** Las cabezas de los pernos pueden dañarse si intenta aflojarlos en el sentido incorrecto.

1. Coloque el equipo de corte en la posición de servicio.

2. Bloquee la cuchilla con un bloque de madera.



3. Afloje y extraiga los pernos de las cuchillas, las arandelas y la cuchilla. Afloje los pernos de las cuchillas en el sentido de las flechas de la ilustración.



4. Monte las nuevas cuchillas con los extremos en ángulo orientados al equipo de corte.

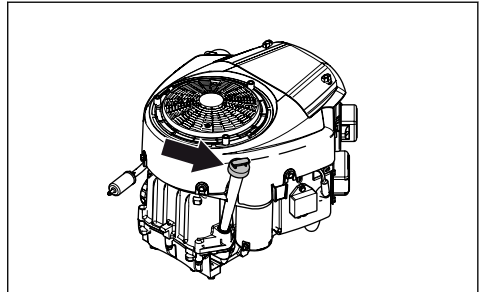


**ADVERTENCIA:** Usar un tipo de cuchillas incorrecto puede causar que el equipo de corte arroje objetos y causar así lesiones graves. Utilice únicamente las cuchillas que aparecen en *Datos técnicos en la página 72*.

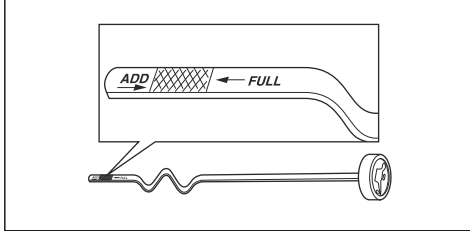
5. Monte las cuchillas con las arandelas y los pernos con un par de apriete de 60 Nm.

## Comprobación del nivel de aceite del motor

1. Estacione el producto sobre un suelo nivelado y detenga el motor.
2. Abra la cubierta del motor.
3. Afloje la varilla de nivel y extráigala.



4. Limpie el aceite de la varilla de nivel de aceite.
5. Vuelva a colocar la varilla y apriétela.
6. Afloje y saque la varilla de nivel y lea el nivel de aceite.
7. El nivel de aceite debe estar entre las marcas que aparecen en la varilla de nivel. Si el nivel está cerca de la marca de añadir "ADD", llene de aceite hasta la marca de totalmente lleno "FULL".



8. Reponga el aceite a través del orificio de la varilla de nivel. Reponga el aceite lentamente.

**Nota:** Consulte *Datos técnicos en la página 72* para ver los tipos de aceite de motor recomendados. No mezcle diferentes tipos de aceite.

9. Apriete la varilla de nivel correctamente antes de arrancar el motor. Ponga en marcha la máquina con el motor al ralentí durante 30 segundos aproximadamente. Pare el motor. Espere 30 segundos y vuelva a comprobar el nivel de aceite.

## Cambio del aceite del motor y el filtro de aceite

Si el motor está frío, arránquelo durante 1 o 2 minutos antes de drenar el aceite del motor. Esto calienta el aceite del motor y facilita el drenaje.

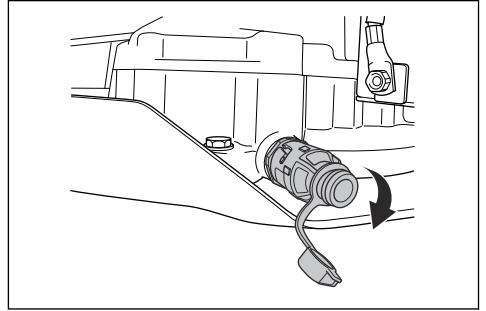


**ADVERTENCIA:** No deje el motor funcionando más de 1 o 2 minutos antes de drenar el aceite. El aceite del motor se calienta mucho y puede causar quemaduras graves. Deje que el motor se enfríe antes de vaciar el aceite del motor.

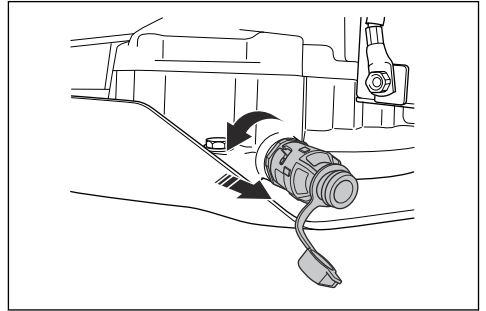


**ADVERTENCIA:** Si se derrama aceite del motor sobre el cuerpo, lávese con agua y jabón.

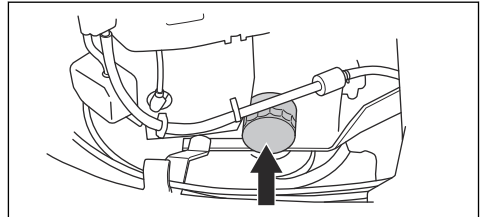
1. Abra la cubierta de plástico del extremo del tapón de vaciado.



2. Para facilitar el drenaje del aceite sin derramarlo, acople, por ejemplo, una manguera de plástico al extremo del tapón de vaciado.
3. Coloque un recipiente debajo del tapón de vaciado de aceite.
4. Quite la varilla de nivel.
5. Gire el tapón de vaciado hacia la izquierda y tire de él para abrirlo.



6. Deje que el aceite se vierta en el recipiente.
7. Presione el tapón de vaciado y gírelo hacia la derecha para cerrarlo.
8. Retire la manguera de plástico y vuelva a colocar la cubierta del tapón en el tapón de vaciado del aceite.
9. Gire el filtro de aceite hacia la izquierda para extraerlo.



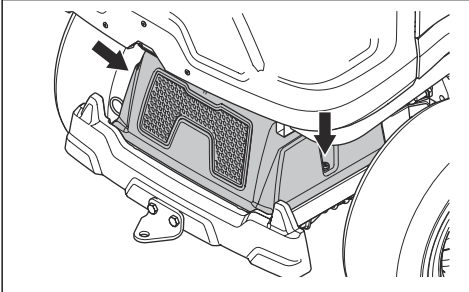
10. Lubrique ligeramente la junta de goma del nuevo filtro de aceite con aceite nuevo.

11. Para montar el filtro de aceite, gírelo hacia la derecha con la mano hasta que la junta de goma esté en su posición y, a continuación, apriete media vuelta más.
12. Llene con aceite nuevo según lo establecido en *Comprobación del nivel de aceite del motor en la página 66*.
13. Arranque el motor y déjelo al ralentí durante 3 minutos.
14. Pare el motor y asegúrese de que el filtro de aceite no tenga fugas.
15. Llene el depósito con aceite para compensar el aceite del filtro de aceite nuevo.

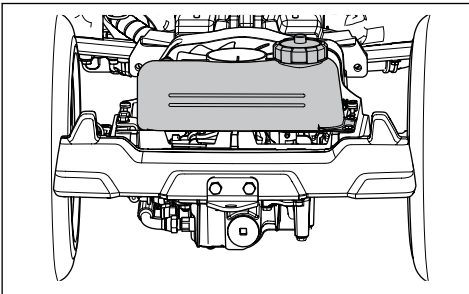
**Nota:** Para un desechado seguro del aceite de motor usado, consulte *Eliminación en la página 71*.

## Comprobación del nivel de aceite de la transmisión

1. Quite los dos tornillos, uno a cada lado, y levante la cubierta de la transmisión.



2. Asegúrese de que el nivel de aceite del depósito de aceite de la transmisión se encuentra entre las dos líneas horizontales del depósito.

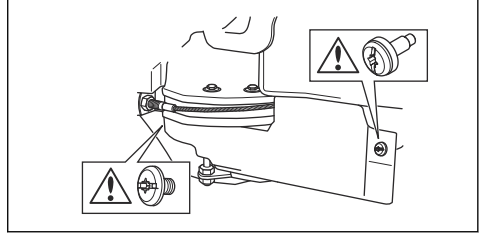


3. Si el nivel de aceite está por debajo de la línea inferior, reponga el aceite de motor, pero NO llene el depósito por encima de la línea superior. Consulte *Datos técnicos en la página 72* para conocer el aceite recomendado para el RC 318T y el RC 320Ts AWD. El RC 320Ts AWD debe usar un aceite sintético.

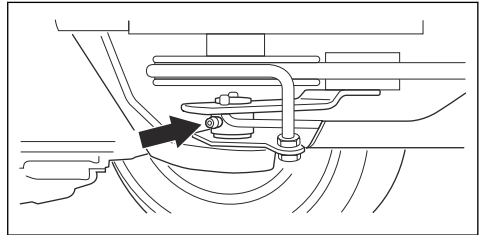
## Lubricación del tensor de la correa

El tensor de la correa se debe lubricar con frecuencia con grasa de disulfuro de molibdeno de buena calidad.

1. Retire los 2 tornillos que sujetan la protección de la correa y extraígalas.



2. Lubrique con una pistola de engrase una boquilla del lado derecho por debajo de la polea de la correa inferior, hasta que la grasa sea expulsada.



3. Fije la protección de la correa y apriete los 2 tornillos.

## Resolución de problemas

### Programa de resolución de problemas

Si no puede encontrar una solución a sus problemas en este manual del propietario, hable con su taller de servicio de Husqvarna.

<b>Problema</b>	<b>Causa</b>
El motor de arranque no arranca el motor	El freno de estacionamiento no está accionado. Consulte <i>Circuito de seguridad en la página 46</i> .
	La palanca de elevación del equipo de corte se encuentra en la posición de corte. Consulte <i>Circuito de seguridad en la página 46</i> .
	El fusible principal está fundido. Consulte <i>Sustitución de un fusible en la página 62</i> .
	El contacto está defectuoso.
	La conexión entre el cable y la batería no es buena. Consulte <i>Seguridad de la batería en la página 48</i> .
	La batería está demasiado débil. Consulte <i>Carga de la batería en la página 62</i> .
	El motor de arranque está defectuoso.
El motor no arranca cuando el motor de arranque arranca el motor	No hay combustible en el depósito de combustible. Consulte <i>Repostaje de combustible en la página 51</i> .
	La bujía está defectuosa.
	El cable de encendido está defectuoso.
	Hay suciedad en el carburador o la tubería de combustible.
El motor no funciona correctamente	La bujía está defectuosa.
	El carburador no está bien ajustado.
	El filtro de aire está obstruido. Consulte <i>Limpieza y cambio del filtro de aire en la página 61</i> .
	La ventilación del depósito de combustible está bloqueada.
	Hay suciedad en el carburador o la tubería de combustible.
Aparentemente el motor no recibe alimentación	El filtro de aire está obstruido. Consulte <i>Limpieza y cambio del filtro de aire en la página 61</i> .
	La bujía está defectuosa.
	Hay suciedad en el carburador o la tubería de combustible.
	El cable del acelerador está ajustado incorrectamente.
La transmisión no tiene suficiente potencia.	La toma de aire de refrigeración de la transmisión o las bridas de refrigeración están bloqueadas.
	El ventilador de la transmisión está dañado.
	El ventilador de refrigeración del aceite hidráulico (solo RC 320Ts AWD) se bloquea. Consulte <i>Limpieza del enfriador del aceite hidráulico en la página 58</i> .
	El ventilador de refrigeración del aceite hidráulico (solo RC 320Ts AWD) está dañado.
	No hay aceite en la transmisión o el nivel de aceite es demasiado bajo. Consulte <i>Comprobación del nivel de aceite de la transmisión en la página 68</i> .

Problema	Causa
La batería no se carga	La batería está defectuosa. Consulte <i>Seguridad de la batería en la página 48</i> .
	La conexión de los conectores de los cables de los terminales de la batería está en mal estado. Consulte <i>Seguridad de la batería en la página 48</i> .
	La batería está en modo de protección. Consulte <i>Carga de la batería en la página 62</i> .
Se producen vibraciones en el producto	El recogedor está lleno. El operador ha ignorado la señal de recogedor lleno o el sensor del recogedor lleno se ha configurado en la posición incorrecta. Consulte <i>Ajuste del sensor de recogedor lleno en la página 52</i> .
	El producto se utiliza en césped largo, espeso o húmedo en modo sin recogida. Consulte <i>Para obtener un buen resultado de corte en la página 55</i> .
	Las cuchillas están flojas. Consulte <i>Examinar las cuchillas en la página 66</i> .
	Una cuchilla o más están desequilibradas. Consulte <i>Examinar las cuchillas en la página 66</i> .
	El sinfín está dañado.
	El motor está suelto.
El resultado de corte no es satisfactorio.	Las cuchillas están romas. Consulte <i>Sustitución de las cuchillas en la página 66</i> .
	El césped está largo o húmedo. Consulte <i>Para obtener un buen resultado de corte en la página 55</i> .
	El equipo de corte está torcido.
	El equipo de corte presenta una obstrucción por hierba. Consulte <i>Limpieza del producto en la página 57</i> .
	La presión de los neumáticos es distinta en el lado derecho e izquierdo. Consulte <i>Ajuste de la presión de los neumáticos en la página 63</i> .
	El producto funciona a una velocidad demasiado alta. Consulte <i>Para obtener un buen resultado de corte en la página 55</i> .
	El régimen del motor es demasiado bajo. Consulte <i>Para obtener un buen resultado de corte en la página 55</i> .
	La correa de transmisión resbala.

## Transporte, almacenamiento y eliminación

### Transporte

- El producto es pesado y puede causar lesiones por aplastamiento. Tenga cuidado al cargarlo o descargarlo de un vehículo o remolque.
- Utilice solo un remolque homologado para el transporte del producto.
- Asegúrese de que conoce las normas de tráfico locales antes de transportar el producto en un remolque o circular por carretera.

### Conexión segura del producto en un remolque para su transporte



**ADVERTENCIA:** El freno de estacionamiento no es suficiente para bloquear el producto durante el transporte. Conecte firmemente el producto en el remolque.

Equipo: 2 correas de tensión homologadas y 4 bloques con forma de cuña para las ruedas.

1. Active el freno de estacionamiento.

2. Fije las correas de tensión alrededor del bastidor o el vagón trasero.
3. Apriete las correas de tensión en el sentido de la parte trasera y delantera del remolque para fijar el producto.
4. Coloque los bloques de cuña delante y detrás de las ruedas traseras.

## Remolque del producto

El producto tiene una transmisión hidrostática. Para evitar daños en la transmisión, remolque el producto solo distancias cortas y a baja velocidad.

Desacople la transmisión cuando use el remolque. Consulte *Engranaje y desengranaje del sistema de transmisión en la página 51*.

## Almacenamiento

Prepare el producto para guardarlo al final de la temporada, y si va almacenarlo durante más de 30 días. Si deja combustible en el depósito durante 30 días o más, las partículas pegajosas pueden atascar el carburador. Esto tendrá un efecto negativo en el funcionamiento del motor.

Para evitar la aparición de partículas pegajosas durante el almacenamiento, agregue un estabilizador. Si utiliza gasolina a base de alquilatos, no es necesario usar un estabilizador. Si utiliza gasolina estándar, no cambie a gasolina con alquilato. Esto puede provocar que las piezas de goma sensibles se vuelvan duras. Añada un estabilizador al depósito o recipiente donde se almacena el combustible. Utilice siempre las proporciones de mezcla especificadas por el fabricante. Haga funcionar el motor durante un mínimo de 10 minutos después de agregar el estabilizador hasta que este llegue al carburador.



**ADVERTENCIA:** No guarde el producto con combustible en el depósito en interiores o en lugares con una mala ventilación. Existe peligro de incendio si los vapores del combustible entran en contacto con llamas desnudas, chispas o luces piloto, por ejemplo, de calderas de calefacción, depósitos de agua caliente y secadoras de ropa.



**ADVERTENCIA:** Retire la hierba, las hojas y otros materiales inflamables del producto para disminuir el riesgo de incendio. Deje que el producto se enfríe antes de volver a colocarlo en su lugar de almacenamiento.

- Limpie el producto, consulte *Limpieza del producto en la página 57*. Retoque los daños en la pintura para evitar la corrosión.
- Examine el producto por si hubiera piezas dañadas o desgastadas, y apriete las tuercas y tornillos flojos.

- Cargue la batería. Utilice únicamente el cargador especificado por Husqvarna para este tipo de batería (LiFePO4).
- Cambie el aceite del motor y deseche el aceite usado.
- Vacíe el depósito de combustible. Arranque el motor y déjelo funcionar hasta que no haya restos de combustible en el carburador.

---

**Nota:** No vacíe el depósito de combustible ni el carburador si se ha añadido un estabilizador.

---

- Quite los tapones e introduzca aproximadamente una cucharada de aceite de motor en cada cilindro. Gire manualmente el eje del motor para distribuir el aceite y atornille los tapones.
- Lubrique todas las boquillas de engrase, las juntas y los ejes.
- Guarde el producto en una zona limpia y seca, y cúbralo para mayor protección.
- Su distribuidor puede proporcionarle una cubierta de protección para el almacenamiento o transporte de su producto.

## Eliminación

- Las sustancias químicas pueden ser peligrosas y no deben verterse al suelo. Deseche siempre los productos químicos en su centro de servicio o en una ubicación adecuada para su eliminación.
- Cuando el producto se desgaste, envíelo al distribuidor o a centro de reciclaje adecuado.
- El aceite, los filtros de aceite, el combustible y la batería pueden ser perjudiciales para el medio ambiente. Respete los requisitos de reciclaje locales y las normas aplicables.
- No deseche la batería como residuo doméstico.
- Envíe la batería a un taller de servicio Husqvarna o deséchela en una ubicación de residuos para las baterías agotadas.

## Datos técnicos

### Datos técnicos

	RC 318T	RC 320Ts AWD
<b>Dimensiones</b>		
Longitud sin equipo de corte, mm	2089	2089
Anchura sin equipo de corte, mm	1030	1030
Longitud con equipo de corte, mm	2394	2394
Altura, mm	1284	1284
Peso sin equipo de corte, con depósitos vacíos, kg	326	327
Distancia entre ejes, mm	903	903
Anchura de vía delantera, mm,	860	860
Anchura de vía trasera, mm,	670	670
Dimensiones de los neumáticos	16 × 6,50 × 8	16 × 6,50 × 8
Presión de aire, traseros y delanteros, kPa/bar/PSI	150/1,5/21,8	150/1,5/21,8
Máx. pendiente, grados °	10	10
<b>Motor</b>		
Marca/modelo	Briggs & Stratton/Endurance 7200 Twin	Briggs & Stratton/Endurance 7220 Twin
Potencia nominal del motor, kW <sup>5</sup>	12,6	12,6
Cilindrada, cm <sup>3</sup>	656	656
Régimen máximo del motor, rpm	3000 +/- 100	3000 +/- 100
Máx. velocidad hacia delante en km/h,	8,5	8,5
Combustible, octanaje mín.	91	91
Volumen del depósito, litros	12	12
Aceite	Grado SF, SG, SH o SJ SAE40, SAE30, SAE10W-30, SAE10W-40 o SAE5W-20	Grado SF, SG, SH o SJ SAE40, SAE30, SAE10W-30, SAE10W-40 o SAE5W-20
Volumen de aceite con filtro incluido, litros	1,9	1,9
Volumen de aceite sin filtro, litros	1,6	1,6
Motor de arranque	Arranque eléctrico de 12 V	Arranque eléctrico de 12 V
<b>Transmisión</b>		
Marca	Tuff Torq	Tuff Torq

<sup>5</sup> La potencia de salida del motor indicada es la potencia neta media (a la velocidad especificada) de un motor de producción típico para el modelo de motor conforme a la norma SAE J1349/ISO1585. Los motores fabricados en serie podrían presentar valores diferentes. La potencia de salida real del motor instalado en el producto final dependerá de la velocidad de funcionamiento, las condiciones medioambientales y otros valores.



	<b>RC 318T</b>	<b>RC 320Ts AWD</b>
Modelo	K66 AT	K664M/KTM10T
Aceite, clase SF-CC	SAE 10W/40	SAE 10W/50 Sintético
<b>Sistema eléctrico</b>		
Tipo	12 V, negativo a tierra	12 V, negativo a tierra
Batería	LiFePO <sub>4</sub>	LiFePO <sub>4</sub>
Tensión de carga máx. de la batería	14,4 V	14,4 V
Corriente de carga máx. de la batería	3,0A	3,0A
Bujía	XC92YC	XC92YC
Separación entre electrodos, mm/pulgada	0,75/0,030	0,75/0,030
Lámpara	LED GU5.3 12 V 4,5 – 6,5 W	LED GU5.3 12 V 4,5 – 6,5 W
<b>Equipo de corte</b>		
Tipo	Combi 103	Combi 103
	Combi 112	Combi 112

<b>Equipo de corte</b>	<b>Combi 103</b>	<b>Combi 112</b>
Anchura, mm	1086	1176
Anchura de corte, mm	1030	1120
Altura de corte, 8 posiciones, mm	25-75	25-75
Peso, kg	63	63
<b>Emisiones de ruido<sup>6</sup></b>		
Nivel de potencia acústica medida, dB(A)	99	99
Nivel de potencia acústica garantizada, dB(A)	100	100
<b>Niveles acústicos<sup>7</sup></b>		
Nivel de presión sonora en el oído del operario, dB(A)	85	85
<b>Niveles de vibraciones<sup>8</sup></b>		
Nivel de vibración en el volante, m/s <sup>2</sup>	2,4 m/s <sup>2</sup>	2,4 m/s <sup>2</sup>
Nivel de vibración en el asiento, m/s <sup>2</sup>	0,5 m/s <sup>2</sup>	0,5 m/s <sup>2</sup>
<b>Cuchillas</b>		
Longitud de la cuchilla izquierda y derecha, mm	510	555
Longitud de la cuchilla del centro, mm	243	243

<sup>6</sup> Emisiones sonoras en el entorno medidas como potencia acústica (L<sub>WA</sub>) según la directiva CE 2000/14/CE.

<sup>7</sup> Nivel de presión sonora conforme a la norma EN ISO 5395. Los datos referidos del nivel de presión sonora tienen una dispersión estadística habitual (desviación típica) de 1,2 dB (A).

<sup>8</sup> Nivel de vibración conforme a EN ISO 5395. Los datos referidos del nivel de vibración poseen una dispersión estadística habitual (desviación típica) de 0,2 m/s<sup>2</sup> (volante) y 0,8 m/s<sup>2</sup> (asiento).

Equipo de corte	Combi 103	Combi 112
N.º de artículo de la cuchilla izquierda	590 74 94-10	588 82 43-10
N.º de artículo de la cuchilla derecha	590 74 94-20	588 82 43-20
N.º de artículo de la cuchilla del centro	588 82 44-10	588 82 44-10



**ADVERTENCIA:** Utilizar un equipo de corte que no esté homologado para el producto puede causar proyección de objetos a alta velocidad, lo que podría causar lesiones

graves. No utilice otros tipos de equipo de corte diferentes a los especificados en este manual del propietario.

---

## Servicio técnico

### Servicio técnico

Haga una comprobación anual en un centro de servicio autorizado para asegurarse de que el producto funcione de manera segura y sin problemas durante la temporada alta. El mejor momento para realizar el mantenimiento o la revisión de este producto es la temporada baja.

Al enviar un pedido de piezas de repuesto, proporcione información sobre el año de compra, el modelo, el tipo y el n.º de serie.

Utilice siempre piezas de repuesto originales.

---

## Garantía

### Garantía de la transmisión

Solo se aplica a RC 320Ts AWD.

La garantía de la transmisión solo es aplicable si se realizan comprobaciones de la velocidad de rotación de las ruedas delanteras y traseras según lo establecido en el programa de mantenimiento. Para evitar daños en el sistema de transmisión, deje que un taller de servicio autorizado lo ajuste correctamente. Consulte los valores de la tabla especificados en el manual de taller.

---

# Declaración CE de conformidad

---

## Declaración CE de conformidad

**Husqvarna AB**, SE-561 82 Huskvarna (Suecia), tel.: +46-36-146500, garantiza que el **tractor cortacésped Husqvarna RC 318T y el RC 320Ts AWD** cumplen con las siguientes disposiciones de la DIRECTIVA DEL CONSEJO:

- de 17 de mayo de 2006 "relativa a máquinas", **2006/42/CE**.
- de 26 de febrero de 2014 "relativa a compatibilidad electromagnética", **2014/30/UE**.
- de 8 de mayo de 2000 "relativa a emisiones sonoras en el entorno", **2000/14/CE**.

Para obtener más información acerca de las emisiones sonoras y la anchura de segado, consulte los datos técnicos.

Se han aplicado las siguientes normas armonizadas:

**EN ISO 12100, EN ISO 5395-1, EN ISO 5395-3, EN ISO 14982**

Si no se indica lo contrario, las normas anteriormente indicadas constituyen las últimas versiones publicadas.

Organismo notificado: **0404, RISE SMP Svensk Maskinprovning AB, Box 7035, SE-750 07 Uppsala** ha elaborado informes sobre la evaluación de la conformidad con el Anexo VI de la DIRECTIVA DEL CONSEJO del 8 de mayo de 2000 "referente a las emisiones sonoras en el entorno" 2000/14/CE.

Los certificados tienen los números: 01/901/283, 01/901/301

Huskvarna, 2017-12-31



Claes Losdal, Director de desarrollo/productos para el jardín (representante autorizado de Husqvarna AB y responsable de la documentación técnica).

---

## Sommario

---

Introduzione.....	76	Trasporto, stoccaggio e smaltimento.....	108
Sicurezza.....	81	Dati tecnici.....	110
Montaggio.....	87	Assistenza.....	112
Utilizzo.....	89	Garanzia.....	112
Manutenzione.....	94	Dichiarazione CE di conformità.....	113
Anomalie di funzionamento.....	106	.....	0

---

## Introduzione

---

### Ispezione di preconsegna e numeri di prodotto

firmata del documento di ispezione pre-consegna dal rivenditore.

---

**Nota:** Un'ispezione di preconsegna è stata effettuata per questo prodotto. Assicurarsi di ricevere una copia

Informazioni di contatto dell'officina:	
Il presente manuale operatore si riferisce al prodotto con codice/numero di serie:	
/	
Motore:	
Trasmissione:	

### Descrizione dell'apparecchio

I modelli RC 318T e RC 320Ts AWD sono trattorini rasaerba che prevedono una modalità di raccolta. In tale modalità, una coclea invia l'erba tagliata in un raccoglierba. Segnali audio e visivi mostrano lo stato della coclea e del raccoglierba. I pedali di marcia avanti e retromarcia consentono all'utente di regolare la velocità in modo continuo. Il contaore indica le ore di taglio del prodotto. La batteria è una batteria al litio ferro fosfato ricaricabile, LiFePO<sub>4</sub>. RC 320Ts AWD ha la trazione integrale (AWD).

### Uso previsto

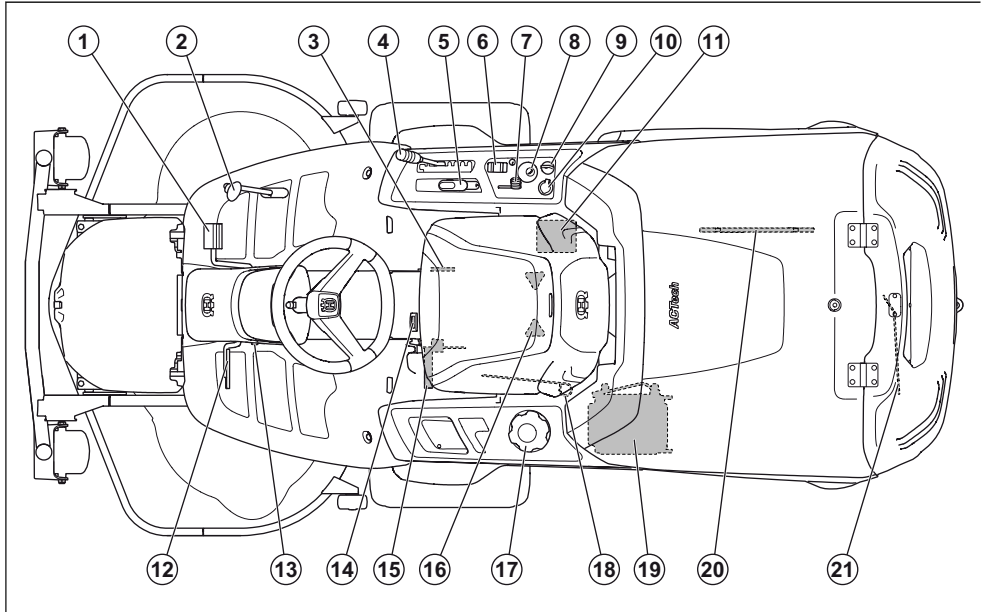
I trattorini rasaerba RC 318T e RC 320Ts AWD sono concepiti per falciare l'erba su terreni piani e aperti in

aree residenziali e giardini. Non è consentito utilizzare il prodotto per altre attività.

### Assicurazione del prodotto

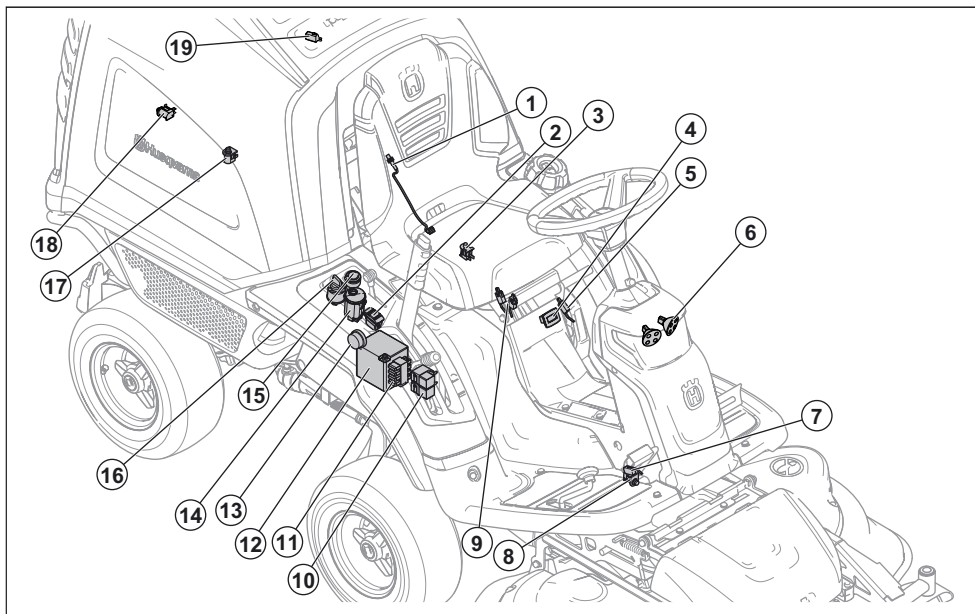
Accertarsi di disporre della copertura assicurativa per il nuovo prodotto. Contattare la propria compagnia assicurativa se non si è sicuri di disporre della copertura. Si raccomanda un'assicurazione completa che copra lesioni contro terzi, incendio, danni, furto e responsabilità civile.

## Illustrazione del prodotto



- |   |   |
|---|---|
| 1. Pedale di marcia avanti  | 13. Pulsante di bloccaggio per il freno di stazionamento  |
| 2. Pedale di retromarcia  | 14. Contaore  |
| 3. Piastrina modello  | 15. Leva della posizione di servizio della coclea   |
| 4. Leva dell'altezza di taglio  | 16. Regolazione del sedile  |
| 5. Leva di sollevamento per il piatto di taglio   | 17. Tappo del carburante  |
| 6. Interruttore per l'inclinazione del raccogliherba  | 18. Leva per innestare o disinnestare la trasmissione sull'assale anteriore, RC 320Ts AWD   |
| 7. Comando dell'acceleratore  | 19. Radiatore olio idraulico, RC 320Ts AWD  |
| 8. Interruttore di comando della coclea con indicatori LED  | 20. Strumento per la manutenzione della coclea  |
| 9. Blocco accensione  | 21. Leva per innestare o disinnestare la trazione, RC 318T Leva per innestare o disinnestare la trasmissione sull'assale posteriore, RC 320Ts AWD |
| 10. Presa di corrente 12 V  |   |
| 11. Batteria  |   |
| 12. Pedale del freno di stazionamento (RC 320Ts AWD)/ pedale del freno di stazionamento e del freno (RC 318T) |   |

## Panoramica dell'impianto elettrico



1. Sensore di rotazione della coclea
2. Interruttore per l'inclinazione del raccogliërba
3. Interruttore di sicurezza del sedile
4. Contaore
5. Interruttore della leva per la posizione di servizio della coclea
6. Fari anteriori
7. Microinterruttore, freno di stazionamento
8. Sensore per il piatto di taglio in posizione
9. Interruttore di sicurezza per la leva di sollevamento
10. Relè
11. Fusibili
12. Batteria
13. Cicalino
14. Interruttore di comando della coclea con indicatori LED
15. Presa di corrente (12 V)
16. Blocco accensione
17. Sensore di posizione raccogliërba
18. Interruttore per il portello del raccogliërba
19. Sensore di raccogliërba pieno

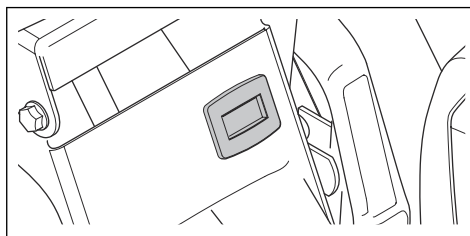
### Interruttore di sicurezza del sedile

L'interruttore di sicurezza del sedile avvia il circuito di sicurezza quando l'operatore si alza dal sedile. Il motore e l'azionamento delle lame si arrestano se le lame sono

innestate o se il freno di stazionamento non è inserito. Vedere anche *Circuito di sicurezza alla pagina 84*.

### Contaore

Il contaore indica le ore di funzionamento del motore. Il tempo con l'accensione inserita ma con il motore spento non viene registrato. L'ultima cifra mostra i decimi di ora (6 minuti).



### Batteria

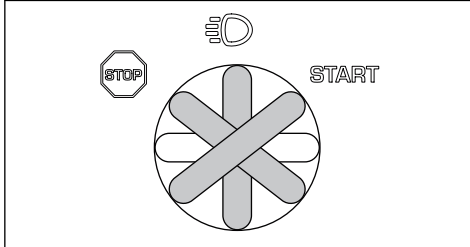
La batteria è una batteria al litio ferro fosfato ricaricabile, LiFePO<sub>4</sub>. Se la tensione della batteria è troppo bassa, passa in modalità di protezione e non reagisce quando si inserisce l'accensione. Quando la batteria è in modalità di protezione o se è troppo debole per avviare il motore, deve essere caricata. Vedere *Per caricare la batteria alla pagina 100*.

## Presa di corrente

La tensione della presa di corrente è pari a 12 V. La presa di corrente è protetta mediante fusibile, vedere *Per sostituire un fusibile alla pagina 100.*

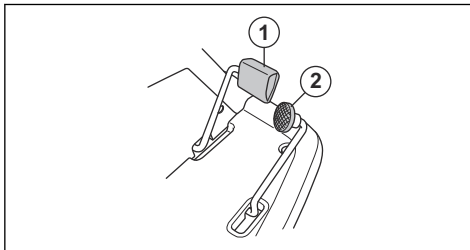
## Blocco accensione

Il blocco accensione ha 4 posizioni: arresto, luci, folle e avviamento. Se l'accensione è inserita ma il motore è spento, si percepisce un segnale acustico ogni 20 secondi che ricorda all'operatore di girare il blocco di accensione nella posizione STOP per non scaricare la batteria.



## Pedali di marcia avanti e retromarcia

La velocità viene regolata continuamente con 2 pedali. Il pedale sinistro (1) viene utilizzato per spostarsi in avanti e il pedale destro (2) viene utilizzato per spostarsi all'indietro. Il prodotto frena quando i pedali vengono rilasciati.



## Interruttore di comando della coclea con indicatori LED

I simboli sull'interruttore di comando della coclea mostrano se il prodotto è in modalità di raccolta o meno e lo stato di coclea e raccogliherba. La seguente tabella indica il significato dei diversi simboli.



La coclea è nella posizione di servizio. Il simbolo si illumina in rosso e viene emesso un segnale acustico.



Il piatto di taglio non è collegato correttamente. Il simbolo si illumina in rosso e viene emesso un segnale acustico.



Il raccogliherba è pieno. Il simbolo arancione si illumina e viene emesso un segnale acustico. La coclea continua a inviare l'erba nel raccogliherba. Se non si svuota il raccogliherba, la pressione dell'erba dopo un po' di tempo apre il portello.



Il portello del raccogliherba è aperto. Il simbolo si illumina in rosso e viene emesso un segnale acustico.



Il raccogliherba non si abbassa. Il simbolo si illumina in rosso e viene emesso un segnale acustico.



Un simbolo verde sul pulsante della coclea indica che il prodotto è impostato in modalità di raccolta.

Un simbolo blu sul pulsante della coclea indica che il prodotto è impostato in modalità di non raccolta.

Tenere premuto il pulsante della coclea fino a percepire un segnale acustico per passare dalla modalità di raccolta a quella di non raccolta.

Un simbolo rosso sul pulsante della coclea indica che la coclea è bloccata e si è arrestata. Viene emesso un segnale acustico continuo. Ruotare il blocco di accensione su STOP per arrestare il segnale acustico. Vedere le istruzioni in *Per rimuovere un blocco dalla coclea alla pagina 96* per rimuovere il blocco prima di avviare nuovamente il prodotto.

## Simboli riportati sul prodotto



**AVVERTENZA:** L'uso improprio del mezzo può provocare lesioni anche mortali all'operatore o a terzi.



Prima dell'uso, leggere per intero il manuale dell'operatore e accertarsi di aver compreso le istruzioni.



Lame rotanti. Tenere il corpo lontano dal coperchio quando il motore è acceso.



Avvertenza: parti rotanti. Tenere il corpo lontano.



Prestare attenzione a oggetti in movimento e devianti



Non utilizzare mai il prodotto se persone, in particolar modo bambini, o animali si trovano nelle vicinanze.



Guardare all'indietro prima e durante lo spostamento del prodotto in retromarcia.



Non tagliare l'erba in presenza di una pendenza. Non tagliare l'erba su superfici con pendenze superiori a 10°. Vedere *Per tagliare su terreni in pendenza alla pagina 85*.



Non trasportare mai passeggeri sul prodotto o l'apparecchiatura.



Spostarsi in avanti.

**N**

Folle.



Spostarsi in retromarcia.



Freno di stazionamento, modello RC 320Ts AWD



Freno e freno di stazionamento, modello RC 318T.



Spegnere il motore.

**START**

Avviare il motore.



Fari anteriori.



Regime motore - alto.



Regime motore - basso.



La coclea è nella posizione di servizio.



Il piatto di taglio non è collegato.



Il raccoglierba è pieno.



Il portello del raccoglierba è aperto.



Il raccoglierba non si abbassa.



Spia di stato del sistema della coclea.



Inclinare e aprire il raccoglierba.



Abbassare il raccoglierba in posizione di funzionamento.



Carburante.



Contenuto massimo di etanolo 10%.



Altezza di taglio.



Posizione di servizio per leva dell'altezza di taglio.



Le lame sono inserite.



Le lame sono disinserite.



Posizione di servizio per il piatto di taglio.



Posizione di falciatura per il piatto di taglio.



La coclea è in posizione di funzionamento.



La coclea è in posizione di servizio.



Non poggiare il piede qui.





Ruota libera idrostatica.



Livello dell'olio.



Rischio di lesioni per schiacciamento.



Rischio di lesioni per schiacciamento.  
Tenere il corpo lontano dal telaio dell'apparecchiatura.



Superficie calda.



Non toccare.



Il presente prodotto è conforme alle vigenti direttive CEE.



Emissioni di rumore nell'ambiente in base alla direttiva della Comunità Europea. Le emissioni del prodotto sono indicate nel capitolo Dati tecnici e sull'etichetta.



Usare sempre cuffie protettive omologate.

aaaassxxxx

Il numero di serie è stampato sulla piastrina modello. **aaaa** è l'anno di produzione, **ss** è la settimana di produzione e **xxxx** è il numero sequenziale.

**Nota:** I restanti simboli/decalcomanie sul prodotto riguardano particolari requisiti necessari per ottenere la certificazione in alcuni mercati.

## UE V



**AVVERTENZA:** La manomissione del motore rende nulla l'omologazione UE del prodotto.

## Responsabilità del prodotto

Come indicato nelle leggi vigenti in materia di responsabilità obbligatoria sul prodotto, non siamo responsabili per eventuali danni causati dal nostro prodotto se:

- Il prodotto viene riparato in modo errato.
- Il prodotto viene riparato con parti che non provengono o non sono omologate dal produttore.
- Il prodotto contiene un accessorio che non proviene o non è omologato dal produttore.
- Il prodotto non viene riparato presso un centro di assistenza autorizzato o presso un'autorità competente.

## Sicurezza

### Definizioni di sicurezza

Le avvertenze, le precauzioni e le note sono utilizzate per evidenziare le parti importanti del manuale.



**AVVERTENZA:** Utilizzato se è presente un rischio di lesioni o morte dell'operatore o di passanti nel caso in cui le istruzioni del manuale non vengano rispettate.



**ATTENZIONE:** Utilizzato se è presente un rischio di danni al prodotto, ad altri materiali oppure alla zona adiacente nel caso in cui le istruzioni del manuale non vengano rispettate.

**Nota:** Utilizzato per fornire ulteriori informazioni necessarie in una determinata situazione.

### Istruzioni di sicurezza generali



**AVVERTENZA:** Questo prodotto può tagliare mani e piedi e scagliare oggetti. Lesioni gravi o mortali possono verificarsi se non si rispettano le istruzioni di sicurezza.



**AVVERTENZA:** Non continuare a utilizzare un prodotto che presenti l'attrezzatura di taglio danneggiata. Un'attrezzatura di taglio danneggiata può scagliare oggetti e causare lesioni gravi o mortali. Sostituire immediatamente le lame danneggiate.



**AVVERTENZA:** Durante il funzionamento, questo prodotto genera un campo elettromagnetico. Tale campo può interferire, in alcuni casi, con persone portatrici di impianti medici attivi o passivi.

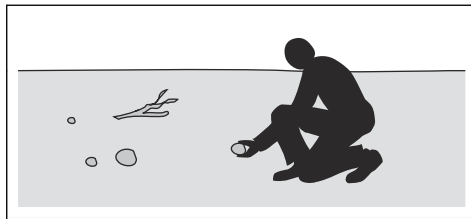
Per ridurre il rischio di condizioni che possono implicare lesioni gravi o mortali, i portatori di tali impianti devono consultare il proprio medico e il produttore dell'impianto prima di utilizzare questo prodotto.



**AVVERTENZA:** Leggere le seguenti avvertenze prima di utilizzare il prodotto.

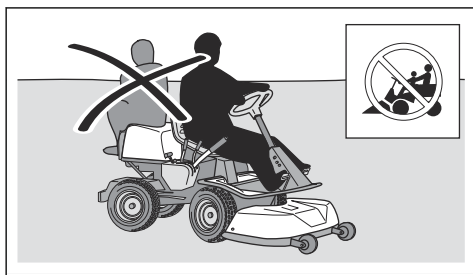
- Usare la massima cautela e il buon senso. Evitare tutte le situazioni che richiedono capacità superiori alle proprie. Se non si è sicuri delle procedure operative anche dopo aver letto il manuale dell'operatore, rivolgersi a un esperto prima di continuare.
- Leggere con attenzione e comprendere il manuale dell'operatore e le istruzioni sul prodotto prima di avviarlo.
- Apprendere l'uso del prodotto e i comandi e imparare come arrestare il prodotto rapidamente.
- Apprendere a riconoscere le decalcomanie di sicurezza.
- Conservare il prodotto pulito in modo che sia possibile leggere chiaramente i simboli e gli adesivi.
- Tenere presente che l'operatore potrà essere ritenuto responsabile di eventuali incidenti che coinvolgano altre persone o i loro beni.
- Non trasportare passeggeri. Il prodotto deve essere utilizzato da una sola persona.

- Liberare l'area da oggetti come pietre, giocattoli, fili, ecc. che possono rimanere incastrati nelle lame ed essere scagliati in aria.



- Non consentire ai bambini, o ad altre persone non autorizzate all'utilizzo del prodotto, di utilizzarlo o eseguirne la manutenzione. Possono esistere leggi locali che stabiliscono l'età minima dell'operatore.
- Accertarsi che nessuno si trovi nelle vicinanze del prodotto quando si accende il motore, si innesta la trazione o si sposta il prodotto.
- Tenere d'occhio il traffico quando si taglia in prossimità di una strada o la si attraversa.
- Non utilizzare mai il prodotto in condizioni di stanchezza oppure sotto l'effetto di alcolici, stupefacenti o farmaci in grado di compromettere la vista, l'attenzione, la coordinazione o il giudizio.
- Parcheggiare sempre il prodotto su una superficie piana con il motore spento.

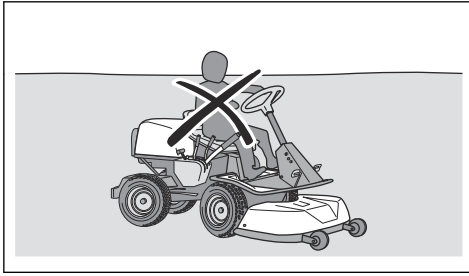
### Istruzioni di sicurezza relative ai bambini



**AVVERTENZA:** Leggere le seguenti avvertenze prima di utilizzare il prodotto.

- Non lasciare il prodotto incustodito con il motore acceso. Fermare sempre le lame, applicare il freno di stazionamento, spegnere il motore e rimuovere la chiave di accensione prima di lasciare incustodito il prodotto.
- Utilizzare il prodotto solo alla luce solare o in altre condizioni di sufficiente illuminazione. Tenere il prodotto a distanza di sicurezza da buche o altre irregolarità nel suolo. Prestare attenzione ad altri possibili rischi.
- Non utilizzare mai il prodotto in condizioni meteorologiche sfavorevoli, ad esempio nebbia, pioggia, umidità o luoghi molto umidi, vento forte, freddo intenso, rischio di fulmini ecc.
- Trovare e marcare eventuali pietre e altri oggetti fissi per evitarli durante il taglio.

- In caso di mancata supervisione dei bambini nei pressi del prodotto, si potrebbero verificare gravi incidenti. I bambini possono essere attratti dal prodotto e dalla falciatura. È molto probabile che i bambini non rimangano fermi nel luogo in cui sono stati visti l'ultima volta.
- Tenere i bambini lontani dall'area da falciare. Accertarsi che sia presente un adulto che supervisioni i bambini.
- Restare vigili e spegnere il prodotto se i bambini accedono all'area di lavoro. Prestare estrema attenzione nei pressi di angoli, cespugli, alberi o altri oggetti che ostacolano la visuale.
- Prima e durante lo spostamento del prodotto in retromarcia, guardare all'indietro e verso il basso per assicurarsi che non ci siano bambini piccoli nelle vicinanze del prodotto.
- Non lasciar salire i bambini sul prodotto. Potrebbero cadere e ferirsi gravemente o impedire di manovrare in sicurezza il prodotto.
- Non lasciare che i bambini utilizzino il prodotto.



- Usare sempre abbigliamento protettivo personale omologato quando si utilizza il prodotto. L'uso di abbigliamento protettivo personale non elimina il rischio di lesioni, ma ne riduce la gravità in caso di incidente. Farsi consigliare dal rivenditore per la scelta dell'attrezzatura adatta.
- Usare sempre cuffie protettive omologate. Una lunga esposizione al rumore può comportare lesioni permanenti all'udito.
- Indossare sempre scarpe o stivali protettivi. Si raccomanda l'uso di punte in acciaio. Non utilizzare il prodotto a piedi nudi.

## Istruzioni di sicurezza per il funzionamento



**AVVERTENZA:** Leggere le seguenti avvertenze prima di utilizzare il prodotto.



**AVVERTENZA:** Il motore e il sistema di scarico diventano molto caldi durante l'uso. Rischio di ustioni, incendi e gravi danni alla proprietà o alle zone adiacenti. Non toccare il motore o il sistema di scarico durante o subito dopo l'utilizzo. Durante la falciatura mantenersi lontani da cespugli e altri oggetti.

- Non spostare il prodotto con il raccogliherba inclinato. Ciò potrebbe danneggiare il raccogliherba e aumentare il rischio che il prodotto si ribalti.
- Guardare sempre in basso e all'indietro prima e durante lo spostamento in retromarcia. Prestare attenzione a evitare eventuali ostacoli grandi e piccoli.
- Ridurre la velocità prima di svoltare dietro a un angolo.
- Evitare con cautela gli oggetti fissi, accertarsi che le lame non vengano colpite. Non falciare sopra alcun oggetto.
- Fermare le lame quando non si sta falciando.



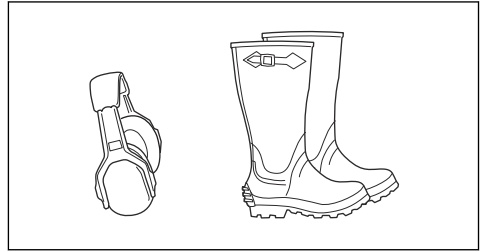
**ATTENZIONE:** Leggere le seguenti istruzioni prima di utilizzare il prodotto.

- Prima di utilizzare il prodotto, liberare la presa d'aria di raffreddamento del motore da erba, terra, ecc. Se il motore non può raffreddarsi c'è il rischio di gravi danni al motore.
- Fermarsi ed esaminare il prodotto e il piatto di taglio se si falcia o si urta un oggetto. Se necessario, effettuare riparazioni prima di riavviare il prodotto.

## Abbigliamento protettivo personale



**AVVERTENZA:** Leggere le seguenti avvertenze prima di utilizzare il prodotto.



- Indossare i guanti quando è necessario, per esempio durante il collegamento, l'ispezione o la pulizia dell'attrezzatura di taglio.
- Non indossare abbigliamento non aderente, gioielli o altri oggetti che potrebbero impigliarsi nelle parti in movimento.
- Tenere a portata di mano il kit di primo soccorso o un estintore.

## Dispositivi di sicurezza sul prodotto



**AVVERTENZA:** Leggere le seguenti avvertenze prima di utilizzare il prodotto.

- Non utilizzare un prodotto con dispositivi di sicurezza difettosi. Effettuare un controllo dei dispositivi di sicurezza con regolarità. Se i dispositivi di sicurezza sono difettosi, rivolgersi alla propria officina Husqvarna.
- Non apportare modifiche ai dispositivi di sicurezza. Non utilizzare il prodotto se le piastre di protezione, le coperture, gli interruttori di sicurezza o altri dispositivi di protezione non sono collegati o sono difettosi.

### Per effettuare un controllo del blocco accensione

- Avviare e arrestare il motore per effettuare un controllo del blocco di accensione. Vedere *Per avviare il motore alla pagina 91* e *Per arrestare il motore alla pagina 93*.
- Assicurarsi che il motore si avvii quando si posiziona la chiave su START.
- Assicurarsi che il motore si arresti quando si posiziona la chiave su STOP.

## Circuito di sicurezza

Il motore può essere avviato solo quando sono soddisfatte le condizioni indicate di seguito:

- Il piatto di taglio è sollevato e il freno di stazionamento è inserito.

Il motore deve arrestarsi nelle situazioni riportate di seguito:

- Il piatto di taglio è abbassato e l'operatore si alza dal sedile.
- Il piatto di taglio è sollevato, il freno di stazionamento non è azionato e l'operatore si alza dal sedile.

Per effettuare un controllo del circuito di sicurezza, provare ad avviare il motore quando una delle suddette condizioni non viene soddisfatta. Cambiare condizione e riprovare. Effettuare questo controllo quotidianamente.

## Sensori per la coclea e raccoglierba

Inserire l'accensione ma non avviare il motore. Effettuare il controllo di ciascun sensore come indicato nella tabella seguente. Assicurarsi che il relativo simbolo sull'interruttore di comando della coclea si accenda.



Abbassare la leva della posizione di servizio della coclea. Se il sensore funziona correttamente, il simbolo si illumina in rosso.



Non collegare il piatto di taglio. Se il sensore funziona correttamente, il simbolo si illumina in rosso e viene emesso un segnale acustico quando viene inserita l'accensione.



Aprire il portello del raccoglierba. Se il sensore funziona correttamente, il simbolo si illumina in rosso e viene emesso un segnale acustico.



Premere il sensore di rilevamento del raccoglierba pieno. Se il sensore funziona correttamente, il simbolo si illumina in arancione e viene emesso un segnale acustico.



Inclinare il raccoglierba. Se il sensore funziona correttamente, il simbolo si illumina in rosso e viene emesso un segnale acustico.

## Per effettuare un controllo del limitatore di velocità

- Rilasciare il pedale di avanzamento per frenare.
- Per una maggiore potenza di frenata, premere il pedale di retromarcia.
- Assicurarsi che i pedali di marcia avanti e retromarcia non siano bloccati e che possano essere azionati liberamente.
- Assicurarsi che il prodotto freni quando viene rilasciato il pedale di avanzamento.

## Freno di stazionamento



**AVVERTENZA:** Se il freno di stazionamento non funziona, il prodotto può iniziare a muoversi e causare lesioni o danni. Assicurarsi che il freno di stazionamento venga controllato e regolato periodicamente.

Vedere *Per effettuare un controllo del freno di stazionamento alla pagina 99.*

Per il modello RC 318T, il pedale del freno di stazionamento può essere usato anche per una maggiore potenza di frenata quando necessario, ad esempio quando si frena su un pendio.

## Marmitta

La marmitta assicura il minimo livello acustico e allontana i fumi di scarico dall'operatore.

Non utilizzare il prodotto se la marmitta è mancante o difettosa. Una marmitta difettosa aumenta il livello acustico e il rischio di incendio.

Esaminare la marmitta periodicamente per assicurarsi che sia collegata correttamente e che non sia danneggiata.

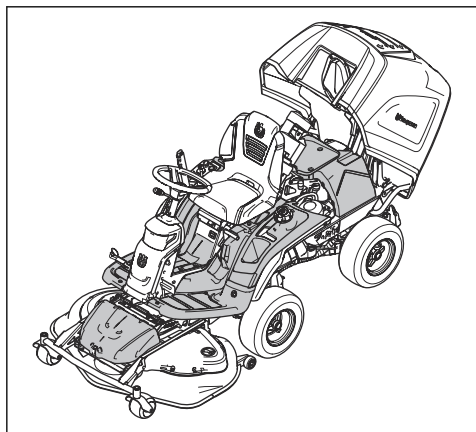


**ATTENZIONE:** La marmitta si surriscalda durante e dopo l'uso e quando il motore funziona al regime minimo. Prestare attenzione in prossimità di materiali infiammabili e/o fumi per evitare incendi.

## Coperture protettive



**AVVERTENZA:** Coperture protettive mancanti o danneggiate aumentano il rischio di lesioni sulle parti in movimento e le superfici calde. Prima di utilizzare il prodotto, assicurarsi che le coperture protettive siano collegate correttamente e non presentino crepe o altri danni. Sostituire le coperture danneggiate.



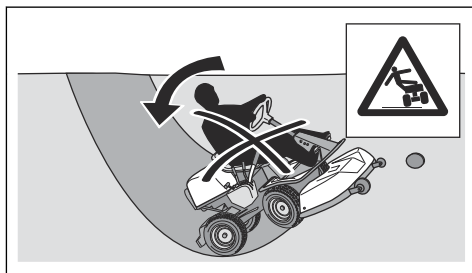
- Non effettuare bruschi cambiamenti di velocità o di direzione di marcia.
- Non effettuare più svolte del necessario. Girare lentamente e gradualmente quando ci si sposta su un pendio. Viaggiare a bassa velocità. Girare la ruota con cautela.
- Evitare di attraversare solchi, buche e dossi. Vi è un rischio più elevato che il prodotto si ribalti su un terreno non piano. L'erba alta può nascondere eventuali ostacoli.
- Non tagliare in prossimità di bordi, fossi o argini. Il prodotto può ribaltarsi improvvisamente se una ruota si muove oltre il bordo di una pendenza ripida o un fosso, o se un bordo cede. Se il prodotto cade in acqua c'è il rischio di annegare.

## Per tagliare su terreni in pendenza



**AVVERTENZA:** Leggere le seguenti avvertenze prima di utilizzare il prodotto.

- La falciatura su terreni in pendenza aumenta il rischio di perdita di controllo e ribaltamento del prodotto. Ciò può causare lesioni anche mortali. È necessario falciare con cautela su qualsiasi terreno in pendenza. Se non è possibile effettuare la retromarcia su un terreno in pendenza o se ci si sente insicuri, non effettuare la falciatura.
- Rimuovere ostacoli quali pietre e rami.
- Eseguire il taglio guidando parallelamente alla direzione di inclinazione del piano, non lateralmente.
- Non spostarsi su un pendio con il piatto di taglio sollevato.
- Non utilizzare il prodotto su terreni con pendenze superiori a 10°.



- Non tagliare l'erba bagnata. È scivolosa e gli pneumatici possono perdere aderenza facendo slittare il prodotto.
- Non appoggiare il piede a terra per tentare di rendere il prodotto più stabile.
- Spostarsi con molta attenzione nel caso in cui si sia impigliato qualsiasi oggetto che potrebbe rendere il prodotto meno stabile.

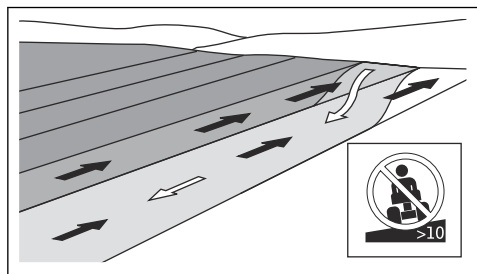
## Sicurezza durante l'uso del carburante



**AVVERTENZA:** Prestare attenzione al carburante. Il carburante è estremamente infiammabile e può provocare lesioni e danni.



**AVVERTENZA:** Leggere le seguenti avvertenze prima di utilizzare il prodotto.



- Non avviare o arrestare il prodotto su terreni in pendenza.
- Per il modello RC 318T, utilizzare sempre il pedale del freno per una maggiore potenza di frenata durante lo spostamento su terreni in pendenza.
- Spostarsi gradualmente e lentamente su terreni in pendenza.

- Non riempire il serbatoio del carburante in ambienti chiusi.
- La benzina e i vapori della benzina sono tossici e molto infiammabili. Prestare la massima attenzione alla benzina per evitare lesioni o incendi.
- Non rimuovere il tappo del carburante, né rabboccare il serbatoio del carburante a motore acceso.
- Lasciare che il motore si raffreddi prima di effettuare il rifornimento.
- Non fumare durante il rifornimento del carburante.

- Non effettuare il rifornimento vicino a scintille o fiamme libere.
- In caso di perdite del sistema di alimentazione, non avviare il motore fino a quando le perdite non sono state riparate.
- Non effettuare il rifornimento oltre il livello raccomandato. Il calore del motore e del sole fa espandere il carburante, il quale fuoriesce se il serbatoio si è riempito troppo.
- Non riempire il serbatoio in eccesso. Se si versa del carburante sul prodotto, asciugare con un panno e attendere che sia evaporato prima di avviare il motore. Se lo si versa sugli indumenti, cambiarli.
- Conservare il carburante solo in contenitori omologati.
- Riporre il prodotto e il carburante in modo che non vi sia alcun rischio che eventuali perdite di carburante o fumi possono causare danni.
- Versare il carburante in un contenitore adatto, all'aperto e lontano da fiamme libere.

### Sicurezza batterie



**AVVERTENZA:** Una batteria danneggiata può esplodere e causare lesioni. Se la batteria ha una deformazione o è danneggiata, rivolgersi a un'officina autorizzata Husqvarna.



**AVVERTENZA:** Leggere le seguenti avvertenze prima di utilizzare il prodotto.

- Indossare occhiali protettivi quando si è in prossimità delle batterie.
- Non indossare orologi, gioielli o altri oggetti metallici nelle vicinanze della batteria.
- Tenere la batteria fuori dalla portata dei bambini.
- Caricare la batteria in un locale con un ricambio d'aria.
- Tenere i materiali infiammabili a una distanza minima di 1 m quando si carica la batteria.
- Sostituire le batterie sostituite. Vedere *Smaltimento alla pagina 109*.



**ATTENZIONE:** Leggere le seguenti istruzioni prima di utilizzare il prodotto.

- Ricaricare esclusivamente utilizzando il caricabatterie indicato dal produttore. Altri caricabatterie possono danneggiare l'impianto elettrico e la batteria.
- Non serrare i morsetti della batteria a una coppia maggiore rispetto a quella prescritta, max. 4 Nm.

### Istruzioni di sicurezza per la manutenzione



**AVVERTENZA:** Il prodotto ha un peso elevato e può causare lesioni o danni alle cose o alla zona adiacente. Non eseguire la manutenzione del motore o del piatto di taglio senza che queste condizioni vengano soddisfatte:

- Il motore è spento.
- Il prodotto è parcheggiato su una superficie piana.
- Il freno di stazionamento è azionato.
- La chiave di accensione è stata rimossa.
- Il piatto di taglio è disinserito.
- I cavi di accensione sono stati rimossi dalle candele.



**AVVERTENZA:** I fumi di scarico del motore contengono monossido di carbonio, un gas inodore, velenoso e altamente pericoloso. Non utilizzare il prodotto in spazi chiusi o senza un flusso d'aria sufficiente.



**AVVERTENZA:** Leggere le seguenti avvertenze prima di utilizzare il prodotto.

- Per garantire le migliori prestazioni e la sicurezza, effettuare la manutenzione del prodotto a intervalli regolari come indicato nel programma di manutenzione. Vedere *Programma di manutenzione alla pagina 94*.
- Le scosse elettriche possono causare lesioni. Non toccare i cavi quando il motore è acceso. Non effettuare una prova di funzionamento dell'impianto di accensione con le dita.
- Non avviare il motore se i coperchi protettivi sono stati rimossi. Vi è un alto rischio di lesioni provocate da parti calde o in movimento.
- Attendere che il prodotto si raffreddi prima di eseguire la manutenzione vicino al motore.
- Le lame sono affilate e possono causare tagli. Posizionare paraventi attorno alle lame o usare guanti protettivi quando si lavora su di esse.
- Mettere sempre il piatto di taglio in posizione di manutenzione per pulirlo. Non parcheggiare il prodotto vicino al bordo di un fosso o in pendenza per accedere al piatto di taglio.



**ATTENZIONE:** Leggere le seguenti istruzioni prima di utilizzare il prodotto.

- Non ribaltare il motore se la candela o il cavo di accensione è stato rimosso.

- Assicurarsi che tutti i dadi e i bulloni siano serrati correttamente e che l'attrezzatura sia in buone condizioni.
- Non modificare la regolazione dei limitatori. Se il regime del motore è troppo alto, i componenti del prodotto possono danneggiarsi. Vedere

*Caratteristiche tecniche alla pagina 110 per informazioni sul regime motore massimo consentito.*

- Il prodotto è testato e approvato solo con l'attrezzatura in dotazione o raccomandata dal produttore.

## Montaggio

### Introduzione

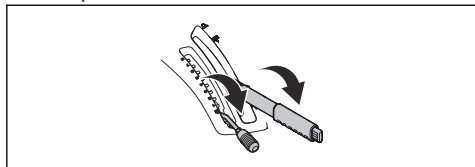


**AVVERTENZA:** La molla di tensionamento della cinghia della trasmissione può rompersi e causare lesioni. Indossare occhiali protettivi quando si collega o rimuove il piatto di taglio.

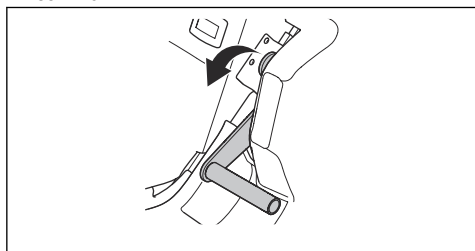
Leggere attentamente le istruzioni di montaggio del manuale d'uso. Un'etichetta sul lato interno della copertura anteriore del prodotto mostra inoltre come collegare e rimuovere il piatto di taglio.

### Per collegare il piatto di taglio

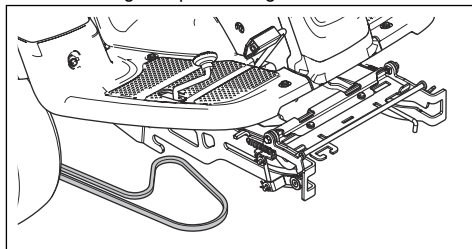
1. Posizionare il prodotto su una superficie piana.
2. Azionare il freno di stazionamento.
3. Portare la leva dell'altezza di taglio nella posizione di servizio.
4. Portare la leva di sollevamento del piatto di taglio nella posizione di falciatura.



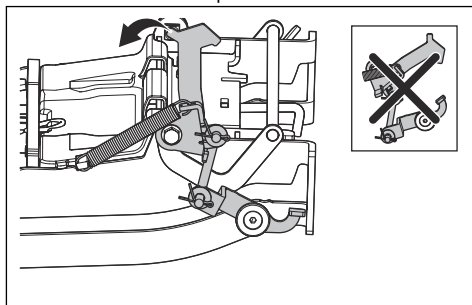
5. Abbassare la leva della posizione di servizio della coclea per sollevare la coclea fino alla posizione di servizio.



6. Inserire la cinghia di trasmissione come illustrato, per assicurarsi che non venga schiacciata quando viene collegato il piatto di taglio.

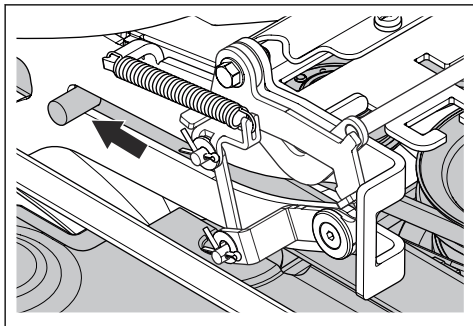


7. Spingere in basso il telaio dell'attrezzatura. Sollevare il blocco di servizio in posizione verticale.

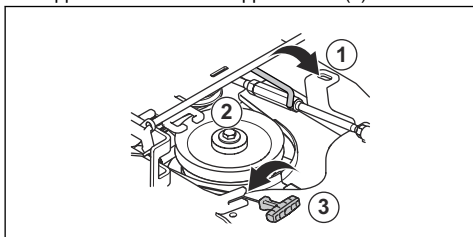


**AVVERTENZA:** Il meccanismo di blocco può provocare lesioni alle dita se non lo si utilizza con cautela. Inserire il blocco di servizio in posizione verticale e tenere il bordo anteriore del piatto di taglio con le due mani al momento di passare alla fase successiva.

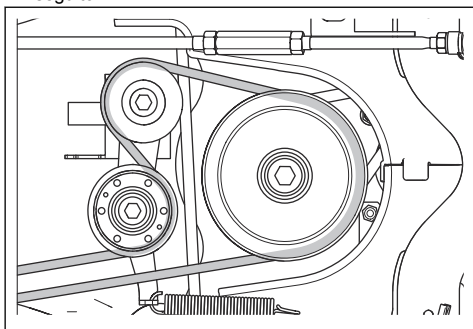
8. Sollevare il bordo anteriore del piatto di taglio e spostarlo nel telaio dell'attrezzatura. I tappi sul piatto di taglio, uno su ciascun lato, devono essere inseriti nelle scanalature sul telaio dell'attrezzatura. Il blocco di servizio si sblocca automaticamente.



9. Sollevare il sostegno dell'altezza di taglio dal supporto e inserirlo nell'apposito foro (1).

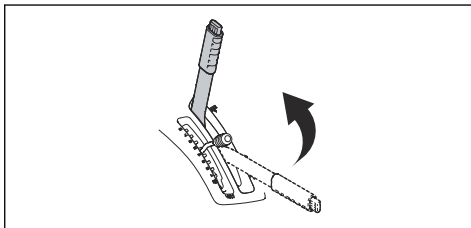


10. Posizionare la cinghia di trasmissione intorno alla ruota di tensionamento (2). Assicurarsi che la cinghia di trasmissione funzioni come illustrato di seguito.

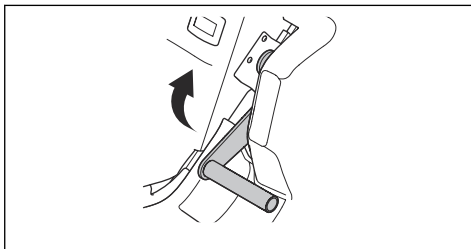


11. Posizionare la molla nell'alloggiamento (3).

12. Impostare la leva di sollevamento per il piatto di taglio in posizione di blocco. Il piatto di taglio si solleva.



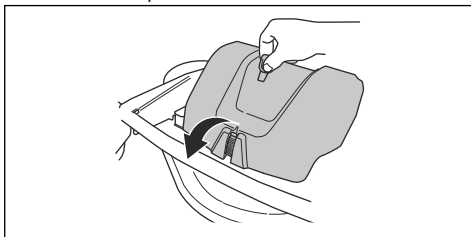
13. Tirare la leva della posizione di servizio della coclea verso l'alto.



14. Collegare il coperchio anteriore.

## Per rimuovere il piatto di taglio

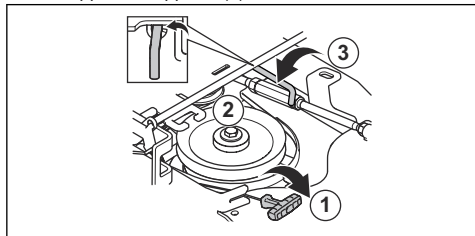
1. Attenersi alle fasi 1-5 in *Per collegare il piatto di taglio alla pagina 87*.
2. Rilasciare il fermo sul coperchio anteriore con l'attrezzo fissato sulla chiave di accensione e sollevare il coperchio.



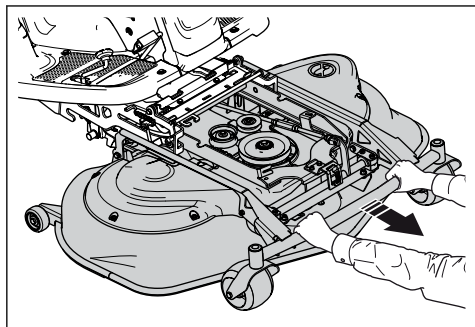
3. Sfilare la leva a molla dalla sede tirando verso destra per allentare la tensione della ruota di tensionamento della cinghia di trasmissione. (1)
4. Tenere la leva a molla con la mano sinistra e sollevare la cinghia di trasmissione con la mano destra.
5. Tirare la cinghia di trasmissione verso la parte posteriore sotto al prodotto. Non metterla nella sede della cinghia (2).
6. Inserire la leva a molla nella sede per evitare che la molla cada.



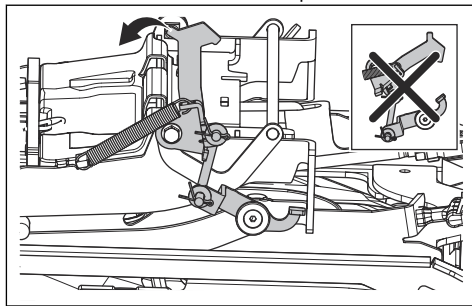
7. Sollevare il sostegno dell'altezza di taglio e metterlo nell'apposito supporto (3).



8. Afferrare il bordo anteriore del piatto di taglio con entrambe le mani e tirare in avanti finché non si arresta.



9. Sollevare il blocco di servizio in posizione verticale.



**AVVERTENZA:** Il meccanismo di blocco può provocare lesioni alle dita se non lo si utilizza con cautela. Inserire il blocco di servizio in posizione verticale e tenere il bordo anteriore del piatto di taglio con le due mani al momento di passare alla fase successiva.

10. Sollevare il bordo anteriore del piatto di taglio finché il blocco di servizio non tocca il telaio e sfilare il piatto di taglio.

## Utilizzo

### Introduzione



**AVVERTENZA:** Prima di utilizzare il prodotto, è necessario leggere e comprendere il capitolo relativo alla sicurezza.

### Per il rifornimento del carburante



**AVVERTENZA:** La benzina è altamente infiammabile. Prestare la massima attenzione ed effettuare il rifornimento all'esterno (vedere *Sicurezza durante l'uso del carburante alla pagina 85*).



**AVVERTENZA:** Non utilizzare il serbatoio del carburante, come superficie di appoggio.



**ATTENZIONE:** Un carburante di tipo errato può causare danni al motore.

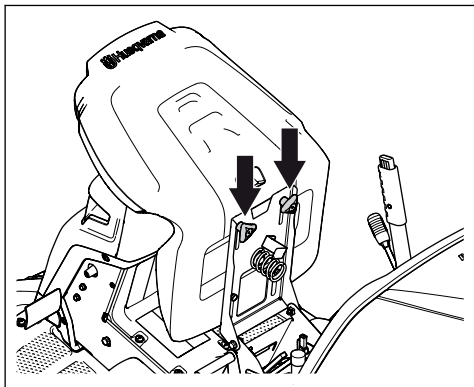
Il motore funziona con benzina con un numero di ottano minimo di 91 RON (87 AKI), non mescolata con olio. Si

raccomanda benzina alchilata biodegradabile. Non usare benzina contenente più del 10% di etanolo.

- Effettuare un controllo del livello di carburante prima di ogni uso e rifornire se necessario.
- Non riempire completamente il serbatoio del carburante. Lasciare uno spazio di almeno 2,5 cm.

## Per regolare il sedile

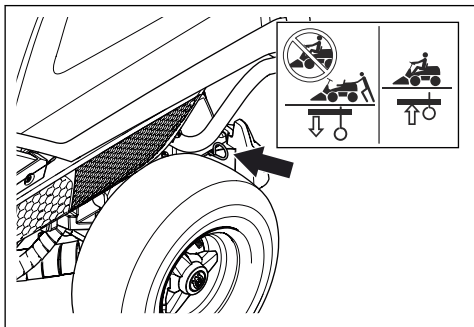
Il sedile può essere inclinato in avanti. Inoltre, può essere regolato in lunghezza. Allentare le leve sotto il sedile e regolarlo in avanti o indietro.



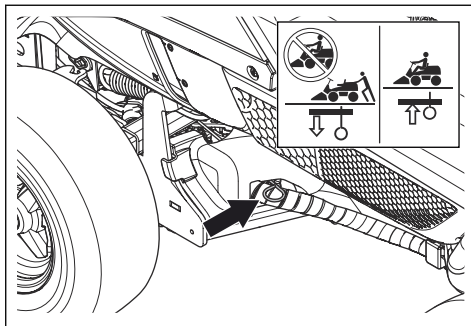
## Per inserire e disinserire il sistema di trasmissione

Per spostare il prodotto con il motore spento, il sistema di trasmissione deve essere disinserito. Estrarre completamente la leva del sistema di trasmissione per disinserire la trasmissione sull'assale. Premere completamente la leva del sistema di trasmissione per inserire la trasmissione sull'assale. Non utilizzare le posizioni intermedie.

La leva del sistema di trasmissione per il modello RC 318T si trova dietro la ruota posteriore sinistra. Il modello RC 320Ts AWD ha una leva del sistema di trasmissione per l'assale anteriore e un'altra per quello posteriore. La leva del sistema di trasmissione per l'assale posteriore si trova dietro la ruota posteriore sinistra.

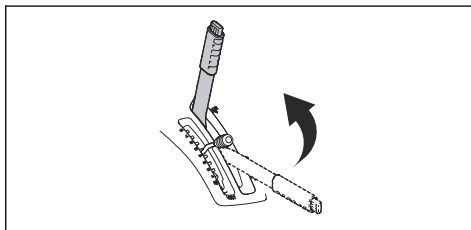


La leva del sistema di trasmissione per l'assale anteriore per il modello RC 320Ts AWD si trova dietro la ruota anteriore sinistra.

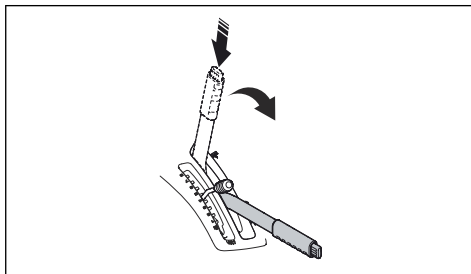


## Per sollevare e abbassare il piatto di taglio

Per sollevare il piatto di taglio in posizione di trasporto, tirare la leva di sollevamento all'indietro. Se il motore è acceso, le lame smettono di ruotare automaticamente.



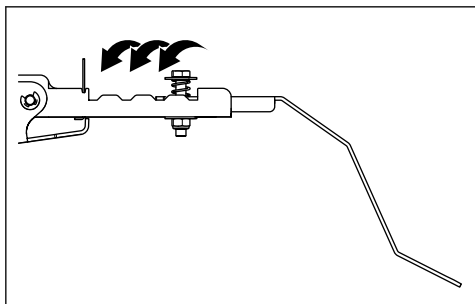
Per abbassare il piatto di taglio in posizione di taglio, premere il pulsante di bloccaggio e spostare la leva di sollevamento in avanti. Se il motore è in moto, le lame iniziano a ruotare automaticamente.



## Per regolare il sensore di rilevamento del raccogliërba pieno

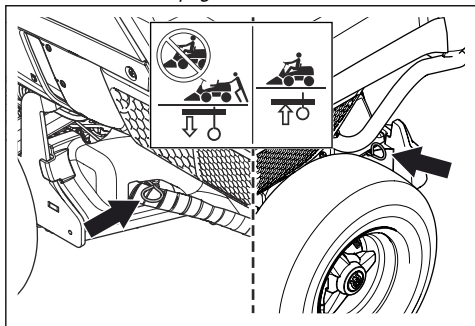
Se il portello si apre o la coclea si arresta prima che il raccogliërba sia pieno, è necessario regolare il sensore.

Il sensore di rilevamento del raccoglietorba pieno ha 4 posizioni.

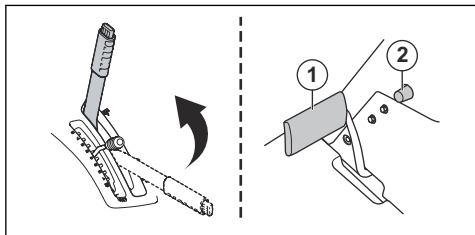


### Per avviare il motore

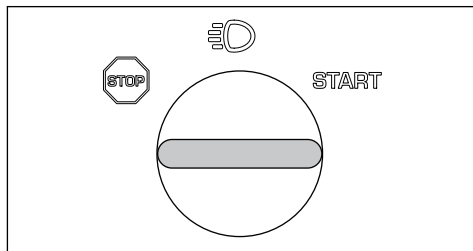
1. Assicurarsi che il sistema di trasmissione sia inserito, vedere *Per inserire e disinserire il sistema di trasmissione alla pagina 90.*



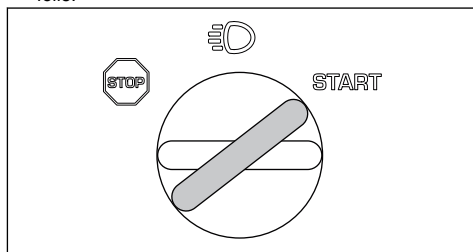
2. Sollevare il piatto di taglio e azionare il freno di stazionamento.



3. Girare la chiave d'accensione nella posizione di avviamento.

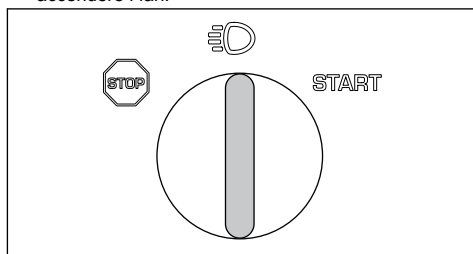


4. All'avviamento del motore, rilasciare immediatamente la chiave e riportarla in posizione folle.

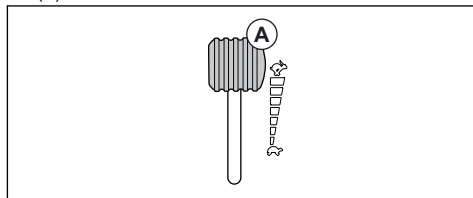


**Nota:** Non far girare il motorino di avviamento per più di 5 secondi ogni volta. Se il motore non si avvia, attendere 15 secondi prima di riprovare.

5. Ruotare la chiave nella posizione delle luci per accendere i fari.



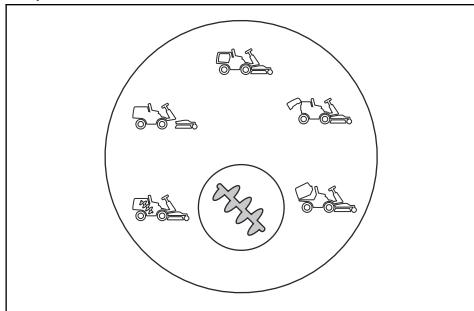
6. Impostare il comando dell'acceleratore al massimo (A).



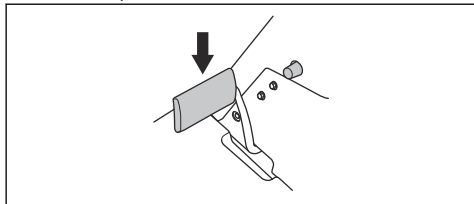
### Per utilizzare il prodotto in modalità di raccolta

1. Avviare il motore.

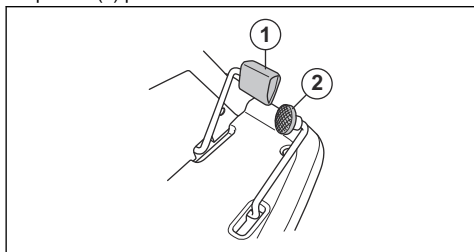
2. Assicurarsi che il simbolo sull'interruttore di comando della coclea sia verde. Ciò indica che il prodotto è in modalità di raccolta. Vedere *Interruttore di comando della coclea con indicatori LED alla pagina 79* per informazioni su cosa fare se i simboli sull'interruttore di comando della coclea si accendono o se il pulsante di comando della coclea è di colore rosso.



3. Premere il pedale del freno di stazionamento, quindi rilasciarlo per rilasciare il freno di stazionamento.

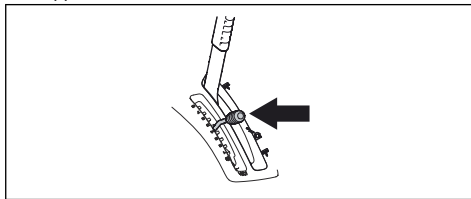


4. Premere delicatamente uno dei pedali di marcia. La velocità aumenta quanto più a fondo viene premuto il pedale. Usare il pedale (1) per la marcia avanti e il pedale (2) per la retromarcia.

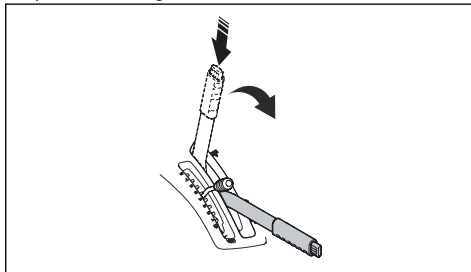


5. Rilasciare il pedale del freno. Sul modello RC 318T, è possibile utilizzare il pedale del freno di stazionamento/pedale del freno per ottenere una maggiore potenza frenante. Questo può essere necessario, per esempio, quando si frena su un pendio.

6. Selezionare l'altezza di taglio (1-8) utilizzando l'apposita leva.



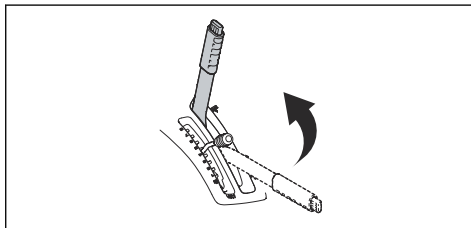
7. Premere il pulsante di bloccaggio sulla leva di sollevamento del piatto di taglio e abbassarlo in posizione di taglio.



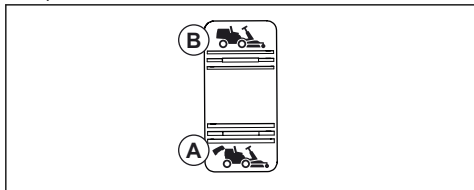
8. Quando il raccoglierba è pieno, un simbolo (vedere *Interruttore di comando della coclea con indicatori LED alla pagina 79*) si illumina in arancione sull'interruttore di comando della coclea e viene emesso un segnale acustico.

**Nota:** Il segnale acustico emesso quando il raccoglierba è pieno può essere escluso utilizzando le cuffie protettive. Esaminare periodicamente l'interruttore di comando della coclea per rendersi conto quando il raccoglierba è pieno.

9. Impostare la leva di sollevamento per il piatto di taglio in posizione di blocco. Il piatto di taglio si solleva e le lame smettono di ruotare.



10. Per svuotare il raccoglierba, premere la parte posteriore dell'interruttore di inclinazione del raccoglierba. Il raccoglierba si solleva. Tenere premuto l'interruttore fino a quando il portello non si apre e l'erba non cade.



11. Premere la parte anteriore dell'interruttore per abbassare il raccoglierba in posizione operativa.

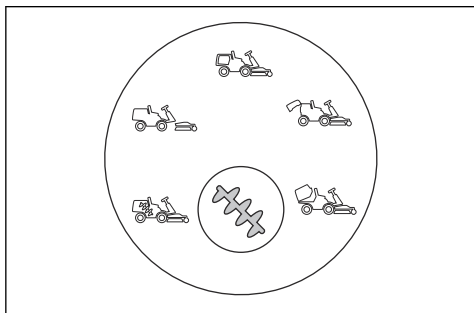
**Nota:** Se il raccoglierba è completamente inclinato o abbassato e si continua a premere l'interruttore, si percepisce un battito. Ciò indica che il raccoglierba si trova nella posizione finale.



**AVVERTENZA:** Le dita possono rimanere schiacciate tra il raccoglierba e il telaio. Non mettere le mani sul telaio o il raccoglierba quando questo viene abbassato.

## Per utilizzare il prodotto in modalità di non raccolta

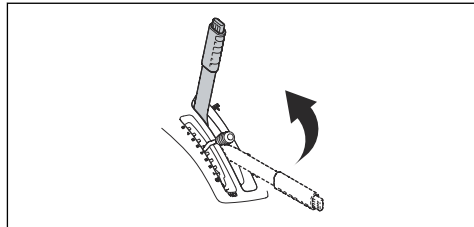
1. Avviare il motore.
2. Assicurarsi che il simbolo sull'interruttore di comando della coclea sia blu. Ciò indica che il prodotto è in modalità di non raccolta. Vedere *Interruttore di comando della coclea con indicatori LED alla pagina 79* per informazioni su cosa fare se i simboli sull'interruttore di comando della coclea si accendono o se il pulsante di comando della coclea è di colore rosso.



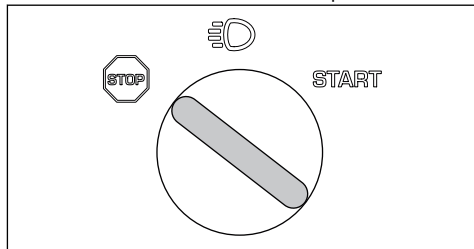
3. Attenersi alle fasi 4-8 in *Per utilizzare il prodotto in modalità di raccolta alla pagina 91*.
4. Quando si inizia a tagliare, l'erba non viene raccolta.

## Per arrestare il motore

1. Tirare all'indietro la leva di sollevamento del piatto di taglio fino alla posizione di blocco per sollevare il piatto di taglio. Le lame smettono di ruotare.



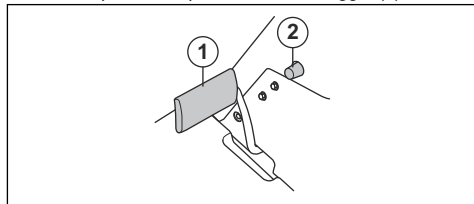
2. Girare la chiave d'accensione nella posizione STOP.



3. Quando il prodotto si arresta, applicare il freno di stazionamento.

## Per innestare e disinnestare il freno di stazionamento

1. Premere il pedale del freno di stazionamento (1).
2. Tenere premuto il pulsante di bloccaggio (2).



3. Tenere premuto il pulsante e rilasciare il pedale del freno di stazionamento.
4. Per rilasciare il freno di stazionamento, premere nuovamente il pedale corrispondente.

## Per ottenere un buon risultato di taglio

- Non falciare il prato bagnato. L'erba bagnata offre una qualità di taglio inferiore.
- Iniziare con un'altezza di taglio elevata e ridurla gradualmente.
- Tagliare con lame che ruotano ad alta velocità (regime motore massimo consentito, vedere *Caratteristiche tecniche alla pagina 110*). Spostare in avanti il prodotto a bassa velocità. Se l'erba non è

troppo alta e fitta, è possibile ottenere un buon risultato di taglio anche a una velocità maggiore.

- Si raccomanda di utilizzare il prodotto in modalità di raccolta. Per ottenere i migliori risultati di taglio in modalità di non raccolta, tagliare l'erba frequentemente. Tagliare l'erba frequentemente non

richiede più tempo. L'erba è più corta e si è in grado di tagliare a una velocità maggiore.

- Il prodotto può essere utilizzato anche per raccogliere le foglie sul prato. Impostare un'altezza di taglio elevata e impostare il prodotto in modalità di raccolta.

## Manutenzione

### Introduzione



**AVVERTENZA:** Prima di eseguire qualsiasi lavoro di manutenzione, è necessario leggere e capire il capitolo relativo alla sicurezza.

X = le istruzioni sono riportate in questo manuale dell'operatore.

O = le istruzioni non sono riportate in questo manuale dell'operatore. Affidare la manutenzione a un'officina autorizzata.

**Nota:** Se nella tabella è indicato più di un intervallo di tempo, l'intervallo più breve è da intendere solo per la prima manutenzione.

### Programma di manutenzione

\* = manutenzione generale effettuata dall'operatore. Le istruzioni non sono riportate in questo manuale dell'operatore.

Manutenzione	Manutenzione giornaliera prima del funzionamento	Intervallo di manutenzione in ore			
		25	50	100	200
Assicurarsi che i dadi e le viti siano ben serrati	*				
Assicurarsi che non vi siano perdite di olio o carburante	*				
Pulire secondo quanto indicato in <i>Per pulire il prodotto alla pagina 95</i>	X				
Pulire sotto il piatto di taglio	X				
Pulire l'area attorno alla marmitta	X				
Assicurarsi che la presa d'aria di raffreddamento del motore non sia ostruita	X				
Assicurarsi che il radiatore dell'olio idraulico non sia ostruito, solo il modello RC 320Ts AWD	X				
Assicurarsi che i dispositivi di sicurezza non siano difettosi	X				
Esaminare e testare i freni	*				
Assicurarsi che il sensore del raccoglierba pieno funzioni correttamente	X				
Effettuare un controllo del livello dell'olio motore	X				
Effettuare un controllo del livello dell'olio della trasmissione	X				
Effettuare un controllo dei cavi dello sterzo	X				
Esaminare le lame nel piatto di taglio		X			
Pulire il piatto di taglio, sotto i coperchi della cinghia e sotto il piatto di taglio			X		
Esaminare i fari		X	X		
Assicurarsi che la pressione degli pneumatici sia corretta		X	X		

Manutenzione	Manutenzione giornaliera prima del funzionamento	Intervallo di manutenzione in ore			
		25	50	100	200
Effettuare un controllo del freno di stazionamento			X		
Cambiare l'olio motore			X	X	
Sostituire il filtro dell'olio			X	X	
Pulire il filtro dell'aria		X			
Sostituire il filtro aria				X	
Sostituire il filtro del carburante				X	
Pulire l'area attorno al sensore di rilevamento del raccoglierba pieno				X	
Effettuare un controllo del parallelismo del piatto di taglio		X	X		
Lubrificare il regolatore della cinghia.		X	X		
Esaminare e regolare i cavi dello sterzo		O	O		
Esaminare la marmitta e il deflettore termico			O		
Esaminare il piatto di taglio per verificare la presenza di eventuali danni			O		
Sostituire la candela				O	
Regolare il freno di stazionamento.			O		
Effettuare il controllo e la regolazione del cavo dell'acceleratore			O		
Pulire le alette di raffreddamento di motore e trasmissione			O		
Pulire il motore e la trasmissione			O		
Effettuare il controllo o la regolazione della velocità di rotazione delle ruote anteriori e posteriori, solo il modello RC 320Ts AWD		O		O	
Effettuare un controllo delle cinghie		O	O		
Effettuare un controllo della batteria			O		
Effettuare un controllo del tubo pescante. Sostituirlo se necessario				O	
Cambiare l'olio della trasmissione			O		O
Sostituire il filtro della trasmissione, solo il modello RC 320Ts AWD			O		O
Sostituire il filtro avvitabile e il servocomando, solo il modello RC 320Ts AWD			O		O

## Per pulire il prodotto



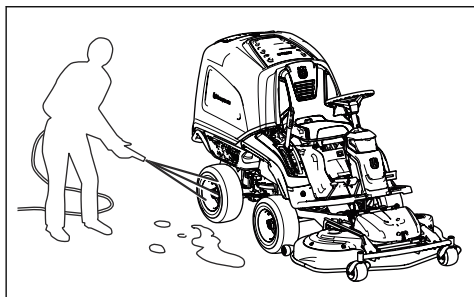
**ATTENZIONE:** Non utilizzare una lancia ad alta pressione o a vapore. L'acqua può entrare nei cuscinetti e nei collegamenti elettrici e causare una corrosione che può danneggiare il prodotto.

Pulire il prodotto subito dopo l'uso.

- Prima di arrestare il motore, lasciare che la coclea giri a vuoto per 10 secondi per liberarla da residui d'erba.
- Non pulire le superfici calde come il motore, la marmitta e il sistema di scarico. Attendere fino a quando le superfici sono fredde, quindi rimuovere l'erba o lo sporco.
- Prima di pulire con acqua, utilizzare una spazzola per rimuovere l'erba tagliata e lo sporco sopra e

intorno alla trasmissione, alla presa d'aria della trasmissione e al motore.

- Utilizzare acqua corrente per pulire il prodotto. Non utilizzare alta pressione.
- Non puntare il getto sui componenti elettrici o i cuscinetti. Gli additivi normalmente aumentano i danni.
- Per pulire il piatto di taglio, metterlo in posizione di servizio e lavarlo con acqua.
- Pulire la superficie interna del raccogliherba con acqua.
- Pulire l'entrata e l'uscita della coclea.
- Quando il prodotto è pulito, avviarlo per un breve periodo di tempo per scaricare l'acqua residua.



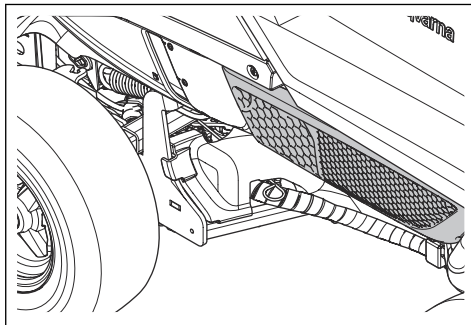
### Per pulire il motore e la marmitta

Mantenere il motore e la marmitta libera dall'erba tagliata e dallo sporco. L'erba tagliata immersa nell'olio o nel carburante sul motore può aumentare il rischio d'incendio e di surriscaldamento del motore. Lasciar raffreddare il motore prima di pulirlo. Pulire con acqua e una spazzola.

L'erba tagliata che si deposita intorno alla marmitta si secca velocemente e rappresenta un rischio d'incendio. Utilizzare una spazzola o rimuovere l'erba tagliata con l'acqua quando la marmitta è fredda.

### Per pulire la presa d'aria di raffreddamento del motore

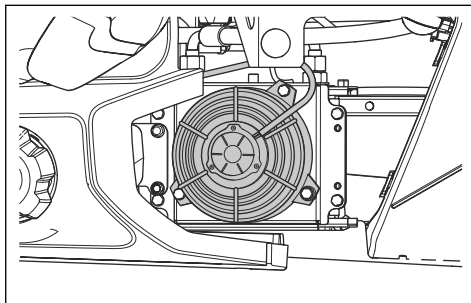
Assicurarsi che la presa d'aria di raffreddamento del motore non sia ostruita. Rimuovere l'erba e lo sporco con una spazzola.



### Per pulire il radiatore dell'olio idraulico

Solo per RC 320Ts AWD.

Assicurarsi che la ventola di raffreddamento dell'olio idraulico non sia ostruita e che l'area intorno al radiatore dell'olio idraulico sia pulita. Rimuovere l'erba e lo sporco con una spazzola.



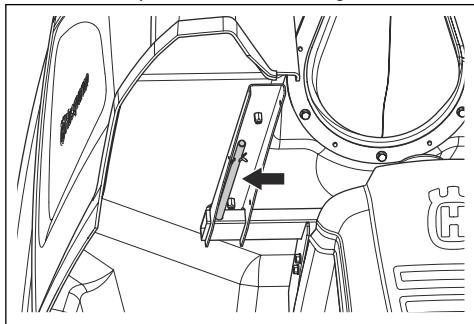
### Per rimuovere un blocco dalla coclea

Se il simbolo sul pulsante della coclea è di colore rosso e il prodotto emette un segnale acustico continuo, la coclea è bloccata. Il blocco deve essere rimosso manualmente.

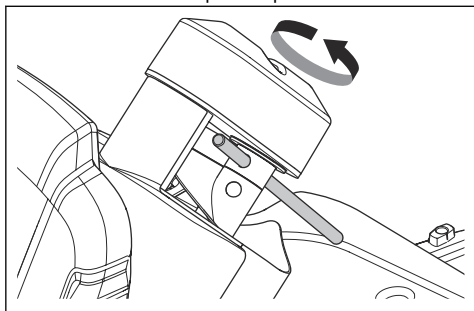
1. Inclinare il raccogliherba.



2. Staccare lo strumento per la manutenzione della coclea dalla parte inferiore del raccogliërba.



3. Inserire lo strumento per la manutenzione della coclea nel foro sulla parte superiore della coclea.



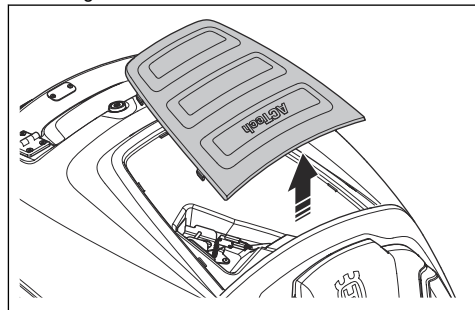
4. Tenere fermo lo strumento per la manutenzione della coclea e ruotare la coclea di 5 giri completi in senso antiorario. La causa del blocco viene spinta verso il basso ed espulsa dalla coclea.
5. Staccare lo strumento per la manutenzione della coclea e reinserirlo nel supporto sul lato inferiore del raccogliërba.
6. Abbassare il raccogliërba in posizione di funzionamento e avviare il motore.
7. Se il simbolo sul pulsante della coclea è di colore rosso e il prodotto emette un segnale acustico all'avviamento del motore, arrestare il motore.
8. Regolare il piatto di taglio in posizione di servizio e rimuovere manualmente il blocco dall'entrata della coclea.
9. Regolare il piatto di taglio in posizione di taglio e avviare il motore.
10. Se il simbolo sul pulsante della coclea è di colore rosso e il prodotto emette un segnale acustico all'avviamento del motore, arrestare il motore.
11. Chiedere aiuto a un'officina autorizzata.

**Nota:** Quando il blocco è stato rimosso, il prodotto si avvia in modalità di non raccolta ed è necessario selezionare nuovamente la modalità di raccolta.

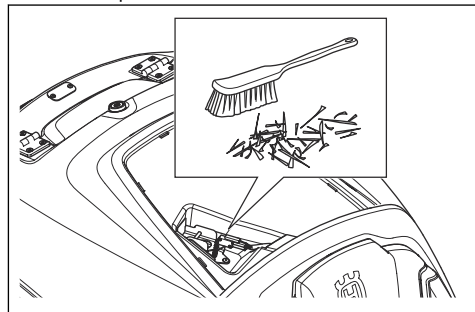
## Per pulire l'area attorno al sensore di rilevamento del raccogliërba pieno

Dopo molte ore di funzionamento, l'erba può accumularsi attorno al sensore di rilevamento del raccogliërba pieno. Se l'interruttore di comando della coclea non rileva che il raccogliërba è pieno, è necessario pulire l'area attorno al sensore.

1. Aprire il portello del raccogliërba.
2. Allentare i fermi del coperchio sulla superficie superiore interna del raccogliërba.
3. Rimuovere il coperchio sulla parte superiore del raccogliërba.



4. Rimuovere l'erba dall'area attorno al sensore di rilevamento del raccogliërba pieno con la mano o con una spazzola.



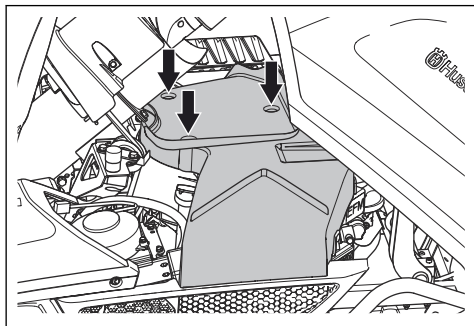
5. Rimettere il coperchio. Per prima cosa inserire l'estremità anteriore del coperchio, quindi spingere il coperchio verso il basso finché non scatta in posizione.

**Nota:** Se il problema persiste anche quando il sensore di rilevamento del raccogliërba pieno è pulito, contattare un'officina.

## Per rimuovere i coperchi

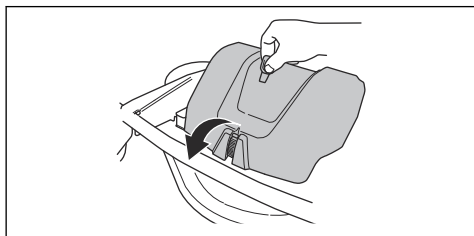
### Cofano motore

Inclinare il raccoglierba per accedere al vano motore, rimuovere le 3 viti ed estrarre il cofano.



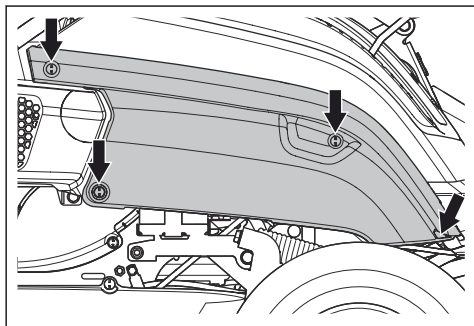
### Coperchio anteriore

Rilasciare il fermo sul coperchio anteriore con l'attrezzo fissato sulla chiave di accensione e sollevare il coperchio.



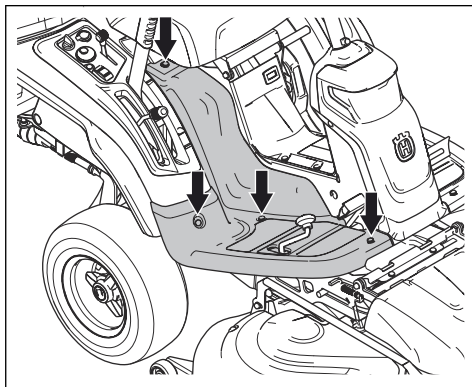
### Carter laterale

Rimuovere le 4 viti ed estrarre il coperchio.



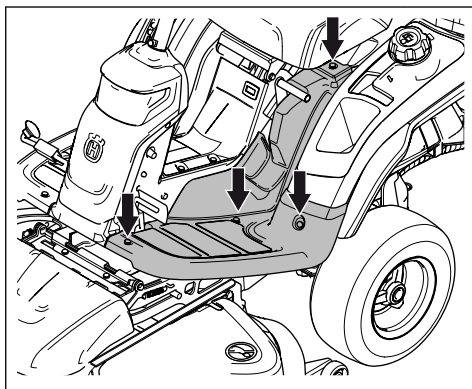
### Piastra poggiatesta destra

Girare la manopola sul pedale di retromarcia per rimuoverlo. Svitare le 4 viti e rimuovere la piastra poggiatesta.



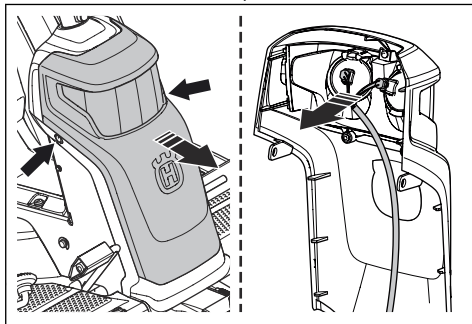
### Piastra poggiatesta sinistra

Svitare le 4 viti e rimuovere la piastra poggiatesta.



### Per sostituire una lampadina rotta

1. Rimuovere le 2 viti sul coperchio e sollevarlo.



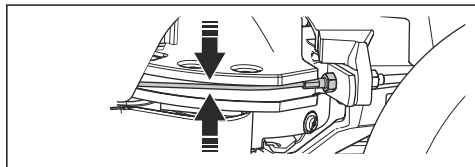
2. Scollegare i cavi dalla lampadina rotta.
3. Sostituire la lampadina e collegare i cavi per la nuova lampadina. Utilizzare il tipo di lampadina indicato in *Caratteristiche tecniche alla pagina 110*
4. Montare il coperchio e serrare le viti.

## Per esaminare i cavi dello sterzo

La tensione dei cavi dello sterzo può diminuire dopo un certo periodo di tempo. Questo fa sì che la regolazione dello sterzo cambi.

Esaminare e regolare lo sterzo nel seguente modo:

1. I cavi dello sterzo sono serrati correttamente se è possibile spostarli manualmente di 5 mm verso l'alto o verso il basso nella scanalatura sul collarino dello sterzo.



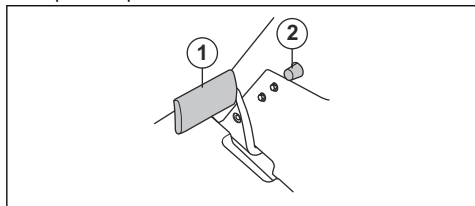
2. Se i cavi sono troppo lenti, affidarne la regolazione a un'officina autorizzata.

## Per effettuare un controllo del freno di stazionamento

1. Parcheggiare il prodotto su una superficie dura in pendenza.

**Nota:** Non parcheggiare il prodotto su un prato in pendenza quando si esegue un controllo del freno di stazionamento.

2. Premere il pedale del freno di stazionamento (1).
3. Tenere premuto il pulsante di bloccaggio (2) e rilasciare il pedale del freno di stazionamento mentre si preme il pulsante.

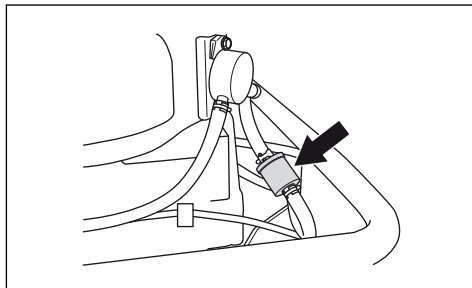


4. Se il prodotto inizia a muoversi, affidare la regolazione del freno di stazionamento a un'officina autorizzata.
5. Premere di nuovo il pedale del freno di stazionamento per rilasciarlo.

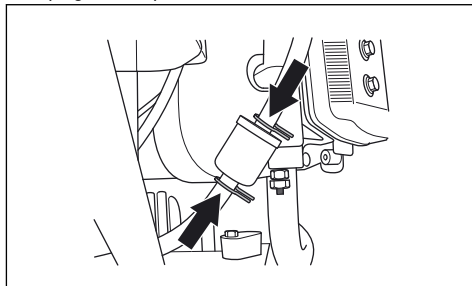
## Per sostituire il filtro del carburante

1. Inclinare il raccogliërba per accedere al filtro del carburante.

2. Usare un paio di pinze piatte per togliere le clip del tubo dal filtro.
3. Estrarre il filtro dalle estremità del tubo.

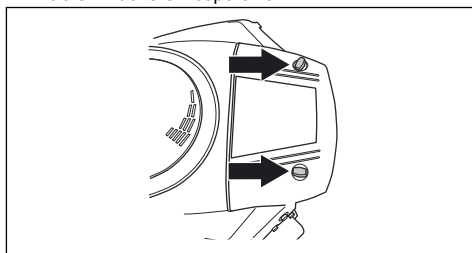


4. Premere il nuovo filtro nelle estremità dei tubi. Applicare detergente liquido sulle estremità del filtro per rendere più semplice il collegamento.
5. Spingere le clip del tubo sul filtro.

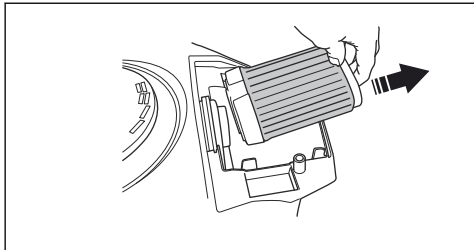


## Per pulire e sostituire il filtro dell'aria

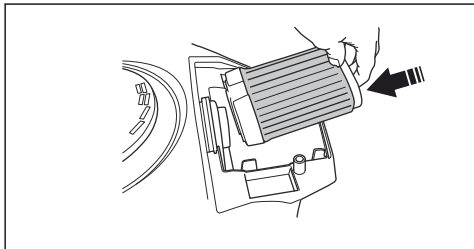
1. Aprire il cofano del motore.
2. Allentare le manopole che fissano il coperchio del filtro e rimuovere il coperchio.



3. Sollevare l'estremità del filtro dell'aria per rimuoverlo.



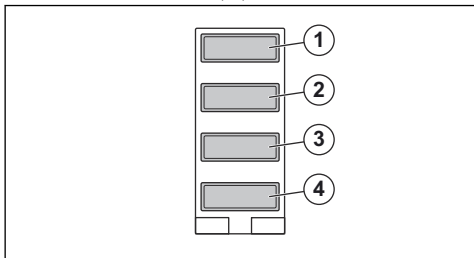
4. Scuotere il filtro di carta contro una superficie dura per pulirlo. Non usare aria compressa.
5. Se il filtro di carta non si pulisce, sostituirlo.
6. Reinscrivere il filtro dell'aria sul tubo flessibile dell'aria.



7. Spingere il filtro aria nella posizione corretta.
8. Fissare il coperchio del filtro dell'aria e serrare le manopole.

## Per sostituire un fusibile

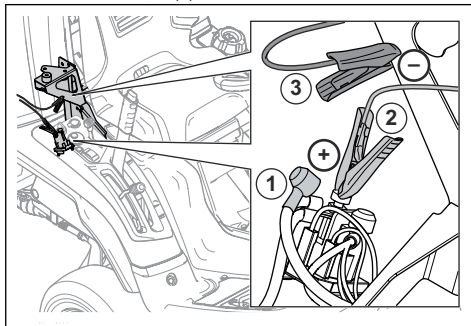
1. Rimuovere il coperchio lato destro, vedere *Carter laterale alla pagina 98*
2. Sostituire il fusibile bruciato con uno nuovo. Fare riferimento alla figura. (1) Accensione, 15 A. (2) Comando coclea, 7,5 A. (3) Attuatore, 30 A. (4) Presa di corrente 12 V, 7,5 A.



## Per caricare la batteria

1. Inclinare il sedile in avanti.
2. Rimuovere il tappo di gomma (1) dall'elettrovalvola che collega il cavo rosso alla batteria.

3. Collegare il cavo rosso (+) dal caricabatteria all'elettrovalvola (2).



**ATTENZIONE:** Per evitare cortocircuiti, assicurarsi che il cavo rosso del caricabatteria sia collegato all'elettrovalvola corretta.

4. Collegare il cavo nero (-) dal caricabatteria a una parte in metallo zincato come mostrato nella figura (3).



**AVVERTENZA:** La batteria e impianto elettrico possono danneggiarsi e causare lesioni se non viene utilizzato il tipo di caricabatteria corretto. Utilizzare solo i caricabatteria indicati da Husqvarna per questo tipo di batteria (LiFePO<sub>4</sub>).

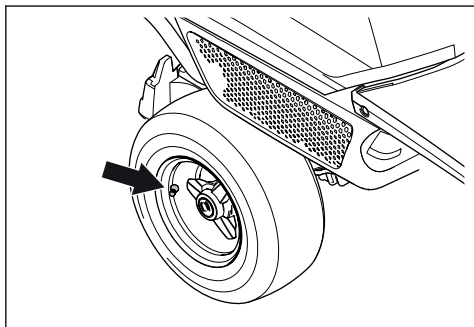
5. Accendere il caricabatteria.

**Nota:** Se la tensione della batteria è troppo bassa, la batteria entra in modalità di protezione. Il caricabatteria non può rilevare la batteria e non si carica. In tal caso, tenere premuto il pulsante reset sul caricabatteria per 10 secondi finché non inizia a caricare. Per ulteriori informazioni vedere le istruzioni fornite con il caricabatteria.

6. Quando la batteria è carica, spegnere il caricabatteria e scolgarlo dalla batteria.
7. Inserire di nuovo il tappo di gomma (1) sull'elettrovalvola.

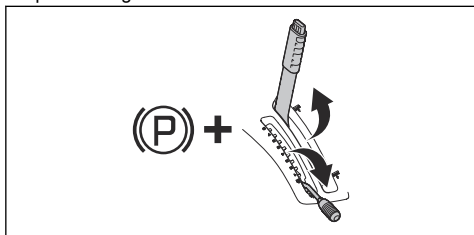
## Per regolare la pressione degli pneumatici

La pressione degli pneumatici corretta è di 150 kPa (1,5 bar / 21,8 PSI) su tutti e 4 gli pneumatici.

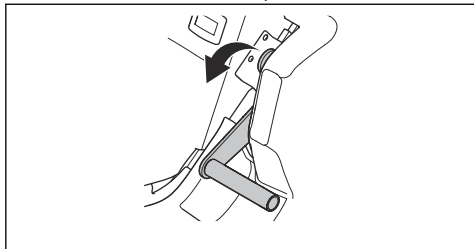


## Per mettere il piatto di taglio in posizione di servizio

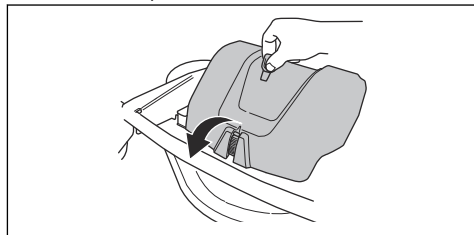
1. Parcheggiare il prodotto su un terreno piano.
2. Azionare il freno di stazionamento.
3. Portare la leva dell'altezza di taglio nella posizione di servizio.
4. Tirare all'indietro la leva di sollevamento del piatto di taglio fino alla posizione di blocco per sollevare il piatto di taglio.



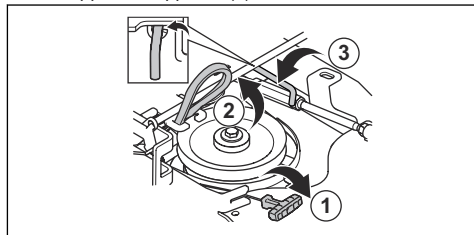
5. Abbassare la leva di comando della coclea per sollevare la coclea alla posizione di servizio.



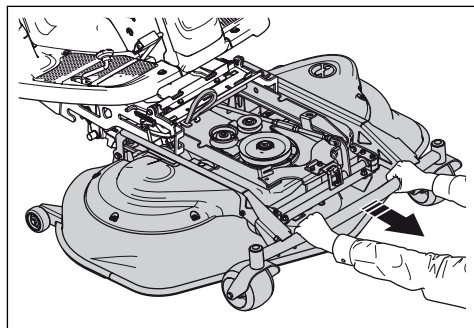
6. Rilasciare il fermo sul coperchio anteriore con l'attrezzo fissato sulla chiave di accensione e sollevare il coperchio.



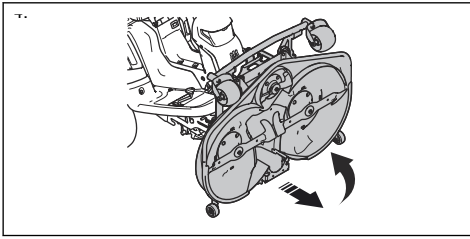
7. Tirare la leva a molla (1) verso destra per estrarla dalla sede e allentare la tensione della cinghia di trasmissione.
8. Tenere la leva a molla con la mano sinistra e sollevare la cinghia di trasmissione con la mano destra.
9. Inserire la cinghia di trasmissione nel rispettivo supporto (2).
10. Inserire la leva a molla nella sede per evitare che la molla cada.
11. Sollevare il sostegno dell'altezza di taglio e inserirlo nell'apposito supporto. (3)



12. Afferrare il bordo anteriore del piatto di taglio con entrambe le mani e tirare in avanti finché non si arresta.

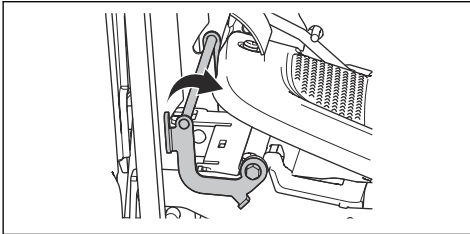


13. Sollevare il piatto di taglio in posizione verticale fino a quando non si avverte un clic. Il piatto di taglio si blocca automaticamente in posizione verticale.

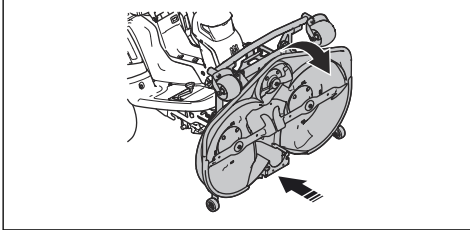


## Per mettere il piatto di taglio in posizione di falciatura

1. Afferrare il bordo anteriore del piatto di taglio con la mano sinistra.
2. Allentare il blocco con la mano destra.

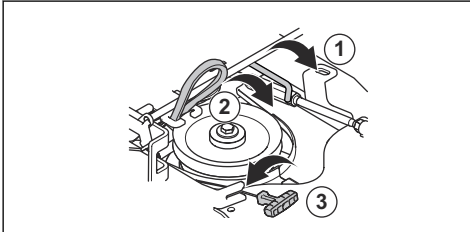


3. Piegare il piatto di taglio e premere fino alla battuta.

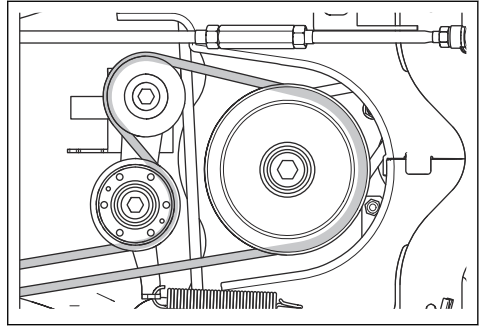


**ATTENZIONE:** La cinghia di trasmissione può rimanere intrappolata sotto il piatto di taglio. Tirare l'anello della cinghia di trasmissione nel supporto cinghia prima di inserire il piatto di taglio.

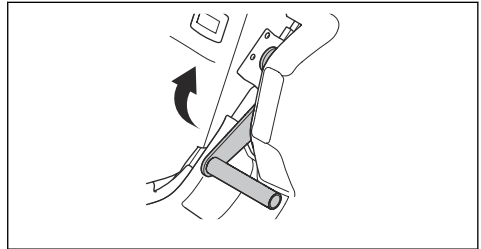
4. Sollevare il sostegno dell'altezza di taglio dal supporto e inserirlo nel foro (1).



5. Tenere la leva a molla e sollevare la cinghia di trasmissione dal supporto.
6. Posizionare la cinghia di trasmissione intorno alla ruota di tensionamento (2). Assicurarsi che la cinghia di trasmissione funzioni, come mostrato nella figura.



7. Posizionare la molla nell'alloggiamento (3).
8. Tirare la leva della posizione di servizio della coclea verso l'alto nella posizione di funzionamento.



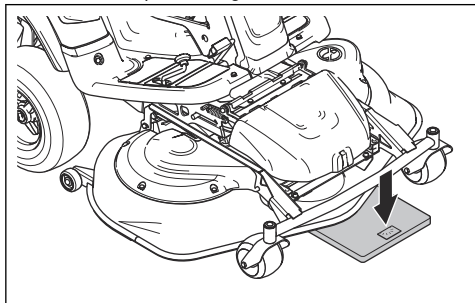
9. Collegare il coperchio anteriore.
10. Impostare la leva dell'altezza di taglio su una delle posizioni da 1 a 8.

## Per effettuare un controllo e regolare la pressione del piatto di taglio sul terreno

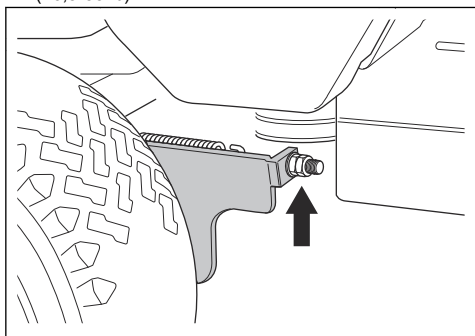
Per ottenere i migliori risultati di taglio, è importante che la pressione corretta del piatto di taglio venga applicata sulla superficie sottostante.

1. Assicurarsi che la pressione dell'aria negli pneumatici sia di 150 kPa (1,5 bar, 21,8 PSI).
2. Parcheggiare il prodotto su una superficie piana.
3. Abbassare il piatto di taglio fino alla posizione di taglio.

4. Mettere una bilancia pesapersona sotto il bordo anteriore del piatto di taglio.



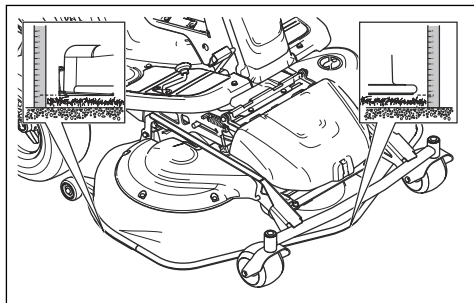
5. Per assicurarsi che le ruote di supporto non esercitino alcuna pressione, inserire un cuneo tra il telaio e la bilancia.
6. Per regolare la pressione sul terreno, ruotare le viti di regolazione dietro le ruote anteriori sui lati destro e sinistro.
7. Ruotare le viti a destra o sinistra fino a quando la pressione sul terreno non è compresa tra 12 e 15 Kg (26,5-33 lb).



### Per effettuare un controllo del parallelismo del piatto di taglio

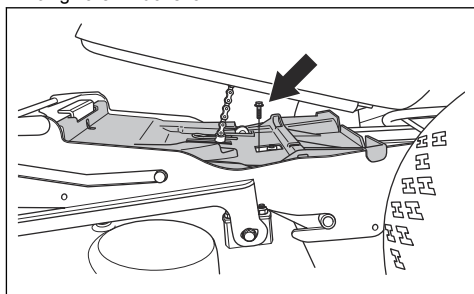
1. Assicurarsi che la pressione dell'aria negli pneumatici sia di 150 kPa (1,5 bar, 21,8 PSI).
2. Parcheggiare il prodotto su una superficie piana.
3. Abbassare il piatto di taglio fino alla posizione di taglio.

4. Misurare la distanza tra il suolo e i bordi anteriore e posteriore del piatto di taglio e assicurarsi che il bordo posteriore sia 4-6 mm (1/5") più in alto rispetto al bordo anteriore.

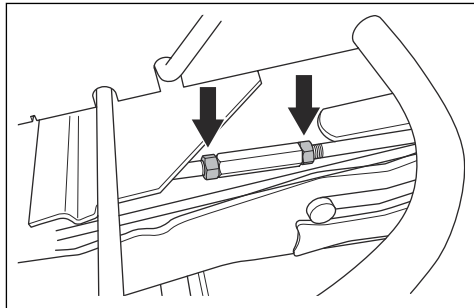


### Per regolare il parallelismo del piatto di taglio

1. Rimuovere il coperchio anteriore e la piastra poggiapiedi destra.
2. Rimuovere le viti che fissano la protezione della cinghia e rimuoverla.

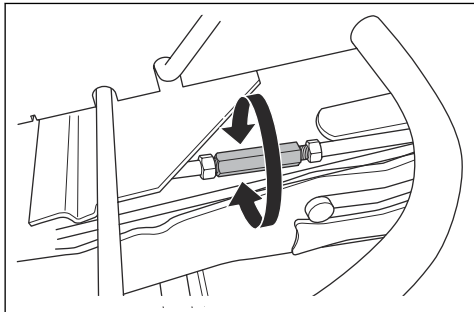


3. Allentare i dadi dei pistoncini.





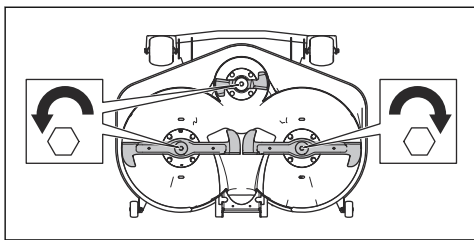
- Girare il pistoncino per estendere o ridurre il sostegno. Estendere il sostegno per sollevare il bordo posteriore del coperchio. Ridurre il sostegno per abbassare il bordo posteriore del coperchio.



- Serrare i dadi del pistoncino a regolazione terminata.
- Eseguire un controllo del parallelismo. Vedere *Per effettuare un controllo del parallelismo del piatto di taglio alla pagina 103*.
- Montare il proteggicinghia e serrare le viti.
- Montare la piastra poggiapiedi destra e il coperchio anteriore.

## Per esaminare le lame

Mettere il piatto di taglio in posizione di servizio. Esaminare le lame per verificare se sono danneggiate e, qualora sia necessario, per affilarle. Serrare i bulloni delle lame a una coppia di serraggio di 60 Nm, nel senso indicato dalle frecce nella figura.



**ATTENZIONE:** Lame danneggiate o non bilanciate causano uno squilibrio che può danneggiare il prodotto. Sostituire le lame danneggiate. Affidare a un'officina autorizzata l'affilatura e il bilanciamento delle lame.

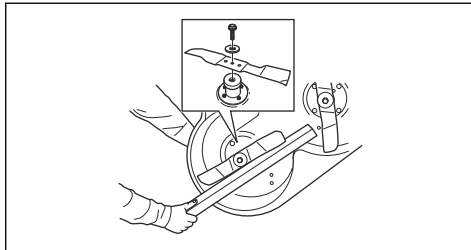
## Per sostituire le lame



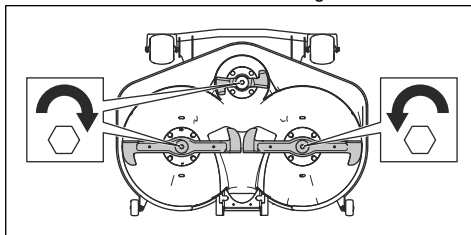
**ATTENZIONE:** Le teste dei bulloni possono essere danneggiate se si tenta di allentarle nella direzione errata.

- Mettere il piatto di taglio in posizione di servizio.

- Bloccare la lama con un cuneo di legno.



- Allentare e rimuovere il bullone della lama, le rondelle e la lama. Allentare i bulloni delle lame nel senso indicato dalle frecce nella figura.



- Montare la nuova lama con l'estremità ad angolo nella direzione del piatto di taglio.

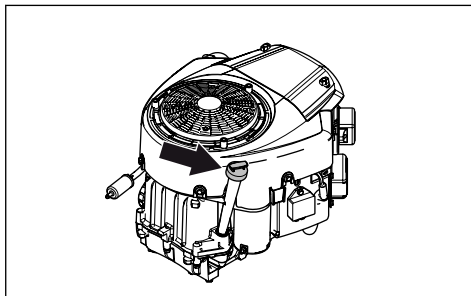


**AVVERTENZA:** Un tipo di lama errato può causare l'espulsione di oggetti dal piatto di taglio e lesioni gravi. Utilizzare solo le lame indicate in *Caratteristiche tecniche alla pagina 110*

- Fissare la lama con la rondella e il bullone a una coppia di serraggio di 60 Nm.

## Per effettuare un controllo del livello dell'olio motore

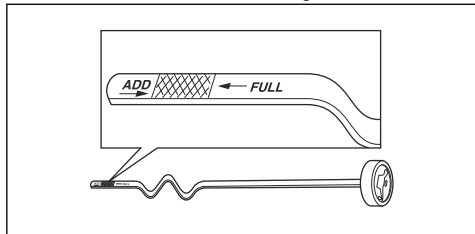
- Parcheggiare il prodotto su un terreno piano e spegnere il motore.
- Aprire il cofano del motore.
- Allentare l'asta di livello ed estrarla.



- Pulire l'olio dall'asta di livello.



5. Riposizionare l'asta di livello e serrarla.
6. Allentare e sfilare l'asta di livello e leggere il livello dell'olio.
7. Il livello dell'olio deve essere compreso tra i segni sull'asta di livello. Se il livello si trova vicino al segno ADD, rabboccare l'olio fino al segno FULL.



8. Versare l'olio attraverso il foro dell'asta di livello. Rabboccare l'olio lentamente.

**Nota:** Vedere *Caratteristiche tecniche alla pagina 110* per i tipi di olio motore raccomandati. Non mescolare tipi diversi di olio.

9. Serrare l'asta di livello correttamente prima di avviare il motore. Avviare e far girare il motore al minimo per circa 30 secondi. Spegnerlo il motore. Attendere 30 secondi, quindi eseguire un nuovo controllo del livello dell'olio.

## Per sostituire l'olio motore e il filtro dell'olio

Se il motore è freddo, avviare il motore per 1-2 minuti prima di scaricare l'olio motore. Ciò comporta il riscaldamento dell'olio motore, semplificando lo scarico.

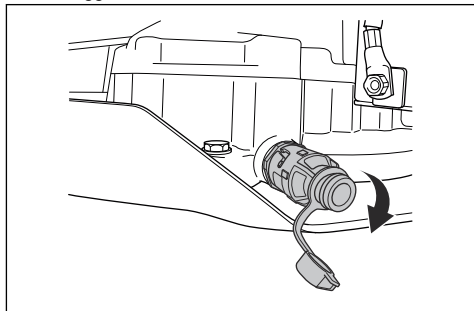


**AVVERTENZA:** Non avviare il motore per più di 1-2 minuti prima di scaricare l'olio motore. L'olio motore diventa molto caldo e può causare ustioni. Lasciare che il motore si raffreddi prima di scaricare l'olio motore.

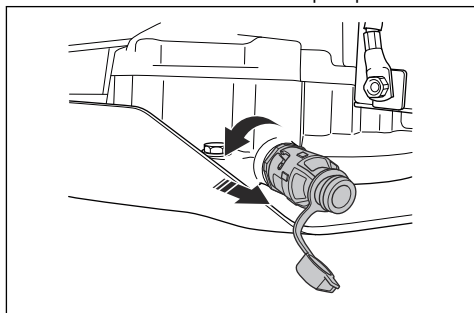


**AVVERTENZA:** Se si versa accidentalmente dell'olio motore sul proprio corpo, lavare con acqua e sapone.

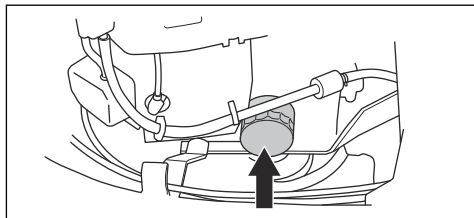
1. Aprire il tappo di plastica sull'estremità del tappo di drenaggio dell'olio.



2. Per rendere lo scarico dell'olio più semplice e senza sversamenti, collegare ad esempio un tubo di plastica all'estremità del tappo di drenaggio dell'olio.
3. Collocare un contenitore sotto il tappo di drenaggio dell'olio.
4. Rimuovere l'asta di livello.
5. Ruotare il tappo di drenaggio dell'olio in senso antiorario e tirarlo verso l'esterno per aprirlo.



6. Far fuoriuscire l'olio nel contenitore.
7. Spingere il tappo di drenaggio dell'olio e ruotarlo in senso orario per chiuderlo.
8. Rimuovere il tubo di plastica e rimettere il tappo sul tappo di drenaggio dell'olio.
9. Ruotare il filtro dell'olio in senso antiorario per rimuoverlo.



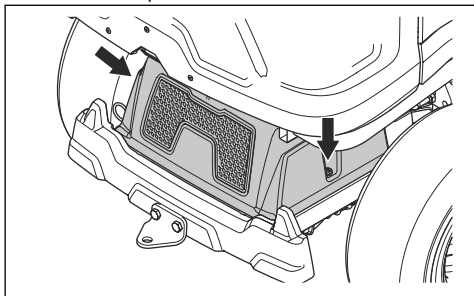
10. Lubrificare leggermente la guarnizione in gomma sul nuovo filtro dell'olio con olio nuovo.

11. Per fissare il filtro dell'olio, girarlo in senso orario a mano fino a quando la guarnizione in gomma non è in posizione, quindi serrare di un altro mezzo giro.
12. Riempire con olio nuovo come indicato in *Per effettuare un controllo del livello dell'olio motore alla pagina 104*
13. Avviare il motore e lasciarlo girare al minimo per 3 minuti.
14. Arrestare il motore e assicurarsi che il filtro dell'olio non presenti perdite.
15. Riempire di olio per compensare l'olio contenuto nel filtro dell'olio nuovo.

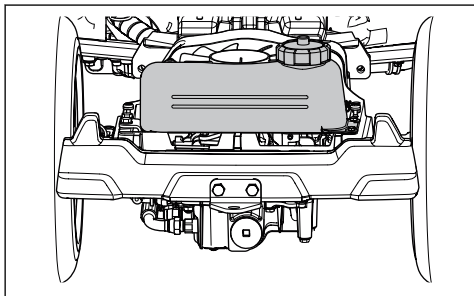
**Nota:** Per lo smaltimento sicuro dell'olio motore esausto, vedere *Smaltimento alla pagina 109*.

## Per effettuare un controllo del livello dell'olio della trasmissione

1. Rimuovere le due viti, una su ciascun lato, e sollevare il coperchio della trasmissione.



2. Assicurarsi che il livello dell'olio nel serbatoio dell'olio di trasmissione sia compreso tra le due linee orizzontali sul serbatoio.

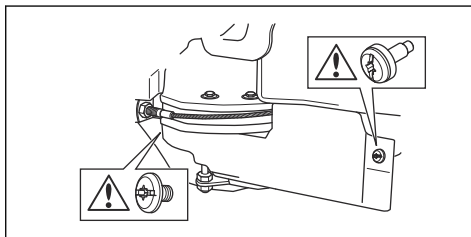


3. Rabboccare con olio motore se il livello è al di sotto della linea inferiore, ma non riempire oltre la linea superiore. Consultare la sezione *Caratteristiche tecniche alla pagina 110* per informazioni sull'olio consigliato per i modelli RC 318T e RC 320Ts AWD. RC 320Ts AWD prevede l'uso di un olio sintetico.

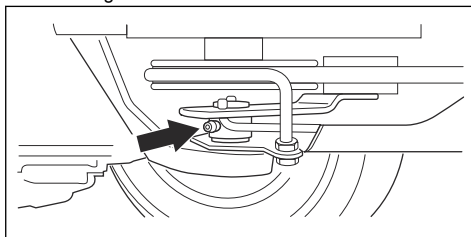
## Per lubrificare il regolatore della cinghia

Il regolatore della cinghia deve essere lubrificato regolarmente con un grasso al bisolfuro di molibdeno di buona qualità.

1. Rimuovere le 2 viti che fissano il proteggicinghia e sollevarlo.



2. Lubrificare con una pistola ingrassatrice, 1 ugello dal lato destro sotto la puleggia della cinghia inferiore, finché il grasso non fuoriesce.



3. Montare il proteggicinghia e serrare le 2 viti.

## Anomalie di funzionamento

### Ricerca dei guasti

Se non si riesce a trovare la soluzione al problema in questo Manuale, rivolgersi alla propria officina autorizzata Husqvarna.

<b>Problema</b>	<b>Causa</b>
Il motorino di avviamento non fa girare il motore	Il freno di stazionamento non è inserito. Vedere <i>Circuito di sicurezza alla pagina 84</i> .
	La leva di sollevamento del piatto di taglio è in posizione di taglio. Vedere <i>Circuito di sicurezza alla pagina 84</i> .
	Il fusibile principale è bruciato. Vedere <i>Per sostituire un fusibile alla pagina 100</i> .
	Il blocco accensione è difettoso.
	Il collegamento tra il cavo e la batteria è difettoso. Vedere <i>Sicurezza batterie alla pagina 86</i> .
	La batteria è troppo debole. Vedere <i>Per caricare la batteria alla pagina 100</i> .
	Il motore di avviamento è difettoso.
Il motore non si avvia quando il motorino di avviamento gira il motore	Non è presente carburante nel serbatoio. Vedere <i>Per il rifornimento del carburante alla pagina 89</i> .
	La candela è difettosa.
	Il cavo di accensione è difettoso.
	È presente dello sporco nel carburatore o nel tubo del carburante.
Il motore non gira in modo regolare	La candela è difettosa.
	Il carburatore è impostato in modo errato.
	Il filtro dell'aria è ostruito. Vedere <i>Per pulire e sostituire il filtro dell'aria alla pagina 99</i> .
	Lo sfiato del serbatoio carburante è bloccato.
	È presente dello sporco nel carburatore o nel tubo del carburante.
Il motore apparentemente non è alimentato	Il filtro dell'aria è ostruito. Vedere <i>Per pulire e sostituire il filtro dell'aria alla pagina 99</i> .
	La candela è difettosa.
	È presente dello sporco nel carburatore o nel tubo del carburante.
	Il cavo dell'acceleratore è regolato in modo errato.
La trasmissione non dispone di sufficiente potenza	La presa d'aria di raffreddamento della trasmissione o le flange di raffreddamento sono bloccate.
	La ventola sulla trasmissione è danneggiata.
	La ventola di raffreddamento dell'olio idraulico (solo RC 320Ts AWD) è bloccata. Vedere <i>Per pulire il radiatore dell'olio idraulico alla pagina 96</i> .
	La ventola di raffreddamento dell'olio idraulico (solo RC 320Ts AWD) è danneggiata.
	Non c'è olio nella trasmissione o il livello dell'olio è troppo basso. Vedere <i>Per effettuare un controllo del livello dell'olio della trasmissione alla pagina 106</i> .

Problema	Causa
La batteria non si ricarica	La batteria è difettosa. Vedere <i>Sicurezza batterie alla pagina 86</i> .
	Il collegamento in corrispondenza dei connettori del cavo sui morsetti della batteria è difettoso. Vedere <i>Sicurezza batterie alla pagina 86</i> .
	La batteria è in modalità di protezione. Vedere <i>Per caricare la batteria alla pagina 100</i> .
Si verificano vibrazioni nel prodotto	Il raccogliherba è pieno. L'operatore ha ignorato il segnale di raccogliherba pieno o il relativo sensore è impostato nella posizione errata. Vedere <i>Per regolare il sensore di rilevamento del raccogliherba pieno alla pagina 90</i> .
	Il prodotto viene usato con erba lunga, fitta e/o bagnata in modalità di non raccolta. Vedere <i>Per ottenere un buon risultato di taglio alla pagina 93</i> .
	Le lame sono allentate. Vedere <i>Per esaminare le lame alla pagina 104</i> .
	Una o più lame sono sbilanciate. Vedere <i>Per esaminare le lame alla pagina 104</i> .
	La coclea è danneggiata.
	Il motore è allentato.
I risultati di taglio sono insoddisfacenti	Le lame non sono affilate. Vedere <i>Per sostituire le lame alla pagina 104</i> .
	L'erba è alta o bagnata. Vedere <i>Per ottenere un buon risultato di taglio alla pagina 93</i> .
	Il piatto di taglio è disallineato.
	C'è dell'erba bloccata nel piatto di taglio. Vedere <i>Per pulire il prodotto alla pagina 95</i> .
	La pressione degli pneumatici è diversa sui lati destro e sinistro. Vedere <i>Per regolare la pressione degli pneumatici alla pagina 101</i> .
	Il prodotto funziona a un regime troppo elevato. Vedere <i>Per ottenere un buon risultato di taglio alla pagina 93</i> .
	Il regime del motore è troppo basso. Vedere <i>Per ottenere un buon risultato di taglio alla pagina 93</i> .
	La cinghia di trasmissione slitta.

## Trasporto, stoccaggio e smaltimento

### Trasporto

- Il prodotto ha un peso elevato e può causare lesioni da schiacciamento. Prestare attenzione durante il caricamento su un veicolo o rimorchio o durante lo scaricamento.
- Utilizzare un rimorchio omologato per il trasporto del prodotto.
- Accertarsi di conoscere le norme sulla circolazione stradale prima del trasporto del prodotto in un rimorchio o su strada.

### Per fissare il prodotto in modo sicuro a un rimorchio per il trasporto



**AVVERTENZA:** Il freno di stazionamento non è sufficiente per bloccare il prodotto durante il trasporto. Fissare saldamente il prodotto al rimorchio.

Attrezzatura: 2 cinghie di tensionamento approvate e 4 blocchi fermaruote a forma di cuneo.

1. Azionare il freno di stazionamento.
2. Fissare le cinghie di tensionamento intorno al telaio o al vagone posteriore.

3. Stringere le cinghie di tensionamento in direzione della parte posteriore e anteriore del rimorchio per fissare il prodotto.
4. Posizionare i fermaruote davanti e dietro alle ruote posteriori.

## Per il traino del prodotto

Il prodotto è dotato di trasmissione idrostatica. Per evitare danni alla trasmissione, rimorchiare il prodotto solo per brevi distanze e a bassa velocità.

Disinserire la trasmissione durante il traino. Vedere *Per inserire e disinserire il sistema di trasmissione alla pagina 90*.

## Conservazione

Preparare il prodotto per il rimessaggio al termine della stagione e in caso di inutilizzo per un periodo superiore a 30 giorni. Se si lascia il carburante all'interno del serbatoio del carburante per 30 giorni o più, le particelle appiccicose possono creare intasamenti nel carburatore. Ciò ha un effetto negativo sul funzionamento del motore.

Per evitare la formazione di particelle appiccicose durante il rimessaggio, aggiungere uno stabilizzatore. Se si utilizza benzina alchilata, lo stabilizzatore non è necessario. Se si utilizza benzina standard, non passare alla benzina alchilata. Ciò può causare l'indurimento dei componenti sensibili di gomma. Aggiungere lo stabilizzatore alla benzina nel serbatoio o nel contenitore utilizzato per lo stoccaggio. Utilizzare sempre i rapporti di miscelazione indicati dal produttore. Far girare il motore per almeno 10 minuti dopo aver aggiunto lo stabilizzatore fino a quando non scorre nel carburatore.



**AVVERTENZA:** Non conservare il prodotto con del carburante nel serbatoio in un luogo chiuso o in luoghi con scarsa circolazione d'aria. Se i vapori tossici entrano a contatto con fiamme, scintille o fiamme pilota, come ad esempio in caldaie, serbatoi d'acqua calda e asciugatrici, sussiste il rischio di incendio.



**AVVERTENZA:** Rimuovere l'erba, le foglie e altri materiali infiammabili dal prodotto per ridurre il rischio di incendio. Lasciare che il prodotto si raffreddi prima del rimessaggio.

- Pulire il prodotto, vedere *Per pulire il prodotto alla pagina 95*. Ritoccare i danni alla vernice per evitare la corrosione.
- Esaminare il prodotto per verificare la presenza di parti usurate o danneggiate e serrare le viti e i dadi allentati.
- Caricare la batteria. Utilizzare solo i caricabatteria indicati da Husqvarna per questo tipo di batteria (LiFePO<sub>4</sub>).
- Cambiare l'olio motore e smaltire l'olio di scarico.

- Svuotare il serbatoio del carburante. Avviare il motore e farlo girare fino a quando non si esaurisce tutto il carburante nel carburatore.

---

**Nota:** Non svuotare il serbatoio del carburante e il carburatore se si è aggiunto lo stabilizzatore.

---

- Rimuovere i tappi e versare circa un cucchiaino di olio motore in ogni cilindro. Ruotare manualmente l'albero motore per distribuire uniformemente l'olio e riavvitare i tappi.
- Lubrificare tutti gli ingrassatori, i giunti e gli assali.
- Conservare il prodotto in un'area pulita e asciutta e coprirlo per una maggiore protezione.
- Un coperchio per proteggere il prodotto durante lo stoccaggio o il trasporto è disponibile presso il proprio rivenditore.

## Smaltimento

- Le sostanze chimiche possono essere pericolose e non devono essere disperse nel suolo. Smaltire sempre le sostanze chimiche utilizzate presso un centro di assistenza o un centro di smaltimento autorizzato.
- Quando il prodotto è usurato, inviarlo al rivenditore o a un centro di riciclaggio autorizzato.
- Olio, filtri dell'olio, carburante e batteria possono contaminare l'ambiente. Rispettare le norme locali sul riciclaggio e le normative vigenti.
- Non smaltire la batteria come un rifiuto domestico.
- Inviare la batteria a un'officina Husqvarna o smaltirla in un centro specializzato nello smaltimento delle batterie usate.

## Dati tecnici

### Caratteristiche tecniche

	RC 318T	RC 320Ts AWD
<b>Dimensioni</b>		
Lunghezza senza piatto di taglio, mm	2089	2089
Larghezza senza piatto di taglio, mm	1030	1030
Lunghezza compreso il piatto di taglio, mm	2394	2394
Altezza, mm	1284	1284
Peso senza piatto di taglio, con serbatoi vuoti, kg	326	327
Passo, mm	903	903
Carreggiata, anteriore, mm	860	860
Carreggiata, posteriore, mm	670	670
Dimensioni degli pneumatici	16 x6,50x8	16 x6,50x8
Pressioni degli pneumatici, posteriore - anteriore, kPA / bar / psi	150 / 1,5 / 21,8	150 / 1,5 / 21,8
Pendenza massima, gradi °	10	10
<b>Motore</b>		
Marca / Modello	Briggs & Stratton / Endurance 7200 Twin	Briggs & Stratton / Endurance 7220 Twin
Potenza nominale motore, kW <sup>9</sup>	12,6	12,6
Cilindrata, cm <sup>3</sup>	656	656
Massimo regime del motore, giri/min	3000 +/- 100	3000 +/- 100
Massima velocità di avanzamento, km/h	8,5	8,5
Carburante, numero minimo di ottani senza piombo	91	91
Volume serbatoio, litri	12	12
Olio	Classe SF, SG, SH o SJ SAE40, SAE30, SAE10W-30, SAE10W-40 o SAE5W-20	Classe SF, SG, SH o SJ SAE40, SAE30, SAE10W-30, SAE10W-40 o SAE5W-20
Volume dell'olio filtro incluso, litri	1,9	1,9
Volume dell'olio filtro escluso, litri	1,6	1,6
Motorino di avviamento	Avviamento elettrico 12 V	Avviamento elettrico 12 V
<b>Trasmissione</b>		

<sup>9</sup> La potenza nominale del motore indicata corrisponde alla potenza netta media (al rapporto giri/min. specificato) di un tipico motore in fase di produzione per il modello di motore misurato dalla normativa SAE J1349/ISO1585. I motori per produzione di massa potrebbero presentare un valore diverso da questo. La potenza effettiva del motore installato nel prodotto finale dipende dalla velocità di funzionamento, dalle condizioni ambientali e da altri valori.

	<b>RC 318T</b>	<b>RC 320Ts AWD</b>
Marchio	Tuff Torq	Tuff Torq
Modello	K66 AT	K664M / KTM10T
Olio, classe SF-CC	SAE 10W/40	SAE 10W/50 Synthetic
<b>Impianto elettrico</b>		
Tipo	12 V, messa a terra negativa	12 V, messa a terra negativa
Batteria	LiFePO <sub>4</sub>	LiFePO <sub>4</sub>
Max. tensione di carica della batteria	14,4V	14,4V
Max. corrente di carica della batteria	3,0 A	3,0 A
Candela	XC92YC	XC92YC
Distanza tra gli elettrodi, mm/pollici	0,75/0,030	0,75/0,030
Lampada	LED GU5.3 12v 4.5-6.5W	LED GU5.3 12v 4.5-6.5W
<b>Piatto di taglio</b>		
Tipo	Combi 103	Combi 103
	Combi 112	Combi 112

<b>Piatto di taglio</b>	<b>Combi 103</b>	<b>Combi 112</b>
Larghezza, mm	1086	1176
Larghezza di taglio, mm	1030	1120
Altezza di taglio, 8 posizioni, mm	25-75	25-75
Peso, kg	63	63
<b>Emissioni di rumore<sup>10</sup></b>		
Livello potenza acustica, misurato dB(A)	99	99
Livello potenza acustica, garantito dB(A)	100	100
<b>Livelli di rumorosità<sup>11</sup></b>		
Livello di pressione sonora all'orecchio dell'operatore, dB(A)	85	85
<b>Livelli di vibrazioni<sup>12</sup></b>		
Livello di vibrazioni sul volante, m/s <sup>2</sup>	2,4 m/s <sup>2</sup>	2,4 m/s <sup>2</sup>
Livello di vibrazioni sul sedile, m/s <sup>2</sup>	0,5 m/s <sup>2</sup>	0,5 m/s <sup>2</sup>
<b>Lame</b>		
Lunghezza della lama sinistra e destra, mm	510	555

<sup>10</sup> Emissioni di rumore nell'ambiente misurate come potenza sonora (L<sub>WA</sub>) in base alla direttiva CE 2000/14/CE.

<sup>11</sup> Livello di pressione acustica in ottemperanza alla norma EN ISO 5395. I dati riportati per il livello di pressione acustica hanno una dispersione statistica tipica (deviazione standard) di 1,2 dB(A).

<sup>12</sup> Livello di vibrazioni in ottemperanza alla norma EN ISO 5395. I dati riportati per il livello di vibrazioni hanno una dispersione statistica tipica (deviazione standard) di 0,2 m/s<sup>2</sup> (volante) e 0,8 m/s<sup>2</sup> (sedile).

Piatto di taglio	Combi 103	Combi 112
Lunghezza della lama centrata, mm	243	243
Codice articolo lama sinistra	590 74 94-10	588 82 43-10
Codice articolo lama destra	590 74 94-20	588 82 43-20
Codice articolo lama centrata	588 82 44-10	588 82 44-10



**AVVERTENZA:** Utilizzare un piatto di taglio non omologato per il prodotto può causare l'espulsione ad alta velocità di oggetti e

lesioni gravi. Non utilizzare tipi di piatti di taglio diversi da quelli indicati in questo manuale dell'operatore.

---

## Assistenza

---

### Assistenza

Eseguire un controllo annuale presso un centro di assistenza autorizzato per assicurarsi che il prodotto funzioni in modo sicuro e al meglio durante l'alta stagione. Il momento migliore per eseguire la manutenzione o la revisione del prodotto è la bassa stagione.

Quando si ordinano i ricambi, fornire le informazioni sull'anno di acquisto, il modello, il tipo e il numero di serie.

Utilizzare sempre ricambi originali.

---

## Garanzia

---

### Garanzia della trasmissione

Valido solo per RC 320Ts AWD.

La garanzia della trasmissione è valida solo se vengono eseguiti i controlli della velocità di rotazione delle ruote anteriori e posteriori come indicato nel programma di manutenzione. Per evitare di danneggiare il sistema di trasmissione, è necessario affidarne la regolazione a un'officina autorizzata. Fare riferimento ai valori specificati nella tabella presente nel manuale di officina.



---

## Dichiarazione CE di conformità

---

### Dichiarazione CE di conformità

**Husqvarna AB**, SE-561 82 Huskvarna, Svezia, tel.: +46-36-146500, dichiara che il **trattorino rasaerba Husqvarna RC 318T e RC 320Ts AWD** sono conformi alle norme previste nelle DIRETTIVE DEL CONSIGLIO:

- del 17 maggio 2006 "sulle macchine" **2006/42/CE**
- del 26 febbraio 2014 "sulla compatibilità elettromagnetica" **2014/30/UE**
- dell'8 maggio 2000 "sull'emissione di rumore nell'ambiente" **2000/14/CE**

Informazioni relative alle emissioni di rumore e alla larghezza di taglio, vedere Dati tecnici.

Sono state applicate le seguenti norme armonizzate:

**EN ISO 12100, EN ISO 5395-1, EN ISO 5395-3, EN ISO 14982**

Se non diversamente specificato, le norme sopra elencate sono le ultime versioni pubblicate.

Organo competente: **0404, RISE SMP Svensk Maskinprovning AB, Box 7035, SE-750 07 Uppsala** ha pubblicato rapporti relativi all'attestazione della conformità in base all'allegato VI della DIRETTIVA DEL CONSIGLIO dell'8 maggio 2000 "sull'emissione di rumore nell'ambiente" 2000/14/CE.

I certificati portano i numeri: 01/901/283, 01/901/301

Huskvarna, 2017-12-31



Claes Losdal, Responsabile sviluppo/Prodotti per il giardino (rappresentante autorizzato per Husqvarna AB e responsabile della documentazione tecnica)

---

# ÍNDICE

---

Introdução.....	114	Transporte, armazenamento e eliminação.....	146
Segurança.....	119	Especificações técnicas.....	148
Montagem.....	125	Assistência.....	150
Funcionamento.....	127	Garantia.....	150
Manutenção.....	132	Declaração CE de conformidade.....	151
Resolução de problemas.....	144	.....	0

---

## Introdução

---

### Inspeção pré-entrega e números de produto

assinada do documento de inspeção pré-entrega do seu concessionário.

---

**Nota:** Foi realizada uma inspeção pré-entrega deste produto. Certifique-se de que recebe uma cópia

Informação de contacto da oficina autorizada:	
Este manual do utilizador pertence ao produto com o número de produto/número de série:	
/	
Motor:	
Transmissão:	

### Descrição do produto

O RC 318T e o RC 320Ts AWD são tratores corta-relva equipados com um modo de recolha. No modo de recolha, uma broca envia a relva cortada para o apanhador de relva. Os sinais visuais e de áudio apresentam o estado da broca e do apanhador. Os pedais de marcha em frente e de marcha-atrás permitem que o utilizador ajuste a velocidade gradualmente. Um contador de horas apresenta o número de horas de corte do produto. A bateria é uma bateria de fosfato de ferro de lítio recarregável, LiFePO<sub>4</sub>. O RC 320Ts AWD tem tração às quatro rodas (AWD).

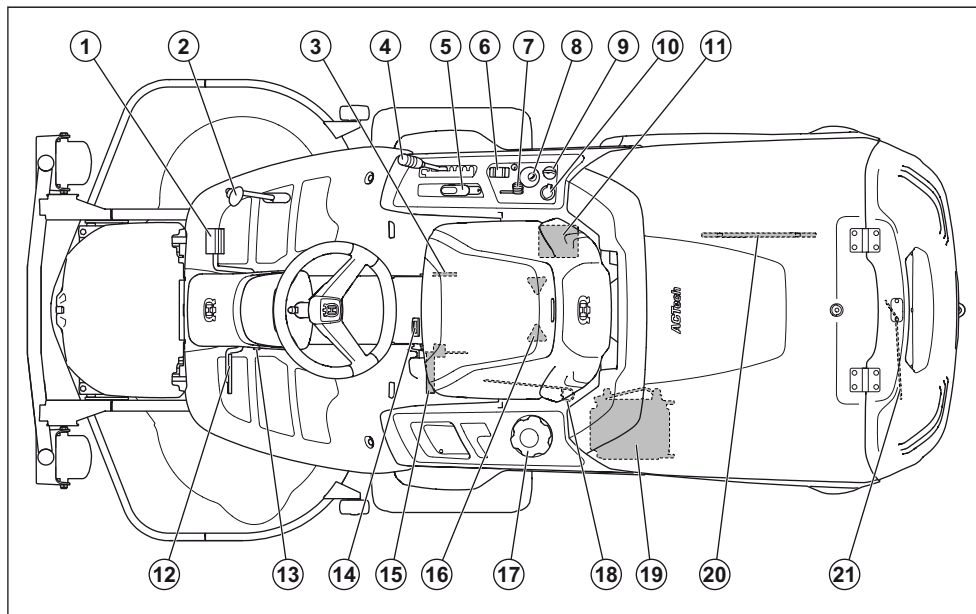
### Finalidade

Os tratores corta-relvas RC 318T e RC 320Ts AWD foram concebidos para cortar relva em áreas abertas e planas em jardins e zonas residenciais. Não é permitido utilizar o produto para outras tarefas.

### Faça um seguro para o seu produto

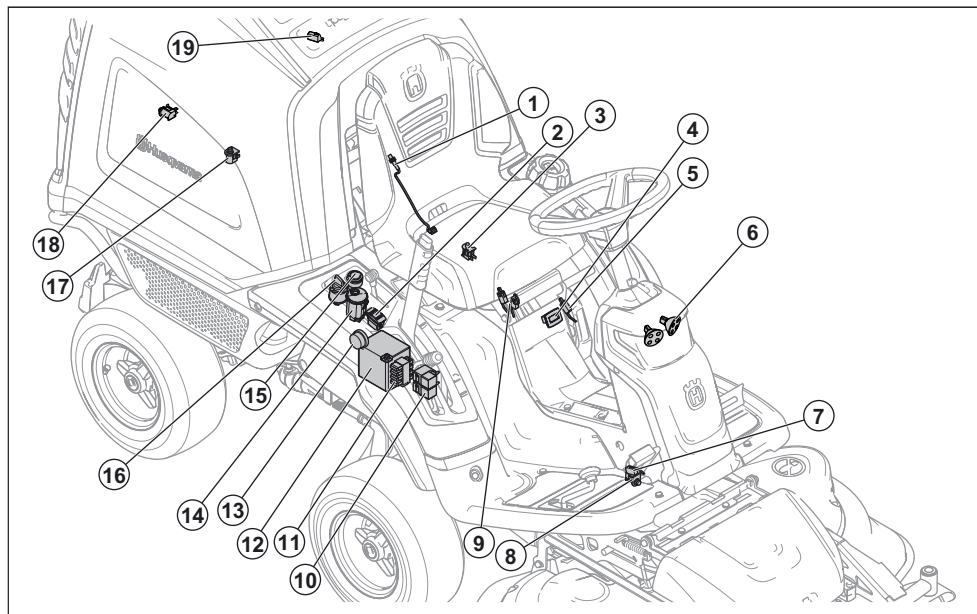
Certifique-se de que o seu seguro cobre o seu novo produto. Fale com a sua companhia de seguros caso não tenha a certeza. Recomendamos um seguro totalmente abrangente que inclua proteção contra terceiros, incêndios, danos, roubo e responsabilidade civil.

## Vista geral do produto



1. Pedal de marcha em frente
2. Pedal de marcha-atrás
3. Etiqueta de tipo
4. Alavanca da altura de corte
5. Alavanca de elevação da bancada de corte
6. Interruptor para inclinar o apanhador
7. Acelerador
8. Interruptor de controlo da broca com indicadores LED
9. Fechadura da ignição
10. Tomada de alimentação de 12 V
11. Bateria
12. Pedal do travão de estacionamento (RC 320Ts AWD)/pedal do travão de velocidade e de estacionamento (RC 318T)
13. Botão de bloqueio do travão de estacionamento
14. Contador de horas
15. Alavanca de posicionamento de manutenção da broca
16. Ajuste do banco
17. Tampa do depósito de combustível
18. Alavanca para engatar e desengatar a transmissão no eixo dianteiro, RC 320Ts AWD
19. Refrigerador de óleo hidráulico, RC 320Ts AWD
20. Ferramenta de manutenção da broca
21. Alavanca para engatar e desengatar a transmissão, RC 318T. Alavanca para engatar e desengatar a transmissão no eixo traseiro, RC 320Ts AWD

## Vista geral do sistema elétrico



1. Sensor de rotação da broca
2. Interruptor para inclinar o apanhador
3. Interruptor de segurança do banco
4. Contador de horas
5. Interruptor da alavanca de posicionamento de manutenção da broca
6. Faróis
7. Microinterruptor, travão de estacionamento
8. Sensor da bancada de corte na devida posição
9. Interruptor de segurança da alavanca de elevação
10. Relé
11. Fusíveis
12. Bateria
13. Campainha
14. Interruptor de controlo da broca com indicadores LED
15. Tomada de alimentação (12 V)
16. Fechadura da ignição
17. Sensor de posição do apanhador
18. Interruptor da cobertura do apanhador
19. Sensor de apanhador cheio

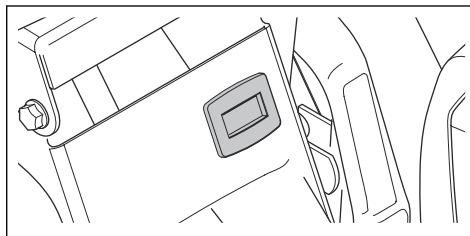
### Interruptor de segurança do banco

O interruptor de segurança do banco inicia o circuito de segurança quando o operador se levanta do banco. O motor e a transmissão das lâminas param se as lâminas estiverem ativadas ou o travão de estacionamento não

estiver aplicado. Consulte também a secção *Circuito de segurança na página 122*.

### Contador de horas

O contador de horas apresenta o número de horas de funcionamento do motor. O tempo passado com a ignição ligada mas com o motor desligado não é registado. O último dígito indica décimos de hora (6 minutos).



### Bateria

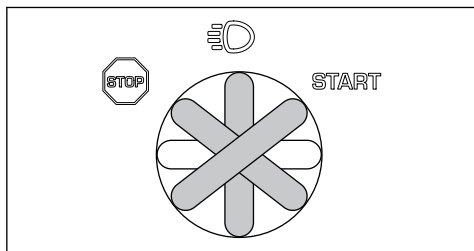
A bateria é uma bateria de fosfato de ferro de lítio recarregável, LiFePO<sub>4</sub>. Se a tensão da bateria for demasiado baixa, a mesma entra no modo de proteção e não reage quando liga a ignição. É necessário carregar a bateria quando esta está no modo de proteção ou está demasiado fraca para ligar o motor. Consulte *Para carregar a bateria na página 138*.

## Tomada de alimentação

A tensão da tomada de alimentação é de 12 V. A tomada de alimentação utiliza um fusível; consulte a secção *Substituir um fusível na página 138*.

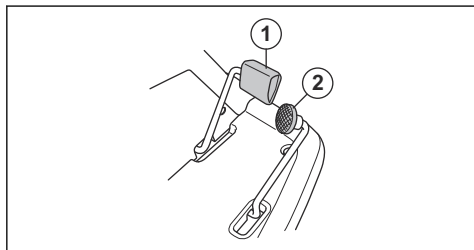
## Fechadura da ignição

A fechadura da ignição tem 4 posições: paragem, luzes, neutro e arranque. Se deixar a ignição ligada, mas o motor estiver desligado, é emitido um sinal sonoro em intervalos de 20 segundos para lembrar o utilizador de rodar a fechadura da ignição para a posição STOP para não descarregar a bateria.



## Pedais de marcha em frente e marcha-atrás

A velocidade é gradualmente ajustada com os 2 pedais. O pedal esquerdo (1) é utilizado para a marcha em frente e o pedal direito (2) é utilizado para a marcha-atrás. O produto trava quando liberta os pedais.



## Interruptor de controlo da broca com indicadores LED

Os símbolos do interruptor de controlo da broca indicam se o produto está em modo de recolha ou não e indicam o estado da broca e do apanhador. A tabela abaixo indica o significado dos vários símbolos.



A broca está na posição de manutenção. O símbolo acende-se a vermelho e é emitido um sinal sonoro.



A bancada de corte não está bem fixa. O símbolo acende-se a vermelho e é emitido um sinal sonoro.



O apanhador está cheio. O símbolo acende-se a laranja e é emitido um sinal sonoro. A broca continua a enviar a relva para o apanhador. Se não esvaziar o apanhador, após algum tempo, a pressão da relva causa a abertura da respetiva cobertura.



A cobertura do apanhador está aberta. O símbolo acende-se a vermelho e é emitido um sinal sonoro.



O apanhador não está em baixo. O símbolo acende-se a vermelho e é emitido um sinal sonoro.



Um símbolo verde no botão da broca indica que o produto está no modo de recolha.

Um símbolo azul no botão da broca indica que o produto está no modo de não recolha.

Mantenha premido o botão da broca até ser emitido um sinal sonoro para alternar entre o modo de recolha e de não recolha.

Um símbolo vermelho no botão da broca indica que a broca está bloqueada e parou. É emitido um sinal sonoro contínuo. Rode a fechadura da ignição para STOP para parar o sinal sonoro. Consulte as instruções na secção *Remover obstruções da broca na página 134* para remover o bloqueio antes de ligar novamente o produto.

## Símbolos no produto



AVISO: O uso indevido ou incorreto poderá provocar ferimentos graves ou até mesmo a morte do utilizador ou de outras pessoas.



Leia o manual do utilizador com atenção e certifique-se de que compreende as instruções antes de utilizar o produto.



Lâminas rotativas. Mantenha as partes do seu corpo afastadas da cobertura quando o motor estiver ligado.



Aviso: peças rotativas. Mantenha as partes do seu corpo afastadas.



Tenha cuidado com objetos projetados e ricochetes.



Nunca utilize o produto junto a animais ou pessoas, em especial crianças.



Olhe para trás antes e durante as deslocações em marcha-atrás.



Nunca corte relva ao longo de um declive. Não corte relva em terrenos com um declive superior a 10°. Consulte *Cortar em declives na página 123*.



Nunca transporte passageiros no produto ou equipamento.



Marcha em frente.



Posição neutra.



Marcha-atrás.



Travão de estacionamento, modelo RC 320Ts AWD.



Travão de velocidade e travão de estacionamento, modelo RC 318T.



Desligue o motor.



Ligue o motor.



Faróis.



Velocidade do motor – rápida.



Velocidade do motor – lenta.



A broca está na posição de manutenção.



A bancada de corte não está fixa.



O apanhador está cheio.



A cobertura do apanhador está aberta.



O apanhador não está em baixo.



Lâmpada de indicação do estado do sistema da broca.



Incline e abra o apanhador.



Baixe o apanhador para a posição de funcionamento.



Combustível.



Máx. 10% de etanol.



Altura de corte.



Posição de manutenção da alavanca da altura de corte.



As lâminas estão ativadas.



As lâminas não estão ativadas.



Posição de manutenção da bancada de corte.



Posição de corte da bancada de corte.



A broca está na posição de funcionamento.



A broca está na posição de manutenção.



Não pise aqui.



Roda livre hidrostática.



Nível do óleo.



Risco de ferimentos por esmagamento.



Risco de ferimentos por esmagamento.  
Mantenha as partes do corpo afastadas da estrutura do equipamento.



Superfície quente.



Não toque.



Este produto está em conformidade com as diretivas aplicáveis da CE.



Emissões de ruído para o meio ambiente de acordo com a directiva da Comunidade Europeia. As emissões do produto são indicadas no capítulo de Especificações técnicas e na etiqueta.



Utilize sempre protetores acústicos aprovados.

yyyywwxxxx

O número de série é indicado na etiqueta de tipo. **yyyy** corresponde ao ano de produção, **ww** à semana de produção e **xxxx** é o número de série.

**Nota:** Os restantes símbolos/autocolantes existentes no produto dizem respeito às exigências de homologação de alguns países.

## UE V



**ATENÇÃO:** A adulteração do motor anula a aprovação deste produto pela UE.

## Responsabilidade pelo produto

Como referido nas leis de responsabilidade pelo produto, não somos responsáveis por danos causados pelo nosso produto se:

- o produto tiver sido incorretamente reparado.
- o produto tiver sido reparado com peças que não sejam do fabricante ou que não sejam aprovadas pelo fabricante.
- o produto tiver um acessório que não seja do fabricante ou que não seja aprovado pelo fabricante.
- o produto não tiver sido reparado por um centro de assistência autorizado ou por uma autoridade aprovada.

## Segurança

### Definições de segurança

Os avisos, as precauções e as notas são utilizados para indicar partes especialmente importantes do manual.



**ATENÇÃO:** Utilizado no caso de existir risco de ferimento ou morte para o utilizador ou transeuntes, se não forem respeitadas as instruções do manual.



**CUIDADO:** Utilizado se existir risco de danos para o produto, para outros materiais ou para a área adjacente, se não forem respeitadas as instruções do manual.

**Nota:** Utilizado para disponibilizar informações adicionais necessárias numa determinada situação.

### Instruções de segurança gerais



**ATENÇÃO:** Este produto pode amputar mãos e pés, e projetar objetos. Se não respeitar as instruções de segurança, tal pode resultar em ferimentos graves ou morte.



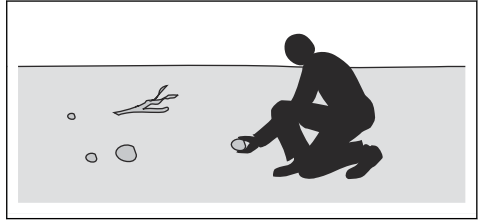
**ATENÇÃO:** Não continue a utilizar o produto com um equipamento de corte danificado. O equipamento de corte danificado pode projetar objetos e causar ferimentos graves ou a morte. Substitua as lâminas danificadas de imediato.



**ATENÇÃO:** Este produto produz um campo eletromagnético durante o funcionamento. Em determinadas circunstâncias, este

campo pode interferir com o funcionamento de implantes médicos ativos ou passivos. Para diminuir o risco de ferimentos graves ou mortais, recomendamos que os portadores de implantes médicos consultem o seu médico e o fabricante do implante antes de utilizar este produto.

- Procure e marque as pedras e outros objetos fixos para prevenir colisões.
- Retire da área quaisquer objetos como pedras, brinquedos, fios, etc., que possam ficar presos ou ser projetados.



- Não permita a utilização ou a manutenção do produto por crianças ou outras pessoas sem aprovação para utilizar o produto. A legislação local pode regular a idade do utilizador permitida.
- Certifique-se de que ninguém permanece nas imediações do produto quando ligar o motor, ativar a transmissão ou começar a deslocar o produto.
- Esteja atento ao trânsito ao cortar junto a uma estrada ou atravessar uma estrada.
- Não utilize o produto quando estiver cansado, sob o efeito de álcool ou drogas, tiver tomado medicamentos ou outros produtos que possam afetar negativamente a sua visão, atenção, capacidade de discernimento ou o seu controlo físico.
- Estacione sempre o produto numa superfície nivelada com o motor parado.

### Instruções de segurança relativamente a crianças



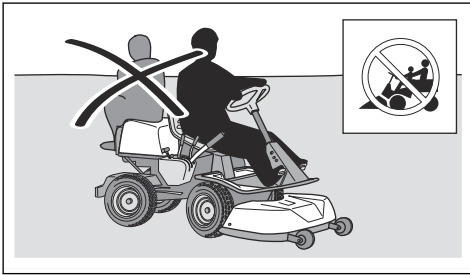
**ATENÇÃO:** Leia as instruções de aviso que se seguem antes de utilizar o produto.

- Podem ocorrer acidentes graves se não prestar atenção às crianças que se encontram nas proximidades do produto. As crianças podem ser atraídas pelo produto e pelo corte da relva. É muito provável que as crianças não se mantenham onde as viu pela última vez.
- Mantenha as crianças afastadas da área a cortar. Certifique-se de que está presente um adulto responsável pelas crianças.
- Mantenha-se vigilante e pare o produto caso se encontrem crianças na zona de trabalho. Tenha muito cuidado perto de cantos, arbustos, árvores ou outros objetos que previnam uma visão clara.
- Antes e durante a deslocação do produto em marcha-atrás, olhe para trás e para baixo para se certificar de que não estão presentes crianças pequenas nas proximidades do produto.



**ATENÇÃO:** Leia as instruções de aviso que se seguem antes de utilizar o produto.

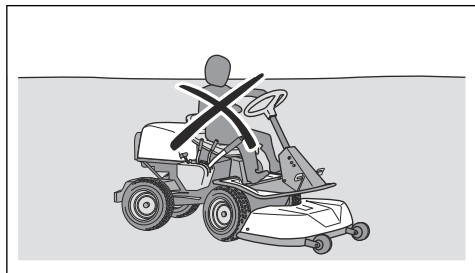
- Seja sempre cuidadoso e use o seu senso comum. Evite todas as situações que considere estarem para além das suas capacidades. Se não se sentir seguro quanto aos procedimentos de funcionamento após a leitura do manual do utilizador, consulte um especialista antes de continuar.
- Leia e compreenda o manual do utilizador e as instruções presentes no produto com atenção antes de o ligar.
- Aprenda a utilizar o produto e os respetivos controlos em segurança, e saiba como parar o produto rapidamente.
- Aprenda a reconhecer os autocolantes de segurança.
- Mantenha o produto limpo para se certificar de que consegue ler bem os sinais e os autocolantes.
- Tenha em atenção que o utilizador é responsável pelos acidentes que incluam outras pessoas ou a respetiva propriedade.
- Não transporte passageiros. O produto apenas pode ser utilizado por uma pessoa.



- Não deixe o produto sem supervisão com o motor ligado. Pare sempre as lâminas, aplique o travão de estacionamento, pare o motor e retire a chave de ignição antes de deixar a máquina sem supervisão.
- Apenas utilize o produto durante o dia ou em condições de boa iluminação. Mantenha o produto a uma distância de segurança de orifícios ou outras irregularidades no solo. Tenha atenção com outros possíveis riscos.
- Não utilize o produto em condições atmosféricas desfavoráveis, por exemplo, nevoeiro, chuva, localizações molhadas ou com humidade, ventos fortes, frio intenso, risco de trovoadas, etc.



- Não permita o transporte das crianças. Podem cair e sofrer ferimentos graves ou prevenir a realização de manobras seguras do produto.
- Não permita que as crianças operem o produto.



## Instruções de segurança para funcionamento



**ATENÇÃO:** Leia as instruções de aviso que se seguem antes de utilizar o produto.



**ATENÇÃO:** O motor e o sistema de escape ficam muito quentes durante o funcionamento. Risco de queimaduras, incêndio e danos graves na propriedade ou nas áreas adjacentes. Não toque no motor ou no sistema de escape durante e diretamente após o funcionamento. Ao cortar a relva, mantenha-se afastado de arbustos e outros objetos.

- Não desloque o produto com o apanhador inclinado. Esta ação pode danificar o apanhador e aumentar o risco de capotamento do produto.
- Olhe sempre para baixo e para trás antes e durante as deslocções em marcha-atrás. Esteja atento aos obstáculos de todas as dimensões.
- Diminua a velocidade antes de fazer uma curva.
- Desloque-se com cuidado em redor de objetos fixos e certifique-se de que as lâminas não embatem nos mesmos. Não efetue o corte ao longo de objetos.
- Pare as lâminas quando não estiver a cortar.



**CUIDADO:** Leia as instruções de precaução que se seguem antes de utilizar o produto.

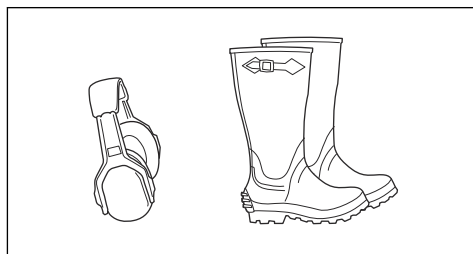
- Antes de operar o produto, limpe a relva, a terra, etc., da admissão de ar de refrigeração do motor. Se o motor não conseguir arrefecer, existe um risco de danos graves no motor.
- Se cortar ao longo ou em algum objeto, pare e examine o produto e a bancada de corte. Se necessário, repare quaisquer danos antes de recomeçar.

## Equipamento de proteção pessoal



**ATENÇÃO:** Leia as instruções de aviso que se seguem antes de utilizar o produto.

- Utilize equipamento de proteção pessoal aprovado ao utilizar o produto. O equipamento de proteção pessoal não previne totalmente os ferimentos mas diminui a respetiva gravidade em caso de acidente. Obtenha ajuda junto do seu concessionário para selecionar o equipamento certo.
- Utilize sempre protetores acústicos aprovados. A exposição prolongada a ruídos pode provocar danos auditivos permanentes.
- Utilize sempre sapatos ou botas de proteção. Recomenda-se calçado com biqueira de aço. Não utilize o produto se estiver descalço.



- Utilize luvas sempre que necessário, por exemplo, ao fixar, examinar ou limpar o equipamento de corte.
- Não utilize vestuário largo, joias ou outros itens que possam ficar presos nas peças móveis.
- Mantenha equipamentos de primeiros socorros e um extintor de incêndio sempre à mão.

## Dispositivos de segurança no produto



**ATENÇÃO:** Leia as instruções de aviso que se seguem antes de utilizar o produto.

- Não utilize o produto com dispositivos de segurança defeituosos. Verifique regularmente os dispositivos de segurança. Se os dispositivos de segurança estiverem defeituosos, fale com a sua oficina autorizada Husqvarna.
- Não realize modificações aos dispositivos de segurança. Não utilize o produto se as placas de proteção, as coberturas de proteção, os interruptores de segurança e outros dispositivos de proteção não estiverem fixos ou estiverem defeituosos.

## Verifique a fechadura da ignição

- Ligue e desligue o motor para verificar a fechadura da ignição. Consulte as secções *Para arrancar o motor na página 129* e *Para parar o motor na página 131*.

- Certifique-se de que o motor arranca quando roda a chave de ignição para a posição START.
- Certifique-se de que o motor para imediatamente quando roda a chave de ignição na posição STOP.

### Circuito de segurança

O motor apenas pode arrancar quando estiverem reunidas as seguintes condições:

- A bancada de corte estiver levantada e o travão de estacionamento estiver aplicado.

O motor tem de parar nas seguintes situações:

- A bancada de corte está em baixo e o condutor levanta-se do banco.
- A bancada de corte é levantada, o travão de estacionamento não está aplicado e o condutor levanta-se do banco.

Para verificar o circuito de segurança, experimente ligar o motor sem cumprir uma das condições acima. Altere as condições e tente novamente. Efetue esta verificação diariamente.

### Sensores da broca e do apanhador

Ligue a ignição mas não arranque o motor. Verifique cada sensor conforme apresentado na tabela abaixo. Certifique-se de que o símbolo relevante no interruptor de controlo da broca se acende.



Baixe a alavanca de posicionamento de manutenção da broca. Se o sensor funcionar corretamente, o símbolo acende-se a vermelho.



Não fixe a bancada de corte. Se o sensor funcionar corretamente, o símbolo acende-se a vermelho e é emitido um sinal sonoro ao ligar a ignição.



Abra a cobertura do apanhador. Se o sensor funcionar corretamente, o símbolo acende-se a vermelho e é emitido um sinal sonoro.



Pressione o sensor de apanhador cheio. Se o sensor funcionar corretamente, o símbolo acende-se a laranja e é emitido um sinal sonoro.



Incline o apanhador. Se o sensor funcionar corretamente, o símbolo acende-se a vermelho e é emitido um sinal sonoro.

### Verificar o limitador de velocidade

- Solte o pedal de marcha em frente para travar.
- Para obter mais potência de travagem, prima o pedal de marcha-atrás.

- Certifique-se de que os pedais de marcha em frente e marcha-atrás não estão bloqueados e podem ser utilizados livremente.
- Certifique-se de que o produto trava quando liberta o pedal de marcha em frente.

### Travão de estacionamento



**ATENÇÃO:** Se o travão de estacionamento não funcionar, o produto pode começar a deslocar-se e causar ferimentos ou danos. Certifique-se de que examina e ajusta regularmente o travão de estacionamento.

Consulte o capítulo *Verificar o travão de estacionamento na página 137*.

No modelo RC 318T, o pedal do travão de estacionamento também é utilizado para obter mais potência de travagem quando necessário, por exemplo, quando trava num declive.

### Silenciador

O silenciador mantém o mais baixo nível de ruído possível e afasta os gases de escape do utilizador.

Não utilize o produto se o silenciador estiver defeituoso ou estiver em falta. Um silenciador defeituoso aumenta o nível de ruído e o risco de incêndio.

Examine o silenciador regularmente para se certificar de que está bem fixo e não está danificado.

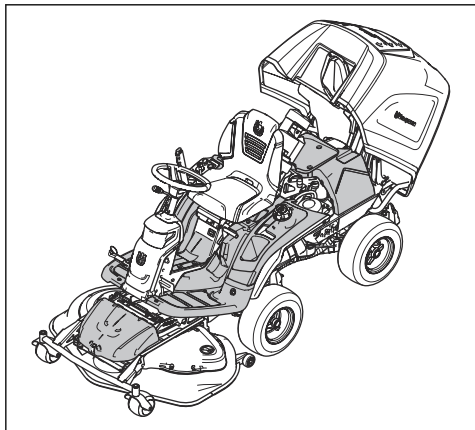


**CUIDADO:** O silenciador fica muito quente durante e após a utilização e quando o motor funciona ao ralenti. Tenha cuidado junto de materiais inflamáveis e/ou vapores para evitar incêndios.

### Coberturas de proteção



**ATENÇÃO:** As coberturas de proteção danificadas ou em falta aumentam o risco de ferimentos em peças móveis ou superfícies quentes. Antes de utilizar o produto, certifique-se de que as coberturas de proteção estão bem fixas e que não têm fissuras nem outros danos. Substituir as coberturas danificadas.

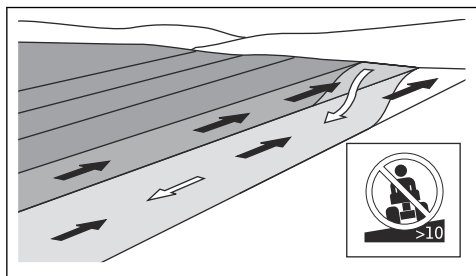


## Cortar em declives



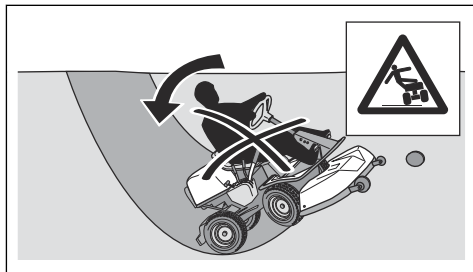
**ATENÇÃO:** Leia as instruções de aviso que se seguem antes de utilizar o produto.

- Cortar em declives aumenta o risco de perda de controle e de capotamento do produto. Estas ocorrências podem resultar em ferimentos ou morte. É necessário ter cuidado ao cortar em todos os declives. Se não conseguir sair de um declive ou se não se sentir em segurança, não corte nesse local.
- Remova os obstáculos como pedras e ramos de árvore.
- Corte a relva a subir e a descer o declive, e nunca de lado a lado.
- Não corte um declive a descer com a bancada de corte levantada.
- Não utilize o produto em terrenos com um declive superior a 10°.



- Não arranque nem pare num declive.
- No modelo RC 318T, utilize sempre o pedal do travão da velocidade para obter mais potência de travagem durante a utilização em declives.
- Desloque-se devagar e suavemente em declives.
- Não faça mudanças súbitas de velocidade ou de direção.

- Não vire mais do que o necessário. Vire lenta e gradualmente ao descer um declive. Desloque-se a baixa velocidade. Vire o volante com cuidado.
- Tenha atenção para não se deslocar sobre trincheiras, orifícios e lombas. Existe um risco mais elevado de capotamento do produto num piso desnivelado. A relva alta pode ocultar obstáculos.
- Não corte a relva próximo de bermas, valas ou inclinações. O produto pode capotar subitamente se uma das rodas se deslocar sobre a bermas de um declive íngreme ou de uma vala, ou se uma bermas ceder. Se o produto cair em água, corre o risco de se afundar.



- Não corte relva molhada. É escorregadia e os pneus podem perder a aderência, provocando a derrapagem do produto.
- Não coloque o pé no chão para tentar estabilizar o produto.
- Desloque-se com muito cuidado se estiver fixo algum objeto que torne o produto menos estável.

## Segurança no manuseamento do combustível



**ATENÇÃO:** Tenha cuidado com o combustível. É muito inflamável e pode causar ferimentos e danos na propriedade.



**ATENÇÃO:** Leia as instruções de aviso que se seguem antes de utilizar o produto.

- Não encha o depósito de combustível no interior.
- A gasolina e os respetivos vapores são venenosos e muito inflamáveis. Tenha cuidado com a gasolina para evitar ferimentos ou incêndios.
- Não retire a tampa do depósito de combustível nem encha o depósito de combustível com o motor em funcionamento.
- Deixe o motor arrefecer antes de voltar a abastecer o combustível.
- Não fume quando estiver a encher o depósito de combustível.
- Não encha o depósito de combustível junto a faíscas ou chamas abertas.
- Se existirem fugas no sistema de combustível, não ligue o motor até que as fugas estejam reparadas.

- Não encha acima do nível de combustível recomendado. Se o depósito estiver demasiado cheio, o calor do motor e o sol faz com que o combustível se expanda e transborde.
- Não encha demasiado. Se derramar combustível no produto, limpe o derrame e aguarde que seque antes de ligar o motor. Se derramar na sua roupa, troque-a.
- Armazene o combustível apenas em recipientes aprovados.
- Armazene o produto e o combustível de forma a não existir o risco de danos causados por fugas ou vapores de combustível.
- Drene o combustível de um recipiente aprovado numa zona exterior e afastado de chamas abertas.

- O produto está estacionado numa superfície nivelada.
- O travão de estacionamento encontra-se aplicado.
- A chave de ignição foi removida.
- A bancada de corte está desengatada.
- Os cabos da ignição foram removidos das velas.



**ATENÇÃO:** Os gases de escape do motor contêm monóxido de carbono, um gás inodoro, tóxico e altamente perigoso. Não utilize o produto em espaços fechados ou em espaços com um fluxo de ar insuficiente.

## Segurança da bateria



**ATENÇÃO:** Uma bateria danificada pode explodir e provocar ferimentos. Se a bateria estiver deformada ou danificada, fale com uma oficina autorizada Husqvarna.



**ATENÇÃO:** Leia as instruções de aviso que se seguem antes de utilizar o produto.

- Utilize óculos de proteção quando estiver perto de baterias.
- Não utilize relógios, joias ou outros objetos metálicos perto da bateria.
- Mantenha a bateria fora do alcance de crianças.
- Carregue a bateria num espaço com um bom fluxo de ar.
- Ao carregar a bateria, mantenha os materiais inflamáveis a uma distância mínima de 1 m.
- Elimine as baterias substituídas. Consulte o capítulo *Eliminação na página 147*.



**CUIDADO:** Leia as instruções de precaução que se seguem antes de utilizar o produto.

- Carregue a bateria apenas com o carregador especificado pelo fabricante. Outros carregadores podem danificar o sistema elétrico e a bateria.
- Não aperte os terminais da bateria mais do que o binário especificado, no máx. 4 Nm.



**ATENÇÃO:** Leia as instruções de aviso que se seguem antes de utilizar o produto.

- Para obter o melhor desempenho e segurança, efetue regularmente a manutenção do produto, de acordo com o esquema de manutenção. Consulte o capítulo *Esquema de manutenção na página 132*.
- Os choques elétricos podem causar ferimentos. Não toque nos cabos com o motor em funcionamento. Não efetue um teste de funcionamento no sistema de ignição com os seus dedos.
- Não ligue o motor se as coberturas de proteção tiverem sido removidas. Existe um risco elevado de ferimentos causados por peças quentes ou em movimento.
- Deixe o produto arrefecer antes de efetuar a manutenção perto do motor.
- As lâminas são afiadas e podem causar cortes. Coloque proteções contra o vento em redor das lâminas ou utilize luvas de proteção quando trabalhar nas mesmas.
- Coloque sempre a plataforma de corte na posição de manutenção para efetuar a respetiva limpeza. Não estacione o produto perto da bermagem de uma vala ou de um declive para ter acesso à plataforma de corte.



**CUIDADO:** Leia as instruções de precaução que se seguem antes de utilizar o produto.

## Instruções de segurança para manutenção



**ATENÇÃO:** O produto é pesado e pode causar ferimentos ou danos na propriedade ou na área adjacente. Não efetue a manutenção do motor ou da plataforma de corte sem reunir as seguintes condições:

- O motor está desligado.

- Não inverta o motor se a vela de ignição ou o cabo de ignição tiverem sido retirados.
- Certifique-se de que aperta corretamente todos os parafusos e porcas, e que o equipamento está em bom estado.
- Não faça alterações ao ajuste dos reguladores. Se a velocidade do motor for demasiado elevada, os componentes do produto ficarão danificados. Consulte a secção *Especificações técnicas na página 148* para saber qual é a velocidade do motor mais elevada permitida.

- O produto é apenas aprovado com o equipamento fornecido ou recomendado pelo fabricante.

## Montagem

### Introdução

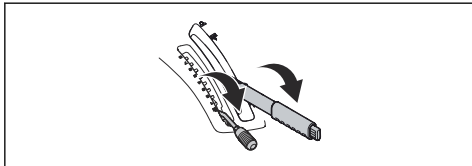


**ATENÇÃO:** A mola de tensão da correia da transmissão pode quebrar e causar ferimentos. Utilize óculos de proteção ao fixar ou remover a bancada de corte.

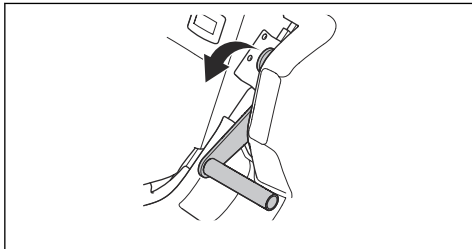
Leia as instruções de montagem no manual do proprietário com atenção. Uma etiqueta no interior da cobertura dianteira do produto também indica como fixar e remover a bancada de corte.

### Fixar a bancada de corte

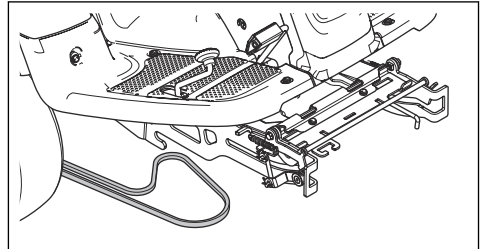
1. Coloque o produto num piso nivelado.
2. Aplique o travão de estacionamento.
3. Coloque a alavanca da altura de corte na posição de manutenção.
4. Coloque a alavanca de elevação da bancada de corte na posição de corte.



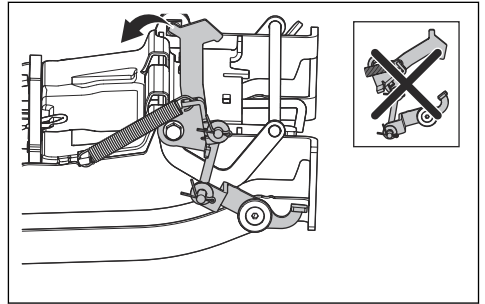
5. Baixe a alavanca de posicionamento de manutenção da broca para levantar a broca até à posição de manutenção.



6. Coloque a correia da transmissão conforme ilustrado para que não fique apertada ao fixar a bancada de corte.

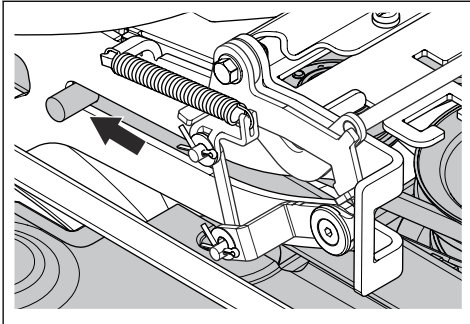


7. Empurre a estrutura do equipamento para baixo. Levante o bloqueio de manutenção até à posição vertical.

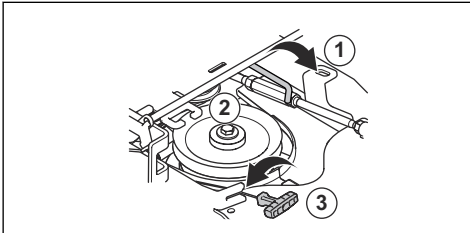


**ATENÇÃO:** O mecanismo de bloqueio pode causar ferimentos nos dedos se não o operar com cuidado. Coloque o bloqueio de manutenção na posição totalmente vertical e segure a extremidade dianteira da bancada de corte com as duas mãos ao continuar para o passo seguinte.

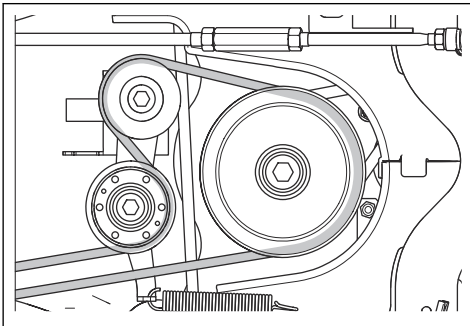
8. Levante a extremidade dianteira da bancada de corte e desloque-a para a estrutura do equipamento. Os pernos da bancada de corte, um de cada lado, têm de ser colocados nas ranhuras da estrutura do equipamento. O bloqueio de manutenção solta-se automaticamente.



9. Levante o fixador da altura de corte do suporte do fixador e coloque-o no orifício do fixador da altura de corte (1).

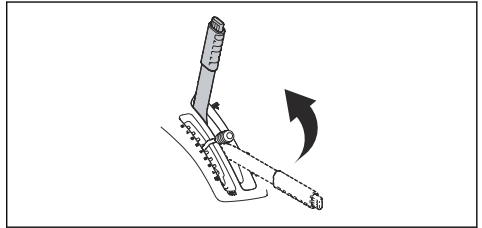


10. Coloque a correia da transmissão em redor da roda de tensão (2). Certifique-se de que a correia da transmissão está posicionada conforme ilustrado.

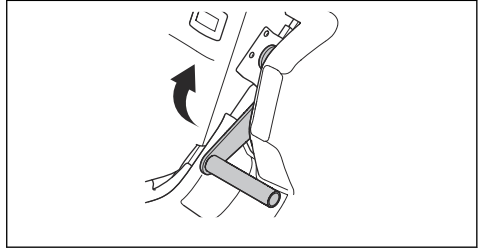


11. Coloque a mola no suporte da mola (3).

12. Coloque a alavanca de elevação da bancada de corte na posição bloqueada. A bancada de corte sobe.



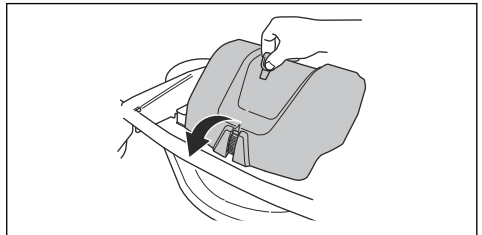
13. Puxe a alavanca de posicionamento de manutenção da broca até à posição superior.



14. Fixe a cobertura dianteira.

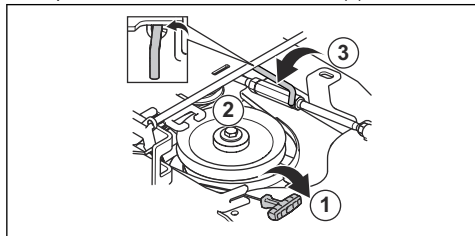
## Retirar a bancada de corte

1. Efetue os passos 1 a 5 da secção *Fixar a bancada de corte na página 125*.
2. Solte o grampo da cobertura dianteira com a ferramenta que está presa à chave de ignição e levante a cobertura.

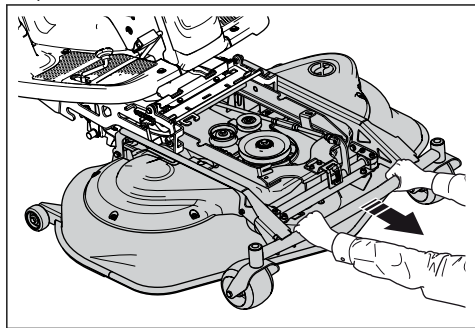


3. Puxe a pega da mola para a direita e retire-a do suporte da mola para aliviar a tensão na roda de tensão da correia da transmissão. (1)
4. Segure na pega da mola com a mão esquerda e levante a correia da transmissão com a mão direita.
5. Puxe a correia da transmissão para a traseira por baixo do produto. Não a coloque no respetivo suporte (2).
6. Coloque a pega da mola no suporte da mola para prevenir que a mola caia.

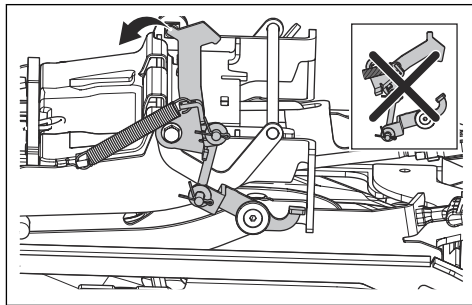
7. Levante o fixador da altura de corte e coloque-o no suporte do fixador da altura de corte (3).



8. Segure na extremidade dianteira da bancada de corte com as duas mãos e puxe-a para a frente até parar.



9. Levante o bloqueio de manutenção até à posição vertical.



**ATENÇÃO:** O mecanismo de bloqueio pode causar ferimentos nos dedos se não o operar com cuidado. Coloque o bloqueio de manutenção na posição totalmente vertical e segure a extremidade dianteira da bancada de corte com as duas mãos ao continuar para o passo seguinte.

10. Levante a extremidade dianteira da bancada de corte até que o bloqueio de manutenção toque na estrutura e puxe a bancada de corte para fora.

## Funcionamento

### Introdução



**ATENÇÃO:** Antes de utilizar o produto, tem ler e compreender o capítulo sobre segurança.

### Encher o depósito de combustível



**ATENÇÃO:** A gasolina é muito inflamável. Tenha o cuidado de abastecer no exterior (consulte a secção *Segurança na manuseamento do combustível na página 123*).



**ATENÇÃO:** Não utilize o depósito de combustível como área de suporte.



**CUIDADO:** O tipo errado de combustível pode resultar em danos no motor.

O motor funciona a gasolina com um índice de octanas mínimo de 91 RON (87 AKI), não misturada com óleo. Recomendamos uma gasolina biodegradável com base

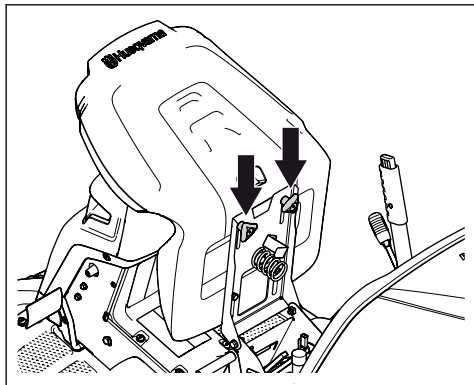
em alquilatos. Não utilize gasolina que contenha mais de 10% de etanol.

- Verifique o nível de combustível antes de cada utilização e volte a encher, se necessário.
- Não encha completamente o depósito de combustível. Mantenha um espaço mínimo de 2,5 cm.

### Ajustar o banco

O banco pode ser inclinado para a frente. Também pode ser ajustado no sentido do comprimento.

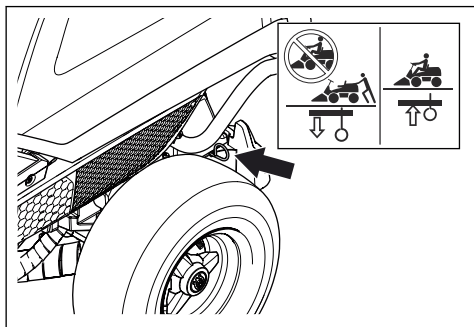
Desaperte as pegas debaixo do banco para o ajustar para a frente ou para trás.



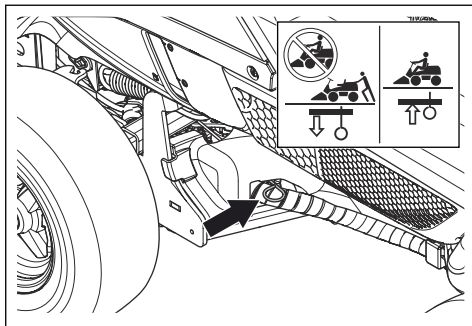
## Ativar e desativar o sistema de acionamento

Para deslocar o produto com o motor desligado, o sistema de acionamento tem de estar desativado. Puxe totalmente a alavanca do sistema de acionamento para fora para desativar o acionamento no eixo. Empurre totalmente a alavanca do sistema de acionamento para ativar o acionamento no eixo. Não utilize posições intermédias.

A alavanca do sistema de acionamento do modelo RC 318T situa-se atrás da roda traseira esquerda. O modelo RC 320Ts AWD tem uma alavanca do sistema de acionamento para o eixo dianteiro e outra para o eixo traseiro. A alavanca do sistema de acionamento do eixo traseiro situa-se atrás da roda traseira esquerda.

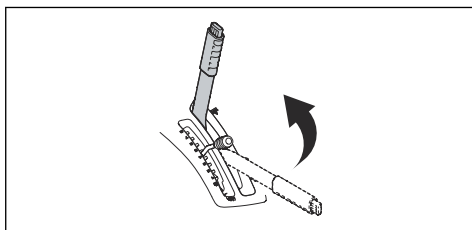


A alavanca do sistema de acionamento do eixo dianteiro do RC 320Ts AWD situa-se atrás da roda dianteira esquerda.

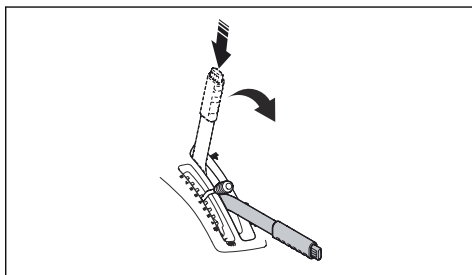


## Levantar e baixar a bancada de corte

Para levantar a bancada de corte para a posição de transporte, puxe a alavanca de elevação para trás. Se o motor estiver ligado, as lâminas param de rodar automaticamente.



Para baixar a bancada de corte para a posição de corte, prima o botão de bloqueio e desloque a alavanca de elevação para a frente. Se o motor estiver ligado, as lâminas começam a rodar automaticamente.

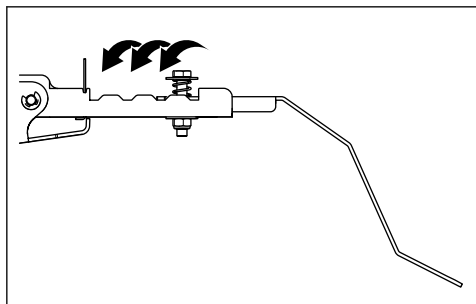


## Ajustar o sensor de apanhador cheio

Se a cobertura abrir ou a broca parar antes de o apanhador estar cheio, é necessário ajustar o sensor de

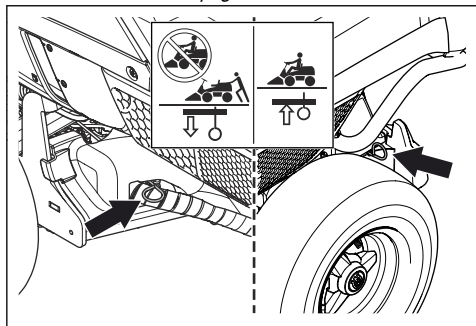


apanhador cheio. O sensor de apanhador cheio tem 4 posições.

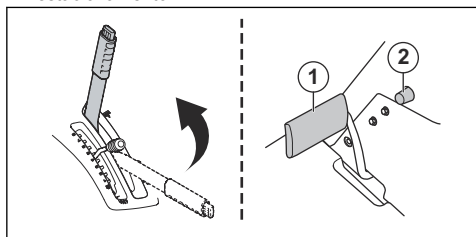


### Para arrancar o motor

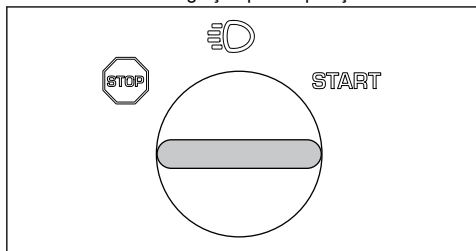
1. Certifique-se de que o sistema de acionamento está ativo; consulte a secção *Ativar e desativar o sistema de acionamento na página 128.*



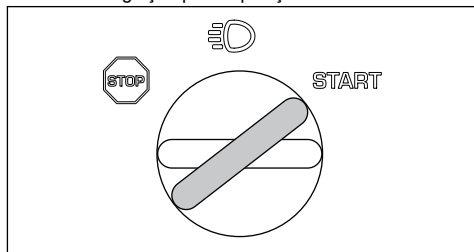
2. Levante a bancada de corte e aplique o travão de estacionamento.



3. Rode a chave de ignição para a posição START.

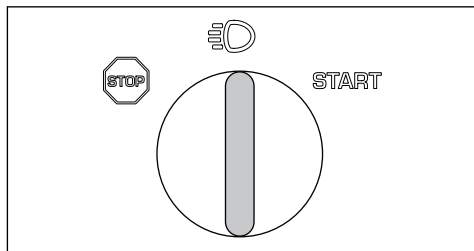


4. Quando o motor arrancar, solte imediatamente a chave de ignição para a posição neutra.

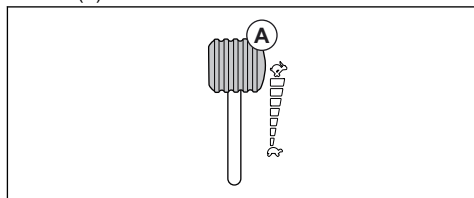


**Nota:** Não utilize o dispositivo de arranque durante mais de 5 segundos de cada vez. Se o motor não arrancar, aguarde 15 segundos antes de tentar novamente.

5. Rode a chave para a posição das luzes para ligar os faróis.



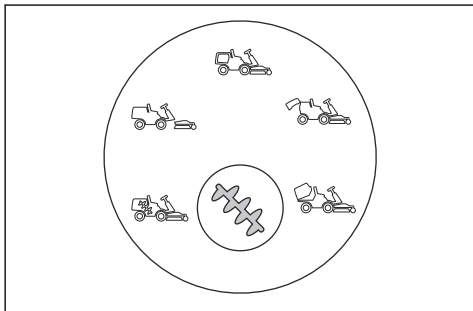
6. Empurre o acelerador para a posição de aceleração total (A).



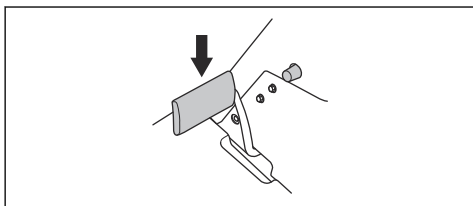
### Utilizar o produto no modo de recolha

1. Ligue o motor.

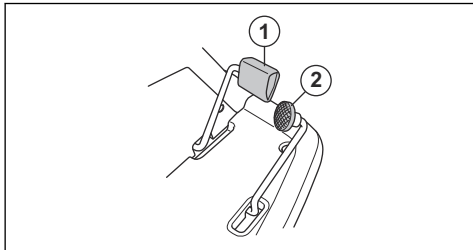
2. Certifique-se de que o símbolo no botão de controlo da broca está verde. Isto indica que o produto está no modo de recolha. Consulte a secção *Interruptor de controlo da broca com indicadores LED na página 117* para obter informações sobre o que fazer se o símbolo do interruptor de controlo da broca acender ou se o botão de controlo da broca estiver vermelho.



3. Pressione o pedal do travão de estacionamento e, em seguida, solte-o para libertar o travão de estacionamento.

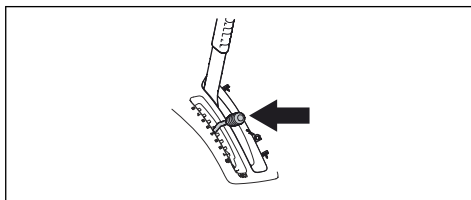


4. Pressione um dos pedais de velocidade com cuidado. A velocidade aumenta proporcionalmente à pressão aplicada no pedal. Utilize o pedal (1) para a marcha em frente e o pedal (2) para a marcha-atrás.

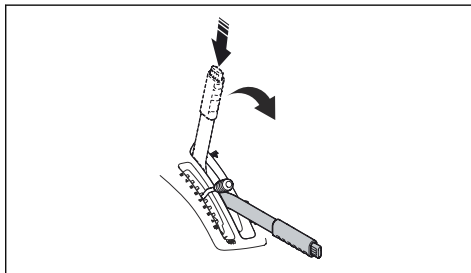


5. Solte o pedal para travar. No modelo RC 318T, pode utilizar o pedal do travão de velocidade/estacionamento para obter mais potência de travagem. Tal pode ser necessário, por exemplo, durante a travagem num declive.

6. Selecione a altura de corte (1 a 8) com a alavanca da altura de corte.



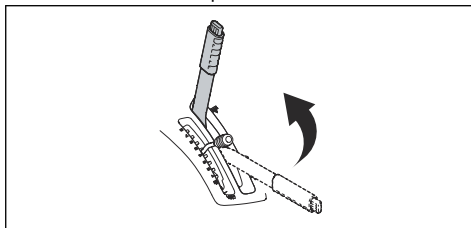
7. Prima o botão de bloqueio na alavanca de elevação da bancada de corte e baixe-a para a posição de corte.



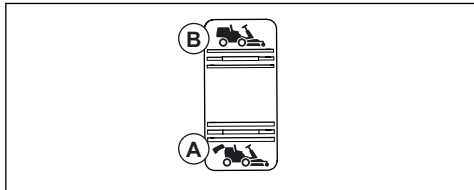
8. Quando o apanhador estiver cheio, acende-se um símbolo (consulte a secção *Interruptor de controlo da broca com indicadores LED na página 117*) a laranja no interruptor de controlo da broca e é emitido um sinal sonoro.

**Nota:** É possível bloquear o sinal sonoro emitido quando o apanhador está cheio ao utilizar os protetores acústicos. Olhe para o interruptor de controlo da broca com frequência para saber quando o apanhador está cheio.

9. Coloque a alavanca de elevação da bancada de corte na posição bloqueada. A bancada de corte levanta e as lâminas param de rodar.



10. Para esvaziar o apanhador, prima a parte traseira do interruptor utilizado para inclinar o apanhador. O apanhador levanta. Mantenha o interruptor premido até que a cobertura abra e a relva caia.



11. Prima a parte dianteira do interruptor para baixar o apanhador até à posição de funcionamento.

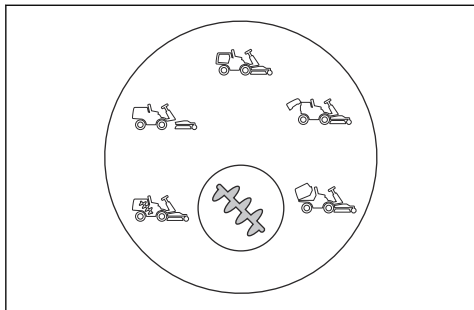
**Nota:** Se o apanhador estiver totalmente inclinado ou em baixo e o utilizador continuar a premir o interruptor, ouve-se um ruído. Isto indica que o apanhador está nas posições finais.



**ATENÇÃO:** Os seus dedos podem ser esmagados entre o apanhador e a estrutura. Não coloque a mão na estrutura nem no apanhador quando o baixar.

## Utilizar o produto no modo de não recolha

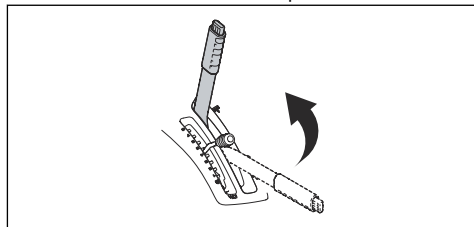
1. Ligue o motor.
2. Certifique-se de que o símbolo no botão de controlo da broca está azul. Isto indica que o produto está no modo de não recolha. Consulte a secção *Interruptor de controlo da broca com indicadores LED* na página 117 para obter informações sobre o que fazer se o símbolo do interruptor de controlo da broca acender ou se o botão de controlo da broca estiver vermelho.



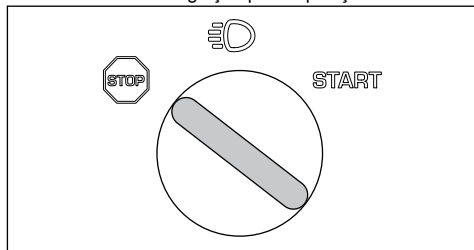
3. Efetue os passos 4 a 8 da secção *Utilizar o produto no modo de recolha* na página 129.
4. Quando começar a cortar, a relva não será recolhida.

## Para parar o motor

1. Puxe a alavanca de elevação da bancada de corte para trás, para a posição bloqueada, para levantar a bancada de corte. As lâminas param de rodar.



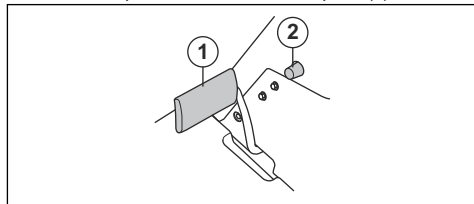
2. Rode a chave de ignição para a posição STOP.



3. Quando o produto parar, aplique o travão de estacionamento.

## Aplicar e soltar o travão de estacionamento

1. Pressione o pedal do travão de estacionamento (1).
2. Mantenha premido o botão de bloqueio (2).



3. Mantenha premido o botão e solte o pedal do travão de estacionamento.
4. Para soltar o travão de estacionamento, volte a pressionar o respetivo pedal.

## Obter bons resultados de corte

- Não corte um relvado molhado. A relva molhada proporciona resultados inferiores.
- Comece com uma altura de corte elevada e baixe-a gradualmente.
- Corte com as lâminas a uma grande velocidade de rotação (a velocidade do motor mais elevada permitida, consulte a secção *Especificações técnicas* na página 148). Desloque o produto para a frente a uma velocidade baixa. Se a relva não for

muito alta nem muito espessa, pode obter bons resultados de corte a velocidades mais elevadas.

- Recomendamos que utilize o produto no modo de recolha. Para obter o melhor resultado de corte no modo de não recolha, corte a relva com frequência. Cortar a relva regularmente não demora mais

tempo. A relva é mais curta e pode cortar a velocidades mais elevadas.

- O produto pode ser utilizado para recolher folhas no relvado. Defina uma altura de corte elevada e coloque o produto no modo de recolha.

## Manutenção

### Introdução



**ATENÇÃO:** Antes de efetuar qualquer tarefa de manutenção, tem de ler e compreender o capítulo sobre segurança.

X = As instruções estão disponíveis neste manual do utilizador.

O = As instruções não estão disponíveis neste manual do utilizador. Solicite a realização da manutenção numa oficina autorizada.

**Nota:** Se mais do que um intervalo de tempo estiver marcado na tabela, o intervalo de tempo mais curto refere-se apenas à primeira manutenção.

### Esquema de manutenção

\* = Manutenção geral realizada pelo utilizador. As instruções não estão disponíveis neste manual do utilizador.

Manutenção	Manutenção diária antes da utilização	Intervalo de manutenção em horas			
		25	50	100	200
Certifique-se de que as porcas e os parafusos estão apertados	*				
Certifique-se de que não existem fugas de óleo nem de combustível	*				
Limpar conforme a secção <i>Limpar o produto na página 133</i>	X				
Limpar sob a bancada de corte	X				
Limpar em redor do silenciador	X				
Certifique-se de que a admissão de ar de refrigeração do motor não está obstruída	X				
Certifique-se de que o refrigerador de óleo hidráulico não está obstruído, apenas no modelo RC 320Ts AWD	X				
Certifique-se de que os dispositivos de segurança não estão defeituosos	X				
Examine e teste os travões	*				
Certifique-se de que o sensor de apanhador cheio funciona corretamente	X				
Verifique o nível do óleo de motor	X				
Verifique o nível do óleo da transmissão	X				
Verifique os cabos da direção	X				
Examine as lâminas da bancada de corte		X			
Limpe a bancada de corte, sob as tampas da correia e sob a própria bancada			X		
Examine os faróis		X	X		
Certifique-se de que a pressão dos pneus está correta		X	X		

Manutenção	Manutenção diária antes da utilização	Intervalo de manutenção em horas			
		25	50	100	200
Verifique o travão de estacionamento			X		
Mude o óleo de motor			X	X	
Mude o filtro de óleo			X	X	
Limpe o filtro de ar		X			
Substitua o filtro de ar				X	
Mude o filtro de combustível				X	
Limpe em redor do sensor de apanhador cheio				X	
Verifique a posição paralela da bancada de corte		X	X		
Lubrifique o tensor da correia.		X	X		
Examine e ajuste os cabos da direção		O	O		
Examine o silenciador e o defletor de calor			O		
Examine a bancada de corte quanto a danos			O		
Mude a vela de ignição				O	
Ajuste o travão de estacionamento.			O		
Verifique e ajuste o cabo do acelerador			O		
Limpe as aletas de arrefecimento no motor e na transmissão			O		
Limpe o motor e a transmissão			O		
Verifique/ajuste a velocidade de rotação das rodas dianteira e traseiras, apenas no modelo RC 320Ts AWD		O		O	
Verifique as correias		O	O		
Verifique a bateria			O		
Verifique a mangueira de combustível. Substitua, se necessário				O	
Mude o óleo na transmissão			O		O
Mude o filtro na transmissão, apenas no modelo RC 320Ts AWD			O		O
Mude o filtro roscado, servo, apenas no modelo RC 320Ts AWD			O		O

## Limpar o produto



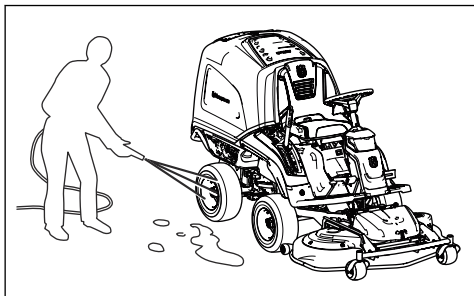
**CUIDADO:** Não utilize uma máquina de lavar à pressão nem uma máquina de limpeza a vapor. A possível entrada de água nos rolamentos e nas ligações elétricas pode causar corrosão, o que danifica o produto.

Limpe o produto imediatamente após cada utilização.

- Antes de parar o motor, deixe a broca a funcionar vazia durante 10 segundos para limpar a relva restante.
- Não limpe as superfícies quentes como o motor, o silenciador e o sistema de escape. Aguarde até as superfícies arrefecerem e, em seguida, remova a relva ou terra.
- Antes de limpar com água, utilize uma escova para remover os cortes de relva e terra da transmissão, da admissão de ar da transmissão e do motor e à volta destes.
- Utilize água corrente para limpar o produto. Não utilize equipamentos de alta pressão.
- Não direcione o jato diretamente para os componentes elétricos nem para os rolamentos.

Normalmente, os aditivos de limpeza aumentam os danos.

- Para limpar a bancada de corte, coloque-a na posição de manutenção e utilize uma mangueira para a enxaguar com água.
- Utilize uma mangueira para enxaguar a superfície interna do apanhador com água.
- Limpe as entradas e as saídas da broca.
- Quando o produto estiver limpo, ligue-o durante um curto período de tempo para eliminar a água restante.



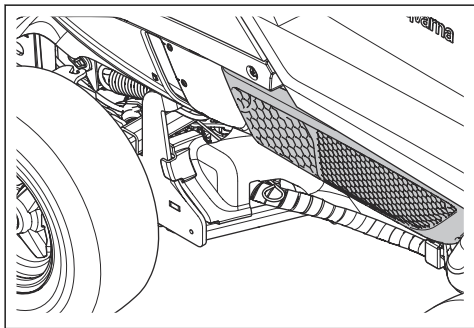
### Limpar o motor e o silenciador

Mantenha o motor e o silenciador isentos de cortes de relva e terra. Os cortes de relva embebidos em combustível ou óleo no motor podem aumentar o risco de incêndio e de sobreaquecimento do motor. Deixe o motor arrefecer antes de limpar. Limpe com água e uma escova.

Os cortes de relva em redor do silenciador secam rapidamente e representam um risco de incêndio. Quando o silenciador estiver frio, utilize uma escova ou remova os cortes de relva com água.

### Limpar a admissão de ar de refrigeração do motor

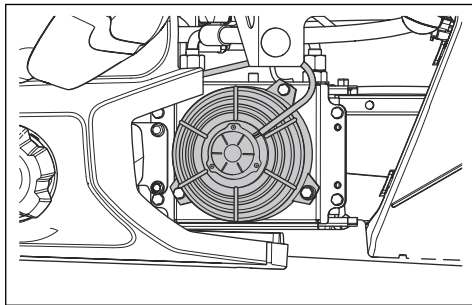
Certifique-se de que a admissão de ar de refrigeração do motor não está obstruída. Remova a relva e a terra com uma escova.



### Limpar o refrigerador de óleo hidráulico

Apenas para o modelo RC 320Ts AWD.

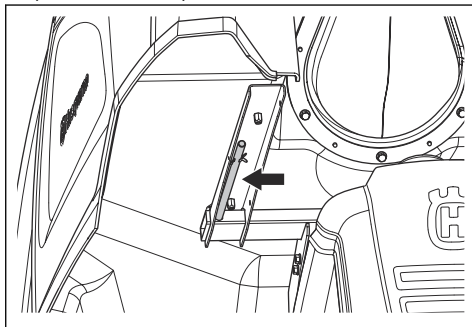
Certifique-se de que a ventoinha de arrefecimento do óleo hidráulico não está obstruída e que a área em redor do refrigerador de óleo hidráulico está limpa. Remova a relva e a terra com uma escova.



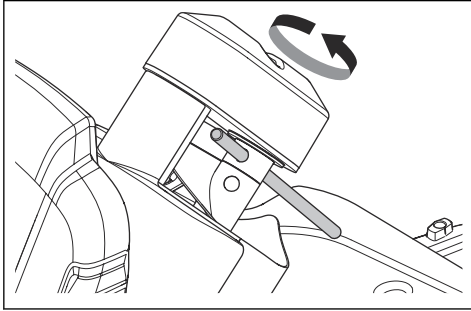
### Remover obstruções da broca

Se o símbolo no botão da broca estiver vermelho e o produto emitir um sinal sonoro contínuo, a broca está obstruída. É necessário remover a obstrução manualmente.

1. Incline o apanhador.
2. Solte a ferramenta de manutenção da broca da parte inferior do apanhador.



3. Coloque a ferramenta de manutenção da broca no orifício situado na parte superior da broca.



4. Segure na ferramenta de manutenção da broca e rode a broca no sentido anti-horário 5 voltas completas. O que causou o bloqueio é empurrado e libertado da broca.
5. Puxe a ferramenta de manutenção da broca para fora e coloque-a de volta no suporte na parte inferior do apanhador.
6. Baixe o apanhador para a posição de funcionamento e ligue o motor.
7. Se o símbolo no botão da broca estiver vermelho e o produto emitir um sinal sonoro ao ligar o motor, desligue-o.
8. Coloque a bancada de corte na posição de manutenção e remova manualmente as obstruções da entrada da broca.
9. Coloque a bancada de corte na posição de corte e ligue o motor.
10. Se o símbolo no botão da broca estiver vermelho e o produto emitir um sinal sonoro ao ligar o motor, desligue-o.
11. Solicite ajuda numa oficina autorizada.

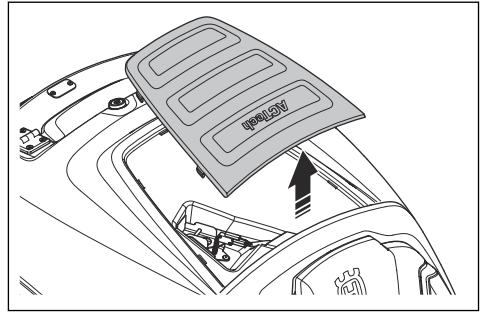
**Nota:** Após a remoção da obstrução, o produto arranca no modo de não recolha e o utilizador tem de seleccionar o modo de recolha novamente.

## Para limpar o sensor de apanhador cheio

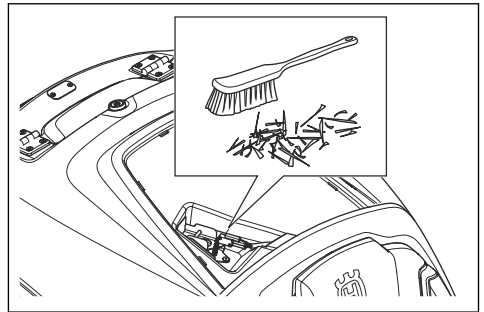
Após várias horas de funcionamento, a relva pode acumular-se em redor do sensor de apanhador cheio. Se o interruptor de controlo da broca não identificar que o apanhador está cheio, é necessário limpar em redor do sensor.

1. Abra a cobertura do apanhador.
2. Desaperte os grampos da cobertura na superfície superior interior do apanhador.

3. Retire a cobertura na parte superior do apanhador.



4. Retire a relva em redor do sensor de apanhador cheio com a mão ou uma escova.



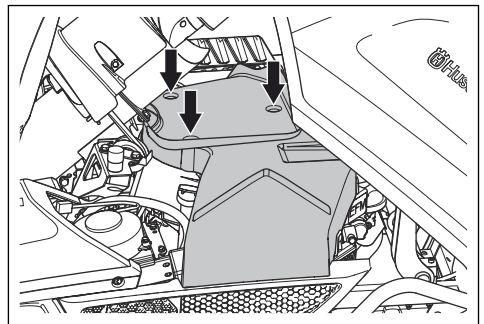
5. Volte a colocar a cobertura. Encaixe primeiro a extremidade dianteira da cobertura e, em seguida, empurre a cobertura para baixo até encaixar na devida posição com um clique.

**Nota:** Fale com uma oficina autorizada se o problema continuar também quando o sensor de apanhador cheio estiver limpo.

## Remover as coberturas

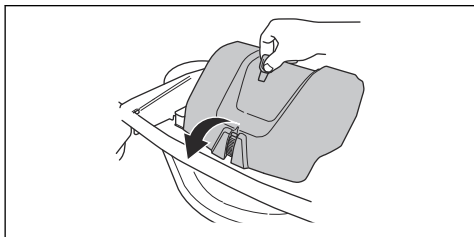
### Cobertura do motor

Incline o apanhador para aceder à cobertura do motor, remova os 3 parafusos e levante a cobertura.



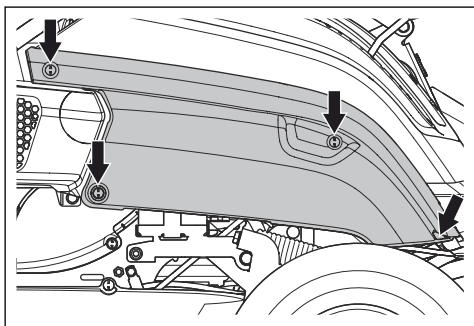
## Cobertura frontal

Solte o grampo da cobertura dianteira com a ferramenta que está presa à chave de ignição e levante a cobertura.



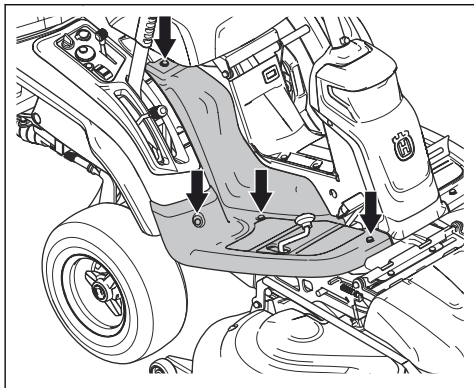
## Cobertura lateral

Retire os 4 parafusos e levante a cobertura.



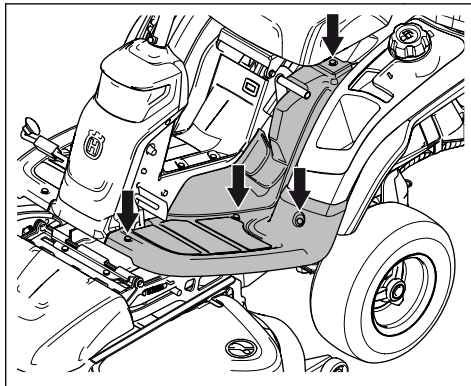
## Placa de base para o pé direito

Rode o botão do pedal da marcha-atrás para o remover. Retire os 4 parafusos e retire a placa de base para o pé.



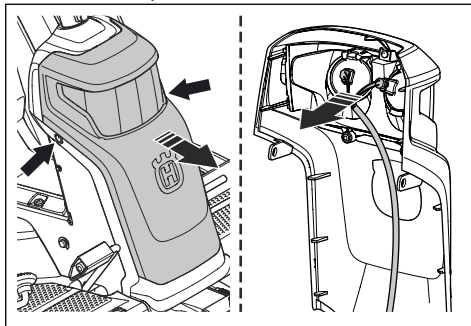
## Placa de base para o pé esquerdo

Retire os 4 parafusos e retire a placa de base para o pé.



## Substituir uma lâmpada danificada

1. Remova os 2 parafusos da cobertura e levante-a.



2. Desligue os cabos da lâmpada danificada.
3. Substitua a lâmpada e ligue os cabos à nova lâmpada. Utilize o tipo de lâmpada indicado na secção *Especificações técnicas na página 148*.
4. Monte a cobertura e aperte os parafusos.

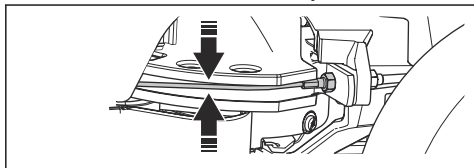
## Examinar os cabos da direção

A tensão dos cabos da direção pode diminuir após um período de tempo. Tal provoca alterações no ajuste da direção.

Examine e ajuste a direção da seguinte forma:



- Os cabos da direção estão bem apertados se os conseguir mover 5 mm para cima ou para baixo na ranhura existente do anel de direção.



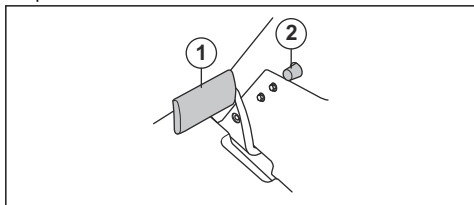
- Se os fios estiverem demasiado soltos, solicite o respetivo ajuste numa oficina autorizada.

## Verificar o travão de estacionamento

- Estacione o produto numa superfície rígida inclinada.

**Nota:** Não estacione o produto num declive com relva quando verificar o travão de estacionamento.

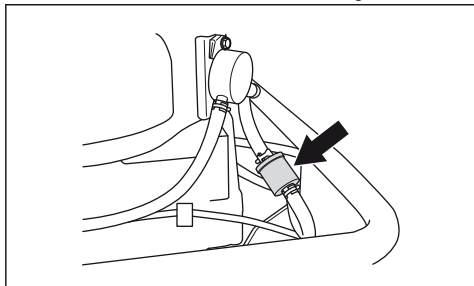
- Pressione o pedal do travão de estacionamento (1).
- Mantenha premido o botão de bloqueio (2) e solte o pedal do travão de estacionamento em simultâneo.



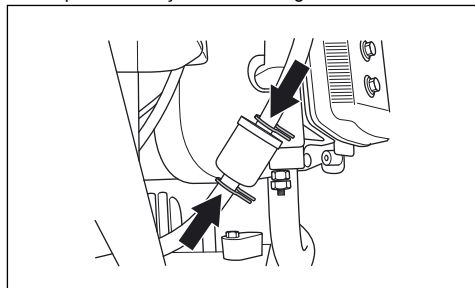
- Se o produto começar a deslocar-se, solicite o ajuste do travão de estacionamento numa oficina autorizada.
- Prima novamente o pedal do travão de estacionamento para soltar o travão de estacionamento.

## Substituir o filtro de combustível

- Incline o apanhador para aceder ao filtro de combustível.
- Utilize um alicate plano para afastar as braçadeiras de mangueira do filtro.
- Puxe o filtro das extremidades da mangueira.

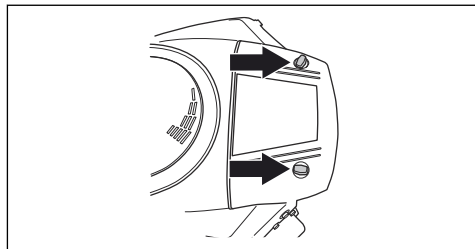


- Pressione o novo filtro para as extremidades das mangueiras. Aplique detergente líquido nas extremidades do filtro para facilitar a ligação.
- Empurre as braçadeira de mangueira contra o filtro.

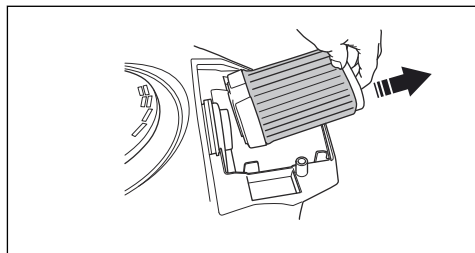


## Para limpar e mudar o filtro de ar

- Abra a cobertura do motor.
- Desaperte os botões que seguram a cobertura do filtro e levante-a.

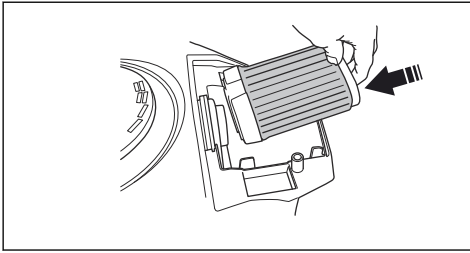


- Levante a extremidade do filtro de ar para o remover.



- Bata o filtro de papel contra uma superfície rígida para o limpar. Não utilize ar comprimido.
- Se o filtro de papel não ficar limpo, substitua-o.

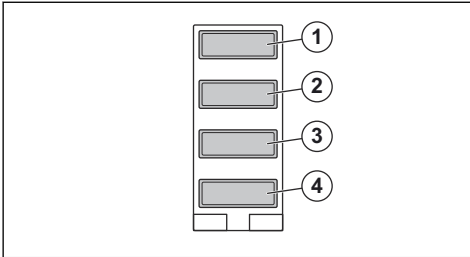
6. Volte a colocar o filtro de ar na mangueira de ar.



7. Empurre o filtro de ar para a posição correta.  
8. Fixe a cobertura do filtro de ar e aperte os botões.

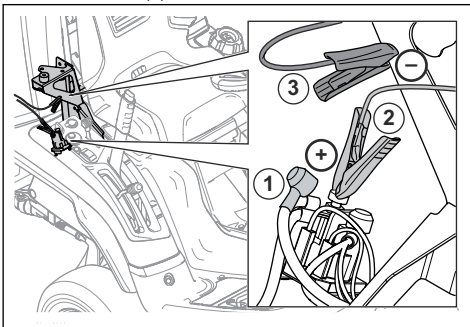
## Substituir um fusível

1. Remova a cobertura do lado direito; consulte a secção *Cobertura lateral na página 136*.
2. Substitua o fusível fundido por um novo. Consulte a ilustração. (1) Ignição, 15 A. (2) Controlo da broca, 7,5 A. (3) Acionador, 30 A. (4) Tomada de alimentação de 12 V, 7,5 A.



## Para carregar a bateria

1. Incline o banco para a frente.
2. Remova a tampa de borracha (1) do solenoide que está ligado ao cabo vermelho da bateria.
3. Ligue o cabo vermelho (+) do carregador da bateria ao solenoide (2).



**CUIDADO:** Para prevenir curtos-circuitos, certifique-se de que o cabo vermelho do carregador da

bateria está ligado ao solenoide correto.

4. Ligue o cabo preto (-) do carregador da bateria a uma peça de metal de zinco conforme apresentado na ilustração (3).



**ATENÇÃO:** A bateria e o sistema elétrico podem ficar danificados e causar ferimentos se utilizar o tipo de carregador incorreto. Utilize apenas o carregador especificado pela Husqvarna para este tipo de bateria (LiFePO<sub>4</sub>).

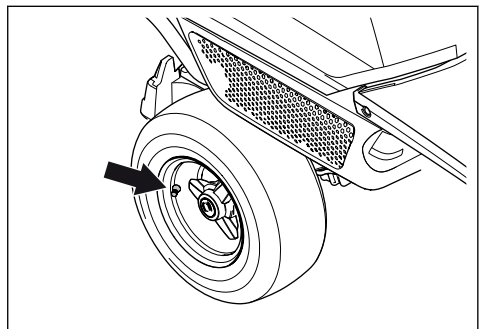
5. Ligue o carregador da bateria.

**Nota:** Se a tensão da bateria for demasiado baixa, a bateria entra no modo de proteção. O carregador da bateria não deteta a bateria e não a carrega. Se tal ocorrer, mantenha premido o botão Reset no carregador da bateria durante 10 segundos até começar a carregar. Saiba mais nas instruções fornecidas com o carregador da bateria.

6. Quando a bateria estiver carregada, pare o carregador e desligue-o da bateria.
7. Volte a colocar a tampa de borracha (1) no solenoide.

## Definir a pressão dos pneus

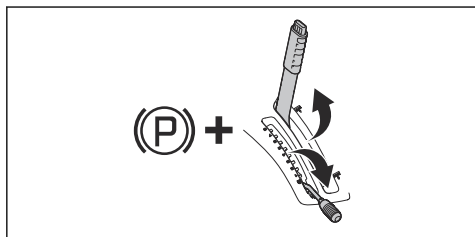
A pressão correta dos pneus é 150 kPa (1,5 bar/ 21,8 PSI) nos 4 pneus.



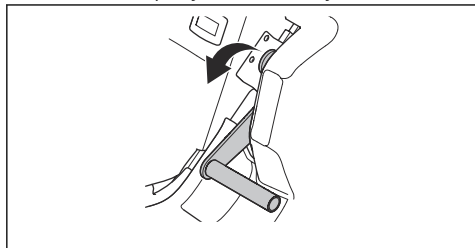
## Colocar a bancada de corte na posição de manutenção

1. Estacione o produto num piso nivelado.
2. Aplique o travão de estacionamento.
3. Coloque a alavanca da altura de corte na posição de manutenção.

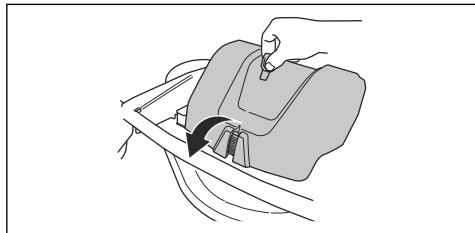
4. Puxe a alavanca de elevação da bancada de corte para trás, para a posição bloqueada, para levantar a bancada de corte.



5. Baixe a alavanca de controlo da broca para a levantar até à posição de manutenção.

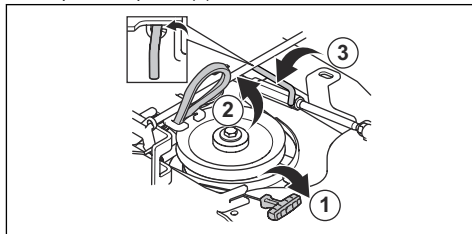


6. Solte o grampo da cobertura dianteira com a ferramenta que está presa à chave de ignição e levante a cobertura.

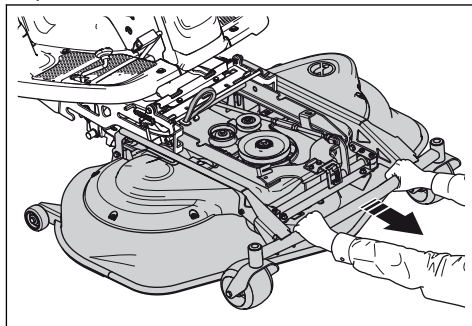


7. Puxe a pega da mola (1) para a direita e retire-a do suporte da mola para aliviar a tensão da correia da transmissão.
8. Segure na pega da mola com a mão esquerda e levante a correia da transmissão com a mão direita.
9. Coloque a correia da transmissão no respetivo suporte (2).
10. Coloque a pega da mola no suporte da mola para prevenir que a mola caia.

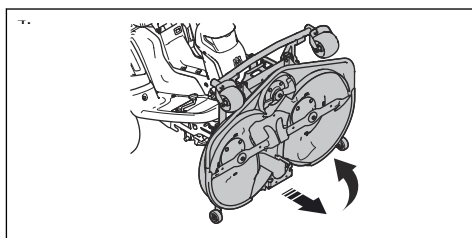
11. Levante o fixador da altura de corte e coloque-o no respetivo suporte. (3)



12. Segure na extremidade dianteira da bancada de corte com as duas mãos e puxe-a para a frente até parar.

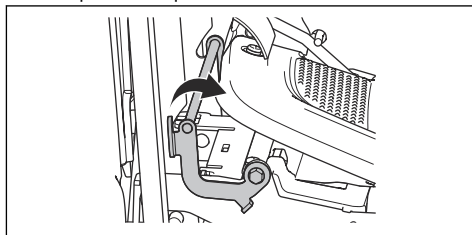


13. Levante a bancada de corte até à posição vertical, até ouvir um som de clique. A bancada de corte é automaticamente bloqueada na posição vertical.

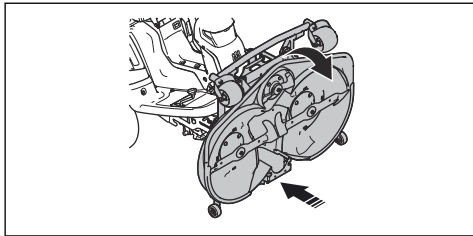


## Colocar a plataforma de corte na posição de corte

1. Segure na extremidade dianteira da bancada de corte com a mão esquerda.
2. Desaperte o bloqueio com a mão direita.

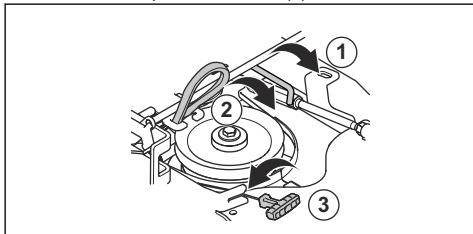


3. Rebata a bancada de corte e empurre-a até parar.

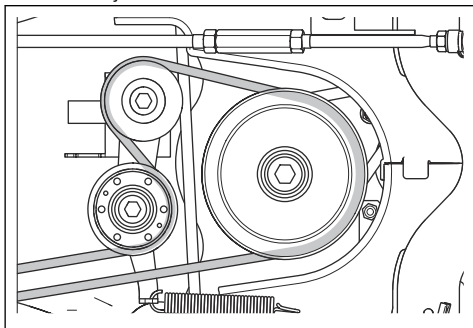


**CUIDADO:** A correia da transmissão pode ficar presa sob a plataforma de corte. Puxe pelo laço da correia da transmissão no suporte da correia antes de empurrar a plataforma de corte para dentro.

4. Levante o fixador da altura de corte do suporte do fixador e coloque-o no orifício (1).

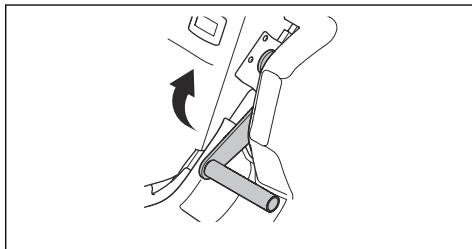


5. Segure na pega da mola e levante a correia da transmissão para fora do suporte.
6. Coloque a correia da transmissão em redor da roda de tensão (2). Certifique-se de que a correia da transmissão está posicionada conforme apresentado na ilustração.



7. Coloque a mola no suporte da mola (3).

8. Puxe a alavanca de posicionamento de manutenção da broca para cima, para a posição de funcionamento.

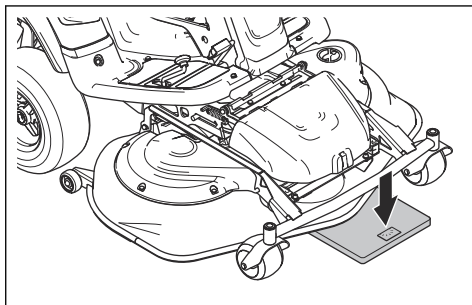


9. Fixe a cobertura dianteira.
10. Defina a alavanca da altura de corte numa das posições de 1-8.

## Verificar e ajustar a pressão exercida na terra pela bancada de corte

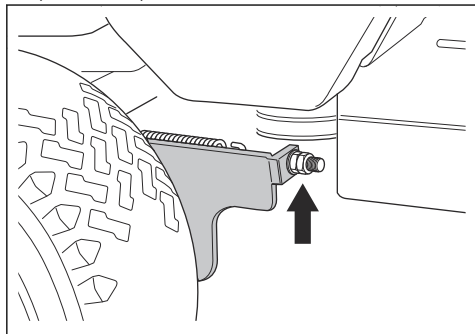
Para obter os melhores resultados de corte, é importante utilizar a pressão correta da bancada de corte sobre a superfície adjacente.

1. Certifique-se de que a pressão do ar nos pneus é 150 kPa (1,5 bar/21,8 PSI).
2. Estacione o produto numa superfície nivelada.
3. Baixe a bancada de corte até à posição de corte.
4. Coloque várias balanças de casa de banho sob a extremidade dianteira da bancada de corte.



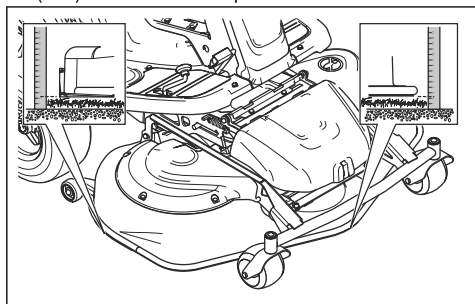
5. Para se certificar de que as rodas de apoio não exercem peso, coloque um bloco entre a estrutura e as balanças.
6. Para ajustar a pressão exercida na terra, rode os parafusos de ajuste situados atrás das rodas dianteiras no lado direito e esquerdo.

7. Rode os parafusos para direita ou esquerda até que a pressão exercida na terra esteja entre 12 e 15 kg (26,5 a 33 lb).



### Verificar a posição paralela da bancada de corte

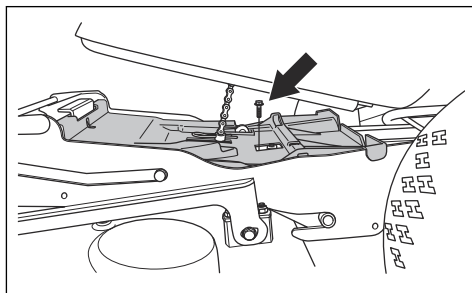
1. Certifique-se de que a pressão do ar nos pneus é 150 kPa (1,5 bar/21,8 PSI).
2. Estacione o produto numa superfície nivelada.
3. Baixe a bancada de corte até à posição de corte.
4. Meça a distância entre o solo e as extremidades dianteira e traseira da bancada de corte e certifique-se de que a extremidade traseira está 4 a 6 mm (1/5") mais elevada do que a extremidade dianteira.



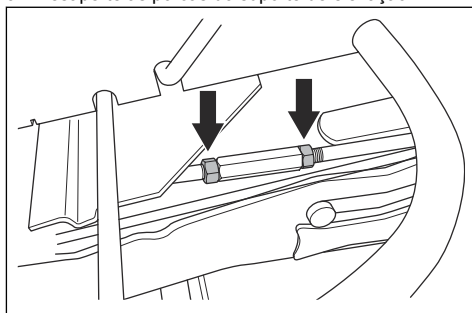
### Ajustar a posição paralela da bancada de corte

1. Remova a cobertura dianteira e a placa de base para o pé direito.

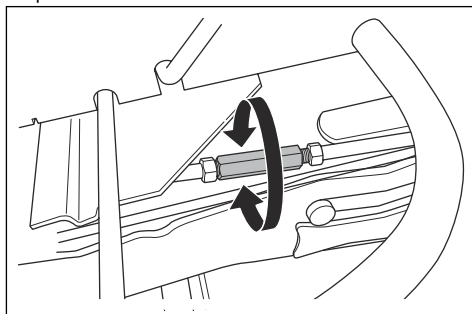
2. Remova os parafusos que prendem a proteção da correia e remova-a.



3. Desaperte as porcas do suporte de elevação.



4. Rode o suporte de elevação para alongar ou encurtar o fixador. Alongue o fixador para elevar a extremidade traseira da cobertura. Encurte o fixador para baixar a extremidade traseira da cobertura.

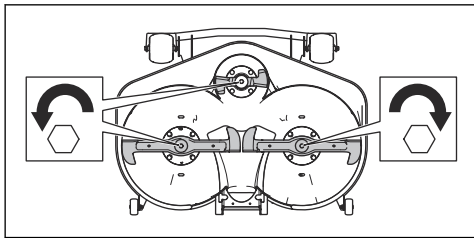


5. Aperte as porcas do suporte de elevação quando terminar o ajuste.
6. Verifique o paralelismo. Consulte *Verificar a posição paralela da bancada de corte na página 141*.
7. Fixe a proteção da correia e aperte os parafusos.
8. Fixe a placa de base para o pé direito e a cobertura dianteira.

### Examinar as lâminas

Coloque a bancada de corte na posição de manutenção. Observe as lâminas para verificar se estão danificadas e se é necessário afiá-las. Aperte os

parafusos das lâminas com um binário de aperto de 60 Nm na direção das setas da ilustração.



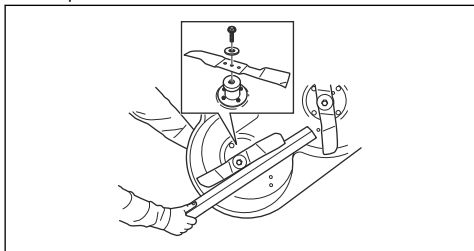
**CUIDADO:** As lâminas danificadas ou incorretamente equilibradas provocam desequilíbrios que podem danificar o produto. Substitua as lâminas danificadas. Solicite ajuda numa oficina autorizada para afiar e equilibrar as lâminas rombas.

## Substituir as lâminas

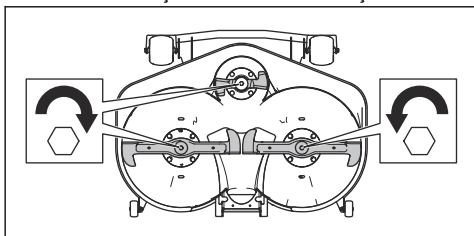


**CUIDADO:** As cabeças dos parafusos podem ser danificadas se as tentar desapertar na direção incorreta.

1. Coloque a bancada de corte na posição de manutenção.
2. Bloqueie a lâmina com um bloco de madeira.



3. Desaperte e remova o parafuso da lâmina, as arruelas e a lâmina. Desaperte os parafusos das lâminas na direção das setas da ilustração.



4. Monte a nova lâmina com as extremidades angulares na direção da bancada de corte.



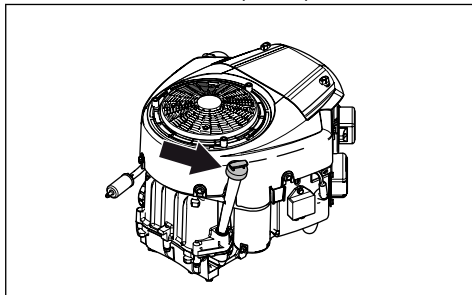
**ATENÇÃO:** O tipo de lâmina incorreto pode causar a projeção de objetos da bancada de corte e

resultar em ferimentos graves. Utilize apenas as lâminas indicadas na secção *Especificações técnicas* na página 148.

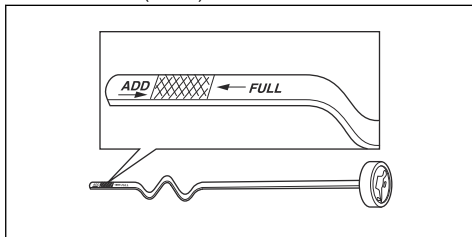
5. Fixe a lâmina com a arruela e o parafuso com um binário de aperto de 60 Nm.

## Verificar o nível do óleo de motor

1. Estacione o produto num piso nivelado e pare o motor.
2. Abra a cobertura do motor.
3. Solte a vareta de nível e puxe-a para fora.



4. Limpe o óleo da vareta de nível.
5. Volte a colocar a vareta de nível e aperte-a.
6. Solte e puxe a vareta de nível para fora para verificar o nível do óleo.
7. O nível do óleo tem de estar entre as marcas da vareta de nível. Se o nível estiver junto à marca ADD (Adicionar), encha o depósito de óleo até à marca FULL (Cheio).



8. Verta o óleo lentamente pelo orifício em que a vareta de nível assenta.

**Nota:** Consulte *Especificações técnicas* na página 148 para obter os tipos de óleo do motor que recomendamos. Não misture tipos diferentes de óleo.

9. Aperte corretamente a vareta de nível antes de ligar o motor. Ligue o motor e deixe-o ao ralenti durante, aproximadamente, 30 segundos. Desligue o motor. Aguarde 30 segundos e verifique novamente o nível do óleo.

## Para mudar o óleo de motor e o filtro de óleo

Se o motor estiver frio, ligue o motor durante 1 a 2 minutos antes de drenar o óleo de motor. Isto aquece o óleo de motor e facilita a respetiva drenagem.

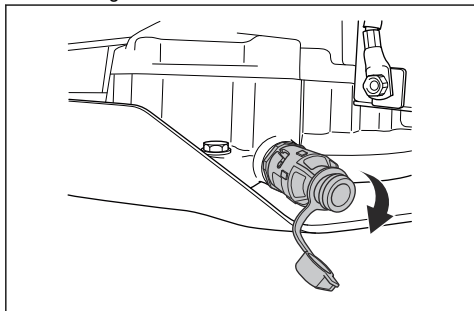


**ATENÇÃO:** Não coloque o motor em funcionamento durante mais de 1 a 2 minutos antes de drenar o óleo de motor. O óleo do motor fica muito quente e pode causar queimaduras. Deixe o motor arrefecer antes de drenar o óleo de motor.

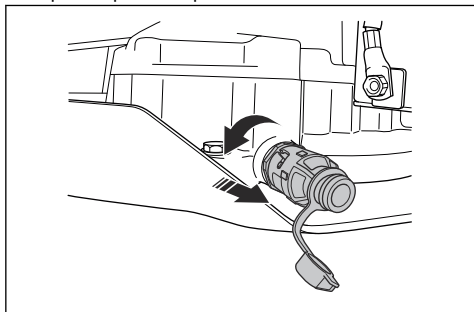


**ATENÇÃO:** Se derramar óleo de motor no seu corpo, limpe com água e sabão.

1. Abra o tampão de plástico na extremidade do bujão de drenagem do óleo.

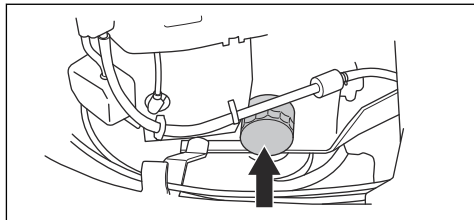


2. Para facilitar a drenagem do óleo sem derramamentos, fixe, por exemplo, uma mangueira de plástico na extremidade do bujão de drenagem do óleo.
3. Coloque um recipiente sob o bujão de drenagem do óleo.
4. Remova a vareta de nível.
5. Rode o bujão de drenagem do óleo para a esquerda e puxe-o para fora para o abrir.



6. Deixe o óleo escorrer para o recipiente.

7. Empurre o bujão de drenagem do óleo para dentro e rode-o para a direita para o fechar.
8. Retire a mangueira de plástico e volte a colocar o tampão no bujão de drenagem do óleo.
9. Rode o filtro de óleo para a esquerda para o remover.

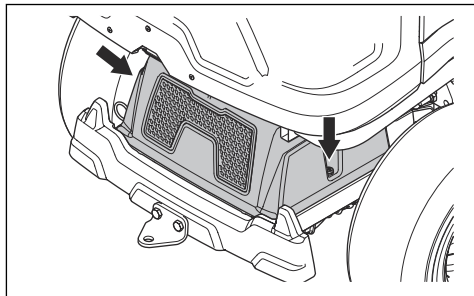


10. Lubrifique ligeiramente o vedante de borracha do novo filtro de óleo com óleo novo.
11. Para fixar o filtro de óleo, rode-o no sentido horário com a mão até o vedante de borracha estar na devida posição e, em seguida, aperte mais meia volta.
12. Encha o depósito com óleo novo, conforme indicado na secção *Verificar o nível do óleo de motor na página 142*.
13. Ligue o motor e deixe-o ao ralenti durante 3 minutos.
14. Pare o motor e certifique-se de que o filtro de óleo não tem fugas.
15. Encha com óleo para compensar o óleo absorvido pelo novo filtro de óleo.

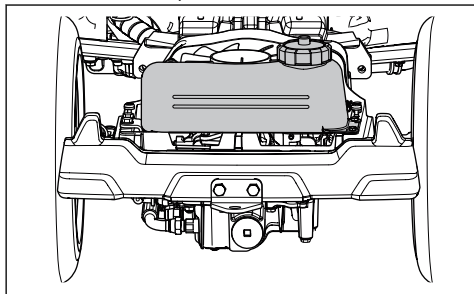
**Nota:** Para a eliminação segura do óleo de motor utilizado, consulte a secção *Eliminação na página 147*.

## Verificar o nível do óleo da transmissão

1. Remova os dois parafusos, um de cada lado, e levante a cobertura da transmissão.



2. Certifique-se de que o nível do óleo no depósito de óleo da transmissão está entre as duas linhas horizontais do depósito.

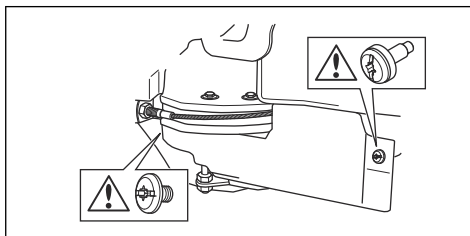


3. Encha com óleo de motor se o nível do óleo estiver abaixo da linha inferior, mas não encha se estiver acima da linha superior. Consulte a secção *Especificações técnicas na página 148* para saber o nível de óleo recomendado para os modelos RC 318T e RC 320Ts AWD. É necessário utilizar óleo sintético no modelo RC 320Ts AWD.

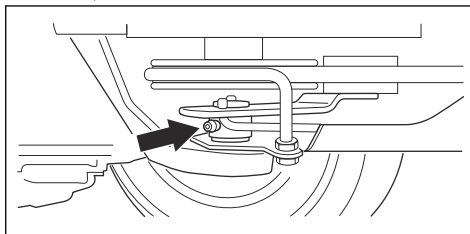
### Lubrificar o tensor da correia

O tensor da correia tem de ser lubrificado regularmente com uma massa lubrificante de dissulfureto de molibdénio de boa qualidade.

1. Remova os 2 parafusos que prendem a proteção da correia e levante-a.



2. Lubrifique com uma bomba de massa lubrificante 1 bocal do lado direito, debaixo da correia da polia inferior, até a massa lubrificante sair.



3. Fixe a proteção da correia e aperte os 2 parafusos.

## Resolução de problemas

### Esquema de resolução de problemas

Se não encontrar uma solução para os seus problemas neste manual do proprietário, contacte uma oficina autorizada Husqvarna.

Problema	Causa
O motor de arranque não inverte o motor	O travão de estacionamento não está aplicado. Consulte o capítulo <i>Circuito de segurança na página 122</i> .
	A alavanca de elevação da bancada de corte está na posição de corte. Consulte o capítulo <i>Circuito de segurança na página 122</i> .
	O fusível principal está fundido. Consulte o capítulo <i>Substituir um fusível na página 138</i> .
	A fechadura da ignição está defeituosa.
	Má ligação entre o cabo e a bateria. Consulte o capítulo <i>Segurança da bateria na página 124</i> .
	A bateria está demasiado fraca. Consulte o capítulo <i>Para carregar a bateria na página 138</i> .
	O motor de arranque está defeituoso.



<b>Problema</b>	<b>Causa</b>
O motor não arranca quando o motor de arranque inverte o motor	Não há combustível no depósito de combustível. Consulte o capítulo <i>Encher o depósito de combustível na página 127.</i>
	A vela de ignição está defeituosa.
	O cabo de ignição está defeituoso.
	Existe sujidade no carburador ou na linha de combustível.
O motor não funciona regularmente	A vela de ignição está defeituosa.
	O carburador não está bem colocado.
	O filtro de ar está obstruído. Consulte o capítulo <i>Para limpar e mudar o filtro de ar na página 137.</i>
	A ventilação do depósito de combustível está obstruída.
	Existe sujidade no carburador ou na linha de combustível.
Aparentemente, o motor não tem potência	O filtro de ar está obstruído. Consulte o capítulo <i>Para limpar e mudar o filtro de ar na página 137.</i>
	A vela de ignição está defeituosa.
	Existe sujidade no carburador ou na linha de combustível.
	O cabo do acelerador está ajustado incorretamente.
A transmissão não tem potência suficiente	A admissão de ar de refrigeração da transmissão ou as flanges de refrigeração estão obstruídas.
	A ventoinha da transmissão está danificada.
	A ventoinha de arrefecimento do óleo hidráulico (apenas no modelo RC 320Ts AWD) está obstruída. Consulte o capítulo <i>Limpar o refrigerador de óleo hidráulico na página 134.</i>
	A ventoinha de arrefecimento do óleo hidráulico (apenas no modelo RC 320Ts AWD) está danificada.
	Não existe óleo na transmissão ou o nível do óleo está demasiado baixo. Consulte o capítulo <i>Verificar o nível do óleo da transmissão na página 143.</i>
A bateria não carrega	A bateria está defeituosa. Consulte o capítulo <i>Segurança da bateria na página 124.</i>
	Má ligação nos conectores de cabos nos terminais da bateria. Consulte o capítulo <i>Segurança da bateria na página 124.</i>
	A bateria está no modo de proteção. Consulte o capítulo <i>Para carregar a bateria na página 138.</i>

Problema	Causa
O produto vibra	O apanhador está cheio. O utilizador ignorou o sinal de apanhador cheio ou o sensor de apanhador cheio está definido na posição incorreta. Consulte o capítulo <i>Ajustar o sensor de apanhador cheio na página 128</i> .
	O produto está a ser utilizado em relva comprida, espessa e/ou molhada no modo de não recolha. Consulte o capítulo <i>Obter bons resultados de corte na página 131</i> .
	As lâminas estão soltas. Consulte o capítulo <i>Examinar as lâminas na página 141</i> .
	Uma ou mais lâminas estão desequilibradas. Consulte o capítulo <i>Examinar as lâminas na página 141</i> .
	A broca está danificada.
	O motor está solto.
O resultado de corte não é satisfatório	As lâminas estão rombas. Consulte o capítulo <i>Substituir as lâminas na página 142</i> .
	A relva é comprida ou está molhada. Consulte o capítulo <i>Obter bons resultados de corte na página 131</i> .
	A bancada de corte está inclinada.
	Existe uma obstrução de relva na bancada de corte. Consulte o capítulo <i>Limpar o produto na página 133</i> .
	A pressão dos pneus é diferente nos lados esquerdo e direito. Consulte o capítulo <i>Definir a pressão dos pneus na página 138</i> .
	O produto é utilizado a uma velocidade demasiado elevada. Consulte o capítulo <i>Obter bons resultados de corte na página 131</i> .
	A velocidade do motor é demasiado baixa. Consulte o capítulo <i>Obter bons resultados de corte na página 131</i> .
	A correia da transmissão salta.

## Transporte, armazenamento e eliminação

### Transporte

- O produto é pesado e pode causar ferimentos graves por esmagamento. Tenha cuidado ao carregá-lo e descarregá-lo de um veículo ou reboque.
- Utilize um reboque aprovado para o transporte do produto.
- Certifique-se de que conhece as regras de trânsito locais antes de transportar o produto num reboque ou em estradas.

### Fixar o produto em segurança num reboque para transportar

durante o transporte. Fixe o produto com firmeza no reboque.

Equipamento: 2 cintas tensoras aprovadas e 4 calços de rodas em forma de cunha.

1. Aplique o travão de estacionamento.
2. Fixe as cintas tensoras em redor da estrutura ou do vagão traseiro.
3. Aperte as cintas tensoras na direção da traseira e da dianteira do reboque para fixar o produto em segurança.
4. Coloque os calços de rodas em frente e atrás das rodas traseiras.



**ATENÇÃO:** O travão de estacionamento não é suficiente para bloquear o produto

## Rebocar o produto

O produto tem uma transmissão hidrostática. Para evitar danos na transmissão, reboque o produto a baixa velocidade e apenas em distâncias curtas.

Desengate a transmissão durante o reboque. Consulte o capítulo *Ativar e desativar o sistema de acionamento na página 128*.

## Armazenamento

Prepare o produto para armazenamento no final da estação e antes de mais de 30 dias de armazenamento. Se mantiver o combustível no depósito de combustível durante 30 dias ou mais, a aderência de partículas pode causar obstruções no carburador. Tal tem um efeito negativo no funcionamento do motor.

Para evitar a aderência de partículas durante o armazenamento, adicione um estabilizador. Se utilizar uma gasolina com base em alquilatos, não é necessário um estabilizador. Se utilizar gasolina normal, não mude para gasolina com alquilatos. Tal pode fazer com que as peças de borracha sensíveis se tornem rígidas. Adicione estabilizador ao combustível no depósito ou no recipiente utilizado para o armazenamento. Utilize sempre as proporções de mistura indicadas pelo fabricante. Coloque o motor em funcionamento durante, pelo menos, 10 minutos após a adição do estabilizador, até que este flua para o carburador.



**ATENÇÃO:** Não mantenha o produto com combustível no depósito em espaços interiores ou em locais pouco ventilados. Risco de incêndio se os fumos do combustível se aproximarem de chamas abertas, faíscas ou luzes piloto, por exemplo, caldeiras, reservatórios de água quente e secadores de vestuário.



**ATENÇÃO:** Remova a relva, as folhas e outros materiais inflamáveis do produto para reduzir o risco de incêndio. Deixe o produto arrefecer antes de o armazenar.

- Limpe o produto, consulte a secção *Limpar o produto na página 133*. Retoque os danos na pintura para prevenir a corrosão.
- Examine o produto quanto a peças gastas ou danificadas e aperte as porcas e os parafusos soltos.
- Carregue a bateria. Utilize apenas o carregador especificado pela Husqvarna para este tipo de bateria (LiFePO4).
- Mude o óleo de motor e elimine o óleo usado.
- Esvazie o depósito de combustível. Ligue o motor e deixe-o trabalhar até não existir combustível no carburador.

**Nota:** Não esvazie o depósito de combustível e o carburador se tiver adicionado um estabilizador.

- Remova as velas e coloque, aproximadamente, uma colher de sopa de óleo de motor em cada cilindro. Rode manualmente o eixo do motor para distribuir o óleo e volte a apertar as velas.
- Lubrifique todos os copos de lubrificação, juntas e eixos.
- Armazene o produto numa área limpa e seca, e cubra-o para proporcionar mais proteção.
- Pode adquirir uma cobertura para o produto durante o armazenamento ou o transporte no seu concessionário.

## Eliminação

- Os produtos químicos podem ser perigosos e não podem ser eliminados no solo. Elimine sempre os químicos usados num centro de assistência ou numa localização de eliminação aplicável.
- Quando o produto estiver gasto, proceda ao respetivo envio para o concessionário ou para uma localização de reciclagem adequada.
- O óleo, os filtros de óleo, o combustível e a bateria podem ter efeitos negativos no meio ambiente. Respeite os requisitos de reciclagem locais e os regulamentos aplicáveis.
- Não elimine a bateria como um lixo doméstico.
- Envie a bateria para uma oficina autorizada Husqvarna ou elimine-a numa localização de eliminação de baterias usadas.

## Especificações técnicas

### Especificações técnicas

	RC 318T	RC 320Ts AWD
<b>Dimensões</b>		
Comprimento sem bancada de corte, mm	2089	2089
Largura sem bancada de corte, mm	1030	1030
Comprimento com bancada de corte, mm	2394	2394
Altura, mm	1284	1284
Peso sem bancada de corte e com depósitos vazios, kg	326	327
Distância entre rodas, mm	903	903
Largura dos trilhos, dianteiros, mm	860	860
Largura dos trilhos, traseiros, mm	670	670
Dimensões dos pneus	16 × 6,50 × 8	16 × 6,50 × 8
Pressão dos pneus, traseiros – dianteiros, kPa/bar/PSI	150/1,5/21,8	150/1,5/21,8
Declive máx., graus °	10	10
<b>Motor</b>		
Marca/Modelo	Briggs & Stratton/Endurance 7200 Twin	Briggs & Stratton/Endurance 7220 Twin
Potência nominal do motor, kW <sup>13</sup>	12,6	12,6
Deslocamento, cm <sup>3</sup>	656	656
Rotação máxima do motor, r/min.	3000 +/- 100	3000 +/- 100
Velocidade máx. em marcha em frente, km/h	8,5	8,5
Combustível, índice de octanas mínimo	91	91
Volume do depósito, litros	12	12
Óleo	Classe SF, SG, SH ou SJ SAE40, SAE30, SAE10W-30, SAE10W-40 ou SAE5W-20	Classe SF, SG, SH ou SJ SAE40, SAE30, SAE10W-30, SAE10W-40 ou SAE5W-20
Volume do óleo incluindo filtro, litros	1,9	1,9
Volume do óleo excluindo filtro, litros	1,6	1,6
Motor de arranque	Arranque elétrico de 12 V	Arranque elétrico de 12 V
<b>Transmissão</b>		
Marca	Tuff Torq	Tuff Torq

<sup>13</sup> A potência nominal do motor indicado é a potência líquida média (a um valor de rpm especificado) de um motor de produção típico do modelo de motor avaliado de acordo com a norma J1349/ISO1585 da SAE. Motores produzidos em série poderão divergir deste valor. A potência real do motor instalado no produto final dependerá da velocidade de operação, das condições ambientais e de outros parâmetros.

	<b>RC 318T</b>	<b>RC 320Ts AWD</b>
Modelo	K66 AT	K664M/KTM10T
Óleo, classe SF-CC	SAE 10W/40	SAE 10W/50 Synthetic
<b>Sistema elétrico</b>		
Tipo	12 V, negativo ligado à terra	12 V, negativo ligado à terra
Bateria	LiFePO <sub>4</sub>	LiFePO <sub>4</sub>
Tensão de carregamento máx. da bateria	14,4 V	14,4 V
Corrente de carregamento máx. da bateria	3,0 A	3,0 A
Vela de ignição	XC92YC	XC92YC
Distância entre os eletrodos, mm/pol.	0,75/0,030	0,75/0,030
Lâmpada	LED GU5.3 12 V 4,5–6,5 W	LED GU5.3 12 V 4,5–6,5 W
<b>Bancada de corte</b>		
Tipo	Combi 103	Combi 103
	Combi 112	Combi 112

<b>Bancada de corte</b>	<b>Combi 103</b>	<b>Combi 112</b>
Largura, mm	1086	1176
Largura de corte, mm	1030	1120
Altura de corte, 8 posições, mm	25-75	25-75
Peso, kg	63	63
<b>Emissões de ruído<sup>14</sup></b>		
Nível de potência sonora, dB(A) medidos	99	99
Nível de potência sonora, dB(A) garantidos	100	100
<b>Níveis acústicos<sup>15</sup></b>		
Nível de pressão sonora ao nível do ouvido do operador, dB(A)	85	85
<b>Níveis de vibração<sup>16</sup></b>		
Nível de vibração no volante, m/s <sup>2</sup>	2,4 m/s <sup>2</sup>	2,4 m/s <sup>2</sup>
Nível de vibração no banco, m/s <sup>2</sup>	0,5 m/s <sup>2</sup>	0,5 m/s <sup>2</sup>
<b>Lâminas</b>		
Comprimento da lâmina esquerda e direita, mm	510	555

<sup>14</sup> Emissões de ruído para as imediações, medidas sob forma de potência sonora ( $L_{WA}$ ) em conformidade com a diretiva da CE 2000/14/CE.

<sup>15</sup> Nível de pressão sonora em conformidade com a norma EN ISO 5395. Os dados comunicados relativamente ao nível de pressão de ruído têm uma dispersão estatística típica (desvio padrão) de 1,2 dB(A).

<sup>16</sup> Nível de vibração em conformidade com a norma EN ISO 5395. Os dados comunicados relativos ao nível de vibração têm uma dispersão estatística típica (desvio padrão) de 0,2 m/s<sup>2</sup> (volante) e 0,8 m/s<sup>2</sup> (banco).

Bancada de corte	Combi 103	Combi 112
Comprimento da lâmina centrada, mm	243	243
Número de artigo da lâmina esquerda	590 74 94-10	588 82 43-10
Número de artigo da lâmina direita	590 74 94-20	588 82 43-20
Número de artigo da lâmina centrada	588 82 44-10	588 82 44-10



**ATENÇÃO:** Utilizar uma bancada de corte que não esteja aprovada para o produto pode provocar a projeção de objetos a velocidades elevadas e causar ferimentos

graves. Não utilize outros tipos de bancada de corte que não o especificado neste manual do proprietário.

---

## Assistência

---

### Assistência

Efetue uma verificação anual num centro de assistência autorizado para se certificar de que o produto funciona em segurança e nas melhores condições durante a estação de grande utilização. A melhor altura para a manutenção ou revisão geral do produto é a época baixa.

Quando fizer uma encomenda de peças sobresselentes, forneça informações sobre o ano de compra, o modelo, o tipo e o número de série.

Utilize sempre peças sobresselentes originais.

---

## Garantia

---

### Garantia da transmissão

Aplica-se apenas ao modelo RC 320Ts AWD.

A garantia da transmissão apenas se aplica se forem efetuadas verificações da velocidade de rotação das rodas dianteiras e traseiras de acordo com o esquema de manutenção. Para prevenir danos no sistema da transmissão, solicite o respetivo ajuste numa oficina autorizada. Consulte os valores especificados na tabela presente no manual de oficina.

---

# Declaração CE de conformidade

---

## Declaração CE de conformidade

A **Husqvarna AB**, SE-561 82 Huskvarna, Suécia, tel: +46-36-146500, declara que o **trator corta relva Husqvarna RC 318T e RC 320Ts AWD** está em conformidade com o estipulado na DIRETIVA DO CONSELHO:

- de 17 de maio de 2006 "referente a máquinas" **2006/42/CE**
- de 26 de fevereiro de 2014 "referente à compatibilidade eletromagnética" **2014/30/UE**
- de 8 de maio de 2000 "referente a emissões de ruído para o ambiente" **2000/14/CE**

Para obter informações relativas às emissões de ruído e a largura de corte; consulte as Especificações técnicas.

Foram respeitadas as seguintes normas uniformizadas:

**EN ISO 12100, EN ISO 5395-1, EN ISO 5395-3, EN ISO 14982**

Salvo indicação em contrário, as normas apresentadas acima são as versões publicadas mais recentes.

Entidade competente: **0404, RISE SMP Svensk Maskinprovning AB, Box 7035, SE-750 07 Uppsala** emitiu relatórios relativos à avaliação de conformidade de acordo com o anexo VI da DIRETIVA DO CONSELHO de 8 de maio de 2000 "referente a emissões de ruído para o ambiente " 2000/14/CE.

Os certificados têm os números: 01/901/283, 01/901/301

Huskvarna, 2017-12-31



Claes Losdal, Chefe de Desenvolvimento/Produtos de Jardinagem (representante autorizado da Husqvarna AB e responsável pela documentação técnica)



[www.husqvarna.com](http://www.husqvarna.com)

Original instructions  
Instrucciones originales  
Istruzioni originali  
Instruções originais

1159245-30



2018-06-13