

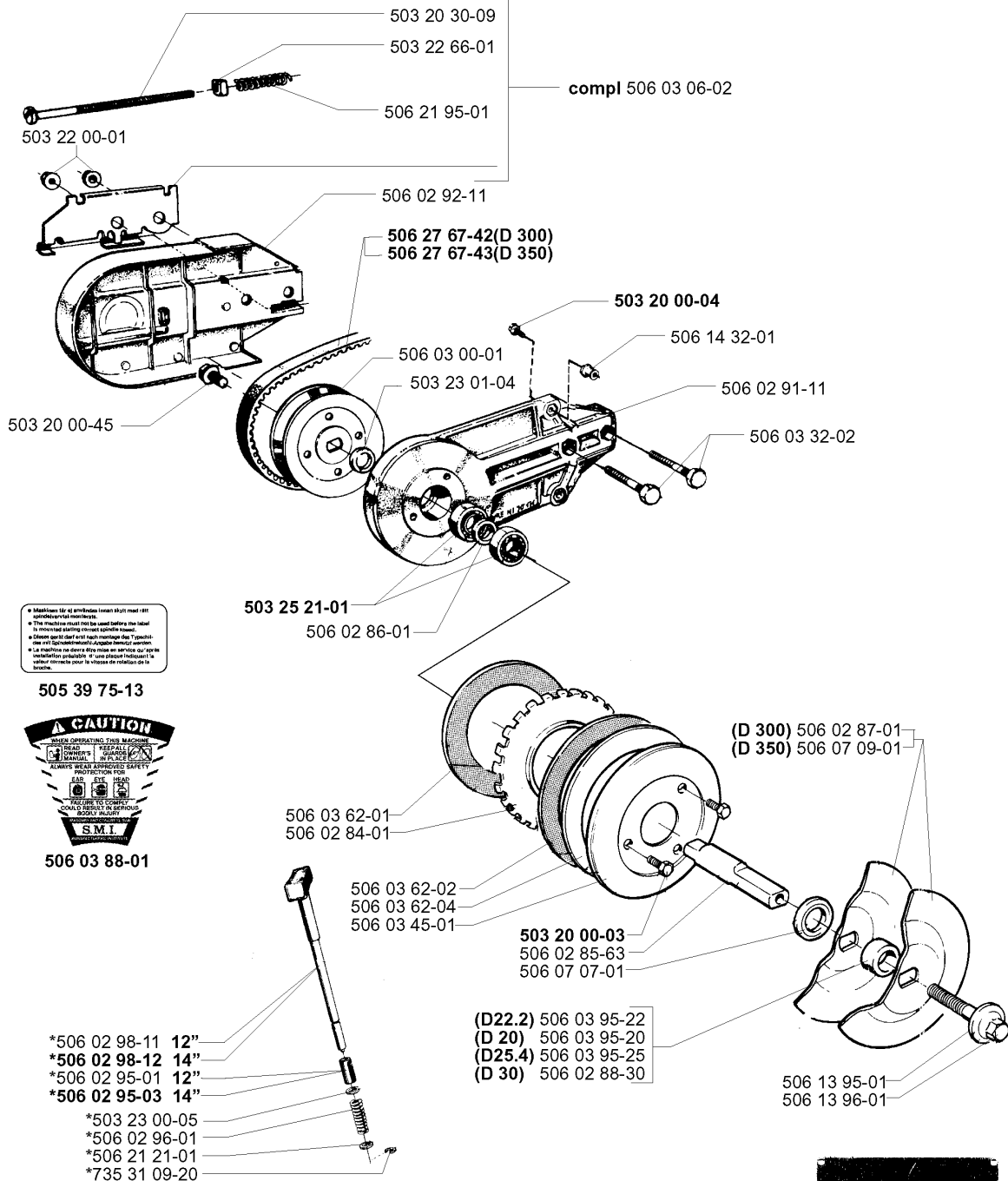


# SPARE PARTS LIST

POWER CUTTERS

268K, 1999-09

**A**



© Maschinens für all applications lesen Sie vor dem  
Schnittstellen-Handbuch.  
The machine must not be used before the label  
is removed starting on next page.  
Si vous ne lisez pas attentivement les  
instructions de l'opérateur, vous pouvez être blessé.  
Si la machine ne s'allume pas, vérifiez que les  
câbles sont correctement branchés et que les  
câbles sont correctement branchés.

505 39 75-13



506 03 88-01

- (D22.2) 506 03 95-22
- (D 20) 506 03 95-20
- (D25.4) 506 03 95-25
- (D 30) 506 02 88-30



- \*compl 506 13 81-09 (D 300) 12"
- \*compl 506 13 82-09 (D 350) 14"



- 506 28 41-02 12" Ø20.0
- 506 28 41-01 12" Ø22.2
- 506 28 41-04 12" Ø25.4



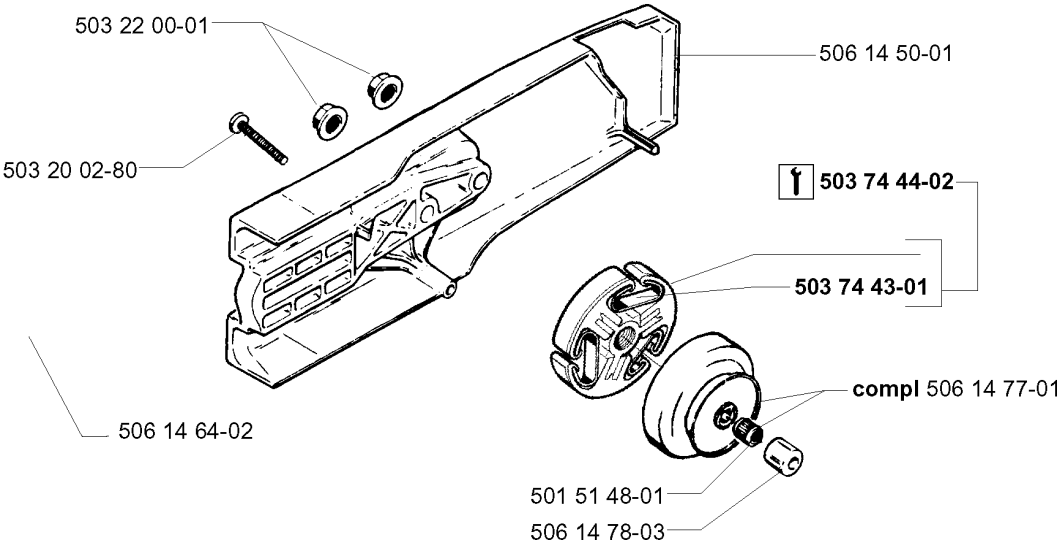
- 506 28 41-12 14" Ø20.0
- 506 28 41-11 14" Ø22.2
- 506 28 41-14 14" Ø25.4

## CUTTING ARM &amp; BLADE GUARD

268K, 1999-09

Part No	Description	Remark	QTY KIT
503 20 00-03	SCREW		1
503 20 00-04	SCREW EHHFM		1
503 20 00-45	SCREW EHHFM		1
503 20 30-09	SCREW SLCHM		1
503 22 00-01	HEXAGON NUT		1
503 22 66-01	SQUARE NUT		1
503 23 00-05	WASHER		1
503 23 01-04	WASHER		1
503 25 21-01	BALL BEARING		1
505 39 75-13	LABEL		1
506 02 84-01	LOCKWASHER		1
506 02 85-63	SHAFT		1
506 02 86-01	SPACING SLEEVE		1
506 02 87-01	FLANGE WASHER	D 300	1
506 02 88-30	BUSHING	D 30	1
506 02 91-11	HOUSING		1
506 02 92-11	BELT GUARD		1
506 02 95-01	HOSE	12	1
506 02 95-03	HOSE	14	1
506 02 96-01	SPRING		1
506 02 98-11	SPAK D300 GRÅ	12	1
506 02 98-12	SPAK D350 GRÅ	14	1
506 03 00-01	PULLEY		1
506 03 06-02	BELT TENSIONER ASSY		1
506 03 32-02	SCREW		1
506 03 45-01	SPRING WASHER		1
506 03 62-01	WASHER		1
506 03 62-02	INTERLAYER		1
506 03 62-04	INTERLAYER		1
506 03 88-01	LABEL		1
506 03 95-20	KIT	D 20	1
506 03 95-22	KIT	D22.2	1
506 03 95-25	KIT	D25.4	1
506 07 07-01	SUPPORT FLANGE		1
506 07 09-01	FLANGE WASHER	D 350	1
506 13 81-09	GUIDE BAR	(D 300) 12	1
506 13 82-09	GUAED	(D 350) 14	1
506 13 95-01	WASHER		1
506 13 96-01	SCREW EHHFM		1
506 14 32-01	NUT CAP		1
506 21 21-01	WASHER		1
506 21 95-01	COMPRESSION SPRING		1
506 27 67-42	BELT	D 300	1
506 27 67-43	BELT	D 350	1
506 28 41-01	LABEL	12 DIA.22.2	1
506 28 41-02	LABEL	12 DIA.20.0	1
506 28 41-04	LABEL	12 DIA.25.4	1
506 28 41-11	LABEL	14 DIA.22.2	1
506 28 41-12	LABEL	14 DIA.20.0	1
506 28 41-14	LABEL	14 DIA.25.4	1
735 31 09-20	E-CLIP		1

**B**

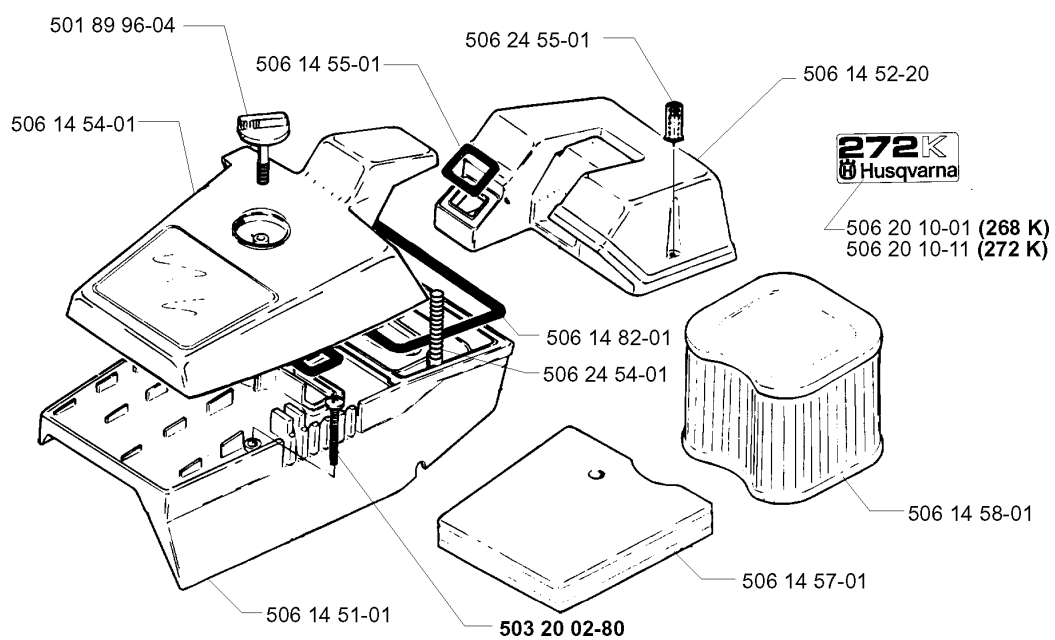


## CLUTCH

268K, 1999-09

Part No	Description	Remark	QTY KIT
501 51 48-01	NEEDLE BEARING		1
503 20 02-80	SCREW IHSCFM		1
503 22 00-01	HEXAGON NUT		1
503 74 43-01	CLUTCH SPRING		1
503 74 44-02	CLUTCH ASSY		1
506 14 50-01	CUTTER ARM		1
506 14 64-02	LABEL		1
506 14 77-01	GEAR WHEEL ASSY		1
506 14 78-03	SPACING SLEEVE		1

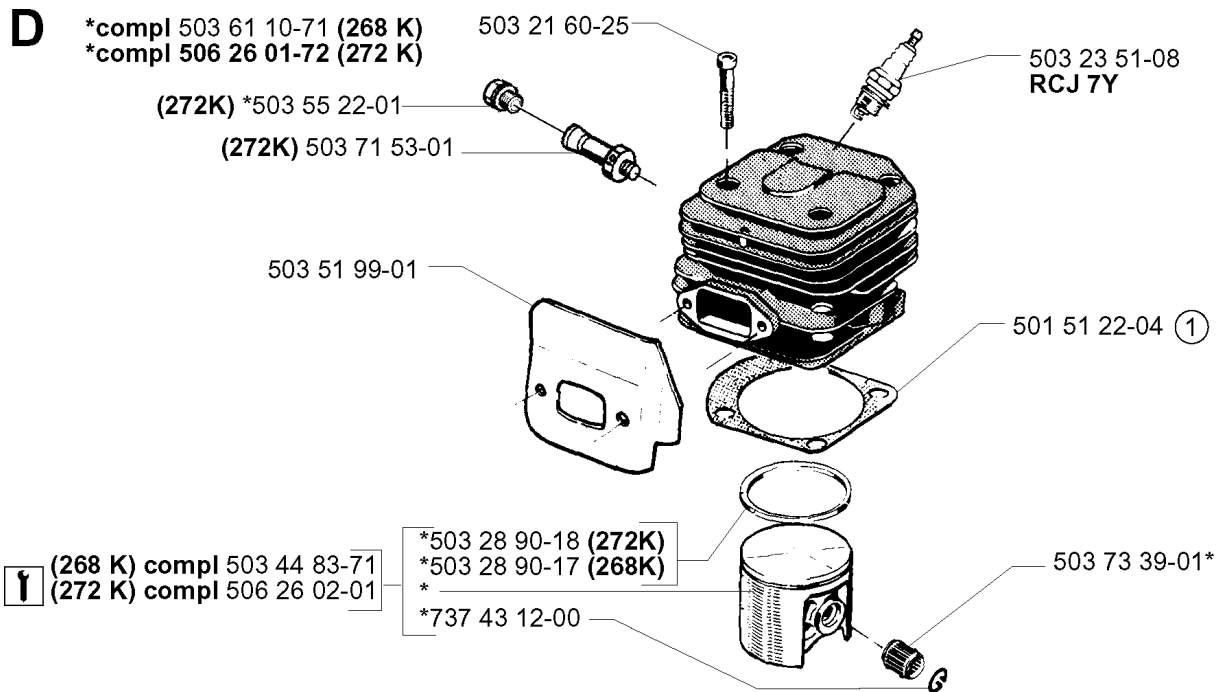
**C**



## AIR FILTER

268K, 1999-09

Part No	Description	Remark	QTY KIT
501 89 96-04	TURNING KNOB		1
503 20 02-80	SCREW IHSCFM		1
506 14 51-01	CYLINDER COVER		1
506 14 52-20	FILTER COVER		1
506 14 54-01	FILTER COVER		1
506 14 55-01	GASKET		1
506 14 57-01	PREFILTER		1
506 14 58-01	AIR FILTER		1
506 14 82-01	GASKET		1
506 20 10-01	LABEL	268 K	1
506 20 10-11	LABEL	272 K	1
506 24 54-01	SCREW STUDS		1
506 24 55-01	NUT		1



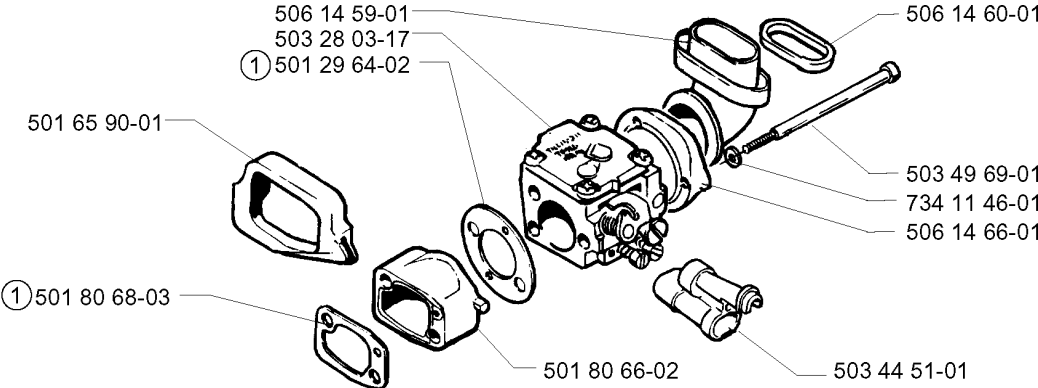


## CYLINDER PISTON

268K, 1999-09

Part No	Description	Remark	QTY KIT
501 51 22-04	GASKET		1
503 21 60-25	SCREW		1
503 23 51-08	SPARK PLUG	RCJ 7Y	1
503 28 90-17	PISTON RING	268K	1
503 28 90-18	PISTON RING	272K	1
503 44 83-71	PISTON ASSY	268 K	1
503 51 99-01	HEAT DEFLECTOR		1
503 55 22-01	PLUG	272K	1
503 61 10-71	CYLINDER ASSY	268 K	1
503 71 53-01	DECOMPRESSION VALVE	272K	1
503 73 39-01	BEARING		1
506 26 01-72	CYLINDER ASSY	272 K	1
506 26 02-01	PISTON ASSY	272 K	1
737 43 12-00	SNAP RING		1

**E**

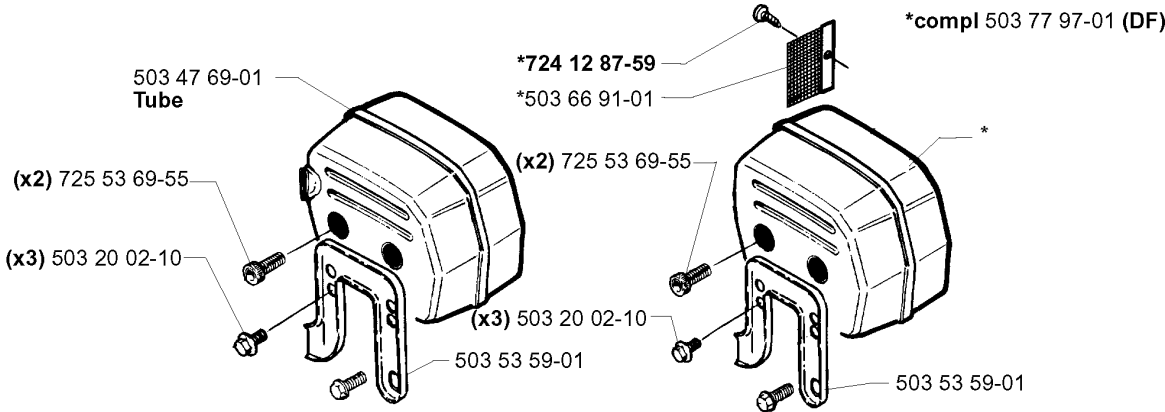


## CARBURETOR

268K, 1999-09

Part No	Description	Remark	QTY KIT
501 29 64-02	GASKET		1
501 65 90-01	SEALING COLLAR		1
501 80 66-02	MANIFOLD		1
501 80 68-03	GASKET		1
503 28 03-17	CARBURETTOR		1
503 44 51-01	GUIDE BUSHING		1
503 49 69-01	SCREW		1
506 14 59-01	INLET PIPE		1
506 14 60-01	GASKET		1
506 14 66-01	FLANGE		1
734 11 46-01	WASHER		1


**F**

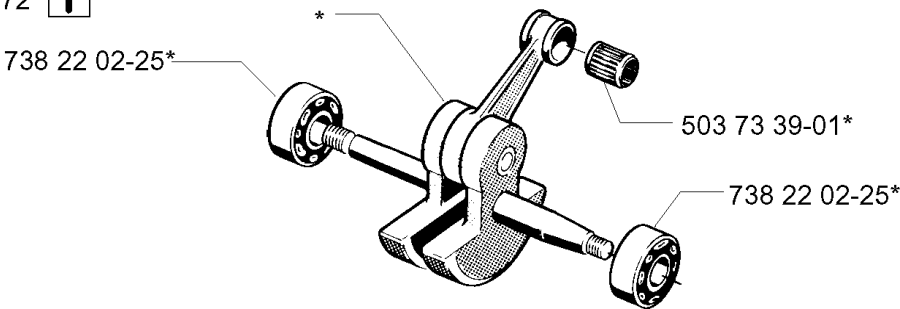


## MUFFLER

268K, 1999-09

Part No	Description	Remark	QTY KIT
503 20 02-10	SCREW IHSCFM		3
503 20 02-10	SCREW IHSCFM		3
503 47 69-01	MUFFLER ASSY	TUBE	1
503 53 59-01	BRACKET		1
503 53 59-01	BRACKET		1
503 66 91-01	SPARK ARRESTER SCREEN		1
503 77 97-01	MUFFLER	DF	1
724 12 87-59	SCREW CRPANM		1
725 53 69-55	SCREW		2
725 53 69-55	SCREW		2

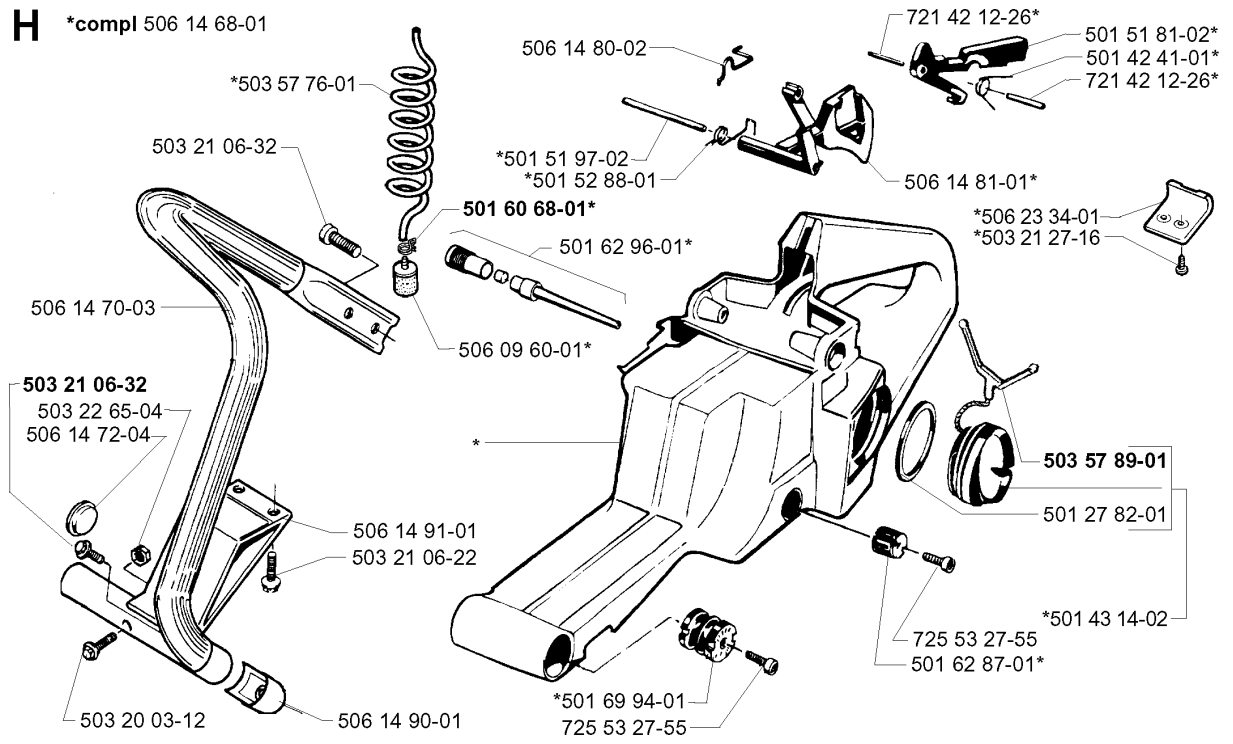
**G** \*compl 503 61 33-72 



CRANKSHAFT

268K, 1999-09

Part No	Description	Remark	QTY KIT
503 61 33-72	CRANKSHAFT ASSY		1
503 73 39-01	BEARING		1
738 22 02-25	BALL BEARING		1
738 22 02-25	BALL BEARING		1





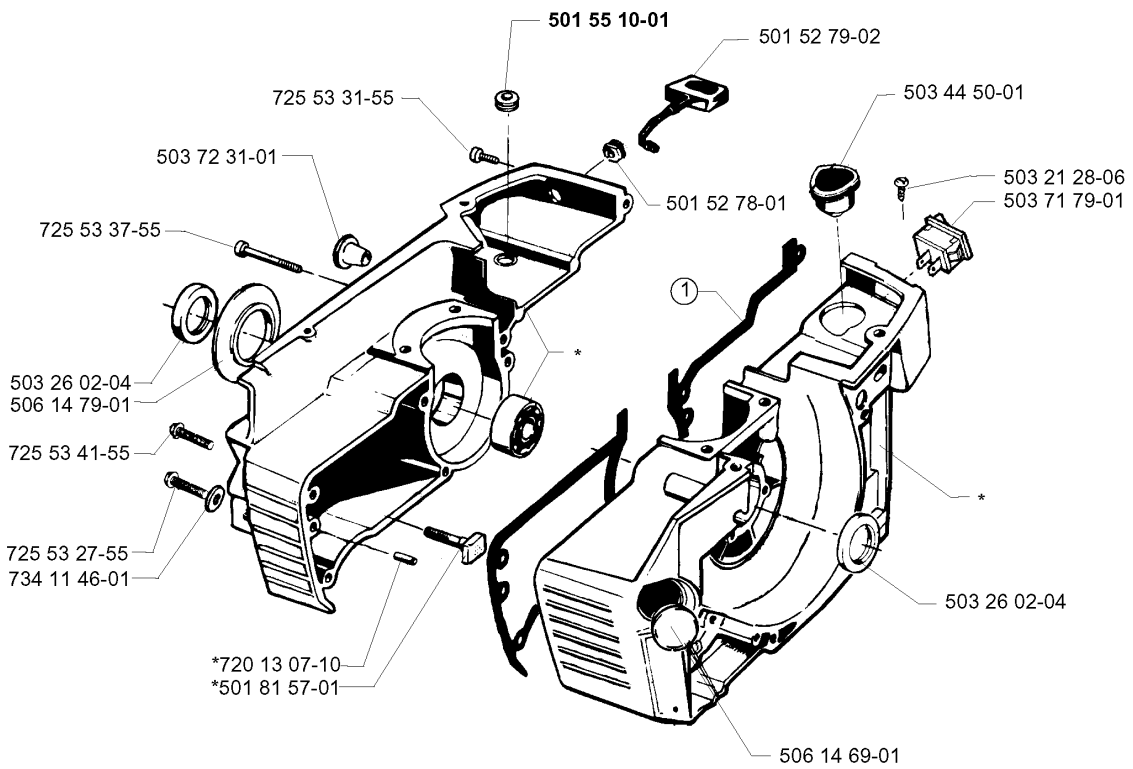
## FUEL TANK &amp; HANDLE

268K, 1999-09

Part No	Description	Remark	QTY KIT
501 27 82-01	GASKET		1
501 42 41-01	SPRING		1
501 43 14-02	TANK CAP ASSY		1
501 51 81-02	THROTTLE LOCKOUT		1
501 51 97-02	ROD		1
501 52 88-01	RECOIL SPRING		1
501 60 68-01	HOSE CLAMP		1
501 62 87-01	ANTIVIBRATION ELEMENT		1
501 62 96-01	TANK VENT		1
501 69 94-01	ANTIVIBRATION ELEMENT		1
503 20 03-12	SCREW IHSCFM		1
503 21 06-22	SCREW IHST		1
503 21 06-32	SCREW IHST		1
503 21 06-32	SCREW IHST		1
503 21 27-16	SCREW CRPANT		1
503 22 65-04	SQUARE NUT		1
503 57 76-01	FUEL HOSE		1
503 57 89-01	HOLDER		1
506 09 60-01	FUEL FILTER		1
506 14 68-01	TANK W/VENT WIRE		1
506 14 70-03	FRONT HANDLE		1
506 14 72-04	PLUG		1
506 14 80-02	THROTTLE WIRE		1
506 14 81-01	THROTTLE TRIGGER		1
506 14 90-01	SUPPORT		1
506 14 91-01	GROUND SUPPORT		1
506 23 34-01	SUPPORT		1
721 42 12-26	SPRING PIN		1
721 42 12-26	SPRING PIN		1
725 53 27-55	SCREW IHSCM		1
725 53 27-55	SCREW IHSCM		1

**K**

\*compl 506 14 61-01

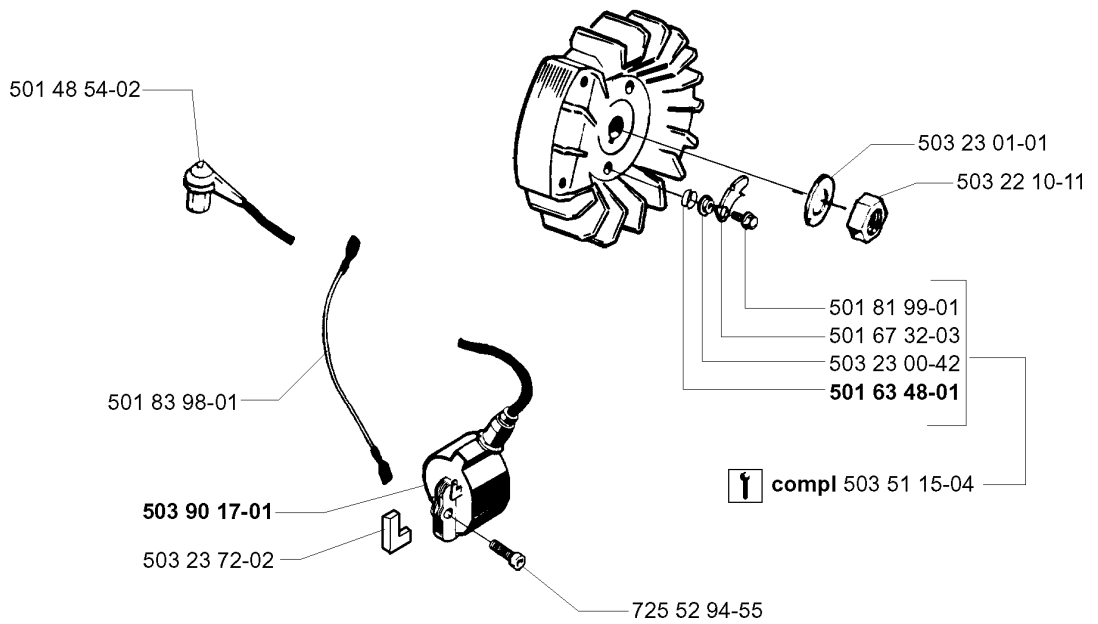


## CRANKCASE

268K, 1999-09

Part No	Description	Remark	QTY KIT
501 52 78-01	GROMMET		1
501 52 79-02	CHOKE CONTROL		1
501 55 10-01	SEALING		1
501 81 57-01	BAR BOLT		1
503 21 28-06	SCREW CCRPANT		1
503 26 02-04	SEALING RING		1
503 26 02-04	SEALING RING		1
503 44 50-01	BELLOWS		1
503 71 79-01	STOP SWITCH		1
503 72 31-01	BUSHING		1
506 14 61-01	CRANKCASE ASSY		1
506 14 69-01	PLUG		1
506 14 79-01	SEALING HOLDER		1
720 13 07-10	PARALLEL PIN		1
725 53 27-55	SCREW IHSCM		1
725 53 31-55	SCREW IHSCM		1
725 53 37-55	SCREW IHSCM		1
725 53 41-55	SCREW IHSCM		1
734 11 46-01	WASHER		1

L

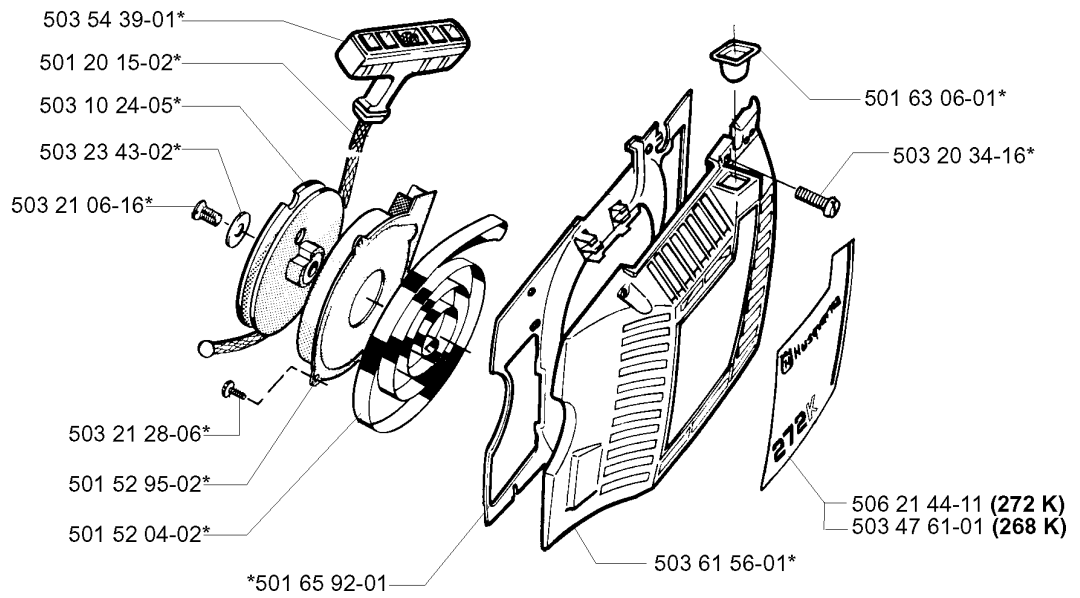


## IGNITION SYSTEM

268K, 1999-09

Part No	Description	Remark	QTY KIT
501 48 54-02	SPARK PLUG CAP		1
501 63 48-01	SPRING		1
501 67 32-03	PAWL		1
501 81 99-01	SCREW		1
501 83 98-01	CABLE		1
503 22 10-11	HEXAGON NUT		1
503 23 00-42	WASHER		1
503 23 01-01	WASHER		1
503 23 72-02	INSULATING CAP		1
503 51 15-04	FLYWHEEL ASSY		1
503 90 17-01	ELECTRONIC MODULE		1
725 52 94-55	SCREW		1

**M** \*compl 503 61 55-71



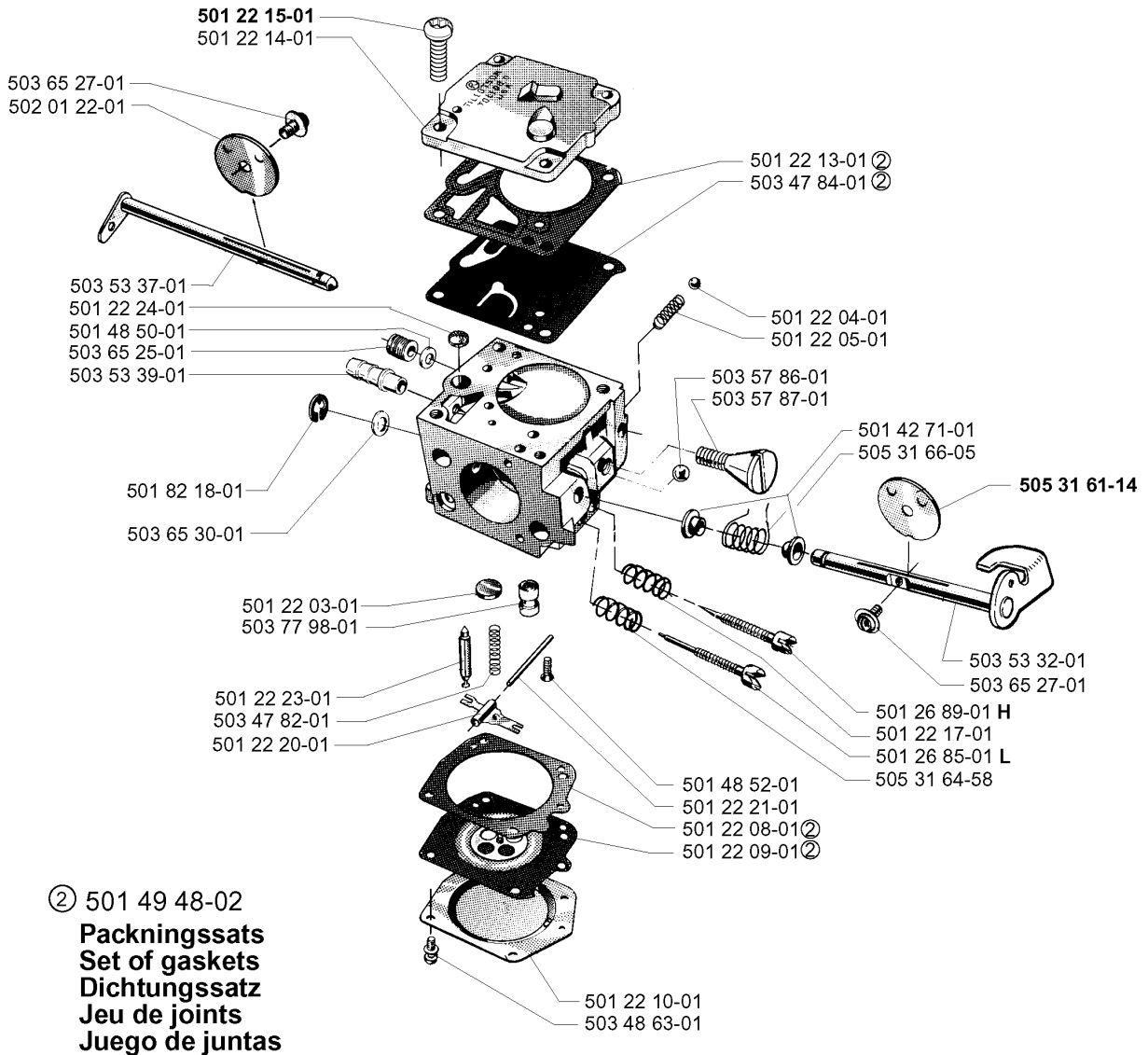
## STARTER

268K, 1999-09

Part No	Description	Remark	QTY KIT
501 20 15-02	STARTER CORD		1
501 52 04-02	RECOIL SPRING		1
501 52 95-02	GUARD RING		1
501 63 06-01	SLEEVE		1
501 65 92-01	AIR CONDUCTOR		1
503 10 24-05	STARTER PULLEY		1
503 20 34-16	SCREW CCRPANMO		1
503 21 06-16	SCREW IHSCT		1
503 21 28-06	SCREW CCRPANT		1
503 23 43-02	WASHER		1
503 47 61-01	DECAL	268 K	1
503 54 39-01	STARTER HANDLE		1
503 61 55-71	STARTER ASSY		1
503 61 56-01	STARTER HOUSING		1
506 21 44-11	LABEL	272 K	1

**N** compl 503 28 03-17

**Tillotson HS 255B**



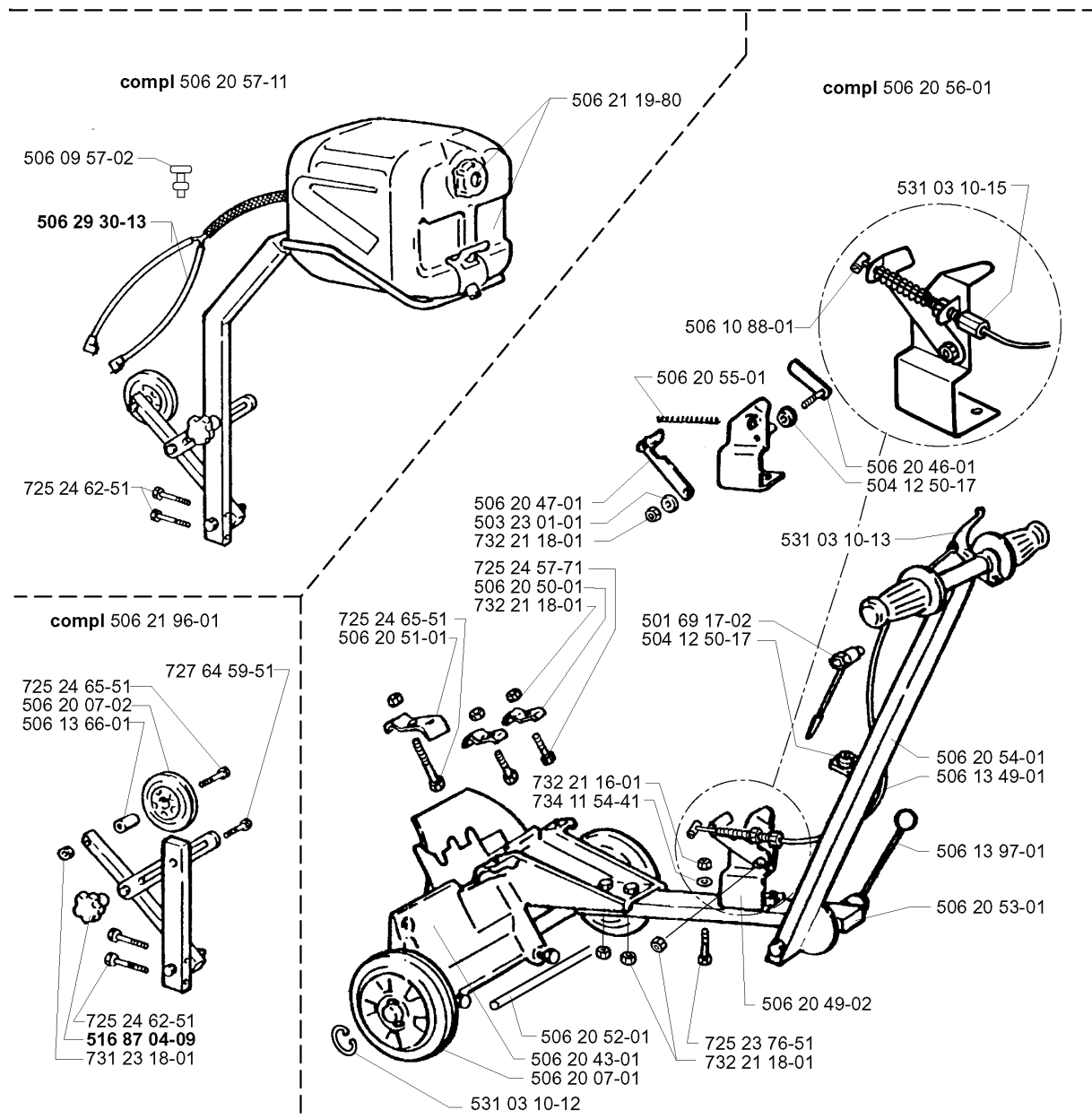
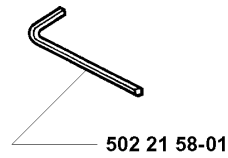
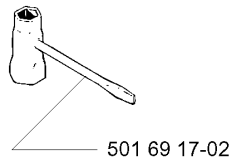


## CARBURETOR DETAILS

268K, 1999-09

Part No	Description	Remark	QTY KIT
501 22 03-01	PLUG		1
501 22 04-01	BALL		1
501 22 05-01	SPRING		1
501 22 08-01	GASKET	501 49 48-02 SET OF GASKETS	1
501 22 09-01	DIAPHRAGM	501 49 48-02 SET OF GASKETS	1
501 22 10-01	COVER		1
501 22 13-01	GASKET	501 49 48-02 SET OF GASKETS	1
501 22 14-01	COVER		1
501 22 15-01	SCREW		1
501 22 17-01	SPRING		1
501 22 20-01	LEVER		1
501 22 21-01	PIN		1
501 22 23-01	NEEDLE		1
501 22 24-01	SCREEN		1
501 26 85-01	SCREW	L	1
501 26 89-01	SCREW	H	1
501 42 71-01	SLEEVE		1
501 48 50-01	GASKET		1
501 48 52-01	SCREW		1
501 82 18-01	THROTTLE SH."E"RING		1
502 01 22-01	VALVE		1
503 28 03-17	CARBURETTOR		1
503 47 82-01	SPRING		1
503 47 84-01	DIAPHRAGM	501 49 48-02 SET OF GASKETS	1
503 48 63-01	SCREW		1
503 53 32-01	THROTTLE SHAFT		1
503 53 37-01	CHOKE SHAFT ASSY		1
503 53 39-01	TUBE CONNECTOR		1
503 57 86-01	BALL		1
503 57 87-01	IDLE SPEED SCREW		1
503 65 25-01	GOVERNOR		1
503 65 27-01	SCREW SHUTTER		1
503 65 27-01	SCREW SHUTTER		1
503 65 30-01	WASHER		1
503 77 98-01	CHECKVALVE ASSY		1
505 31 61-14	THROTTLE FLAP		1
505 31 64-58	IDLE MIXTURE SPRING		1
505 31 66-05	THROTTLE SH. SPRING		1

**P** Tillbehör  
 Accessories  
 Zubehöre  
 Accessoires  
 Accesorios



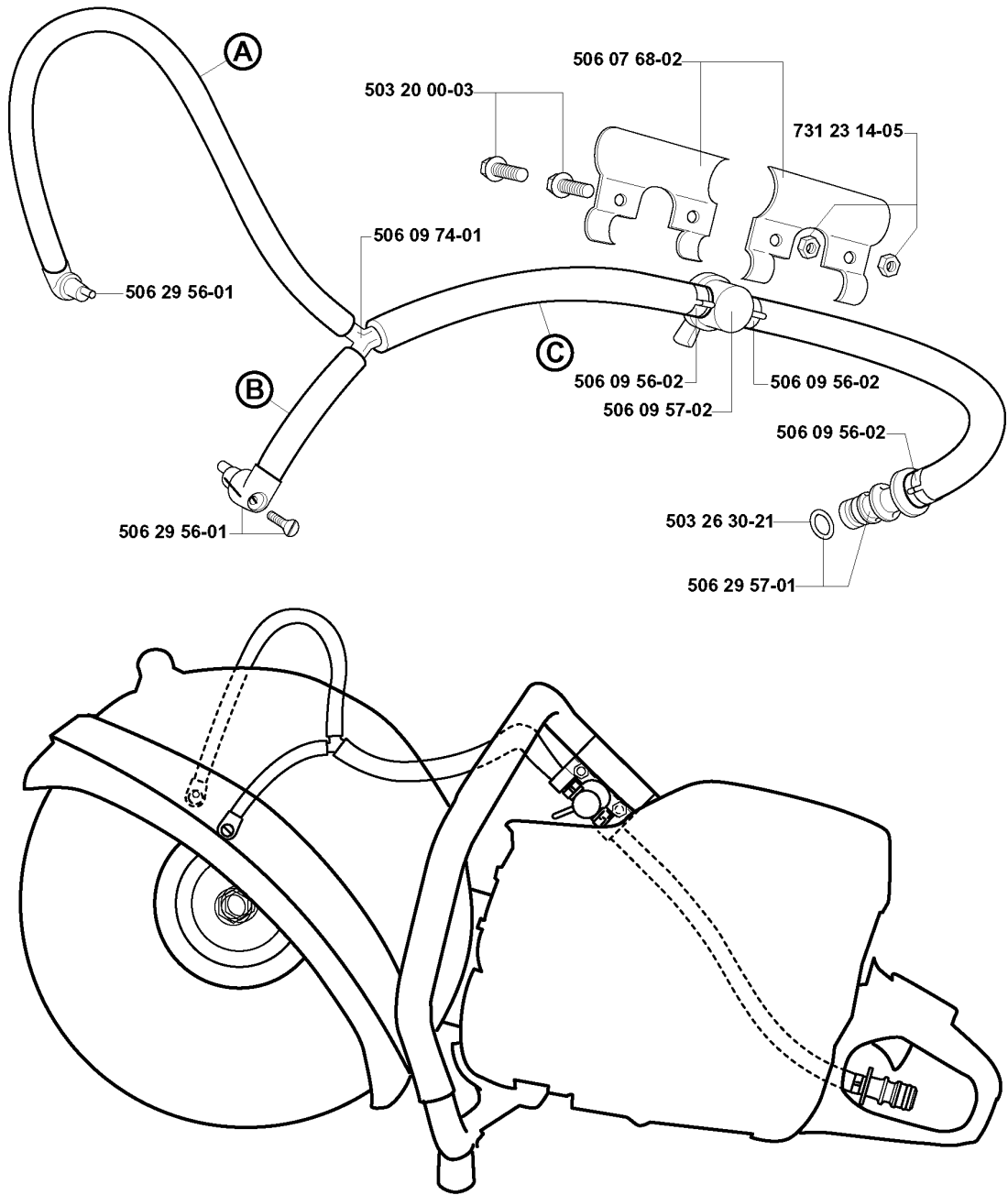
## ACCESSORIES

268K, 1999-09

Part No	Description	Remark	QTY KIT
501 69 17-02	COMBINATION WRENCH		1
501 69 17-02	COMBINATION WRENCH		1
502 21 58-01	WRENCH		1
503 23 01-01	WASHER		1
504 12 50-17	ANTIVIBRATION ELEMENT		1
504 12 50-17	ANTIVIBRATION ELEMENT		1
506 09 57-02	TAP		1
506 10 88-01	CABLE RETAINER		1
506 13 49-01	THROTTLE WIRE CPL		1
506 13 66-01	SPACING SLEEVE		1
506 13 97-01	HANDLE		1
506 20 07-01	WHEEL		1
506 20 07-02	WHEEL		1
506 20 43-01	PLATE		1
506 20 46-01	CLAMP		1
506 20 47-01	LEVER		1
506 20 49-02	BRACKET		1
506 20 50-01	BRACKET		1
506 20 51-01	BRACKET		1
506 20 52-01	SHAFT		1
506 20 53-01	HANDLE		1
506 20 54-01	HANDLE		1
506 20 55-01	SPRING		1
506 20 56-01	CUTTING TROLLEY		1
506 20 57-11	KIT		1
506 21 19-80	TANK		1
506 21 96-01	DEPTH GAUGE		1
506 29 30-13	HOSE KIT		1
516 87 04-09	KNOB		1
531 03 10-12	WASHER		1
531 03 10-13	THROTTLE TRIGGER		1
531 03 10-15	ADJUSTER		1
725 23 76-51	SCREW EHHM		1
725 24 57-71	SCREW EHHM		1
725 24 62-51	SCREW EHHM		1
725 24 62-51	SCREW EHHM		1
725 24 65-51	SCREW EHHM		1
725 24 65-51	SCREW EHHM		1
727 64 59-51	SCREW		1
731 23 18-01	HEXAGON NUT		1
732 21 16-01	LOCK NUT		1
732 21 18-01	LOCK NUT		1
732 21 18-01	LOCK NUT		1
732 21 18-01	LOCK NUT		1
734 11 54-41	WASHER		1

**R**

**Wet cutting kit  
506 29 30-13**



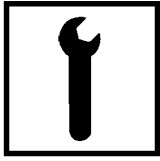
Husqvarna Power Cutter		<b>A</b>	<b>B</b>	<b>C</b>
268/272K	12"	260	50	370
268/272K	14"	310	50	370
371K	12"	180	50	290
371K	14"	230	50	290
3120K	14"	230	50	340
3120K	16"	290	50	340

## ACCESSORIES

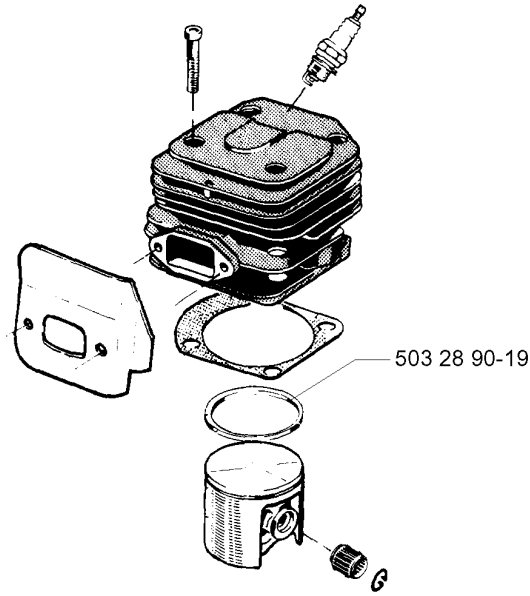
268K, 1999-09

Part No	Description	Remark	QTY KIT
503 20 00-03	SCREW		1
503 26 30-21	O-RING		1
506 07 68-02	BRACKET		1
506 09 56-02	HOSE CLAMP		1
506 09 56-02	HOSE CLAMP		1
506 09 56-02	HOSE CLAMP		1
506 09 57-02	TAP		1
506 09 74-01	Y-COUPLING		1
506 29 30-13	HOSE KIT	WET CUTTING KIT	1
506 29 56-01	NIPPLE		1
506 29 56-01	NIPPLE		1
506 29 57-01	NIPPLE		1
731 23 14-05	HEXAGON NUT		1

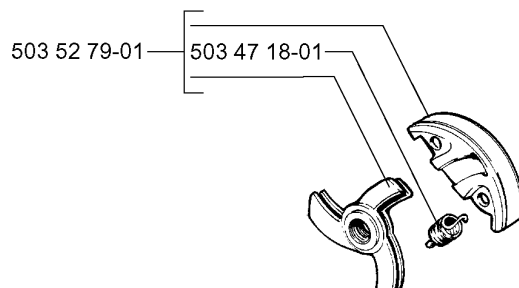
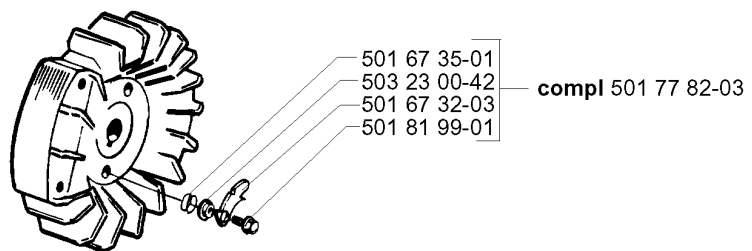
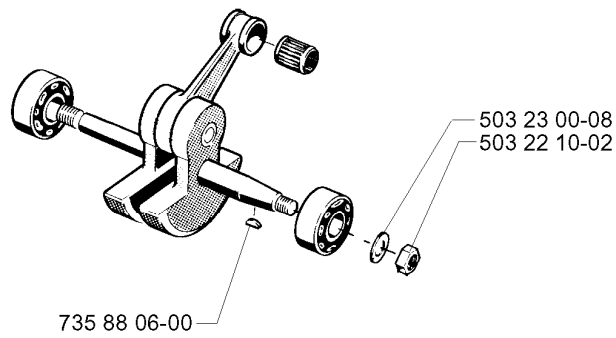
S



**Up to 5170103  
(1995)**



**compl 501 52 84-04**



**Up to 7460000  
(1997)**

## SERVICE UPDATES

268K, 1999-09

Part No	Description	Remark	QTY KIT
501 52 84-04	CRANKSHAFT		1
501 67 32-03	PAWL		1
501 67 35-01	SPRING		1
501 77 82-03	FLYWHEEL ASSY		1
501 81 99-01	SCREW		1
503 22 10-02	HEXAGON NUT		1
503 23 00-08	WASHER		1
503 23 00-42	WASHER		1
503 28 90-19	PISTON RING		1
503 47 18-01	CLUTCH SPRING		1
503 52 79-01	CLUTCH ASSY		1
735 88 06-00	WOODRUFF KEY		1