

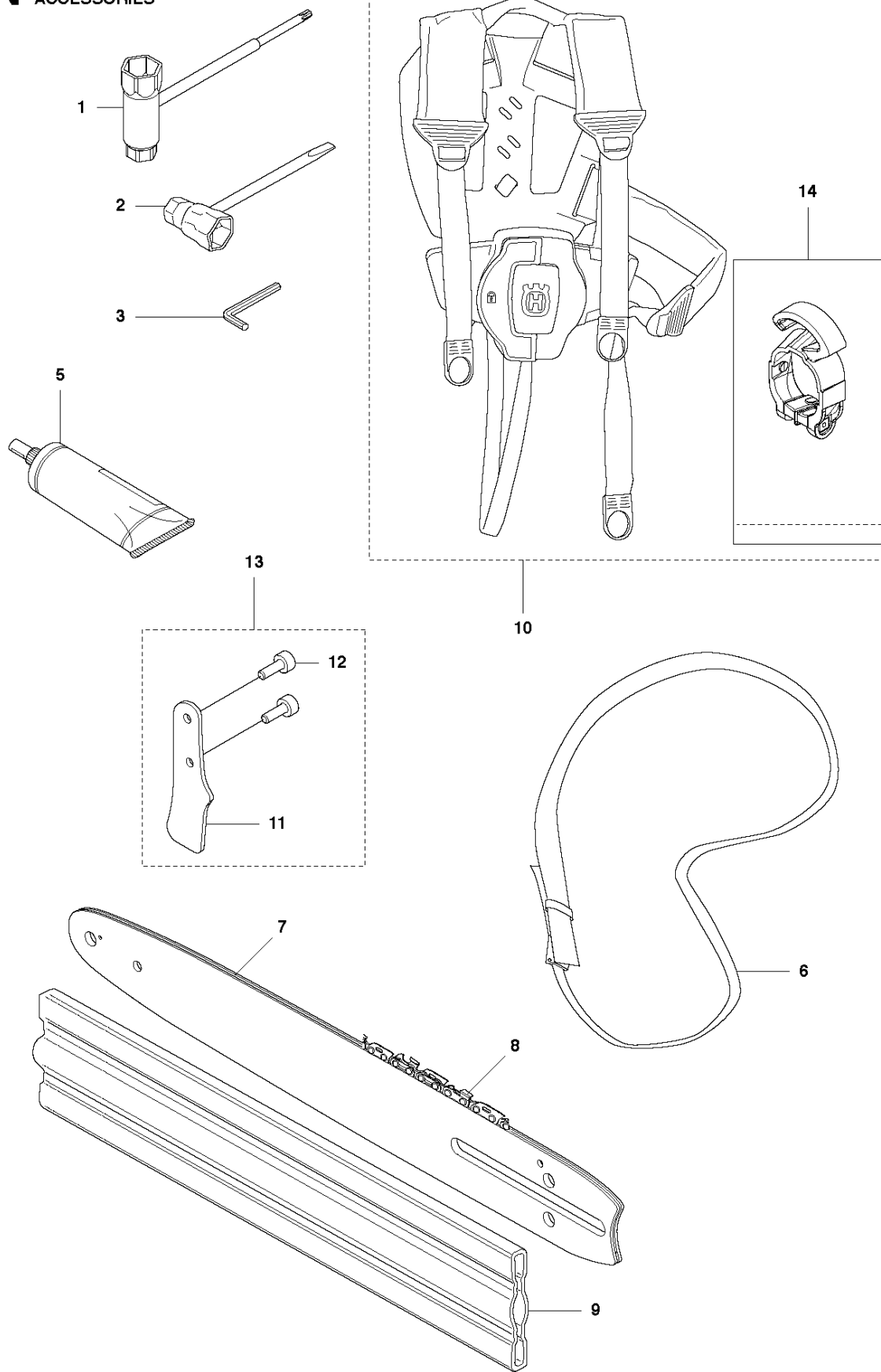


SPARE PARTS LIST

POLE PRUNER/POLE SAWS

525 PT5S

N 525PT5S
ACCESSORIES

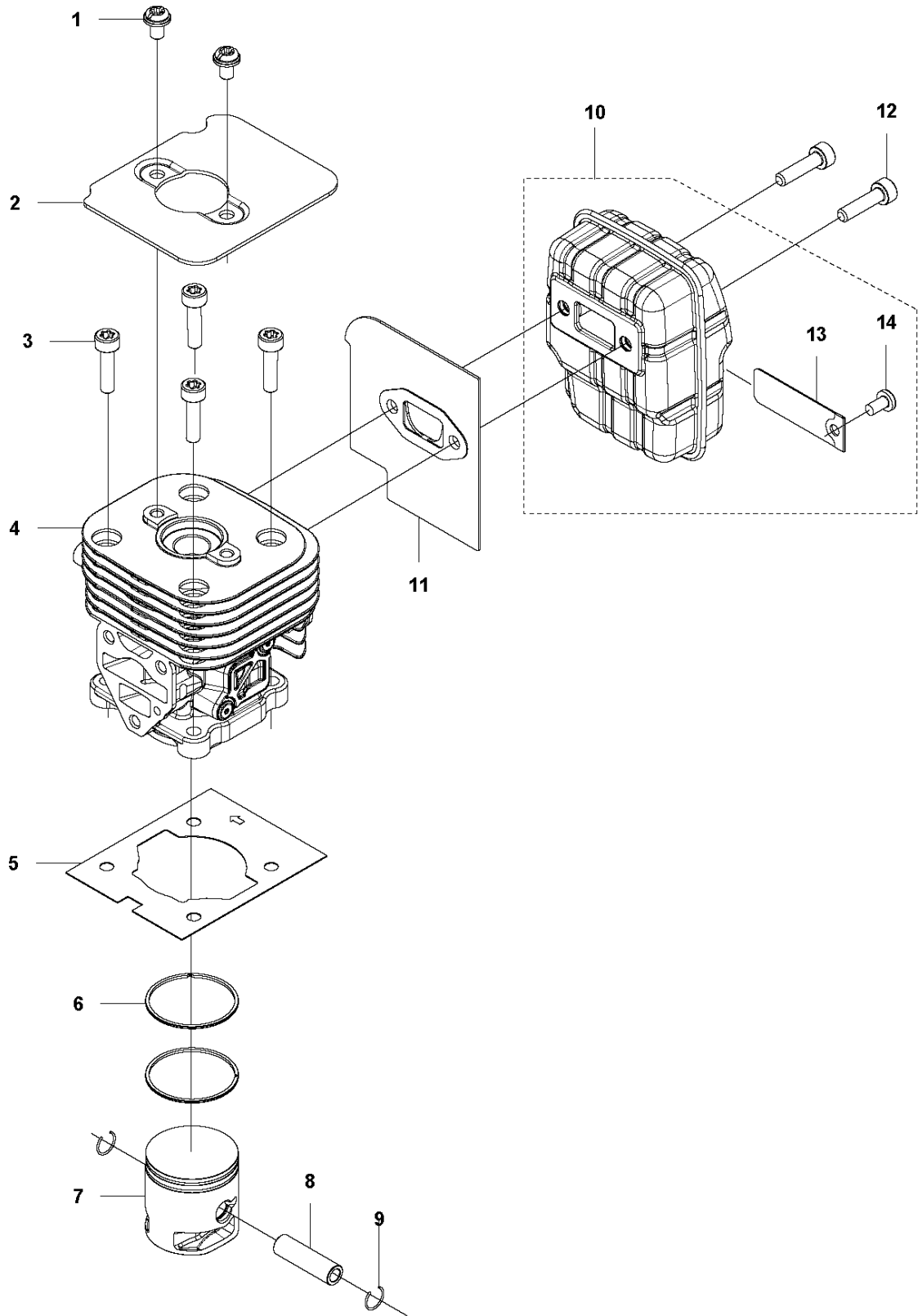


ACCESSORIES

525 PT5S

Ref	Part No	Description	Remark	QTY	KIT
1	575 73 82-02	COMBINATION WRENCH		1	
2	501 69 17-01	COMBINATION WRENCH		1	
3	503 55 86-01	SPANNER		1	
5	579 06 49-01	GREASE	100 g	1	
6	537 21 62-03	HARNESS		1	
7	575 84 22-58	BAR	"10"" , 1/4"" - 1,3 mm"	1	
7	575 84 22-64	BAR	"12"" , 1/4"" - 1,3 mm"	1	
7	585 82 91-44	BAR	"12"" 3/8"" mini 1,3mm"	1	
8	501 84 40-58	SAW CHAIN	"10"" , 1/4"" - 1,3mm. 58DL"	1	
8	501 84 40-64	SAW CHAIN	"12"" , 1/4"" - 1,3 mm. 64DL"	1	
8	591 10 84-44	SAW CHAIN	"12"" 3/8"" mini 1,3" (US only)	1	
9	537 12 99-01	BAR COVER		1	
10	578 44 99-01	HARNESS	Balance flex	1	
11	574 83 01-01	SHEET		1	13
12	574 35 35-05	SCREW ITXSCM		2	13
13	588 19 77-01	HOOK	Kit	1	
14	579 83 41-01	ACCESSORY BAG	To be used with Harness 578 44 99-01	1	

K 525PT5S
CYLINDER PISTON & MUFFLER

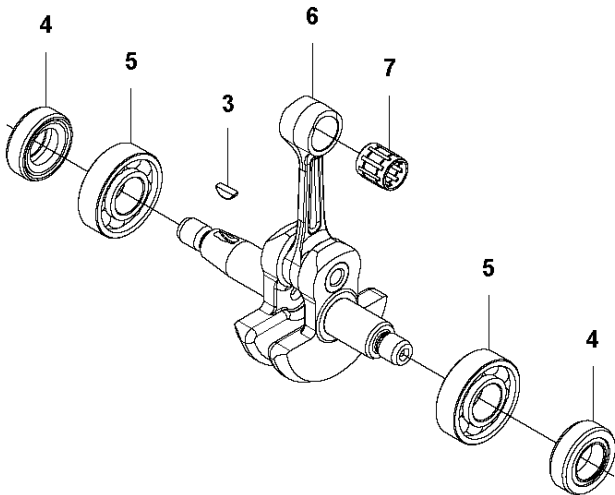
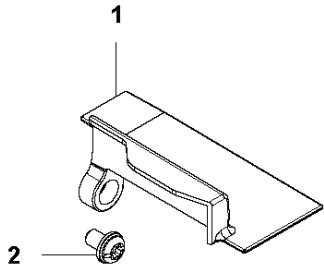


CYLINDER, PISTON & MUFFLER

525 PT5S

Ref	Part No	Description	Remark	QTY	KIT
1	544 25 68-01	SCREW		2	
2	578 78 53-01	PLATE		1	
3	504 11 43-01	SCREW		4	
4	577 97 90-01	CYLINDER		1	
5	576 39 87-02	GASKET		1	
6	506 61 81-01	RING		2	
7	577 91 74-01	PISTON		1	
8	505 04 07-01	PIN		1	
9	505 04 52-01	RING		2	
10	585 24 86-01	MUFFLER		1	
10	580 52 36-01	MUFFLER ASSY	USA	1	
10	585 03 29-01	MUFFLER ASSY	Australia / New Zealand	1	
11	578 40 81-01	GASKET		1	
12	504 11 43-01	SCREW		2	
13	580 51 44-01	SPARK ARRESTER		1	10
14	729 57 74-05	SCREW CRPANT		1	10

L 525PT5S
CRANKSHAFT

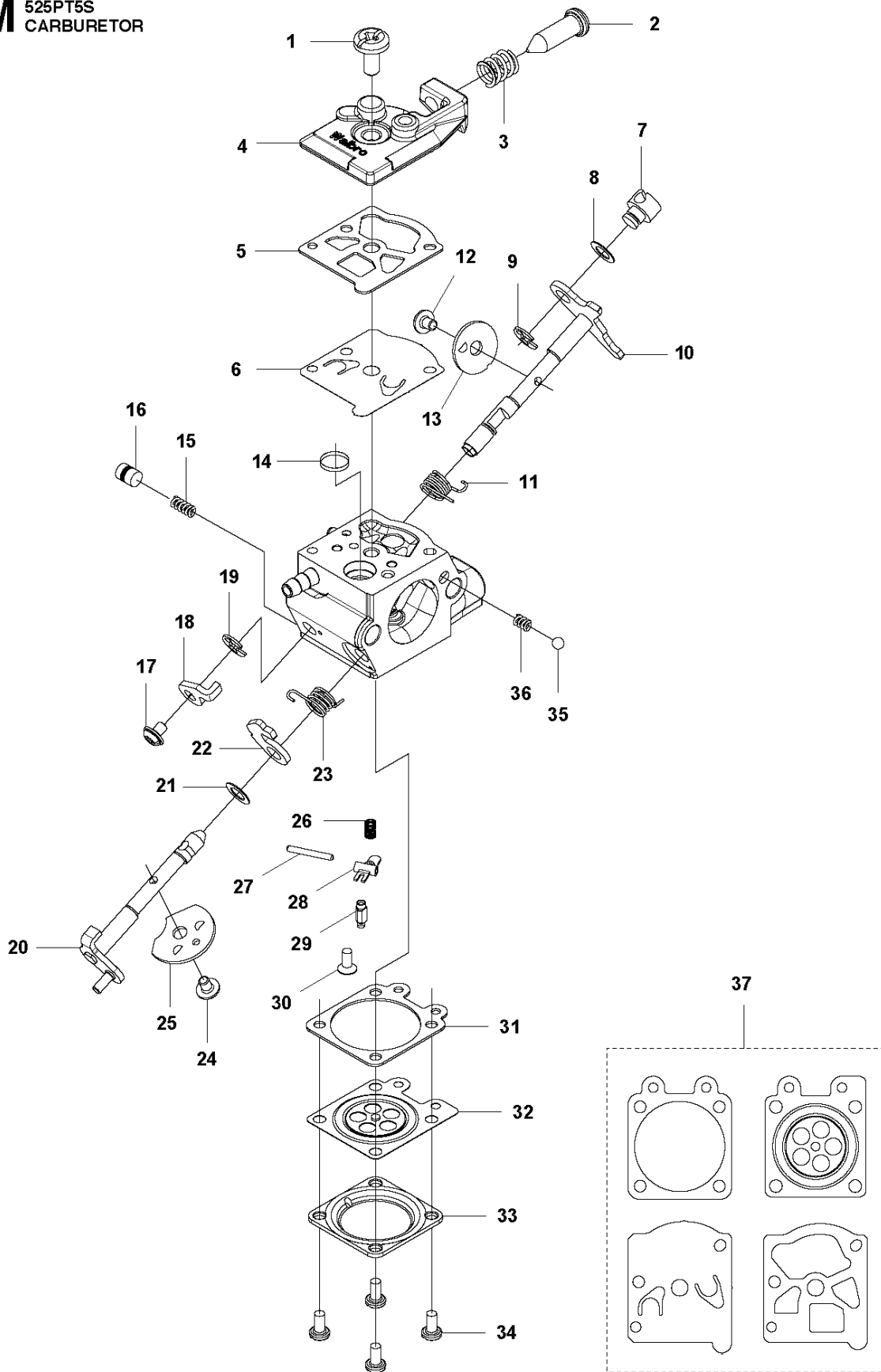


CRANKSHAFT

525 PT5S

Ref	Part No	Description	Remark	QTY KIT
1	576 40 46-01	MUFFLER		1
2	544 25 68-01	SCREW		1
3	506 68 94-01	KEY		1
4	504 12 15-01	SEALING		2
5	506 61 03-01	BEARING		2
6	579 22 32-01	CRANKSHAFT		1
7	576 40 27-01	BEARING		1

M 525PT5S
CARBURETOR

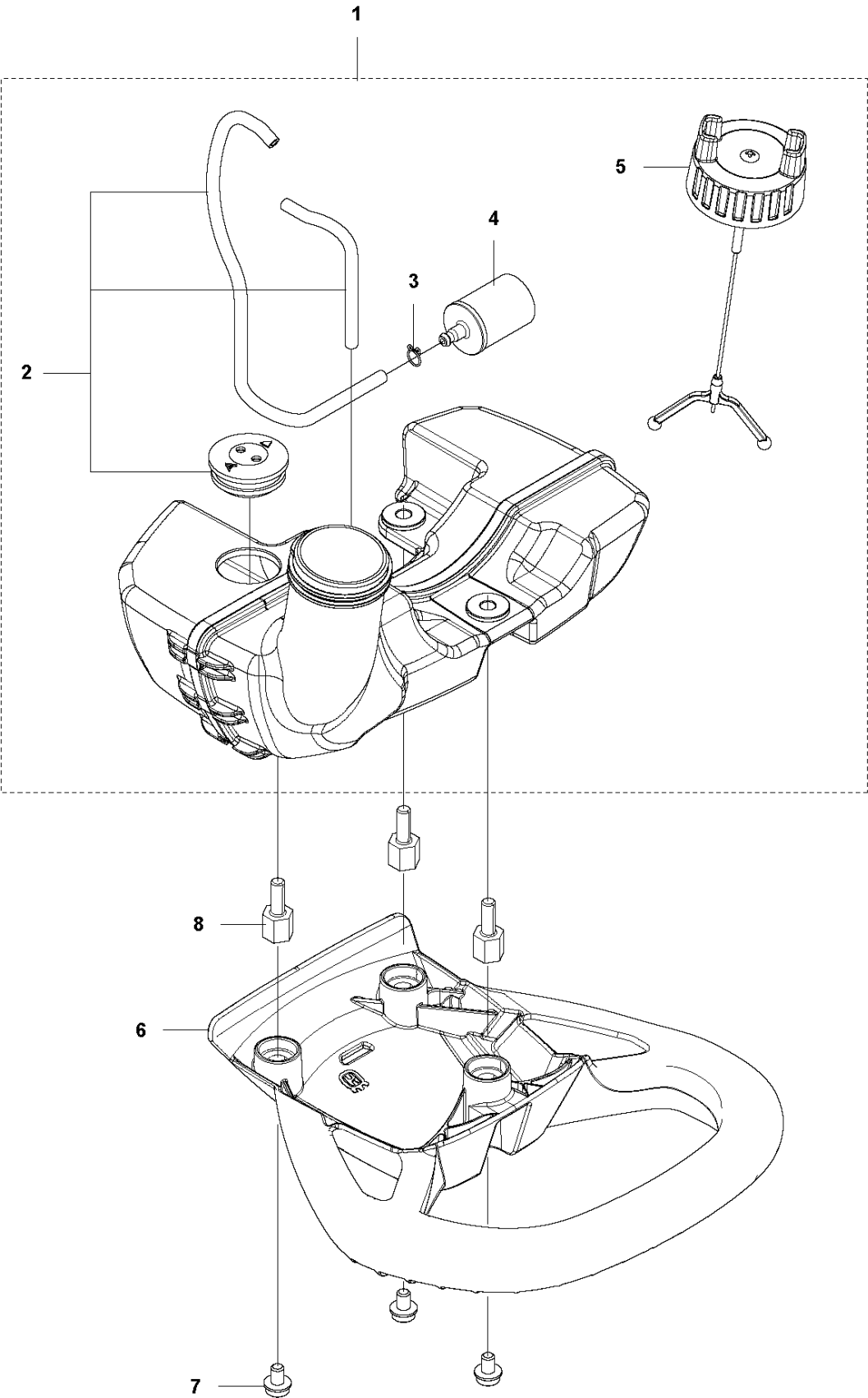


CARBURETOR

525 PT5S

Ref	Part No	Description	Remark	QTY KIT
1	520 97 63-01	SCREW		1
2	577 81 57-01	SCREW		1
3	513 59 32-01	SPRING		1
4	579 19 06-01	COVER		1
5	520 95 48-01	GASKET		1
6	502 21 36-01	DIAPHRAGM PUMP		1
7	513 40 08-01	SWIVEL		1
8	516 52 42-01	WASHER		1
9	506 73 86-01	RETAINER RING		1
10	579 19 07-01	SHAFT		1
11	577 81 55-01	SPRING		1
12	520 75 98-01	SCREW		1
13	520 97 86-01	VALVE		1
14	520 95 70-01	SCREEN		1
15	505 05 79-01	SPRING		1
16	584 90 12-01	PISTON ASSY		1
17	520 75 98-01	SCREW		1
18	579 19 08-01	LEVER		1
19	505 05 65-01	RING		1
20	579 19 10-01	SHAFT		1
21	516 52 42-01	WASHER		1
22	584 90 13-01	LEVER		1
23	579 19 11-01	SPRING		1
24	520 75 98-01	SCREW		1
25	581 15 49-01	VALVE		1
26	578 89 54-01	SPRING		1
27	520 97 74-01	PIN		1
28	577 80 72-01	LEVER		1
29	521 08 54-01	VALVE.INLET		1
30	577 80 71-01	SCREW		1
31	516 97 21-01	GASKET		1
32	577 80 70-01	DIAPHRAGM		1
33	514 18 92-01	COVER		1
34	520 97 88-01	SCREW ASSY		4
35	514 24 26-01	BALL		1
36	514 24 33-01	SPRING.CHOKE		1
37	580 68 48-01	GASKET KIT	Coomopes by item 5, 6, 31 and 32	1

H 525PT5S
FUEL TANK

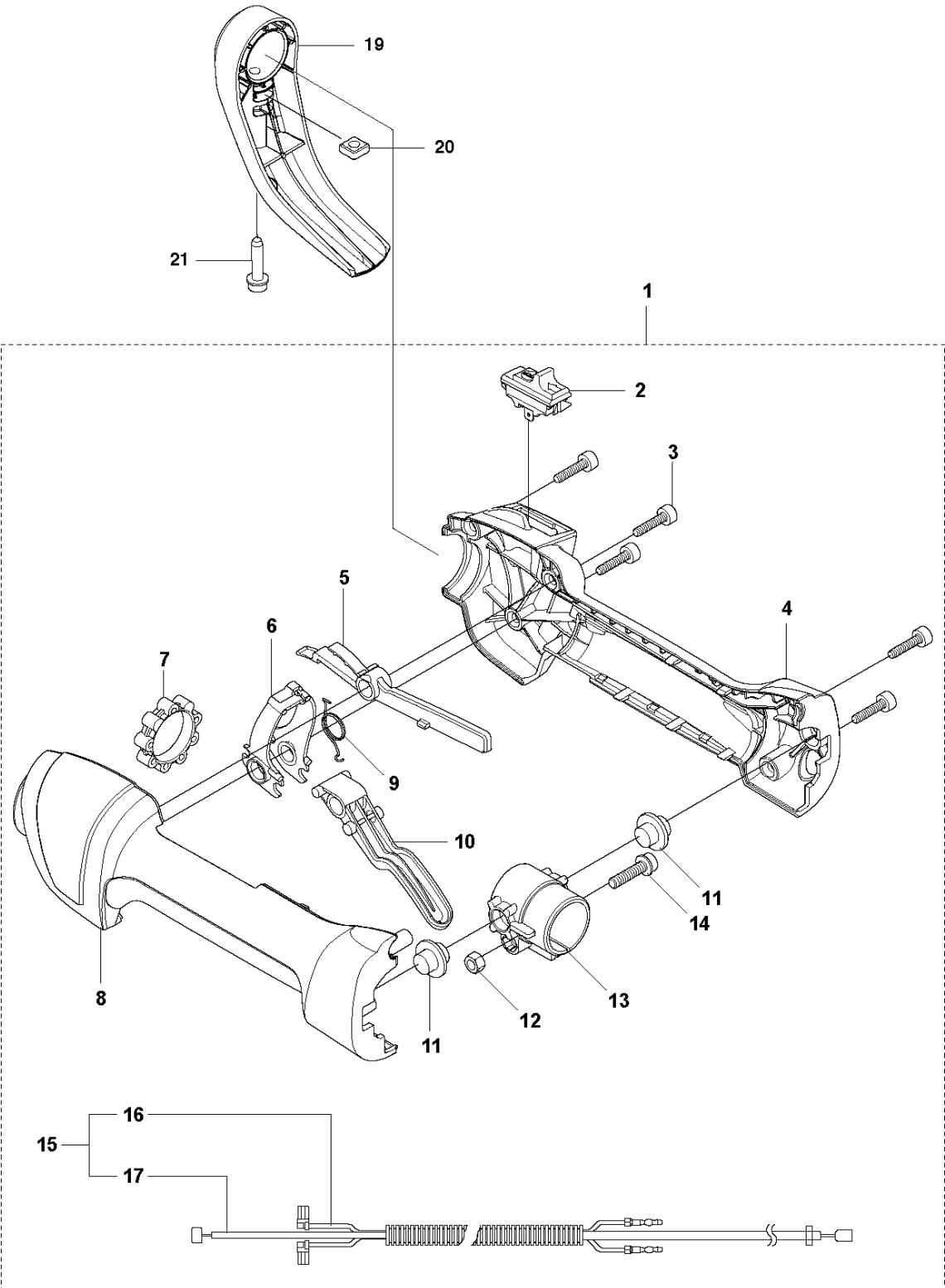


FUEL TANK

525 PT5S

Ref	Part No	Description	Remark	QTY	KIT
1	576 40 51-01	FUEL TANK		1	
1	576 40 51-02	FUEL TANK	Australia / New Zealand	1	
2	579 21 03-02	HOSE ASSY		1	1
2	577 50 99-03	PIPE	Australia / New Zealand	1	
3	506 70 70-01	CLIP		1	1
4	503 44 32-01	FUEL FILTER		1	1
5	579 64 57-03	TANK CAP		1	1
6	587 36 59-01	BUMPER		1	
7	525 75 51-08	SCREW ITXSCFM		3	
8	587 61 56-01	STUD SCREW		3	

C 525PT5S
THROTTLE CONTROLS

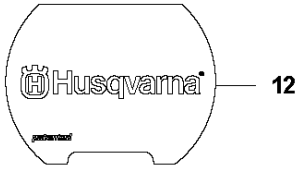
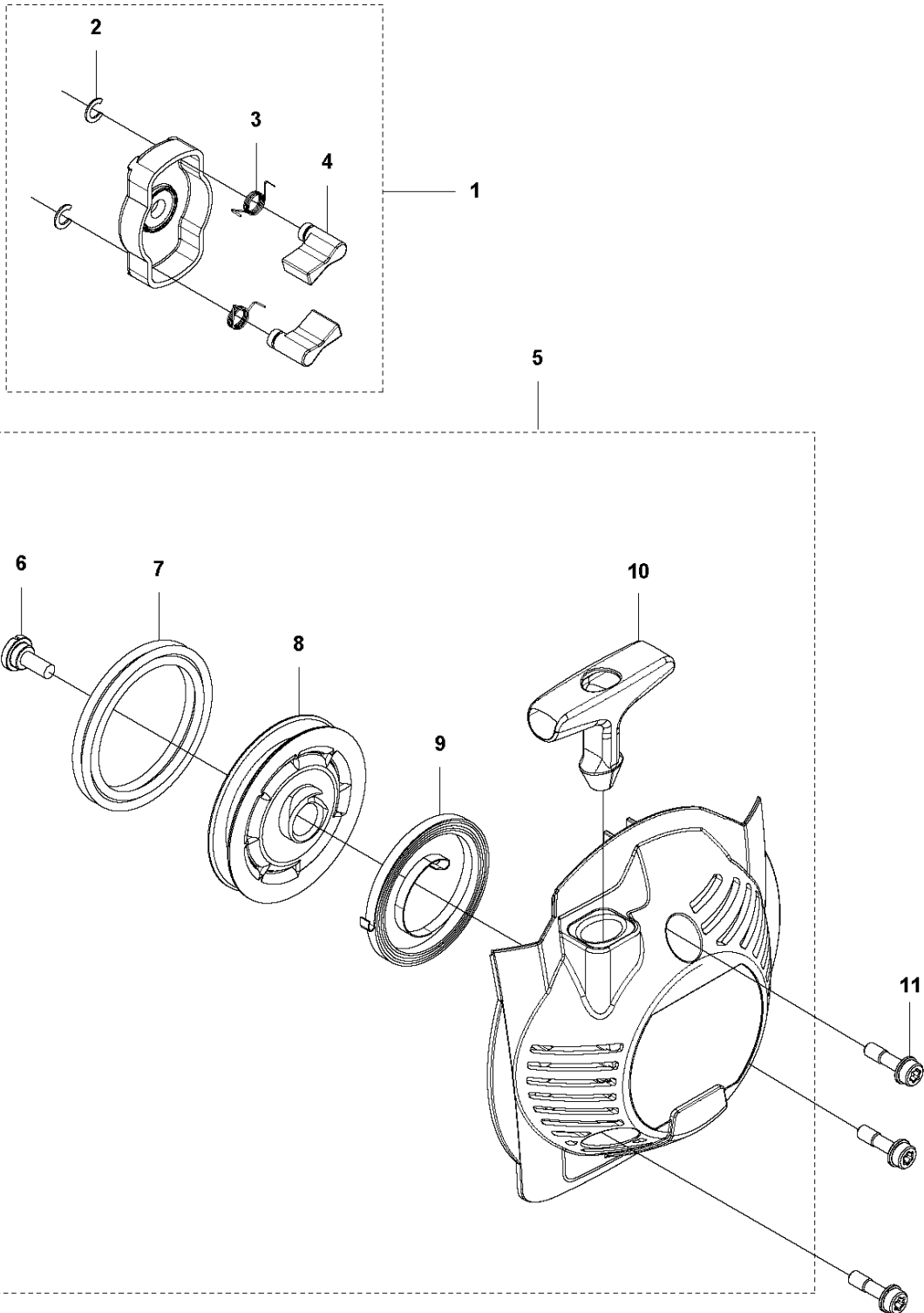


THROTTLE CONTROLS

525 PT5S

Ref	Part No	Description	Remark	QTY	KIT
1	578 27 95-01	THROTTLE CONTROL	L, LS, LST, RJX	1	
1	578 27 95-02	THROTTLE CONTROL	LK, RJD, (LST Australia)	1	
2	537 41 90-01	SWITCH		1	1
3	575 96 05-01	SCREW IHSC		5	1
4	544 23 84-01	HANDLE HALF	L, LS, LST, RJX	1	1
4	544 10 02-02	HANDLE HALF	LK, RJD, (LST Australia)	1	1
5	503 87 80-01	THROTTLE LOCKOUT		1	1
6	503 91 81-01	THROTTLE LEVER		1	1
7	503 96 14-01	ABSORBER		1	1
8	544 23 85-01	HANDLE HALF	L, LS, LST, RJX	1	1
8	544 10 03-02	HANDLE HALF	LK, RJD, (LST Australia)	1	1
9	544 10 08-01	RECOIL SPRING		1	1
10	503 87 79-03	THROTTLE TRIGGER		1	1
11	544 10 17-03	DAMPER	L, LS, LST, RJX	2	1
11	544 10 17-02	DAMPER	LK, RJD, (LST Australia)	2	1
12	731 23 14-01	HEXAGON NUT		1	1
13	544 11 21-01	RETAINER		1	1
14	506 68 90-01	BOLT		1	1
15	578 27 96-01	WIRING		1	1
16	502 53 16-01	SHORT CIRCUIT CABLE		1	1, 15
17	578 86 78-01	THROTTLE CABLE		1	1, 15
19	523 06 26-01	TRIGGER	GUARD	1	
20	503 22 65-01	SQUARE NUT		1	
21	579 86 56-01	SCREW ITXSCFM		1	

F 525PT5S
STARTER

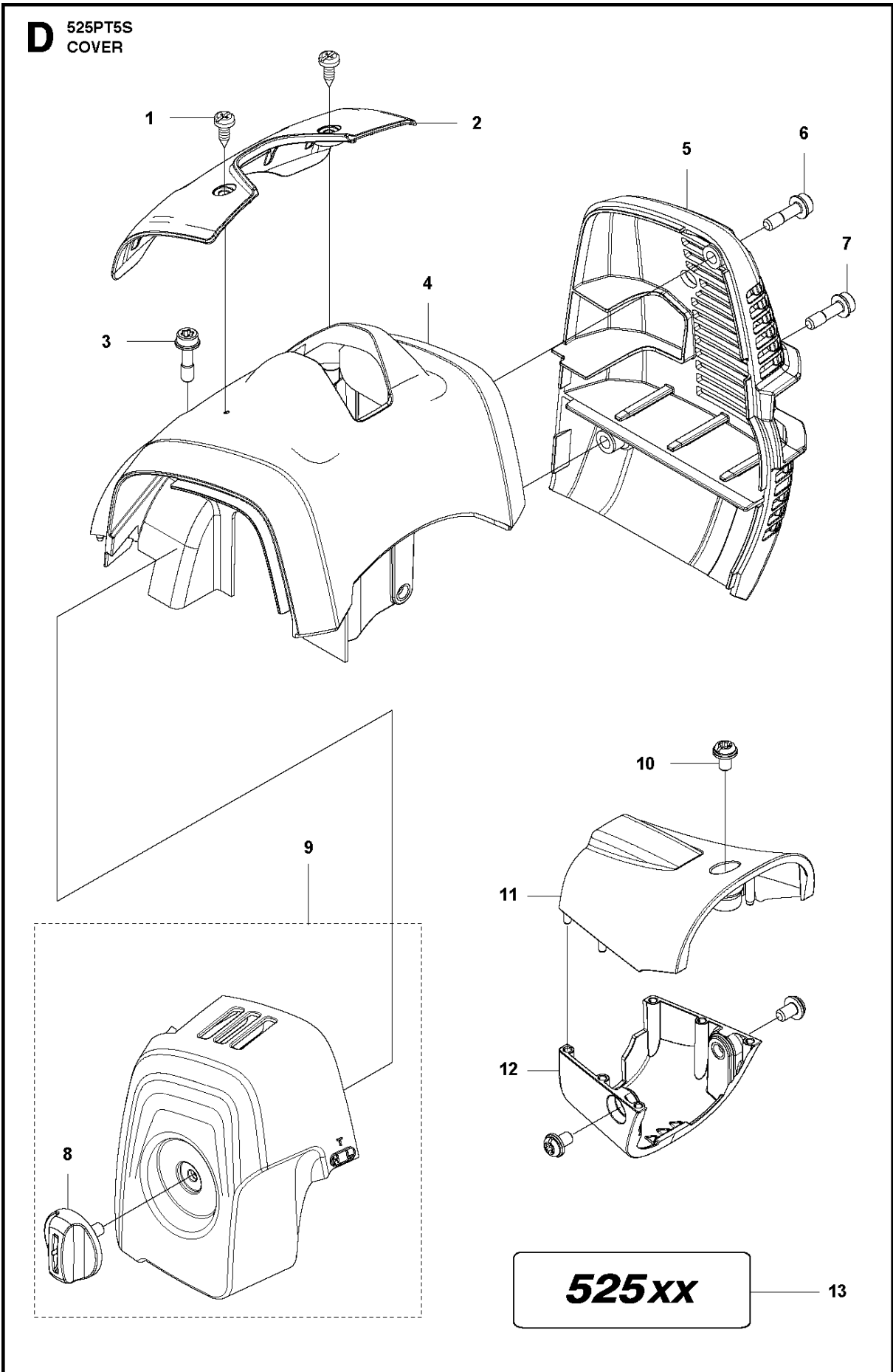


STARTER

525 PT5S

Ref	Part No	Description	Remark	QTY	KIT
1	581 14 65-01	STARTER PULLEY		1	
2	521 60 04-01	E-RING		2	1
3	521 60 03-01	SPRING		2	1
4	521 60 02-01	RATCHET		2	1
5	578 99 25-01	STARTER		1	
6	506 61 30-01	SCREW		1	5
7	579 06 46-01	ROPE		1	5
8	579 06 48-01	STARTER PULLEY		1	5
9	504 11 50-01	SPIRAL SPRING		1	5
10	575 48 95-01	STARTER HANDLE		1	5
11	577 81 54-01	BOLT		3	
12	579 36 96-01	DECAL		1	

D 525PT5S
COVER



525xx

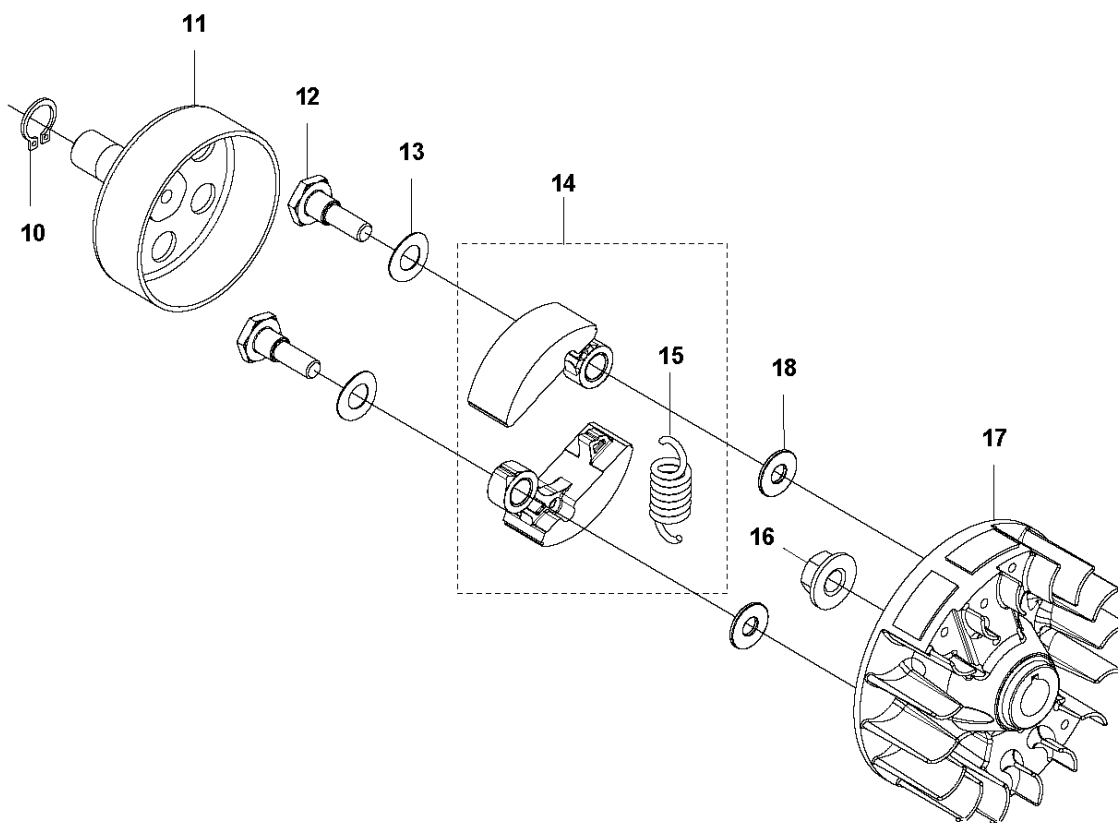
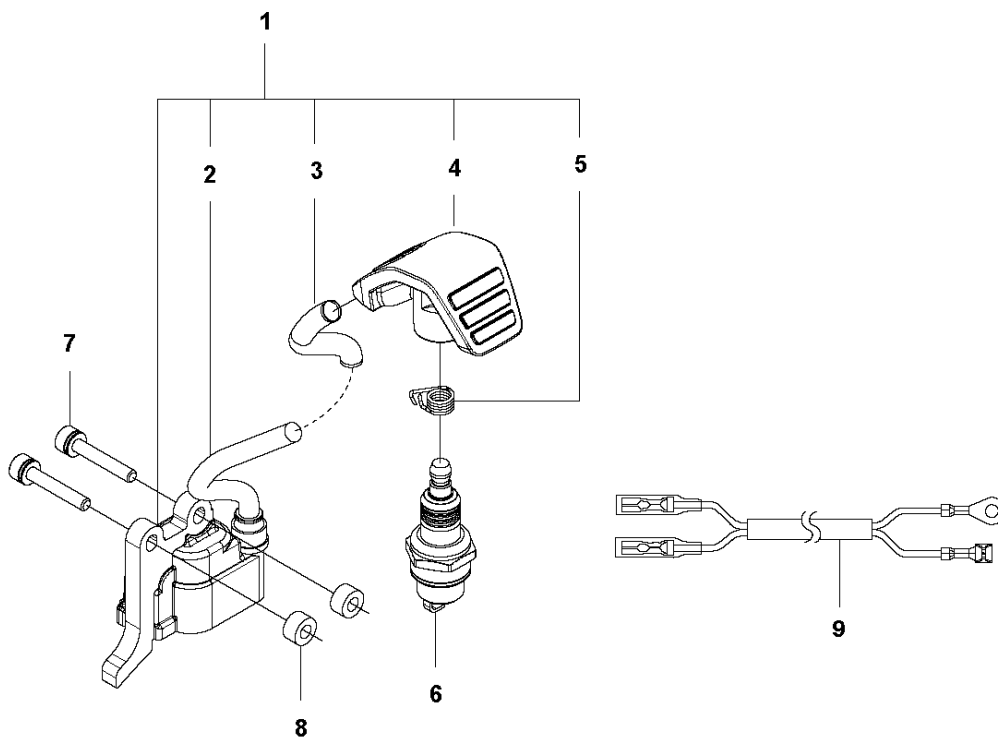
13

COVER

525 PT5S

Ref	Part No	Description	Remark	QTY	KIT
1	503 21 35-12	SCREW CCRPANT		2	
2	576 40 45-01	ARM PROTECTION		1	
3	577 81 54-01	BOLT		1	
4	592 81 09-01	CYLINDER COVER		1	
5	576 40 47-01	MUFFLER GUARD		1	
6	577 81 54-01	BOLT		1	
7	577 81 54-01	BOLT		1	
8	576 99 24-02	KNOB		1	9
9	581 04 73-01	FILTER COVER ASSY		1	
10	544 25 68-01	SCREW		3	
11	577 84 82-01	COVER	524L, 525L, LS, LST, RJD	1	
11	577 85 11-01	COVER	RS	1	
12	577 84 81-01	COVER	524L, 525L, LS, LST, RJD	1	
12	577 85 10-01	COVER	RS	1	
13	579 44 58-06	DECAL	525L	1	

J 525PT5S
IGNITION SYSTEM & CLUTCH

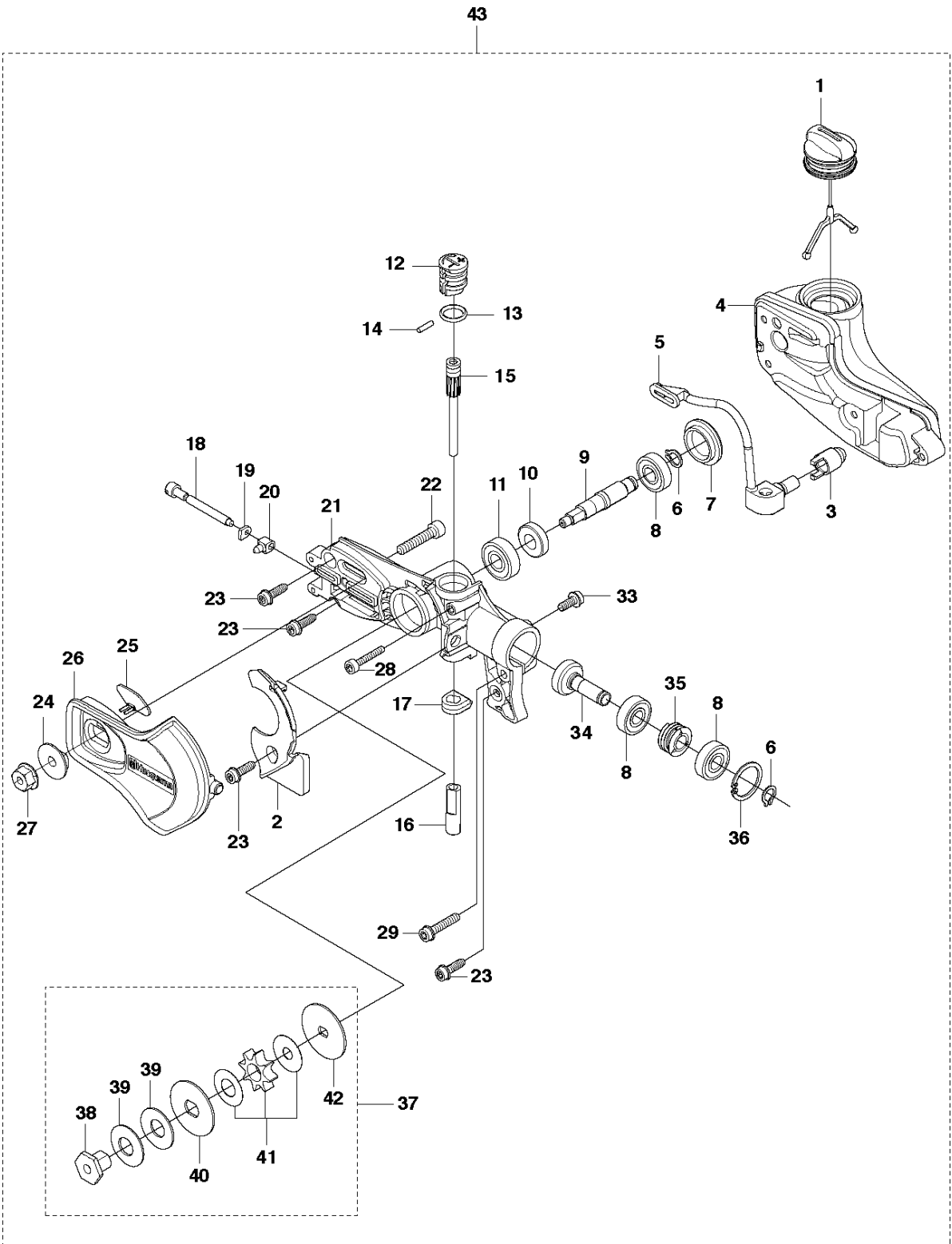


IGNITION SYSTEM & CLUTCH

525 PT5S

Ref	Part No	Description	Remark	QTY	KIT
1	588 14 15-01	IGNITION COIL		1	
2	584 82 66-01	IGNITION CABLE		1	1
3	579 59 07-01	TUBE		1	1
4	586 10 72-01	SPARK PLUG CAP		1	1
5	580 63 48-01	SPRING		1	1
6	584 96 81-01	SPARK PLUG	BPMR-8Y : NGK	1	
7	521 51 58-01	BOLT		2	
8	521 76 97-01	SPACER		2	
9	577 85 17-01	SHORT CIRCUIT CABLE		1	
10	516 12 41-01	SNAP RING		1	
11	581 14 20-01	CLUTCH DRUM		1	
12	513 18 96-01	SCREW		2	
13	521 75 82-01	WASHER		2	
14	577 05 28-01	CLUTCH ASSY		1	
15	576 40 07-01	CLUTCH SPRING		1	14
16	504 11 80-01	NUT		1	
17	578 96 78-01	FLYWHEEL		1	
18	505 05 44-01	WASHER		2	

A 525PT5S
SAW HEAD

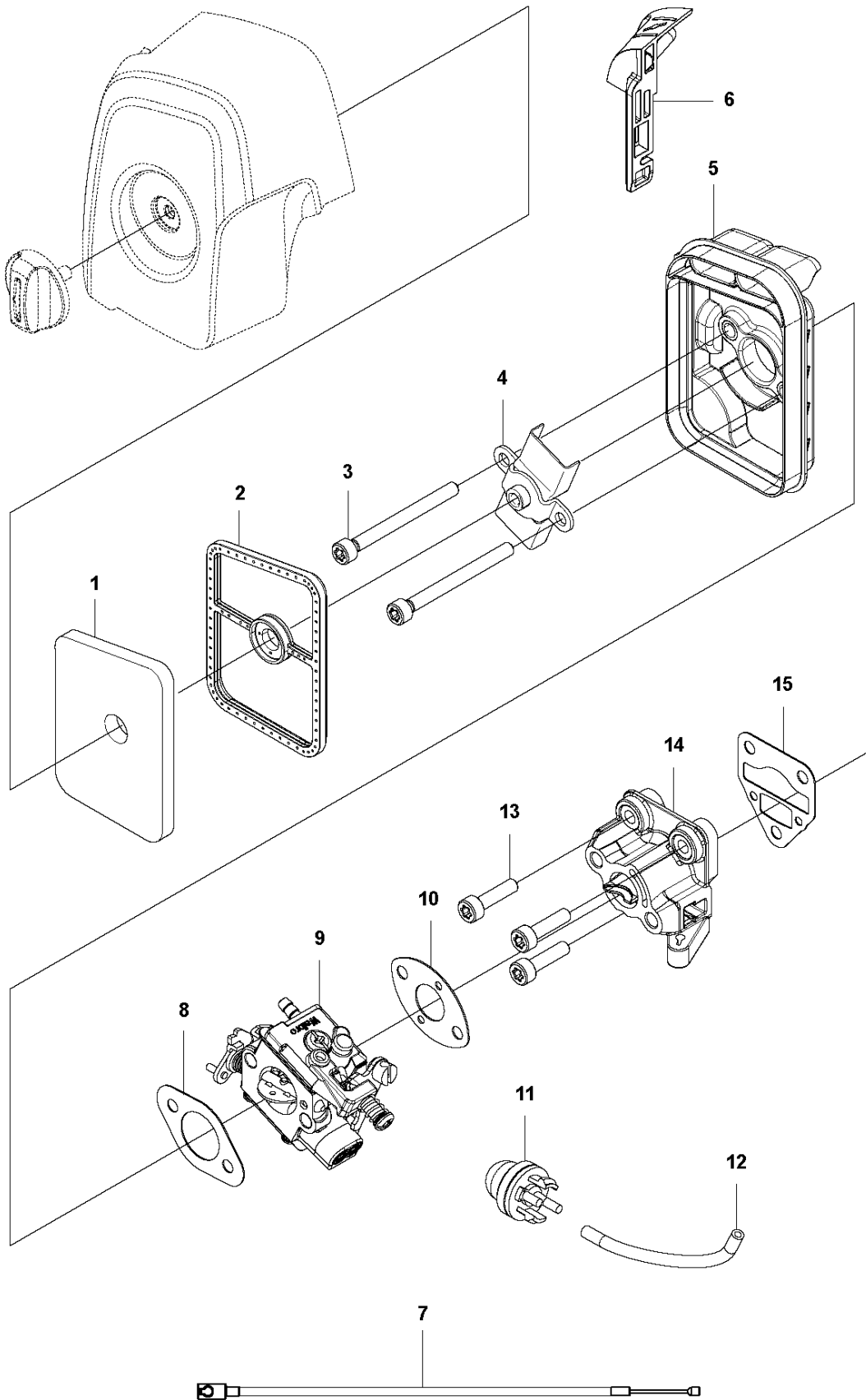


SAW HEAD

525 PT5S

Ref	Part No	Description	Remark	QTY	KIT
1	577 87 86-03	TANK CAP ASSY		1	43
2	525 61 31-01	COVER		1	43
3	510 04 43-01	OIL SCREEN		1	43
4	577 66 70-01	OIL TANK		1	43
5	525 49 06-01	OIL HOSE		1	43
6	735 31 11-00	CIRCLIP		2	43
7	574 82 98-01	COVER		1	43
8	738 21 99-04	BALL BEARING		3	43
9	525 49 04-01	SHAFT		1	43
10	575 35 56-01	GEAR WHEEL		1	43
11	738 21 00-04	BALL BEARING		1	43
12	525 48 16-01	KNOB		1	43
13	740 43 10-14	O-RING		1	43
14	503 24 09-11	NEEDLE ROLLER		1	43
15	540 05 79-01	PUMP PISTON		1	43
16	537 15 48-01	PUMP CYLINDER		1	43
17	576 39 59-01	FASTENER		1	43
18	501 81 92-01	SCREW		1	43
19	501 45 27-02	LOCK NUT		1	43
20	501 45 41-01	NUT		1	43
21	523 85 37-02	GEAR HOUSING		1	43
22	576 83 10-01	SCREW IHSCM		1	43
23	573 92 58-01	SCREW ITXSCFT		3	43
24	525 49 07-01	BUSHING		1	43
25	574 40 47-01	RUBBER		1	43
26	525 48 14-01	COVER		1	43
27	503 22 00-07	HEXAGON NUT		4	43
28	525 76 09-05	SCREW ITXSCM		1	43
29	525 75 51-04	SCREW ITXSCFM		1	43
33	525 75 51-05	SCREW ITXSCFM		1	43
34	575 35 55-01	PINION		1	43
35	525 48 97-01	WORM GEAR		1	43
36	735 31 25-10	CIRCLIP		1	43
37	585 48 31-01	SPROCKET	"for 1/4"" Chain"	1	43
37	585 48 31-02	SPROCKET	"for 3/8"" chain" (US only)	1	43
38	580 76 04-01	NUT		1	37, 43
39	581 12 61-01	DISC SPRING		2	37, 43
40	576 74 00-02	WASHER		1	37, 43
41	582 87 22-01	SPROCKET	"for 1/4"" Chain"	1	37, 43
41	582 87 22-02	SPROCKET	"for 3/8"" chain" (US only)	1	37, 43
42	576 74 00-01	WASHER		1	43
43	575 78 43-09	POLE SAW HEAD	"for 1/4"" Chain"	1	
43	575 78 43-10	POLE SAW HEAD	"for 3/8"" chain" (US only)	1	

E 525PT5S
CARBURETOR & AIR FILTER

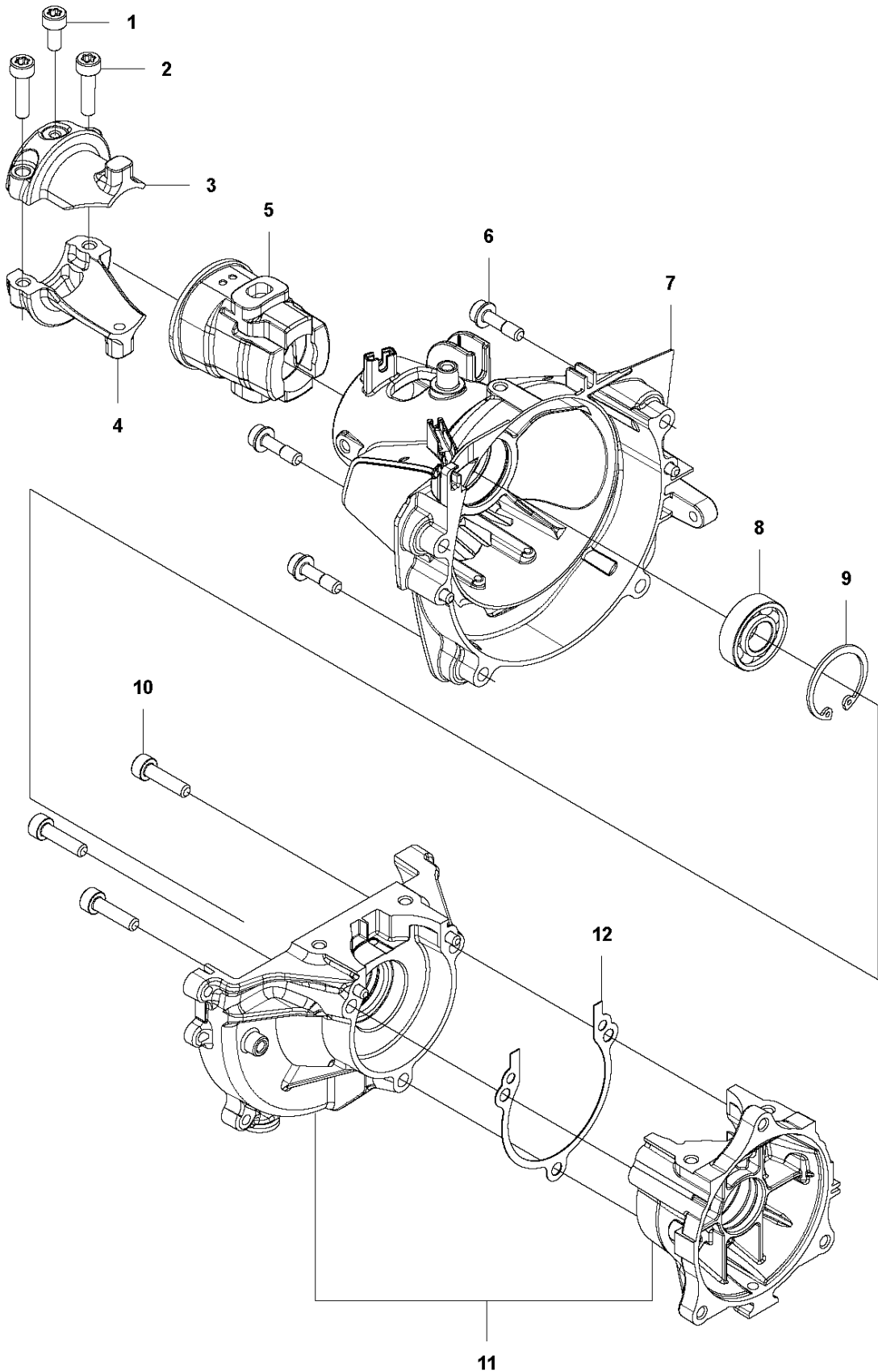


CARBURETOR & AIR FILTER

525 PT5S

Ref	Part No	Description	Remark	QTY KIT
1	581 04 74-01	AIR FILTER		1
2	581 45 18-01	AIR FILTER		1
3	580 46 72-01	BOLT		2
4	580 43 79-01	PLATE		1
5	581 04 70-01	FILTER HOUSING		1
6	577 84 83-01	CHOKE CONTROL		1
7	590 90 00-01	THROTTLE CABLE		1
8	577 88 24-02	GASKET		1
9	584 90 14-01	CARBURETTOR		1
10	576 39 91-02	GASKET		1
11	503 93 66-01	PURGE		1
12	577 05 05-01	PIPE		1
13	504 11 43-01	SCREW		3
14	578 90 83-01	INSULATOR		1
15	576 39 89-01	GASKET		1

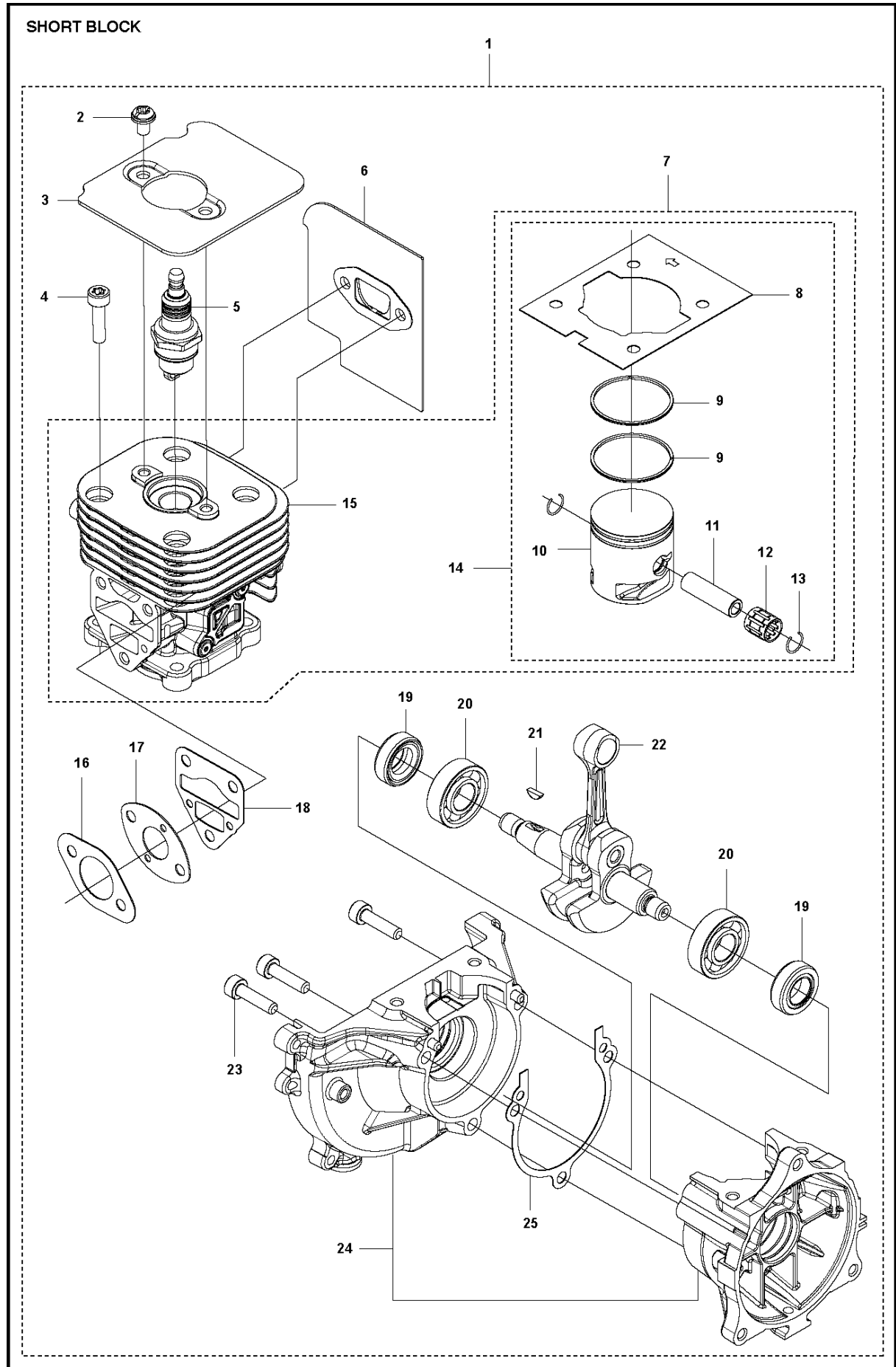
G 525PT5S
CRANKCASE



CRANKCASE

525 PT5S

Ref	Part No	Description	Remark	QTY KIT
1	525 82 49-14	SCREW ITXSCM		1
2	577 94 20-01	BOLT		2
3	576 42 07-02	BRACKET		1
4	576 42 08-02	BRACKET		1
5	576 42 05-01	CUSHION		1
6	577 81 54-01	BOLT		4
7	588 56 77-01	HOUSING		1
8	525 95 32-01	BEARING		1
9	506 60 99-01	SNAP RING		1
10	504 11 43-01	SCREW		3
11	581 30 86-02	CRANKCASE		1
12	576 39 95-02	GASKET		1

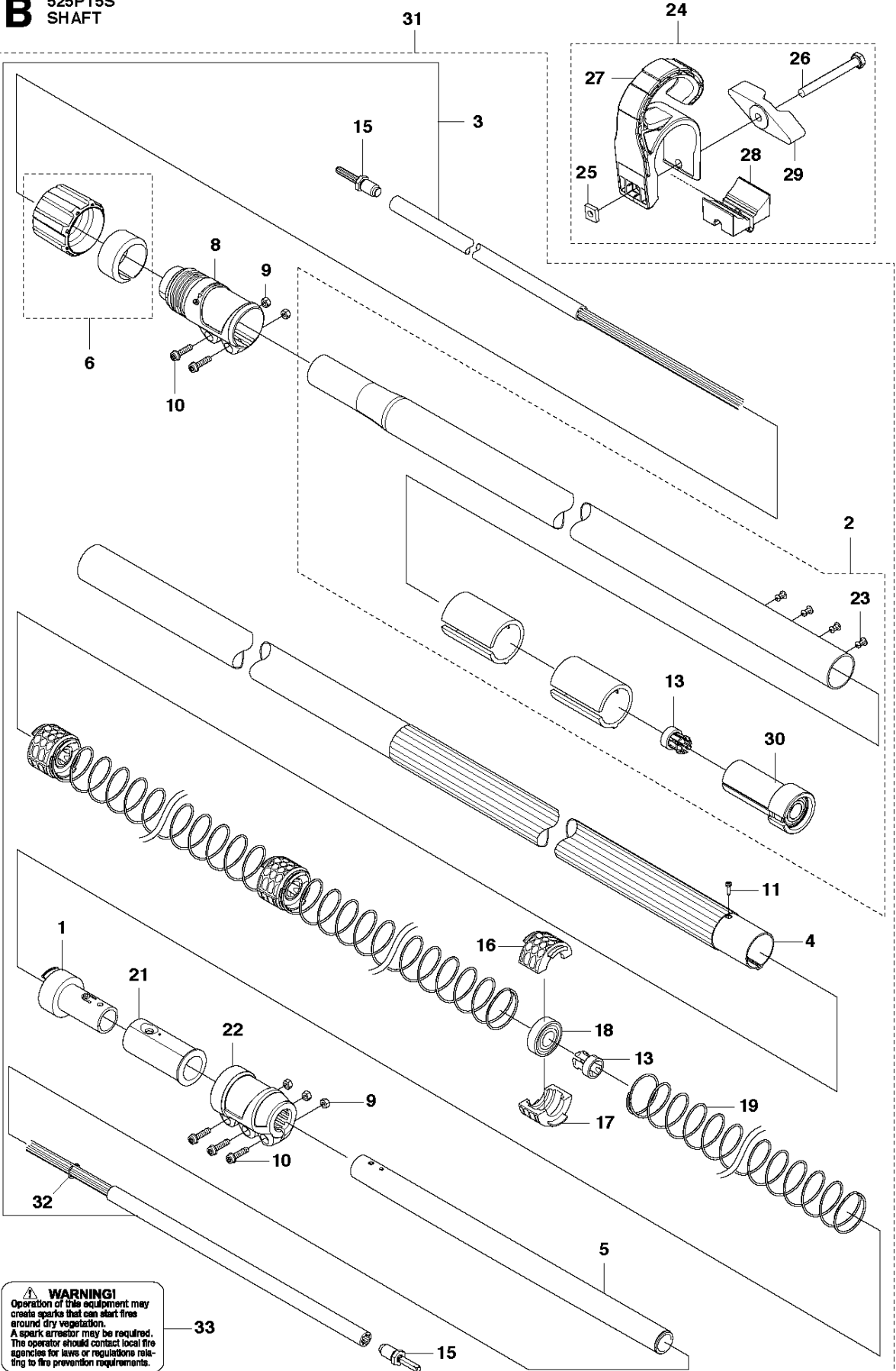


SHORT BLOCK

525 PT5S

Ref	Part No	Description	Remark	QTY	KIT
1	000 00 00-00	W/O DESCRIPTION		1	
2	544 25 68-01	SCREW		2	
3	578 78 53-01	PLATE		1	
4	504 11 43-01	SCREW		4	
5	576 59 81-01	SPARK PLUG		1	
6	578 40 81-01	GASKET		1	
7	588 09 82-02	SERVICE KIT		1	
8	576 39 87-02	GASKET		1	7,14
9	506 61 81-01	RING		2	7,14
10	577 91 74-01	PISTON		1	7,14
11	505 04 07-01	PIN		1	7,14
12	576 40 27-01	BEARING		1	7,14
13	505 04 52-01	RING		2	7,14
14	588 09 81-02	SERVICE KIT		1	7
15	577 97 90-01	CYLINDER		1	7
16	577 88 24-02	GASKET		1	
17	576 39 91-02	GASKET		1	
18	576 39 89-01	GASKET		1	
19	504 12 15-01	SEALING		2	
20	506 61 03-01	BEARING		2	
21	506 68 94-01	KEY		1	
22	586 65 66-01	CRANKSHAFT		1	
23	504 11 43-01	SCREW		3	
24	581 30 86-02	CRANKCASE		1	
25	576 39 95-02	GASKET		1	

B 525PT5S
SHAFT



WARNING!
Operation of this equipment may create sparks that can start fires around dry vegetation. A spark arrester may be required. The operator should contact local fire agencies for laws or regulations relating to fire prevention requirements.

SHAFT

525 PT5S

Ref	Part No	Description	Remark	QTY	KIT
1	576 92 60-01	BEARING SLEEVE		1	31
2	576 92 58-02	TUBE		1	31
3	576 92 56-02	DRIVE SHAFT		1	31
4	576 92 55-01	FRAME		1	31
5	576 92 57-02	TUBE		1	31
6	590 94 02-01	RING		1	31
8	510 09 60-01	CLAMPING SLEEVE		1	31
9	731 23 14-01	HEXAGON NUT		5	31
10	525 75 51-02	SCREW ITXSCFM		5	31
11	530 01 60-64	SCREW		1	4, 31
13	537 09 45-01	SLIDING SHOE		4	2, 31
15	574 61 89-02	ADAPTER		2	31
16	510 09 73-01	BEARING HOUSING		3	31
17	510 09 47-01	BEARING HOUSING		3	31
18	738 21 01-02	BALL BEARING		3	31
19	510 09 52-01	SPRING		3	31
21	510 09 10-01	SLEEVE		1	31
22	522 59 70-01	CLAMPING SLEEVE		1	31
23	576 22 12-01	RIVET		1	2, 31
24	579 26 40-01	LOOP		1	31
25	502 19 71-01	SQUARE NUT		1	24
26	725 23 81-51	SCREW EHHM		1	24
27	522 72 31-01	LOOP		1	24
28	522 72 33-01	SPACING BLOCK		1	24
29	502 20 38-01	KNOB		1	24
30	579 27 55-01	BEARING SLEEVE		1	2, 31
31	510 09 70-02	TUBE DRIVESHAFT ASSY		1	
32	510 11 25-01	CIRCLIP		1	3, 31
33	522 92 86-02	LABEL		1	