

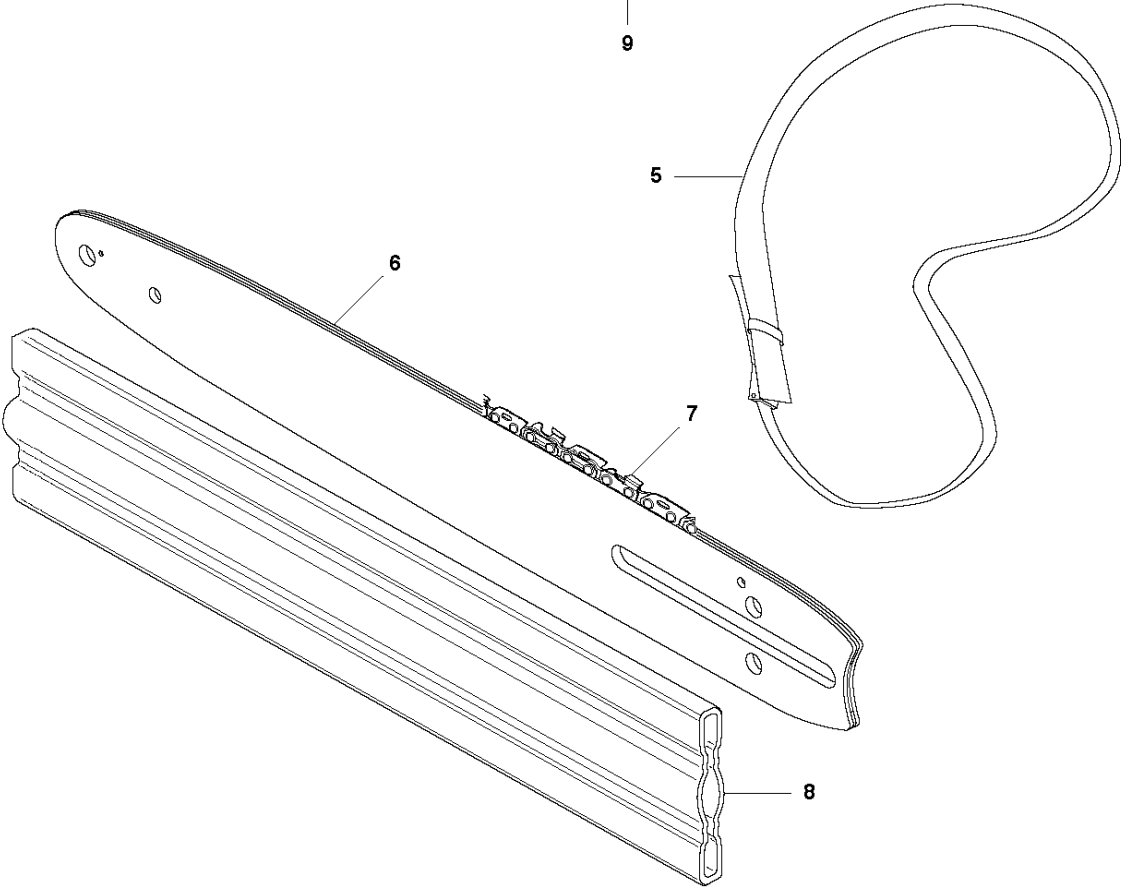
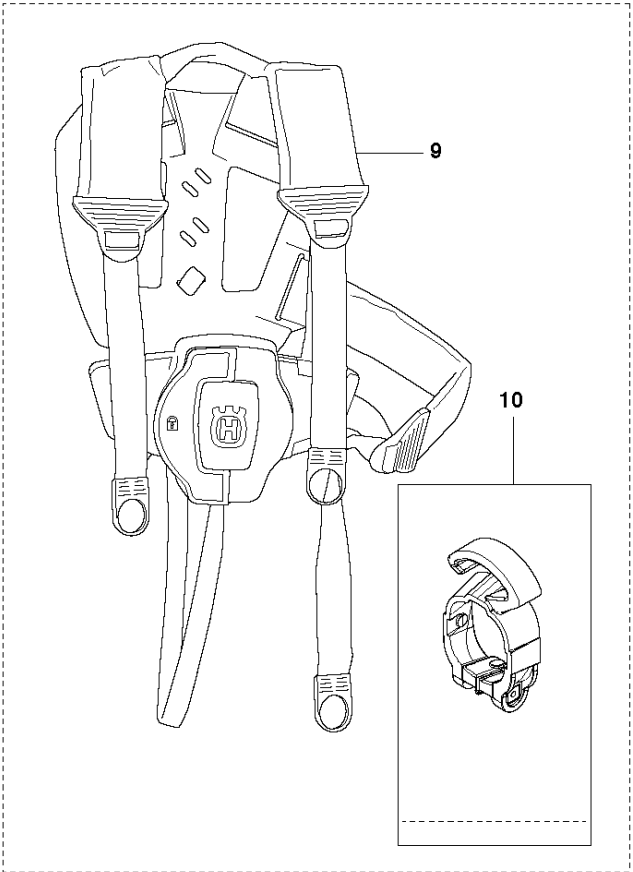
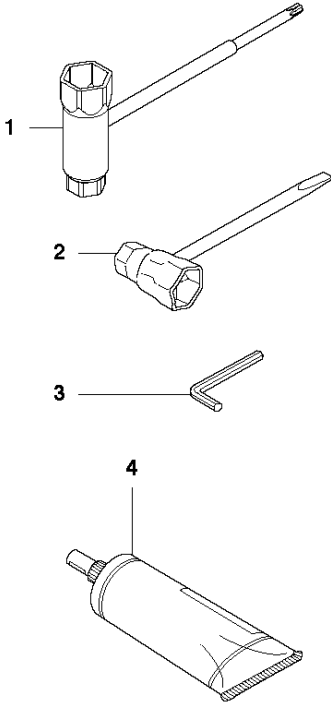


# SPARE PARTS LIST

POLE PRUNER/POLE SAWS

525 P5S

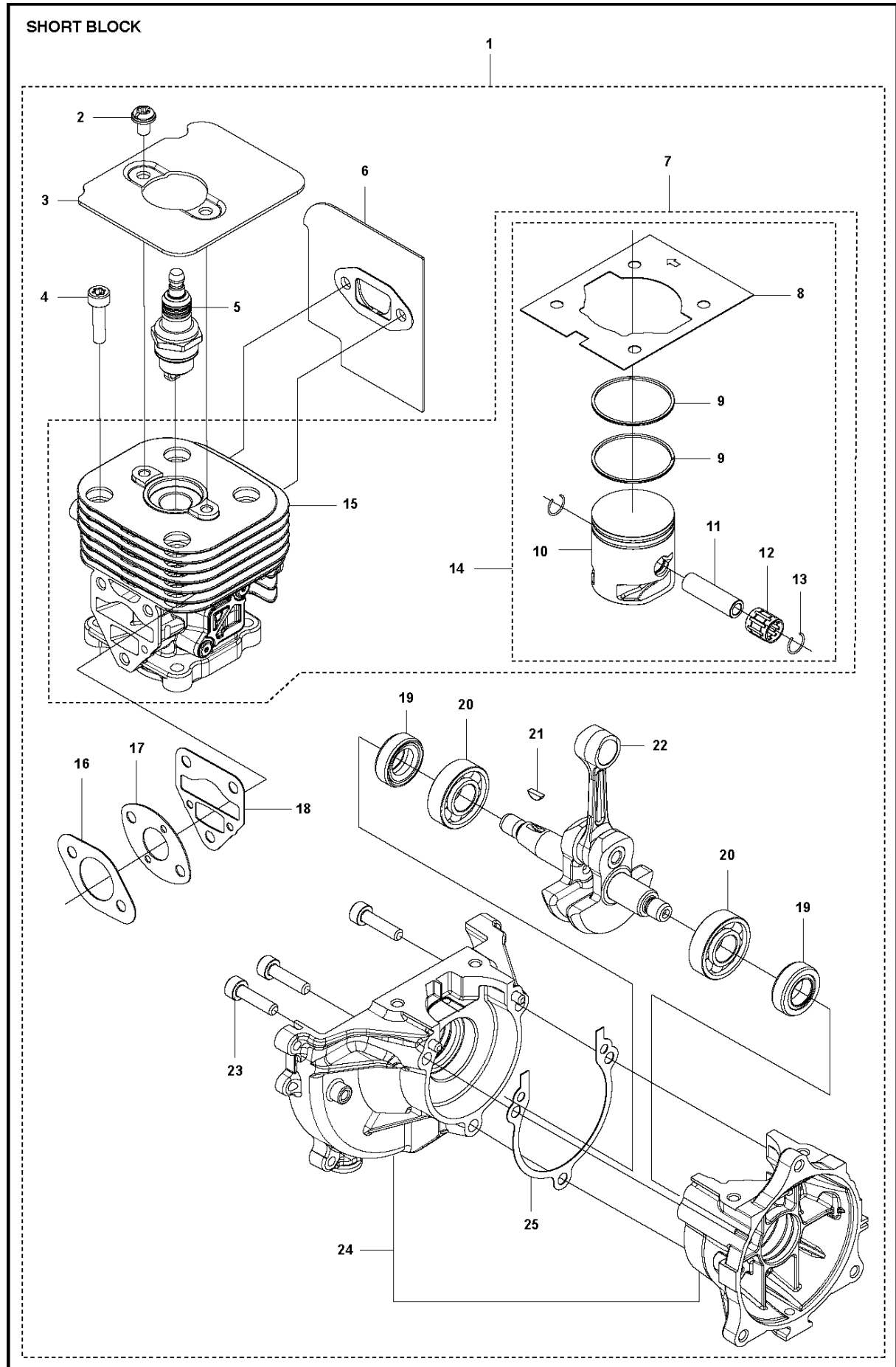
**N1** 525P5S  
ACCESSORIES



## ACCESSORIES

525 P5S

Ref	Part No	Description	Remark	QTY KIT
1	575 73 82-02	COMBINATION WRENCH		1
2	501 69 17-01	COMBINATION WRENCH		1
3	503 55 86-01	SPANNER		1
4	579 06 49-01	GREASE	100 g	1
5	537 21 62-03	HARNESS		1
6	501 95 92-40	BAR	"(10""")	1
6	501 95 92-45	BAR	"(12""")	1
7	576 93 65-40	SAW CHAIN	"(10""")	1
7	576 93 65-45	SAW CHAIN	"(12""")	1
8	537 12 99-01	BAR COVER		1
9	578 44 99-01	HARNESS	Balance flex	1
10	579 83 41-01	ACCESSORY BAG	To be used with Harness 578 44 99-01	1

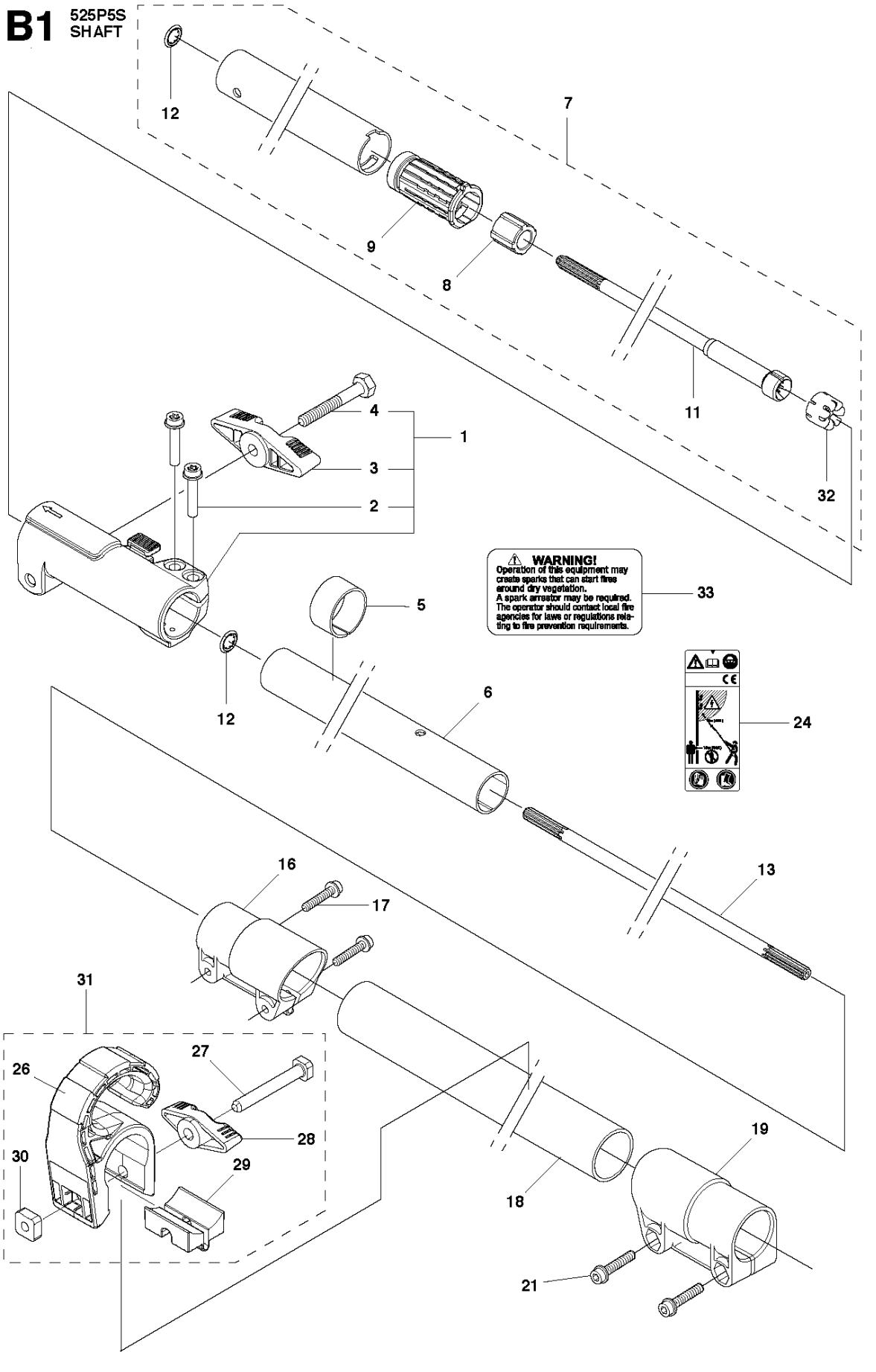


## SHORT BLOCK

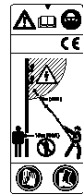
525 P5S

Ref	Part No	Description	Remark	QTY	KIT
1	000 00 00-00	W/O DESCRIPTION		1	
2	544 25 68-01	SCREW		2	
3	578 78 53-01	PLATE		1	
4	504 11 43-01	SCREW		4	
5	576 59 81-01	SPARK PLUG		1	
6	578 40 81-01	GASKET		1	
7	588 09 82-02	SERVICE KIT		1	
8	576 39 87-02	GASKET		1	7,14
9	506 61 81-01	RING		2	7,14
10	577 91 74-01	PISTON		1	7,14
11	505 04 07-01	PIN		1	7,14
12	576 40 27-01	BEARING		1	7,14
13	505 04 52-01	RING		2	7,14
14	588 09 81-02	SERVICE KIT		1	7
15	577 97 90-01	CYLINDER		1	7
16	577 88 24-02	GASKET		1	
17	576 39 91-02	GASKET		1	
18	576 39 89-01	GASKET		1	
19	504 12 15-01	SEALING		2	
20	506 61 03-01	BEARING		2	
21	506 68 94-01	KEY		1	
22	586 65 66-01	CRANKSHAFT		1	
23	504 11 43-01	SCREW		3	
24	581 30 86-02	CRANKCASE		1	
25	576 39 95-02	GASKET		1	

**B1** 525P5S  
SHAFT



**WARNING!**  
Operation of this equipment may create sparks that can start fires around dry vegetation. A spark arrester may be required. The operator should contact local fire agencies for laws or regulations relating to fire prevention requirements.

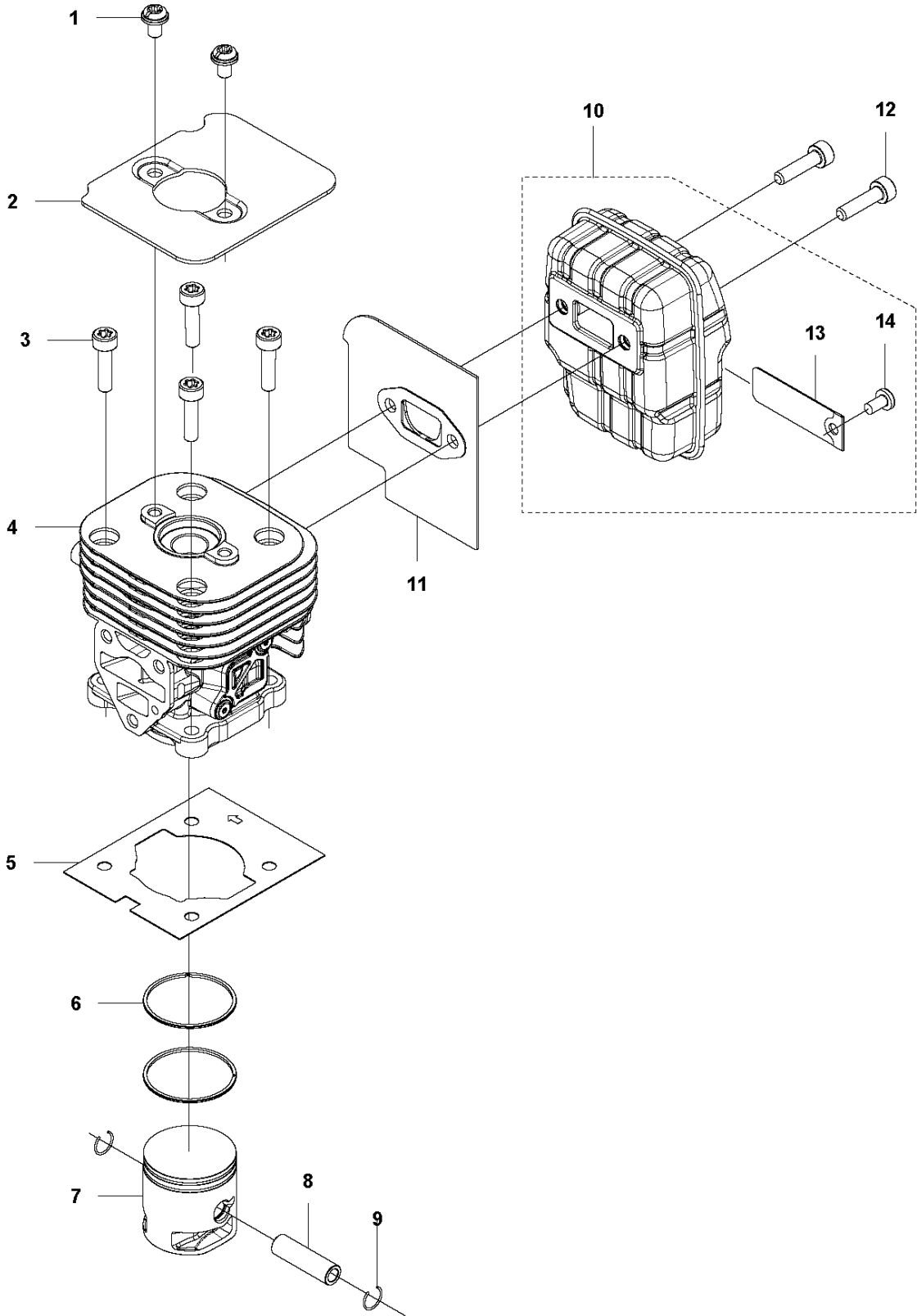


## SHAFT

525 P5S

Ref	Part No	Description	Remark	QTY KIT	
1	576 28 26-01	CLAMPING SLEEVE ASSY		1	
2	525 75 51-04	SCREW ITXSCFM		2	1
3	576 28 24-01	KNOB		1	1
4	725 23 76-51	SCREW EHHM		1	1
5	537 24 51-01	SPACER		1	
6	587 96 75-02	TUBE ASSY	Ø=24 mm L=1650 mm	1	
7	587 97 21-02	TUBE ASSY	Ø=24 mm L=1100 mm	1	
8	503 78 52-02	SUPPORTING BEARING		1	7
9	587 41 46-01	PLUG		1	7
11	587 41 17-02	DRIVE SHAFT	Ø=7 mm L=1114 mm	1	7
12	735 58 08-10	LOCKWASHER		1	7
13	581 16 17-03	DRIVE SHAFT			
16	537 27 29-01	COMPRESSION SLEEVE		1	
17	586 44 30-02	SCREW ITXSCFT		2	
18	537 24 68-02	PIPE	Ø=30 mm L=1230 mm	1	
19	537 27 29-01	COMPRESSION SLEEVE		1	
21	586 44 30-02	SCREW ITXSCFT		2	
24	585 94 40-01	DECAL		1	
26	504 70 21-01	LOOP		1	31
27	725 23 79-51	SCREW EHHM		1	31
28	502 20 38-01	KNOB		1	31
29	504 69 87-01	SPACING BLOCK		1	31
30	502 19 71-01	SQUARE NUT		1	31
31	522 42 70-01	ACCESSORY BAG		1	
32	583 93 83-01	CLIP		1	
33	522 92 86-02	LABEL		1	

**K** 525P5S, 525P4S  
CYLINDER PISTON & MUFFLER



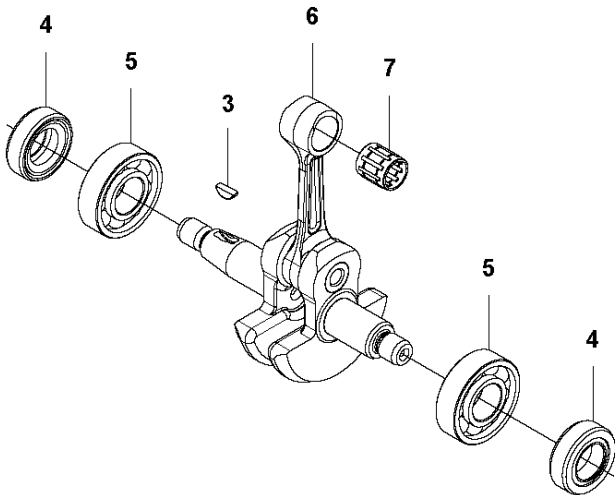
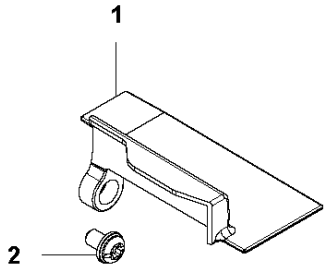


## CYLINDER, PISTON &amp; MUFFLER

525 P5S

Ref	Part No	Description	Remark	QTY	KIT
1	544 25 68-01	SCREW		2	
2	578 78 53-01	PLATE		1	
3	504 11 43-01	SCREW		4	
4	577 97 90-01	CYLINDER		1	
5	576 39 87-02	GASKET		1	
6	506 61 81-01	RING		2	
7	577 91 74-01	PISTON		1	
8	505 04 07-01	PIN		1	
9	505 04 52-01	RING		2	
10	585 24 86-01	MUFFLER		1	
10	580 52 36-01	MUFFLER ASSY	USA	1	
10	585 03 29-01	MUFFLER ASSY	Australia / New Zealand	1	
11	578 40 81-01	GASKET		1	
12	504 11 43-01	SCREW		2	
13	580 51 44-01	SPARK ARRESTER		1	10
14	729 57 74-05	SCREW CRPANT		1	10

**L** 525P5S, 525P4S  
CRANKSHAFT

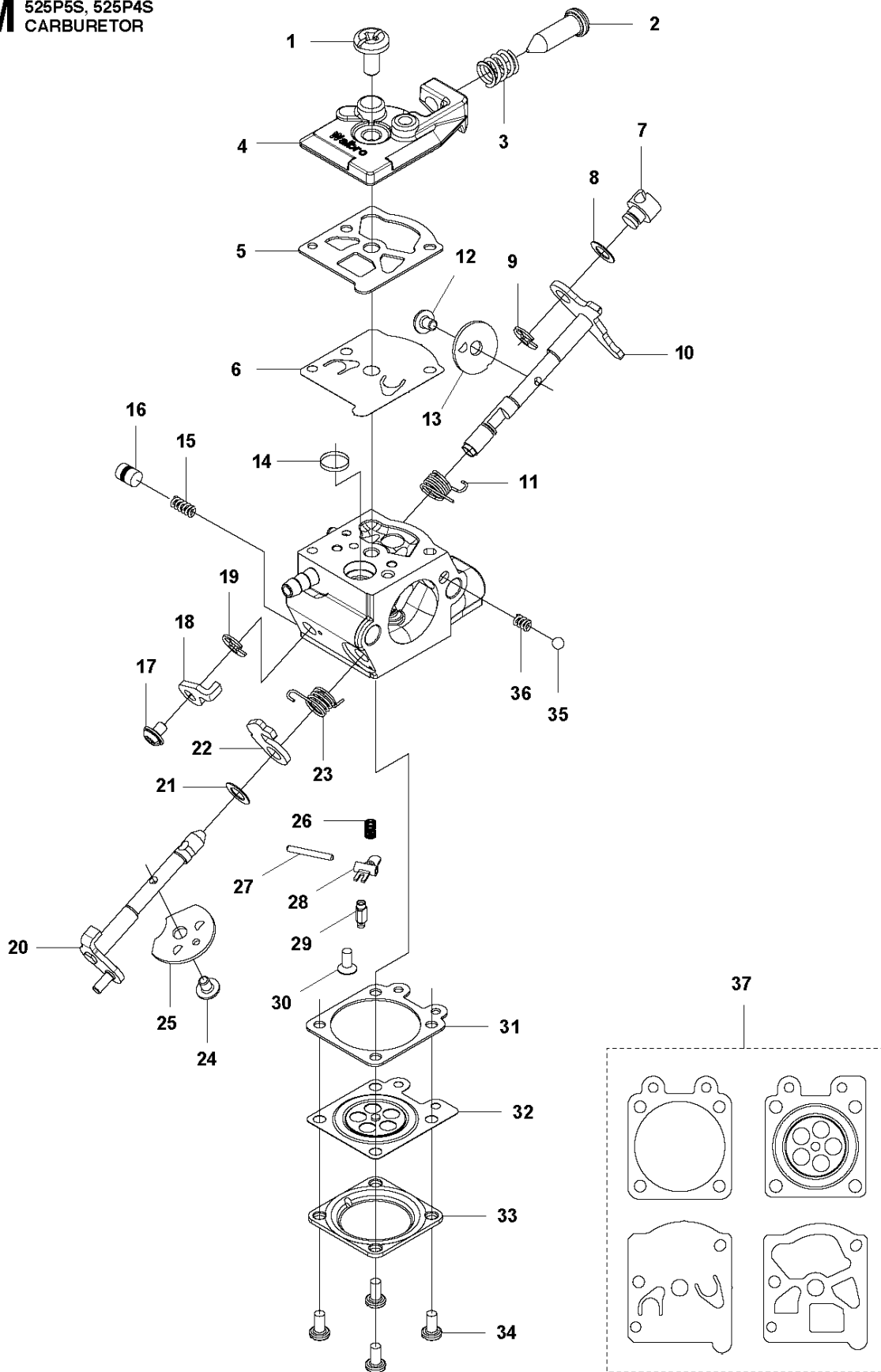


## CRANKSHAFT

525 P5S

Ref	Part No	Description	Remark	QTY KIT
1	576 40 46-01	MUFFLER		1
2	544 25 68-01	SCREW		1
3	506 68 94-01	KEY		1
4	504 12 15-01	SEALING		2
5	506 61 03-01	BEARING		2
6	579 22 32-01	CRANKSHAFT		1
7	576 40 27-01	BEARING		1

**M** 525P5S, 525P4S  
CARBURETOR

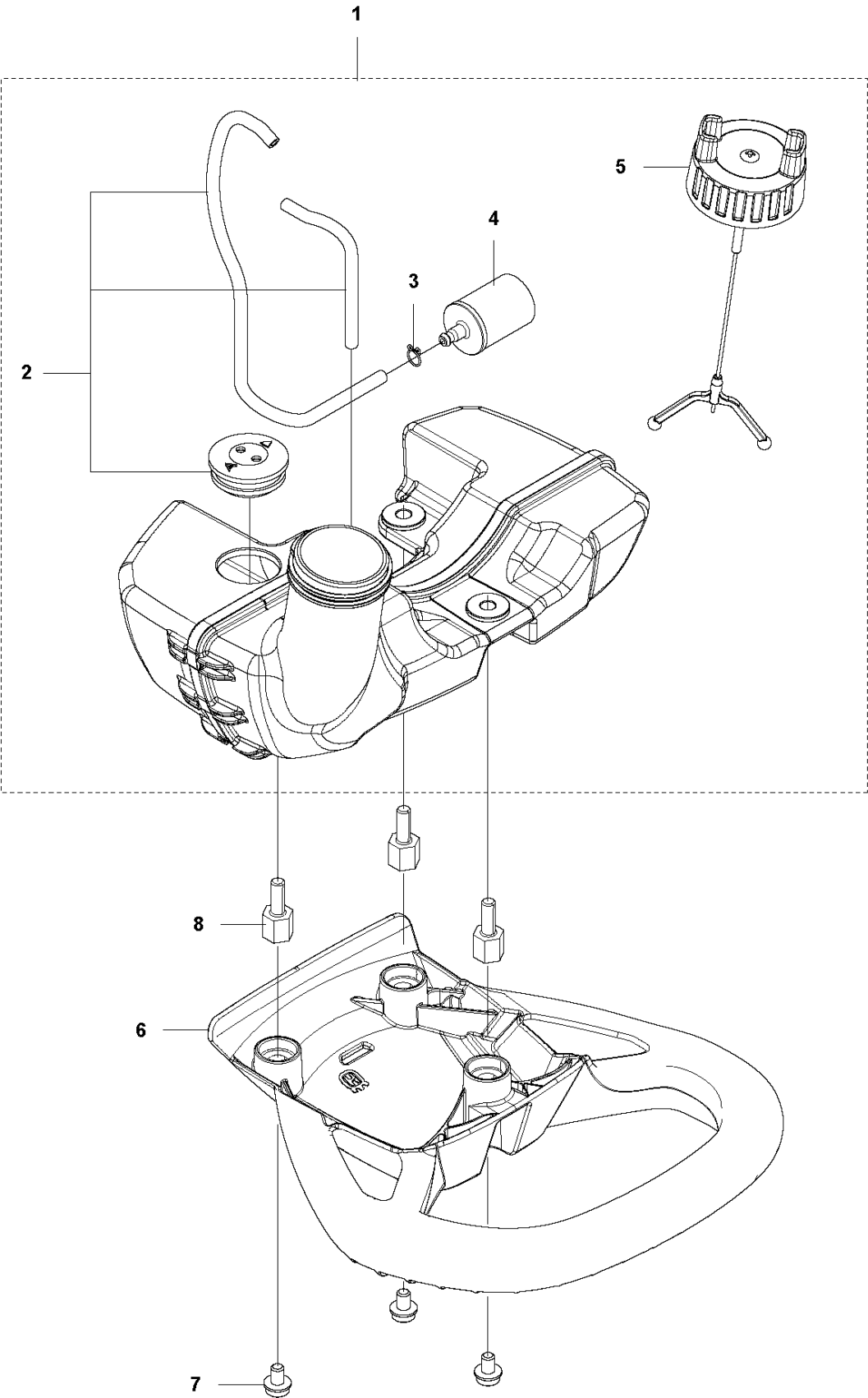


## CARBURETOR

525 P5S

Ref	Part No	Description	Remark	QTY KIT
1	520 97 63-01	SCREW		1
2	577 81 57-01	SCREW		1
3	513 59 32-01	SPRING		1
4	579 19 06-01	COVER		1
5	520 95 48-01	GASKET		1
6	502 21 36-01	DIAPHRAGM PUMP		1
7	513 40 08-01	SWIVEL		1
8	516 52 42-01	WASHER		1
9	506 73 86-01	RETAINER RING		1
10	579 19 07-01	SHAFT		1
11	577 81 55-01	SPRING		1
12	520 75 98-01	SCREW		1
13	520 97 86-01	VALVE		1
14	520 95 70-01	SCREEN		1
15	505 05 79-01	SPRING		1
16	584 90 12-01	PISTON ASSY		1
17	520 75 98-01	SCREW		1
18	579 19 08-01	LEVER		1
19	505 05 65-01	RING		1
20	579 19 10-01	SHAFT		1
21	516 52 42-01	WASHER		1
22	584 90 13-01	LEVER		1
23	579 19 11-01	SPRING		1
24	520 75 98-01	SCREW		1
25	581 15 49-01	VALVE		1
26	578 89 54-01	SPRING		1
27	520 97 74-01	PIN		1
28	577 80 72-01	LEVER		1
29	521 08 54-01	VALVE.INLET		1
30	577 80 71-01	SCREW		1
31	516 97 21-01	GASKET		1
32	577 80 70-01	DIAPHRAGM		1
33	514 18 92-01	COVER		1
34	520 97 88-01	SCREW ASSY		4
35	514 24 26-01	BALL		1
36	514 24 33-01	SPRING.CHOKE		1
37	580 68 48-01	GASKET KIT	Coomopes by item 5, 6, 31 and 32	1

**H** 525P5S, 525P4S  
FUEL TANK

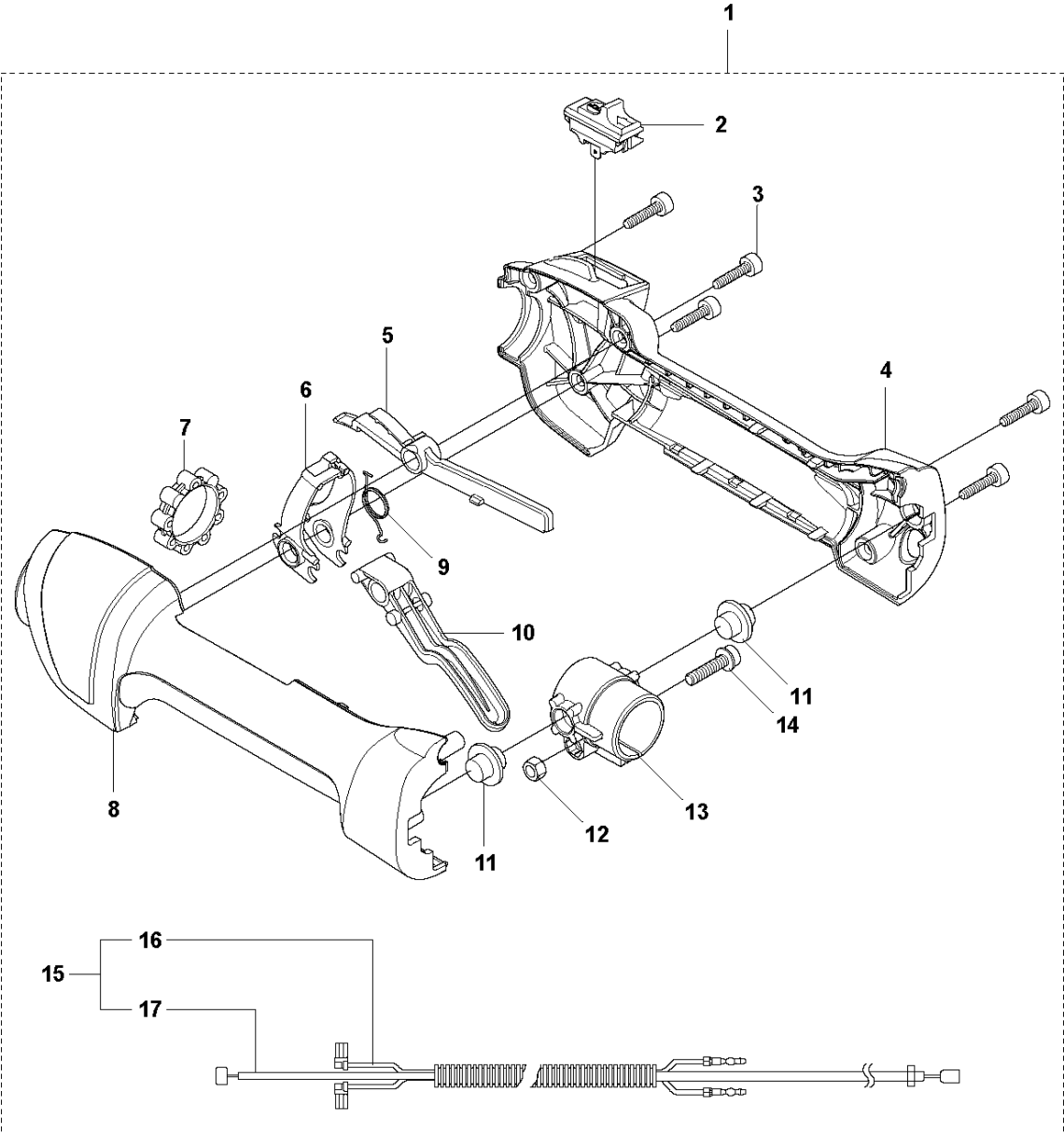


## FUEL TANK

525 P5S

Ref	Part No	Description	Remark	QTY	KIT
1	576 40 51-01	FUEL TANK		1	
1	576 40 51-02	FUEL TANK	Australia / New Zealand	1	
2	579 21 03-02	HOSE ASSY		1	1
2	577 50 99-03	PIPE	Australia / New Zealand	1	
3	506 70 70-01	CLIP		1	1
4	503 44 32-01	FUEL FILTER		1	1
5	579 64 57-03	TANK CAP		1	1
6	587 36 59-01	BUMPER		1	
7	525 75 51-08	SCREW ITXSCFM		3	
8	587 61 56-01	STUD SCREW		3	

**C** 525P5S, 525P4S  
THROTTLE CONTROLS



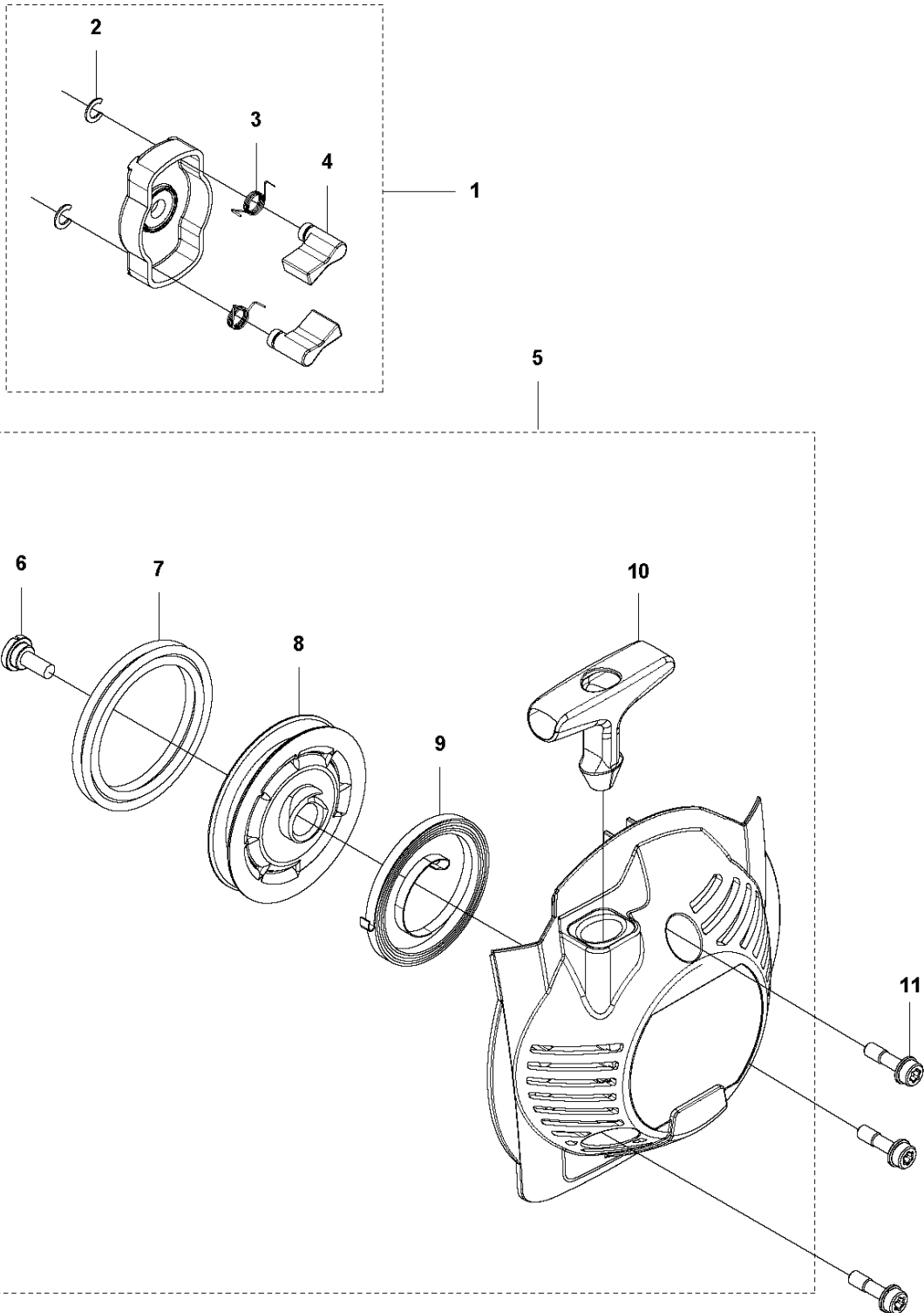


## THROTTLE CONTROLS

525 P5S

Ref	Part No	Description	Remark	QTY	KIT
1	578 27 95-01	THROTTLE CONTROL	L, LS, LST, RJX	1	
1	578 27 95-02	THROTTLE CONTROL	LK, RJD, (LST Australia)	1	
2	537 41 90-01	SWITCH		1	1
3	575 96 05-01	SCREW IH SCT		5	1
4	544 23 84-01	HANDLE HALF	L, LS, LST, RJX	1	1
4	544 10 02-02	HANDLE HALF	LK, RJD, (LST Australia)	1	1
5	503 87 80-01	THROTTLE LOCKOUT		1	1
6	503 91 81-01	THROTTLE LEVER		1	1
7	503 96 14-01	ABSORBER		1	1
8	544 23 85-01	HANDLE HALF	L, LS, LST, RJX	1	1
8	544 10 03-02	HANDLE HALF	LK, RJD, (LST Australia)	1	1
9	544 10 08-01	RECOIL SPRING		1	1
10	503 87 79-03	THROTTLE TRIGGER		1	1
11	544 10 17-03	DAMPER	L, LS, LST, RJX	2	1
11	544 10 17-02	DAMPER	LK, RJD, (LST Australia)	2	1
12	731 23 14-01	HEXAGON NUT		1	1
13	544 11 21-01	RETAINER		1	1
14	506 68 90-01	BOLT		1	1
15	578 27 96-01	WIRING		1	1
16	502 53 16-01	SHORT CIRCUIT CABLE		1	1, 15
17	578 86 78-01	THROTTLE CABLE		1	1, 15

**F** 525P5S, 525P4S  
STARTER

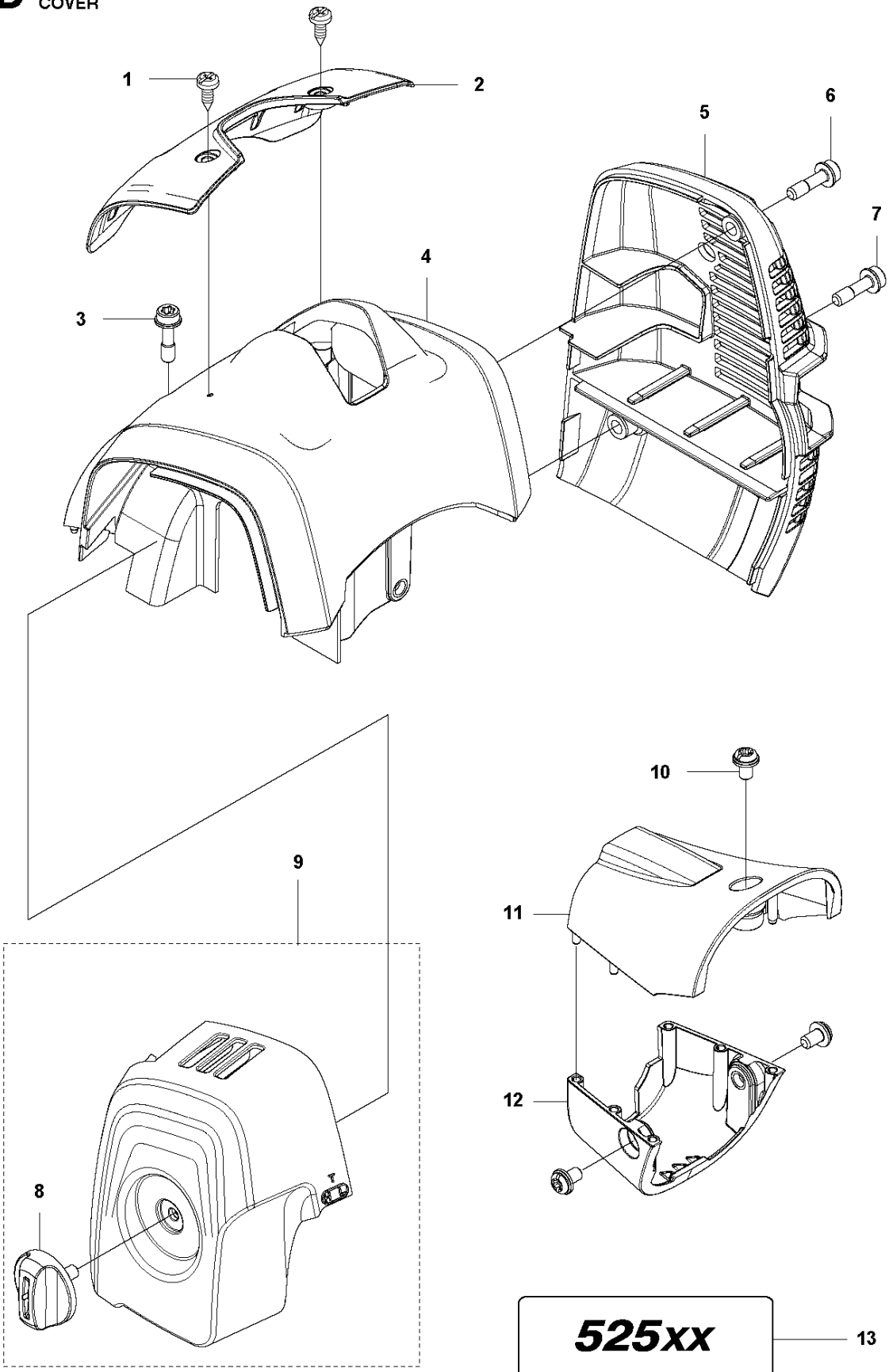


## STARTER

525 P5S

Ref	Part No	Description	Remark	QTY	KIT
1	581 14 65-01	STARTER PULLEY		1	
2	521 60 04-01	E-RING		2	1
3	521 60 03-01	SPRING		2	1
4	521 60 02-01	RATCHET		2	1
5	578 99 25-01	STARTER		1	
6	506 61 30-01	SCREW		1	5
7	579 06 46-01	ROPE		1	5
8	579 06 48-01	STARTER PULLEY		1	5
9	504 11 50-01	SPIRAL SPRING		1	5
10	575 48 95-01	STARTER HANDLE		1	5
11	577 81 54-01	BOLT		3	
12	579 36 96-01	DECAL		1	

**D** 525P5S, 525P4S  
COVER



**525xx**

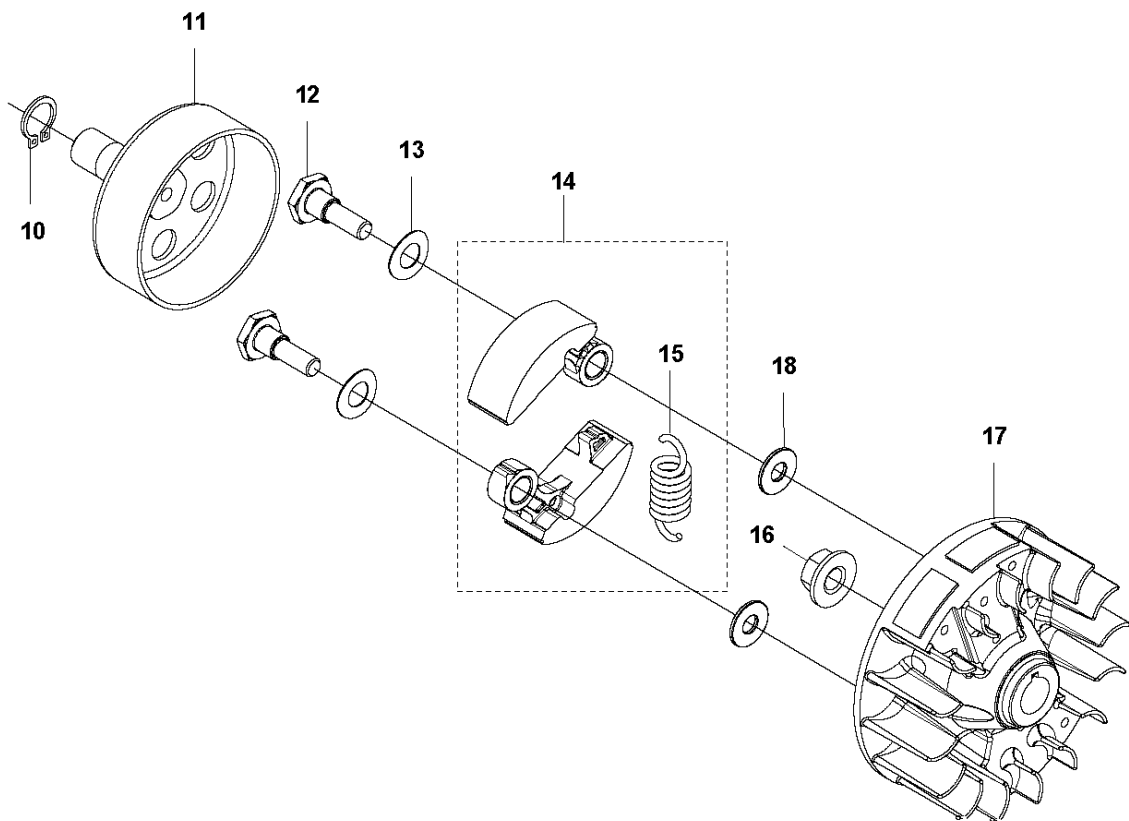
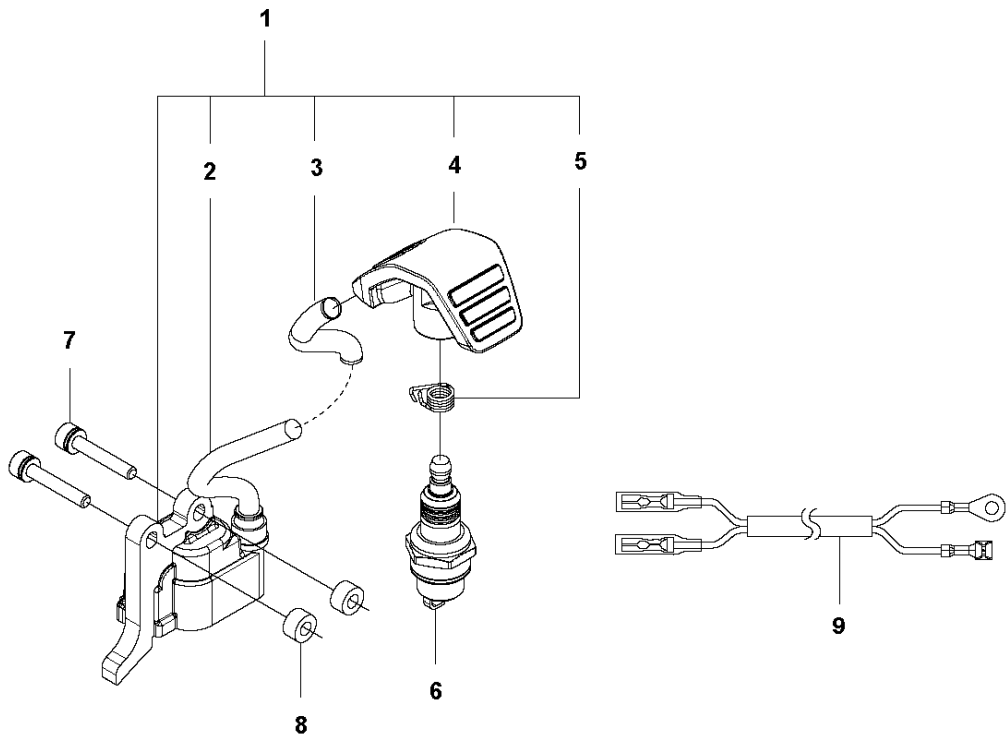
13

## COVER

525 P5S

Ref	Part No	Description	Remark	QTY	KIT
1	503 21 35-12	SCREW CCRPANT		2	
2	576 40 45-01	ARM PROTECTION		1	
3	577 81 54-01	BOLT		1	
4	592 81 09-01	CYLINDER COVER		1	
5	576 40 47-01	MUFFLER GUARD		1	
6	577 81 54-01	BOLT		1	
7	577 81 54-01	BOLT		1	
8	576 99 24-02	KNOB		1	9
9	581 04 73-01	FILTER COVER ASSY		1	
10	544 25 68-01	SCREW		3	
11	577 84 82-01	COVER	524L, 525L, LS, LST, RJD	1	
11	577 85 11-01	COVER	RS	1	
12	577 84 81-01	COVER	524L, 525L, LS, LST, RJD	1	
12	577 85 10-01	COVER	RS	1	
13	579 44 58-06	DECAL	525L	1	

**J** 525P5S, 525P4S  
IGNITION SYSTEM & CLUTCH



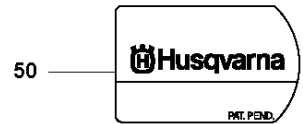
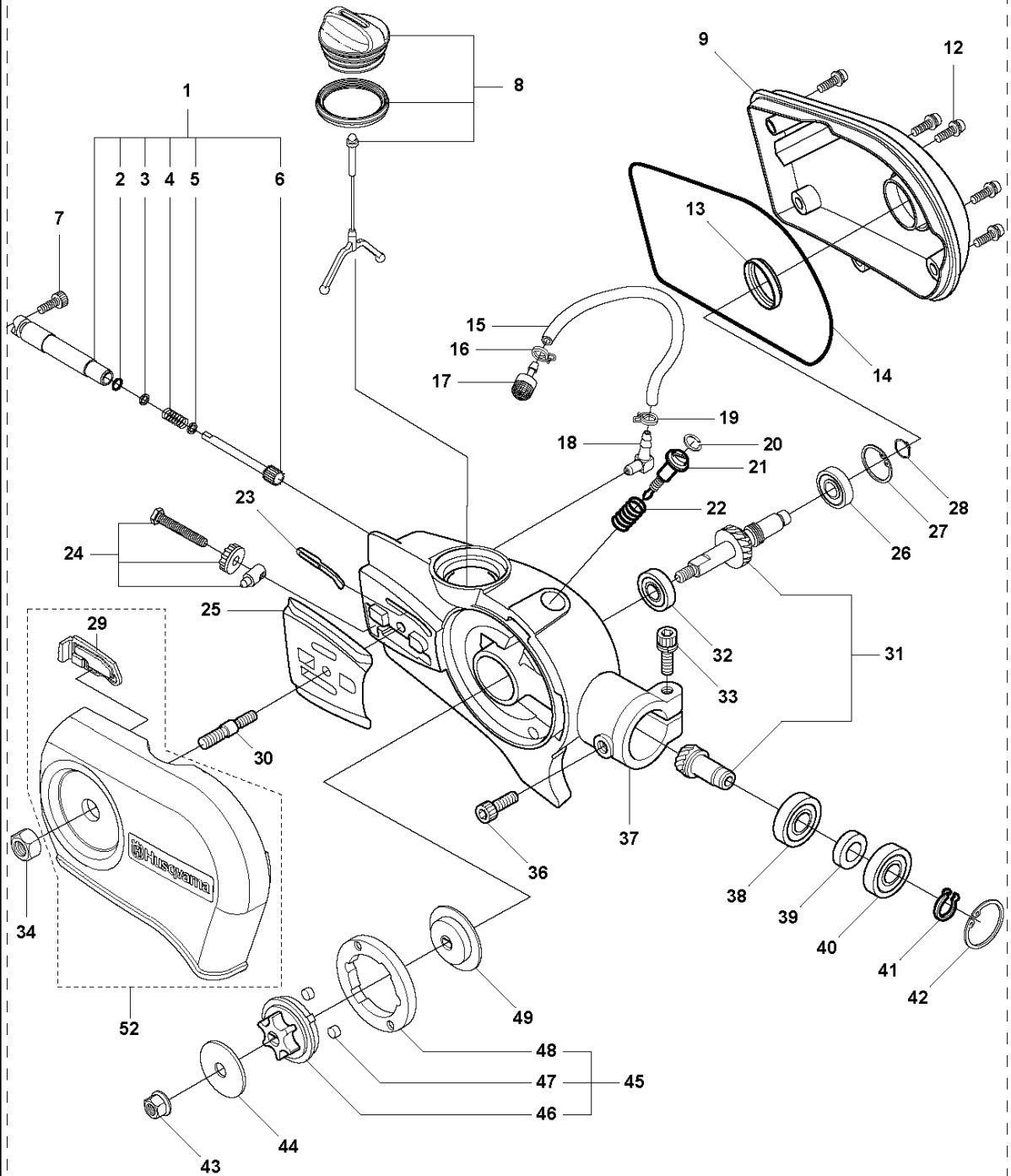
## IGNITION SYSTEM &amp; CLUTCH

525 P5S

Ref	Part No	Description	Remark	QTY	KIT
1	588 14 15-01	IGNITION COIL		1	
2	584 82 66-01	IGNITION CABLE		1	1
3	579 59 07-01	TUBE		1	1
4	586 10 72-01	SPARK PLUG CAP		1	1
5	580 63 48-01	SPRING		1	1
6	584 96 81-01	SPARK PLUG	BPMR-8Y : NGK	1	
7	521 51 58-01	BOLT		2	
8	521 76 97-01	SPACER		2	
9	577 85 17-01	SHORT CIRCUIT CABLE		1	
10	516 12 41-01	SNAP RING		1	
11	581 14 20-01	CLUTCH DRUM		1	
12	513 18 96-01	SCREW		2	
13	521 75 82-01	WASHER		2	
14	577 05 28-01	CLUTCH ASSY		1	
15	576 40 07-01	CLUTCH SPRING		1	14
16	504 11 80-01	NUT		1	
17	578 96 78-01	FLYWHEEL		1	
18	505 05 44-01	WASHER		2	

**A** 525P5S, 525P4S  
SAW HEAD

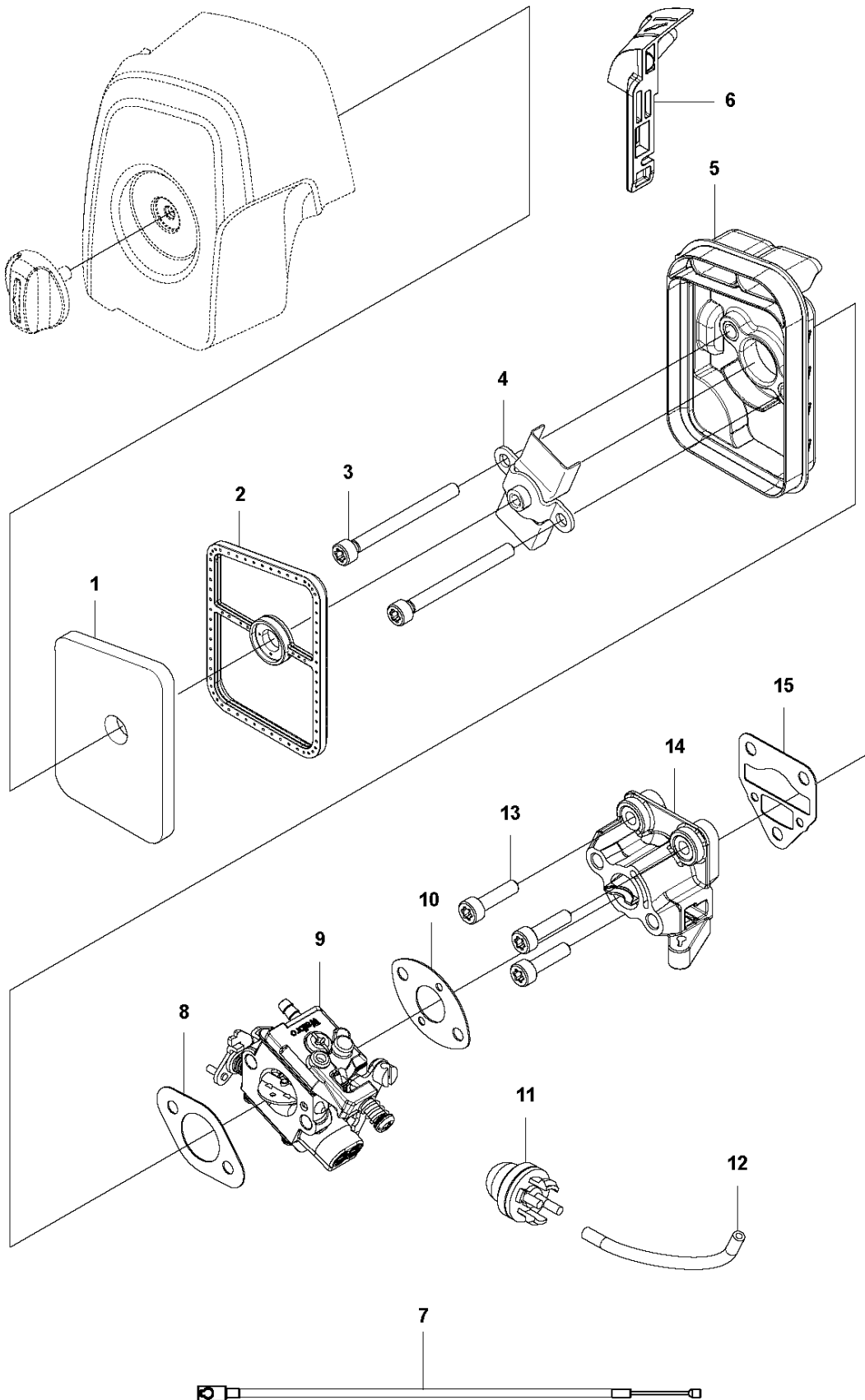
53





Ref	Part No	Description	Remark	QTY	KIT
1	537 29 92-01	OIL PUMP ASSY		1	53
2	740 42 03-00	O-RING		1	53
3	503 23 00-16	WASHER		1	53
4	503 18 49-03	SPRING		1	53
5	503 23 00-16	WASHER		1	53
6	503 80 83-02	PUMP PISTON		1	53
7	725 53 27-55	SCREW IHSCM		1	53
8	537 28 15-02	TANK CAP ASSY		1	53
9	593 62 04-01	CAP ASSY		1	53
12	725 53 29-55	SCREW IHSCM		5	53
13	537 33 01-01	SEALING		1	53
14	537 29 10-01	O-RING		1	53
15	537 29 11-01	HOSE		1	53
16	537 37 15-01	HOSE CLAMP		1	53
17	504 71 00-03	OIL PLUMMET		1	53
18	504 34 00-04	FITTING		1	53
19	537 37 15-01	HOSE CLAMP		1	53
20	537 29 09-01	CIRCLIP		1	53
21	537 05 68-01	ADJUSTER		1	53
22	503 97 82-01	SPRING		1	53
23	537 33 17-01	OIL DUCT		1	53
24	537 22 82-01	CHAIN TENSIONER		1	53
25	537 19 42-01	CHAIN GUIDE PLATE		1	53
26	738 21 00-04	BALL BEARING		1	53
27	735 31 27-10	CIRCLIP		1	53
28	735 31 12-00	CIRCLIP		1	53
29	575 55 37-01	SEALING PLATE		1	52, 53
30	576 29 30-01	BAR BOLT	M7-M8	1	53
31	537 29 90-01	GEAR WHEEL KIT		1	53
32	738 21 99-04	BALL BEARING		1	53
33	725 53 33-55	SCREW IHSCM		1	53
34	731 23 18-01	HEXAGON NUT		1	53
36	725 53 27-55	SCREW IHSCM		1	53
37	537 22 74-01	HOUSING		1	53
38	738 21 99-04	BALL BEARING		1	53
39	537 24 77-01	SPACER		1	53
40	738 21 99-04	BALL BEARING		1	53
41	735 31 11-00	CIRCLIP		1	53
42	735 31 25-10	CIRCLIP		1	53
43	731 71 16-51	HEXAGON NUT FLANGE		1	53
44	503 23 00-68	WASHER		1	53
45	537 27 18-01	FLYWHEEL		1	53
46	537 27 15-01	HUB		1	53
47	537 27 17-01	BUSHING		2	53
48	537 27 14-01	RING		1	53
49	537 27 16-01	HUB CAP		1	53
50	537 23 00-01	LABEL		1	
52	575 54 18-01	CHAIN GUARD		1	53
53	537 24 71-03	CUTTING HEAD ASSY		1	

**E** 525P5S, 525P4S  
CARBURETOR & AIR FILTER

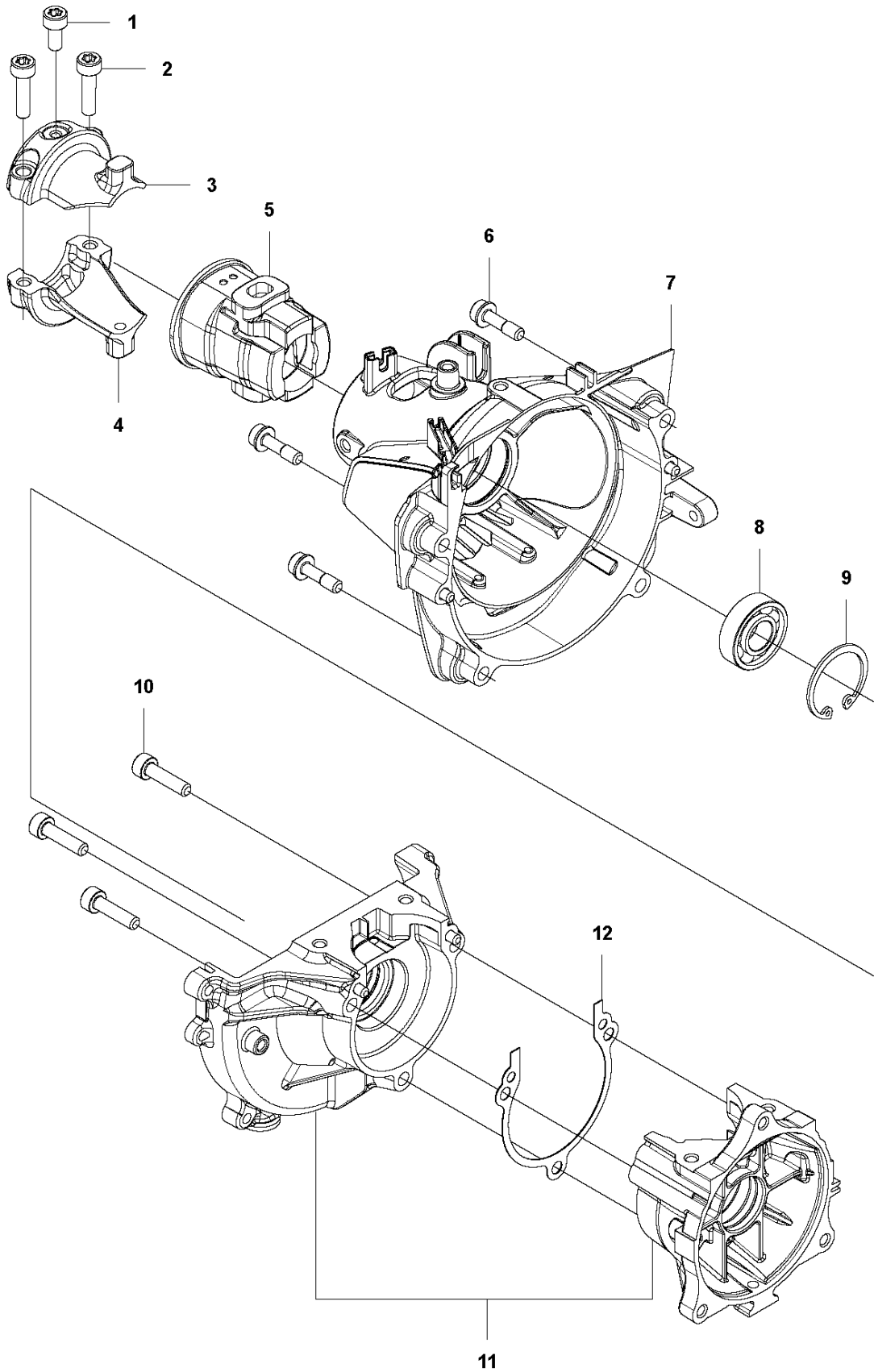


## CARBURETOR &amp; AIR FILTER

525 P5S

Ref	Part No	Description	Remark	QTY KIT
1	581 04 74-01	AIR FILTER		1
2	581 45 18-01	AIR FILTER		1
3	580 46 72-01	BOLT		2
4	580 43 79-01	PLATE		1
5	581 04 70-01	FILTER HOUSING		1
6	577 84 83-01	CHOKE CONTROL		1
7	590 90 00-01	THROTTLE CABLE		1
8	577 88 24-02	GASKET		1
9	584 90 14-01	CARBURETTOR		1
10	576 39 91-02	GASKET		1
11	503 93 66-01	PURGE		1
12	577 05 05-01	PIPE		1
13	504 11 43-01	SCREW		3
14	578 90 83-01	INSULATOR		1
15	576 39 89-01	GASKET		1

**G** 525P5S, 525P4S  
CRANKCASE



## CRANKCASE

525 P5S

Ref	Part No	Description	Remark	QTY KIT
1	525 82 49-14	SCREW ITXSCM		1
2	577 94 20-01	BOLT		2
3	576 42 07-02	BRACKET		1
4	576 42 08-02	BRACKET		1
5	576 42 05-01	CUSHION		1
6	577 81 54-01	BOLT		4
7	588 56 77-01	HOUSING		1
8	525 95 32-01	BEARING		1
9	506 60 99-01	SNAP RING		1
10	504 11 43-01	SCREW		3
11	581 30 86-02	CRANKCASE		1
12	576 39 95-02	GASKET		1