

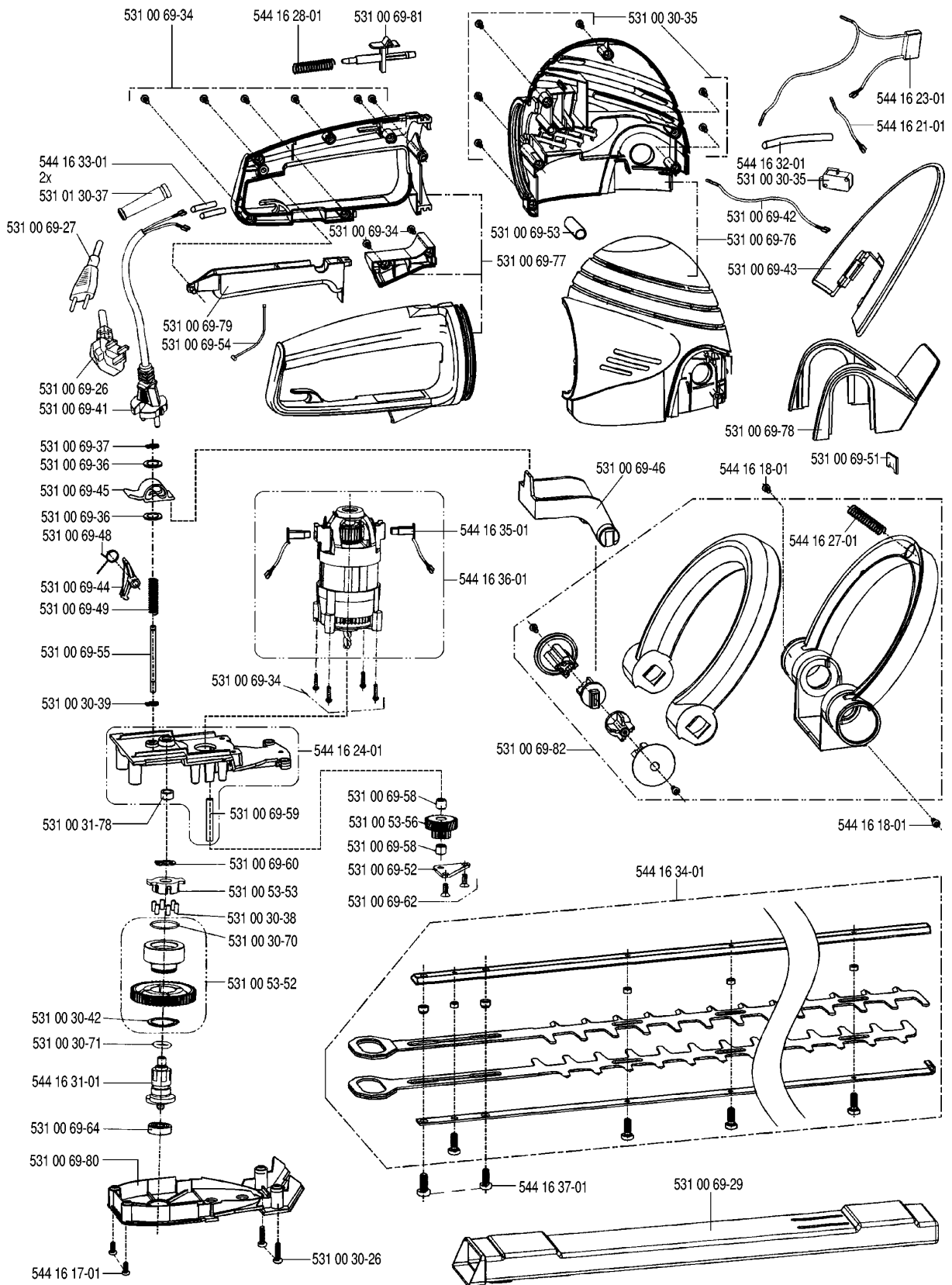


# SPARE PARTS LIST

HEDGE TRIMMERS/POLE HEDGE  
TRIMMERS

700 HD60 EL, 2005-09

### 700HD 60EL - Husqvarna 2005



## PRODUCT COMPLETE

700 HD60 EL, 2005-09

Part No	Description	Remark	QTY KIT
531 00 30-26	SCREW		1
531 00 30-35	SWITCH		1
531 00 30-35	SWITCH		1
531 00 30-38	PIN RETAINING SCREW		1
531 00 30-39	WASHER		1
531 00 30-42	RETAINER RING		1
531 00 30-70	RING		1
531 00 30-71	RING		1
531 00 31-78	BEARING		1
531 00 53-52	GEAR		1
531 00 53-53	HOLDER		1
531 00 53-56	GEAR		1
531 00 69-26	SWITCH		1
531 00 69-27	CABLE		1
531 00 69-29	PROTECTION		1
531 00 69-34	SCREW		1
531 00 69-34	SCREW		1
531 00 69-34	SCREW		1
531 00 69-36	WASHER		1
531 00 69-36	WASHER		1
531 00 69-37	RETAINER RING		1
531 00 69-41	CABLE		1
531 00 69-42	CABLE		1
531 00 69-43	PROTECTION		1
531 00 69-44	BRAKER		1
531 00 69-45	BRAKER		1
531 00 69-46	HOLDER		1
531 00 69-48	SPRING		1
531 00 69-49	SPRING		1
531 00 69-51	SEALING		1
531 00 69-52	DISC		1
531 00 69-53	SLEEVE		1
531 00 69-54	CABLE		1
531 00 69-55	PIN RETAINING SCREW		1
531 00 69-58	NEEDLE BEARING		1
531 00 69-58	NEEDLE BEARING		1
531 00 69-59	PIN RETAINING SCREW		1
531 00 69-60	RING		1
531 00 69-62	SCREW		1
531 00 69-64	BEARING		1
531 00 69-76	HOUSING		1
531 00 69-77	HANDLE		1
531 00 69-78	BRACKET		1
531 00 69-79	HOLDER		1
531 00 69-80	PLATE		1
531 00 69-81	KNOB		1
531 00 69-82	HANDLE		1
531 01 30-37	GROMMET		1
544 16 17-01	SCREW		1
544 16 18-01	SCREW		1
544 16 18-01	SCREW		1
544 16 21-01	CABLE		1
544 16 23-01	CAPACITOR		1
544 16 24-01	GEAR HOUSING		1
544 16 27-01	SPRING		1
544 16 28-01	SPRING		1
544 16 31-01	ECCENTRIC		1
544 16 32-01	INSULATING		1
544 16 33-01	INSULATING	2X	1
544 16 34-01	CUTTING BLADE		1
544 16 35-01	CARBON BRUSH		1
544 16 36-01	ENGINE		1
544 16 37-01	SCREW		1