

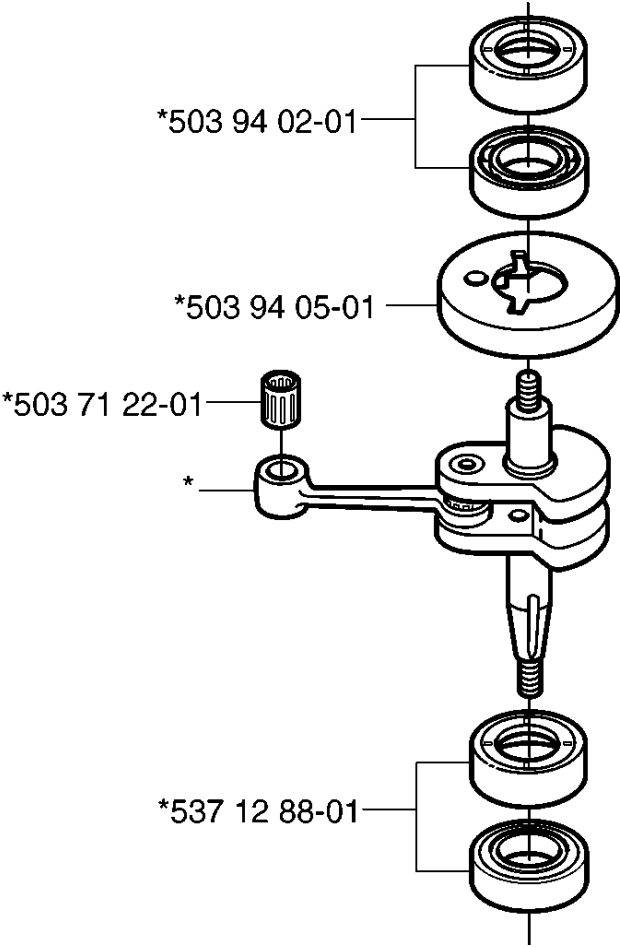


SPARE PARTS LIST

HEDGE TRIMMERS/POLE HEDGE
TRIMMERS

326 HS75 X-SERIES,
20030100001-Current

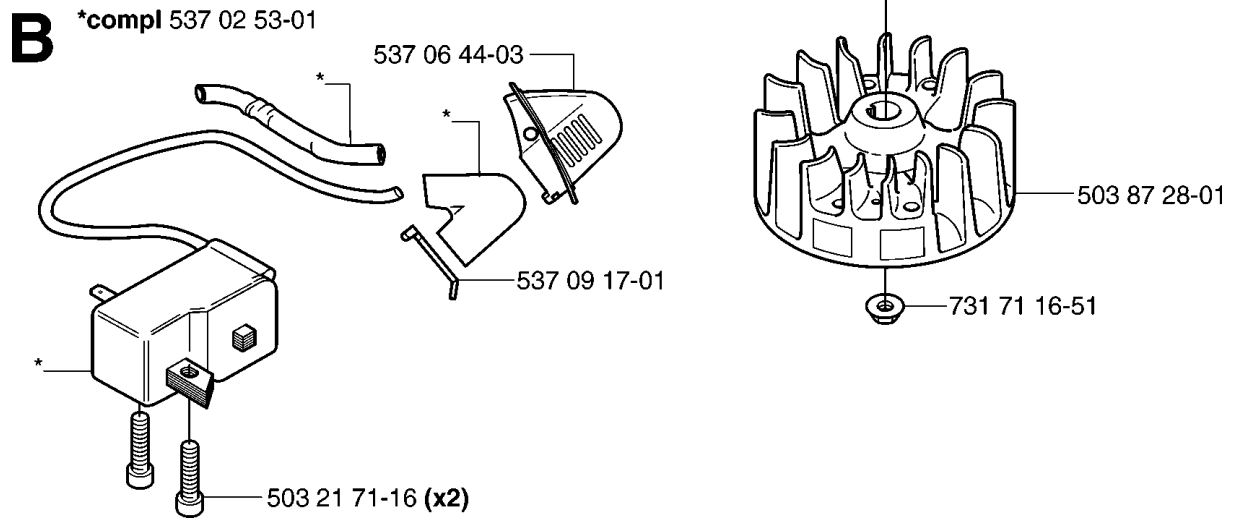
A *compl 537 12 81-73



CRANKSHAFT

326 HS75 X-SERIES, 20030100001-Current

Part No	Description	Remark	QTY KIT
503 71 22-01	BEARING		1
503 94 02-01	BEARING CAGE		1
503 94 05-01	CUP		1
537 12 81-73	CRANKSHAFT		1
537 12 88-01	BEARING CAGE		1

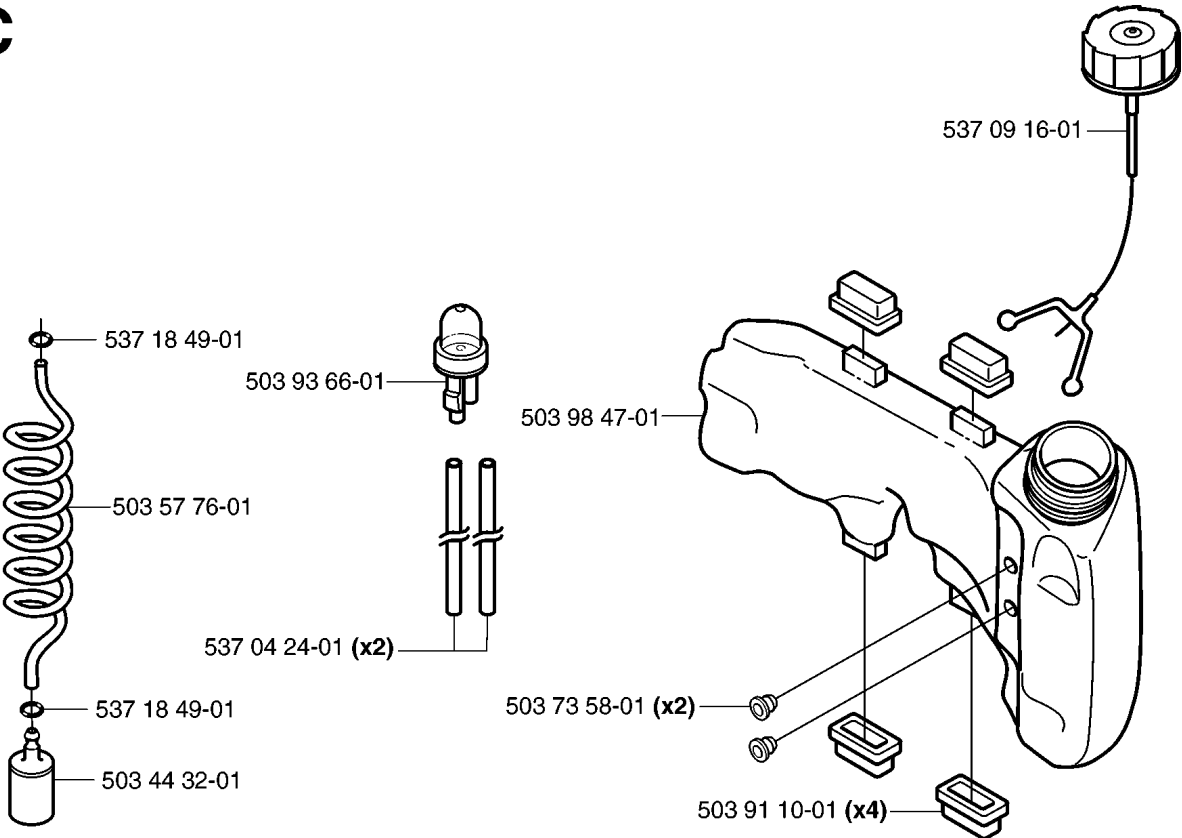


IGNITION SYSTEM

326 HS75 X-SERIES, 20030100001-Current

Part No	Description	Remark	QTY KIT
503 21 71-16	SCREW IHST		2
503 87 28-01	FLYWHEEL		1
537 02 53-01	ELECTRONIC MODULE		1
537 06 44-03	COVER		1
537 09 17-01	SECURING PLATE		1
731 71 16-51	HEXAGON NUT FLANGE		1

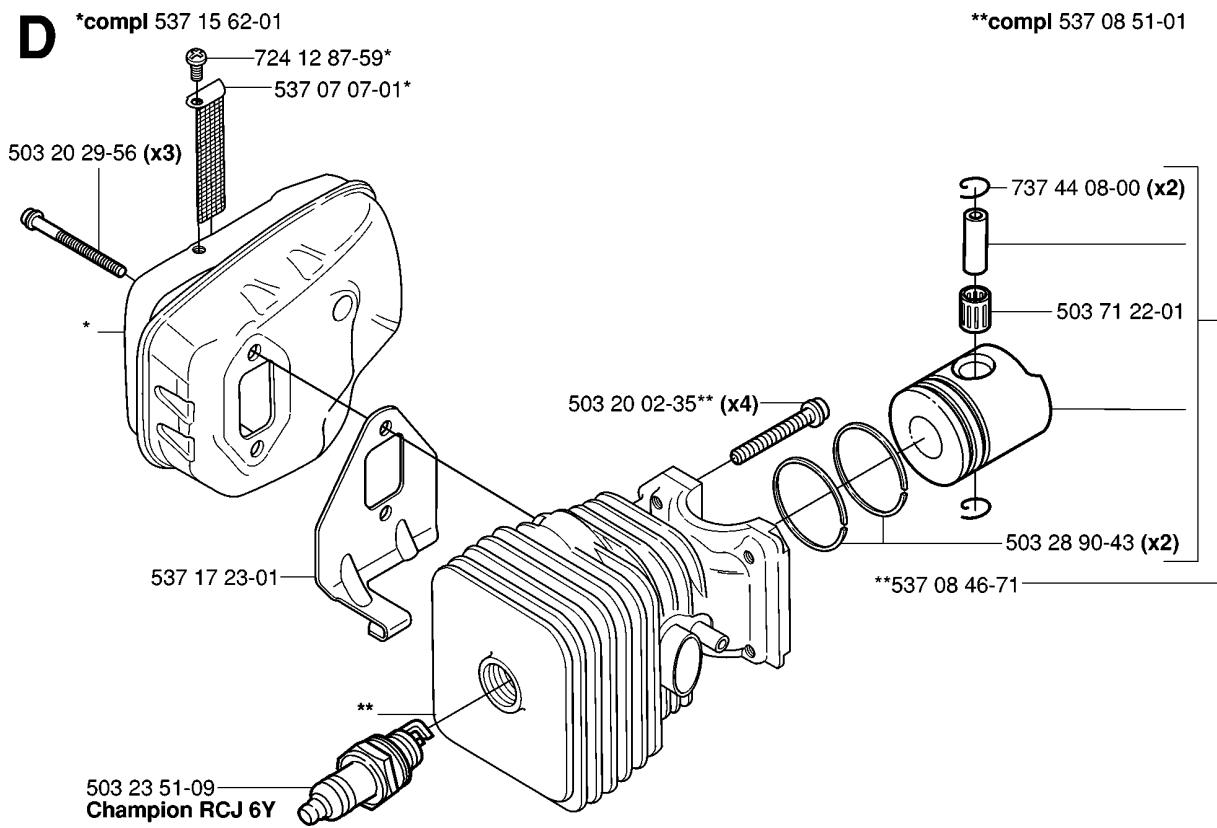
C



FUEL TANK

326 HS75 X-SERIES, 20030100001-Current

Part No	Description	Remark	QTY KIT
503 44 32-01	FUEL FILTER		1
503 57 76-01	FUEL HOSE		1
503 73 58-01	BUSHING		2
503 91 10-01	SUSPENSION		4
503 93 66-01	PURGE		1
503 98 47-01	FUEL TANK		1
537 04 24-01	FUEL HOSE		2
537 09 16-01	TANK CAP		1
537 18 49-01	O-RING		1
537 18 49-01	O-RING		1

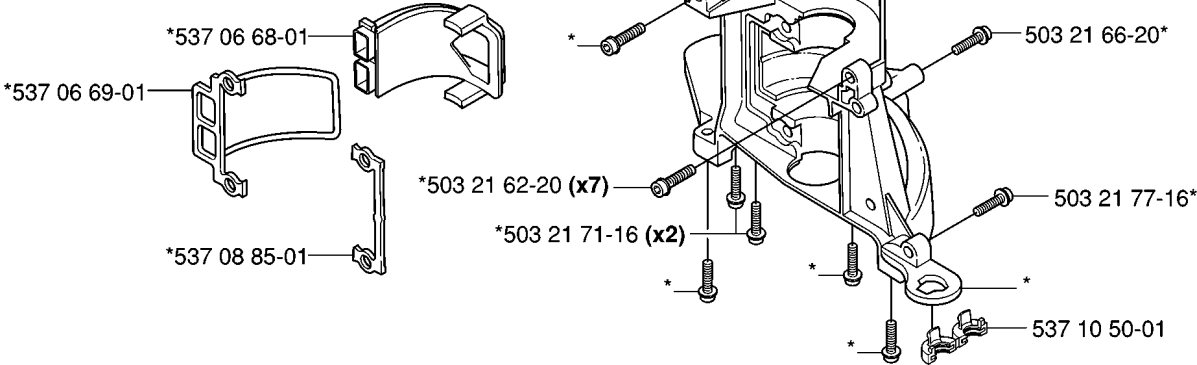


CYLINDER, PISTON & MUFFLER

326 HS75 X-SERIES, 20030100001-Current

Part No	Description	Remark	QTY KIT
503 20 02-35	SCREW IHSCFM		4
503 20 29-56	SCREW IHSCFM		3
503 23 51-09	SPARK PLUG	CHAMPION RCJ 6Y	1
503 28 90-43	PISTON RING		2
503 71 22-01	BEARING		1
537 07 07-01	SPARK ARRESTER SCREEN		1
537 08 46-71	PISTON		1
537 08 51-01	PISTON		1
537 15 62-01	MUFFLER ASSY		1
537 17 23-01	AIR CONDUCTOR		1
724 12 87-59	SCREW CRPANM		1
737 44 08-00	CIRCLIP		2

E *compl 537 08 52-01

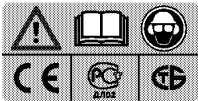
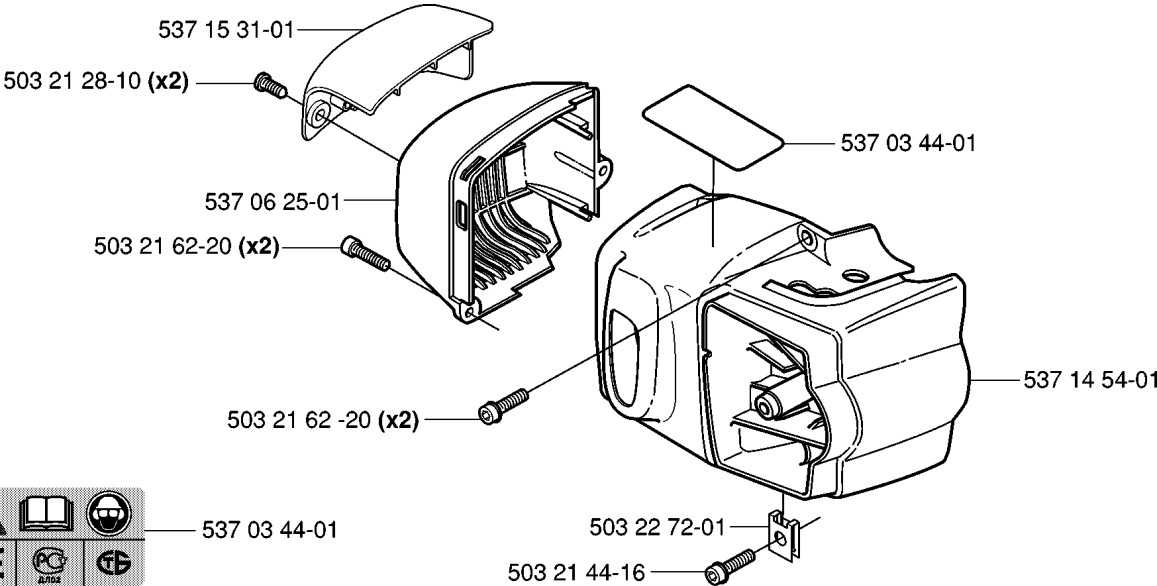


CRANKCASE

326 HS75 X-SERIES, 20030100001-Current

Part No	Description	Remark	QTY KIT
503 21 62-20	SCREW IHSCFT		7
503 21 66-20	SCREW IHSCFT		1
503 21 71-16	SCREW IHSCFT		2
503 21 77-16	SCREW IHSCFT		1
537 06 68-01	INSERT CRANKCASE		1
537 06 69-01	GASKET		1
537 08 52-01	CRANKCASE		1
537 08 85-01	GASKET		1
537 10 50-01	SNAP LOCKING		1

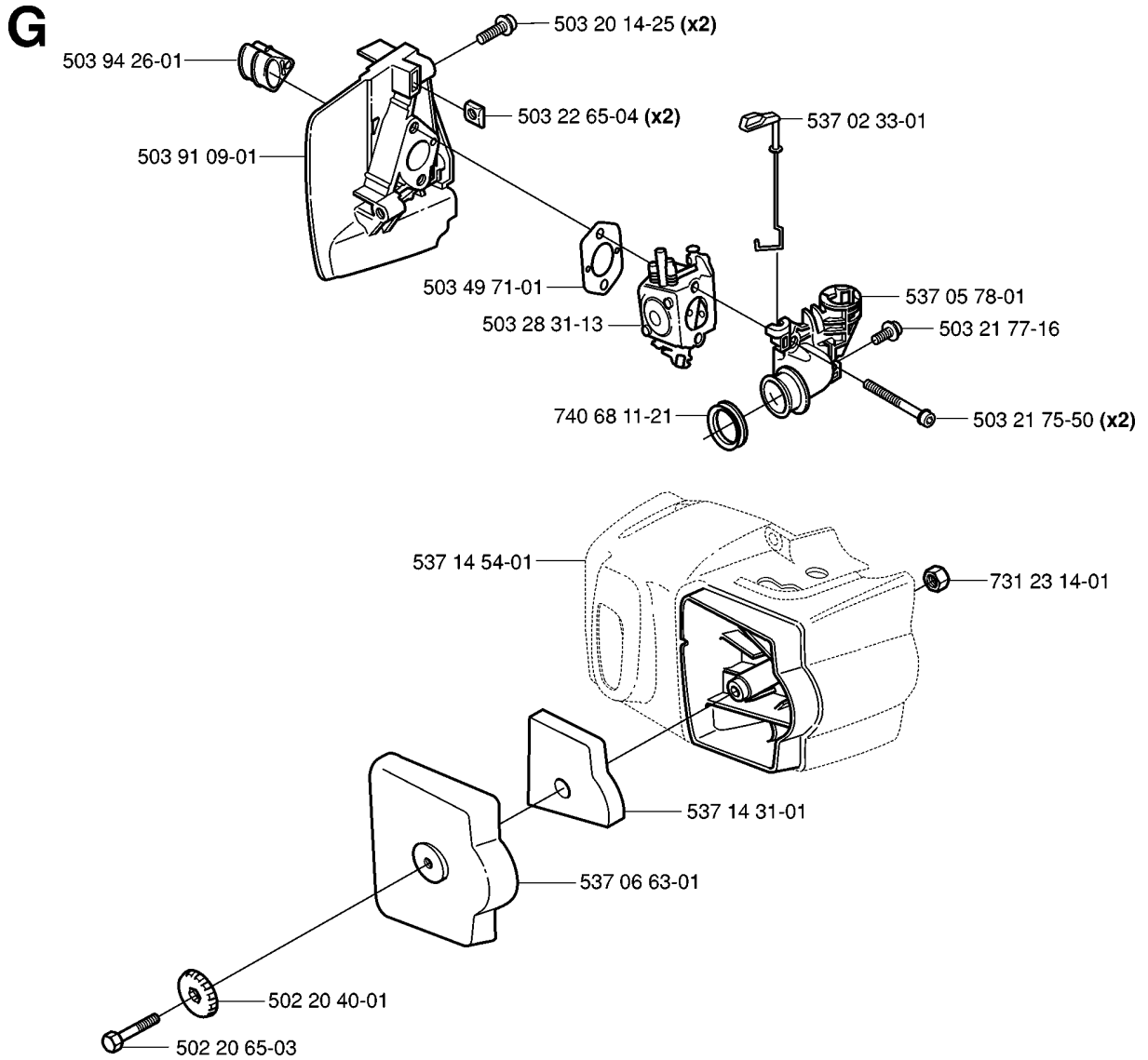
F



COVER

326 HS75 X-SERIES, 20030100001-Current

Part No	Description	Remark	QTY KIT
503 21 28-10	SCREW CCRPANT		2
503 21 44-16	SCREW IHSCFTO		1
503 21 62-20	SCREW IHSCFT		2
503 21 62-20	SCREW IHSCFT		2
503 22 72-01	SPEED NUT		1
537 03 44-01	LABEL		1
537 03 44-01	LABEL		1
537 06 25-01	HEAT PROTECTOR		1
537 14 54-01	CYLINDER COVER		1
537 15 31-01	HEAT SHIELD		1

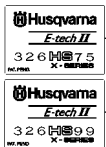


CARBURETOR & AIR FILTER

326 HS75 X-SERIES, 20030100001-Current

Part No	Description	Remark	QTY KIT
502 20 40-01	KNOB		1
502 20 65-03	SCREW EHHM		1
503 20 14-25	SCREW IHSCFMO		2
503 21 75-50	SCREW IHSCFT		2
503 21 77-16	SCREW IHSC T		1
503 22 65-04	SQUARE NUT		2
503 28 31-13	CARBURETTOR		1
503 49 71-01	GASKET		1
503 91 09-01	INSULATION WALL		1
503 94 26-01	INLET PIPE		1
537 02 33-01	CHOKE CONTROL		1
537 05 78-01	BRACKET		1
537 06 63-01	FILTER COVER		1
537 14 31-01	AIR FILTER ASSY		1
537 14 54-01	CYLINDER COVER		1
731 23 14-01	HEXAGON NUT		1
740 68 11-21	V-RING		1

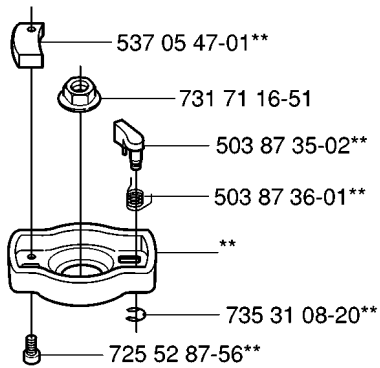
H *compl 503 85 28-02



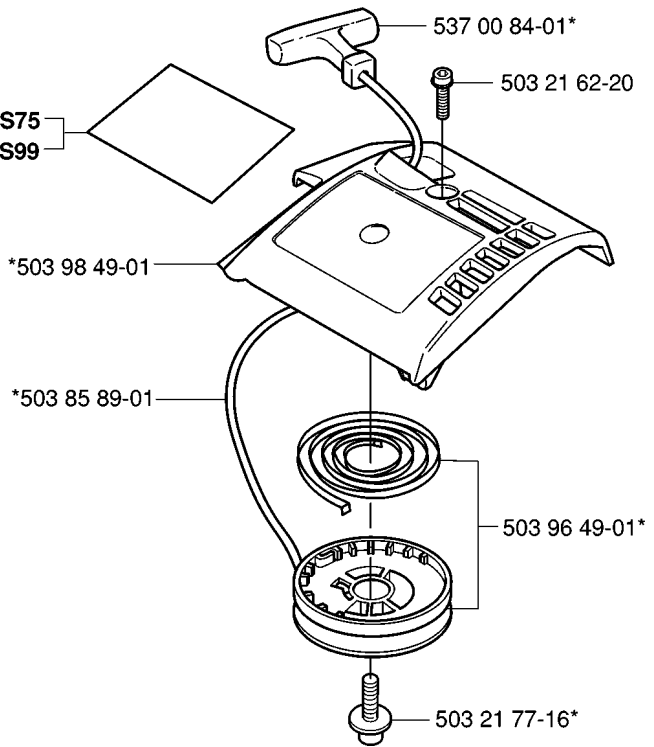
537 17 22-10 326HS75

537 17 22-11 326HS99

**compl 503 87 33-03



537 17 22-10 326HS75
537 17 22-11 326HS99

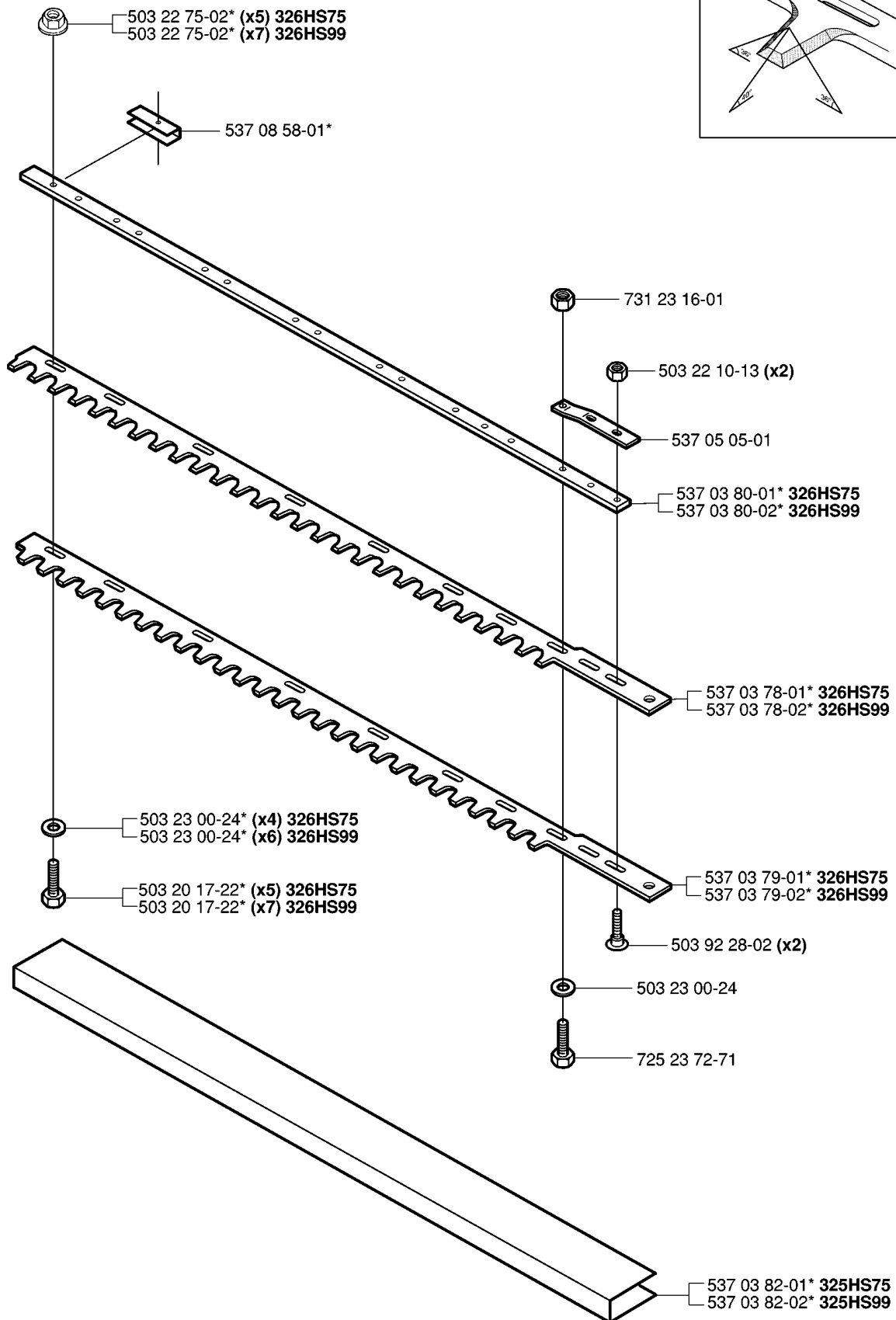
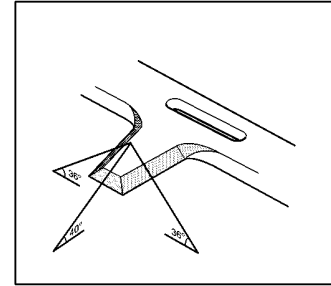


STARTER

326 HS75 X-SERIES, 20030100001-Current

Part No	Description	Remark	QTY KIT
503 21 62-20	SCREW IHSCFT		1
503 21 77-16	SCREW IHSCFT		1
503 85 28-02	STARTER ASSY		1
503 85 89-01	STARTER ROPE		1
503 87 33-03	BRIDGE		1
503 87 35-02	STARTER PAWL		1
503 87 36-01	SPRING		1
503 96 49-01	STARTER PULLEY		1
503 98 49-01	STARTER HOUSING		1
537 00 84-01	STARTER HANDLE		1
537 05 47-01	COUNTERWEIGHT		1
537 17 22-10	LABEL	326HS75	1
537 17 22-10	LABEL	326HS75	1
537 17 22-11	LABEL	326HS99	1
537 17 22-11	LABEL	326HS99	1
725 52 87-56	SCREW IHSCM		1
731 71 16-51	HEXAGON NUT FLANGE		1
735 31 08-20	E-CLIP		1

J *compl 537 03 77-01 **326HS75**
 *compl 537 03 77-02 **326HS99**

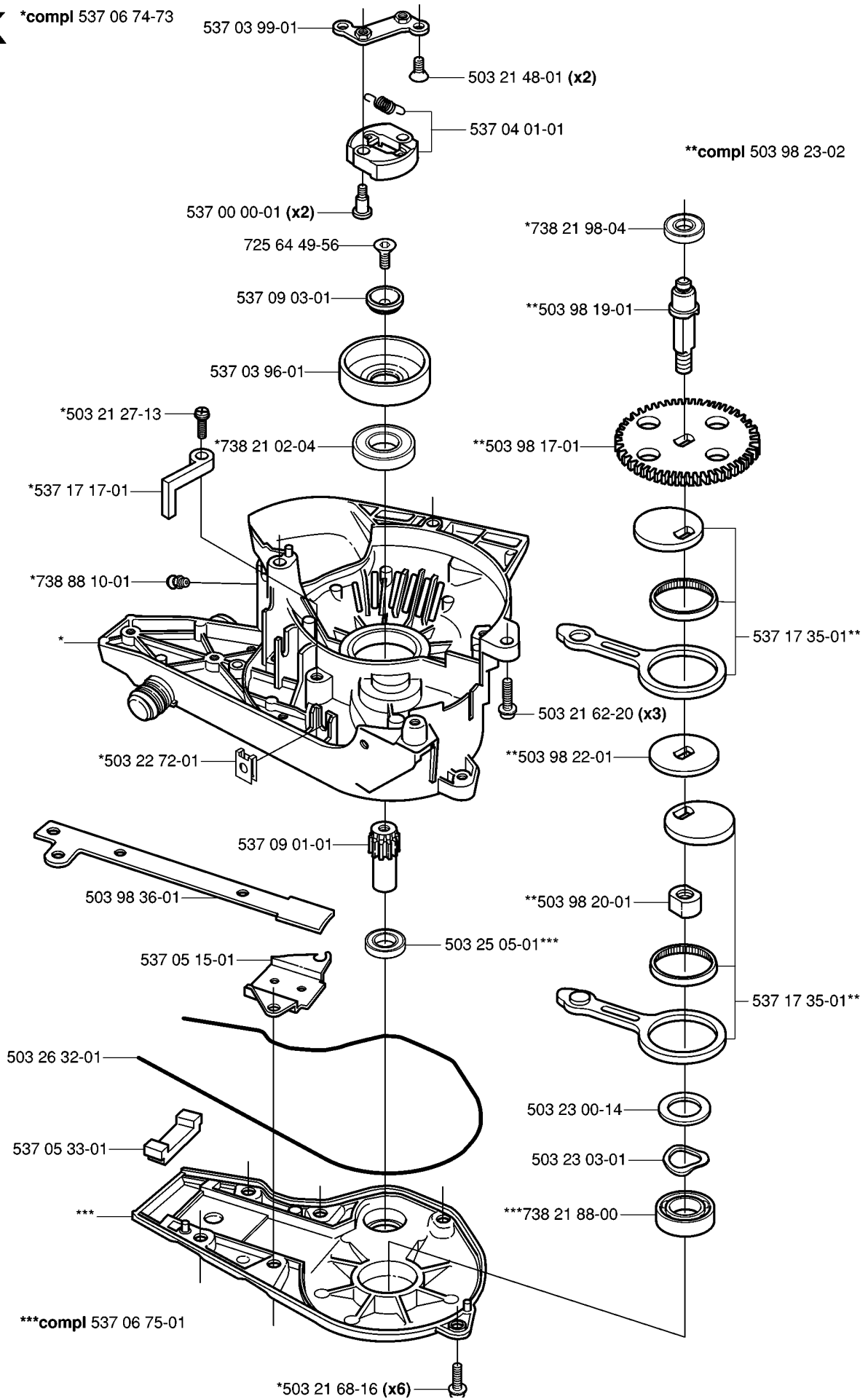


CUTTING EQUIPMENT

326 HS75 X-SERIES, 20030100001-Current

Part No	Description	Remark	QTY KIT
503 20 17-22	SCREW EHHM	326HS75	5
503 20 17-22	SCREW EHHM	326HS99	7
503 22 10-13	HEXAGON NUT		2
503 22 75-02	NUT	326HS75	5
503 22 75-02	NUT	326HS99	7
503 23 00-24	WASHER	326HS75	4
503 23 00-24	WASHER	326HS99	6
503 23 00-24	WASHER		1
503 92 28-02	SCREW		2
537 03 77-01	CUTTING DECK	326HS75	1
537 03 77-02	CUTTING DECK	326HS99	1
537 03 78-01	BLADE	326HS75	1
537 03 78-02	BLADE	326HS99	1
537 03 79-01	BLADE	326HS75	1
537 03 79-02	BLADE	326HS99	1
537 03 80-01	BEAM	326HS75	1
537 03 80-02	BEAM	326HS99	1
537 03 82-01	TRANSPORT GUARD	325HS75	1
537 03 82-02	TRANSPORT GUARD	325HS99	1
537 05 05-01	BASEPLATE		1
537 08 58-01	BLADE		1
725 23 72-71	SCREW EHHM		1
731 23 16-01	HEXAGON NUT		1

K *compl 537 06 74-73

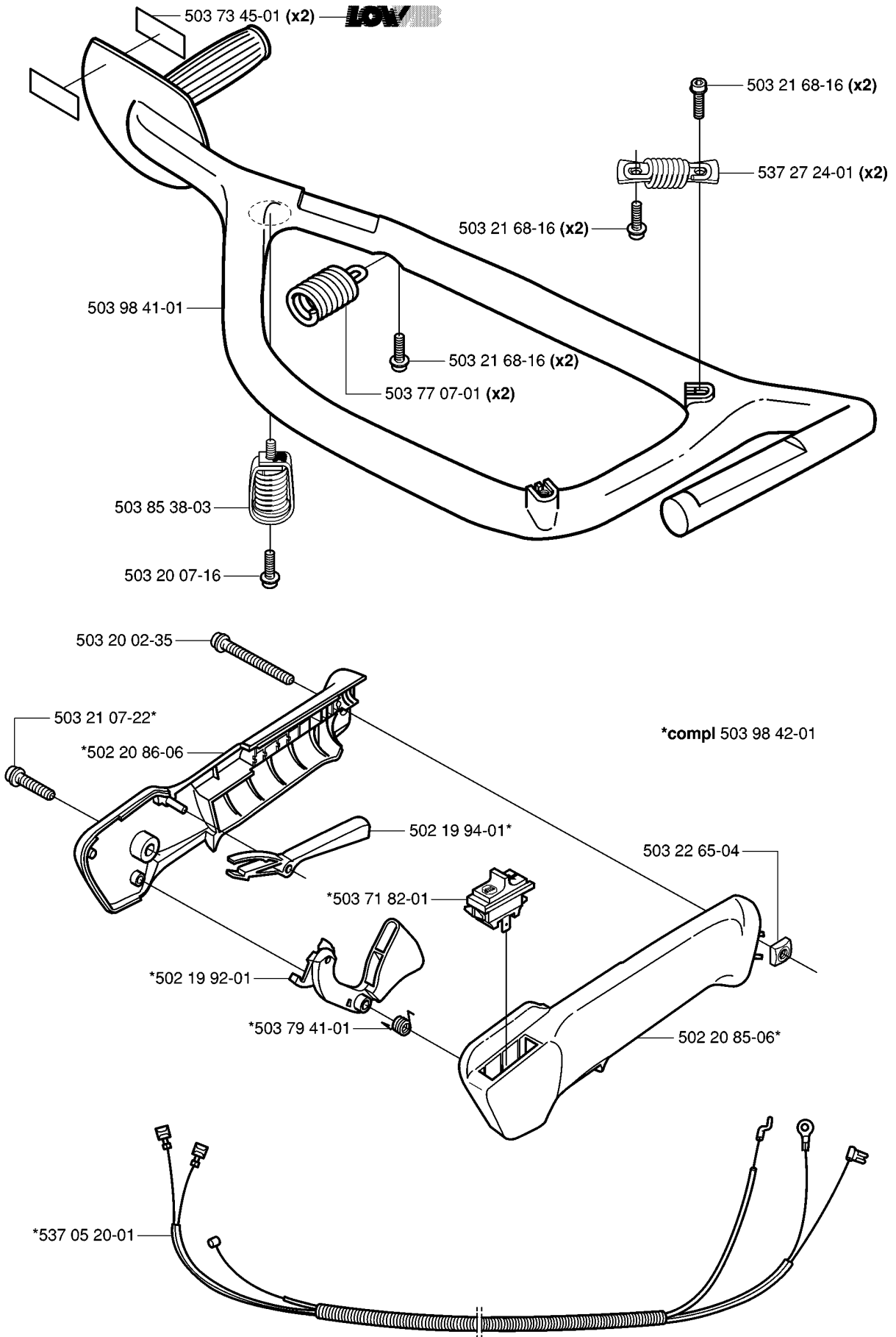


GEAR HOUSING

326 HS75 X-SERIES, 20030100001-Current

Part No	Description	Remark	QTY KIT
503 21 27-13	SCREW CCRPANT		1
503 21 48-01	SCREW IHCSFM		2
503 21 62-20	SCREW IHSCFT		3
503 21 68-16	SCREW IHST		6
503 22 72-01	SPEED NUT		1
503 23 00-14	WASHER		1
503 23 03-01	WASHER		1
503 25 05-01	BALL BEARING		1
503 26 32-01	O-RING		1
503 98 17-01	GEAR RIM		1
503 98 19-01	DRIVE SHAFT		1
503 98 20-01	NUT		1
503 98 22-01	SPACER		1
503 98 23-02	DRIVE SHAFT		1
503 98 36-01	WEAR PLATE		1
537 00 00-01	SCREW		2
537 03 96-01	CLUTCH DRUM		1
537 03 99-01	CLUTCH HUB		1
537 04 01-01	CLUTCH ASSY		1
537 05 15-01	GUIDE PLATE		1
537 05 33-01	SEALING		1
537 06 74-73	GEAR HOUSING		1
537 06 75-01	HUB CAP		1
537 09 01-01	GEAR WHEEL SHAFT		1
537 09 03-01	WASHER		1
537 17 17-01	BRACKET		1
537 17 35-01	CONNECTING ROD		1
537 17 35-01	CONNECTING ROD		1
725 64 49-56	SCREW IHCSFM		1
738 21 02-04	BALL BEARING		1
738 21 88-00	BALL BEARING		1
738 21 98-04	BALL BEARING		1
738 88 10-01	LUBRICATION NIPPLE		1

L



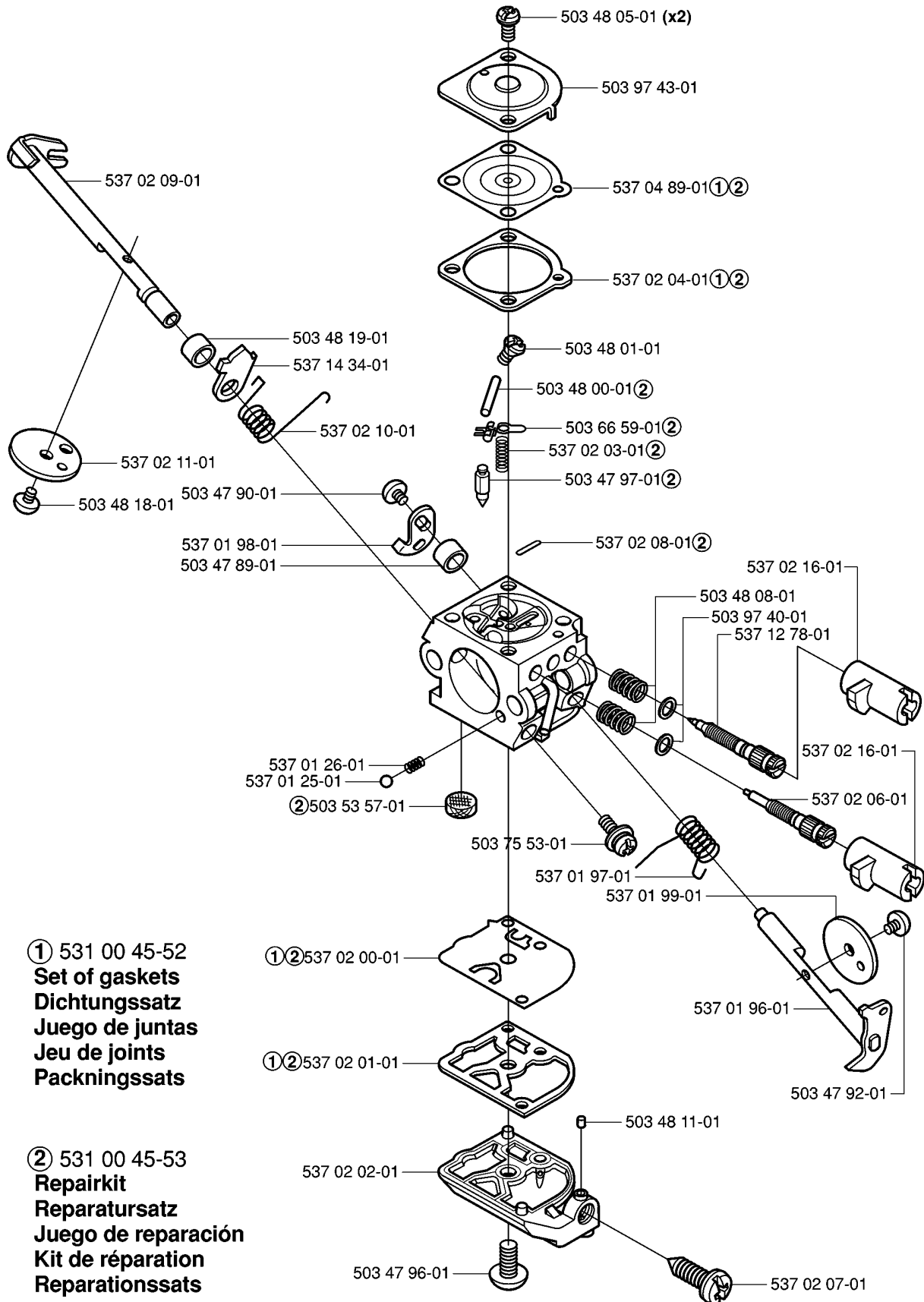
HANDLE & CONTROLS

326 HS75 X-SERIES, 20030100001-Current

Part No	Description	Remark	QTY KIT
502 19 92-01	THROTTLE TRIGGER		1
502 19 94-01	THROTTLE LOCKOUT		1
502 20 85-06	HANDLE HALF		1
502 20 86-06	HANDLE HALF		1
503 20 02-35	SCREW IHSCFM		1
503 20 07-16	SCREW IHSCFM		1
503 21 07-22	SCREW IHSCCT		1
503 21 68-16	SCREW IHSCCT		2
503 21 68-16	SCREW IHSCCT		2
503 21 68-16	SCREW IHSCCT		2
503 22 65-04	SQUARE NUT		1
503 71 82-01	SWITCH		1
503 73 45-01	LABEL		2
503 77 07-01	ANTIVIBRATION ELEMENT		2
503 79 41-01	RECOIL SPRING		1
503 85 38-03	ANTIVIBRATION ELEMENT		1
503 98 41-01	FRAME		1
503 98 42-01	HANDLE		1
537 05 20-01	WIRING ASSY		1
537 27 24-01	ANTIVIBRATION ELEMENT		2

M compl 503 28 31-13

ZAMA C1Q - EL 14

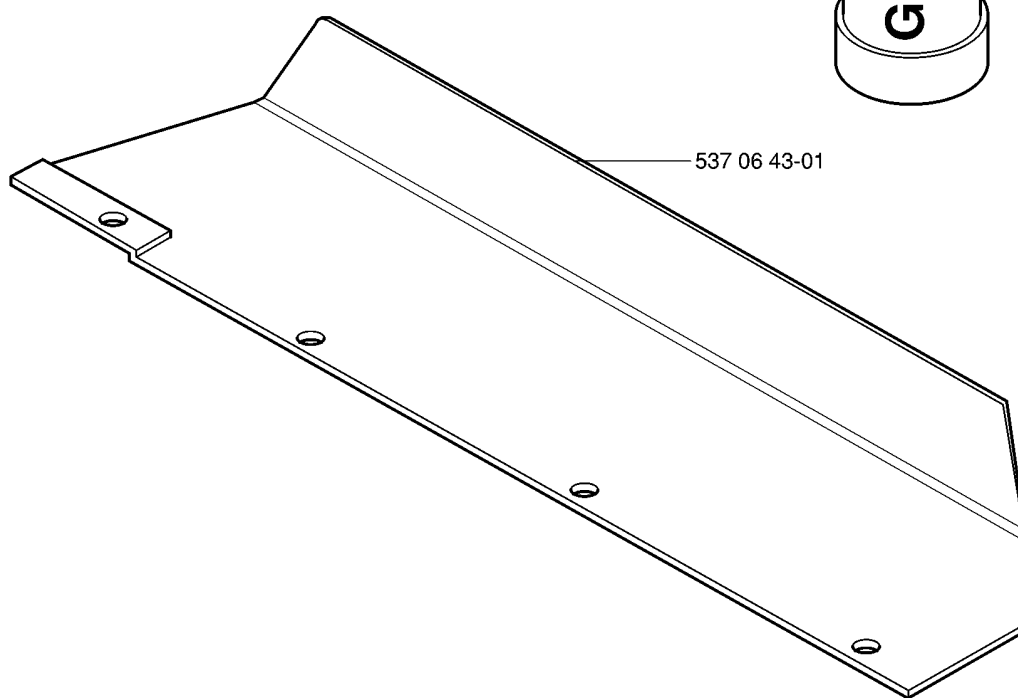
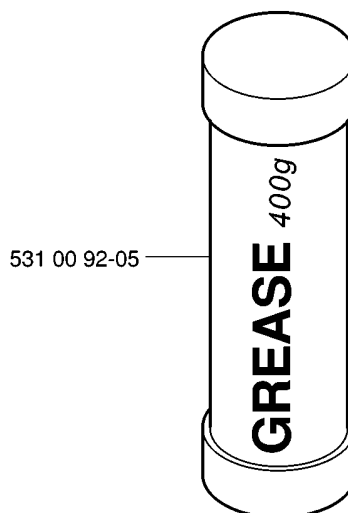
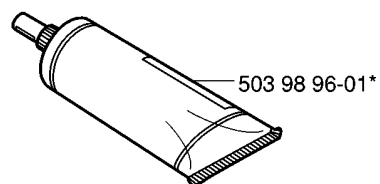
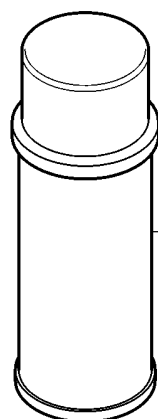
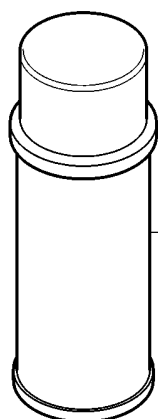
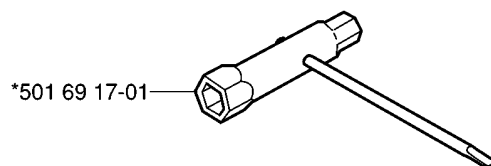
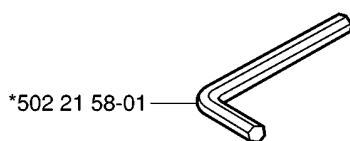


CARBURETOR DETAILS

326 HS75 X-SERIES, 20030100001-Current

Part No	Description	Remark	QTY KIT
503 28 31-13	CARBURETTOR		1
503 47 89-01	COLLAR		1
503 47 90-01	SCREW		1
503 47 92-01	SCREW		1
503 47 96-01	SCREW		1
503 47 97-01	VALVE	531 00 45-53 REPAIRKIT	1
503 48 00-01	PIN RETAINING SCREW	531 00 45-53 REPAIRKIT	1
503 48 01-01	SCREW		1
503 48 05-01	SCREW		2
503 48 08-01	SPRING		1
503 48 11-01	PIECE		1
503 48 18-01	SCREW		1
503 48 19-01	COLLAR		1
503 53 57-01	STRAINER	531 00 45-53 REPAIRKIT	1
503 66 59-01	LEVER	531 00 45-53 REPAIRKIT	1
503 75 53-01	SCREW		1
503 97 40-01	WASHER		1
503 97 43-01	COVER		1
537 01 25-01	BALL		1
537 01 26-01	SPRING		1
537 01 96-01	SHAFT ASSY		1
537 01 97-01	SPRING		1
537 01 98-01	LEVER		1
537 01 99-01	VALVE		1
537 02 00-01	DIAPHRAGM PUMP	531 00 45-52 SET OF GASKETS 531 00 45-53 REPAIRKIT	1
537 02 01-01	GASKET	531 00 45-52 SET OF GASKETS 531 00 45-53 REPAIRKIT	1
537 02 02-01	COVER		1
537 02 03-01	SPRING	531 00 45-53 REPAIRKIT	1
537 02 04-01	GASKET	531 00 45-52 SET OF GASKETS 531 00 45-53 REPAIRKIT	1
537 02 06-01	SCREW		1
537 02 07-01	SCREW		1
537 02 08-01	PLUG	531 00 45-53 REPAIRKIT	1
537 02 09-01	SHAFT ASSY		1
537 02 10-01	SPRING		1
537 02 11-01	VALVE		1
537 02 16-01	LIMITER CAP		1
537 02 16-01	LIMITER CAP		1
537 04 89-01	DIAPHRAGM	531 00 45-52 SET OF GASKETS 531 00 45-53 REPAIRKIT	1
537 12 78-01	SCREW		1
537 14 34-01	LEVER		1

N Accessories
Zubehöre
Accessoires
Acessorios
Tillbehör
*compl 502 21 60-09



ACCESSORIES

326 HS75 X-SERIES, 20030100001-Current

Part No	Description	Remark	QTY KIT
501 69 17-01	COMBINATION WRENCH		1
502 21 58-01	WRENCH		1
502 21 60-09	ACCESSORY BAG		1
503 98 96-01	GREASE		1
531 00 75-12	GREASE	UL21	1
531 00 75-13	GREASE	UL22	1
531 00 92-05	GREASE		1
537 06 43-01	PLATE		1