

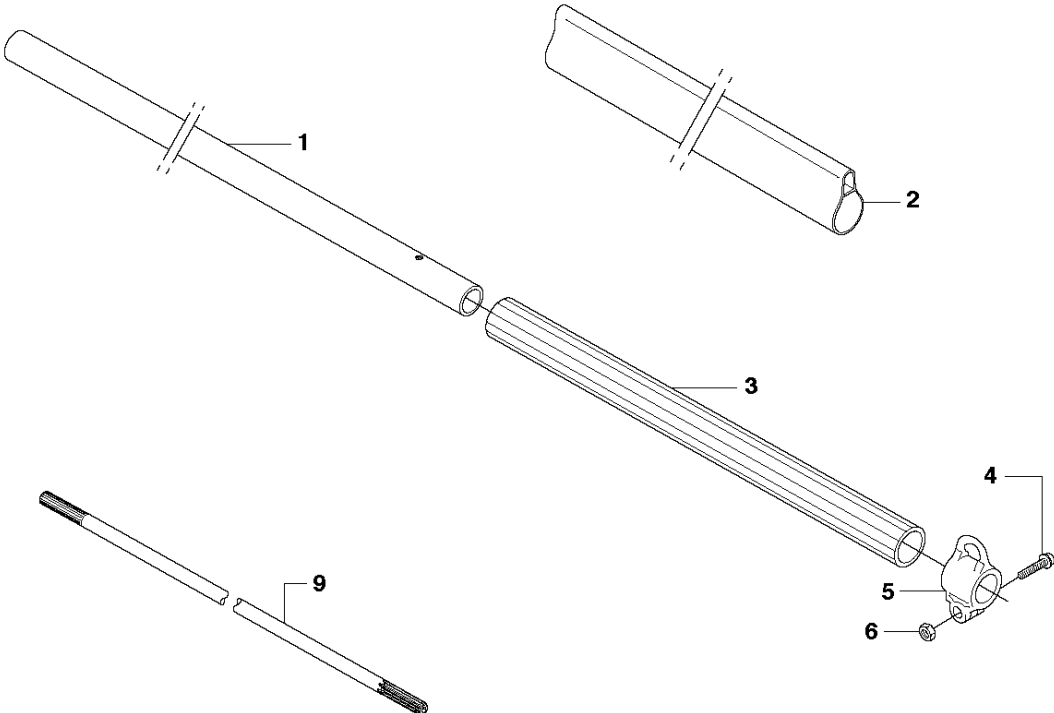


SPARE PARTS LIST

HEDGE TRIMMERS/POLE HEDGE
TRIMMERS

325 HE4, 966787701 from
20150100001-current

C2 325HE4
SHAFT



10

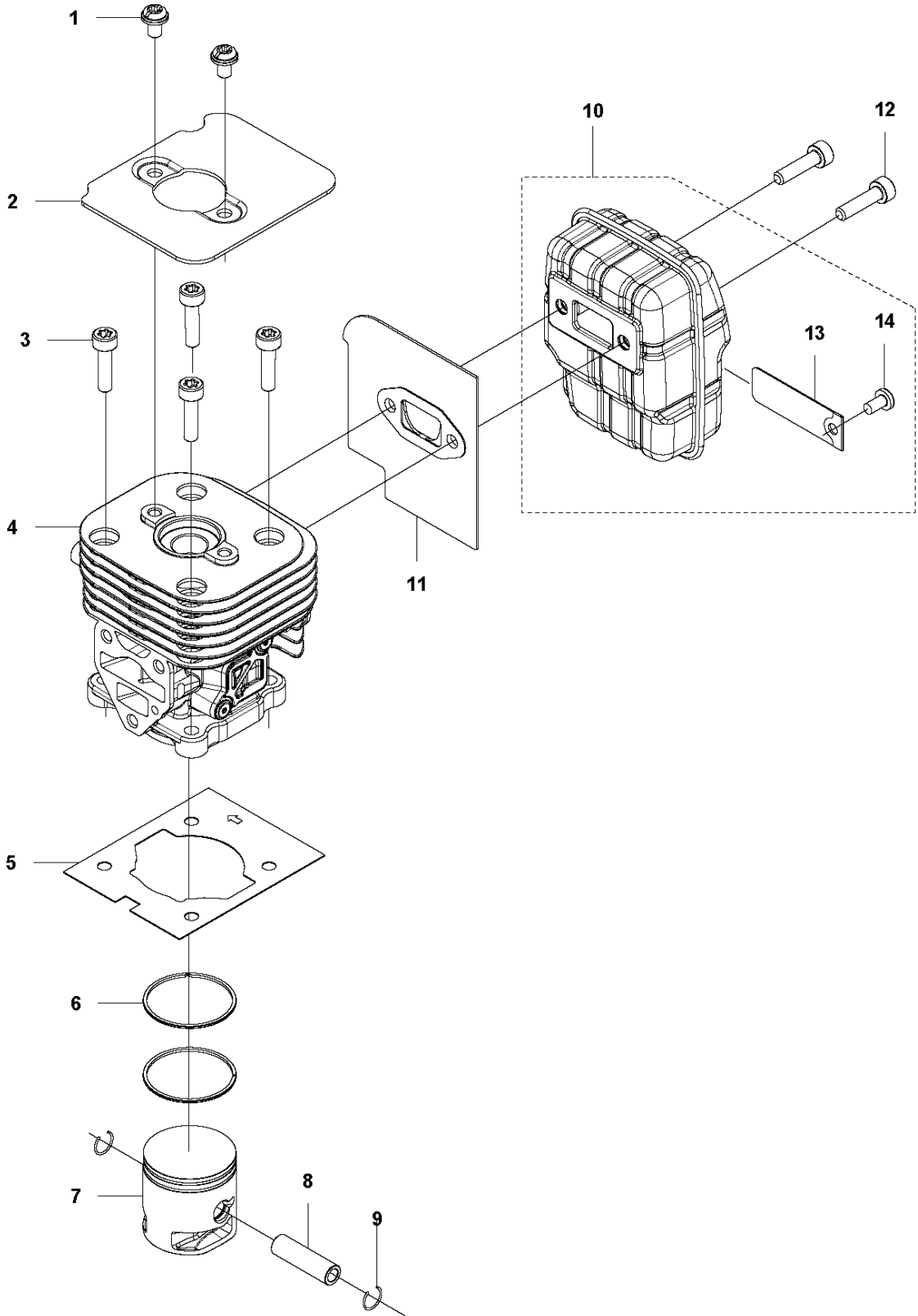
A vertical block of safety and compliance icons. From top to bottom: a warning triangle with an exclamation mark, a person with a hand, a person with a hand and a gear, a CE marking, and a RoHS marking. The text 'EN1465' is visible between the person and gear icons.

HANDLE

325 HE4, 966787701 from 20150100001-current

Ref	Part No	Description	Remark	QTY KIT
1	584 97 79-01	TUBE		1
2	537 41 64-03	COVER		1
3	537 08 55-02	HANDLE		1
4	525 75 51-01	SCREW ITXSCFM		1
5	503 94 10-01	HOOK		1
6	731 23 14-01	HEXAGON NUT		1
9	581 81 51-01	DRIVE SHAFT		1
10	585 94 40-01	DECAL		1

M 325HE3, 325HE4
CYLINDER PISTON & MUFFLER

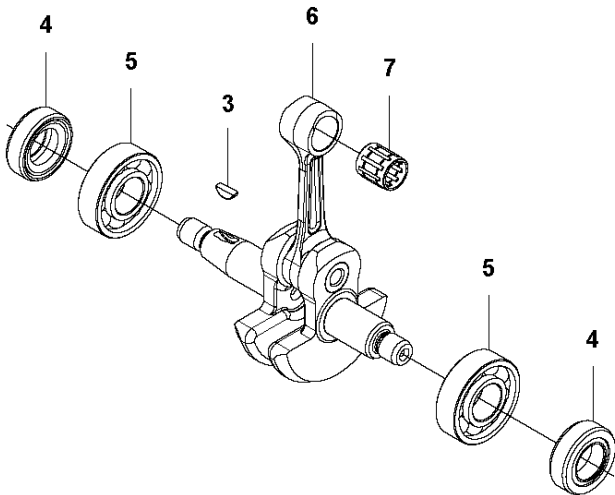
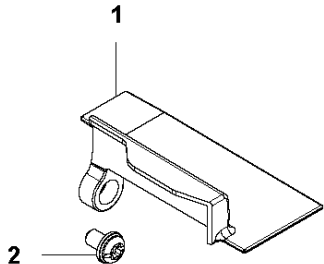


CYLINDER, PISTON & MUFFLER

325 HE4, 966787701 from 20150100001-current

Ref	Part No	Description	Remark	QTY	KIT
1	544 25 68-01	SCREW		2	
2	578 78 53-01	PLATE		1	
3	504 11 43-01	SCREW		4	
4	577 97 90-01	CYLINDER		1	
5	576 39 87-02	GASKET		1	
6	506 61 81-01	RING		2	
7	577 91 74-01	PISTON		1	
8	505 04 07-01	PIN		1	
9	505 04 52-01	RING		2	
10	585 24 86-01	MUFFLER		1	
10	580 52 36-01	MUFFLER ASSY	USA	1	
10	585 03 29-01	MUFFLER ASSY	Australia / New Zealand	1	
11	578 40 81-01	GASKET		1	
12	504 11 43-01	SCREW		2	
13	580 51 44-01	SPARK ARRESTER		1	10
14	729 57 74-05	SCREW CRPANT		1	10

N 325HE3, 325HE4
CRANKSHAFT

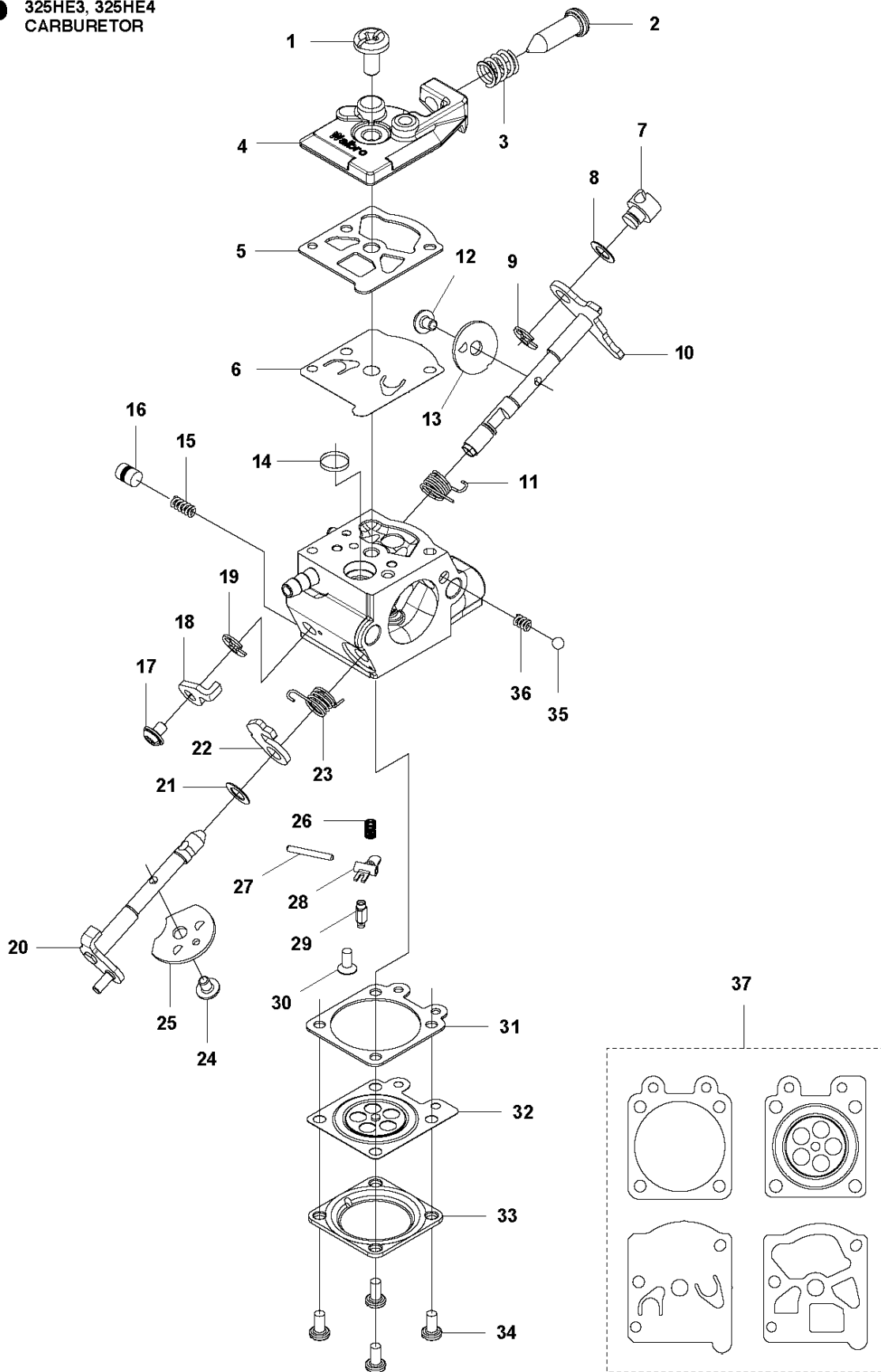


CRANKSHAFT

325 HE4, 966787701 from 20150100001-current

Ref	Part No	Description	Remark	QTY KIT
1	576 40 46-01	MUFFLER		1
2	544 25 68-01	SCREW		1
3	506 68 94-01	KEY		1
4	504 12 15-01	SEALING		2
5	506 61 03-01	BEARING		2
6	579 22 32-01	CRANKSHAFT		1
7	576 40 27-01	BEARING		1

P 325HE3, 325HE4
CARBURETOR

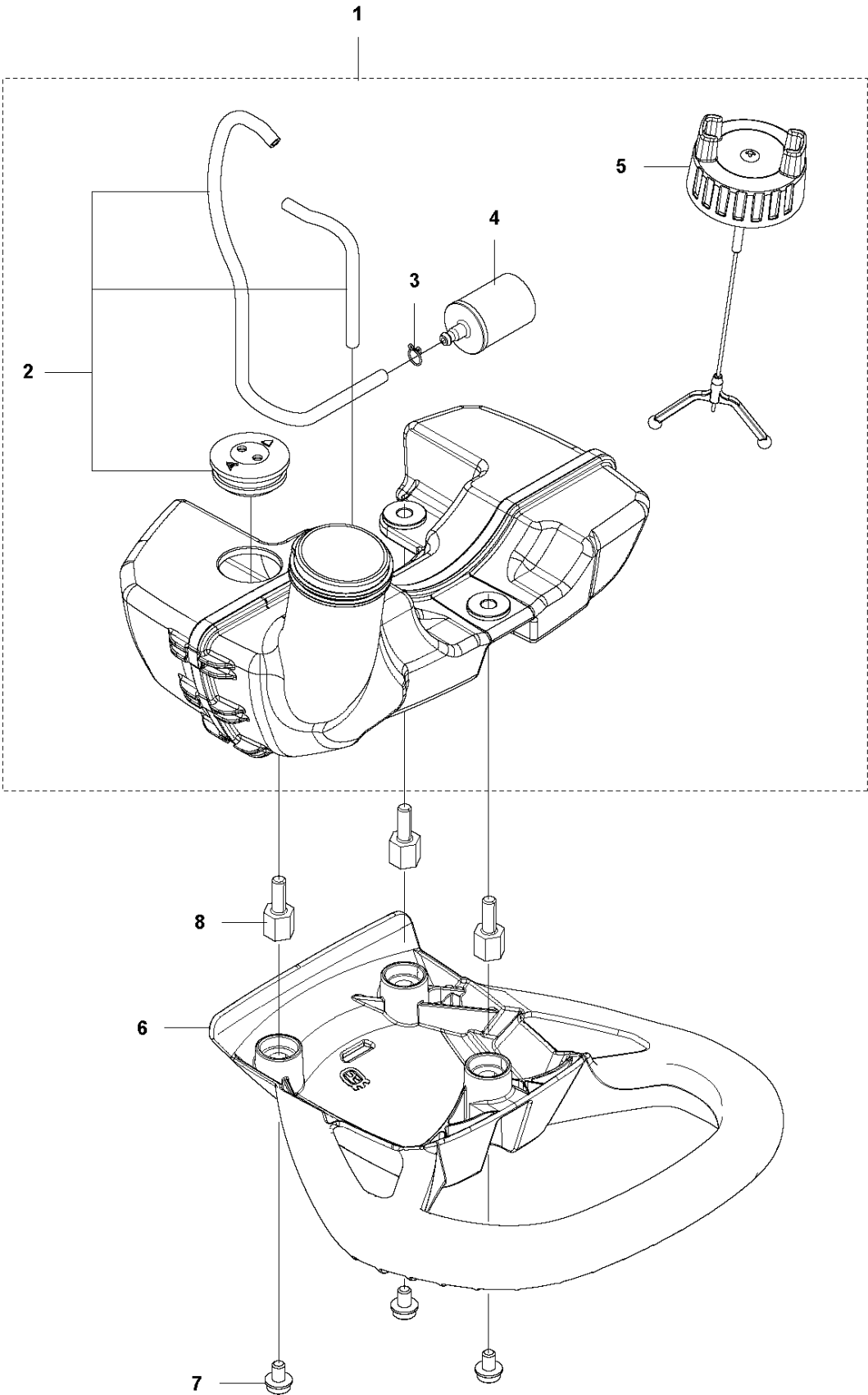


CARBURETOR

325 HE4, 966787701 from 20150100001-current

Ref	Part No	Description	Remark	QTY KIT
1	520 97 63-01	SCREW		1
2	577 81 57-01	SCREW		1
3	513 59 32-01	SPRING		1
4	579 19 06-01	COVER		1
5	520 95 48-01	GASKET		1
6	502 21 36-01	DIAPHRAGM PUMP		1
7	513 40 08-01	SWIVEL		1
8	516 52 42-01	WASHER		1
9	506 73 86-01	RETAINER RING		1
10	579 19 07-01	SHAFT		1
11	577 81 55-01	SPRING		1
12	520 75 98-01	SCREW		1
13	520 97 86-01	VALVE		1
14	520 95 70-01	SCREEN		1
15	505 05 79-01	SPRING		1
16	584 90 12-01	PISTON ASSY		1
17	520 75 98-01	SCREW		1
18	579 19 08-01	LEVER		1
19	505 05 65-01	RING		1
20	579 19 10-01	SHAFT		1
21	516 52 42-01	WASHER		1
22	584 90 13-01	LEVER		1
23	579 19 11-01	SPRING		1
24	520 75 98-01	SCREW		1
25	581 15 49-01	VALVE		1
26	578 89 54-01	SPRING		1
27	520 97 74-01	PIN		1
28	577 80 72-01	LEVER		1
29	521 08 54-01	VALVE.INLET		1
30	577 80 71-01	SCREW		1
31	516 97 21-01	GASKET		1
32	577 80 70-01	DIAPHRAGM		1
33	514 18 92-01	COVER		1
34	520 97 88-01	SCREW ASSY		4
35	514 24 26-01	BALL		1
36	514 24 33-01	SPRING.CHOKE		1
37	580 68 48-01	GASKET KIT	Coomopes by item 5, 6, 31 and 32	1

K2 325HE4
FUEL TANK

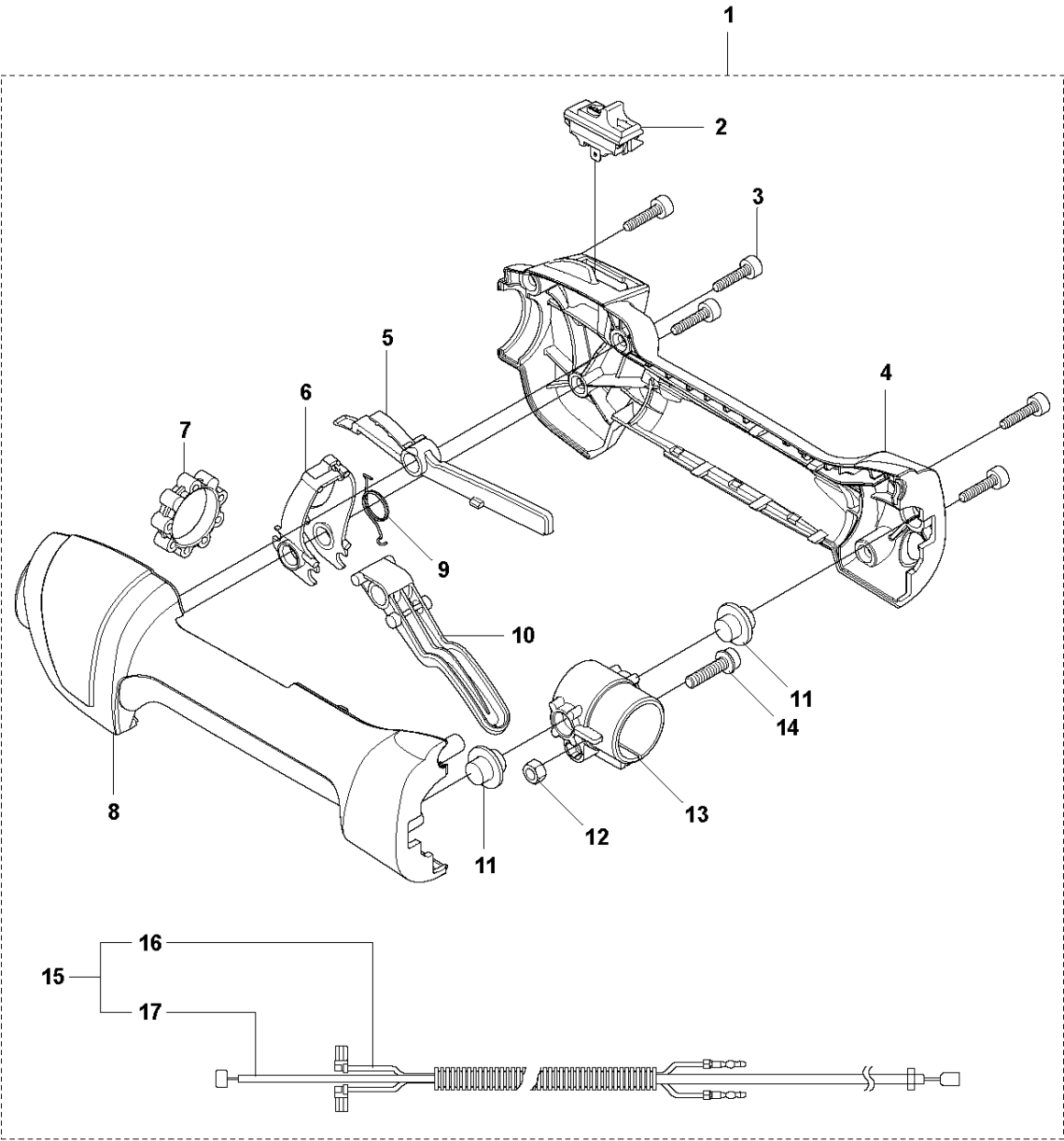


FUEL TANK

325 HE4, 966787701 from 20150100001-current

Ref	Part No	Description	Remark	QTY	KIT
1	576 40 51-01	FUEL TANK		1	
1	576 40 51-02	FUEL TANK	Australia / New Zealand	1	
2	579 21 03-02	HOSE ASSY		1	1
2	577 50 99-03	PIPE	Australia / New Zealand	1	
3	506 70 70-01	CLIP		1	1
4	503 44 32-01	FUEL FILTER		1	1
5	579 64 57-03	TANK CAP		1	1
6	587 36 59-01	BUMPER		1	
7	525 75 51-08	SCREW ITXSCFM		3	
8	587 61 56-01	STUD SCREW		3	

E 325HE3, 325HE4
THROTTLE CONTROLS

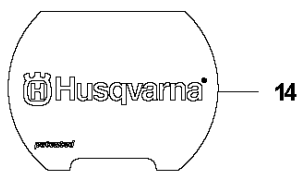
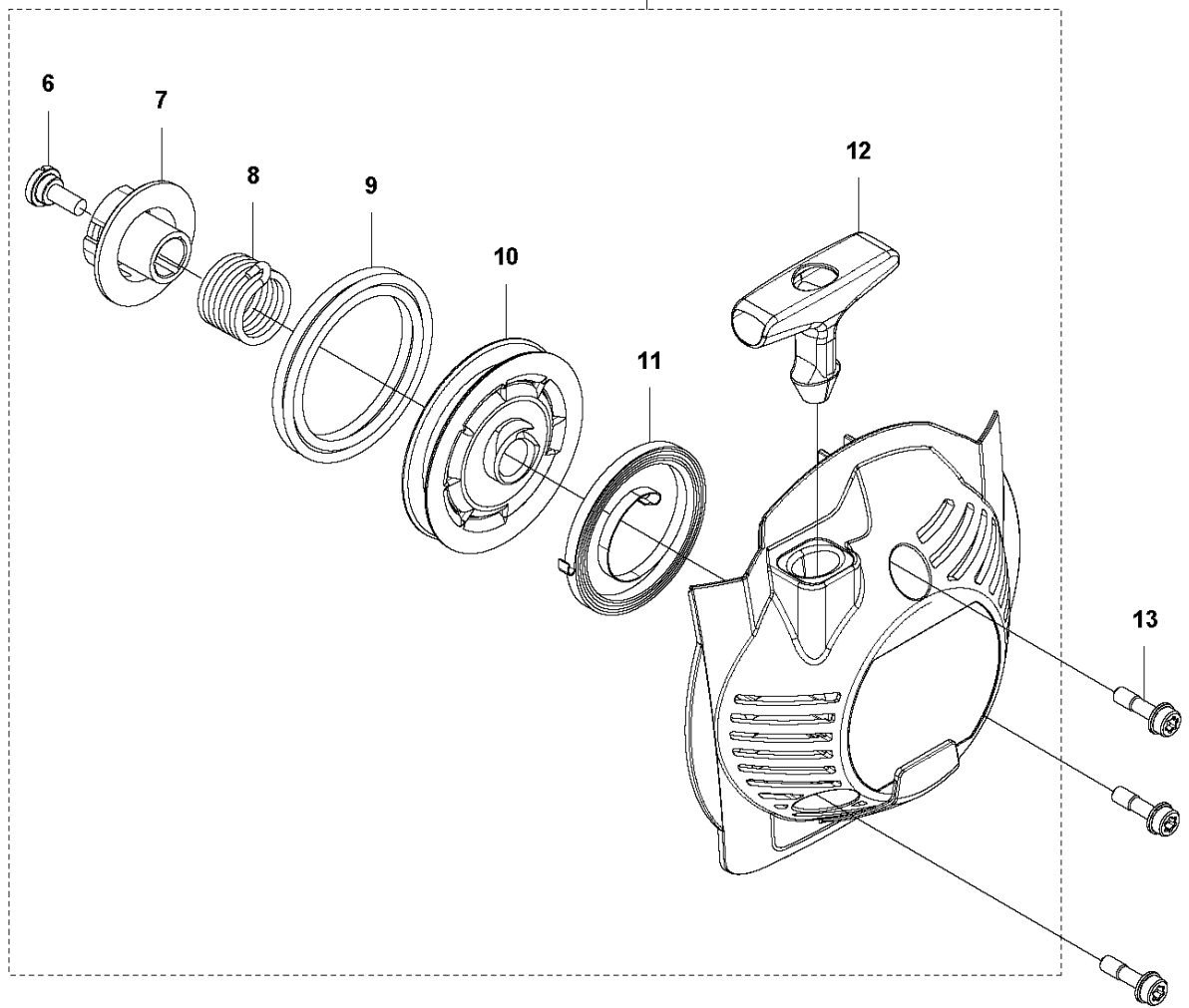
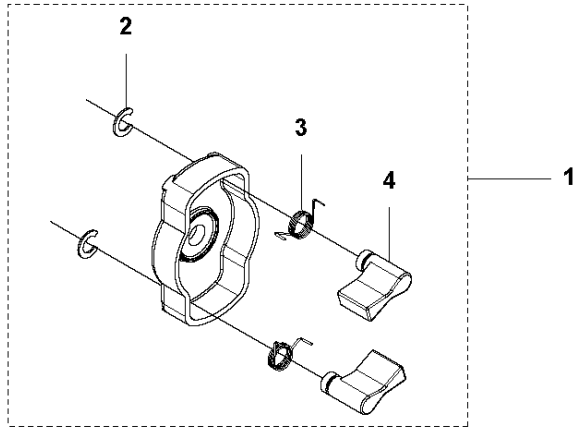


THROTTLE CONTROLS

325 HE4, 966787701 from 20150100001-current

Ref	Part No	Description	Remark	QTY	KIT
1	578 27 95-01	THROTTLE CONTROL	L, LS, LST, RJX	1	
1	578 27 95-02	THROTTLE CONTROL	LK, RJD, (LST Australia)	1	
2	537 41 90-01	SWITCH		1	1
3	575 96 05-01	SCREW IH SCT		5	1
4	544 23 84-01	HANDLE HALF	L, LS, LST, RJX	1	1
4	544 10 02-02	HANDLE HALF	LK, RJD, (LST Australia)	1	1
5	503 87 80-01	THROTTLE LOCKOUT		1	1
6	503 91 81-01	THROTTLE LEVER		1	1
7	503 96 14-01	ABSORBER		1	1
8	544 23 85-01	HANDLE HALF	L, LS, LST, RJX	1	1
8	544 10 03-02	HANDLE HALF	LK, RJD, (LST Australia)	1	1
9	544 10 08-01	RECOIL SPRING		1	1
10	503 87 79-03	THROTTLE TRIGGER		1	1
11	544 10 17-03	DAMPER	L, LS, LST, RJX	2	1
11	544 10 17-02	DAMPER	LK, RJD, (LST Australia)	2	1
12	731 23 14-01	HEXAGON NUT		1	1
13	544 11 21-01	RETAINER		1	1
14	506 68 90-01	BOLT		1	1
15	578 27 96-01	WIRING		1	1
16	502 53 16-01	SHORT CIRCUIT CABLE		1	1, 15
17	578 86 78-01	THROTTLE CABLE		1	1, 15

H 325HE3, 325HE4
STARTER

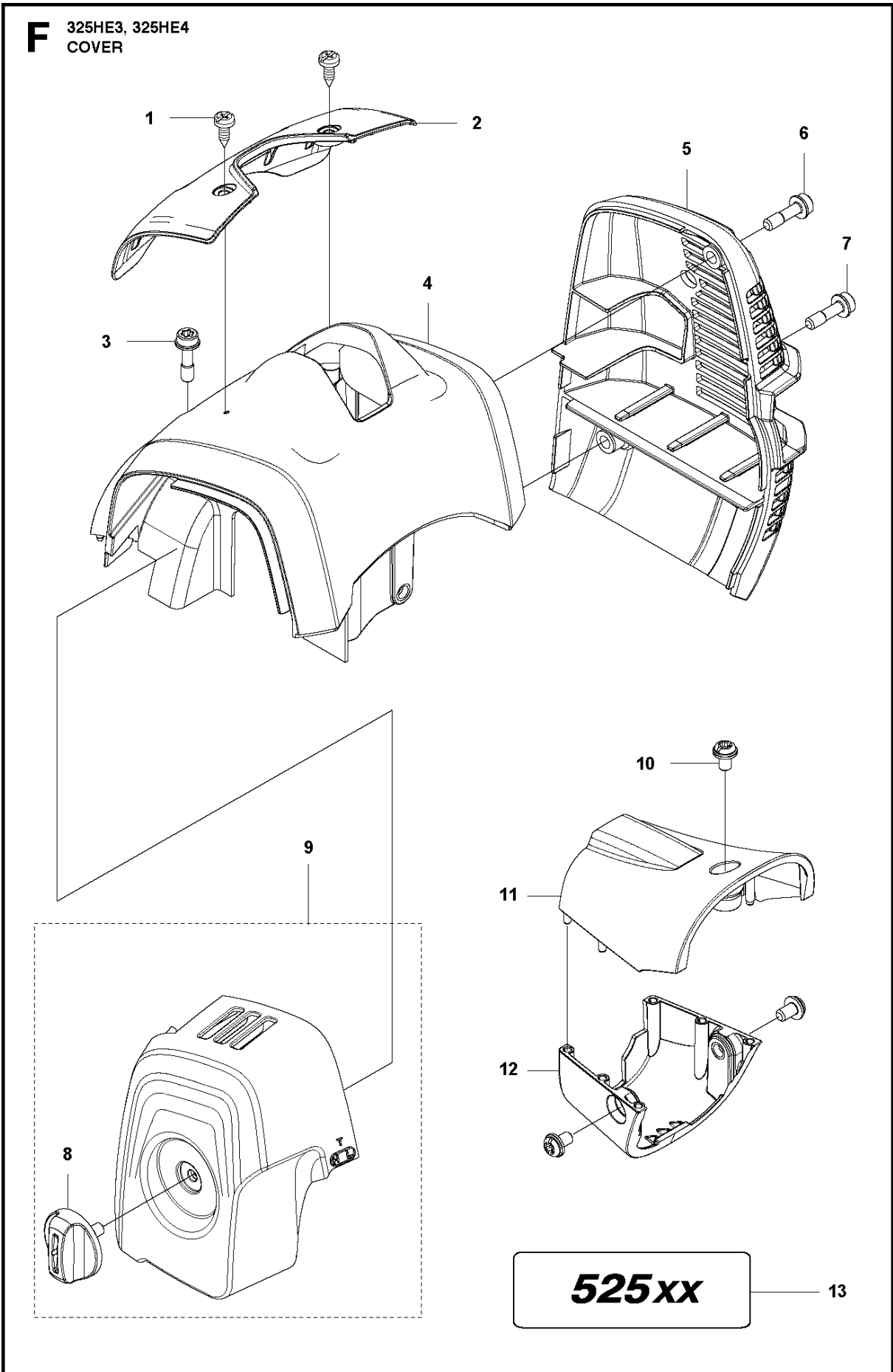


STARTER

325 HE4, 966787701 from 20150100001-current

Ref	Part No	Description	Remark	QTY	KIT
1	581 14 65-01	STARTER PULLEY		1	
2	521 60 04-01	E-RING		2	1
3	521 60 03-01	SPRING		2	1
4	521 60 02-01	RATCHET		2	1
5	578 99 25-01	STARTER		1	
6	506 61 30-01	SCREW		1	5
7	576 40 12-01	PULLEY		1	5
8	577 13 41-01	SPRING		1	5
9	579 06 46-01	ROPE		1	5
10	579 06 48-01	STARTER PULLEY		1	5
11	504 11 50-01	SPIRAL SPRING		1	5
12	575 48 95-01	STARTER HANDLE		1	5
13	577 81 54-01	BOLT		3	5
14	579 36 96-01	DECAL		1	

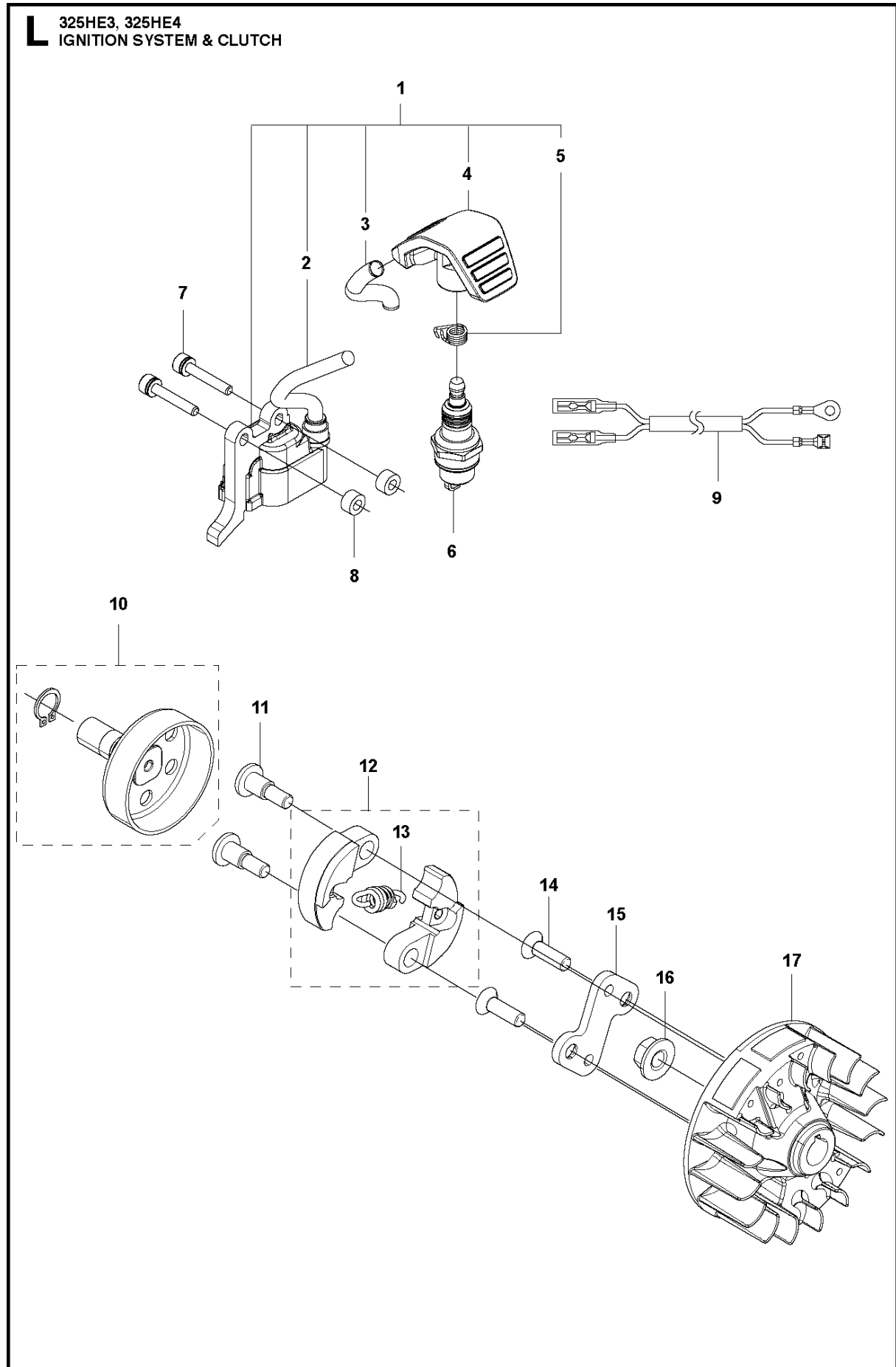
F 325HE3, 325HE4
COVER



COVER

325 HE4, 966787701 from 20150100001-current

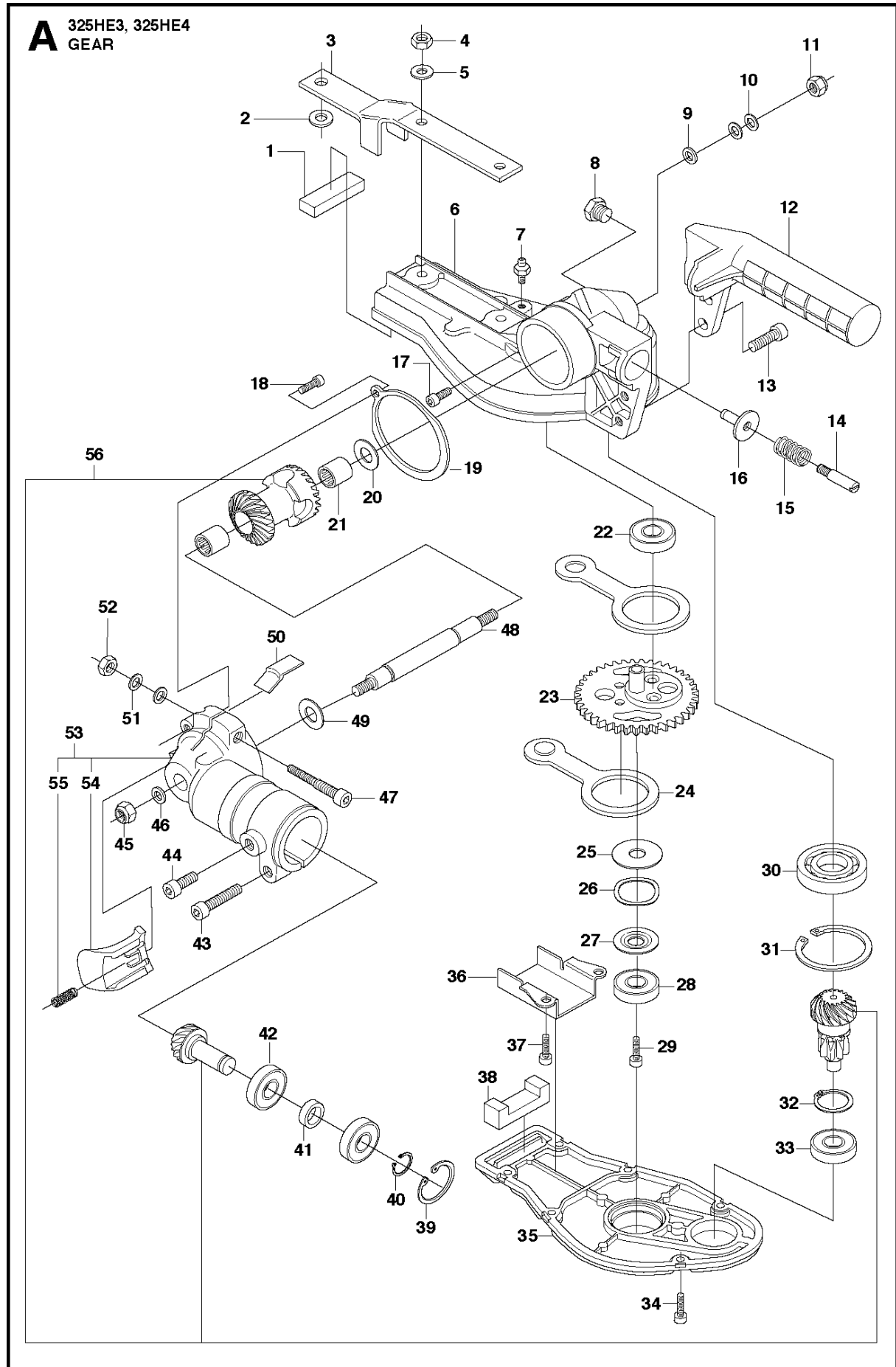
Ref	Part No	Description	Remark	QTY	KIT
1	503 21 35-12	SCREW CCRPANT		2	
2	576 40 45-01	ARM PROTECTION		1	
3	577 81 54-01	BOLT		1	
4	592 62 13-01	CYLINDER COVER	To be used with 576404101 Housing clutch	1	
4	592 62 13-02	CYLINDER COVER	To be used with 588567701 Housing clutch	1	
5	576 40 47-01	MUFFLER GUARD		1	
6	577 81 54-01	BOLT		1	
7	577 81 54-01	BOLT		1	
8	576 99 24-02	KNOB		1	9
9	581 04 73-01	FILTER COVER ASSY		1	
10	544 25 68-01	SCREW		3	
11	577 84 82-01	COVER	524L, 525L, LS, LST, RJD	1	
11	577 85 11-01	COVER	RS	1	
12	577 84 81-01	COVER	524L, 525L, LS, LST, RJD	1	
12	577 85 10-01	COVER	RS	1	
13	579 44 58-06	DECAL	525L	1	



IGNITION SYSTEM & CLUTCH

325 HE4, 966787701 from 20150100001-current

Ref	Part No	Description	Remark	QTY	KIT
1	588 14 15-01	IGNITION COIL		1	
2	584 82 66-01	IGNITION CABLE		1	1
3	579 59 07-01	TUBE		1	1
4	586 10 72-01	SPARK PLUG CAP		1	1
5	588 17 62-01	SPRING		1	1
6	584 96 81-01	SPARK PLUG	BPMR-8Y : NGK	1	
7	521 51 58-01	BOLT		2	
8	521 76 97-01	SPACER		2	
9	577 85 17-01	SHORT CIRCUIT CABLE		1	
10	586 82 97-01	CLUTCH DRUM ASSY		1	
11	525 61 54-01	SCREW		2	
12	537 04 01-02	CLUTCH ASSY		1	
13	503 14 51-01	CLUTCH SPRING		1	12
14	580 42 92-01	SCREW ITXCFSM		2	
15	580 35 54-01	CLUTCH HUB		1	
16	504 11 80-01	NUT		1	
17	578 96 78-01	FLYWHEEL		1	

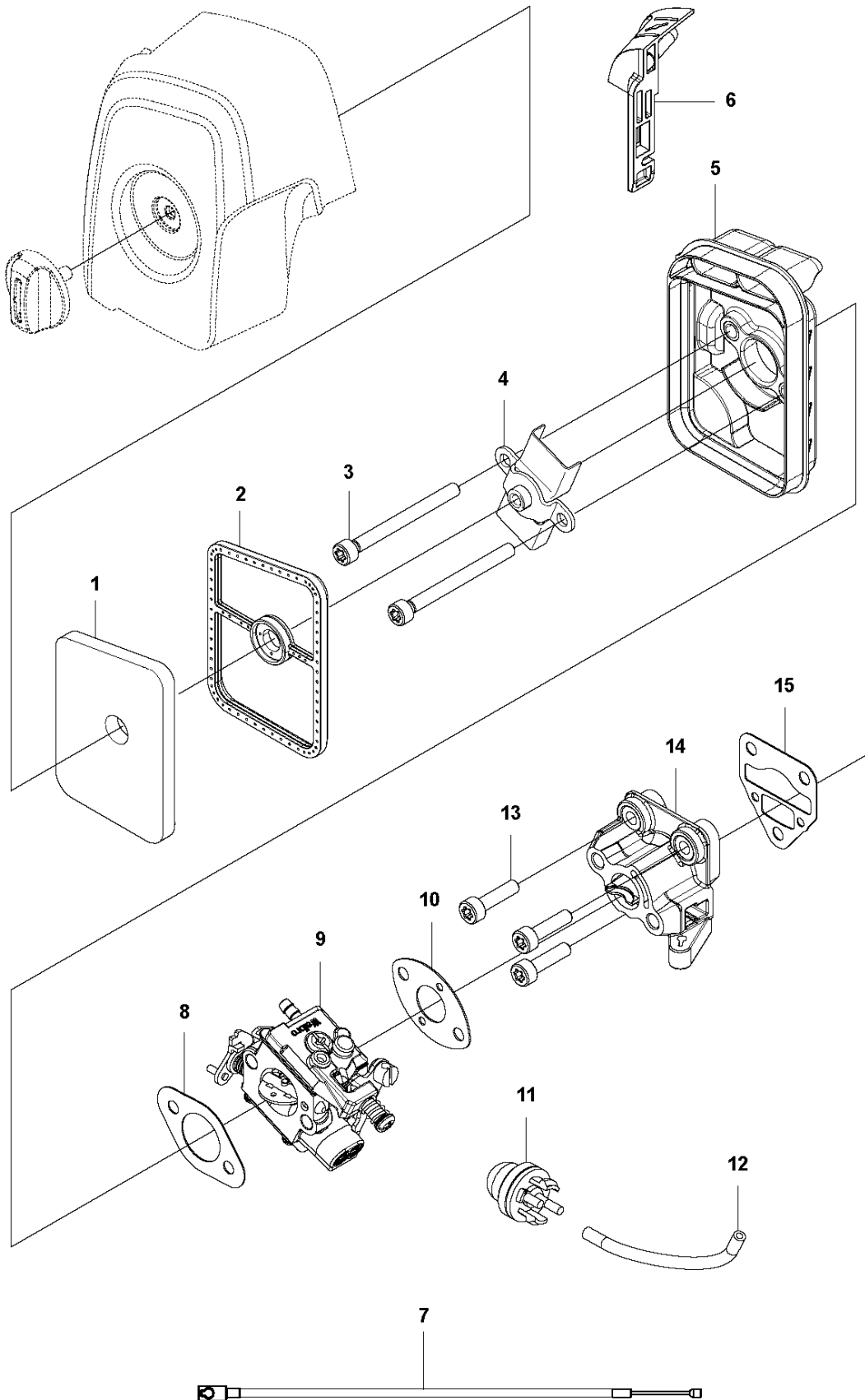


BEVEL GEAR

325 HE4, 966787701 from 20150100001-current

Ref	Part No	Description	Remark	QTY	KIT
1	537 23 22-01	SEALING		1	
2	734 11 65-41	WASHER		1	
3	537 23 21-01	BASEPLATE		1	
4	503 22 10-12	HEXAGON NUT		2	
5	734 11 46-01	WASHER		2	
6	537 23 17-01	GEAR HOUSING		1	
7	738 88 10-01	LUBRICATION NIPPLE		1	
8	537 41 66-01	PLUG		1	
9	734 11 52-01	WASHER		1	
10	737 38 52-00	DISC SPRING		2	
11	732 25 16-01	HEXAGON LOCKING NUT		1	
12	537 23 30-01	HANDLE		1	
13	537 12 64-01	SCREW		2	
14	537 38 59-01	PEN		1	
15	537 23 33-01	SPRING		1	
16	537 34 14-01	STOP		1	
17	725 53 23-05	SCREW IHSCM		1	
18	725 53 27-55	SCREW IHSCM		1	
19	537 23 34-01	STOP		1	
20	537 29 42-01	WASHER		1	
21	537 23 36-01	NEEDLE BEARING		2	
22	738 21 98-04	BALL BEARING		1	
23	537 23 28-01	GEAR WHEEL		1	
24	537 23 20-01	CONNECTING ROD		2	
25	537 40 48-01	WASHER		1	
26	503 23 03-02	WASHER		1	
27	537 34 18-01	WASHER		1	
28	738 21 98-04	BALL BEARING		1	
29	725 53 23-05	SCREW IHSCM		1	
30	537 40 64-02	BALL BEARING		1	
31	735 31 33-10	CIRCLIP		1	
32	735 31 19-00	CIRCLIP		1	
33	738 21 98-04	BALL BEARING		1	
34	725 52 91-01	SCREW IHSCM		6	
35	537 23 18-01	HUB CAP		1	
36	537 34 15-01	GUIDE PLATE		1	
37	725 52 87-55	SCREW IHSCM		2	
38	537 23 42-01	SEALING		1	
39	735 31 25-10	CIRCLIP		1	
40	735 31 11-00	CIRCLIP		1	
41	537 23 37-01	SPACER		1	
42	738 21 99-04	BALL BEARING		2	
43	503 20 07-25	SCREW IHSCFM		1	
44	503 20 14-12	SCREW IHSCFMO		1	
45	732 25 16-01	HEXAGON LOCKING NUT		1	
46	734 11 52-01	WASHER		1	
47	537 29 55-01	SCREW		1	
48	537 23 26-01	SHAFT		1	
49	537 29 42-01	WASHER		1	
50	537 39 49-01	SEALING		1	
51	737 38 50-00	DISC SPRING		2	
52	732 25 12-01	HEXAGON LOCKING NUT		1	
53	544 23 10-01	HOUSING ASSY		1	54, 55
54	537 39 48-01	BUTTON		1	53
55	537 40 57-01	SPRING		1	53
56	544 06 40-01	GEAR WHEEL		1	

G 325HE3, 325HE4
CARBURETOR & AIR FILTER

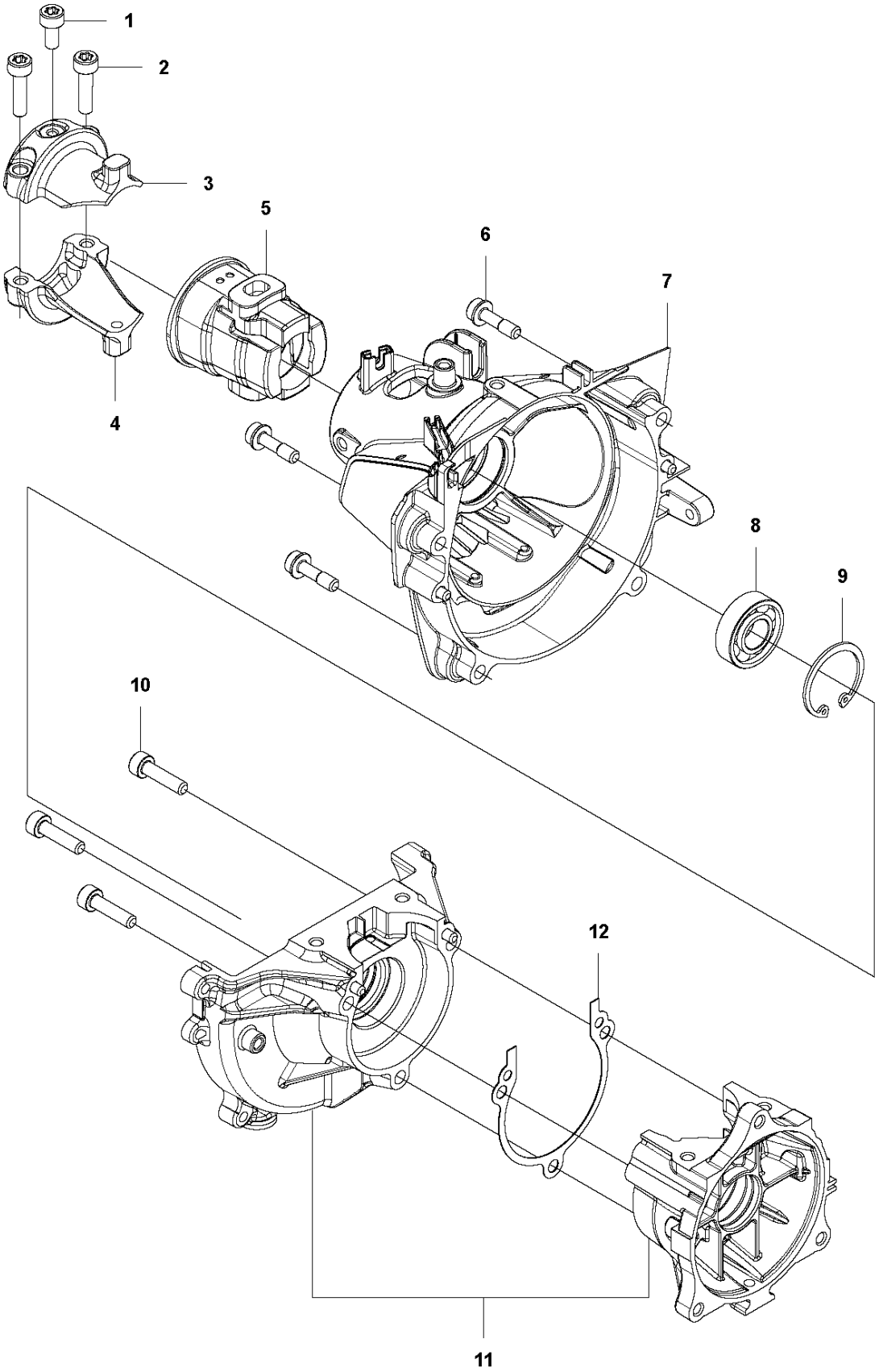


CARBURETOR & AIR FILTER

325 HE4, 966787701 from 20150100001-current

Ref	Part No	Description	Remark	QTY KIT
1	581 04 74-01	AIR FILTER		1
2	581 45 18-01	AIR FILTER		1
3	580 46 72-01	BOLT		2
4	580 43 79-01	PLATE		1
5	581 04 70-01	FILTER HOUSING		1
6	577 84 83-01	CHOKE CONTROL		1
7	590 90 00-01	THROTTLE CABLE		1
8	577 88 24-02	GASKET		1
9	584 90 14-01	CARBURETTOR		1
10	576 39 91-02	GASKET		1
11	503 93 66-01	PURGE		1
12	577 05 05-01	PIPE		1
13	504 11 43-01	SCREW		3
14	578 90 83-01	INSULATOR		1
15	576 39 89-01	GASKET		1

J 325HE3, 325HE4
CRANKCASE

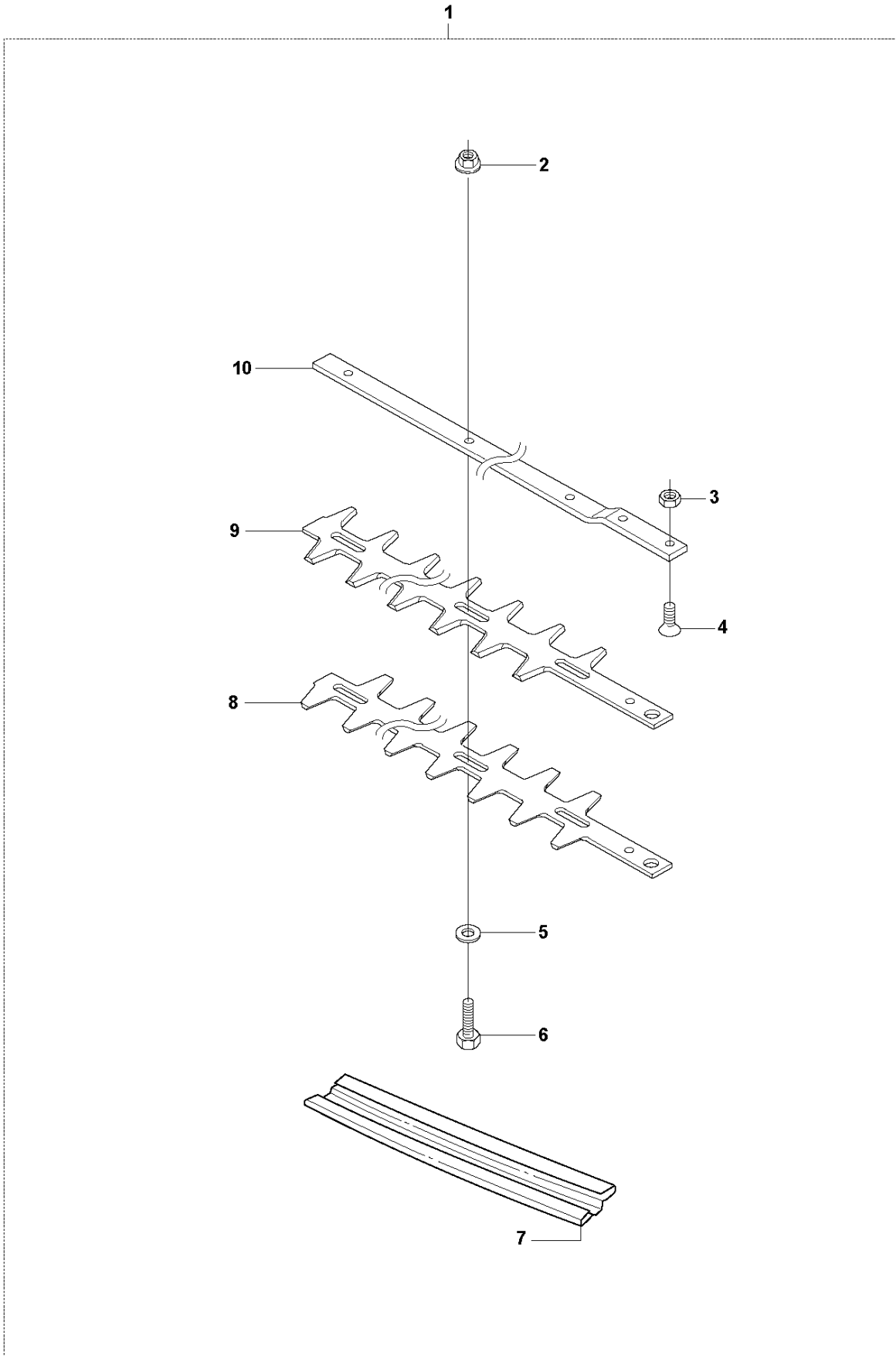


CRANKCASE

325 HE4, 966787701 from 20150100001-current

Ref	Part No	Description	Remark	QTY KIT
1	525 82 49-14	SCREW ITXSCM		1
2	577 94 20-01	BOLT		2
3	576 42 07-02	BRACKET		1
4	576 42 08-02	BRACKET		1
5	576 42 05-01	CUSHION		1
6	577 81 54-01	BOLT		4
7	576 40 41-01	HOUSING		1
8	525 95 32-01	BEARING		1
9	506 60 99-01	SNAP RING		1
10	504 11 43-01	SCREW		3
11	581 30 86-02	CRANKCASE		1
12	576 39 95-02	GASKET		1

B1 325HE3, 325HE4
CUTTING EQUIPMENT

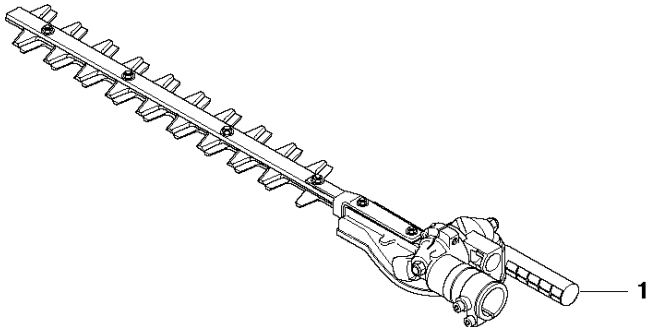


CUTTING EQUIPMENT

325 HE4, 966787701 from 20150100001-current

Ref	Part No	Description	Remark	QTY KIT
1	505 06 55-03	CUTTING DECK		1
2	503 22 75-02	NUT		4
3	503 22 10-12	HEXAGON NUT		2
4	725 63 31-55	SCREW IHCSFM		2
5	503 23 00-24	WASHER		4
6	589 30 89-01	SCREW		4
7	581 25 93-04	TRANSPORT GUARD		1
8	505 06 48-01	BLADE		1
9	505 06 48-01	BLADE		1
10	537 28 39-01	BEAM		1

B3 325HE4
CUTTING EQUIPMENT

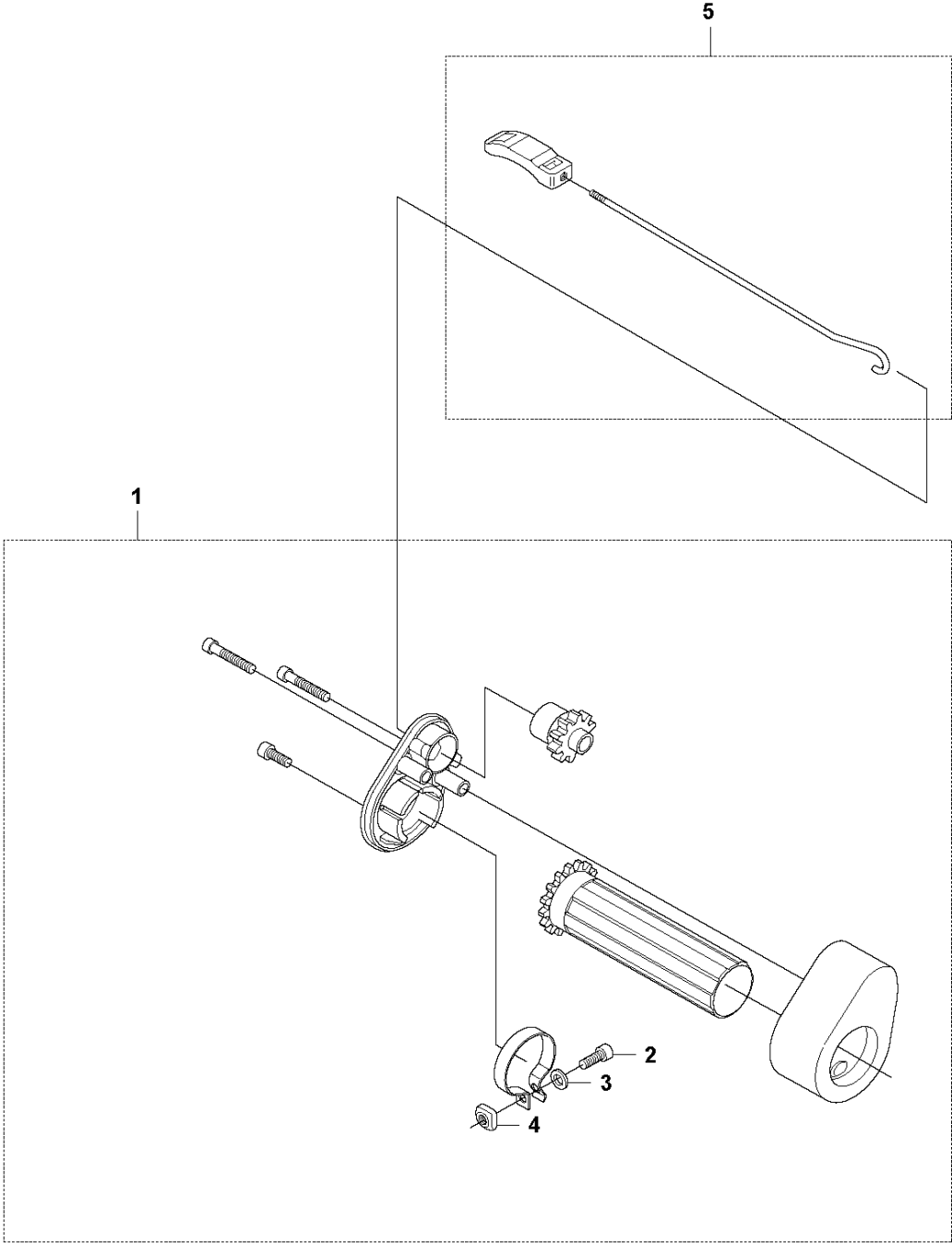


CUTTING EQUIPMENT

325 HE4, 966787701 from 20150100001-current

Ref	Part No	Description	Remark	QTY KIT
1	521 91 93-03	CUTTING DECK KIT		1

D 325HE3, 325HE4
LEVER

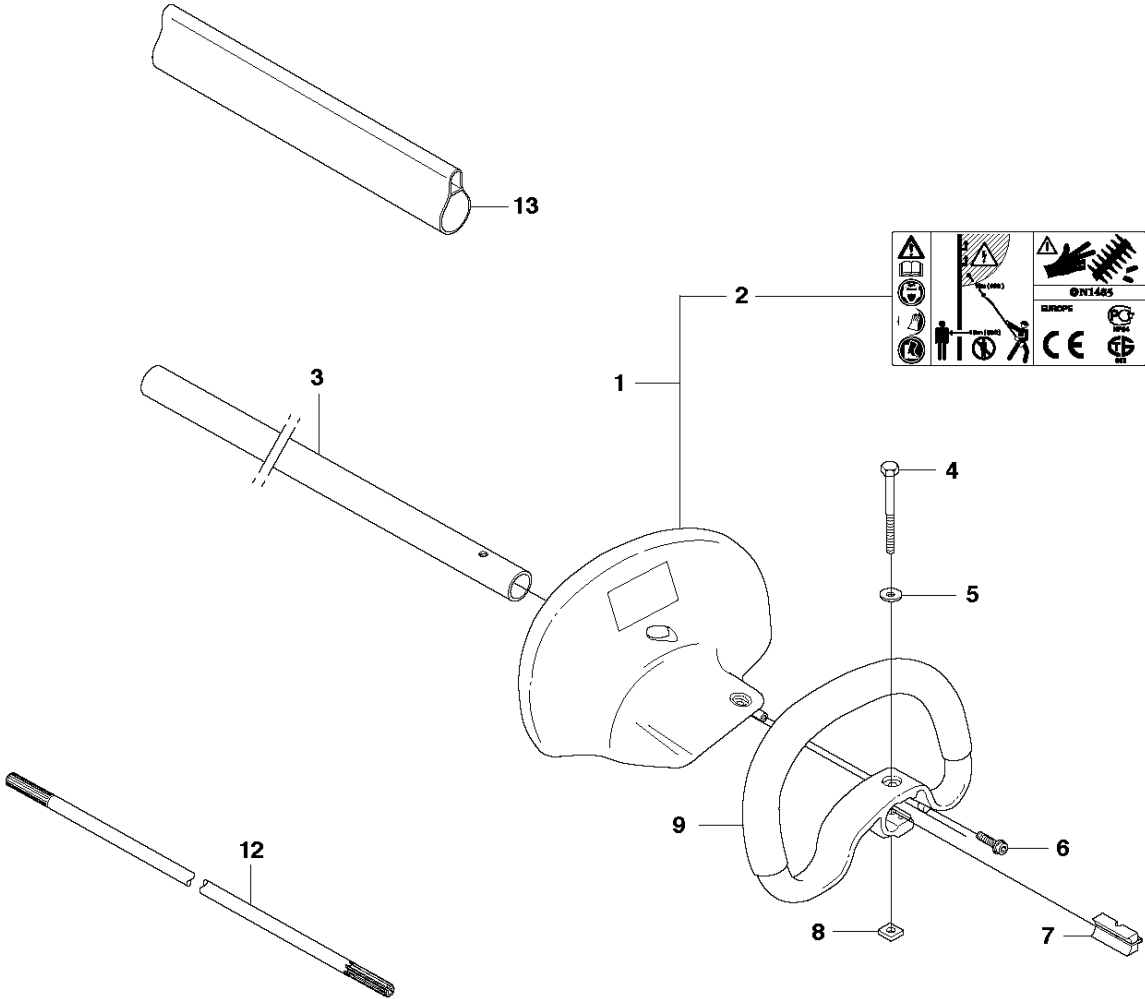


LEVER

325 HE4, 966787701 from 20150100001-current

Ref	Part No	Description	Remark	QTY	KIT
1	537 29 50-02	HANDLE		1	
2	725 53 29-55	SCREW IHSCM		1	1
3	734 11 46-01	WASHER		1	1
4	503 22 65-01	SQUARE NUT		1	1
5	597 02 81-01	REMOTE CONTROL		1	

C1 325HE3
SHAFT

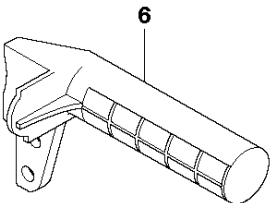
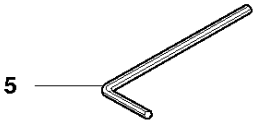
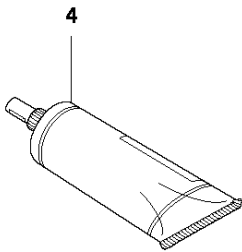
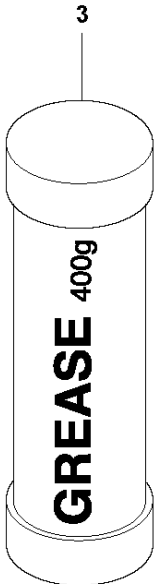
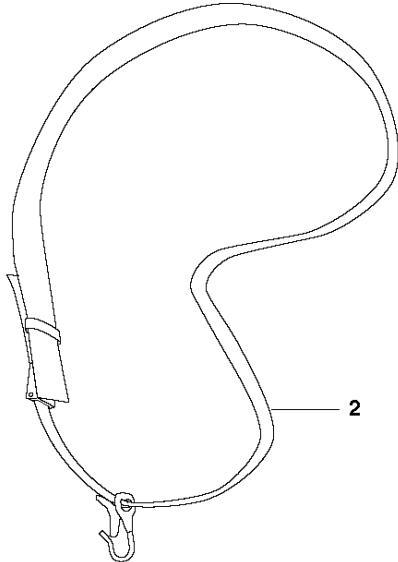
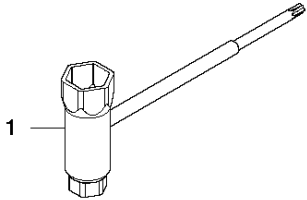


HANDLE

325 HE4, 966787701 from 20150100001-current

Ref	Part No	Description	Remark	QTY KIT
1	544 11 89-05	HAND GUARD		1
2	587 11 37-02	LABEL		1
3	586 29 25-01	TUBE ASSY		1
4	725 23 78-51	SCREW EHHM		1
5	734 11 52-01	WASHER		1
6	503 21 75-16	SCREW IHSCFT		1
7	503 94 03-01	DISTANCE		1
8	502 19 71-01	SQUARE NUT		1
9	503 87 19-08	HANDLE		1
12	581 16 17-01	DRIVE SHAFT		1
13	537 41 64-02	COVER		1

Q 325HE3, 325HE4
ACCESSORIES



ACCESSORIES

325 HE4, 966787701 from 20150100001-current

Ref	Part No	Description	Remark	QTY KIT
1	575 73 82-02	COMBINATION WRENCH		1
2	537 21 62-01	HARNES		1
3	588 81 48-01	GREASE		1
4	503 98 96-04	GREASE		1
5	503 55 86-01	SPANNER		1
6	537 23 30-01	HANDLE		1