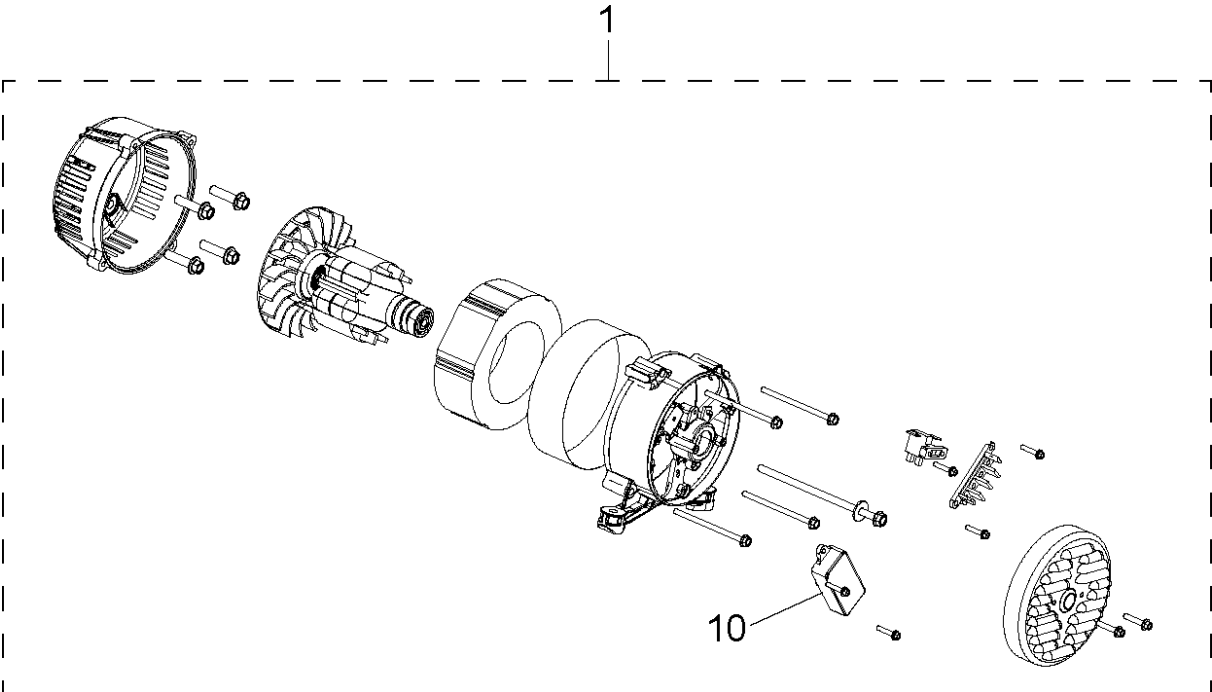




SPARE PARTS LIST

GENERATORS

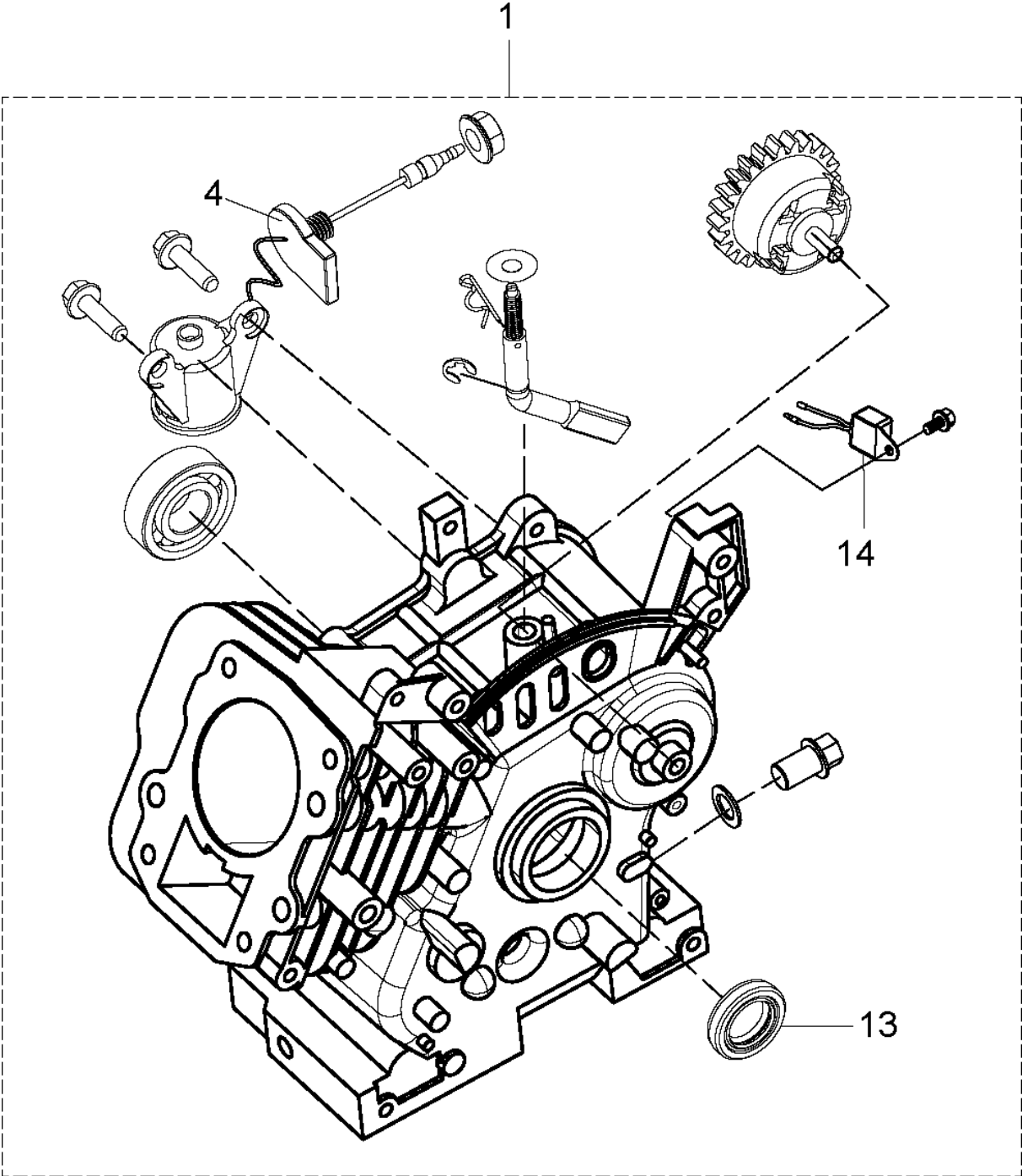
G1300P, 967664906, 2018-08



ALTERNATOR

G1300P, 967664906, 2018-08

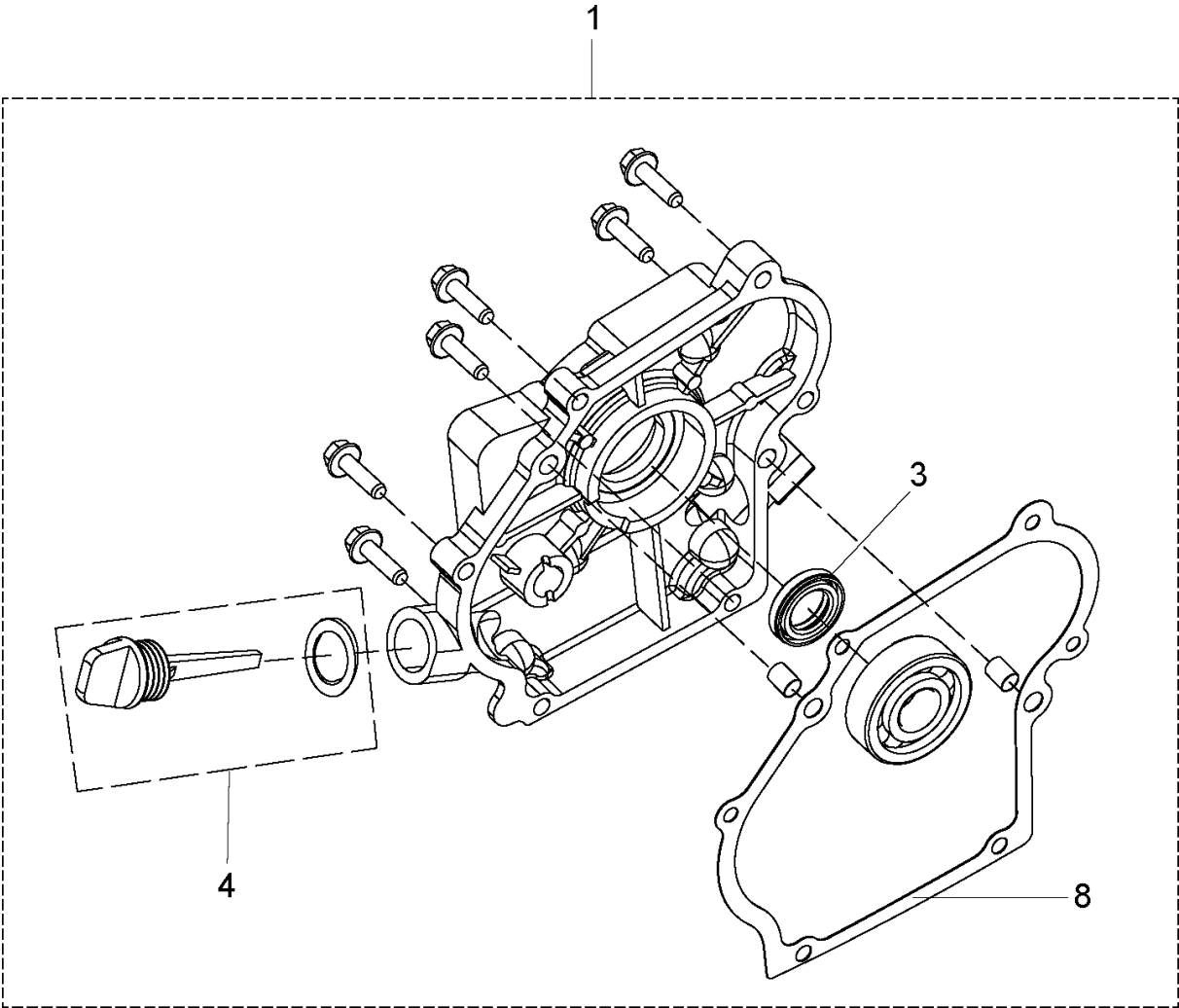
| Ref | Part No | Description | Remark | QTY KIT |
|-----|--------------|-------------|--------|---------|
| 1 | 598 62 75-01 | ALTERNATOR | | 1 |
| 10 | 596 60 63-01 | REGULATOR | | 1 |



CRANKCASE

G1300P, 967664906, 2018-08

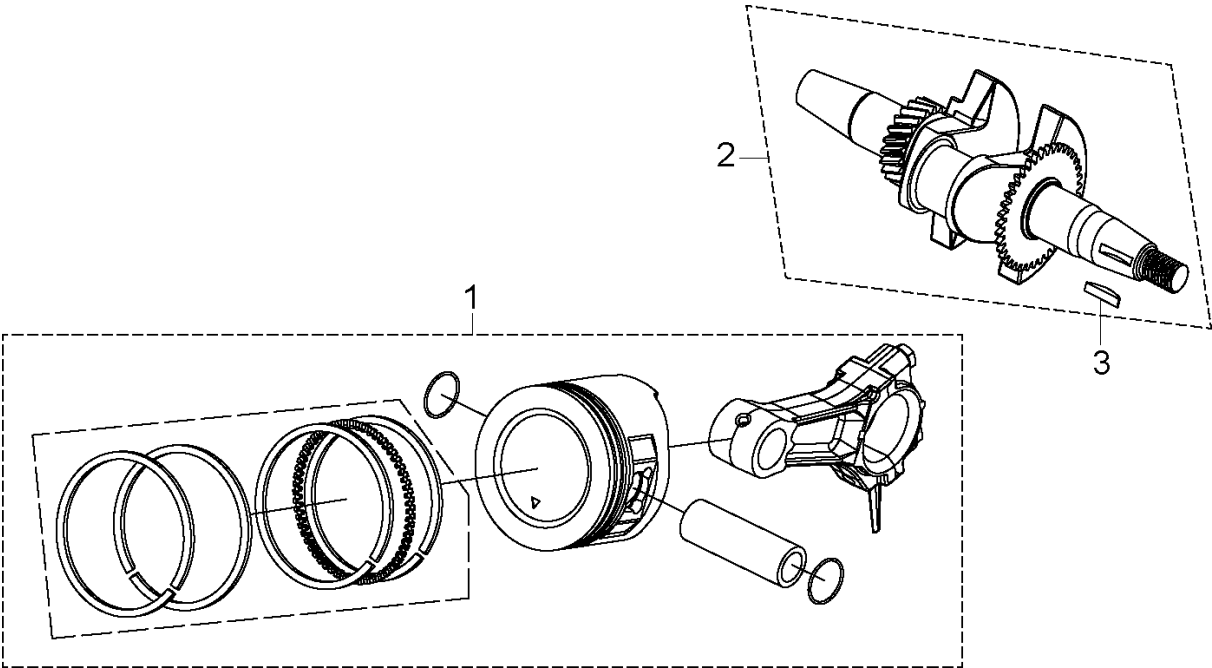
| Ref | Part No | Description | Remark | QTY KIT |
|-----|--------------|----------------|--------|---------|
| 1 | 596 69 93-01 | CRANKCASE ASSY | | 1 |
| 4 | 596 60 46-01 | SENSOR | | 1 |
| 14 | 590 63 89-01 | CONDUCTOR | | 1 |
| 13 | 596 60 43-01 | SEAL | | 1 |



CRANKCASE COVER

G1300P, 967664906, 2018-08

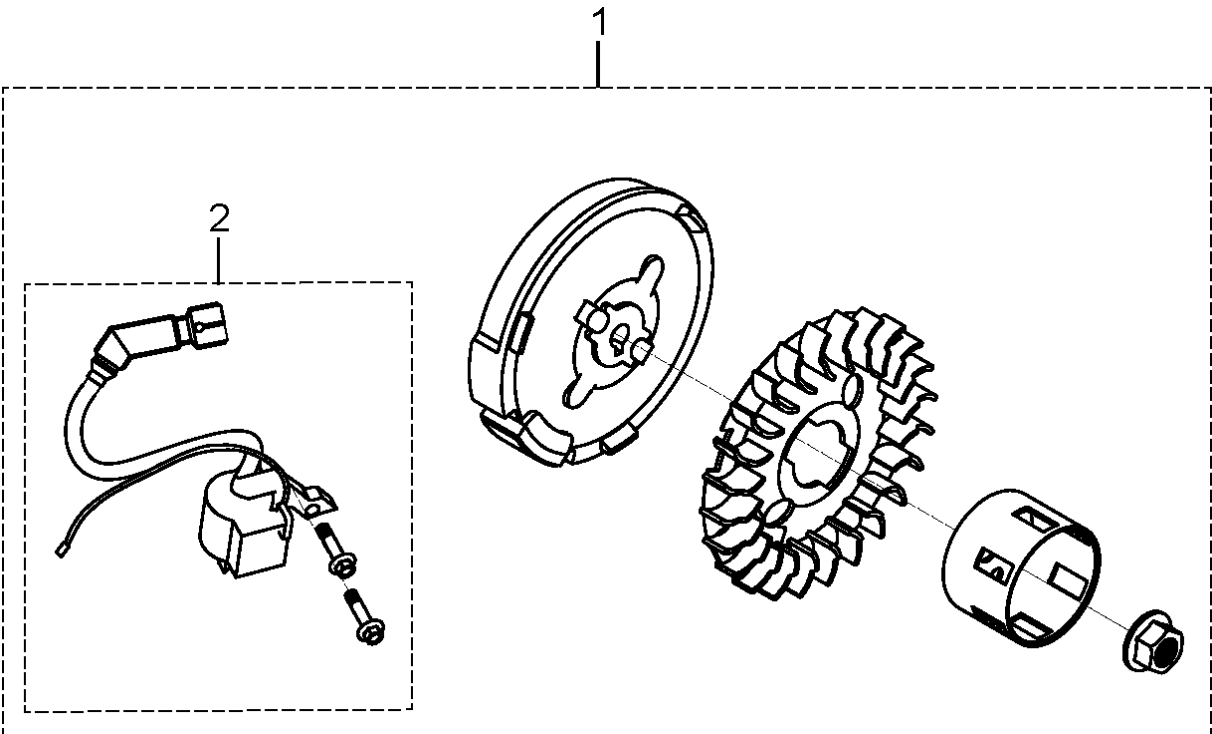
| Ref | Part No | Description | Remark | QTY KIT |
|-----|--------------|-------------|--------|---------|
| 1 | 596 69 96-01 | COVER ASSY | | 1 |
| 3 | 596 60 43-01 | SEAL | | 1 |
| 4 | 596 60 23-01 | DIPSTICK | | 1 |
| 8 | 589 86 99-01 | GASKET | | 1 |



CRANKSHAFT

G1300P, 967664906, 2018-08

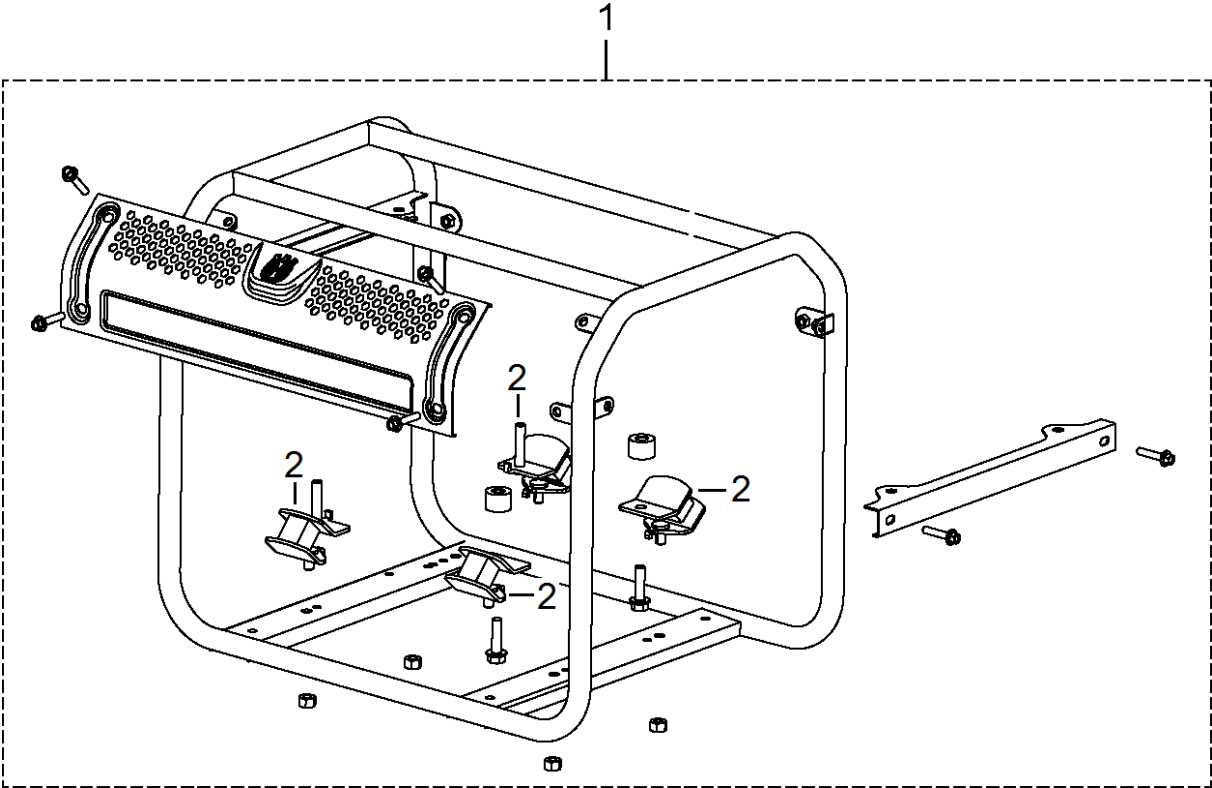
| Ref | Part No | Description | Remark | QTY KIT |
|-----|--------------|-----------------|--------|---------|
| 1 | 596 69 99-01 | PISTON ASSY | | 1 |
| 2 | 596 60 17-01 | CRANKSHAFT ASSY | | 1 |
| 3 | 589 87 03-01 | WOODRUFF KEY | | 1 |



FLYWHEEL

G1300P, 967664906, 2018-08

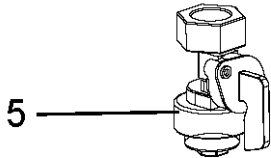
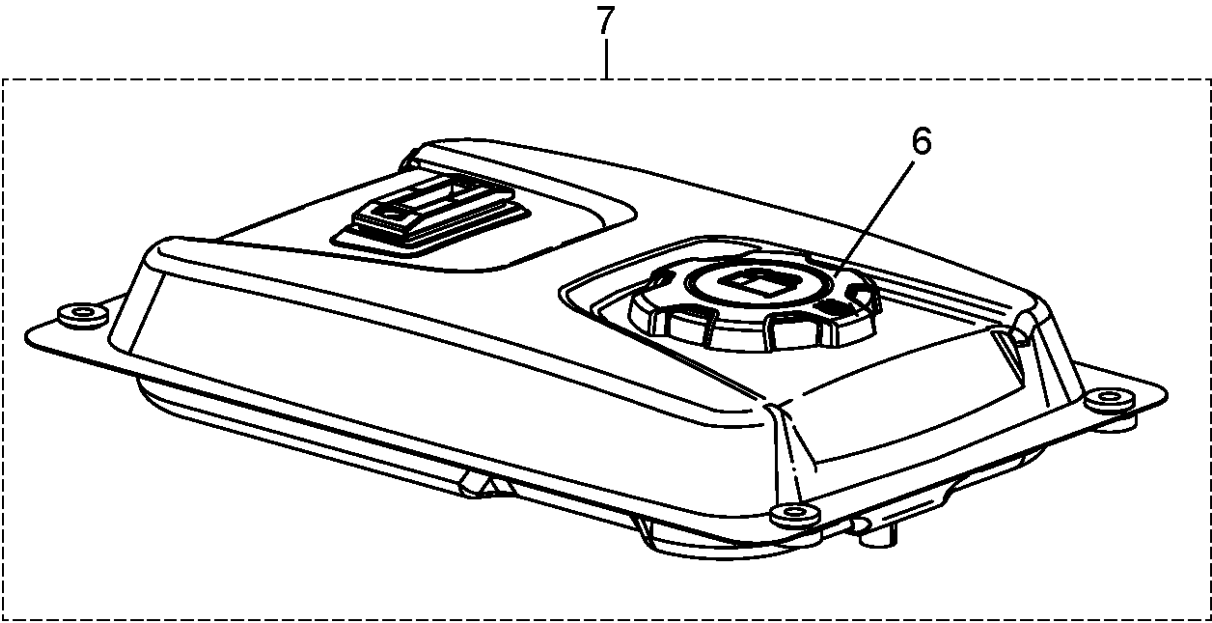
| Ref | Part No | Description | Remark | QTY KIT |
|-----|--------------|----------------------|--------|---------|
| 1 | 596 70 03-01 | FLYWHEEL ASSY | | 1 |
| 2 | 596 60 40-01 | IGNITION MODULE ASSY | | 1 |



FRAME

G1300P, 967664906, 2018-08

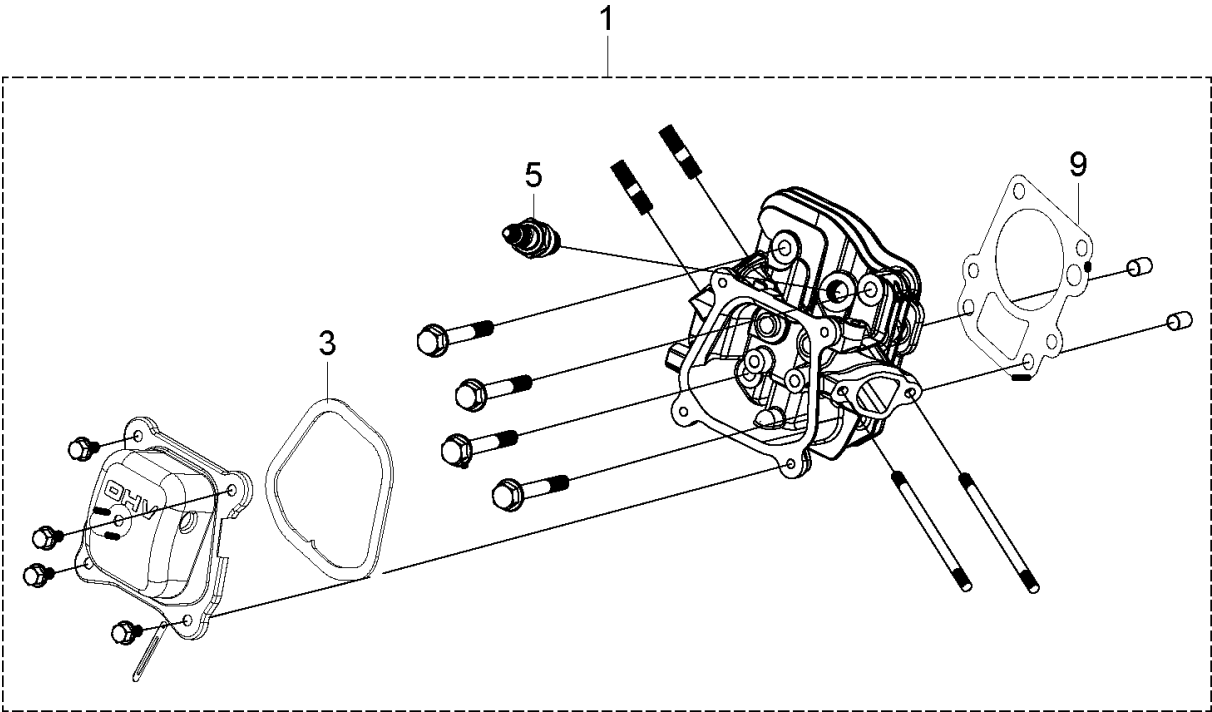
| Ref | Part No | Description | Remark | QTY KIT |
|-----|--------------|-----------------------|--------------|---------|
| 1 | 596 70 06-01 | FRAME | | 1 |
| 2 | 597 64 40-01 | ANTIVIBRATION ELEMENT | KIT 4 PIECES | 1 |



FUEL TANK

G1300P, 967664906, 2018-08

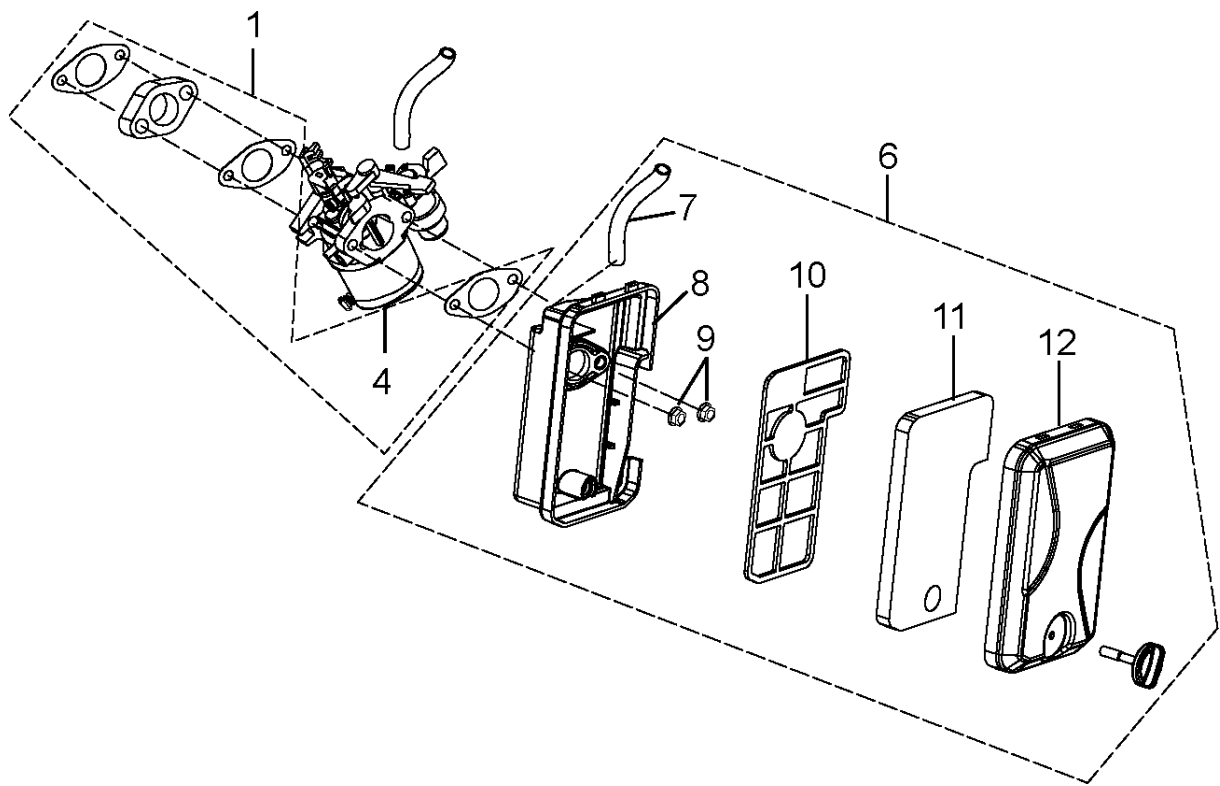
| Ref | Part No | Description | Remark | QTY KIT |
|-----|--------------|----------------|--------|---------|
| 5 | 596 60 29-01 | SWITCH | | 1 |
| 6 | 596 57 65-01 | FUEL CAP | | 1 |
| 7 | 596 60 33-01 | FUEL TANK ASSY | | 1 |



CYLINDER

G1300P, 967664906, 2018-08

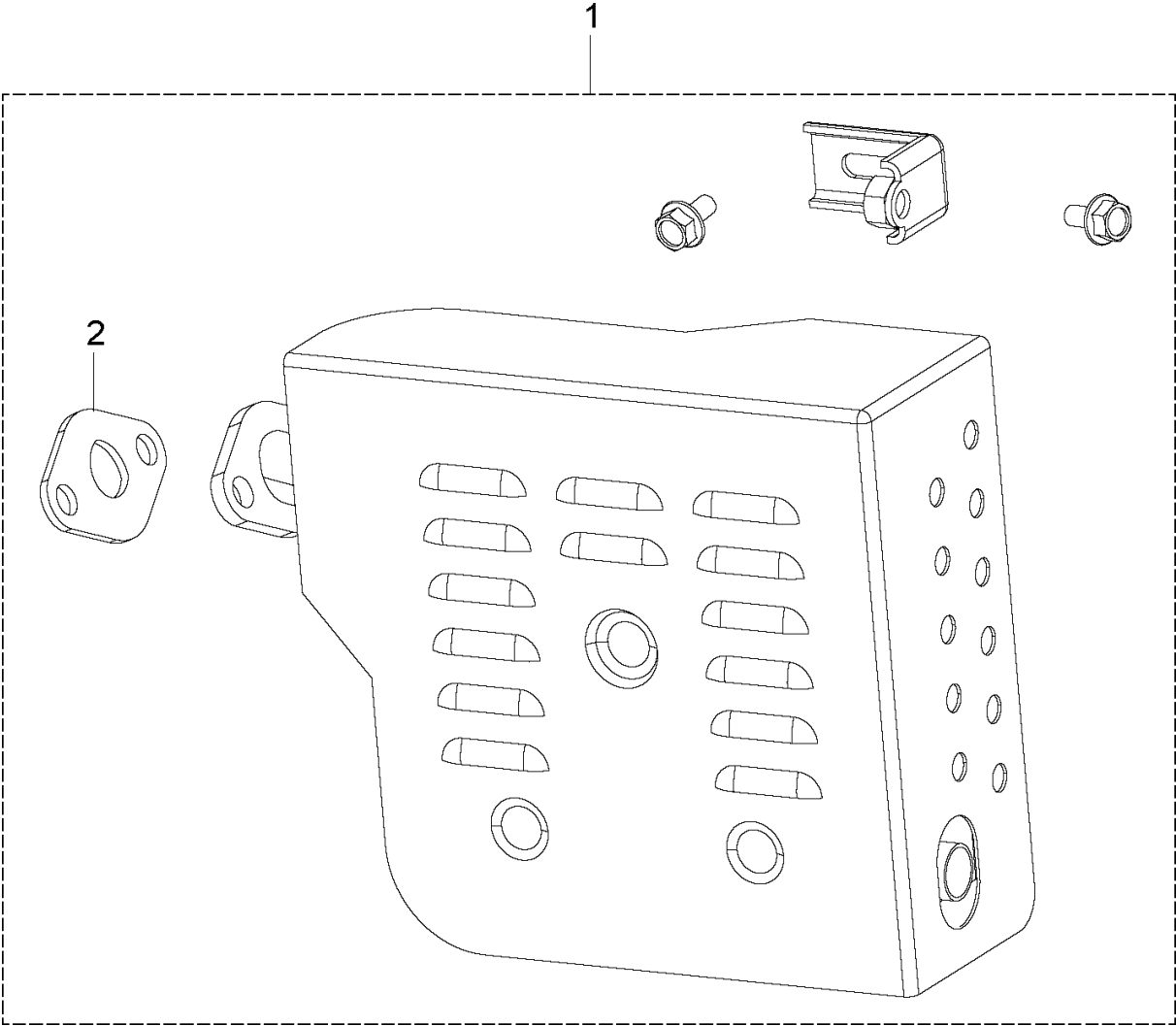
| Ref | Part No | Description | Remark | QTY KIT |
|-----|--------------|-------------------|--------|---------|
| 1 | 596 70 10-01 | CYLINDER HEAD KIT | | 1 |
| 3 | 589 85 55-01 | GASKET | | 1 |
| 5 | 596 60 51-01 | PLUG | | 1 |
| 9 | 589 85 63-01 | GASKET | | 1 |



INLET MANIFOLD

G1300P, 967664906, 2018-08

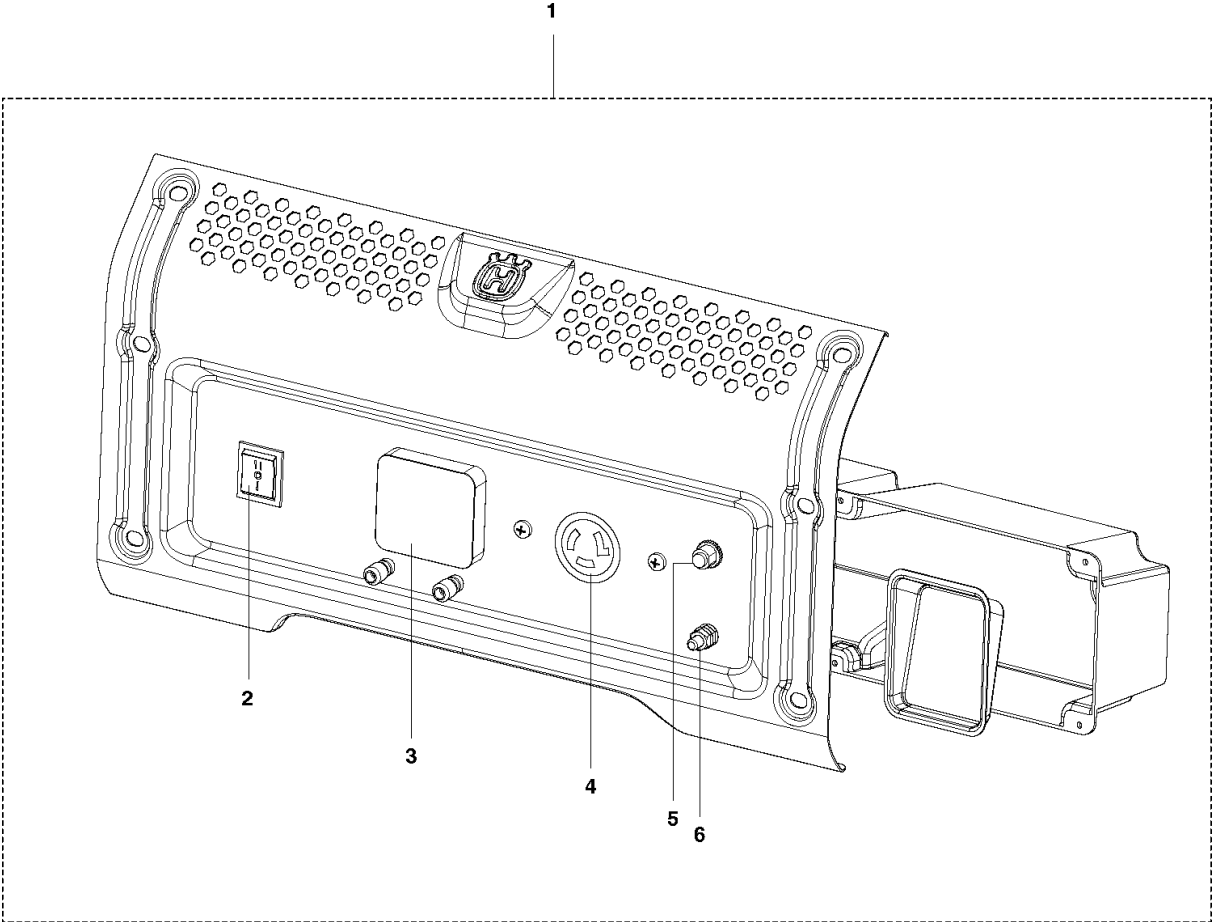
| Ref | Part No | Description | Remark | QTY KIT |
|-----|--------------|-------------|--------|---------|
| 1 | 596 70 15-01 | INLET | | 1 |
| 4 | 590 17 78-01 | CARBURETTOR | | 1 |
| 6 | 590 17 81-01 | AIR CLEANER | | 1 |
| 7 | 590 17 82-01 | PIPE | | 1 |
| 8 | 590 17 83-01 | COVER | | 1 |
| 9 | 587 98 05-01 | NUT | | 1 |
| 10 | 590 17 87-01 | INSERT | | 1 |
| 11 | 590 17 89-01 | FILTER | | 1 |
| 12 | 590 17 91-01 | COVER | | 1 |



MUFFLER

G1300P, 967664906, 2018-08

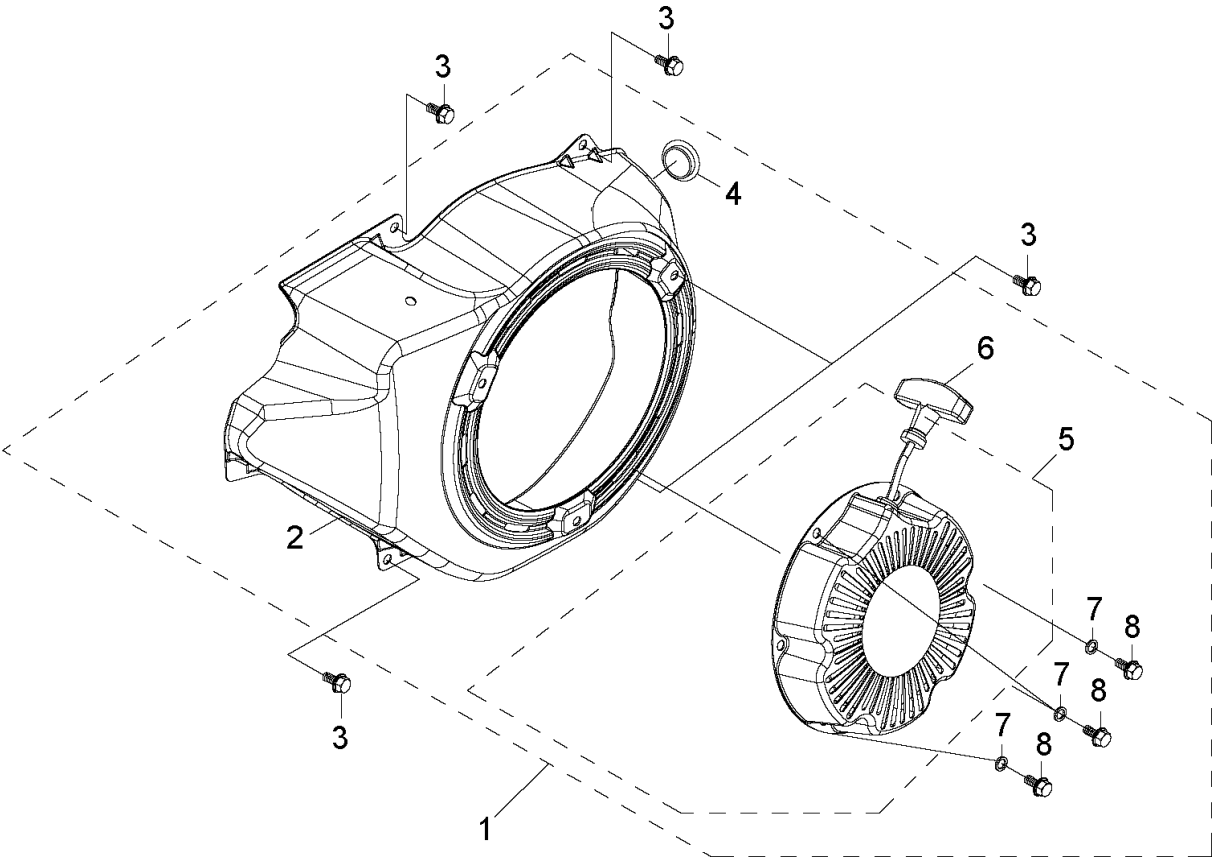
| Ref | Part No | Description | Remark | QTY KIT |
|-----|--------------|-------------|--------|---------|
| 1 | 596 70 18-01 | MUFFLER | | 1 |
| 2 | 589 89 63-01 | WASHER | | 1 |



PANEL

G1300P, 967664906, 2018-08

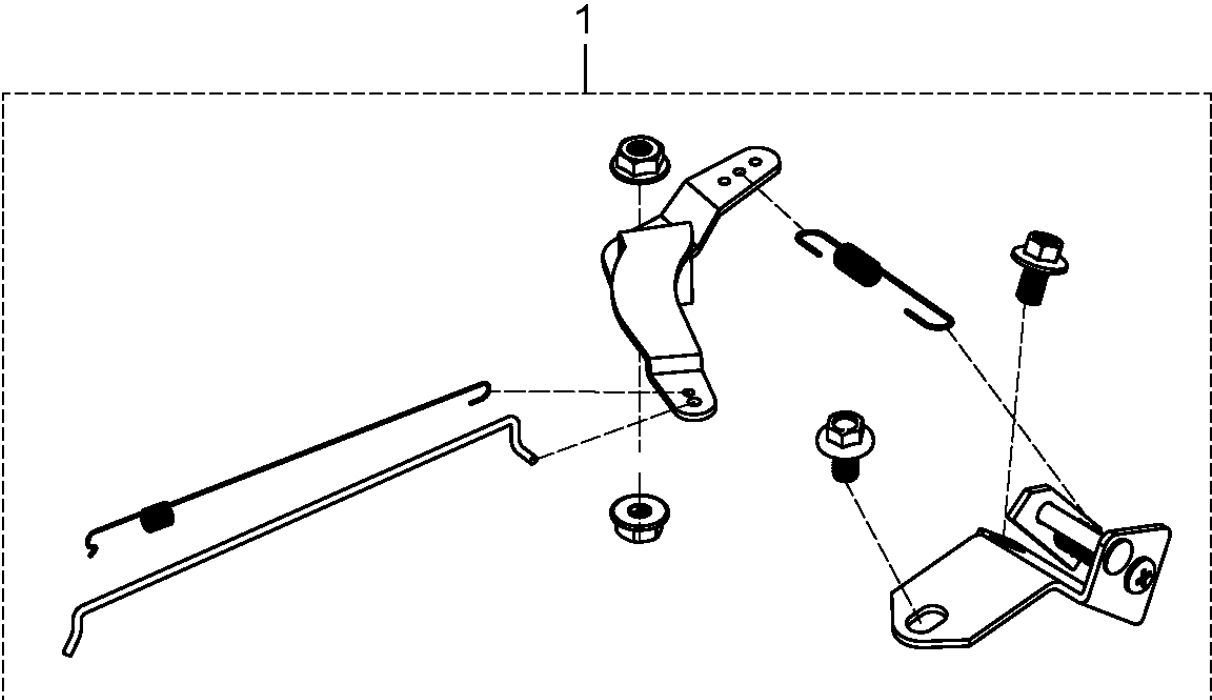
| Ref | Part No | Description | Remark | QTY KIT | |
|-----|--------------|-------------|--------|---------|---|
| 1 | 598 62 79-01 | PANEL ASSY | | 1 | |
| 3 | 597 94 45-01 | DISPLAY | | 1 | 1 |
| 4 | 597 94 60-01 | SOCKET | | 1 | 1 |
| 6 | 597 94 50-01 | PROTECTION | | 1 | 1 |



STARTER

G1300P, 967664906, 2018-08

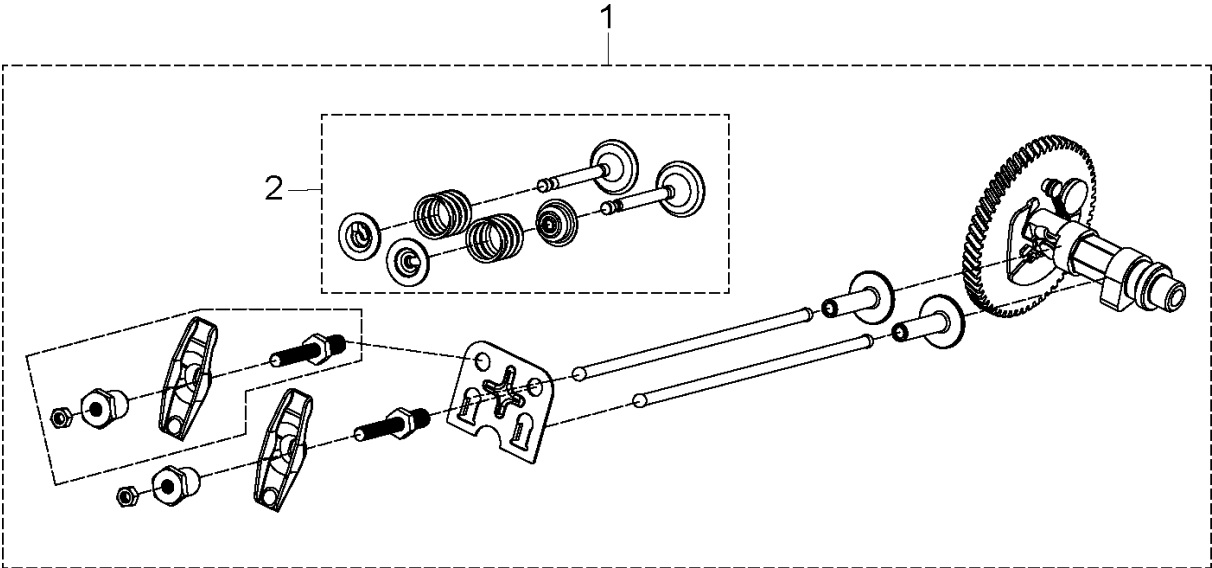
| Ref | Part No | Description | Remark | QTY KIT |
|-----|--------------|-----------------|--------|---------|
| 1 | 596 60 52-01 | STARTER ASSY | | 1 |
| 2 | 589 87 39-01 | STARTER HOUSING | | 1 |
| 3 | 587 95 15-01 | BOLT | | 4 |
| 4 | 589 91 27-01 | PLUG | | 1 |
| 5 | 596 60 59-01 | STARTER ASSY | | 1 |
| 6 | 589 87 95-01 | HANDLE | | 1 |
| 7 | 589 91 42-01 | WASHER | | 3 |
| 8 | 589 91 43-01 | BOLT | | 3 |



THROTTLE CONTROLS

G1300P, 967664906, 2018-08

| Ref | Part No | Description | Remark | QTY KIT |
|-----|--------------|-----------------------|--------|---------|
| 1 | 598 62 83-01 | THROTTLE CONTROL ASSY | | 1 |

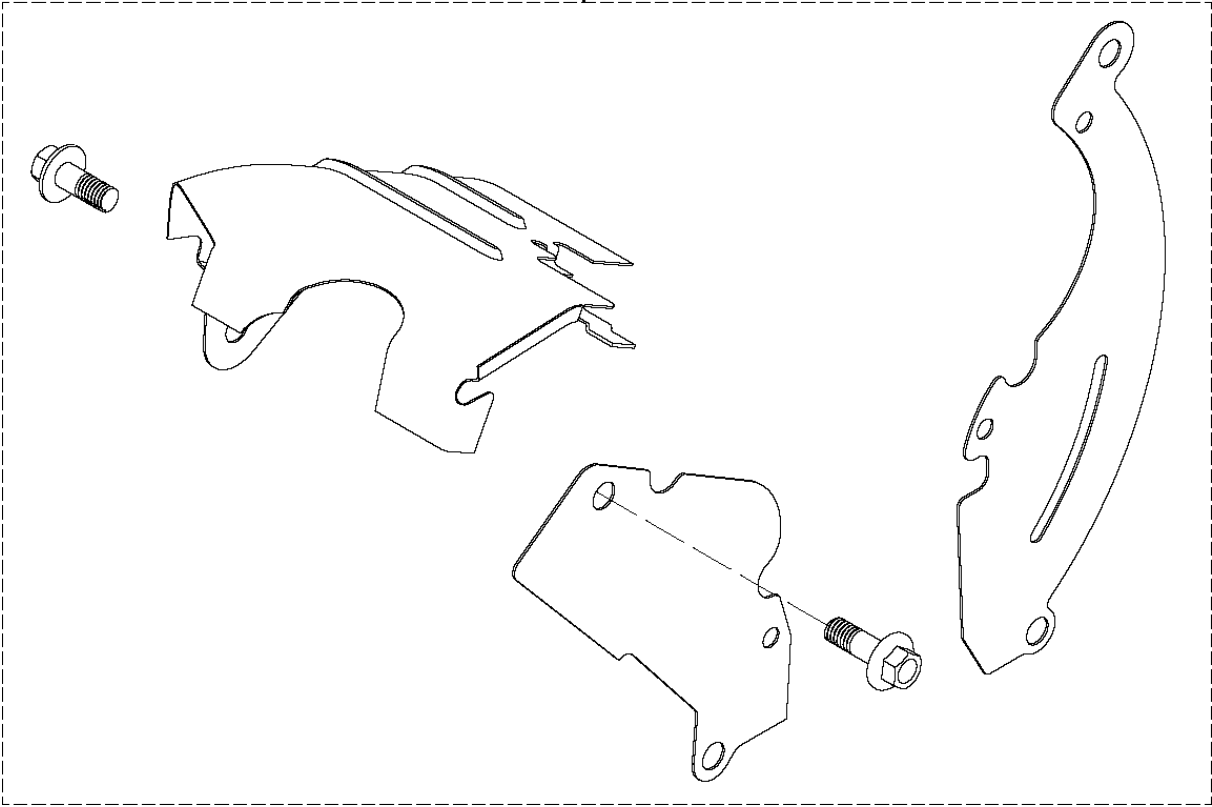


VALVE & CAMSHAFT

G1300P, 967664906, 2018-08

| Ref | Part No | Description | Remark | QTY KIT |
|-----|--------------|-------------|--------|---------|
| 1 | 596 70 30-01 | VALVE | | 1 |
| 2 | 596 70 26-01 | VALVE KIT | | 1 |

1



| Ref | Part No | Description | Remark | QTY KIT |
|-----|--------------|-------------|--------|---------|
| 1 | 596 70 34-01 | DEFLECTOR | | 1 |