

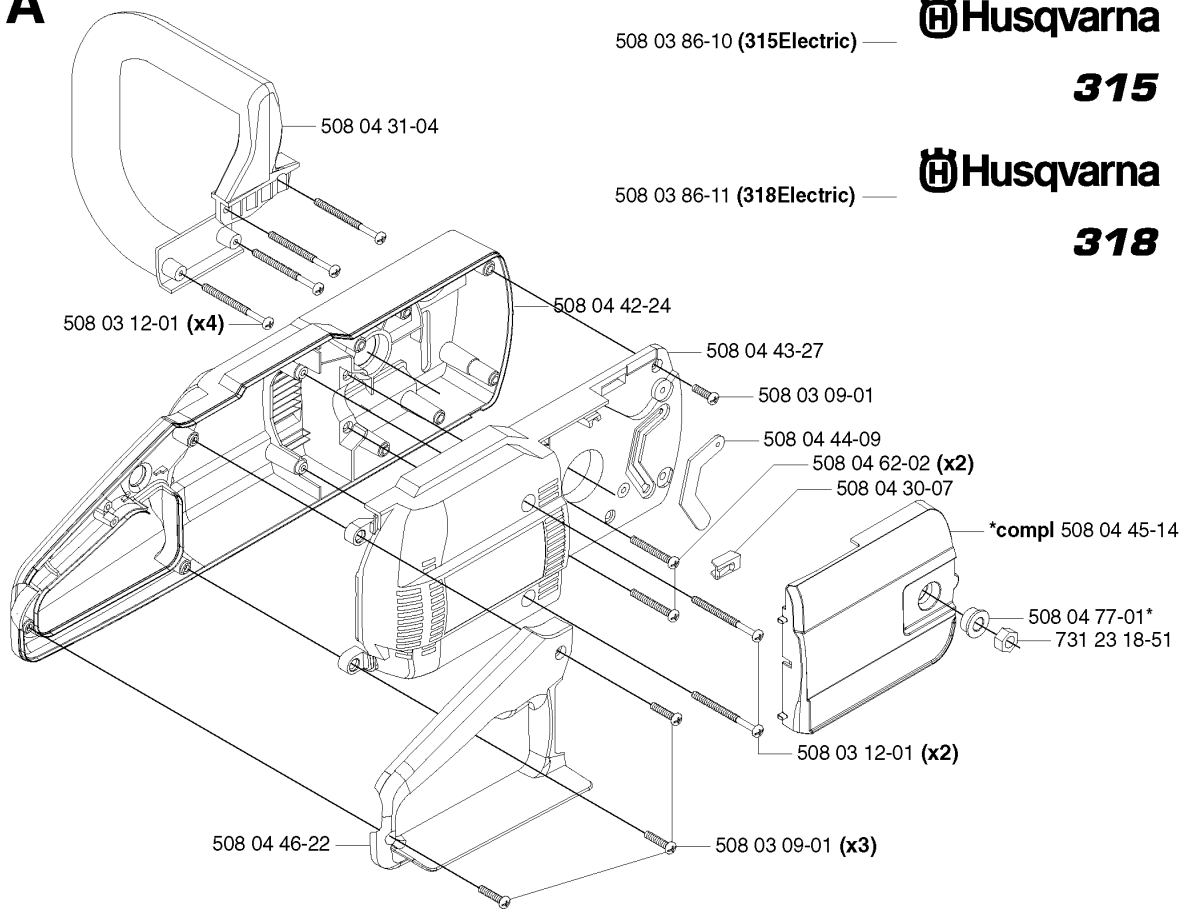


SPARE PARTS LIST

CHAIN SAWS: ELECTRIC

318 ELECTRIC, 20030100001-Current

A HUSQVARNA 315Electric, 318Electric



 **Husqvarna**

315

 **Husqvarna**

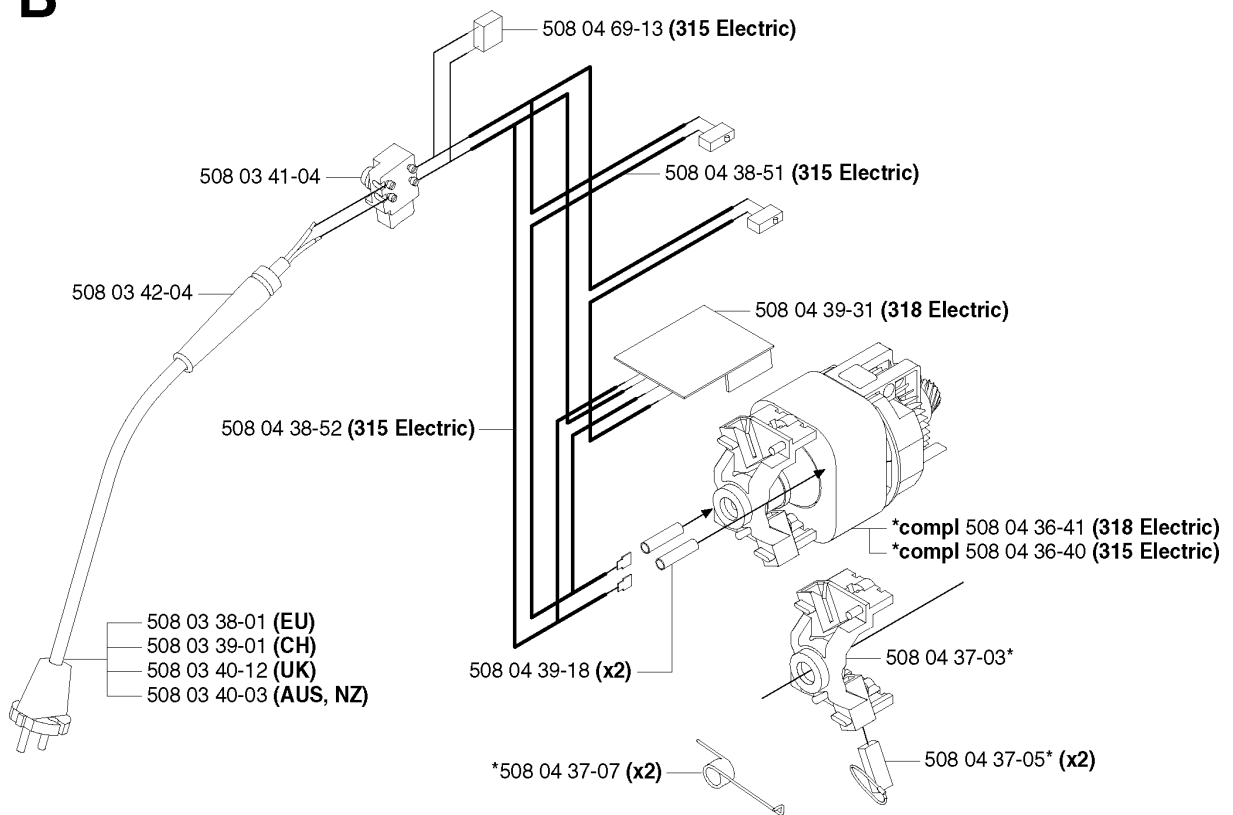
318

CHASSIS / FRAME

318 ELECTRIC, 20030100001-Current

Part No	Description	Remark	QTY KIT
508 03 09-01	SCREW		3
508 03 09-01	SCREW		1
508 03 12-01	SCREW		4
508 03 12-01	SCREW		2
508 03 86-10	DECAL	315ELECTRIC	1
508 03 86-11	DECAL	318ELECTRIC	1
508 04 30-07	COVER		1
508 04 31-04	TUBULAR HANDLE		1
508 04 42-24	HOUSING		1
508 04 43-27	HOUSING		1
508 04 44-09	GASKET		1
508 04 45-14	COVER		1
508 04 46-22	HANDLE		1
508 04 62-02	SCREW		2
508 04 77-01	SPACER		1
731 23 18-51	HEXAGON NUT		1

B

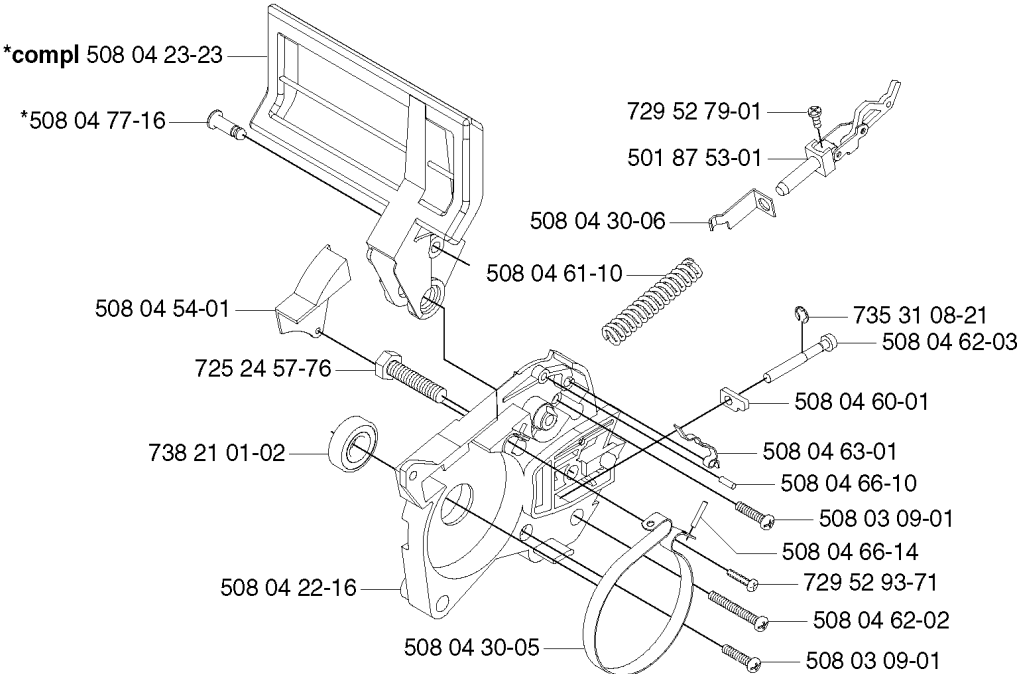


ELECTRICAL

318 ELECTRIC, 20030100001-Current

Part No	Description	Remark	QTY KIT
508 03 38-01	CABLE ASSY	EU	1
508 03 39-01	CABLE ASSY	CH	1
508 03 40-03	CABLE ASSY	AUS, NZ	1
508 03 40-12	CABLE ASSY	UK	1
508 03 41-04	SWITCH		1
508 03 42-04	SLEEVE		1
508 04 36-40	ENGINE	315 ELECTRIC	1
508 04 36-41	ENGINE	318 ELECTRIC	1
508 04 37-03	BRACKET		1
508 04 37-05	BRUSH		2
508 04 37-07	SPRING		2
508 04 38-51	MICRO SWITCH	315 ELECTRIC	1
508 04 38-52	WIRING	315 ELECTRIC	1
508 04 39-18	SHELL		2
508 04 39-31	PRINTED CIRCUIT CARD	318 ELECTRIC	1
508 04 69-13	CAPACITOR	315 ELECTRIC	1

C

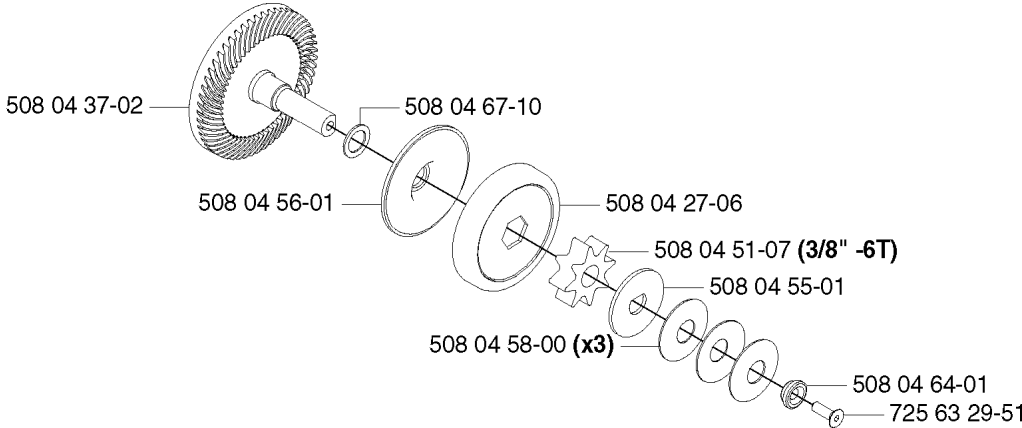


CHAIN BRAKE

318 ELECTRIC, 20030100001-Current

Part No	Description	Remark	QTY KIT
501 87 53-01	KNEE JOINT ASSY		1
508 03 09-01	SCREW		1
508 03 09-01	SCREW		1
508 04 22-16	BRACKET		1
508 04 23-23	LOOP		1
508 04 30-05	BRAKE BAND		1
508 04 30-06	SPRING		1
508 04 54-01	INSULATOR		1
508 04 60-01	CHAIN TENSIONER		1
508 04 61-10	SPRING		1
508 04 62-02	SCREW		1
508 04 62-03	SCREW		1
508 04 63-01	SPRING		1
508 04 66-10	PEN		1
508 04 66-14	SCREW		1
508 04 77-16	PIN RETAINING SCREW		1
725 24 57-76	SCREW EHHM		1
729 52 79-01	SCREW CRPANT		1
729 52 93-71	SCREW CRPANT		1
735 31 08-21	E-CLIP		1
738 21 01-02	BALL BEARING		1

D

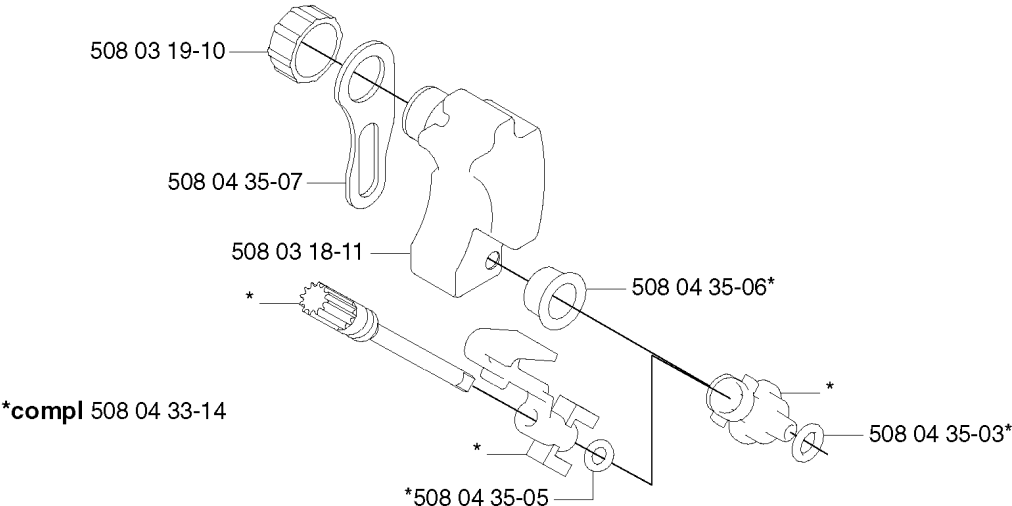


CLUTCH

318 ELECTRIC, 20030100001-Current

Part No	Description	Remark	QTY KIT
508 04 27-06	CLUTCH DRUM		1
508 04 37-02	GEAR WHEEL		1
508 04 51-07	GEAR	3/8 -6T	1
508 04 55-01	PLATE		1
508 04 56-01	PLATE		1
508 04 58-00	WASHER		3
508 04 64-01	CARRIER		1
508 04 67-10	WASHER		1
725 63 29-51	SCREW IHCSFM		1

E

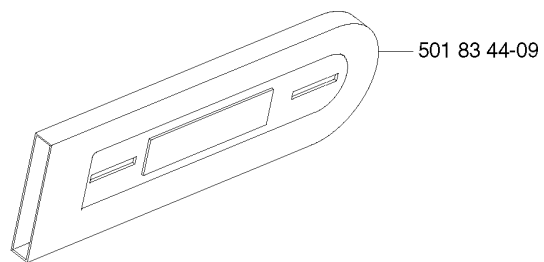
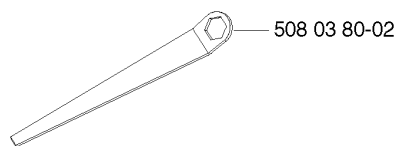


OIL TANK

318 ELECTRIC, 20030100001-Current

Part No	Description	Remark	QTY KIT
508 03 18-11	TANK		1
508 03 19-10	TANK		1
508 04 33-14	OIL PUMP		1
508 04 35-03	O-RING		1
508 04 35-05	O-RING		1
508 04 35-06	SEALING		1
508 04 35-07	GASKET		1

F Accessories
Zubehöre
Accessoires
Acessorios
Tillbehör



ACCESSORIES

318 ELECTRIC, 20030100001-Current

Part No	Description	Remark	QTY KIT
501 83 44-09	BAR COVER		1
508 03 80-02	WRENCH		1