

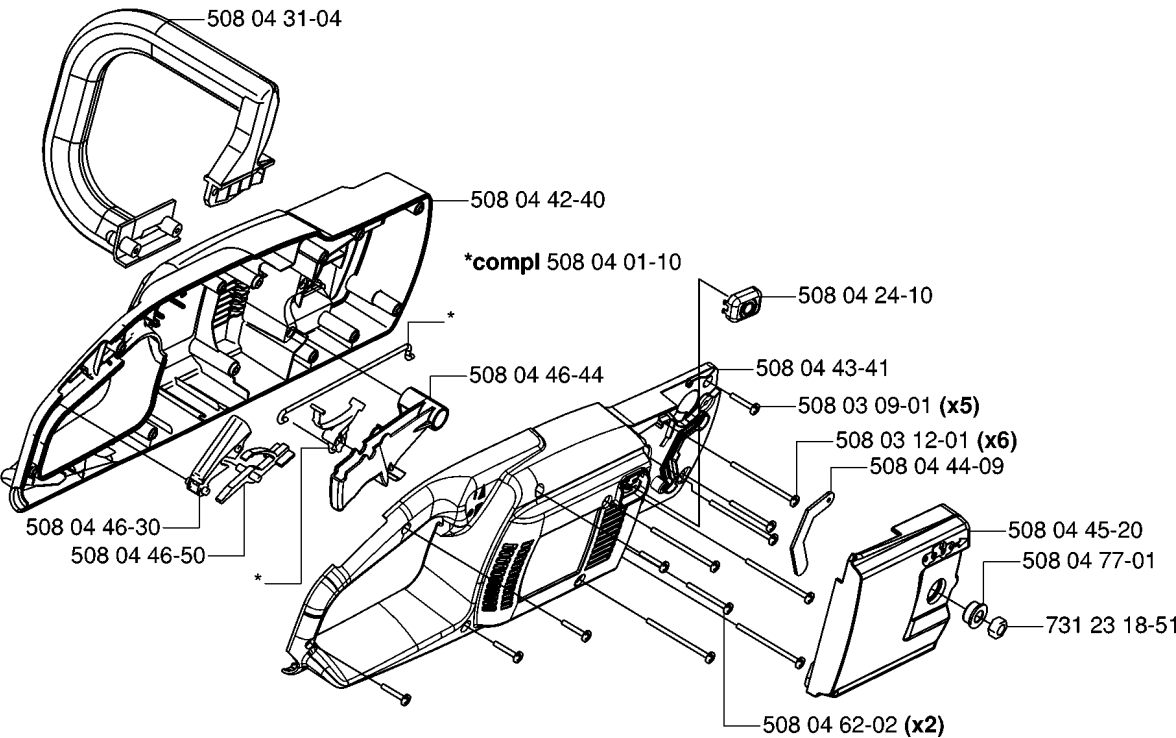


SPARE PARTS LIST

CHAIN SAWS: ELECTRIC

317 ELECTRIC, 20061900001-Current

A

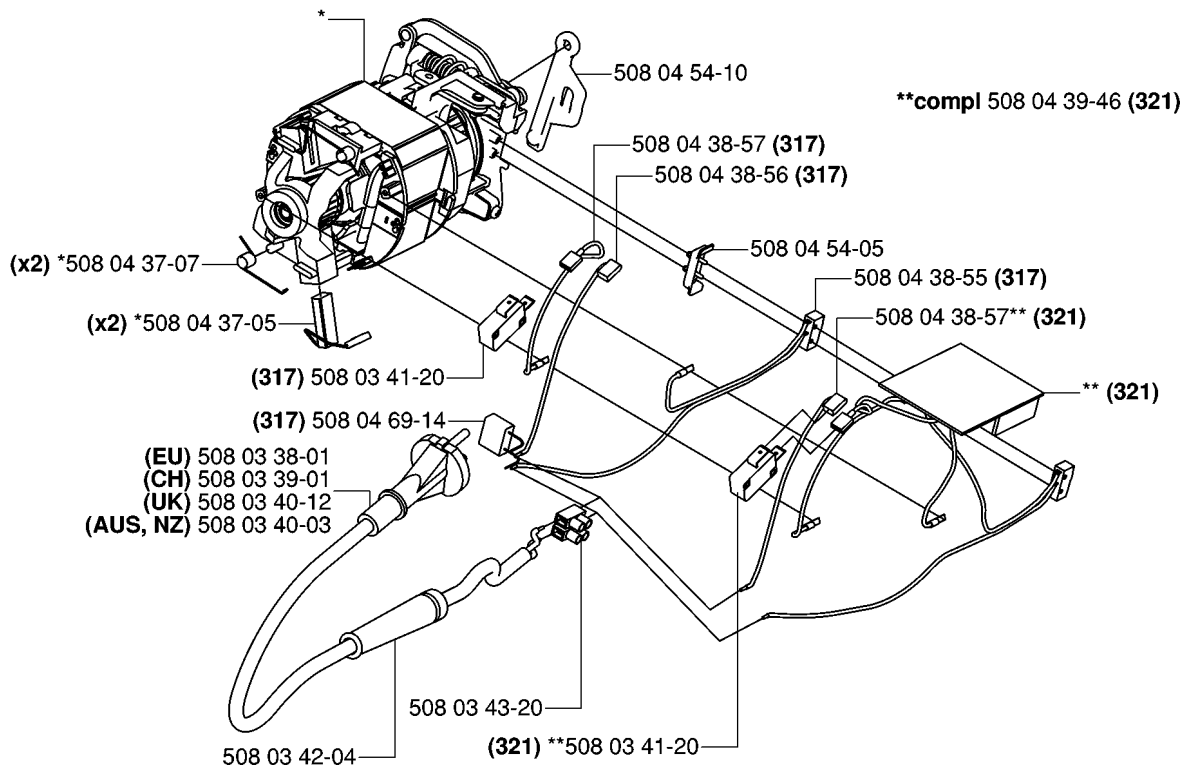


CHASSIS / FRAME

317 ELECTRIC, 20061900001-Current

Part No	Description	Remark	QTY KIT
508 03 09-01	SCREW		5
508 03 12-01	SCREW		6
508 04 01-10	NONAME		1
508 04 24-10	LEVER		1
508 04 31-04	TUBULAR HANDLE		1
508 04 42-40	HOUSING		1
508 04 43-41	LEVER		1
508 04 44-09	GASKET		1
508 04 45-20	COVER		1
508 04 46-30	LEVER		1
508 04 46-44	LEVER		1
508 04 46-50	LEVER		1
508 04 62-02	SCREW		2
508 04 77-01	SPACER		1
731 23 18-51	HEXAGON NUT		1

B *compl 508 04 36-51 (321)
 *compl 508 04 36-50 (317)

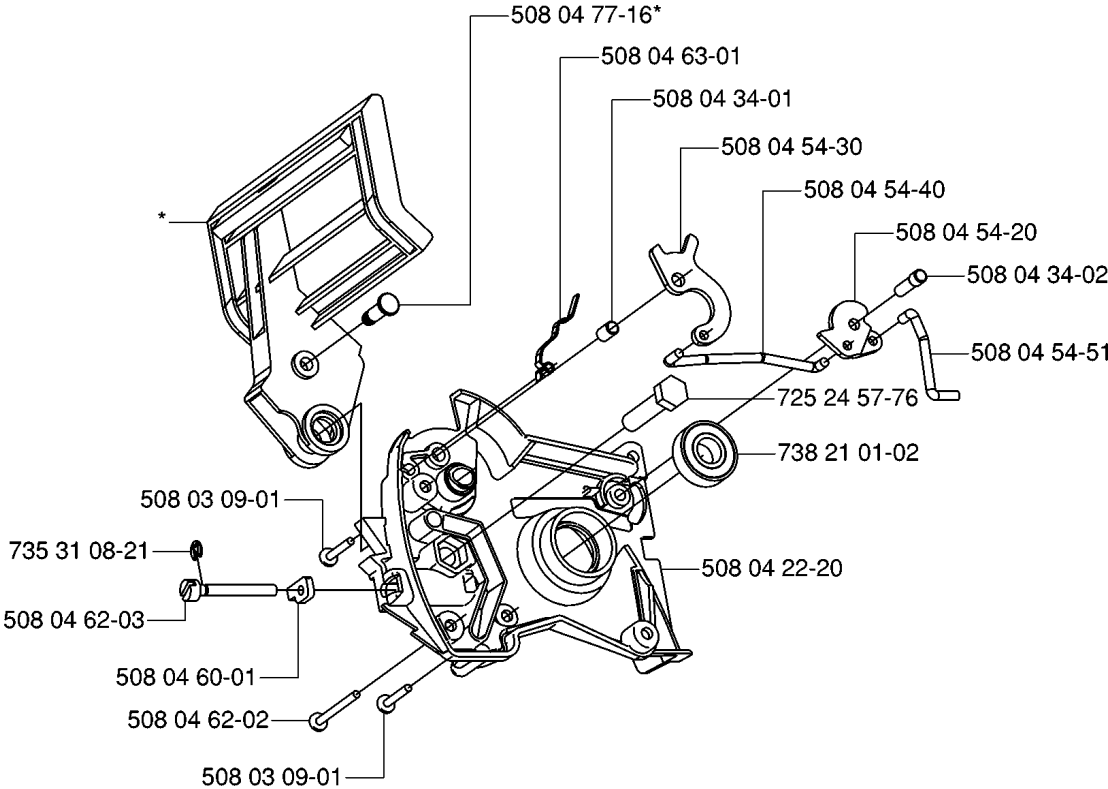


ELECTRICAL

317 ELECTRIC, 20061900001-Current

Part No	Description	Remark	QTY KIT
508 03 38-01	CABLE ASSY	EU	1
508 03 39-01	CABLE ASSY	CH	1
508 03 40-03	CABLE ASSY	AUS, NZ	1
508 03 40-12	CABLE ASSY	UK	1
508 03 41-20	BRAKER	321	1
508 03 41-20	BRAKER	317	1
508 03 42-04	SLEEVE		1
508 03 43-20	SWITCH		1
508 04 36-50	ENGINE	317	1
508 04 36-51	ENGINE	321	1
508 04 37-05	BRUSH		2
508 04 37-07	SPRING		2
508 04 38-55	CABLE	317	1
508 04 38-56	CABLE ASSY	317	1
508 04 38-57	CABLE ASSY	321	1
508 04 38-57	CABLE ASSY	317	1
508 04 39-46	PRINTED CIRCUIT CARD	321	1
508 04 54-05	BRAKER		1
508 04 54-10	PLATE		1
508 04 69-14	CAPACITOR	317	1

C *compl 508 04 23-23

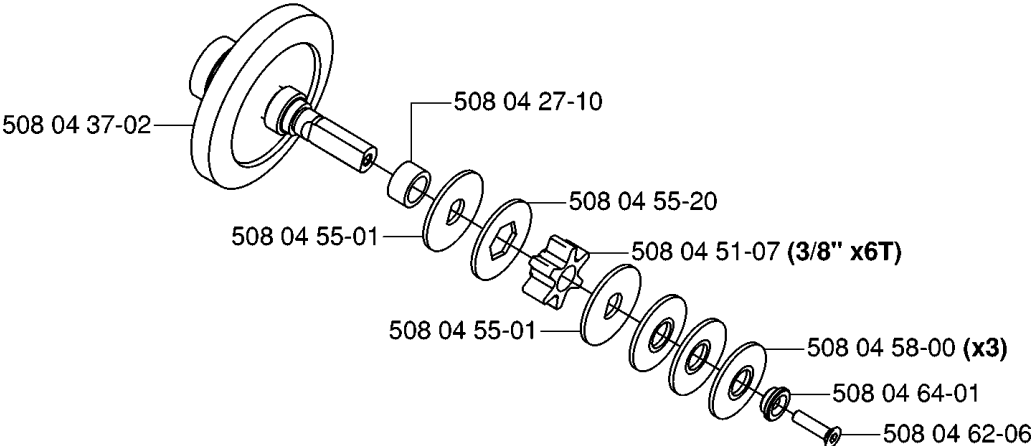


CHAIN BRAKE

317 ELECTRIC, 20061900001-Current

Part No	Description	Remark	QTY KIT
508 03 09-01	SCREW		1
508 03 09-01	SCREW		1
508 04 22-20	BRACKET		1
508 04 23-23	LOOP		1
508 04 34-01	PEN		1
508 04 34-02	PEN		1
508 04 54-20	LEVER		1
508 04 54-30	LEVER		1
508 04 54-40	ARM		1
508 04 54-51	ARM		1
508 04 60-01	CHAIN TENSIONER		1
508 04 62-02	SCREW		1
508 04 62-03	SCREW		1
508 04 63-01	SPRING		1
508 04 77-16	PIN RETAINING SCREW		1
725 24 57-76	SCREW EHHM		1
735 31 08-21	E-CLIP		1
738 21 01-02	BALL BEARING		1

D



CLUTCH

317 ELECTRIC, 20061900001-Current

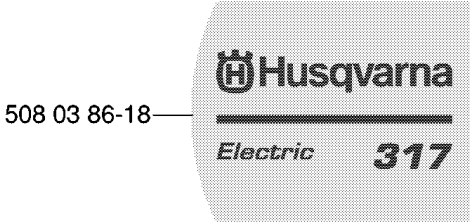
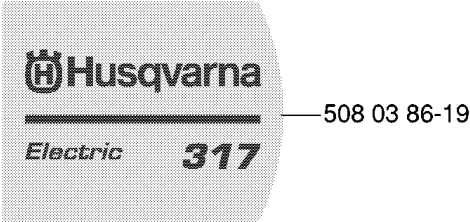
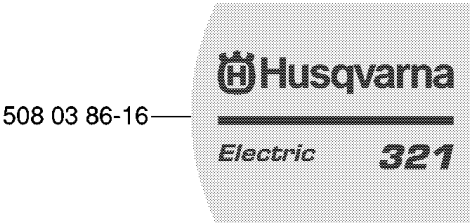
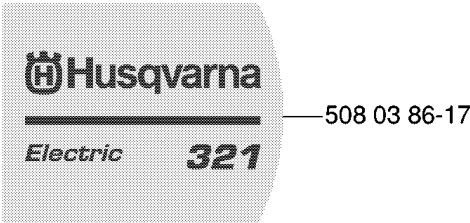
Part No	Description	Remark	QTY KIT
508 04 27-10	SPACER		1
508 04 37-02	GEAR WHEEL		1
508 04 51-07	GEAR	3/8 X6T	1
508 04 55-01	PLATE		1
508 04 55-01	PLATE		1
508 04 55-20	WASHER		1
508 04 58-00	WASHER		3
508 04 62-06	LEVER		1
508 04 64-01	CARRIER		1

OIL TANK

317 ELECTRIC, 20061900001-Current

Part No	Description	Remark	QTY KIT
508 03 18-12	TANK		1
508 03 19-10	TANK		1
508 04 33-14	OIL PUMP		1
508 04 35-03	O-RING		1
508 04 35-05	O-RING		1
508 04 35-06	SEALING		1
508 04 35-08	GASKET		1

F

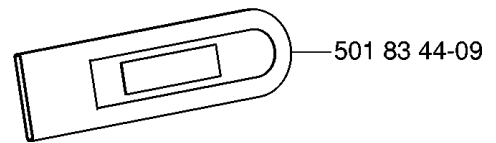
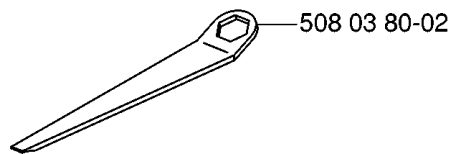


DECALS

317 ELECTRIC, 20061900001-Current

Part No	Description	Remark	QTY KIT
508 03 86-16	DECAL		1
508 03 86-17	DECAL		1
508 03 86-18	DECAL		1
508 03 86-19	DECAL		1

G Accessories
Zubehöre
Accessoires
Acessorios
Tillbehör



ACCESSORIES

317 ELECTRIC, 20061900001-Current

Part No	Description	Remark	QTY KIT
501 83 44-09	BAR COVER		1
508 03 80-02	WRENCH		1