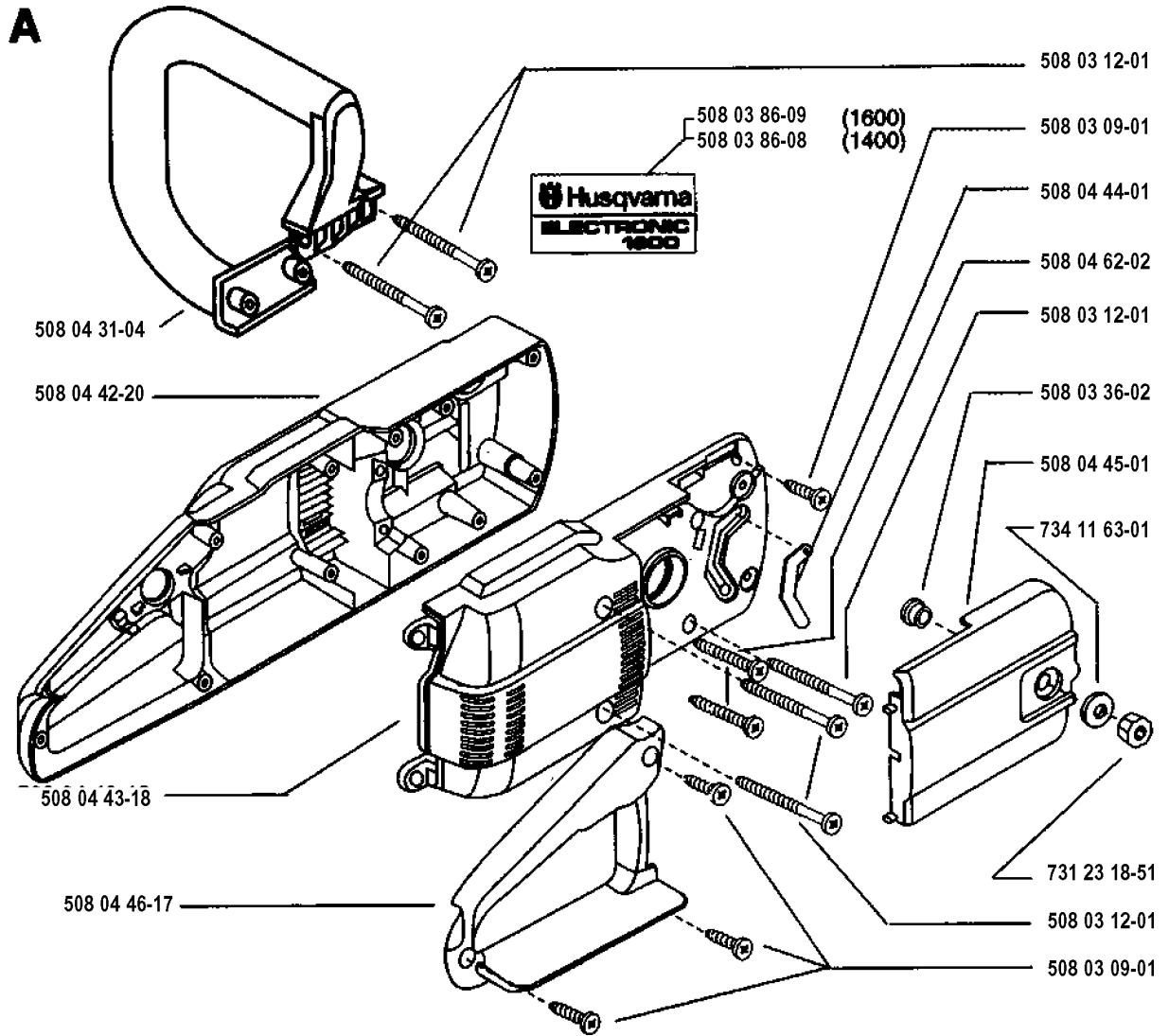




SPARE PARTS LIST

CHAIN SAWS: ELECTRIC

1600 ELECTRIC, 19953600001-Current

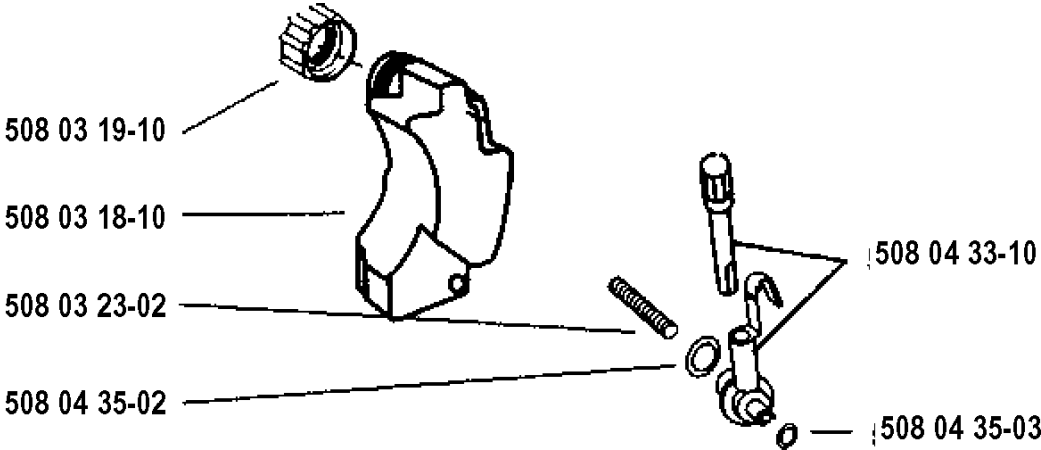


CHASSIS / FRAME

1600 ELECTRIC, 19953600001-Current

| Part No | Description | Remark | QTY KIT |
|--------------|----------------|--------|---------|
| 508 03 09-01 | SCREW | | 1 |
| 508 03 09-01 | SCREW | | 1 |
| 508 03 12-01 | SCREW | | 1 |
| 508 03 12-01 | SCREW | | 1 |
| 508 03 12-01 | SCREW | | 1 |
| 508 03 36-02 | SPACER | | 1 |
| 508 03 86-08 | DECAL | 1400 | 1 |
| 508 03 86-09 | DECAL | 1600 | 1 |
| 508 04 31-04 | TUBULAR HANDLE | | 1 |
| 508 04 42-20 | MOTOR HIUSING | | 1 |
| 508 04 43-18 | HOUSING | | 1 |
| 508 04 44-01 | GASKET | | 1 |
| 508 04 45-01 | CHAIN COVER | | 1 |
| 508 04 46-17 | HANDLE | | 1 |
| 508 04 62-02 | SCREW | | 1 |
| 731 23 18-51 | HEXAGON NUT | | 1 |
| 734 11 63-01 | WASHER | | 1 |

B

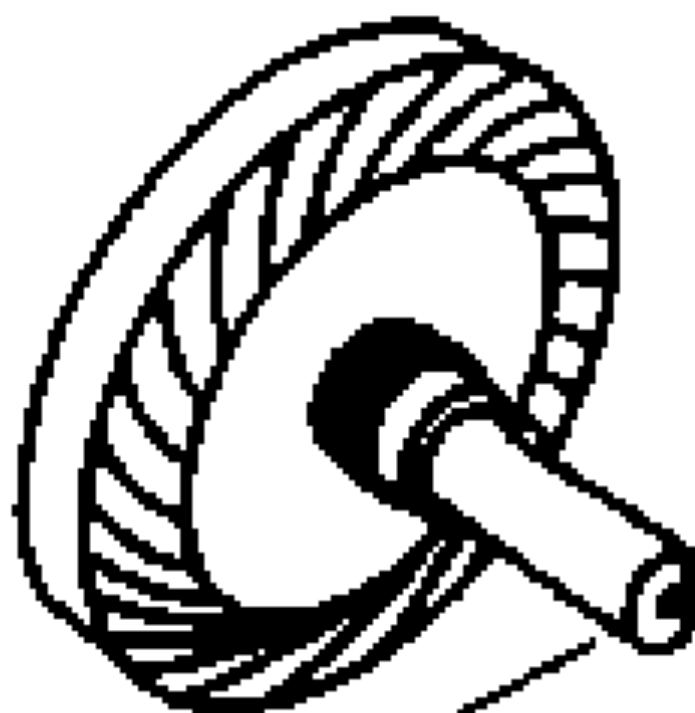


FUEL TANK

1600 ELECTRIC, 19953600001-Current

| Part No | Description | Remark | QTY KIT |
|--------------|-------------|--------|---------|
| 508 03 18-10 | OIL TANK | | 1 |
| 508 03 19-10 | TANK | | 1 |
| 508 03 23-02 | OIL FILTER | | 1 |
| 508 04 33-10 | OIL PUMP | | 1 |
| 508 04 35-02 | O-RING | | 1 |
| 508 04 35-03 | O-RING | | 1 |

C



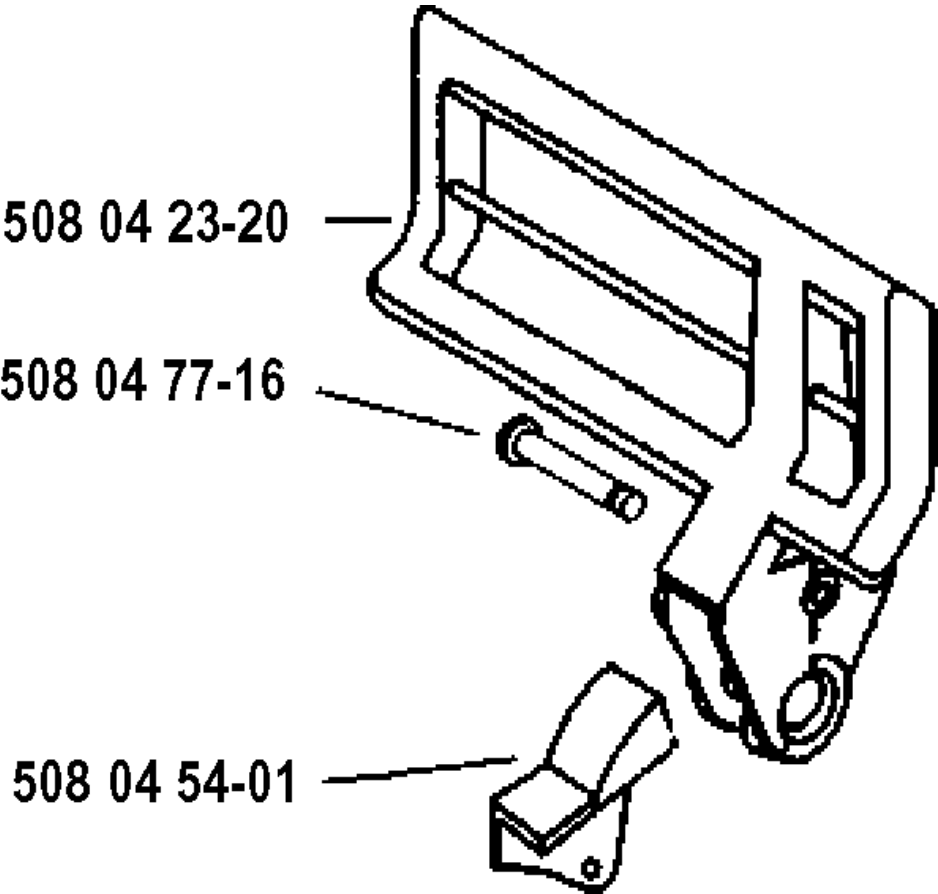
508 04 37-02

CLUTCH

1600 ELECTRIC, 19953600001-Current

| Part No | Description | Remark | QTY KIT |
|--------------|-------------|--------|---------|
| 508 04 37-02 | GEAR WHEEL | | 1 |

D

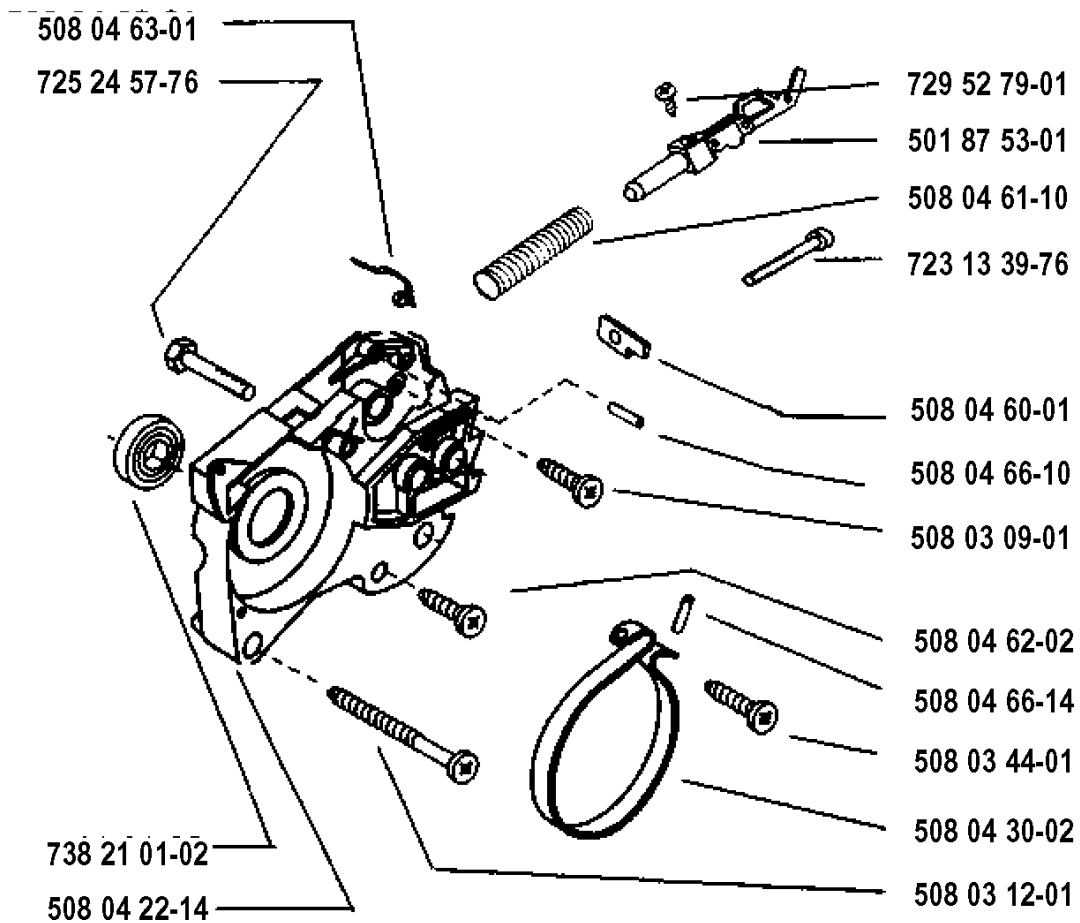


HANDLE

1600 ELECTRIC, 19953600001-Current

| Part No | Description | Remark | QTY KIT |
|--------------|---------------------|--------|---------|
| 508 04 23-20 | LOOP | | 1 |
| 508 04 54-01 | INSULATOR | | 1 |
| 508 04 77-16 | PIN RETAINING SCREW | | 1 |

E

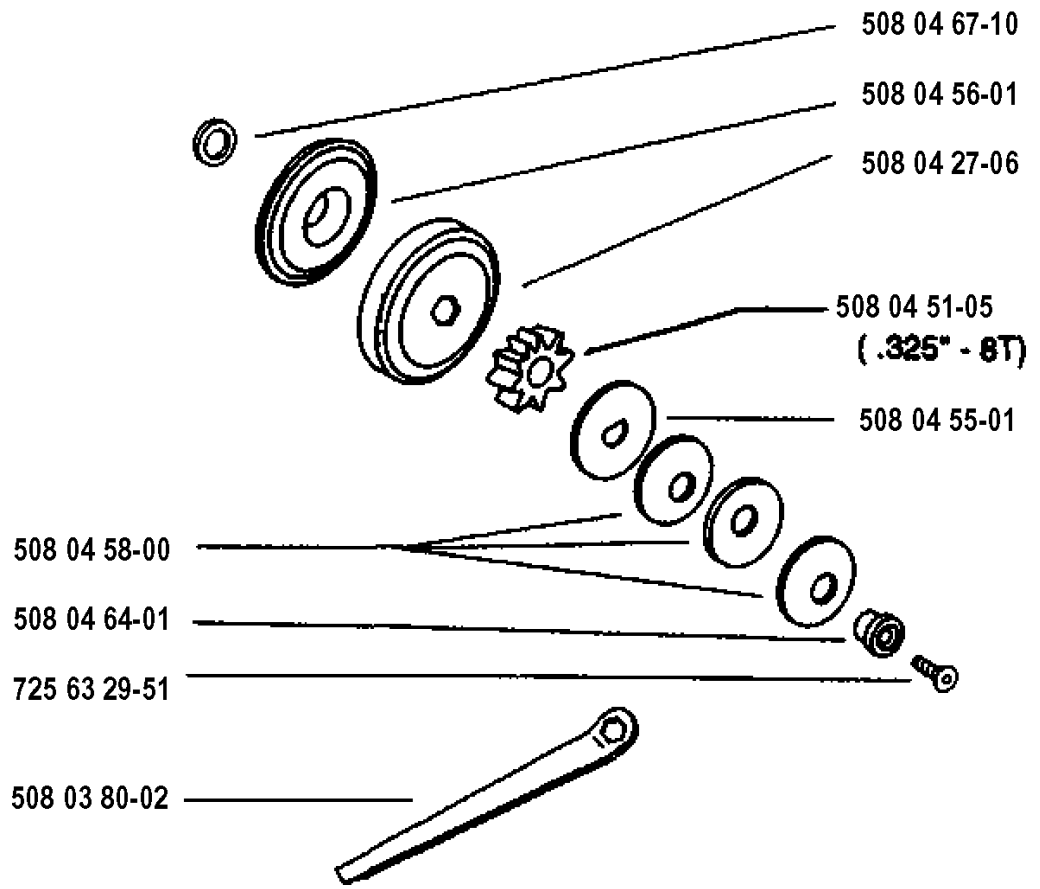


CHAIN BRAKE

1600 ELECTRIC, 19953600001-Current

| Part No | Description | Remark | QTY KIT |
|--------------|-----------------|--------|---------|
| 501 87 53-01 | KNEE JOINT ASSY | | 1 |
| 508 03 09-01 | SCREW | | 1 |
| 508 03 12-01 | SCREW | | 1 |
| 508 03 44-01 | SCREW | | 1 |
| 508 04 22-14 | BRACKET | | 1 |
| 508 04 30-02 | BRAKE BAND | | 1 |
| 508 04 60-01 | CHAIN TENSIONER | | 1 |
| 508 04 61-10 | SPRING | | 1 |
| 508 04 62-02 | SCREW | | 1 |
| 508 04 63-01 | SPRING | | 1 |
| 508 04 66-10 | PEN | | 1 |
| 508 04 66-14 | SCREW | | 1 |
| 723 13 39-76 | SCREW SLCHM | | 1 |
| 725 24 57-76 | SCREW EHHM | | 1 |
| 729 52 79-01 | SCREW CRPANT | | 1 |
| 738 21 01-02 | BALL BEARING | | 1 |

G



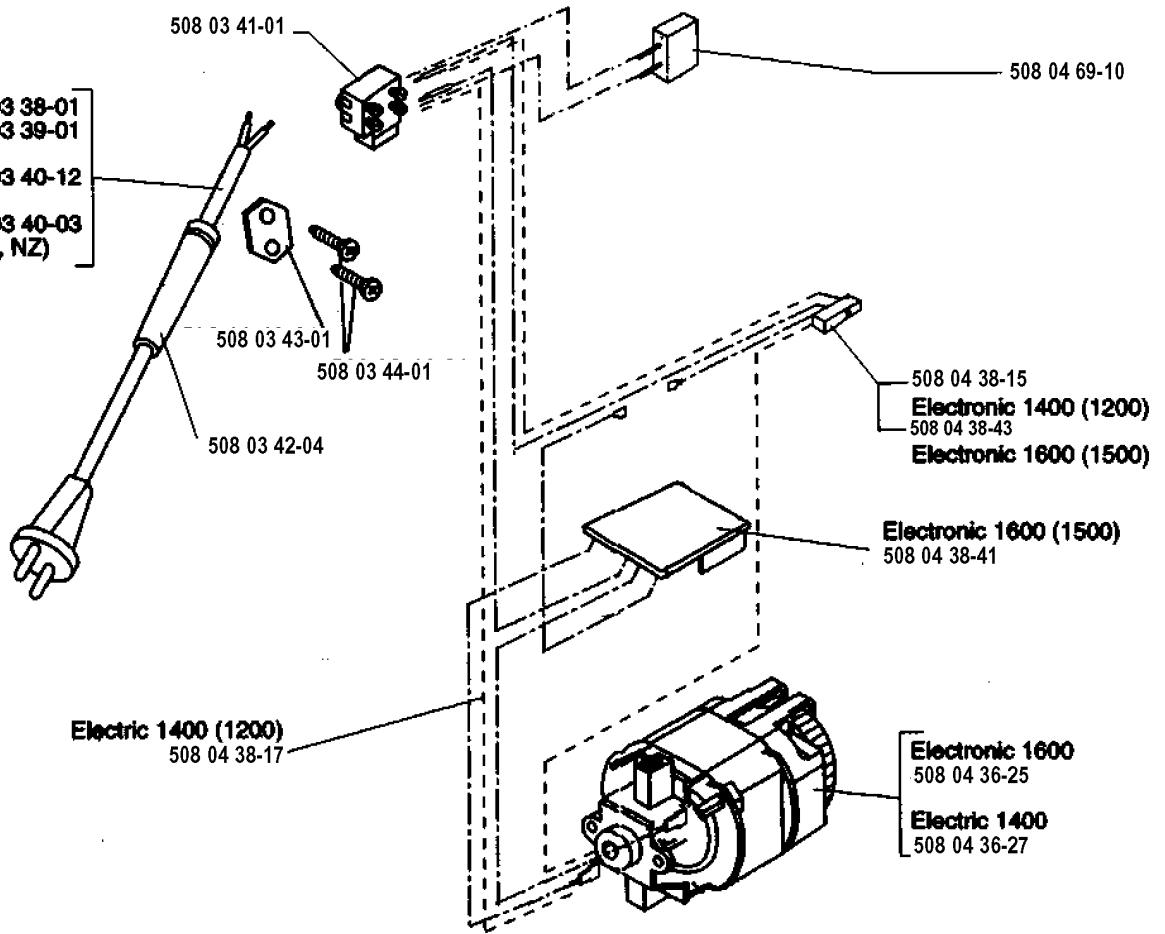
CLUTCH

1600 ELECTRIC, 19953600001-Current

| Part No | Description | Remark | QTY KIT |
|--------------|--------------|-----------|---------|
| 508 03 80-02 | WRENCH | | 1 |
| 508 04 27-06 | CLUTCH DRUM | | 1 |
| 508 04 51-05 | GEAR | .325 - 8T | 1 |
| 508 04 55-01 | PLATE | | 1 |
| 508 04 56-01 | PLATE | | 1 |
| 508 04 58-00 | WASHER | | 1 |
| 508 04 64-01 | CARRIER | | 1 |
| 508 04 67-10 | WASHER | | 1 |
| 725 63 29-51 | SCREW IHCSFM | | 1 |

F

- 508 03 38-01
- 508 03 39-01 (CH)
- 508 03 40-12 (UK)
- 508 03 40-03 (AUS, NZ)



ELECTRICAL

1600 ELECTRIC, 19953600001-Current

| Part No | Description | Remark | QTY KIT |
|--------------|----------------------|------------------------|---------|
| 508 03 38-01 | CABLE ASSY | | 1 |
| 508 03 39-01 | CABLE ASSY | CH | 1 |
| 508 03 40-03 | CABLE ASSY | AUS, NZ | 1 |
| 508 03 40-12 | CABLE ASSY | UK | 1 |
| 508 03 41-01 | SWITCH | | 1 |
| 508 03 42-04 | SLEEVE | | 1 |
| 508 03 43-01 | CABLE CLAMP | | 1 |
| 508 03 44-01 | SCREW | | 1 |
| 508 04 36-25 | ENGINE | ELECTRONIC 1600 | 1 |
| 508 04 36-27 | ENGINE | ELECTRIC 1400 | 1 |
| 508 04 38-15 | MICRO SWITCH | ELECTRONIC 1400 (1200) | 1 |
| 508 04 38-17 | LEAD | ELECTRIC 1400 (1200) | 1 |
| 508 04 38-41 | PRINTED CIRCUIT CARD | ELECTRONIC 1600 (1500) | 1 |
| 508 04 38-43 | SWITCH | ELECTRONIC 1600 (1500) | 1 |
| 508 04 69-10 | CAPACITOR | | 1 |