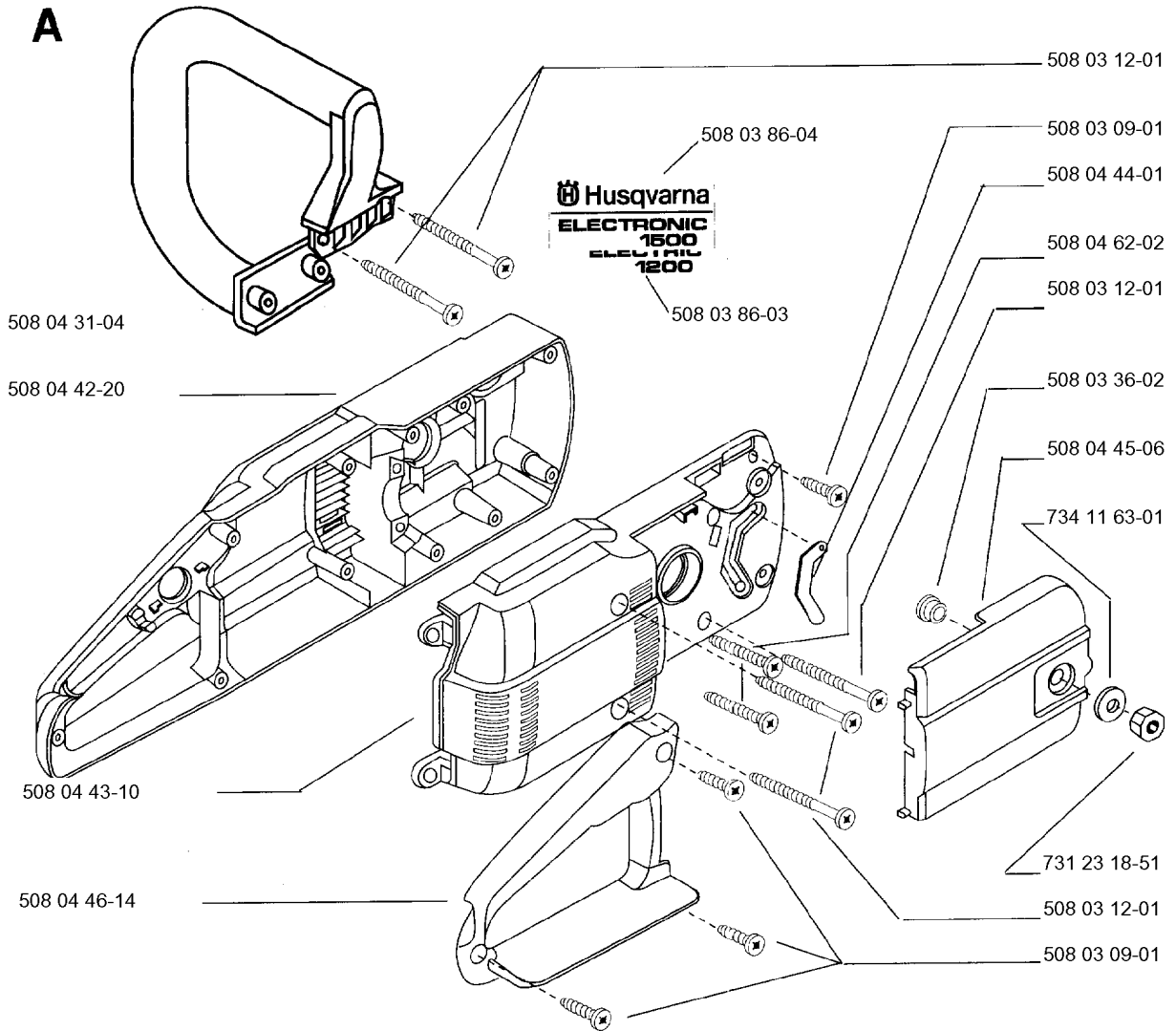




SPARE PARTS LIST

CHAIN SAWS: ELECTRIC

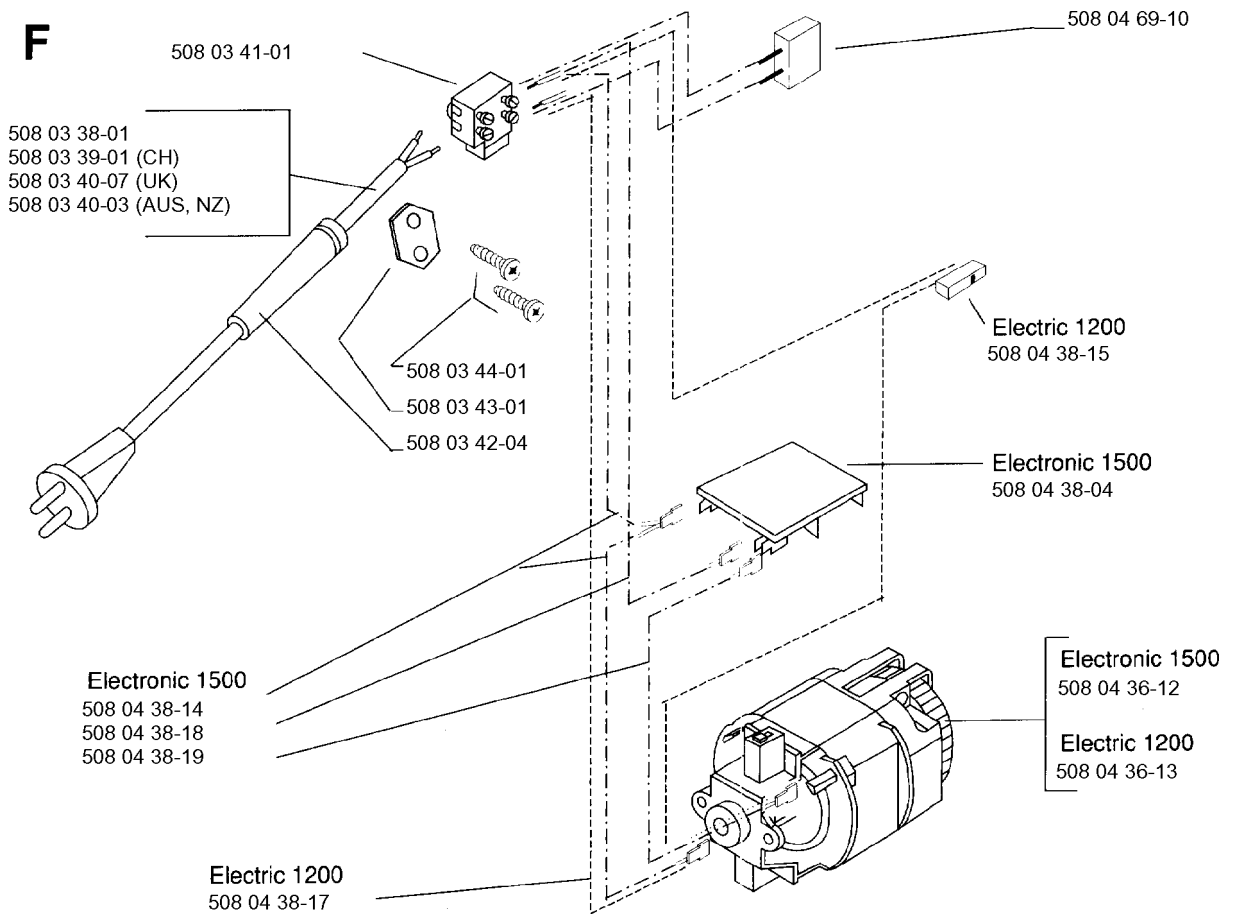
1500 ELECTRIC, 1993-05



CHASSIS / FRAME

1500 ELECTRIC, 1993-05

Part No	Description	Remark	QTY KIT
508 03 09-01	SCREW		1
508 03 09-01	SCREW		1
508 03 12-01	SCREW		1
508 03 12-01	SCREW		1
508 03 12-01	SCREW		1
508 03 36-02	SPACER		1
508 03 86-03	DECAL		1
508 03 86-04	DECAL		1
508 04 31-04	TUBULAR HANDLE		1
508 04 42-20	MOTOR HIUSING		1
508 04 43-10	MOTOR HOUSINGR		1
508 04 44-01	GASKET		1
508 04 45-06	SHAIN COVER		1
508 04 46-14	HANDLE		1
508 04 62-02	SCREW		1
731 23 18-51	HEXAGON NUT		1
734 11 63-01	WASHER		1



ELECTRICAL

1500 ELECTRIC, 1993-05

Part No	Description	Remark	QTY KIT
508 03 38-01	CABLE ASSY		1
508 03 39-01	CABLE ASSY	CH	1
508 03 40-03	CABLE ASSY	AUS, NZ	1
508 03 40-07	CABLE W/PLUG	UK	1
508 03 41-01	SWITCH		1
508 03 42-04	SLEEVE		1
508 03 43-01	CABLE CLAMP		1
508 03 44-01	SCREW		1
508 04 36-12	ENGINE	ELECTRONIC 1500	1
508 04 36-13	ENGINE	ELECTRIC 1200	1
508 04 38-04	PRINTED CIRCUIT CARD	ELECTRONIC 1500	1
508 04 38-14	LEAD	ELECTRONIC 1500	1
508 04 38-15	MICRO SWITCH	ELECTRIC 1200	1
508 04 38-17	LEAD	ELECTRIC 1200	1
508 04 38-18	LEAD		1
508 04 38-19	LEAD		1
508 04 69-10	CAPACITOR		1

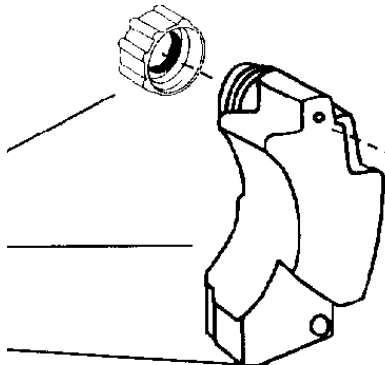
B

508 03 19-10

508 03 18-10

508 03 23-02

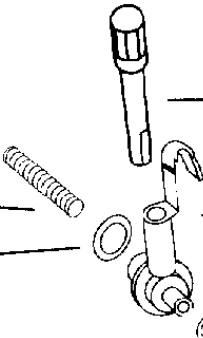
508 04 35-02



508 03 76-01

508 04 33-01

508 04 35-03

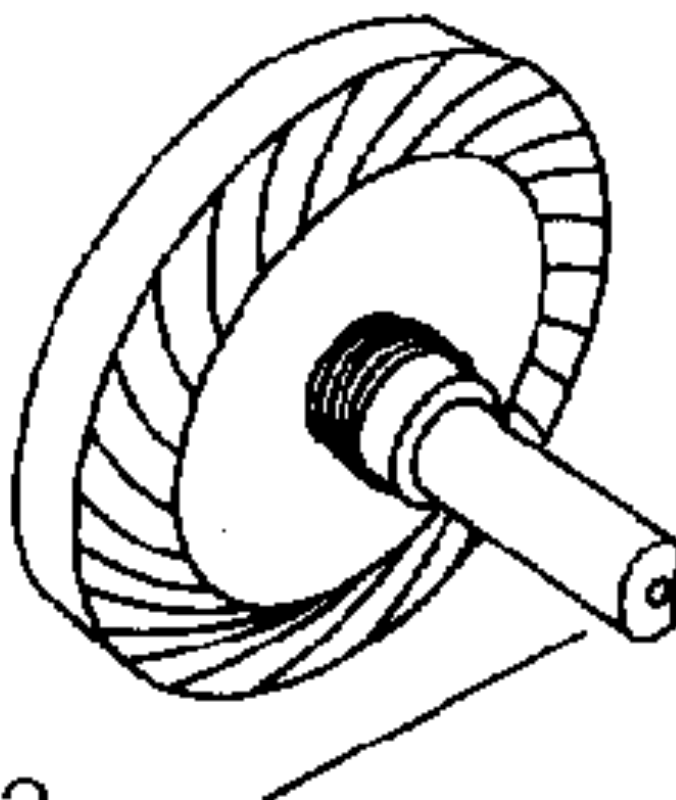


FUEL TANK

1500 ELECTRIC, 1993-05

Part No	Description	Remark	QTY KIT
508 03 18-10	OIL TANK		1
508 03 19-10	TANK		1
508 03 23-02	OIL FILTER		1
508 03 76-01	PUMP PLUNGER		1
508 04 33-01	PUMP CYLINDER		1
508 04 35-02	O-RING		1
508 04 35-03	O-RING		1

C



508 04 37-02

CLUTCH

1500 ELECTRIC, 1993-05

Part No	Description	Remark	QTY KIT
508 04 37-02	GEAR WHEEL		1

D

508 04 23-01

501 87 49-01

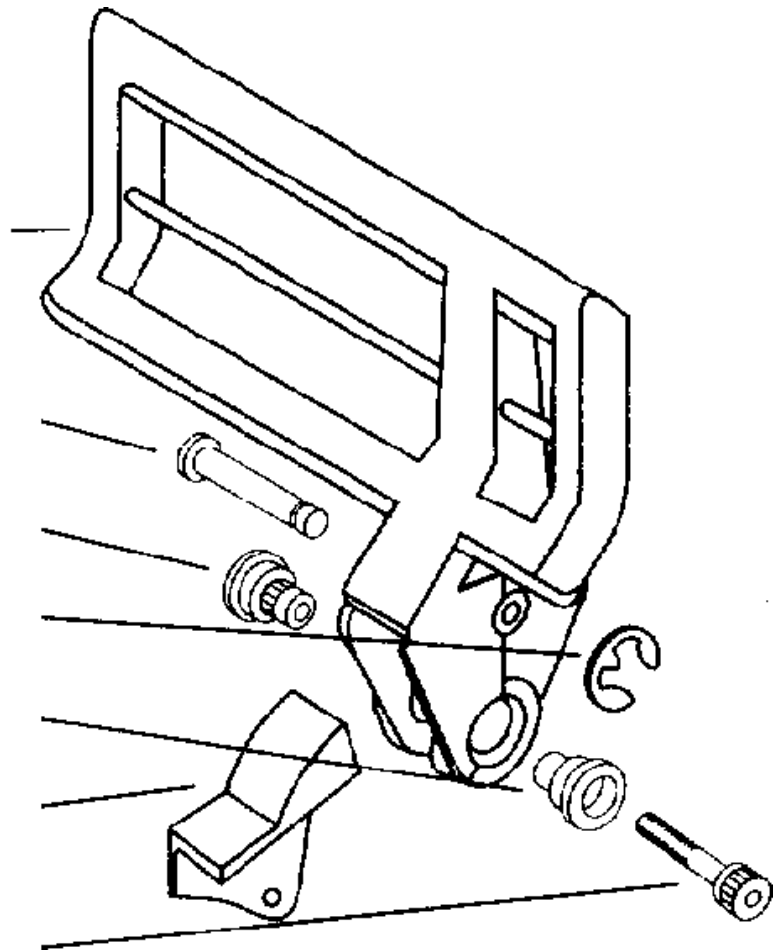
501 76 81-01

735 31 08-20

501 76 80-01

508 04 54-01

725 52 93-56

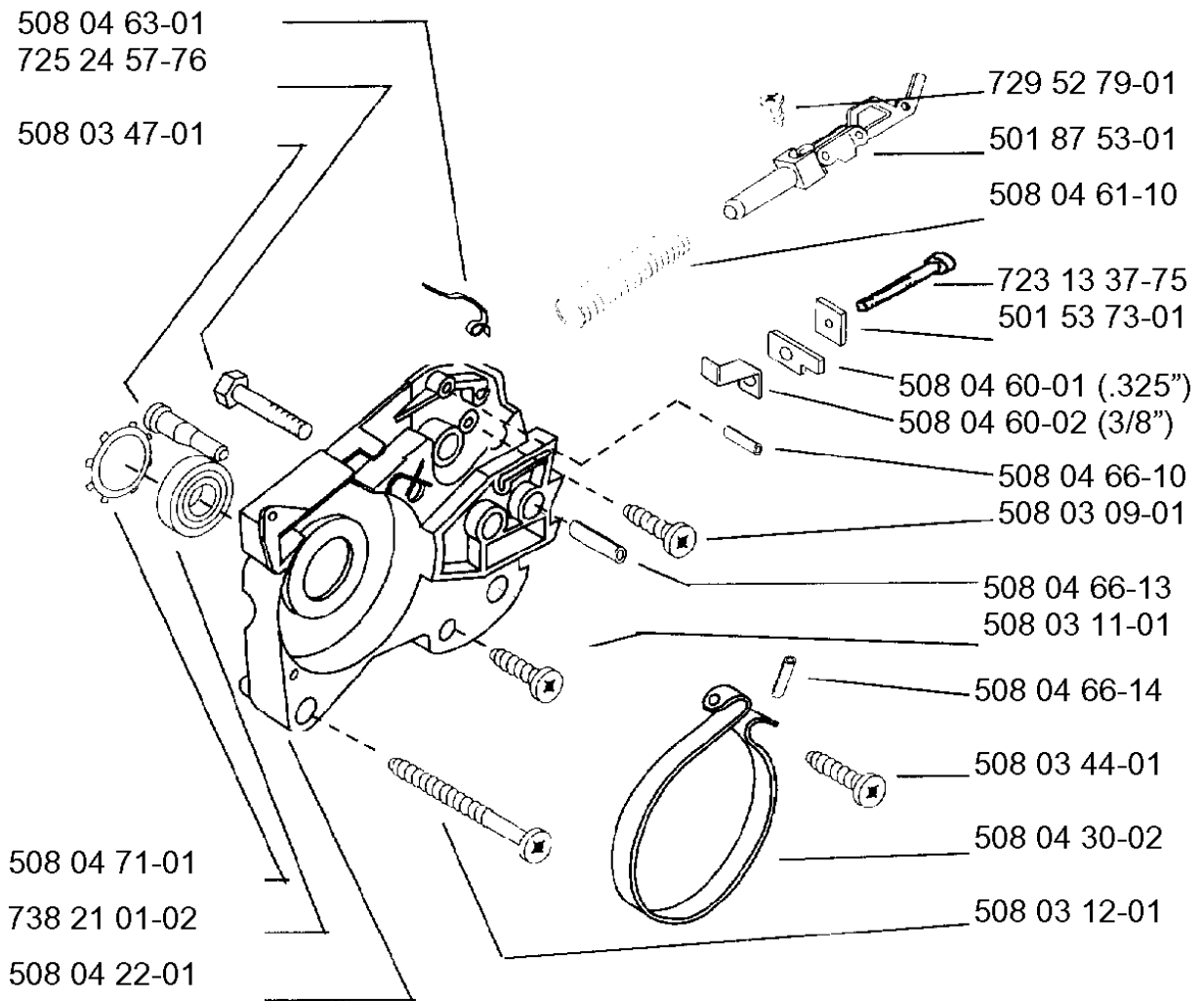


HANDLE

1500 ELECTRIC, 1993-05

Part No	Description	Remark	QTY KIT
501 76 80-01	SHAFT		1
501 76 81-01	SHAFT		1
501 87 49-01	PIVOT PIN		1
508 04 23-01	HAND GUARD		1
508 04 54-01	INSULATOR		1
725 52 93-56	SCREW IHSCM		1
735 31 08-20	E-CLIP		1

E

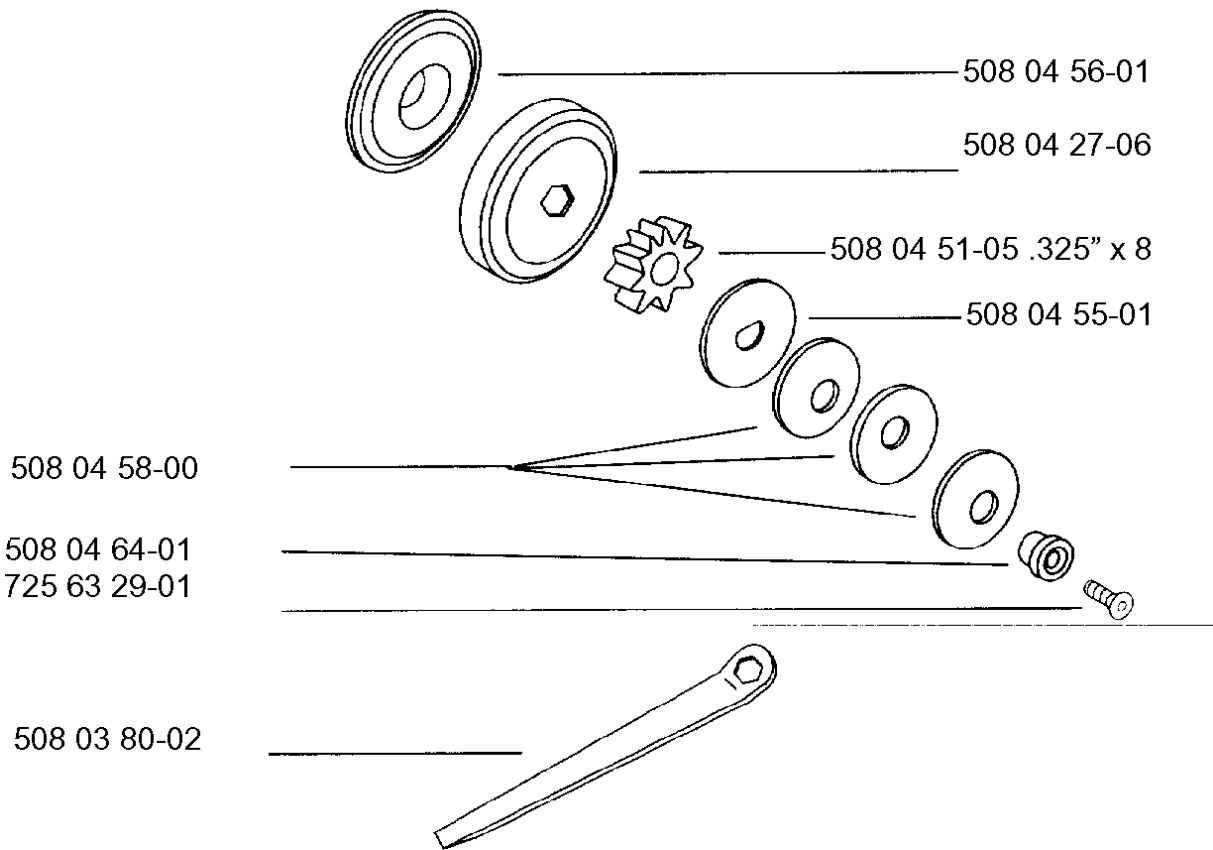


CHAIN BRAKE

1500 ELECTRIC, 1993-05

Part No	Description	Remark	QTY KIT
501 53 73-01	LOCK NUT		1
501 87 53-01	KNEE JOINT ASSY		1
508 03 09-01	SCREW		1
508 03 11-01	SCREW		1
508 03 12-01	SCREW		1
508 03 44-01	SCREW		1
508 03 47-01	CHAIN CATCHER		1
508 04 22-01	BRACKET		1
508 04 30-02	BRAKE BAND		1
508 04 60-01	CHAIN TENSIONER	.325	1
508 04 60-02	CHAIN TENSIONER	3/8	1
508 04 61-10	SPRING		1
508 04 63-01	SPRING		1
508 04 66-10	PEN		1
508 04 66-13	PEN		1
508 04 66-14	SCREW		1
508 04 71-01	WASHER		1
723 13 37-75	SCREW SLCHM		1
725 24 57-76	SCREW EHHM		1
729 52 79-01	SCREW CRPANT		1
738 21 01-02	BALL BEARING		1

G



CLUTCH

1500 ELECTRIC, 1993-05

Part No	Description	Remark	QTY KIT
508 03 80-02	WRENCH		1
508 04 27-06	CLUTCH DRUM		1
508 04 51-05	GEAR	.325 X 8	1
508 04 55-01	PLATE		1
508 04 56-01	PLATE		1
508 04 58-00	WASHER		1
508 04 64-01	CARRIER		1
725 63 29-01	SCREW IHCSFM		1