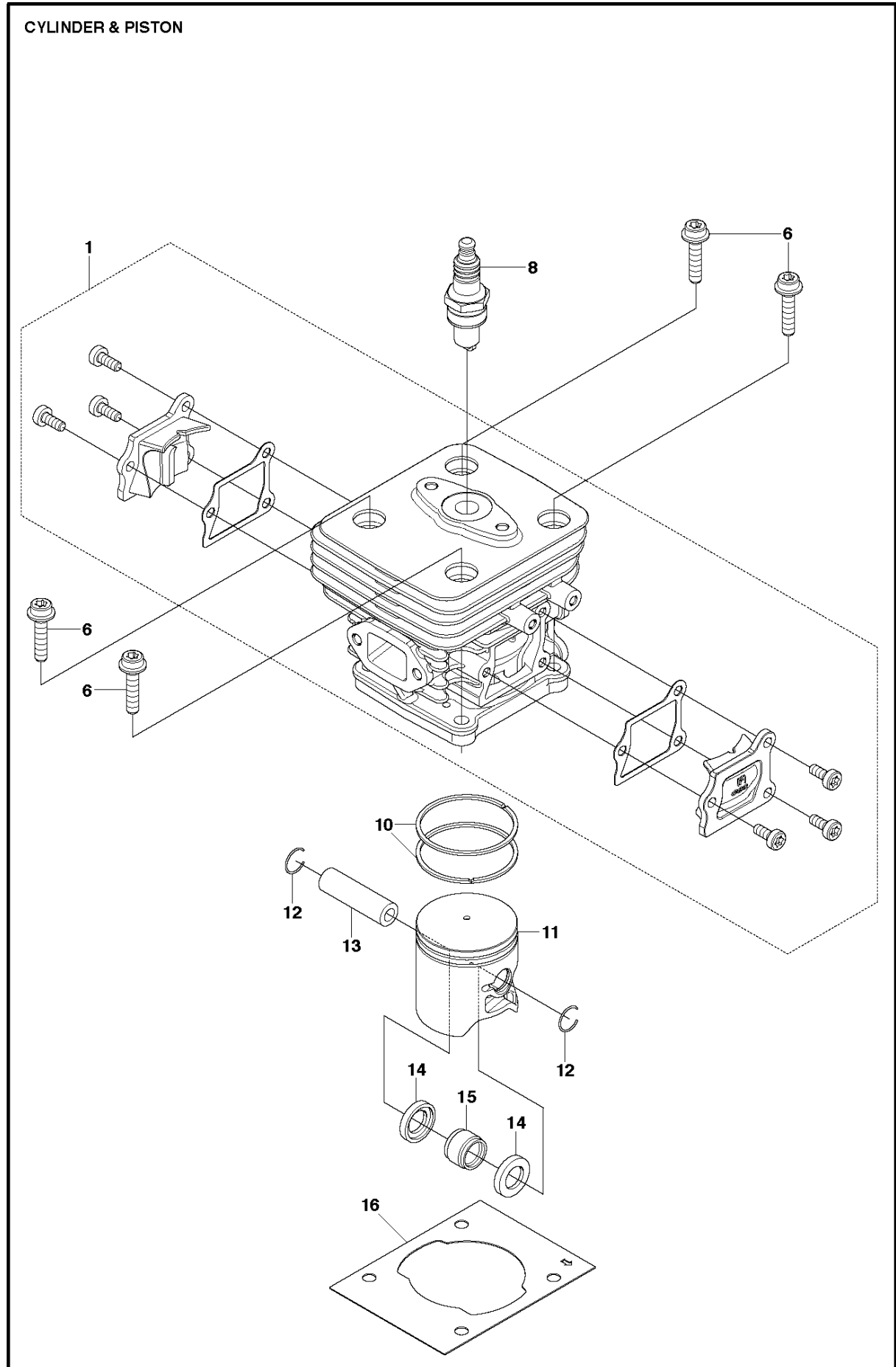




SPARE PARTS LIST

EARTH AUGERS

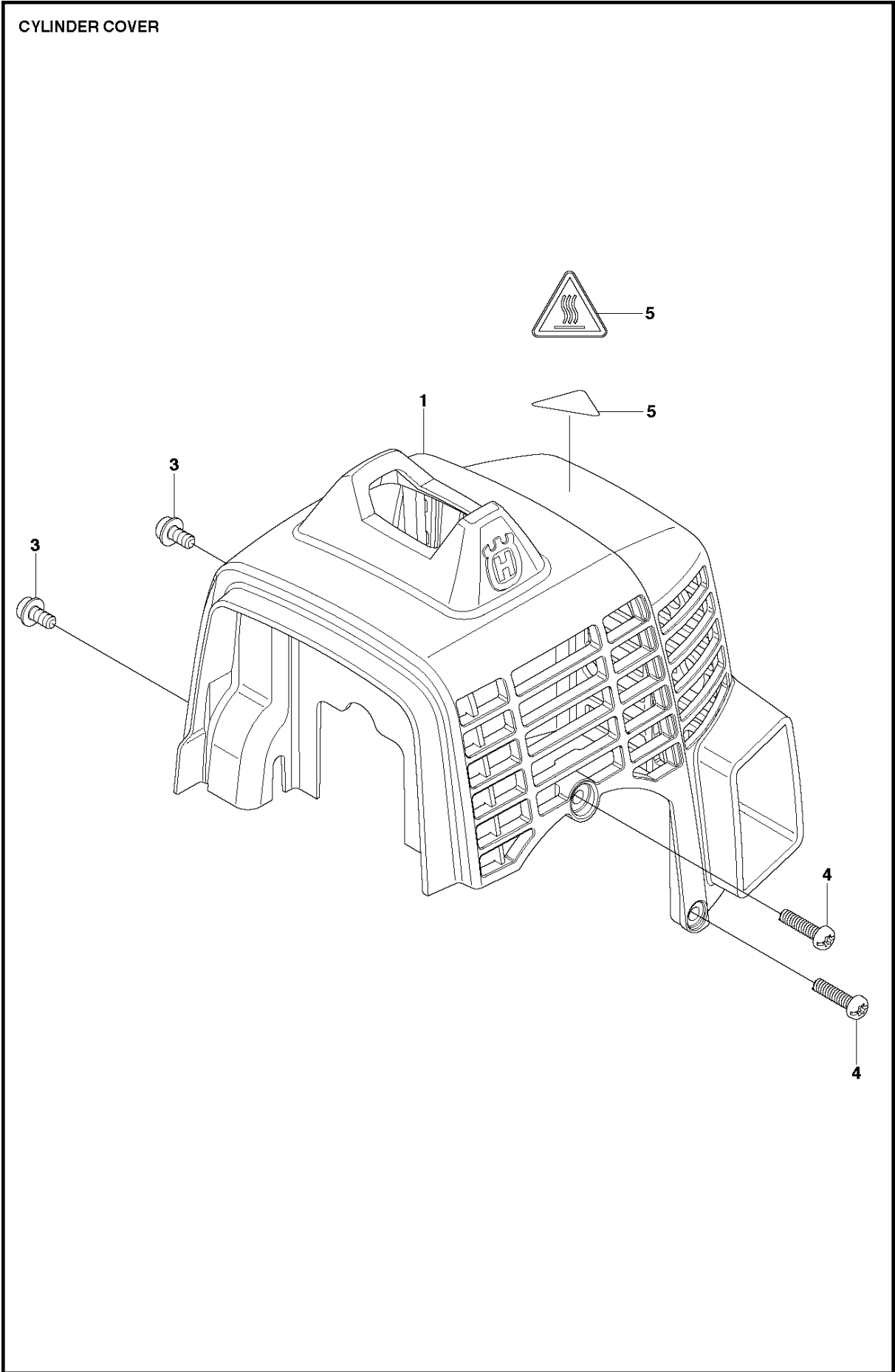
543AE15,



CYLINDER PISTON

543AE15,

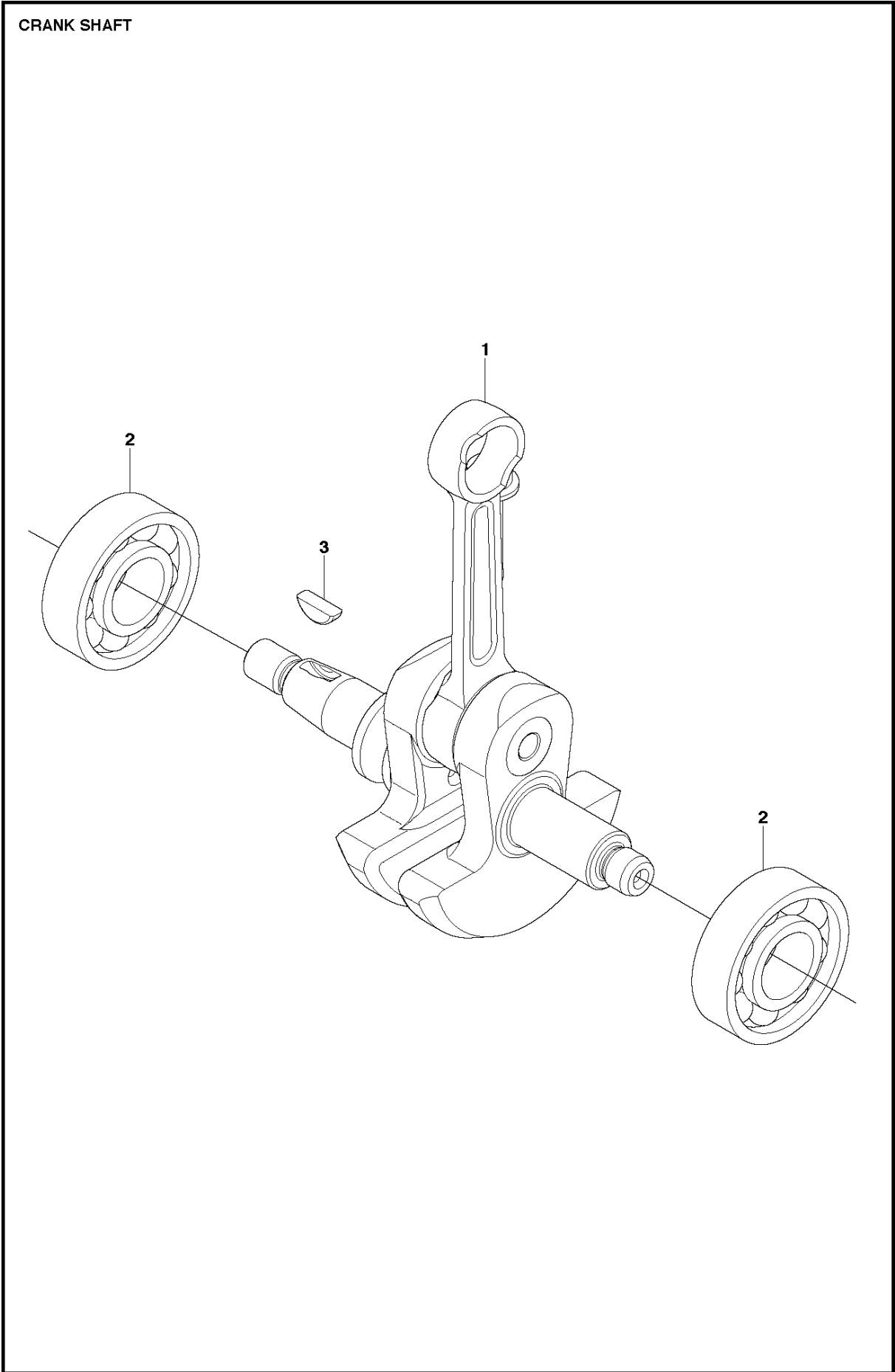
| Ref | Part No | Description | Remark | QTY KIT |
|-----|--------------|-------------|-------------|---------|
| 1 | 577 40 95-02 | CYLINDER | 243R, 543RS | 1 |
| 6 | 506 74 52-01 | BOLT | | 4 |
| 8 | 528 07 40-01 | SPARK PLUG | | 1 |
| 10 | 510 91 80-01 | PISTON RING | | 2 |
| 11 | 577 63 98-01 | PISTON | 243R, 543RS | 1 |
| 12 | 516 28 30-01 | RING | | 2 |
| 13 | 521 52 27-01 | PEN | | 1 |
| 14 | 513 75 24-01 | WASHER | | 2 |
| 15 | 505 29 73-01 | BEARING | | 1 |
| 16 | 521 62 20-01 | GASKET | | 1 |



CYLINDER COVER

543AE15,

| Ref | Part No | Description | Remark | QTY KIT |
|-----|--------------|-------------|--------|---------|
| 1 | 579 34 95-01 | COVER | | 1 |
| 3 | 521 51 59-01 | BOLT | | 2 |
| 4 | 521 86 36-01 | SCREW | | 2 |
| 5 | 521 55 36-01 | LABEL | | 1 |

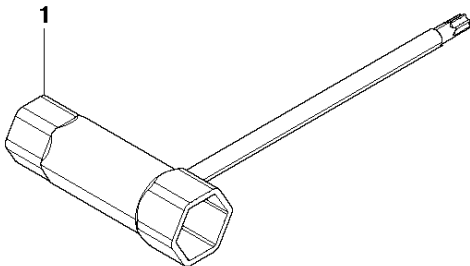


CRANKSHAFT

543AE15,

| Ref | Part No | Description | Remark | QTY KIT |
|-----|--------------|-------------|--------|---------|
| 1 | 521 62 39-01 | SHAFT-COMP | | 1 |
| 2 | 504 12 14-01 | BEARING | | 2 |
| 3 | 506 68 94-01 | KEY | | 1 |

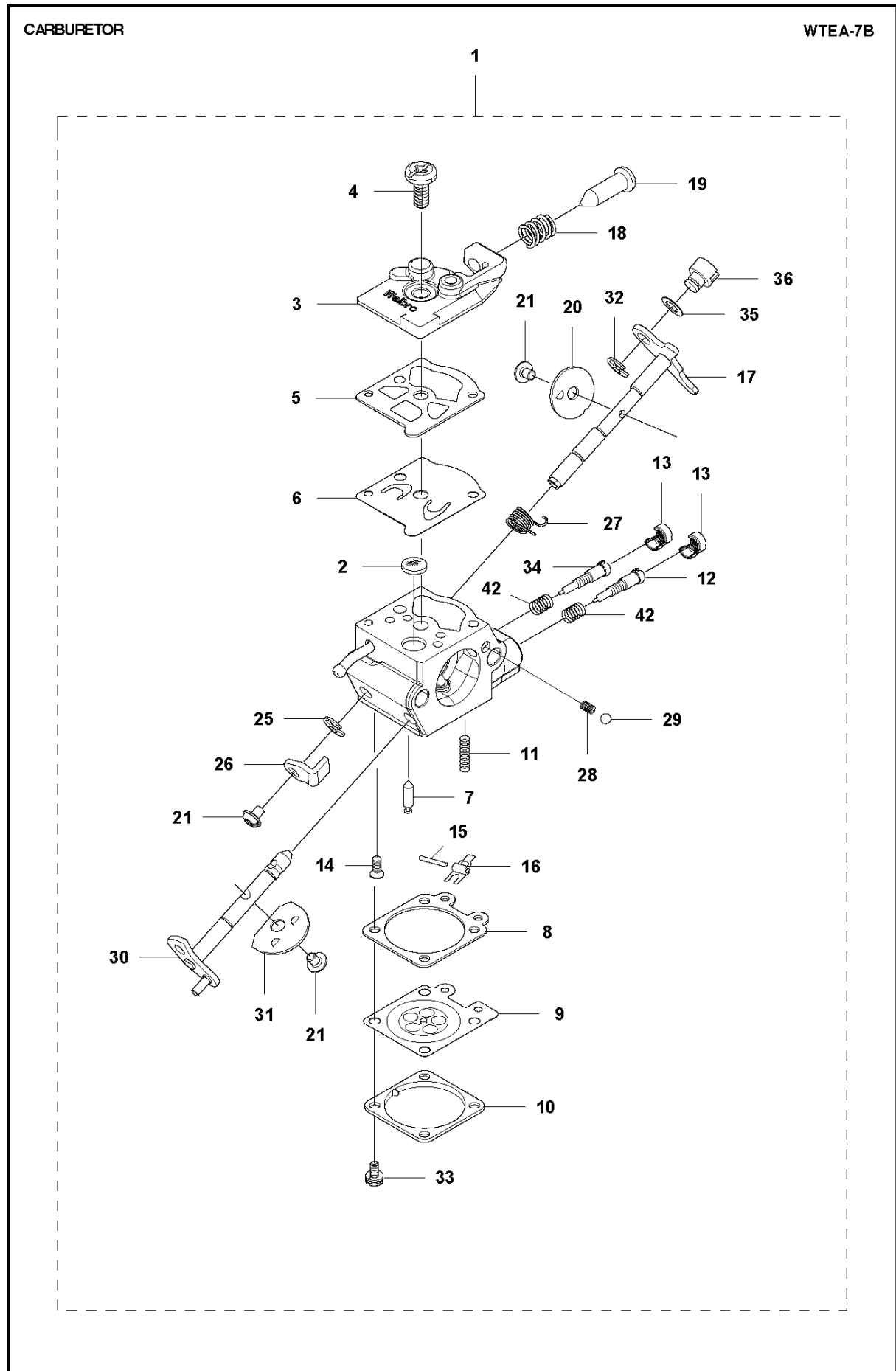
ACCESSORIES - 2



ACCESSORIES

543AE15,

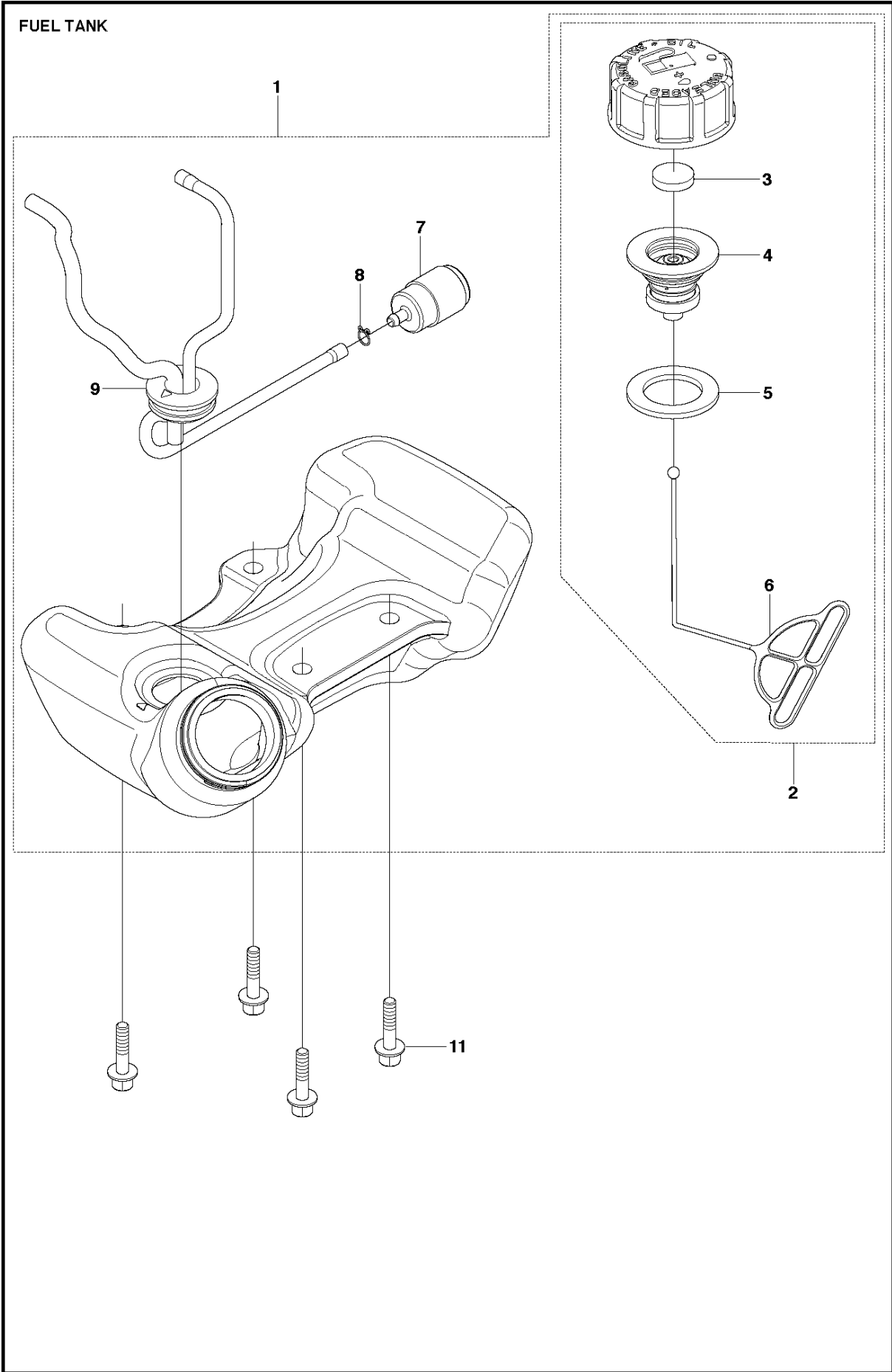
| Ref | Part No | Description | Remark | QTY KIT |
|-----|--------------|-------------|--------|---------|
| 1 | 521 53 31-01 | SOCKET | | 1 |



CARBURETOR

543AE15,

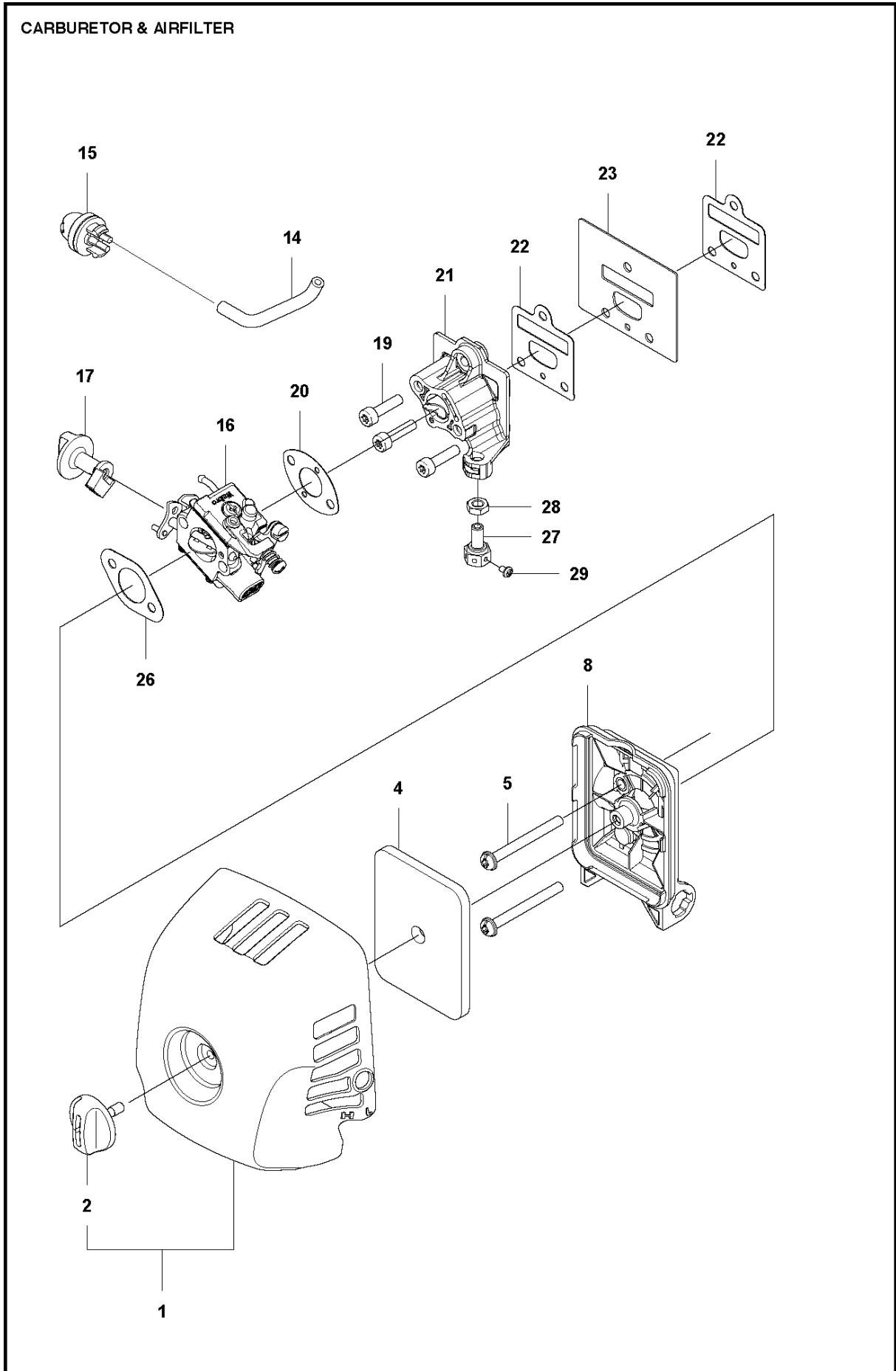
| Ref | Part No | Description | Remark | QTY KIT | |
|-----|--------------|----------------|---------|---------|---|
| 1 | 577 99 28-05 | CARBURETTOR | WTEA-7B | 1 | |
| 2 | 520 95 70-01 | SCREEN | | 1 | 1 |
| 3 | 577 80 69-01 | COVER | | 1 | 1 |
| 4 | 520 97 63-01 | SCREW | | 1 | 1 |
| 5 | 520 95 48-01 | GASKET | | 1 | 1 |
| 6 | 520 95 49-01 | DIAPHRAGM | | 1 | 1 |
| 7 | 521 08 54-01 | VALVE.INLET | | 1 | 1 |
| 8 | 516 97 21-01 | GASKET | | 1 | 1 |
| 9 | 577 80 70-01 | DIAPHRAGM | | 1 | 1 |
| 10 | 514 18 92-01 | COVER | | 1 | 1 |
| 11 | 578 89 54-01 | SPRING | | 1 | 1 |
| 12 | 578 91 31-01 | NEEDLE | | 1 | 1 |
| 13 | 578 91 30-01 | CAP | | 2 | 1 |
| 14 | 577 80 71-01 | SCREW | | 1 | 1 |
| 15 | 520 97 74-01 | PIN | | 1 | 1 |
| 16 | 577 80 72-01 | LEVER | | 1 | 1 |
| 17 | 578 89 55-01 | SHAFT | | 1 | 1 |
| 18 | 513 59 32-01 | SPRING | | 1 | 1 |
| 19 | 577 81 57-01 | SCREW | | 1 | 1 |
| 20 | 514 25 19-01 | VALVE.THROTTLE | | 1 | 1 |
| 21 | 520 75 98-01 | SCREW | | 3 | 1 |
| 25 | 505 05 65-01 | RING | | 1 | 1 |
| 26 | 577 81 58-01 | LEVER | | 1 | 1 |
| 27 | 577 81 55-01 | SPRING | | 1 | 1 |
| 28 | 514 24 33-01 | SPRING.CHOKE | | 1 | 1 |
| 29 | 514 24 26-01 | BALL | | 1 | 1 |
| 30 | 577 81 64-01 | SHAFT | | 1 | 1 |
| 31 | 579 36 71-01 | VALVE | | 1 | 1 |
| 32 | 506 73 86-01 | RETAINER RING | | 1 | 1 |
| 33 | 520 97 88-01 | SCREW ASSY | | 4 | 1 |
| 34 | 578 91 29-01 | NEEDLE | | 1 | 1 |
| 35 | 516 52 42-01 | WASHER | | 1 | 1 |
| 36 | 513 40 08-01 | SWIVEL | | 1 | 1 |
| 42 | 578 91 28-01 | SPRING | SPRING | 2 | 1 |



FUEL TANK

543AE15,

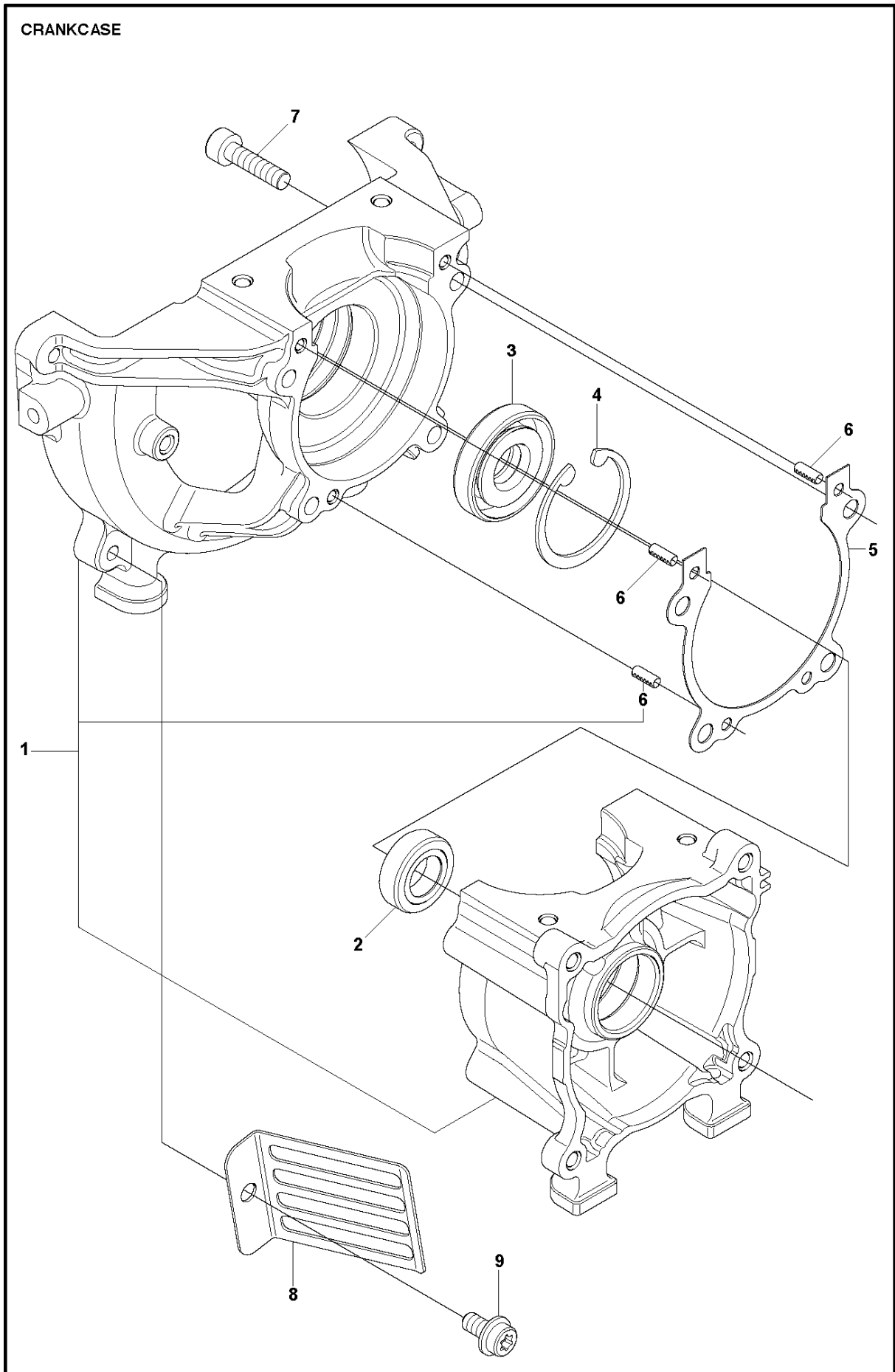
| Ref | Part No | Description | Remark | QTY | KIT |
|-----|--------------|---------------|-------------|-----|-----|
| 1 | 577 50 98-03 | TANK | 243R, 543RS | 1 | |
| 2 | 504 11 77-01 | TANK CAP ASSY | | 1 | 1 |
| 3 | 506 74 68-01 | FILTER | | 1 | 1,2 |
| 4 | 515 36 94-01 | HOLDER | | 1 | 1,2 |
| 5 | 506 74 43-01 | PACKING | | 1 | 1,2 |
| 6 | 504 11 79-01 | HOLDER | | 1 | 1,2 |
| 7 | 506 61 46-01 | FILTER | | 1 | 1 |
| 8 | 506 70 70-01 | CLIP | | 1 | 1 |
| 9 | 577 50 99-02 | PIPE | 243R, 543RS | 1 | 1 |
| 11 | 512 84 56-01 | BOLT | | 4 | |



CARBURETOR & AIR FILTER

543AE15,

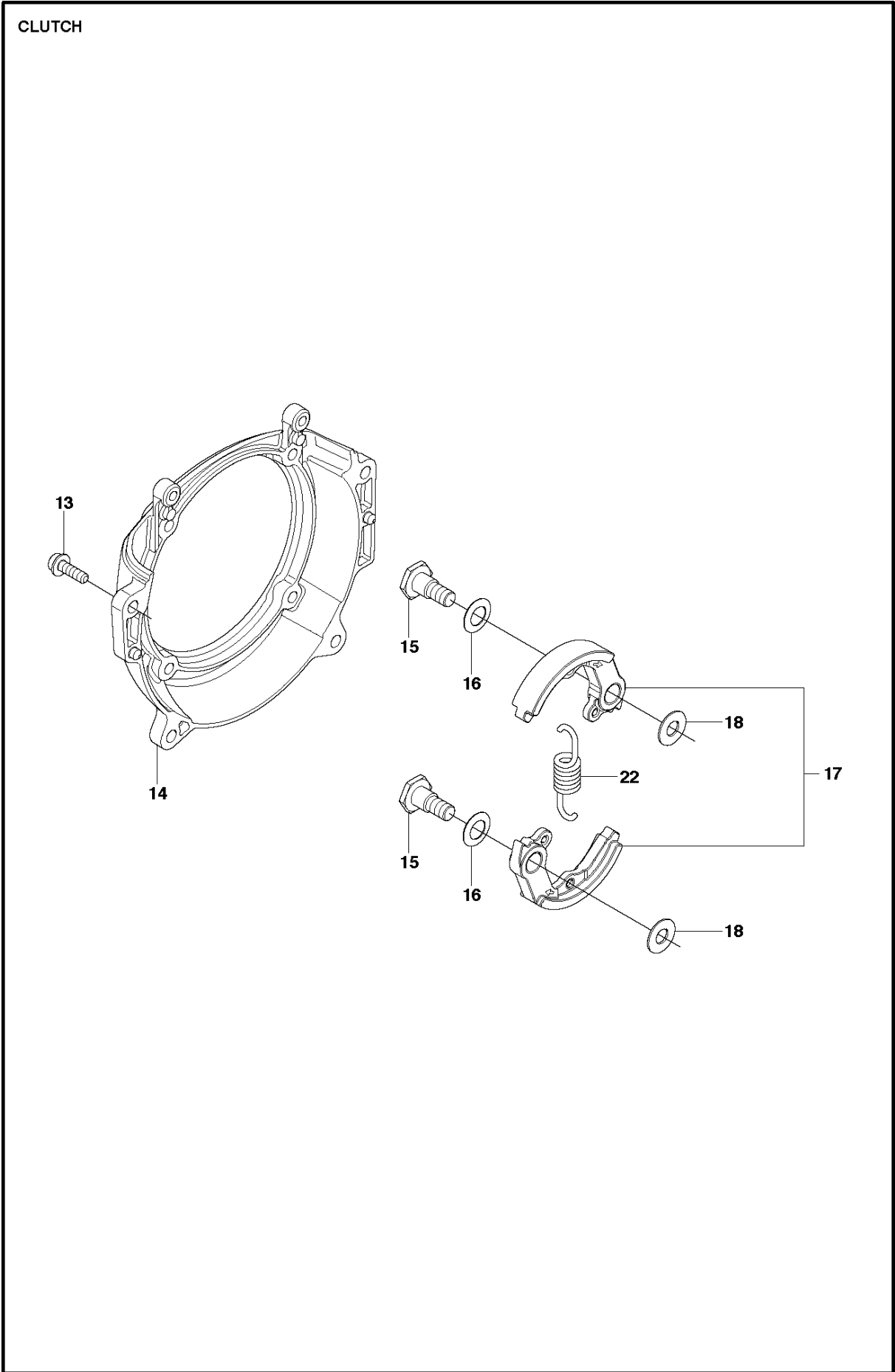
| Ref | Part No | Description | Remark | QTY | KIT |
|-----|--------------|------------------|--------|-----|-----|
| 1 | 577 98 00-01 | AIR FILTER COVER | | 1 | |
| 2 | 577 97 98-01 | TURNING KNOB | | 1 | 1 |
| 4 | 577 92 67-01 | AIR FILTER | | 1 | |
| 5 | 521 51 55-01 | SCREW | | 2 | |
| 8 | 576 68 55-01 | FILTER HOUSING | | 1 | |
| 14 | 577 50 95-01 | TUBE | | 1 | |
| 15 | 513 78 93-01 | PUMP | | 1 | |
| 16 | 577 99 28-05 | CARBURETTOR | | 1 | |
| 17 | 577 13 31-01 | CHOKE CONTROL | | 1 | |
| 19 | 506 68 90-01 | BOLT | | 3 | |
| 20 | 577 67 38-01 | GASKET | | 1 | |
| 21 | 576 68 58-01 | INSULATOR | | 1 | |
| 22 | 576 78 54-01 | GASKET | | 2 | |
| 23 | 578 11 53-01 | PLATE | | 1 | |
| 26 | 577 88 24-02 | GASKET | | 1 | |
| 27 | 580 41 67-01 | SCREW | | 1 | |
| 28 | 510 48 74-01 | NUT | | 1 | |
| 29 | 505 30 83-01 | SCREW | | 1 | |



CRANKCASE

543AE15,

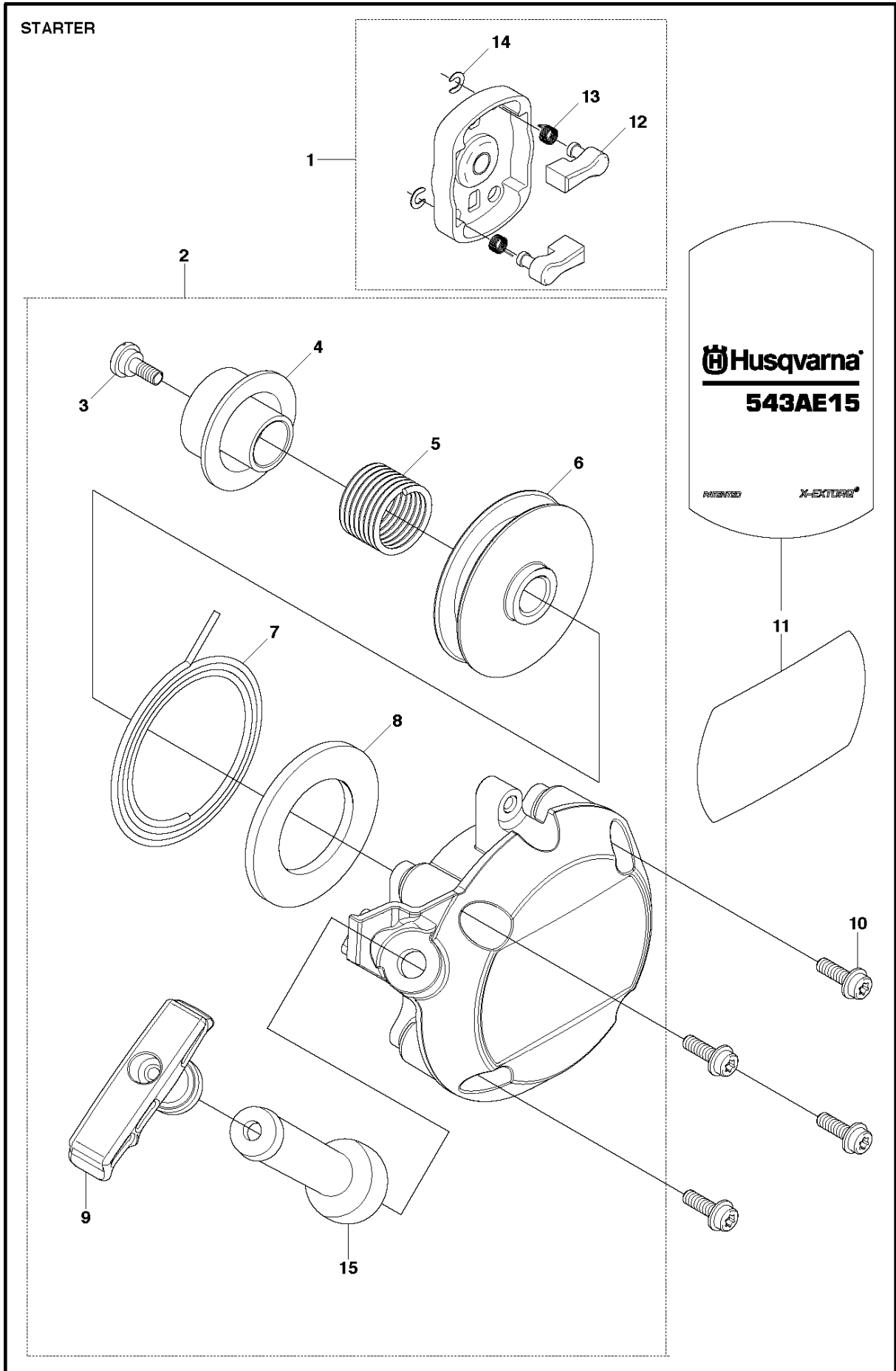
| Ref | Part No | Description | Remark | QTY | KIT |
|-----|--------------|-------------|--------|-----|-----|
| 1 | 521 62 35-03 | CASE | | 1 | |
| 2 | 504 12 15-01 | SEALING | | 1 | |
| 3 | 505 29 67-01 | SEAL | | 1 | |
| 4 | 504 12 10-01 | SNAP RING | | 1 | |
| 5 | 521 62 36-01 | GASKET | | 1 | |
| 6 | 505 29 61-01 | PIN | | 3 | 1 |
| 7 | 504 11 43-01 | SCREW | | 4 | |
| 8 | 515 41 26-01 | GUARD | | 1 | |
| 9 | 521 51 59-01 | BOLT | | 1 | |



CLUTCH

543AE15,

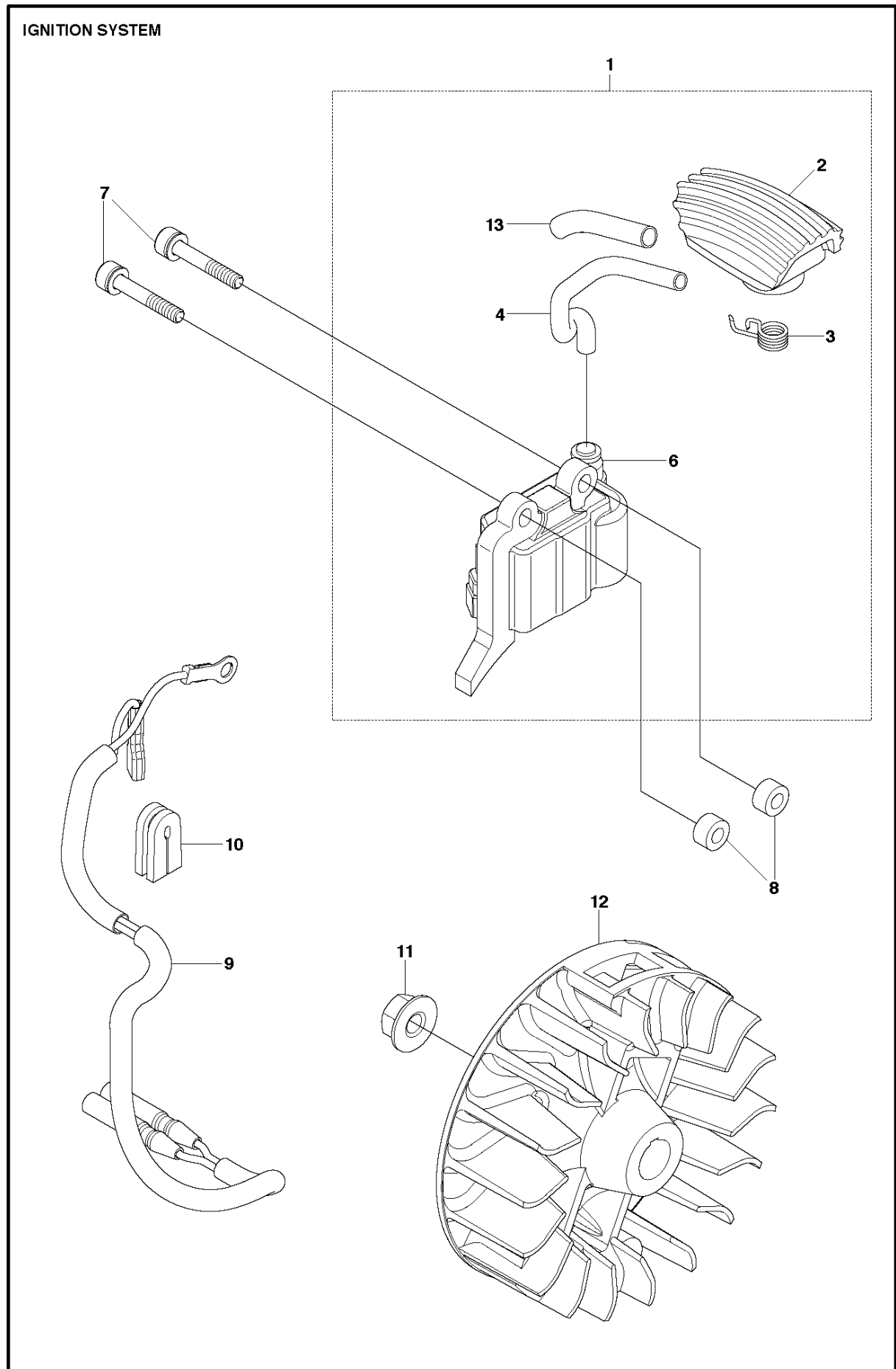
| Ref | Part No | Description | Remark | QTY KIT |
|-----|--------------|-------------|--------|---------|
| 13 | 515 39 13-01 | BOLT | | 4 |
| 14 | 578 85 42-03 | FAN COVER | | 1 |
| 15 | 505 29 78-01 | SCREW | | 2 |
| 16 | 505 29 81-01 | WASHER | | 2 |
| 17 | 521 63 64-01 | SHOE | | 1 |
| 18 | 505 29 80-01 | WASHER | | 2 |
| 22 | 521 52 34-01 | SPRING | | 1 |



STARTER

543AE15,

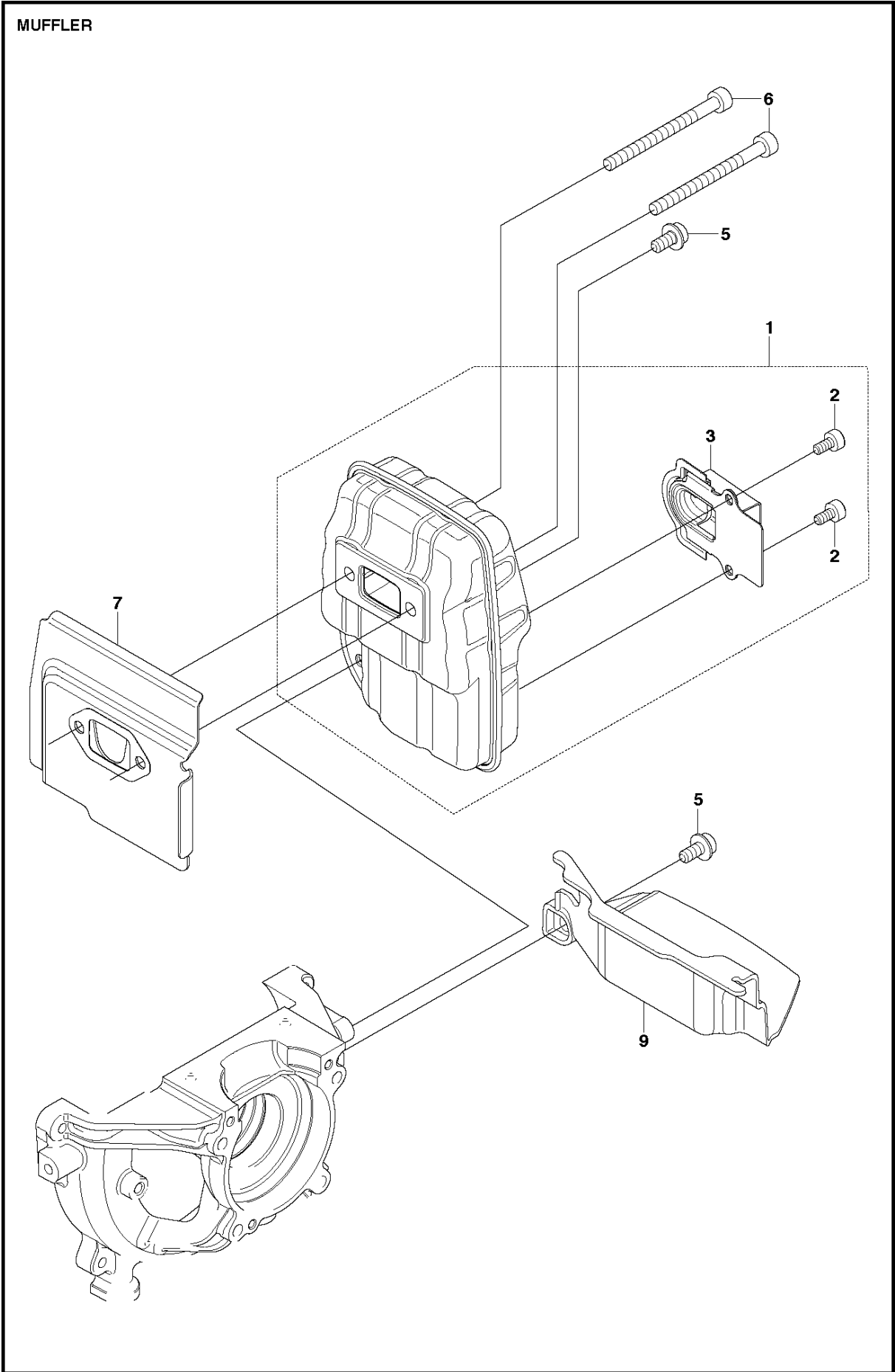
| Ref | Part No | Description | Remark | QTY | KIT |
|-----|--------------|---------------|---------|-----|-----|
| 1 | 521 62 46-01 | PULEY-ASSY | | 1 | |
| 2 | 581 93 61-01 | STARTER ASSY | | 1 | |
| 3 | 515 36 71-01 | SCREW | | 1 | 2 |
| 4 | 521 61 85-01 | PLATE | | 1 | 2 |
| 5 | 521 61 84-01 | SPRING | | 1 | 2 |
| 6 | 521 61 83-01 | REEL | | 1 | 2 |
| 7 | 584 64 66-01 | STARTER ROPE | | 1 | 2 |
| 8 | 584 85 97-01 | SPIRAL SPRING | | 1 | 2 |
| 9 | 521 61 79-01 | KNOB | | 1 | 2 |
| 10 | 506 74 56-01 | BOLT | | 4 | |
| 11 | 581 93 58-01 | DECAL | 543AE15 | 1 | |
| 12 | 521 61 86-01 | RATCHET | | 2 | 1 |
| 13 | 521 61 87-01 | SPRING | | 2 | 1 |
| 14 | 513 16 77-01 | E-RING | | 2 | 1 |
| 15 | 513 37 51-01 | ADAPTER | | 1 | 1 |



IGNITION SYSTEM

543AE15,

| Ref | Part No | Description | Remark | QTY | KIT |
|-----|--------------|----------------------|-------------|-----|-----|
| 1 | 577 13 39-02 | IGNITION MODULE ASSY | 243R, 543RS | 1 | |
| 2 | 521 61 00-01 | HUB CAP | | 1 | 1 |
| 3 | 506 65 52-01 | SPRING | | 1 | 1 |
| 4 | 585 09 47-01 | IGNITION CABLE | 243R, 543RS | 1 | |
| 6 | 505 04 28-01 | HUB CAP | | 1 | 1 |
| 7 | 521 51 58-01 | BOLT | | 2 | |
| 8 | 521 76 97-01 | SPACER | | 2 | |
| 9 | 577 57 49-01 | CORD | 243R, 543RS | 1 | |
| 10 | 506 61 59-01 | GROMMET | | 1 | |
| 11 | 504 11 80-01 | NUT | | 1 | |
| 12 | 583 91 89-01 | FLYWHEEL | 243R, 543RS | 1 | |
| 13 | 579 45 36-01 | TUBE | 243R, 543RS | 1 | |

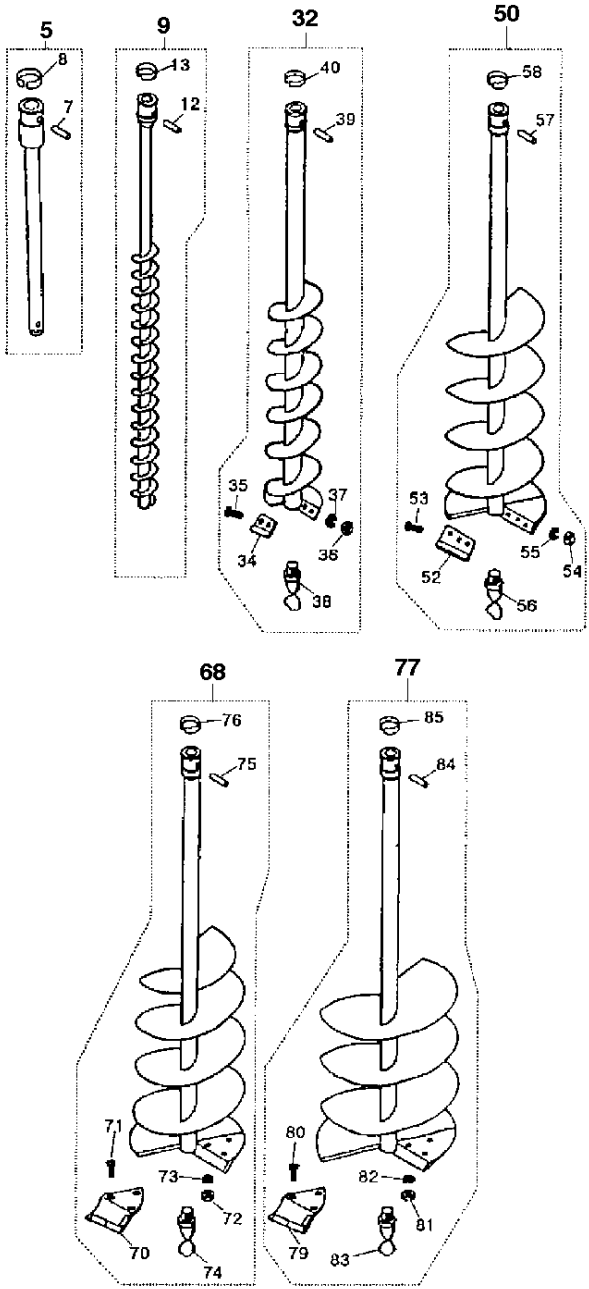


MUFFLER

543AE15,

| Ref | Part No | Description | Remark | QTY | KIT |
|-----|--------------|---------------|-------------|-----|-----|
| 1 | 577 98 03-01 | MUFFLER | 243R, 543RS | 1 | |
| 2 | 544 36 27-01 | BOLT | | 2 | 1 |
| 3 | 521 62 34-01 | GUIDE | | 1 | 1 |
| 5 | 521 51 59-01 | BOLT | | 2 | |
| 6 | 504 11 43-01 | SCREW | 243R, 543RS | 2 | |
| 7 | 577 80 41-01 | GASKET | | 1 | |
| 9 | 586 34 84-01 | MUFFLER GUARD | | 1 | |

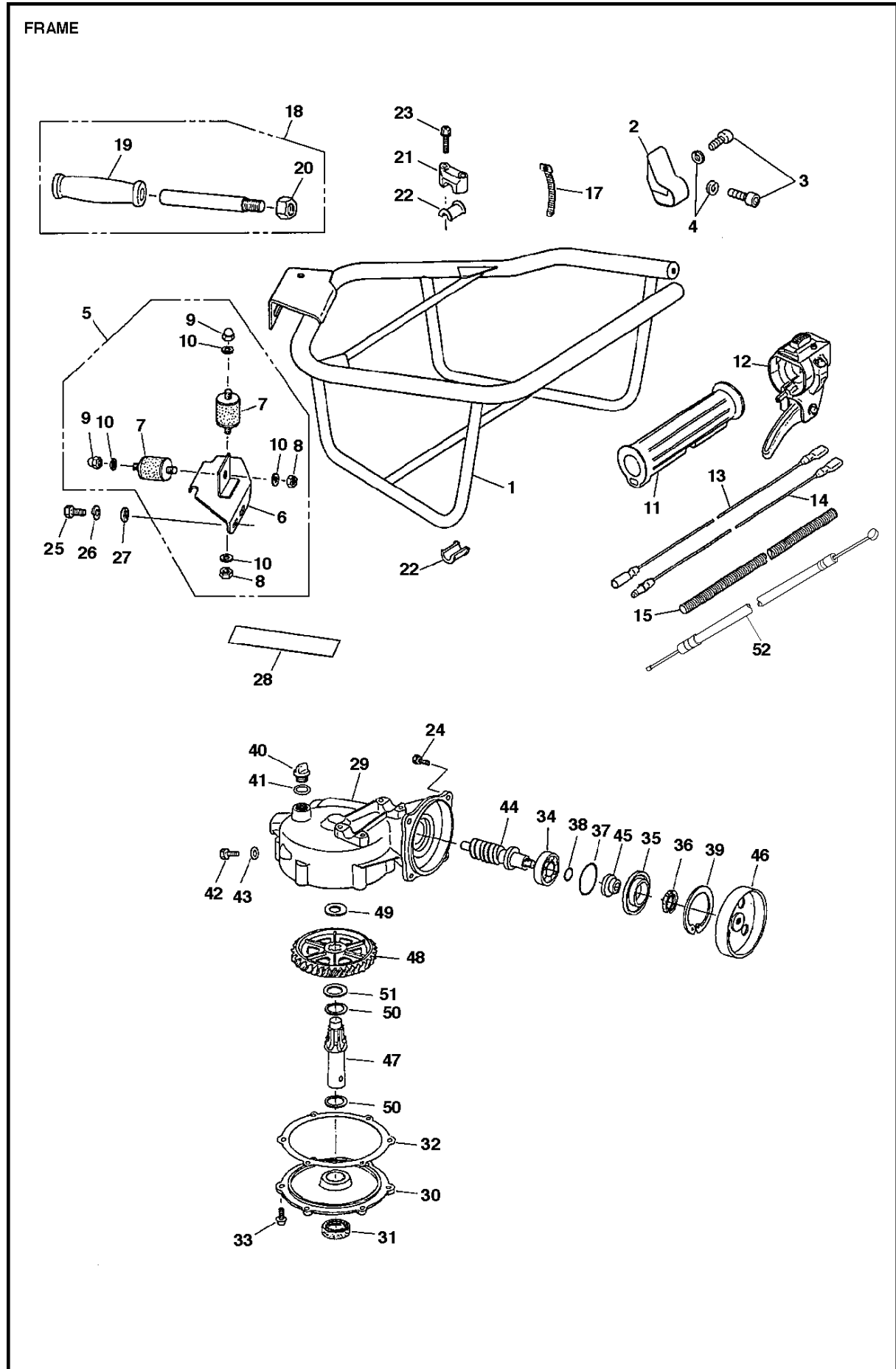
ACCESSORIES - 1



ACCESSORIES

543AE15,

| Ref | Part No | Description | Remark | QTY | KIT |
|-----|--------------|-------------|--------|-----|-----|
| 5 | 574 88 43-01 | JOINT | | 1 | |
| 7 | 514 13 03-01 | PEN | | 1 | |
| 8 | 514 13 04-01 | CLIP | | 1 | |
| 9 | 966 42 19-01 | ATTACHMENT | | 1 | |
| 12 | 514 13 03-01 | PEN | | 1 | 9 |
| 13 | 514 13 04-01 | CLIP | | 1 | 9 |
| 32 | 966 42 20-01 | ATTACHMENT | | 1 | |
| 34 | 514 14 04-01 | TIP.S90 | | 1 | 32 |
| 35 | 516 06 93-01 | SCREW | | 2 | 32 |
| 36 | 510 48 61-01 | NUT | | 2 | 32 |
| 37 | 510 48 80-01 | WASHER | | 2 | 32 |
| 38 | 514 14 10-01 | BIT | | 1 | 32 |
| 39 | 514 13 03-01 | PEN | | 1 | 32 |
| 40 | 514 13 04-01 | CLIP | | 1 | 32 |
| 50 | 966 42 21-01 | ATTACHMENT | | 1 | |
| 52 | 514 14 09-01 | TIP.S150 | | 1 | 50 |
| 53 | 516 06 93-01 | SCREW | | 3 | 50 |
| 54 | 510 48 61-01 | NUT | | 3 | 50 |
| 55 | 510 48 80-01 | WASHER | | 3 | 50 |
| 56 | 514 14 10-01 | BIT | | 1 | 50 |
| 57 | 514 13 03-01 | PEN | | 1 | 50 |
| 58 | 514 13 04-01 | CLIP | | 1 | 50 |
| 68 | 966 51 16-01 | ATTACHMENT | | 1 | |
| 70 | 514 13 46-01 | TIP.S250 | | 1 | 68 |
| 71 | 516 06 93-01 | SCREW | | 3 | 68 |
| 72 | 510 48 61-01 | NUT | | 3 | 68 |
| 73 | 510 48 80-01 | WASHER | | 3 | 68 |
| 74 | 514 14 10-01 | BIT | | 1 | 68 |
| 75 | 514 13 03-01 | PEN | | 1 | 68 |
| 76 | 514 13 04-01 | CLIP | | 1 | 68 |
| 77 | 966 51 17-01 | ATTACHMENT | | 1 | |
| 79 | 514 13 55-01 | TIP.S300 | | 1 | 77 |
| 80 | 516 06 93-01 | SCREW | | 3 | 77 |
| 81 | 510 48 61-01 | NUT | | 3 | 77 |
| 82 | 510 48 80-01 | WASHER | | 3 | 77 |
| 83 | 514 14 10-01 | BIT | | 1 | 77 |
| 84 | 514 13 03-01 | PEN | | 1 | 77 |
| 85 | 514 13 04-01 | CLIP | | 1 | 77 |



| Ref | Part No | Description | Remark | QTY | KIT |
|-----|--------------|----------------|--------|-----|-----|
| 1 | 510 99 13-01 | FRAME | | 1 | |
| 2 | 521 84 59-01 | BRACKET | | 1 | |
| 3 | 516 07 26-01 | BOLT | | 2 | |
| 4 | 516 07 68-01 | SPRING WASHER | | 2 | |
| 5 | 526 42 88-01 | BRACKET | | 1 | |
| 6 | 514 13 85-01 | BRACKET | | 1 | 5 |
| 7 | 514 13 86-01 | MOUNT | | 2 | 5 |
| 8 | 510 48 61-01 | NUT | | 2 | 5 |
| 9 | 513 16 31-01 | NUT | | 2 | 5 |
| 10 | 510 48 80-01 | WASHER | | 4 | 5 |
| 11 | 514 39 43-01 | GRIP | | 1 | |
| 12 | 521 52 96-01 | LEVER ASSY | | 1 | |
| 13 | 579 05 44-01 | WIRING | | 1 | |
| 14 | 579 05 45-01 | WIRING | | 1 | |
| 15 | 579 05 46-01 | TUBE | | 1 | |
| 17 | 514 36 40-01 | BAND | | 1 | |
| 18 | 514 13 63-01 | HANDLE | | 1 | |
| 19 | 515 36 10-01 | GRIP | | 1 | 18 |
| 20 | 510 48 69-01 | NUT | | 1 | 18 |
| 21 | 574 00 06-01 | HOLDER | | 2 | |
| 22 | 514 13 80-01 | SPACER | | 4 | |
| 23 | 510 45 77-01 | BOLT | | 4 | |
| 24 | 505 31 24-01 | BOLT | | 4 | |
| 25 | 516 06 67-01 | BOLT | | 2 | |
| 26 | 510 48 80-01 | WASHER | | 2 | |
| 27 | 516 07 90-01 | WASHER | | 2 | |
| 28 | 574 43 49-01 | LABEL | | 1 | |
| 29 | 574 00 02-01 | GEAR | | 1 | |
| 30 | 574 00 04-01 | COVER | | 1 | |
| 31 | 513 41 11-01 | SEAL | | 1 | |
| 32 | 514 13 09-01 | GASKET | | 1 | |
| 33 | 510 47 07-01 | SCREW | | 6 | |
| 34 | 516 12 90-01 | BEARING | | 1 | |
| 35 | 514 13 10-01 | RETAINER | | 1 | |
| 36 | 514 13 12-01 | SEAL | | 1 | |
| 37 | 514 12 97-01 | O-RING | | 1 | |
| 38 | 516 13 47-01 | O-RING | | 1 | |
| 39 | 516 12 66-01 | SNAP RING | | 1 | |
| 40 | 514 13 17-01 | PLUG | | 1 | |
| 41 | 513 55 03-01 | O-RING | | 1 | |
| 42 | 510 44 75-01 | BOLT | | 1 | |
| 43 | 516 13 75-01 | PACKING | | 1 | |
| 44 | 514 13 76-01 | WORM | | 1 | |
| 45 | 514 12 98-01 | COLLAR | | 1 | |
| 46 | 576 24 52-01 | DRUM | | 1 | |
| 47 | 514 13 79-01 | SHAFT | | 1 | |
| 48 | 514 13 77-01 | WHEEL | | 1 | |
| 49 | 514 13 00-01 | WASHER | | 1 | |
| 50 | 514 13 24-01 | WASHER | | 2 | |
| 51 | 514 13 02-01 | SHIM | | 3 | |
| 52 | 579 05 47-01 | THROTTLE CABLE | | 1 | |